

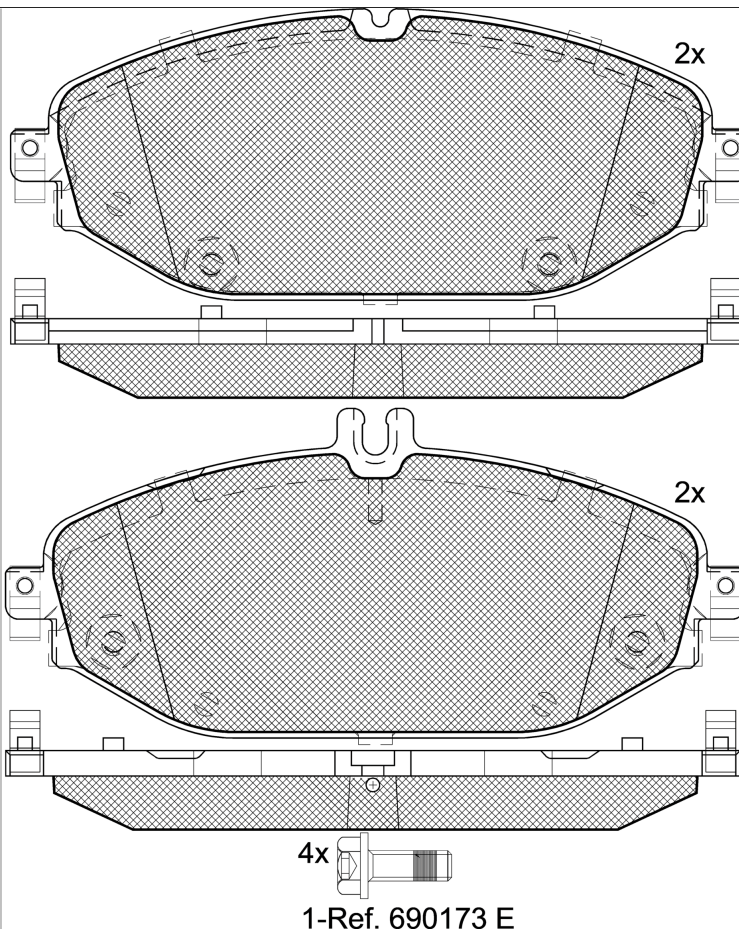
# LISTA DE APLICACIONES - BUYERS GUIDE

## RB2213



Qty: 300

Weight: 2.950



## RB2213

E 9 90R-02A0111/4269



Trw

175.1x69x19.3

175.1x78x19.3

O.E.M.	MAKE
000 420 73 02	MERCEDES-BENZ
000 420 91 03	MERCEDES-BENZ
000 420 93 00	MERCEDES-BENZ
008 420 28 20	MERCEDES-BENZ
008 420 38 20	MERCEDES-BENZ
A0084203620	-

WVA	FMSI
22076	D1794-9023
22097	
25536	
25537	

Sin Filas



Trac.	CC	Kw	CV
-------	----	----	----



Front / Rear

### MERCEDES-BENZ

						Cabrio (Compact executive car-D Segment)				
<b>C-Class IV (A205) 06.16-</b>										
C 250 (205.445) (M 274.920)		Gasolina	RWD	1991	155	211	06.16-05.18	*		
C 300 (205.448) (M 274.920)		Gasolina	RWD	1991	180	245	06.16-05.18	*		
C 300 4-matic (205-449) (M 274.920)		Gasolina	4WD	1991	180	245	01.17-12.18	*		
C 300 (205.483) (M 264.920)		Gasolina	RWD	1991	190	258	05.18-04.23	*		
C 300 4-matic (205-484) (M 264.920)		Gasolina	4WD	1991	190	258	05.18-	*		
C 300 EQ Boost (205.483) (M 264.920)		Gasol./el éc.	RWD	1991	190	258	05.19-04.23	*		
C 300 EQ Boost 4-matic (205.484) (M 264.920)		Gasol./el éc.	4WD	1991	190	258	05.19-04.23	*		
C 300 d (205.418) (OM 654.920)		Diesel	RWD	1950	180	245	07.18-04.23	*		
C 250 d (205.408) (OM 651.921)		Diesel	RWD	2143	150	204	06.16-05.18	*		
<b>C-Class IV (C205) 10.15-</b>						<b>Coupé (Compact executive car-D Segment)</b>				
C 180 (205.340) (M 274.910)		Gasolina	RWD	1595	115	156	10.15-08.20	*		
C 200 4-matic (205.343) (M 274.920)		Gasolina	4WD	1991	135	184	04.16-05.18	*		
C 250 (205.345) (M 274.920)		Gasolina	RWD	1991	155	211	10.15-05.18	*		
C 300 (205.048)		Gasolina	FWD	1991	180	245	09.16-	*		
C 300 (205.348) (M 274.920)		Gasolina	RWD	1991	180	245	10.15-12.18	*		
C 300 (205.383) (M 264.920)		Gasolina	RWD	1991	190	258	05.18-04.23	*		
C 300 4-matic (205.384) (M 264.920)		Gasolina	4WD	1991	190	258	05.18-04.23	*		
C 300 EQ Boost (205.383) (M 264.920)		Gasol./el éc.	RWD	1991	190	258	05.19-04.23	*		
C 300 EQ Boost 4-matic (205.484) (M 264.920)		Gasol./el éc.	4WD	1991	190	258	05.19-04.23	*		
C 300 d (205.318) (OM 654.920)		Diesel	RWD	1950	180	245	07.18-04.23	*		

# LISTA DE APLICACIONES - BUYERS GUIDE

C 300 d 4-matic (205.319) (OM 654.920)		Diesel	4WD	1950	180	245	07.18-04.23	*
C 250 d (205.308) (OM 651.921)		Diesel	RWD	2143	150	204	10.15-05.18	*
C 250 d 4-matic (205.309) (OM 651.921)		Diesel	4WD	2143	150	204	04.16-05.18	*
<b>C-Class IV (W205) 07.13-</b>					<b>Sedán (Compact executive car-D Segment)</b>			
C 200 L (205.176) (M 264.915)		Gasolina	RWD	1497	115	156	09.19-	*
C 180 (205.040, 205.140) (M 274.910)		Gasolina	RWD	1595	115	156	03.14-03.21	*
C200 (205.042) (M 274.920)		Gasolina	RWD	1991	135	184	12.13-08.18	*
C 250 (205.045) (M 274.920)		Gasolina	RWD	1991	155	211	03.14-05.18	*
C 300 (205.048) (M 274.920)		Gasolina	RWD	1991	180	245	09.15-08.18	*
C 300 (205.048) (M 274.920)		Gasolina	RWD	1991	180	245	06.15-	*
C 300 4-matic (205.049) (M 274.920)		Gasolina	4WD	1991	180	245	12.13-08.18	*
C 300 (205.083) (M 264.920)		Gasolina	RWD	1991	183	249	05.18-05.21	*
C 300 (205.083) (M 264.920)		Gasolina	RWD	1991	190	258	05.18-05.21	*
C 300 (205.083) (M 264.920)		Gasolina	RWD	1991	190	258	10.18-	*
C 300 4-matic (205.084) (M 264.920)		Gasolina	4WD	1991	190	258	05.18-05.21	*
C 300 L (205.183) (M 264.920)		Gasolina	RWD	1991	190	258	10.18-	*
C 260 EQ Boost (205.077) (M 264.915)		Gasol./el éc.	RWD	1497	135	184	10.18-	*
C 260 EQ Boost 4-matic (205.078) (M 264.915)		Gasol./el éc.	4WD	1497	135	184	10.18-	*
C 260 L EQ Boost (205.177) (M 264.915)		Gasol./el éc.	RWD	1497	135	184	10.18-	*
C 260 L EQ Boost 4-matic (205.178) (M 264.915)		Gasol./el éc.	4WD	1497	135	184	10.18-	*
C 300 EQ Boost (205.083) (M 264.920)		Gasol./el éc.	RWD	1991	190	258	05.19-05.21	*
C 300 EQ Boost 4-matic (205.484) (M 264.920)		Gasol./el éc.	4WD	1991	190	258	05.19-05.21	*
C 300 BlueTEC Hybrid / h (205.212) (OM 651.921)		Diesel/el éc.	RWD	2143	170	231	05.14-05.18	*
C 180 BlueTEC / d (205.036) (OM 626.951)		Diesel	RWD	1598	85	116	05.14-05.18	*
C 200 BlueTEC / d (205.037) (OM 626.951)		Diesel	RWD	1598	100	136	05.14-05.18	*
C 300 d 4-matic (205.019) (OM 654.920)		Diesel	4WD	1950	180	245	06.18-05.21	*
C 200 d (205.007) (OM 651.921)		Diesel	RWD	2143	100	136	10.15-05.18	*
C 220 BlueTEC / d (205.003) (OM 651.921)		Diesel	RWD	2143	120	163	03.14-05.16	*
C 220 BlueTEC / d (205.003) (OM 651.921)		Diesel	RWD	2143	125	170	02.14-05.18	*
C 250 BlueTEC / d (205.008, 205.006) (OM 651.921)		Diesel	RWD	2143	150	204	02.14-05.18	*
C 250 BlueTEC / d 4-matic (205.209) (OM 651.921)		Diesel	4WD	2143	150	204	02.14-05.18	*
<b>C-Class IV T-Model (S205) 09.14-</b>					<b>[CAMBIADO]:Break (Compact executive car-D Segment)</b>			
C 180 (205.240) (M 274.910)		Gasolina	RWD	1595	115	156	09.14-08.20	*
C 200 (205.242) (M 274.920)		Gasolina	RWD	1991	135	184	09.14-05.18	*
C 250 (205.245) (M 274.920)		Gasolina	RWD	1991	155	211	09.14-05.18	*
C 300 (205.248) (M 274.920)		Gasolina	RWD	1991	180	245	09.15-05.18	*
C 300 (205.283) (M 264.920)		Gasolina	RWD	1991	190	258	05.18-02.21	*
C 300 4-matic (205.284) (M 264.920)		Gasolina	4WD	1991	190	258	05.18-02.21	*
C 300 EQ Boost (205.283) (M 264.920)		Gasol./el éc.	RWD	1991	190	258	05.19-02.21	*
C 300 EQ Boost 4-matic (205.484) (M 264.920)		Gasol./el éc.	4WD	1991	190	258	05.19-02.21	*
C 300 BlueTEC Hybrid / h (205.212) (OM 651.921)		Diesel/el éc.	RWD	2143	150	204	10.14-05.18	*
C 180 BlueTEC / d (205.236) (OM 626.951)		Diesel	RWD	1598	85	116	09.14-05.18	*
C 200 BlueTEC / d (205.237) (OM 626.951)		Diesel	RWD	1598	100	136	09.14-05.18	*
C 300 d 4-matic (205.219) (OM 654.920)		Diesel	4WD	1950	180	245	06.18-02.21	*
C 200 d (205.207) (OM 651.921)		Diesel	RWD	2143	100	136	10.15-05.18	*

# LISTA DE APLICACIONES - BUYERS GUIDE

C 220 BlueTEC / d (205.204) (OM 651.921)		Diesel	RWD	2143	125	170	09.14-05.18	*
C 250 BlueTEC / d (205.208) (OM 651.921)		Diesel	RWD	2143	150	204	09.14-05.18	*
C 250 BlueTEC / d 4-matic (205.209) (OM 651.921)		Diesel	4WD	2143	150	204	10.14-05.18	*
<b>CLS-Class III (C257) 12.17-</b>					<b>Coupé (Executive car-E Segment)</b>			
CLS 260 eq Boost (257.344)		Gasol./el éc.	RWD	1497	135	184	05.20-	*
CLS 220 d (257.314) (OM 654.920)		Diesel	RWD	1950	143	194	06.18-	*
<b>E-Class V (A238) 06.17-</b>					<b>Cabrio (Executive car-E Segment)</b>			
E 200 (238.442) (M 274.920)		Gasolina	RWD	1991	135	184	06.17-	*
E 200 4-matic (238.443) (M 274.920)		Gasolina	4WD	1991	135	184	10.17-	*
E 260 EQ Boost (238.477)		Gasol./el éc.	RWD	1497	135	184	12.19-	*
E 260 EQ Boost 4-matic (238.478)		Gasol./el éc.	4WD	1497	135	184	12.19-	*
E 200 EQ Boost (238.480) (M 264.920)		Gasol./el éc.	RWD	1991	145	197	06.19-	*
E 200 EQ Boost 4-matic (238.487) (M 264.920)		Gasol./el éc.	4WD	1991	145	197	06.19-	*
E 300 d 4-matic (238.419)		Diesel/el éc.	4WD	1992	195	265	04.21-	*
E 220 d (238.414) (OM 654.920)		Diesel	RWD	1950	120	163	06.17-	*
E 220 d (238.414) (OM 654.920)		Diesel	RWD	1950	143	194	06.17-	*
E 220 d 4-matic (238.415) (OM 654.920)		Diesel	4WD	1950	143	194	10.17-	*
E 300 d (238.418) (OM 654.920)		Diesel	RWD	1950	180	245	05.18-	*
<b>E-Class V (C238) 12.16-</b>					<b>Coupé (Executive car-E Segment)</b>			
E 200 (238.342) (M 274.920)		Gasolina	RWD	1991	135	184	12.16-	*
E 200 4-matic (238.343) (M 274.920)		Gasolina	4WD	1991	135	184	06.17-	*
E 260 EQ Boost (238.377)		Gasol./el éc.	RWD	1497	135	184	12.19-	*
E 260 EQ Boost 4_matic (238.378)		Gasol./el éc.	4WD	1497	135	184	12.19-	*
E 200 EQ Boost (238.380) (M 264.920)		Gasol./el éc.	RWD	1991	145	197	06.19-	*
E 200 EQ Boost 4-matic (238.487) (M 264.920)		Gasol./el éc.	4WD	1991	145	197	06.19-	*
E 300 d 4-matic (238.319)		Diesel/el éc.	4WD	1992	195	265	01.21-	*
E 220 d (238.314)		Diesel	RWD	1950	120	163	12.16-	*
E 220 d (238.314) (OM 654.920)		Diesel	RWD	1950	143	194	12.16-	*
E 220 d 4-matic (238.315) (OM 654.920)		Diesel	4WD	1950	143	194	03.17-	*
E 300 d (238.318) (OM 654.920)		Diesel	RWD	1950	180	245	05.18-	*
<b>E-Class V (W213) 01.16-</b>					<b>Sedán (Executive car-E Segment)</b>			
E 180 (213.076)		Gasolina	RWD	1497	115	156	07.19-10.23	*
E 180 (213.040) (M 274.910)		Gasolina	RWD	1595	115	156	01.16-06.19	*
E 200 (213.042) (M 274.920)		Gasolina	RWD	1991	135	184	01.16-05.19	*
E 200 4-matic (213.043) (M 274.920)		Gasolina	4WD	1991	135	184	07.16-06.19	*
E 200 (213.080) (M 264.920)		Gasolina	RWD	1991	145	197	10.18-10.23	*
E 250 (213.045) (M 274.920)		Gasolina	RWD	1991	155	211	07.16-10.23	*
E 300 (213.048) (M 274.920)		Gasolina	RWD	1991	180	245	07.16-06.20	*
E 300 (213.048, 213.083) (M 274.920)		Gasolina	RWD	1991	190	258	02.19-10.23	*
E 300 (213.083) (M 264.920)		Gasolina	RWD	1991	190	258	04.19-10.23	*
E 260 EQ Boost (213.077)		Gasol./el éc.	RWD	1497	135	184	04.19-	*
E 260 EQ Boost 4-matic (238.478)		Gasol./el éc.	4WD	1497	135	184	04.19-	*
E 200 EQ Boost (213.080) (M 264.920)		Gasol./el éc.	RWD	1991	145	197	06.19-10.23	*

# LISTA DE APLICACIONES - BUYERS GUIDE

E 200 EQ Boost 4-matic (238.487) (M 264.920)		Gasol./el éc.	4WD	1991	145	197	06.19-10.23	*
E 220 d (213.004)		Diesel/el éc.	RWD	1992	147	200	02.22-10.23	*
E 220 d 4-matic (213.005)		Diesel/el éc.	4WD	1992	147	200	02.22-10.23	*
E 300 d 4-matic (213.019)		Diesel/el éc.	4WD	1992	195	265	01.21-10.23	*
E 200 d (213.013) (OM 654.920)		Diesel	RWD	1950	110	150	07.16-06.20	*
E 220 d (213.004) (OM 654.920)		Diesel	RWD	1950	120	163	01.16-10.23	*
E 220 d 4-matic (213.005) (OM 654.920)		Diesel	4WD	1950	120	163	10.16-10.23	*
E 220 d (213.004) (OM 654.920)		Diesel	RWD	1950	143	194	01.16-10.23	*
E 220 d 4-matic (213.005) (OM 654.920)		Diesel	4WD	1950	143	194	10.16-10.23	*
E 300 d (213.008) (OM 654.920)		Diesel	RWD	1950	180	245	12.17-06.20	*
<b>E-Class V All-Terrain (S213) 01.17-</b>					<b>[CAMBIADO]:Break (Executive car-E Segment)</b>			
E 200 EQ Boost (213.279) (M 264.920)		Gasol./el éc.	4WD	1991	145	197	08.20-08.23	*
E 220 d 4-matic (213.205)		Diesel/el éc.	4WD	1992	147	200	02.22-10.23	*
E 220 d 4-matic (213.217) (OM 654.920)		Diesel	4WD	1950	143	194	01.17-10.23	*
<b>E-Class V T-Model (S213) 07.16-</b>					<b>[CAMBIADO]:Break (Executive car-E Segment)</b>			
E 200 (213.242) (M 274.920)		Gasolina	RWD	1991	135	184	07.16-06.20	*
E 200 4-matic (213.243) (M 274.920)		Gasolina	4WD	1991	135	184	01.17-06.19	*
E 250 (213.245) (M 274.920)		Gasolina	RWD	1991	155	211	07.16-11.18	*
E 200 EQ Boost (213.280) (M 264.920)		Gasol./el éc.	RWD	1991	145	197	06.19-10.23	*
E 200 EQ Boost 4-matic (238.487) (M 264.920)		Gasol./el éc.	4WD	1991	145	197	06.19-10.23	*
E 300 e (213.253) (M 274.920)		Gasol./el éc.	RWD	1991	155	211	06.20-	*
E 300 e (213.253) (M 274.920)		Gasol./el éc.	RWD	1991	235	320	06.20-08.23	*
E 220 d (213.204)		Diesel/el éc.	RWD	1992	147	200	02.22-10.23	*
E 220 d 4-matic (213.205)		Diesel/el éc.	4WD	1992	147	200	02.22-10.23	*
E 300 d 4-matic (213.219)		Diesel/el éc.	4WD	1992	195	265	01.21-10.23	*
E 200 d (213.213) (OM 654.920)		Diesel	RWD	1950	110	150	10.16-06.19	*
E 220 d (213.204) (OM 654.920)		Diesel	RWD	1950	120	163	07.16-10.23	*
E 220 d (213.204) (OM 654.920)		Diesel	RWD	1950	143	194	07.16-10.23	*
E 220 d (213.206) (OM 654.920)		Diesel	RWD	1950	143	194	09.20-	*
E 220 d 4-matic (213.205) (OM 654.920)		Diesel	4WD	1950	143	194	01.17-10.23	*
E 300 d (213.208) (OM 654.920)		Diesel	RWD	1950	180	245	12.17-06.20	*
<b>GLC-Class (X253) 06.15-</b>					<b>SUV (Luxury Crossover SUV-J Segment)</b>			
200 (253.342) (M 274.920)		Gasolina	RWD	1991	135	184	06.16-04.19	*
200 (253.942) (M 274.920)		Gasolina	RWD	1991	135	184	06.16-04.19	*
<b>MERCEDES-BENZ (BBDC)</b>								
<b>C-Class (W205) 08.14-</b>					<b>Sedán (Compact executive car-D Segment)</b>			
C 260 L		Gasolina	FWD	1991	155	211	08.14-	*
C 300 L		Gasolina	FWD	1991	180	245	06.15-	*
<b>E-Class (W213) 01.16-</b>					<b>Sedán (Executive car-E Segment)</b>			
E 200 (213.042)		Gasolina	RWD	1991	135	184	01.16-	*
E 200 4-matic (213.043)		Gasolina	4WD	1991	135	184	11.16-	*
E 200 L		Gasolina	FWD	1991	135	184	11.16-	*

## LISTA DE APLICACIONES - BUYERS GUIDE

E 260 L EQ Boost (213.177)	Gasol./el éc.	RWD	1497	135	184	03.19-	*
E 260 L EQ Boost 4-matic (213.178)	Gasol./el éc.	4WD	1497	135	184	03.19-	*