

LISTA DE APLICACIONES - BUYERS GUIDE

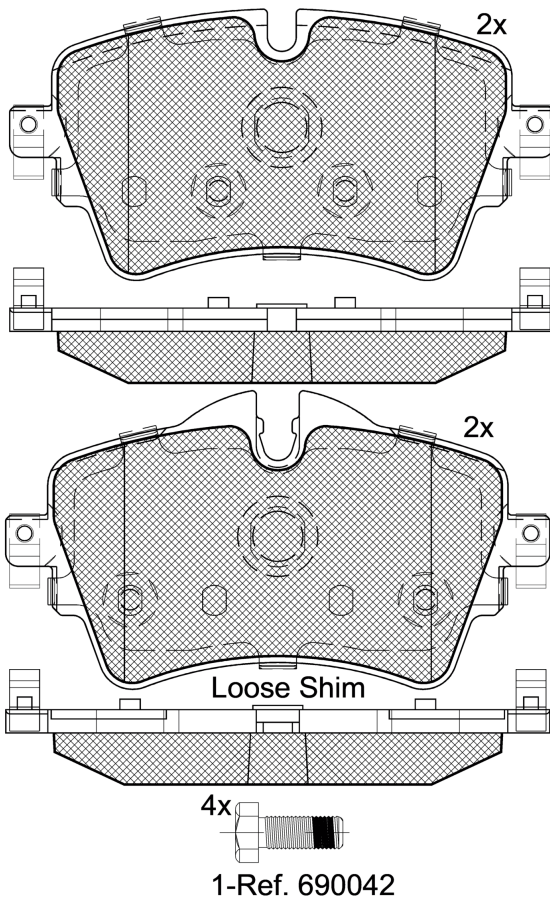
RB2211



Qty: 300

Weight: 1.770

O.E.M.	MAKE
34 10 6 863 293	MINI
34 10 6 874 034	MINI
34 11 6 860 017	MINI
34 11 6 886 309	BMW
34 21 2 849 969	BMW
34 21 2 849 989	BMW



RB2211

E 9 90R-02A0111/4337



Trw

129x64.3x18.3

129x70.7x18.3

WVA	FMSI
22187	D1801-9033
22188	
25207	
25208	

Sin Filas



	Trac.	CC	Kw	CV			Front / Rear
--	-------	----	----	----	--	--	--------------

BMW

1 Serie II (F52) 01.17-					Sedán (Compact car-C Segment)			
118 i (B38 A15 C)		Gasolina	FWD	1499	100	136	01.17-08.19	*
2 Active Tourer (F45) 11.13-					MPV (Compact car-C Segment)			
218i (B38 A15 A)		Gasolina	FWD	1499	100	136	07.14-10.21	*
218i (B38 A15 A)		Gasolina	FWD	1499	103	140	03.18-10.21	*
220 i (B48 A20 A)		Gasolina	FWD	1998	120	163	03.14-10.21	*
220 i (B48 A20 A)		Gasolina	FWD	1998	141	192	03.14-10.21	*
220 i (B48 A20 F)		Gasolina	FWD	1998	141	192	03.14-10.21	*
220 i Flex (B48 A20 A,B48 A20 B)		Gasol./Etanol	FWD	1998	141	192	01.17-	*
216 d (B37 C15 A)		Diesel	FWD	1496	85	116	03.14-10.21	*
218d (B47 C20 A)		Diesel	FWD	1995	100	136	11.13-10.21	*
218d (B47 C20 B)		Diesel	FWD	1995	100	136	11.13-10.21	*
218 d xDrive (B47 C20 A)		Diesel	4WD	1995	100	136	12.14-10.21	*
218 d xDrive (B47 C20 B)		Diesel	4WD	1995	100	136	12.14-10.21	*
218d (B47 C20 A)		Diesel	FWD	1995	110	150	11.13-10.21	*
218d (B47 C20 B)		Diesel	FWD	1995	110	150	11.13-10.21	*
218 d xDrive (B47 C20 A)		Diesel	4WD	1995	110	150	12.14-10.21	*
218 d xDrive (B47 C20 B)		Diesel	4WD	1995	110	150	12.14-10.21	*
2 Active Tourer Van (F45) 11.13-					Furgoneta/MPV (Compact car-C Segment)			
218i (B38 A15 A)		Gasolina	FWD	1499	103	140	03.18-10.21	*
218d (B47 C20 A)		Diesel	FWD	1995	110	150	07.14-10.21	*
218d (B47 C20 B)		Diesel	FWD	1995	110	150	07.14-10.21	*

LISTA DE APLICACIONES - BUYERS GUIDE

2 Gran Coupe (F44) 11.19-					Coupé (Compact car-C Segment)			
218i (B38 A15 A)		Gasolina	FWD	1499	103	140	11.19-	*
2 Gran Tourer (F46) 07.14-					MPV (Compact car-C Segment)			
216i (B38 A15 A)		Gasolina	FWD	1499	75	102	07.15-02.18	*
216i (B38 A15 A)		Gasolina	FWD	1499	80	109	03.18-	*
214 d (B37 C15 A)		Diesel	FWD	1496	70	95	07.15-02.18	*
216 d (B37 C15 A)		Diesel	FWD	1496	85	116	03.15-	*
2 Gran Tourer Van (F46) 07.14-					Furgoneta/MPV (Compact car-C Segment)			
218i (B38 A15 A)		Gasolina	FWD	1499	103	140	04.17-	*
3 Serie VI (F30, F80) 11.11-10.18					Sedán (Compact executive car-D Segment)			
M3 (S55 B30 A)		Gasolina	RWD	2979	317	431	03.14-10.18	*
X1 II (F48) 11.14-					SUV (Compact SUV-J Segment)			
sDrive 16 d (B37 C15 A)		Diesel	FWD	1496	85	116	11.14-05.22	*
X2 (F39) 11.17-					SUV (Compact SUV-J Segment)			
sDrive 16 d (B37 C15 A)		Diesel	FWD	1496	85	116	11.18-10.23	*
BMW (BRILLIANCE)								
1 SERIES (F52) 01.17-					Sedán (Compact car-C Segment)			
118 i (B38 A15 C)		Gasolina	FWD	1499	100	136	01.17-08.19	*
125 i (B48 A20 C)		Gasolina	FWD	1998	141	192	10.19-	*
2 SERIES Active Tourer (F45) 03.16-					MPV (Compact car-C Segment)			
218i (B38 A15 A,B38 A15 C)		Gasolina	FWD	1488	100	136	03.16-	*
MINI								
MINI (F55) 09.13-					[CAMBIADO]:Fastback (Supermini car-B Segment)			
Cooper S (B48 A20 A)		Gasolina	FWD	1998	120	163	09.13-	*
Cooper S (B48 A20 A)		Gasolina	FWD	1998	120	163	11.14-	*
Cooper S (B48 A20 A)		Gasolina	FWD	1998	131	178	11.20-	*
Cooper S (B48 A20 F)		Gasolina	FWD	1998	131	178	11.20-	*
Cooper S (B48 A20 A)		Gasolina	FWD	1998	131	178	11.20-	*
Cooper S (B48 A20 F)		Gasolina	FWD	1998	131	178	11.20-	*
Cooper S (B46 A20 A)		Gasolina	FWD	1998	141	192	07.14-	*
Cooper S (B48 A20 A)		Gasolina	FWD	1998	141	192	07.14-	*
Cooper S (B46 A20 A)		Gasolina	FWD	1998	141	192	12.13-	*
Cooper S (B48 A20 A)		Gasolina	FWD	1998	141	192	12.13-	*
Cooper S (B48 A20 F)		Gasolina	FWD	1998	141	192	12.13-	*
Cooper S JCW (B46 A20 A)		Gasolina	FWD	1998	155	211	07.14-	*
Cooper S JCW (B48 A20 A)		Gasolina	FWD	1998	155	211	07.14-	*
Cooper S JCW (B46 A20 A)		Gasolina	FWD	1998	155	211	12.13-	*
Cooper S JCW (B48 A20 A)		Gasolina	FWD	1998	155	211	12.13-	*
Cooper SD (B47 C20 A)		Diesel	FWD	1995	120	163	09.13-	*
Cooper SD (B47 C20 B)		Diesel	FWD	1995	120	163	09.13-	*
Cooper SD (B47 C20 A)		Diesel	FWD	1995	120	163	06.14-	*
Cooper SD (B47 C20 B)		Diesel	FWD	1995	120	163	06.14-	*
Cooper SD (B47 C20 A)		Diesel	FWD	1995	125	170	07.14-	*
Cooper SD (B47 C20 A)		Diesel	FWD	1995	125	170	06.14-	*
Cooper SD (B47 C20 B)		Diesel	FWD	1995	125	170	06.14-	*
MINI (F57) 11.14-					Cabrió (Supermini car-B Segment)			
Cooper S (B46 A20 A)		Gasolina	FWD	1998	120	163	11.14-	*

LISTA DE APLICACIONES - BUYERS GUIDE

Cooper S (B48 A20 A)		Gasolina	FWD	1998	120	163	11.14-	*
Cooper S (B48 A20 A)		Gasolina	FWD	1998	131	178	11.20-	*
Cooper S (B48 A20 F)		Gasolina	FWD	1998	131	178	11.20-	*
Cooper S (B46 A20 A)		Gasolina	FWD	1998	141	192	11.15-	*
Cooper S (B48 A20 A)		Gasolina	FWD	1998	141	192	11.15-	*
Cooper S JCW (B46 A20 A)		Gasolina	FWD	1998	155	211	11.15-	*
Cooper S JCW (B48 A20 A)		Gasolina	FWD	1998	155	211	11.15-	*
Cooper SD (B47 C20 A)		Diesel	FWD	1995	120	163	05.15-07.19	*
Cooper SD (B47 C20 B)		Diesel	FWD	1995	120	163	05.15-07.19	*
Cooper SD (B47 C20 A)		Diesel	FWD	1995	125	170	03.16-	*
Cooper SD (B47 C20 B)		Diesel	FWD	1995	125	170	03.16-	*
MINI CLUBMAN II (F54) 11.14-					[CAMBIADO]:Break (Supermini car-B Segment)			
Cooper (B36 A15 A)		Gasolina	FWD	1499	100	136	07.15-02.24	*
Cooper (B38 A15 A)		Gasolina	FWD	1499	100	136	07.15-02.24	*
Cooper ALL4 (B36 A15 A)		Gasolina	4WD	1499	100	136	08.16-	*
Cooper S (B46 A20 A)		Gasolina	FWD	1998	141	192	11.14-	*
Cooper S (B48 A20 A)		Gasolina	FWD	1998	141	192	11.14-	*
Cooper S (B48 A20 F)		Gasolina	FWD	1998	141	192	11.14-	*
Cooper D (B47 C20 A)		Diesel	FWD	1995	100	136	12.14-07.19	*
Cooper D (B47 C20 B)		Diesel	FWD	1995	100	136	12.14-07.19	*
Cooper D (B47 C20 A)		Diesel	FWD	1995	110	150	07.15-02.24	*
Cooper D (B47 C20 B)		Diesel	FWD	1995	110	150	07.15-02.24	*
MINI COUNTRYMAN II (F60) 10.16-					[CAMBIADO]:Break (Supermini car-B Segment)			
One (B38 A15 A)		Gasolina	FWD	1499	75	102	07.17-	*
One D (B37 C15 A)		Diesel	FWD	1496	85	116	07.17-	*
SEAT								
LEON IV (KL1, KLG) 11.19-					[CAMBIADO]:Fastback (Compact car-C Segment)			
1.5 TSI (DPBA)		Gasolina	FWD	1495	96	131	11.19-	*
1.5 TSI (DPCA)		Gasolina	FWD	1498	110	150	11.19-	*
1.5 TGI CNG (DHFA)		Gasol./Gas (CNG)	FWD	1498	96	131	08.20-	*
2.0 TDI (DSUD)		Diesel	FWD	1968	85	116	11.19-	*
2.0 TDI (DSTB)		Diesel	FWD	1968	110	150	11.19-	*
LEON IV Sportstourer (KL8, KLD) 03.20-					[CAMBIADO]:Break (Compact car-C Segment)			
1.5 TSI (DPBA)		Gasolina	FWD	1495	96	131	03.20-	*
1.5 TSI (DPCA)		Gasolina	FWD	1498	110	150	03.20-	*
1.5 TGI		Gasol./Gas (CNG)	FWD	1498	96	131	05.21-	*
2.0 TDI		Diesel	FWD	1968	85	116	11.20-	*