

LISTA DE APLICACIONES - BUYERS GUIDE

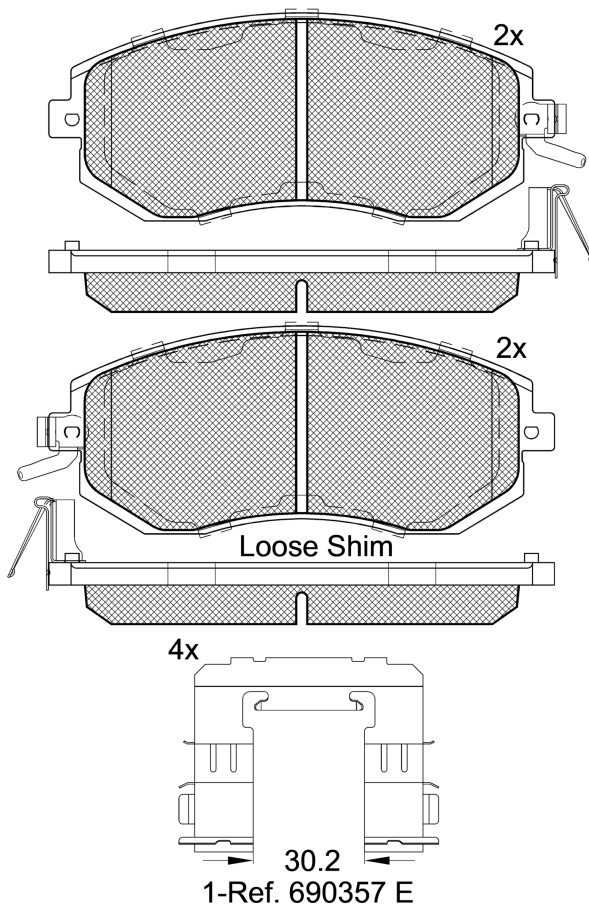
RB2199



Qty: 300

Weight: 1.790

O.E.M.	MAKE
26296-AJ02A	SUBARU
26296-FJ010	SUBARU
26296-FJ020	SUBARU
26296-SC000	SUBARU
26296-SC010	SUBARU
26296-SC011	SUBARU
26296-SC020	SUBARU
26296-SC021	SUBARU
SU003-04089	SCION
SU003-04090	SUBARU
SU003-04324	SUBARU
SU003-04678	SUBARU
SU003-07199	TOYOTA



RB2199

E 9 90R-02A0111/4146



Tokico

137.3x56.5x17.3

WVA	FMSI
25760	D1539-7880
25761	
25891	
25892	

Sin Filas



Trac.	CC	Kw	CV			Front / Rear
-------	----	----	----	--	--	--------------

SCION								
FR (U.S.A.) 09.11-						Coupé (Sports car-S Segment)		
2.0 S		Gasolina	RWD	1998	149	203	09.12-	*
SUBARU								
BRZ (ZC6) 06.12-						Coupé (Sports car-S Segment)		
2.0 (ZC6) (FA20D)		Gasolina	RWD	1998	147	200	06.12-	*
2.0 (ZC6)		Gasolina	RWD	1998	152	207	08.16-	*
2.0 (FA20D)		Gasolina	RWD	1998	153	208	09.16-	*
EXIGA (YA_) 05.08-						Closed SUV (Compact SUV-J Segment)		
2.0		Gasolina	FWD	1994	109	148	05.08-	*
2.0		Gasolina	FWD	1994	109	148	05.08-	*
2.5		Gasolina	FWD	2457	125	170	12.09-	*
2.5		Gasolina	FWD	2498	127	173	03.12-	*
FORESTER III (SH_) 12.07-						SUV (Compact SUV-J Segment)		
2.0 AWD (SH5) (EJ204)		Gasolina	4WD	1994	110	150	01.08-09.13	*
2.0 AWD (SHJ) (FB20)		Gasolina	4WD	1995	110	150	01.10-	*
2.5 AWD (SH9) (EJ255)		Gasolina	4WD	2457	169	230	06.08-09.13	*
2.5 Turbo AWD (SH9) (EJ255)		Gasolina	4WD	2457	193	262	02.11-09.13	*
2.5 AWD (SHM) (FB25)		Gasolina	4WD	2498	126	171	03.11-09.13	*
2.0 BiFuel AWD (EJ204)		Gasol./Gas (LPG)	4WD	1994	110	150	01.09-12.11	*
2.0 D AWD (SHH, SHD, SHN) (EE20Z)		Diesel	4WD	1998	108	147	09.08-09.13	*
FORESTER IV (SJ_) 11.12-						SUV (Compact SUV-J Segment)		
2.0 (FB20A)		Gasolina	4WD	1995	109	148	11.12-	*

LISTA DE APLICACIONES - BUYERS GUIDE

2.0 i AWD (SJ5) (FB20)	Gasolina	4WD	1995	110	150	03.13-	*
2.0 XT AWD (SJG) (FA20)	Gasolina	4WD	1998	177	241	03.13-	*
2.0	Gasolina	FWD	1998	206	280	04.15-	*
2.5 AWD (SJ9) (FB25)	Gasolina	4WD	2498	126	171	11.12-	*
2.5 AWD (FB25)	Gasolina	4WD	2498	127	173	07.14-	*
2.0 BiFuel AWD (S13, SJ5) (FB20B)	Gasol./Gas (LPG)	4WD	1995	110	150	03.13-	*
2.0 D AWD (SJD) (EE20Z)	Diesel	4WD	1998	108	147	03.13-	*
FORESTER V (SK_) 04.18-				SUV (Compact SUV-J Segment)			
2.0 AWD (SK7) (FB20C)	Gasolina	4WD	1995	115	156	04.18-	*
2.0 AWD (SK7) (FB20D)	Gasolina	4WD	1995	115	156	04.18-	*
2.5 AWD (SK9) (FB25C)	Gasolina	4WD	2498	136	185	04.18-	*
2.5 AWD (SK9) (FB25D)	Gasolina	4WD	2498	136	185	04.18-	*
2.0 e-Boxer Hybrid AWD (SKE) (FB20X)	Gasol./el éc.	4WD	1995	107	145	04.18-	*
2.0 e-Boxer Hybrid AWD (SKE) (FB20X)	Gasol./el éc.	4WD	1995	110	150	04.18-	*
IMPREZA III (GR, GH, G3) 03.07-				[CAMBIADO]:Fastback (Compact car-C Segment)			
1.5 AWD (GH3) (EL15)	Gasolina	4WD	1498	79	107	02.08-03.12	*
1.5 F (GH2) (EL15)	Gasolina	FWD	1498	79	107	09.07-03.12	*
1.5 AWD (EL154)	Gasolina	4WD	1498	85	116	09.08-12.11	*
2.0 R AWD (GH7) (EJ204)	Gasolina	4WD	1994	110	150	01.08-03.12	*
2.5 WRX SE AWD (GRE) (EJ255)	Gasolina	4WD	2457	195	265	07.10-08.13	*
1.5 BiFuel AWD (EL154)	Gasol./Gas (LPG)	4WD	1498	79	107	01.10-03.12	*
2.0 R BiFuel AWD (EJ204)	Gasol./Gas (LPG)	4WD	1994	110	150	01.09-03.12	*
2.0 D AWD (EE20Z)	Diesel	4WD	1998	80	109	01.11-12.11	*
2.0 D AWD (EE20Z)	Diesel	4WD	1998	110	150	01.09-03.12	*
IMPREZA III (GE, GV) 01.07-				Sedán (Compact car-C Segment)			
1.5 (GE2) (EL15)	Gasolina	FWD	1498	79	107	02.08-	*
1.5 AWD (GE3) (EL15)	Gasolina	4WD	1498	79	107	02.08-	*
2.0 i AWD (GE7) (EJ204)	Gasolina	4WD	1994	110	150	01.11-	*
2.5 AWD (EJ25)	Gasolina	4WD	2457	121	165	08.08-10.10	*
2.5 AWD (EJ255)	Gasolina	4WD	2457	169	230	10.08-	*
2.5 WRX SE AWD (GVE, GEE) (EJ255)	Gasolina	4WD	2457	195	265	01.09-12.14	*
2.5 AWD (EJ255)	Gasolina	4WD	2457	199	270	07.07-	*
2.5 AWD (EJ257)	Gasolina	4WD	2457	199	270	07.07-	*
IMPREZA IV / WRX 09.11-				[CAMBIADO]:Break (Compact car-C Segment)			
2.0 AWD (FB20B)	Gasolina	4WD	1995	110	150	09.11-	*
IMPREZA IV / WRX (GP_) 10.11-				[CAMBIADO]:Fastback (Compact car-C Segment)			
1.6 i (GP2) (FB16A)	Gasolina	FWD	1600	84	114	06.12-09.16	*
1.6 i (GP2) (FB16B)	Gasolina	FWD	1600	84	114	06.12-09.16	*
1.6 i AWD (FB16B)	Gasolina	4WD	1600	84	114	06.12-	*
2.0	Gasolina	FWD	1995	110	150	01.12-	*
2.0 AWD (GP7) (FB20)	Gasolina	4WD	1995	110	150	01.12-	*
2.0 Hybrid AWD (GPE)	Gasol./el éc.	4WD	1995	110	150	04.16-09.16	*
IMPREZA IV / WRX (GJ_) 07.11-				Sedán (Compact car-C Segment)			
1.6	Gasolina	FWD	1599	85	115	01.15-	*
1.6 AWD (GJ3) (FB16)	Gasolina	4WD	1599	85	115	01.15-	*
1.6 AWD (GJ3) (FB16A)	Gasolina	4WD	1600	84	114	06.12-09.16	*

LISTA DE APLICACIONES - BUYERS GUIDE

1.6 AWD (GJ3) (FB16B)		Gasolina	4WD	1600	84	114	06.12-09.16	*	
1.6 Tracción delantera (GJ2)		Gasolina	FWD	1600	84	114	06.12-09.16	*	
2.0 AWD (GJ7) (FB20B)		Gasolina	4WD	1995	110	150	07.11-	*	
IMPREZA V (GT_) 10.16-							[CAMBIADO]:Fastback (Compact car-C Segment)		
1.6 i (GT2) (FB16B)		Gasolina	FWD	1599	85	115	10.16-	*	
1.6 i AWD (GT3) (FB16A)		Gasolina	4WD	1599	85	115	10.16-	*	
2.0 i (GT6)		Gasolina	FWD	1995	113	154	10.16-	*	
2.0 i AWD (GT7) (FB20C)		Gasolina	4WD	1995	113	154	10.16-	*	
LEGACY V / LIBERTY (BR) 06.08-12.14							[CAMBIADO]:Break (Executive car-E Segment)		
2.0 i AWD (EJ204)		Gasolina	4WD	1994	110	150	09.09-12.14	*	
2.0 i AWD (BRJ) (FB20)		Gasolina	4WD	1995	110	150	06.12-12.14	*	
2.5 i AWD (BR9) (EJ253)		Gasolina	4WD	2457	123	167	09.09-12.14	*	
2.5 GT AWD (BR9) (EJ255)		Gasolina	4WD	2457	195	265	07.10-12.14	*	
2.5 i AWD (BRM) (FB25)		Gasolina	4WD	2498	127	173	07.12-12.14	*	
2.0 i LPG AWD (EJ204)		Gasol./Gas (LPG)	4WD	1994	108	147	09.09-12.11	*	
2.5 CNG AWD (FB25B)		Gasol./Gas (CNG)	4WD	2498	127	173	04.13-12.14	*	
2.0 D AWD (EE20)		Diesel	4WD	1998	108	147	01.13-12.14	*	
2.0 D AWD (EE20Z)		Diesel	4WD	1998	108	147	01.13-12.14	*	
LEGACY V / LIBERTY (BM) 05.09-							Sedán (Executive car-E Segment)		
2.5 i AWD (BM9) (EJ253)		Gasolina	4WD	2457	123	167	09.09-12.14	*	
2.5 i AWD (BM9) (EJ253)		Gasolina	4WD	2457	125	170	01.12-12.14	*	
2.5 i AWD (EJ253)		Gasolina	4WD	2457	129	175	01.10-12.14	*	
2.5 i AWD (EJ255)		Gasolina	4WD	2457	171	233	09.09-12.13	*	
2.5 GT AWD (BM9) (EJ255)		Gasolina	4WD	2457	195	265	07.10-12.14	*	
2.5 i AWD (BMM) (FB25)		Gasolina	4WD	2498	127	173	07.12-12.14	*	
2.5 i AWD (BMM) (FB25A)		Gasolina	4WD	2498	127	173	07.12-12.14	*	
2.5 i AWD (BMM) (FB25B)		Gasolina	4WD	2498	127	173	07.12-12.14	*	
2.5 AWD		Gasolina	FWD	2498	129	175	09.13-	*	
2.5 i AWD (FB25)		Gasolina	4WD	2498	130	177	07.14-12.14	*	
2.0 i LPG AWD (EJ204)		Gasol./Gas (LPG)	4WD	1994	108	147	09.09-12.11	*	
OUTBACK IV (BR) 06.09-							[CAMBIADO]:Break (Executive car-E Segment)		
2.5 i AWD (BR9) (EJ253)		Gasolina	4WD	2457	123	167	09.09-	*	
2.5 i AWD (EJ25)		Gasolina	4WD	2457	125	170	05.09-12.14	*	
2.5 i		Gasolina	FWD	2457	127	173	01.12-	*	
2.5 i AWD (BRM) (FB25)		Gasolina	4WD	2498	125	170	01.13-	*	
2.5 i AWD (BRM) (FB25B)		Gasolina	4WD	2498	127	173	01.13-	*	
2.5 BiFuel AWD (EJ253)		Gasol./Gas (LPG)	4WD	2457	123	167	01.10-12.14	*	
2.5 BiFuel AWD (FB25B)		Gasol./Gas (LPG)	4WD	2498	127	173	01.13-12.14	*	
2.5 CNG AWD (FB25B)		Gasol./Gas (CNG)	4WD	2498	127	173	06.14-12.14	*	
2.0 D AWD		Diesel	4WD	1998	108	147	01.13-	*	
2.0 D AWD (BRD) (EE20Z)		Diesel	4WD	1998	110	150	09.09-	*	
OUTBACK V (BS) 10.14-							[CAMBIADO]:Break (Executive car-E Segment)		
2.5 AWD		Gasolina	4WD	2498	127	173	10.14-	*	

LISTA DE APLICACIONES - BUYERS GUIDE

XV II (GT, G24) 04.17-					SUV (Compact car-C Segment)			
2.0 i AWD (GT7) (FB20C)	Gasolina	4WD	1995	115	156	04.17-	*	
2.0 i AWD (GT7) (FB20D)	Gasolina	4WD	1995	115	156	04.17-	*	
2.0 i e-BOXER AWD (GTE) (FB20W)	Gasol./el éc.	4WD	1995	110	150	10.19-	*	
2.0 i e-BOXER AWD (GTE) (FB20X)	Gasol./el éc.	4WD	1995	110	150	10.19-	*	

XV CROSSTREK (_GP_) 09.11-					SUV (Compact car-C Segment)			
1.6 i AWD (GP3, G33GP) (FB16A)	Gasolina	4WD	1600	84	114	03.12-12.17	*	
1.6 i AWD (GP3, G33GP) (FB16B)	Gasolina	4WD	1600	84	114	03.12-12.17	*	
2.0 i AWD (GP7, G33GP) (FB20B)	Gasolina	4WD	1995	110	150	03.12-12.17	*	
2.0 i AWD (FB20)	Gasolina	4WD	1995	112	152	09.12-	*	
1.6 BiFuel AWD (G33GP, GP3) (FB16B)	Gasol./G as (LPG)	4WD	1600	84	114	03.12-12.17	*	
2.0 BiFuel AWD (G33GP, GP7) (FB20B)	Gasol./G as (LPG)	4WD	1995	110	150	03.12-12.17	*	
2.0 Hybrid AWD (GPE) (FB20)	Gasol./el éc.	4WD	1995	110	150	01.14-12.17	*	
2.0 D AWD (EE20Z)	Diesel	4WD	1998	80	109	03.12-12.17	*	
2.0 D AWD (GPD) (EE20Z)	Diesel	4WD	1998	108	147	03.12-12.17	*	

TOYOTA

GT 86 / 86 / TOYOTA 86 (ZN6_) 03.12-					Coupé (Sports car-S Segment)			
2.0 (ZN6AC_, ZN6BC_, ZN6K) (4U-GSE)	Gasolina	RWD	1998	147	200	03.12-	*	
2.0 (ZN6AC_, ZN6BC_, ZN6K) (FA20)	Gasolina	RWD	1998	147	200	03.12-	*	
2.0 (ZN6AC_, ZN6BC_, ZN6K) (FA20D)	Gasolina	RWD	1998	147	200	03.12-	*	
2.0 (ZN6) (FA20D)	Gasolina	RWD	1998	149	203	10.12-	*	
2.0 GT (ZN6EY_)	Gasolina	FWD	1998	153	208	08.16-	*	