

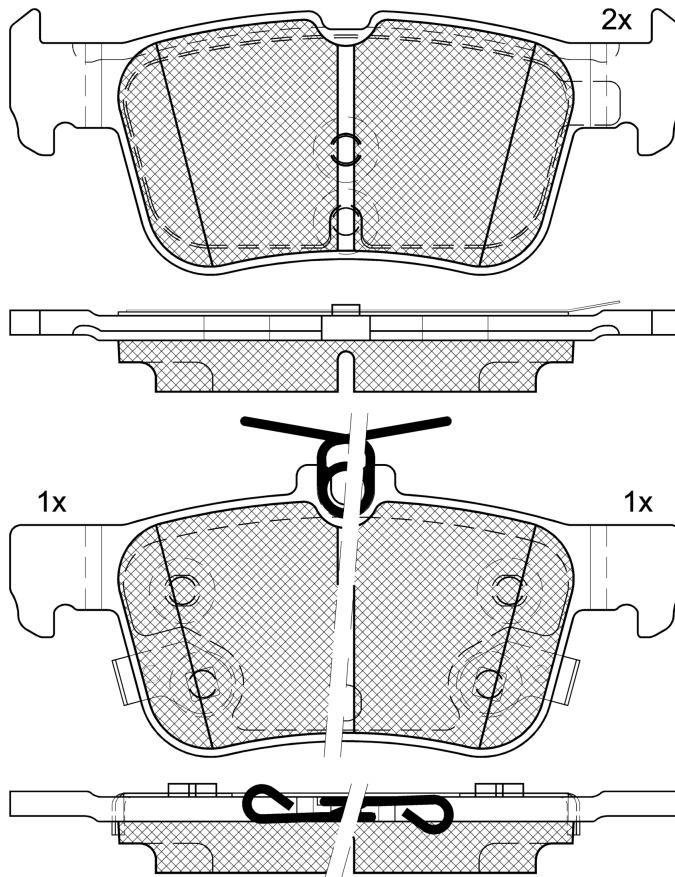
LISTA DE APLICACIONES - BUYERS GUIDE

RB2198-208



Qty: 300 Weight: 905

O.E.M.	MAKE
2 209 329	FORD
2 247 444	FORD
2 367 295	FORD
24 937 19	FORD
BRF-1954	FORD
JX6Z-2200-D	FORD
JX6Z-2200-E	FORD
KTJX61-2M007-AEB	FORD
KTJX61-2M007-AEC	FORD
KTJX61-2M007-AED	FORD



RB2198-208

E 9 90R-02A0111/4894



Ate - Teves

123.15x48.7x14.6

123.15x53.5x14.6

WVA	FMSI
22231	D1833-9542
22232	
22233	

Sin Filas



Trac.	CC	Kw	CV
-------	----	----	----



Front / Rear

FORD

FOCUS IV (HN) 01.18-							[CAMBIADO]:Fastback (Compact car-C Segment)		
1.0 EcoBoost (SFDC)	Gasolina	FWD	998	63	85	05.18-11.25		*	
1.0 EcoBoost (B3DA)	Gasolina	FWD	999	74	101	01.18-11.25		*	
1.0 EcoBoost (B7DA)	Gasolina	FWD	999	92	125	01.18-11.25		*	
1.5 Ti-VCT (Y2DA)	Gasolina	FWD	1496	90	123	11.18-11.25		*	
1.5 EcoBoost (YZDA)	Gasolina	FWD	1496	110	150	09.18-11.25		*	
1.5 EcoBoost (Y1DA)	Gasolina	FWD	1496	134	182	09.18-11.25		*	
2.3 ST EcoBoost (N3DA)	Gasolina	FWD	2261	206	280	04.19-11.25		*	
2.3 ST EcoBoost (N3DB)	Gasolina	FWD	2261	206	280	04.19-11.25		*	
1.0 EcoBoost mHEV	Gasol./el éc.	FWD	999	114	155	06.20-11.25		*	
1.0 ECOBOOST MHEV ACTIVE	Gasol./el éc.	FWD	999	114	155	01.21-		*	
1.5 EcoBlue (Z2DA)	Diesel	FWD	1499	70	95	01.18-11.25		*	
1.5 EcoBlue (ZTDA)	Diesel	FWD	1499	88	120	01.18-11.25		*	
1.5 EcoBlue (ZTDB)	Diesel	FWD	1499	88	120	01.18-11.25		*	
2.0 EcoBlue (YLDA)	Diesel	FWD	1995	110	150	01.18-11.25		*	
2.0 ST EcoBlue	Diesel	FWD	1996	140	190	04.19-11.25		*	
FOCUS IV (HM) 11.18-							Sedán (Compact car-C Segment)		
1.0 EcoBoost (B3DA)	Gasolina	FWD	999	74	101	11.18-11.25		*	
1.0 EcoBoost (B7DA)	Gasolina	FWD	999	92	125	11.18-11.25		*	
1.5 Ti-VCT (Y2DA)	Gasolina	FWD	1496	90	122	11.18-11.25		*	
1.5 EcoBoost (YZDA)	Gasolina	FWD	1496	110	150	11.18-11.25		*	
1.5 EcoBlue (Z2DA)	Diesel	FWD	1499	70	95	11.18-11.25		*	
1.5 EcoBlue (ZTDA)	Diesel	FWD	1499	88	120	11.18-11.25		*	

LISTA DE APLICACIONES - BUYERS GUIDE

1.5 EcoBlue (ZTDB)	Diesel	FWD	1499	88	120	11.18-11.25	*
FOCUS IV Turnier (HP) 09.18-				[CAMBIADO]:Break (Compact car-C Segment)			
1.0 EcoBoost (SFDC)	Gasolina	FWD	998	63	85	09.18-11.25	*
1.0 EcoBoost (B3DA)	Gasolina	FWD	999	74	101	09.18-11.25	*
1.0 EcoBoost (B7DA)	Gasolina	FWD	999	92	125	09.18-11.25	*
1.5 Ti-VCT (Y2DA)	Gasolina	FWD	1496	90	122	09.18-11.25	*
1.5 EcoBoost (YZDA)	Gasolina	FWD	1496	110	150	09.18-11.25	*
1.5 EcoBoost (Y1DA)	Gasolina	FWD	1496	134	182	09.18-11.25	*
2.3 ST EcoBoost (N3DA)	Gasolina	FWD	2261	206	280	04.19-11.25	*
2.3 ST EcoBoost (N3DB)	Gasolina	FWD	2261	206	280	04.19-11.25	*
1.0 EcoBoost mHEV	Gasol./el éc.	FWD	999	92	125	07.20-11.25	*
1.0 EcoBoost mHEV	Gasol./el éc.	FWD	999	114	155	07.20-11.25	*
1.5 EcoBlue (Z2DA)	Diesel	FWD	1499	70	95	09.18-11.25	*
1.5 EcoBlue (ZTDA)	Diesel	FWD	1499	88	120	09.18-11.25	*
1.5 EcoBlue (ZTDB)	Diesel	FWD	1499	88	120	09.18-11.25	*
2.0 EcoBlue (YLDA)	Diesel	FWD	1995	110	150	09.18-11.25	*
2.0 ST EcoBlue	Diesel	FWD	1995	140	190	04.19-11.25	*
GALAXY III (CK) 01.15-				MPV (Large MPV-M1 Segment)			
2.0 EcoBoost (R9CD)	Gasolina	FWD	1999	176	240	01.15-04.23	*
2.0 EcoBoost (R9CI)	Gasolina	FWD	1999	176	240	01.15-04.23	*
2.0 EcoBlue (BCCC)	Diesel	FWD	1995	140	190	07.18-04.23	*
2.0 EcoBlue 4x4 (BCCC)	Diesel	4WD	1995	140	190	07.18-04.23	*
2.0 EcoBlue BI-Turbo (YLCB)	Diesel	FWD	1995	176	240	07.18-04.23	*
GALAXY III Van (CK) 03.19-				Furgoneta/MPV (Large MPV-M1 Segment)			
2.0 EcoBlue AWD (BCCC)	Diesel	4WD	1995	140	190	03.19-04.23	*
KUGA III / ESCAPE IV (DFK) 07.19-				SUV (Compact SUV-J Segment)			
1.5 EcoBoost	Gasolina	FWD	1496	88	120	07.19-	*
1.5 EcoBoost	Gasolina	FWD	1497	110	150	07.19-	*
2.5 FHEV	Gasol./el éc.	FWD	2488	140	190	01.21-	*
2.5 FHEV 4x4	Gasol./el éc.	4WD	2488	140	190	01.21-	*
2.5 Duratec Plug-in-Hybrid 4x4	Gasol./el éc.	FWD	2488	165	224	07.19-	*
2.0 EcoBlue mHEV (YLDC)	Diesel/el éc.	FWD	1995	110	150	07.19-	*
1.5 EcoBlue (ZTDA)	Diesel	FWD	1499	88	120	07.19-	*
2.0 EcoBlue 4x4	Diesel	4WD	1995	140	190	07.19-	*
2.0 EcoBlue 4x4	Diesel	4WD	1996	110	150	02.21-	*
MONDEO V (CE) 09.14-				[CAMBIADO]:Fastback (Large family car-D Segment)			
1.0 EcoBoost (M1CA)	Gasolina	FWD	998	92	125	02.15-03.22	*
1.0 EcoBoost (M1CB)	Gasolina	FWD	998	92	125	02.15-03.22	*
1.5 EcoBoost (UNCA)	Gasolina	FWD	1499	118	160	09.14-03.22	*
1.5 EcoBoost (UNCB)	Gasolina	FWD	1499	118	160	09.14-03.22	*
1.5 EcoBoost (UNCE)	Gasolina	FWD	1499	118	160	09.14-03.22	*
1.5 EcoBoost (UNCF)	Gasolina	FWD	1499	118	160	09.14-03.22	*
1.5 EcoBoost (UNCN)	Gasolina	FWD	1499	121	165	05.18-03.22	*
2.0 EcoBoost (TNCD)	Gasolina	FWD	1999	149	203	09.14-03.22	*
2.0 EcoBoost (TNCF)	Gasolina	FWD	1999	149	203	09.14-03.22	*
2.0 EcoBoost (R9CB)	Gasolina	FWD	1999	176	240	09.14-03.22	*

LISTA DE APLICACIONES - BUYERS GUIDE

2.0 EcoBoost (R9CF)		Gasolina	FWD	1999	176	240	09.14-03.22	*
2.0 EcoBoost (R9CH)		Gasolina	FWD	1999	176	240	09.14-03.22	*
1.5 TDCi (UGCC)		Diesel	FWD	1499	88	120	03.15-03.22	*
1.5 TDCi (XUCA)		Diesel	FWD	1499	88	120	03.15-03.22	*
1.6 TDCi (NGCA)		Diesel	FWD	1560	85	115	09.14-03.22	*
1.6 TDCi (U3CA)		Diesel	FWD	1560	85	115	09.14-03.22	*
2.0 EcoBlue (BCCD)		Diesel	FWD	1995	88	120	01.19-03.22	*
2.0 EcoBlue (YLCC)		Diesel	FWD	1995	110	150	01.19-03.22	*
2.0 EcoBlue (YMCC)		Diesel	FWD	1995	140	190	01.19-03.22	*
2.0 EcoBlue 4x4 (YMCC)		Diesel	4WD	1995	140	190	01.19-03.22	*
2.0 TDCi (T7CA)		Diesel	FWD	1998	110	150	09.14-03.22	*
2.0 TDCi (T7CC)		Diesel	FWD	1998	110	150	09.14-03.22	*
2.0 TDCi (T7CD)		Diesel	FWD	1998	110	150	09.14-03.22	*
2.0 TDCi (T7CE)		Diesel	FWD	1998	110	150	09.14-03.22	*
2.0 TDCi (T7CF)		Diesel	FWD	1998	110	150	09.14-03.22	*
2.0 TDCi (T7CN)		Diesel	FWD	1998	110	150	09.14-03.22	*
2.0 TDCi (T7CP)		Diesel	FWD	1998	110	150	09.14-03.22	*
2.0 TDCi (T7CQ)		Diesel	FWD	1998	110	150	09.14-03.22	*
2.0 TDCi 4x4 (T7CA)		Diesel	4WD	1998	110	150	02.15-03.22	*
2.0 TDCi 4x4 (T7CC)		Diesel	4WD	1998	110	150	02.15-03.22	*
2.0 TDCi 4x4 (T7CD)		Diesel	4WD	1998	110	150	02.15-03.22	*
2.0 TDCi 4x4 (T7CE)		Diesel	4WD	1998	110	150	02.15-03.22	*
2.0 TDCi 4x4 (T7CF)		Diesel	4WD	1998	110	150	02.15-03.22	*
2.0 TDCi 4x4 (T7CN)		Diesel	4WD	1998	110	150	02.15-03.22	*
2.0 TDCi 4x4 (T7CP)		Diesel	4WD	1998	110	150	02.15-03.22	*
2.0 TDCi 4x4 (T7CQ)		Diesel	4WD	1998	110	150	02.15-03.22	*
2.0 TDCi (T8CA)		Diesel	FWD	1998	132	180	09.14-03.22	*
2.0 TDCi (T8CC)		Diesel	FWD	1998	132	180	09.14-03.22	*
2.0 TDCi (T8CD)		Diesel	FWD	1998	132	180	09.14-03.22	*
2.0 TDCi (T8CL)		Diesel	FWD	1998	132	180	09.14-03.22	*
2.0 TDCi 4x4 (T8CA)		Diesel	4WD	1998	132	180	02.15-03.22	*
2.0 TDCi 4x4 (T8CB)		Diesel	4WD	1998	132	180	02.15-03.22	*
2.0 TDCi 4x4 (T8CC)		Diesel	4WD	1998	132	180	02.15-03.22	*
2.0 TDCi 4x4 (T8CD)		Diesel	4WD	1998	132	180	02.15-03.22	*
2.0 TDCi 4x4 (T8CL)		Diesel	4WD	1998	132	180	02.15-03.22	*
2.0 TDCi Bi-Turbo (T9CA)		Diesel	FWD	1998	154	210	03.15-03.22	*
MONDEO V (CD) 09.12-							Sedán (Large family car-D Segment)	
1.0 EcoBoost (M1CA)		Gasolina	FWD	998	92	125	02.15-03.22	*
1.0 EcoBoost (M1CB)		Gasolina	FWD	998	92	125	02.15-03.22	*
1.5 EcoBoost (UNCA)		Gasolina	FWD	1499	118	160	09.14-03.22	*
1.5 EcoBoost (UNCB)		Gasolina	FWD	1499	118	160	09.14-03.22	*
1.5 EcoBoost (UNCE)		Gasolina	FWD	1499	118	160	09.14-03.22	*
1.5 EcoBoost (UNCF)		Gasolina	FWD	1499	118	160	09.14-03.22	*
1.5 EcoBoost (UNCN)		Gasolina	FWD	1499	121	165	01.19-03.22	*
2.0 EcoBoost (TNCC)		Gasolina	FWD	1999	146	199	05.15-03.22	*
2.0 EcoBoost (TNCD)		Gasolina	FWD	1999	149	203	05.15-03.22	*
2.0 EcoBoost (TNCF)		Gasolina	FWD	1999	149	203	05.15-03.22	*
2.0 EcoBoost (R9CB)		Gasolina	FWD	1999	176	240	05.15-03.22	*
2.0 EcoBoost (R9CF)		Gasolina	FWD	1999	176	240	05.15-03.22	*
2.0 EcoBoost (R9CH)		Gasolina	FWD	1999	176	240	05.15-03.22	*
2.0 EcoBoost		Gasolina	FWD	1999	179	243	09.12-07.16	*

LISTA DE APLICACIONES - BUYERS GUIDE

2.5 (S7CB)		Gasolina	FWD	2489	110	149	05.15-03.22	*
2.0 Hybrid (UACA)		Gasol./el éc.	FWD	1999	103	140	10.14-	*
2.0 Hybrid		Gasol./el éc.	FWD	1999	130	177	09.14-03.22	*
2.0 Hybrid		Gasol./el éc.	FWD	1999	138	188	01.19-03.22	*
2.0 Hybrid		Gasol./el éc.	FWD	1999	140	190	09.14-03.22	*
1.5 TDCi (UGCC)		Diesel	FWD	1499	88	120	03.15-03.22	*
1.5 TDCi (XUCA)		Diesel	FWD	1499	88	120	03.15-03.22	*
2.0 EcoBlue (BCCD)		Diesel	FWD	1995	88	120	01.19-03.22	*
2.0 EcoBlue (YLCC)		Diesel	FWD	1995	110	150	01.19-03.22	*
2.0 EcoBlue (YMCC)		Diesel	FWD	1995	140	190	01.19-03.22	*
2.0 EcoBlue 4x4 (YMCC)		Diesel	4WD	1995	140	190	01.19-03.22	*
2.0 TDCi (T7CA)		Diesel	FWD	1998	110	150	09.14-03.22	*
2.0 TDCi (T7CC)		Diesel	FWD	1998	110	150	09.14-03.22	*
2.0 TDCi (T7CD)		Diesel	FWD	1998	110	150	09.14-03.22	*
2.0 TDCi (T7CE)		Diesel	FWD	1998	110	150	09.14-03.22	*
2.0 TDCi (T7CF)		Diesel	FWD	1998	110	150	09.14-03.22	*
2.0 TDCi (T7CN)		Diesel	FWD	1998	110	150	09.14-03.22	*
2.0 TDCi (T7CP)		Diesel	FWD	1998	110	150	09.14-03.22	*
2.0 TDCi (T7CQ)		Diesel	FWD	1998	110	150	09.14-03.22	*
2.0 TDCi 4x4 (T7CA)		Diesel	4WD	1998	110	150	09.14-03.22	*
2.0 TDCi 4x4 (T7CC)		Diesel	4WD	1998	110	150	09.14-03.22	*
2.0 TDCi 4x4 (T7CD)		Diesel	4WD	1998	110	150	09.14-03.22	*
2.0 TDCi 4x4 (T7CE)		Diesel	4WD	1998	110	150	09.14-03.22	*
2.0 TDCi 4x4 (T7CF)		Diesel	4WD	1998	110	150	09.14-03.22	*
2.0 TDCi 4x4 (T7CN)		Diesel	4WD	1998	110	150	09.14-03.22	*
2.0 TDCi 4x4 (T7CP)		Diesel	4WD	1998	110	150	09.14-03.22	*
2.0 TDCi 4x4 (T7CQ)		Diesel	4WD	1998	110	150	09.14-03.22	*
2.0 TDCi (T8CA)		Diesel	FWD	1998	132	180	05.15-03.22	*
2.0 TDCi (T8CC)		Diesel	FWD	1998	132	180	05.15-03.22	*
2.0 TDCi (T8CD)		Diesel	FWD	1998	132	180	05.15-03.22	*
2.0 TDCi (T8CL)		Diesel	FWD	1998	132	180	05.15-03.22	*
2.0 TDCi 4x4 (T8CA)		Diesel	4WD	1998	132	180	05.15-03.22	*
2.0 TDCi 4x4 (T8CC)		Diesel	4WD	1998	132	180	05.15-03.22	*
2.0 TDCi 4x4 (T8CD)		Diesel	4WD	1998	132	180	05.15-03.22	*
2.0 TDCi 4x4 (T8CL)		Diesel	4WD	1998	132	180	05.15-03.22	*
2.0 TDCi Bi-Turbo (T9CA)		Diesel	FWD	1998	154	210	05.15-03.22	*
MONDEO V Turnier (CF) 09.14-							[CAMBIADO]:Break (Large family car-D Segment)	
1.0 EcoBoost (M1CA)		Gasolina	FWD	998	92	125	02.15-03.22	*
1.0 EcoBoost (M1CB)		Gasolina	FWD	998	92	125	02.15-03.22	*
1.5 EcoBoost (UNCA)		Gasolina	FWD	1499	118	160	09.14-03.22	*
1.5 EcoBoost (UNCB)		Gasolina	FWD	1499	118	160	09.14-03.22	*
1.5 EcoBoost (UNCE)		Gasolina	FWD	1499	118	160	09.14-03.22	*
1.5 EcoBoost (UNCF)		Gasolina	FWD	1499	118	160	09.14-03.22	*
1.5 EcoBoost (UNCN)		Gasolina	FWD	1499	121	165	05.18-03.22	*
2.0 EcoBoost (TNCB)		Gasolina	FWD	1999	149	203	09.14-03.22	*
2.0 EcoBoost (TNCD)		Gasolina	FWD	1999	149	203	09.14-03.22	*
2.0 EcoBoost (TNCF)		Gasolina	FWD	1999	149	203	09.14-03.22	*
2.0 EcoBoost (R9CB)		Gasolina	FWD	1999	176	240	09.14-03.22	*
2.0 EcoBoost (R9CF)		Gasolina	FWD	1999	176	240	09.14-03.22	*

LISTA DE APLICACIONES - BUYERS GUIDE

2.0 EcoBoost (R9CH)		Gasolina	FWD	1999	176	240	09.14-03.22	*
2.0 Hybrid (UACA)		Gasol./el éc.	FWD	1999	103	140	02.19-	*
2.0 Hybrid iVCT		Gasol./el éc.	FWD	1999	138	188	01.19-03.22	*
1.5 TDCi (UGCC)		Diesel	FWD	1499	88	120	03.15-03.22	*
1.5 TDCi (XUCA)		Diesel	FWD	1499	88	120	03.15-03.22	*
1.6 TDCi (NGCA)		Diesel	FWD	1560	85	115	09.14-03.22	*
1.6 TDCi (U3CA)		Diesel	FWD	1560	85	115	09.14-03.22	*
2.0 EcoBlue (BCCD)		Diesel	FWD	1995	88	120	01.19-03.22	*
2.0 EcoBlue (YLCC)		Diesel	FWD	1995	110	150	01.19-03.22	*
2.0 EcoBlue (YMCC)		Diesel	FWD	1995	140	190	01.19-03.22	*
2.0 EcoBlue 4x4 (YMCC)		Diesel	4WD	1995	140	190	01.19-03.22	*
2.0 TDCi (T7CA)		Diesel	FWD	1998	110	150	09.14-03.22	*
2.0 TDCi (T7CC)		Diesel	FWD	1998	110	150	09.14-03.22	*
2.0 TDCi (T7CD)		Diesel	FWD	1998	110	150	09.14-03.22	*
2.0 TDCi (T7CE)		Diesel	FWD	1998	110	150	09.14-03.22	*
2.0 TDCi (T7CF)		Diesel	FWD	1998	110	150	09.14-03.22	*
2.0 TDCi (T7CN)		Diesel	FWD	1998	110	150	09.14-03.22	*
2.0 TDCi (T7CP)		Diesel	FWD	1998	110	150	09.14-03.22	*
2.0 TDCi (T7CQ)		Diesel	FWD	1998	110	150	09.14-03.22	*
2.0 TDCi 4x4 (T7CA)		Diesel	4WD	1998	110	150	02.15-03.22	*
2.0 TDCi 4x4 (T7CC)		Diesel	4WD	1998	110	150	02.15-03.22	*
2.0 TDCi 4x4 (T7CD)		Diesel	4WD	1998	110	150	02.15-03.22	*
2.0 TDCi 4x4 (T7CE)		Diesel	4WD	1998	110	150	02.15-03.22	*
2.0 TDCi 4x4 (T7CF)		Diesel	4WD	1998	110	150	02.15-03.22	*
2.0 TDCi 4x4 (T7CN)		Diesel	4WD	1998	110	150	02.15-03.22	*
2.0 TDCi 4x4 (T7CP)		Diesel	4WD	1998	110	150	02.15-03.22	*
2.0 TDCi 4x4 (T7CQ)		Diesel	4WD	1998	110	150	02.15-03.22	*
2.0 TDCi (T8CA)		Diesel	FWD	1998	132	180	09.14-03.22	*
2.0 TDCi (T8CB)		Diesel	FWD	1998	132	180	09.14-03.22	*
2.0 TDCi (T8CC)		Diesel	FWD	1998	132	180	09.14-03.22	*
2.0 TDCi (T8CD)		Diesel	FWD	1998	132	180	09.14-03.22	*
2.0 TDCi (T8CL)		Diesel	FWD	1998	132	180	09.14-03.22	*
2.0 TDCi 4x4 (T8CA)		Diesel	4WD	1998	132	180	02.15-03.22	*
2.0 TDCi 4x4 (T8CB)		Diesel	4WD	1998	132	180	02.15-03.22	*
2.0 TDCi 4x4 (T8CC)		Diesel	4WD	1998	132	180	02.15-03.22	*
2.0 TDCi 4x4 (T8CD)		Diesel	4WD	1998	132	180	02.15-03.22	*
2.0 TDCi 4x4 (T8CL)		Diesel	4WD	1998	132	180	02.15-03.22	*
2.0 TDCi Bi-Turbo (T9CA)		Diesel	FWD	1998	154	210	03.15-03.22	*
S-MAX II (CJ, WA6) 01.15-							MPV (Large MPV-M1 Segment)	
2.0 EcoBoost (R9CD)		Gasolina	FWD	1999	176	240	01.15-04.23	*
2.0 EcoBoost (R9CI)		Gasolina	FWD	1999	176	240	01.15-04.23	*
2.0 EcoBlue (BCCC)		Diesel	FWD	1995	140	190	07.18-04.23	*
2.0 EcoBlue 4x4 (BCCC)		Diesel	4WD	1995	140	190	07.18-04.23	*
2.0 EcoBlue BI-Turbo (YLCB)		Diesel	FWD	1995	176	240	07.18-04.23	*
FORD (CHANGAN)								
EDGE 04.15-							SUV (Compact SUV-J Segment)	
2.0 GTDi (CAF488WQ5,CAF488WQB6)		Gasolina	FWD	1999	180	245	04.15-	*
2.0 GTDi (CAF488WQ5,CAF488WQB6)		Gasolina	4WD	1999	180	245	04.15-	*
2.7 GTDi 4WD (GTDIQ5)		Gasolina	4WD	2694	242	329	04.15-	*

LISTA DE APLICACIONES - BUYERS GUIDE

EDGE PLUS 12.20-					SUV (Compact SUV-J Segment)			
EcoBoost 245 (CAF488WQB6)	Gasolina	FWD	1999	180	245	12.20-		*
EcoBoost 245 4WD (CAF488WQB6)	Gasolina	4WD	1999	180	245	12.20-		*
ESCAPE IV 12.19-					SUV (Compact SUV-J Segment)			
EcoBoost 245 (CAF488WQE6)	Gasolina	FWD	1999	182	248	04.00-		*
EcoBoost 245 A las 4 ruedas (CAF488WQE6)	Gasolina	4WD	1999	182	248	12.19-		*
FORD AUSTRALIA								
ENDURA (CA) 10.18-					SUV (Compact SUV-J Segment)			
2.0 (BCCA, BCCB)	Diesel	FWD	1995	140	190	10.18-		*
2.0 AWD (BCCA, BCCB)	Diesel	4WD	1995	140	190	10.18-		*
ESCAPE IV (ZH) 04.20-					SUV (Compact SUV-J Segment)			
2.0 EcoBoost	Gasolina	FWD	1997	183	249	04.20-		*
2.0 EcoBoost	Gasolina	4WD	1997	183	249	04.20-		*
2.5 Hybrid	Gasol./el éc.	FWD	2488	167	227	04.20-		*
FOCUS (SA) 08.18-					[CAMBIADO]:Break (Compact car-C Segment)			
1.5 EcoBoost (Y1DA)	Gasolina	FWD	1496	134	182	08.18-		*
2.0 EcoBoost (YLDA)	Gasolina	FWD	1995	110	150	08.18-		*
FOCUS (SA) 08.18-					[CAMBIADO]:Fastback (Compact car-C Segment)			
1.5 EcoBoost (Y1DA)	Gasolina	FWD	1496	134	182	08.18-		*
2.3 ST	Gasolina	FWD	2261	206	280	12.19-		*
FORD USA								
EDGE II (CD539) 01.14-					SUV (Compact SUV-J Segment)			
2.0	Gasolina	FWD	1999	183	249	09.14-		*
2.0 AWD	Gasolina	4WD	1999	183	249	09.14-		*
2.0	Gasolina	FWD	1999	186	253	01.15-		*
2.0 AWD	Gasolina	4WD	1999	186	253	01.15-		*
2.7	Gasolina	FWD	2694	235	320	09.14-12.17		*
2.7 AWD	Gasolina	4WD	2694	235	320	09.14-12.17		*
2.7	Gasolina	FWD	2694	239	325	09.14-		*
2.7 AWD	Gasolina	4WD	2694	239	325	09.14-		*
2.7 AWD	Gasolina	4WD	2694	250	340	01.15-		*
3.5	Gasolina	FWD	3496	208	283	09.14-		*
3.5 AWD	Gasolina	4WD	3496	208	283	09.14-		*
3.5 AWD	Gasolina	4WD	3496	209	284	09.14-		*
3.5	Gasolina	FWD	3496	213	290	09.14-		*
2.0 EcoBlue (YMCA)	Diesel	FWD	1995	110	150	08.18-		*
2.0 EcoBlue AWD (BCCA)	Diesel	4WD	1995	140	190	08.18-		*
2.0 EcoBlue AWD (BCCB)	Diesel	4WD	1995	140	190	08.18-		*
2.0 EcoBlue AWD (YLCA)	Diesel	4WD	1995	175	238	08.18-		*
LINCOLN								
CORSAIR SUV (J2_) 09.19-					SUV (Luxury Crossover SUV-J Segment)			
2.0	Gasolina	FWD	1999	186	253	09.19-		*
2.0 AWD	Gasolina	4WD	1999	186	253	09.19-		*
2.4	Gasolina	FWD	2266	220	299	09.19-		*
2.4 AWD	Gasolina	4WD	2266	220	299	09.19-		*
LINCOLN (CHANGAN)								

LISTA DE APLICACIONES - BUYERS GUIDE

CORSAIR 03.20-				Closed SUV (Luxury Crossover SUV-J Segment)			
2.0	Gasolina	FWD	1999	180	245	02.20-	*
2.0 AWD	Gasolina	4WD	1999	180	245	02.20-	*