

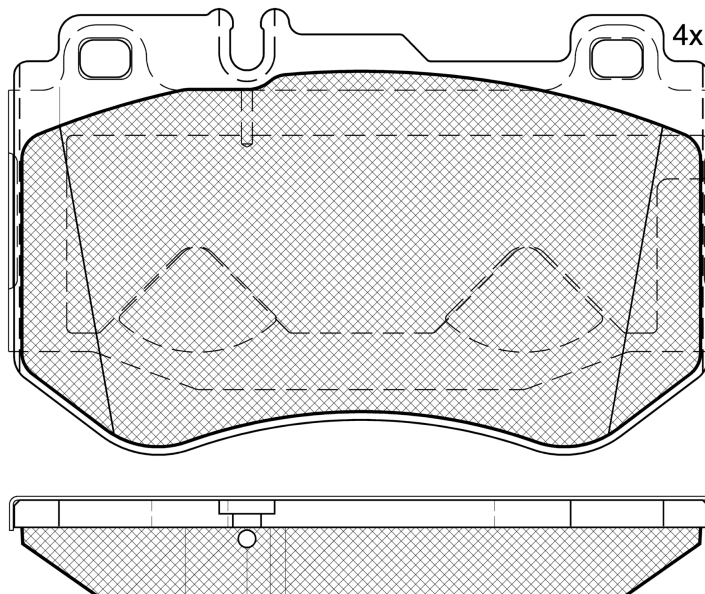
LISTA DE APLICACIONES - BUYERS GUIDE

RB2197



Qty: 300 Weight: 2.460

O.E.M.	MAKE
0004209503	MERCEDES-BENZ
008 420 17 20	MERCEDES-BENZ



RB2197

E 9 90R-02A0111/4134



Brembo

129.3x81.8x18.5

WVA	FMSI
25997	D1862-9091

Sin Filas



Trac.	CC	Kw	CV
-------	----	----	----



Front / Rear

MERCEDES-BENZ

C-Class IV (A205) 06.16-							Cabrio (Compact executive car-D Segment)		
C 180 (205.476) (M 264.915)		Gasolina	RWD	1497	115	156	06.19-04.23	*	
C 180 (205.440) (M 274.910)		Gasolina	RWD	1595	115	156	06.16-08.20	*	
C 200 (205.442) (M 274.920)		Gasolina	RWD	1991	135	184	06.16-05.18	*	
C 200 4-matic (205.443) (M 274.920)		Gasolina	4WD	1991	135	184	06.16-05.18	*	
C 200 (205.480) (M 264.920)		Gasolina	RWD	1991	150	204	08.19-04.23	*	
C 300 (205.483) (M 264.920)		Gasolina	RWD	1991	190	258	05.18-04.23	*	
C 300 4-matic (205-484) (M 264.920)		Gasolina	4WD	1991	190	258	05.18-	*	
C 200 EQ Boost (205.477) (M 264.915)		Gasol./el éc.	RWD	1497	135	184	05.18-04.23	*	
C 200 EQ Boost 4-matic (205.478) (M 264.915)		Gasol./el éc.	4WD	1497	135	184	05.18-04.23	*	
C 300 EQ Boost (205.483) (M 264.920)		Gasol./el éc.	RWD	1991	190	258	05.19-04.23	*	
C 300 EQ Boost 4-matic (205.484) (M 264.920)		Gasol./el éc.	4WD	1991	190	258	05.19-04.23	*	
C 200 d (205.401) (OM 654.916)		Diesel	RWD	1597	118	160	07.18-11.19	*	
C 220 d (205.414) (OM 654.920)		Diesel	RWD	1950	143	194	04.18-04.23	*	
C 220 d 4-matic (205.415) (OM 654.920)		Diesel	4WD	1950	143	194	06.18-04.23	*	
C 220 d (205.404) (OM 651.921)		Diesel	RWD	2143	120	163	06.16-05.18	*	
C 220 d (205.404) (OM 651.921)		Diesel	RWD	2143	125	170	06.16-05.18	*	
C 220 d 4-matic (205.405) (OM 651.921)		Diesel	4WD	2143	125	170	06.16-05.18	*	
C-Class IV (C205) 10.15-							Coupé (Compact executive car-D Segment)		
C 180 (205.376) (M 264.915)		Gasolina	RWD	1497	115	156	06.19-04.23	*	
C 180 (205.340) (M 274.910)		Gasolina	RWD	1595	110	150	11.18-08.20	*	

LISTA DE APLICACIONES - BUYERS GUIDE

C 180 (205.340) (M 274.910)	Gasolina	RWD	1595	115	156	10.15-08.20	*
C 200 (205.342) (M 274.920)	Gasolina	RWD	1991	135	184	10.15-05.18	*
C 200 4-matic (205.343) (M 274.920)	Gasolina	4WD	1991	135	184	04.16-05.18	*
C 300 (205.048)	Gasolina	FWD	1991	180	245	09.16-	*
C 300 (205.348) (M 274.920)	Gasolina	RWD	1991	180	245	10.15-12.18	*
C 300 (205.383) (M 264.920)	Gasolina	RWD	1991	190	258	05.18-04.23	*
C 300 4-matic (205.384) (M 264.920)	Gasolina	4WD	1991	190	258	05.18-04.23	*
C 400 4-matic (205.366) (M 276.823)	Gasolina	4WD	2996	245	333	04.16-06.22	*
C 200 EQ Boost (205.377) (M 264.915)	Gasol./el éc.	RWD	1497	135	184	05.18-04.23	*
C 200 EQ Boost 4-matic (205.478) (M 264.915)	Gasol./el éc.	4WD	1497	135	184	05.18-04.23	*
C 300 EQ Boost (205.383) (M 264.920)	Gasol./el éc.	RWD	1991	190	258	05.19-04.23	*
C 300 EQ Boost 4-matic (205.484) (M 264.920)	Gasol./el éc.	4WD	1991	190	258	05.19-04.23	*
C 200 d (205.301) (OM 654.916)	Diesel	RWD	1597	118	160	07.18-11.19	*
C 220 d (205.314) (OM 654.920)	Diesel	RWD	1950	143	194	04.18-04.23	*
C 220 d 4-matic (205.315) (OM 654.920)	Diesel	4WD	1950	143	194	06.18-04.23	*
C 220 d (205.304) (OM 651.921)	Diesel	RWD	2143	120	163	10.15-05.18	*
C 220 d (205.304) (OM 651.921)	Diesel	RWD	2143	125	170	10.15-05.18	*
C 220 d 4-matic (205.305) (OM 651.921)	Diesel	4WD	2143	125	170	04.16-05.18	*
C-Class IV (W205) 07.13-						Sedán (Compact executive car-D Segment)	
C 160 (205.075) (M 264.915)	Gasolina	RWD	1497	95	129	06.19-05.21	*
C 180 (205.076) (M 264.915)	Gasolina	RWD	1497	115	156	06.19-05.21	*
C 160 (205.044) (M 274.910)	Gasolina	RWD	1595	95	129	04.15-11.19	*
C 180 (205.040) (M 274.910)	Gasolina	RWD	1595	110	150	10.18-03.21	*
C 180 (205.040, 205.140) (M 274.910)	Gasolina	RWD	1595	115	156	03.14-03.21	*
C200 (205.042) (M 274.920)	Gasolina	RWD	1991	135	184	12.13-08.18	*
C 200 4-matic (205.043) (M 274.920)	Gasolina	4WD	1991	135	184	04.15-08.18	*
C 200 (205.080)	Gasolina	RWD	1991	150	204	08.19-05.21	*
C 200 4-matic (205.079) (M 264.920)	Gasolina	4WD	1991	150	204	08.19-05.21	*
C 250 (205.045) (M 274.920)	Gasolina	RWD	1991	155	211	03.14-05.18	*
C 300 (205.048) (M 274.920)	Gasolina	RWD	1991	180	245	09.15-08.18	*
C 300 4-matic (205.049) (M 274.920)	Gasolina	4WD	1991	180	245	12.13-08.18	*
C 400 4-matic (205.066) (M 276.823)	Gasolina	4WD	2996	245	333	10.14-11.20	*
C 450 AMG 4-matic (205.064) (M 276.823)	Gasolina	4WD	2996	270	367	04.15-05.18	*
AMG C 63 (205.086) (M 177.980)	Gasolina	RWD	3982	350	476	10.14-05.21	*
AMG C 63 S (205.087) (M 177.980)	Gasolina	RWD	3982	375	510	10.14-05.21	*
C 180 Flex (205.040) (M 274.910)	Gasol./Et anol	RWD	1595	115	156	06.15-	*
C 200 EQ Boost (205.077) (M 264.915)	Gasol./el éc.	RWD	1497	135	184	04.18-06.21	*
C 200 EQ Boost 4-matic (205.478) (M 264.915)	Gasol./el éc.	4WD	1497	135	184	04.18-05.21	*
C 350 e (205.047) (M 274.920)	Gasol./el éc.	RWD	1991	155	211	02.15-08.18	*
C 350 e (205.047) (M 274.920)	Gasol./el éc.	RWD	1991	205	279	02.15-08.18	*
C 300 BlueTEC Hybrid / h (205.212) (OM 651.921)	Diesel/el éc.	RWD	2143	170	231	05.14-05.18	*
C 180 d (205.000) (OM 654.916)	Diesel	RWD	1597	90	122	05.18-05.21	*
C 200 d (205.001) (OM 654.916)	Diesel	RWD	1597	118	160	05.18-05.21	*
C 180 BlueTEC / d (205.036) (OM 626.951)	Diesel	RWD	1598	85	116	05.14-05.18	*
C 200 BlueTEC / d (205.037) (OM 626.951)	Diesel	RWD	1598	100	136	05.14-05.18	*
C 200 d (205.011) (OM 654.920)	Diesel	RWD	1950	110	150	05.18-11.18	*

LISTA DE APLICACIONES - BUYERS GUIDE

C 220 d (205.014) (OM 654.920)		Diesel	RWD	1950	143	194	05.18-05.21	*
C 220 d 4-matic (205.015) (OM 654.920)		Diesel	4WD	1950	143	194	05.18-05.21	*
C 300 d (205.018) (OM 654.920)		Diesel	RWD	1950	180	245	06.18-05.21	*
C 300 d 4-matic (205.019) (OM 654.920)		Diesel	4WD	1950	180	245	06.18-05.21	*
C 200 d (205.007) (OM 651.921)		Diesel	RWD	2143	100	136	10.15-05.18	*
C 220 BlueTEC / d (205.003) (OM 651.921)		Diesel	RWD	2143	120	163	03.14-05.16	*
C 220 BlueTEC / d (205.003) (OM 651.921)		Diesel	RWD	2143	125	170	02.14-05.18	*
C 220 d 4-matic (205.005) (OM 651.921)		Diesel	4WD	2143	125	170	04.15-05.18	*
C 250 BlueTEC / d (205.008, 205.006) (OM 651.921)		Diesel	RWD	2143	150	204	02.14-05.18	*
C 250 BlueTEC / d 4-matic (205.209) (OM 651.921)		Diesel	4WD	2143	150	204	02.14-05.18	*
C-Class IV T-Model (S205) 09.14-						[CAMBIADO]:Break (Compact executive car-D Segment)		
C 160 (205.275) (M 264.915)		Gasolina	RWD	1497	95	129	06.19-11.19	*
C 180 (205.276) (M 264.915)		Gasolina	RWD	1497	115	156	06.19-02.21	*
C 160 (205.244) (M 274.910)		Gasolina	RWD	1595	95	129	04.15-11.19	*
C 180 (205.240) (M 274.910)		Gasolina	RWD	1595	115	156	09.14-08.20	*
C 200 (205.242) (M 274.920)		Gasolina	RWD	1991	135	184	09.14-05.18	*
C 200 4-matic (205.243) (M 274.920)		Gasolina	4WD	1991	135	184	04.15-05.18	*
C 250 (205.245) (M 274.920)		Gasolina	RWD	1991	155	211	09.14-05.18	*
C 300 (205.248) (M 274.920)		Gasolina	RWD	1991	180	245	09.15-05.18	*
C 300 (205.283) (M 264.920)		Gasolina	RWD	1991	190	258	05.18-02.21	*
C 300 4-matic (205.284) (M 264.920)		Gasolina	4WD	1991	190	258	05.18-02.21	*
C 400 4-matic (205.266) (M 276.823)		Gasolina	4WD	2996	245	333	10.14-02.21	*
C 450 AMG 4-matic (205.264) (M 276.823)		Gasolina	4WD	2996	270	367	04.15-05.18	*
AMG C 63 (205.286) (M 177.980)		Gasolina	RWD	3982	350	476	10.15-02.21	*
AMG C 63 S (205.287) (M 177.980)		Gasolina	RWD	3982	375	510	10.15-02.21	*
C180 Flex Avantgarde (205.240) (M 274.910)		Gasol./Etanol	RWD	1595	115	156	06.15-	*
C 200 EQ Boost (205.277) (M 264.915)		Gasol./eléc.	RWD	1497	135	184	04.18-02.21	*
C 200 EQ Boost 4-matic (205.478) (M 264.915)		Gasol./eléc.	4WD	1497	135	184	04.18-02.21	*
C 350 e (205.247) (M 274.920)		Gasol./eléc.	RWD	1991	155	211	02.15-05.18	*
C 300 EQ Boost (205.283) (M 264.920)		Gasol./eléc.	RWD	1991	190	258	05.19-02.21	*
C 300 EQ Boost 4-matic (205.484) (M 264.920)		Gasol./eléc.	4WD	1991	190	258	05.19-02.21	*
C 350 e (205.247) (M 274.920)		Gasol./eléc.	RWD	1991	205	279	02.15-05.18	*
C 300 BlueTEC Hybrid / h (205.212) (OM 651.921)		Diesel/eléc.	RWD	2143	150	204	10.14-05.18	*
C 180 d (205.200) (OM 654.916)		Diesel	RWD	1597	90	122	05.18-02.21	*
C 200 d (205.201) (OM 654.916)		Diesel	RWD	1597	118	160	05.18-02.21	*
C 180 BlueTEC / d (205.236) (OM 626.951)		Diesel	RWD	1598	85	116	09.14-05.18	*
C 200 BlueTEC / d (205.237) (OM 626.951)		Diesel	RWD	1598	100	136	09.14-05.18	*
C 200 d (205.211) (OM 654.920)		Diesel	RWD	1950	110	150	05.18-11.18	*
C 220 d (205.214) (OM 654.920)		Diesel	RWD	1950	143	194	04.18-02.21	*
C 220 d 4-matic (205.215) (OM 654.920)		Diesel	4WD	1950	143	194	05.18-02.21	*
C 300 d (205.218) (OM 654.920)		Diesel	RWD	1950	180	245	06.18-02.21	*
C 200 d (205.207) (OM 651.921)		Diesel	RWD	2143	100	136	10.15-05.18	*
C 220 BlueTEC / d (205.204) (OM 651.921)		Diesel	RWD	2143	120	163	09.14-05.18	*
C 220 BlueTEC / d (205.204) (OM 651.921)		Diesel	RWD	2143	125	170	09.14-05.18	*
C 220 d 4-matic (205.205) (OM 651.921)		Diesel	4WD	2143	125	170	04.15-05.18	*
C 250 BlueTEC / d (205.208) (OM 651.921)		Diesel	RWD	2143	150	204	09.14-05.18	*
C 250 BlueTEC / d 4-matic (205.209) (OM 651.921)		Diesel	4WD	2143	150	204	10.14-05.18	*

LISTA DE APLICACIONES - BUYERS GUIDE