

# LISTA DE APLICACIONES - BUYERS GUIDE

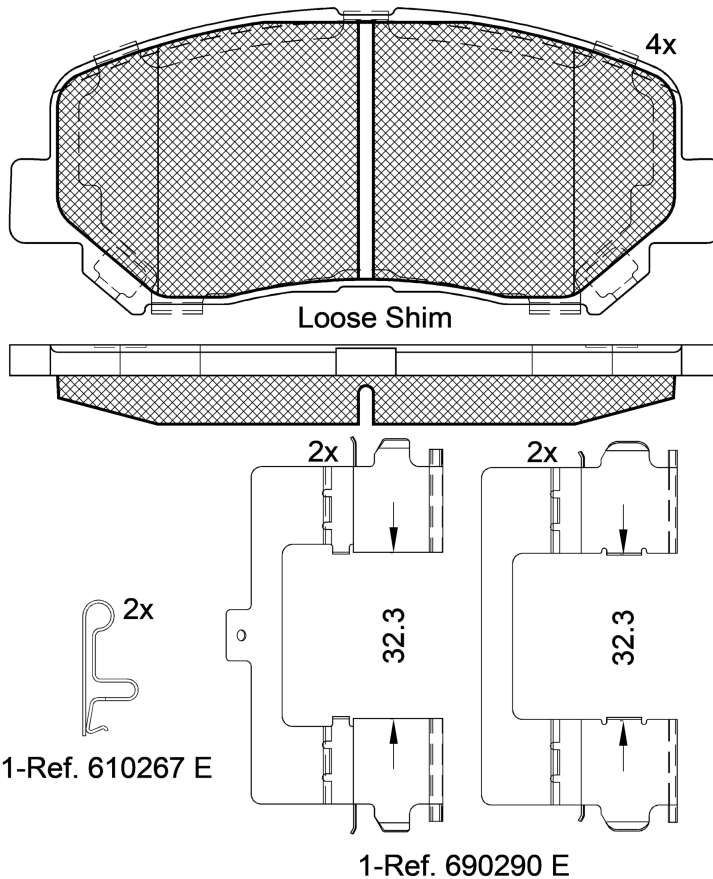
## RB2196-200



Qty: 300

Weight: 2.055

O.E.M.	MAKE
6816 0695AA	DODGE



## RB2196-200

**E 9** 90R-02A0111/4186



Akebono

141.9x61x19

WVA	FMSI
25564	D1640-8867

Sin Filas



Trac.	CC	Kw	CV
-------	----	----	----



Front / Rear

### DODGE

#### DART (PF) 04.12-

#### Sedán (Compact car-C Segment)

1.4 T (EAF)	Gasolina	FWD	1368	119	162	04.12-	*
2.0	Gasolina	FWD	1995	119	162	04.12-	*
2.4	Gasolina	FWD	2360	135	184	09.13-	*
2.4 (ED6)	Gasolina	FWD	2360	137	186	04.12-	*