

# LISTA DE APLICACIONES - BUYERS GUIDE

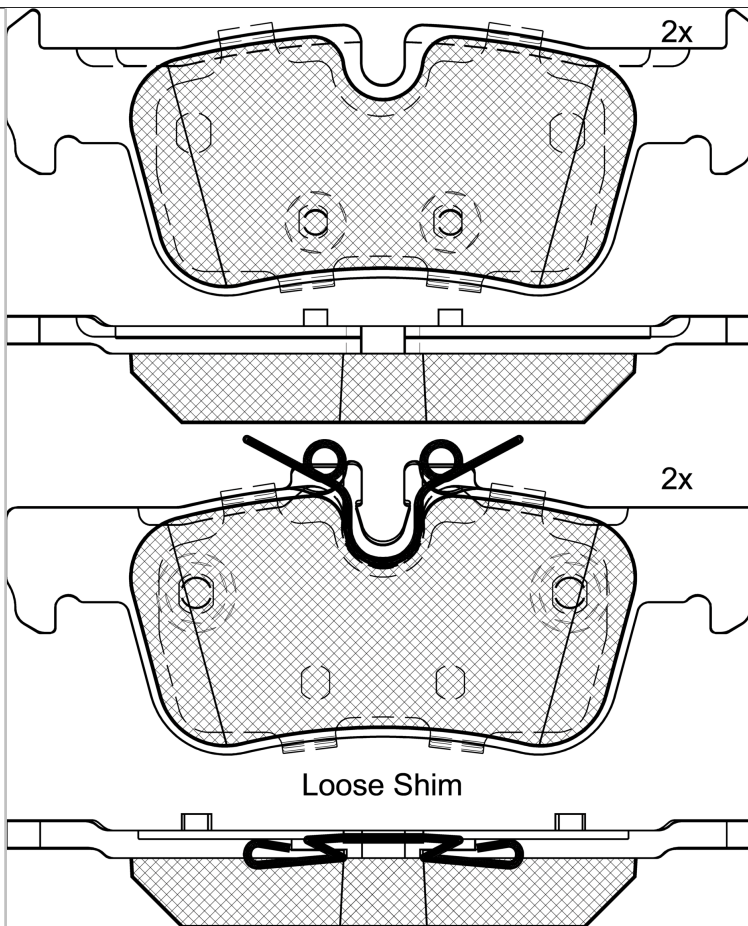
## RB2193



8 424073 139450

Qty: 300

Weight: 890



## RB2193

E 9 90R-02A0111/3972



Ate - Teves

123.1x46.6x16.3

123.1x47.7x16.3

**WVA**

21361

25331

25332

**FMSI**

D1762-8993

D2486-8993

Sin Filas



Trac.	CC	Kw	CV
-------	----	----	----



Front / Rear

### BMW

#### 1 Serie II (F52) 01.17-

					Sedán (Compact car-C Segment)			
118 i (B38 A15 C)	Gasolina	FWD	1499	100	136	01.17-08.19	*	
120 i	Gasolina	FWD	1998	141	192	06.18-	*	

#### 1 Serie III (F40) 07.19-

					[CAMBIADO]:Fastback (Compact car-C Segment)			
116 i (B38 A15 A)	Gasolina	FWD	1499	80	109	11.20-	*	
118 i (B38 A15 A)	Gasolina	FWD	1499	100	136	11.20-	*	
118 i (B38 A15 A)	Gasolina	FWD	1499	103	140	07.19-	*	
120 i (B48 A20 A)	Gasolina	FWD	1998	131	178	11.20-	*	
120 i (B48 A20 F)	Gasolina	FWD	1998	131	178	11.20-	*	
128 ti (B48 A20 B)	Gasolina	FWD	1998	180	245	11.20-	*	
128 ti (B48 A20 E)	Gasolina	FWD	1998	195	265	11.20-	*	
116 d (B37 C15 A)	Diesel	FWD	1496	85	116	07.19-	*	
118 d (B47 C20 B)	Diesel	FWD	1995	100	136	07.19-	*	
118 d (B47 C20 B)	Diesel	FWD	1995	110	150	07.19-	*	
120 d (B47 C20 B)	Diesel	FWD	1995	140	190	03.20-	*	
120 d xDrive (B47 C20 B)	Diesel	4WD	1995	140	190	07.19-	*	

#### 2 Active Tourer (F45) 11.13-

					MPV (Compact car-C Segment)			
216i (B38 A15 A)	Gasolina	FWD	1499	75	102	02.15-02.18	*	
216i (B38 A15 A)	Gasolina	FWD	1499	80	109	03.18-10.21	*	
218i (B38 A15 A)	Gasolina	FWD	1499	100	136	07.14-10.21	*	
218i (B38 A15 A)	Gasolina	FWD	1499	103	140	03.18-10.21	*	
220 i (B48 A20 A)	Gasolina	FWD	1998	120	163	03.14-10.21	*	
220 i (B48 A20 A)	Gasolina	FWD	1998	131	178	11.20-10.21	*	

# LISTA DE APLICACIONES - BUYERS GUIDE

220 i (B48 A20 F)		Gasolina	FWD	1998	131	178	11.20-10.21	*
220 i (B48 A20 A)		Gasolina	FWD	1998	141	192	03.14-10.21	*
220 i (B48 A20 F)		Gasolina	FWD	1998	141	192	03.14-10.21	*
220 i		Gasolina	FWD	1998	141	192	03.16-	*
225 i (B48 A20 B)		Gasolina	FWD	1998	170	231	11.13-12.19	*
225 i xDrive (B48 A20 B)		Gasolina	4WD	1998	170	231	03.14-10.21	*
220 i Flex (B48 A20 A,B48 A20 B)		Gasol./Etanol	FWD	1998	141	192	01.17-	*
225 xe Plug-in-Hybrid (B38 A15 A)		Gasol./eléc.	4WD	1499	92	125	11.20-	*
225 xe Plug-in-Hybrid (IA1)		Gasol./eléc.	4WD	1499	92	125	11.20-	*
225 xe Plug-in-Hybrid (B38 A15 A)		Gasol./eléc.	4WD	1499	100	136	11.14-	*
225 xe Plug-in-Hybrid (IA1)		Gasol./eléc.	4WD	1499	100	136	11.14-	*
225 xe Plug-in-Hybrid (B38 A15 A)		Gasol./eléc.	4WD	1499	162	220	11.20-10.21	*
225 xe Plug-in-Hybrid (IA1)		Gasol./eléc.	4WD	1499	162	220	11.20-10.21	*
225 xe Plug-in-Hybrid (B38 A15 A)		Gasol./eléc.	4WD	1499	165	224	11.14-10.21	*
225 xe Plug-in-Hybrid (IA1)		Gasol./eléc.	4WD	1499	165	224	11.14-10.21	*
214 d (B37 C15 A)		Diesel	FWD	1496	70	95	07.14-02.18	*
216 d (B37 C15 A)		Diesel	FWD	1496	85	116	03.14-10.21	*
218d (B47 C20 A)		Diesel	FWD	1995	100	136	11.13-10.21	*
218d (B47 C20 B)		Diesel	FWD	1995	100	136	11.13-10.21	*
218 d xDrive (B47 C20 A)		Diesel	4WD	1995	100	136	12.14-10.21	*
218 d xDrive (B47 C20 B)		Diesel	4WD	1995	100	136	12.14-10.21	*
218d (B47 C20 A)		Diesel	FWD	1995	110	150	11.13-10.21	*
218d (B47 C20 B)		Diesel	FWD	1995	110	150	11.13-10.21	*
218 d xDrive (B47 C20 A)		Diesel	4WD	1995	110	150	12.14-10.21	*
218 d xDrive (B47 C20 B)		Diesel	4WD	1995	110	150	12.14-10.21	*
220 d (B47 C20 A)		Diesel	FWD	1995	120	163	03.14-10.21	*
220 d (B47 C20 B)		Diesel	FWD	1995	120	163	03.14-10.21	*
220 d xDrive (B47 C20 A)		Diesel	4WD	1995	120	163	03.14-10.21	*
220 d xDrive (B47 C20 B)		Diesel	4WD	1995	120	163	03.14-10.21	*
220 d (B47 C20 A)		Diesel	FWD	1995	140	190	03.14-10.21	*
220 d (B47 C20 B)		Diesel	FWD	1995	140	190	03.14-10.21	*
220 d xDrive (B47 C20 A)		Diesel	4WD	1995	140	190	03.14-10.21	*
220 d xDrive (B47 C20 B)		Diesel	4WD	1995	140	190	03.14-10.21	*
<b>2 Active Tourer Van (F45) 11.13-</b>						<b>Furgoneta/MPV (Compact car-C Segment)</b>		
218i (B38 A15 A)		Gasolina	FWD	1499	103	140	03.18-10.21	*
218d (B47 C20 A)		Diesel	FWD	1995	110	150	07.14-10.21	*
218d (B47 C20 B)		Diesel	FWD	1995	110	150	07.14-10.21	*
220 d (B47 C20 A)		Diesel	FWD	1995	140	190	11.14-10.21	*
220 d (B47 C20 B)		Diesel	FWD	1995	140	190	11.14-10.21	*
<b>2 Gran Coupe (F44) 11.19-</b>						<b>Coupé (Compact car-C Segment)</b>		
218i (B38 A15 A)		Gasolina	FWD	1499	100	136	11.20-	*
218i (B38 A15 A)		Gasolina	FWD	1499	103	140	11.19-	*
220 i (B48 A20 A)		Gasolina	FWD	1998	131	178	11.20-	*
220 i (B48 A20 F)		Gasolina	FWD	1998	131	178	11.20-	*
220 i xDrive		Gasolina	4WD	1998	131	178	03.21-	*
220 i (B48 A20 A,B48 A20 C,B48 A20 F)		Gasolina	FWD	1998	141	192	07.20-	*

# LISTA DE APLICACIONES - BUYERS GUIDE

228 i xDrive (B46 A20 B)		Gasolina	4WD	1998	170	231	11.19-	*	
216 d (B37 C15 A)		Diesel	FWD	1496	85	116	03.20-	*	
218d (B47 C20 B)		Diesel	FWD	1995	100	136	07.20-10.24	*	
218d (B47 C20 B)		Diesel	FWD	1995	110	150	07.20-	*	
220 d (B47 C20 B)		Diesel	FWD	1995	120	163	11.19-	*	
220 d (B47 C20 B)		Diesel	FWD	1995	140	190	11.19-	*	
220 d xDrive (B47 C20 B)		Diesel	4WD	1995	140	190	07.20-10.24	*	
<b>2 Gran Tourer (F46) 07.14-</b>					<b>MPV (Compact car-C Segment)</b>				
216i (B38 A15 A)		Gasolina	FWD	1499	75	102	07.15-02.18	*	
216i (B38 A15 A)		Gasolina	FWD	1499	80	109	03.18-	*	
218i (B38 A15 A)		Gasolina	FWD	1499	100	136	03.15-	*	
218i (B38 A15 A)		Gasolina	FWD	1499	103	140	04.17-	*	
220 i (B48 A20 A)		Gasolina	FWD	1998	120	163	03.15-	*	
220 i (B48 A20 A)		Gasolina	FWD	1998	131	178	11.20-	*	
220 i (B48 A20 F)		Gasolina	FWD	1998	131	178	11.20-	*	
220 i (B48 A20 A)		Gasolina	FWD	1998	141	192	03.15-	*	
214 d (B37 C15 A)		Diesel	FWD	1496	70	95	07.15-02.18	*	
216 d (B37 C15 A)		Diesel	FWD	1496	85	116	03.15-	*	
218d (B47 C20 A)		Diesel	FWD	1995	100	136	07.14-	*	
218d (B47 C20 B)		Diesel	FWD	1995	100	136	07.14-	*	
218 d xDrive (B47 C20 A)		Diesel	4WD	1995	100	136	03.15-	*	
218 d xDrive (B47 C20 B)		Diesel	4WD	1995	100	136	03.15-	*	
218d (B47 C20 A)		Diesel	FWD	1995	110	150	07.14-	*	
218d (B47 C20 B)		Diesel	FWD	1995	110	150	07.14-	*	
218 d xDrive (B47 C20 A)		Diesel	4WD	1995	110	150	03.15-	*	
218 d xDrive (B47 C20 B)		Diesel	4WD	1995	110	150	03.15-	*	
220 d (B47 C20 A)		Diesel	FWD	1995	120	163	09.14-	*	
220 d (B47 C20 B)		Diesel	FWD	1995	120	163	09.14-	*	
220 d xDrive (B47 C20 A)		Diesel	4WD	1995	120	163	03.15-	*	
220 d xDrive (B47 C20 B)		Diesel	4WD	1995	120	163	03.15-	*	
220 d (B47 C20 A)		Diesel	FWD	1995	140	190	09.14-	*	
220 d (B47 C20 B)		Diesel	FWD	1995	140	190	09.14-	*	
220 d xDrive (B47 C20 A)		Diesel	4WD	1995	140	190	03.15-	*	
220 d xDrive (B47 C20 B)		Diesel	4WD	1995	140	190	03.15-	*	
<b>2 Gran Tourer Van (F46) 07.14-</b>					<b>Furgoneta/MPV (Compact car-C Segment)</b>				
218i (B38 A15 A)		Gasolina	FWD	1499	103	140	04.17-	*	
218d (B47 C20 A)		Diesel	FWD	1995	110	150	07.14-	*	
218d (B47 C20 B)		Diesel	FWD	1995	110	150	07.14-	*	
220 d (B47 C20 A)		Diesel	FWD	1995	140	190	07.14-	*	
220 d (B47 C20 B)		Diesel	FWD	1995	140	190	07.14-	*	
<b>2 Serie (F23) 03.14-</b>					<b>Cabrio (Compact car-C Segment)</b>				
225 i (B48 B20 A)		Gasolina	RWD	1998	135	184	10.17-06.21	*	
<b>i3 (I01) 08.13-</b>					<b>[CAMBIADO]:Fastback (City car-A Segment)</b>				
Range Extender (IB1P25B)		Gasol./el éc.	RWD	647	75	102	08.13-	*	
Range Extender (W20K06A)		Gasol./el éc.	RWD	647	75	102	08.13-	*	
s Range Extender (IB1P25B)		Gasol./el éc.	RWD	647	75	102	11.17-	*	
s Range Extender (W20K06A)		Gasol./el éc.	RWD	647	75	102	11.17-	*	

# LISTA DE APLICACIONES - BUYERS GUIDE

Range Extender (IB1P25B)		Gasol./el éc.	RWD	647	125	170	08.13-	*	
Range Extender (W20K06A)		Gasol./el éc.	RWD	647	125	170	08.13-	*	
s Range Extender (IB1P25B)		Gasol./el éc.	RWD	647	135	184	11.17-	*	
s Range Extender (W20K06A)		Gasol./el éc.	RWD	647	135	184	11.17-	*	
Electric (IB1P25B)		Eléctrico	RWD		75	102	08.13-	*	
s Electric (IB1P25B)		Eléctrico	RWD		75	102	11.17-	*	
Electric (IB1P25B)		Eléctrico	RWD		125	170	08.13-	*	
s Electric (IB1P25B)		Eléctrico	RWD		135	184	11.17-	*	
<b>X1 II (F48) 11.14-</b>					<b>SUV (Compact SUV-J Segment)</b>				
sDrive18i (B38 A15 A)		Gasolina	FWD	1499	100	136	11.15-06.22	*	
sDrive18i (B38 A15 A)		Gasolina	FWD	1499	103	140	07.17-06.22	*	
sDrive20i (B48 A20 A)		Gasolina	FWD	1998	131	178	11.20-06.22	*	
sDrive20i (B48 A20 F)		Gasolina	FWD	1998	131	178	11.20-06.22	*	
xDrive20i (B48 A20 A)		Gasolina	4WD	1998	131	178	11.20-06.22	*	
xDrive20i (B48 A20 F)		Gasolina	4WD	1998	131	178	11.20-06.22	*	
sDrive20i (B42 S20 A)		Gasolina	FWD	1998	141	192	07.15-06.22	*	
sDrive20i (B48 A20 A)		Gasolina	FWD	1998	141	192	07.15-06.22	*	
sDrive20i (B48 A20 F)		Gasolina	FWD	1998	141	192	07.15-06.22	*	
xDrive20i (B48 A20 A)		Gasolina	4WD	1998	141	192	07.15-06.22	*	
xDrive20i (B48 A20 B)		Gasolina	4WD	1998	141	192	07.15-06.22	*	
xDrive20i (B48 A20 F)		Gasolina	4WD	1998	141	192	07.15-06.22	*	
sDrive28i (B46 A20 B)		Gasolina	FWD	1998	170	231	11.14-	*	
xDrive 25 i (B42 S20 A)		Gasolina	4WD	1998	170	231	07.15-10.21	*	
xDrive 25 i (B46 A20 B)		Gasolina	4WD	1998	170	231	07.15-10.21	*	
xDrive 25 i (B48 A20 B)		Gasolina	4WD	1998	170	231	07.15-10.21	*	
sDrive 20 i ActiveFlex		Gasol./Et anol	FWD	1998	141	192	07.15-	*	
xDrive 25 i ActiveFlex (B42 S20 A,B48 A20 B)		Gasol./Et anol	4WD	1998	170	231	03.16-01.18	*	
xDrive 25 e Plug-in-Hybrid (B38 A15 A)		Gasol./el éc.	4WD	1499	92	125	03.20-	*	
xDrive 25 e Plug-in-Hybrid (B38 A15 A)		Gasol./el éc.	4WD	1499	162	220	03.20-06.22	*	
sDrive 16 d (B37 C15 A)		Diesel	FWD	1496	85	116	11.14-05.22	*	
sDrive 18 d (B47 C20 A)		Diesel	FWD	1995	100	136	07.15-06.22	*	
xDrive 18 d (B47 C20 A)		Diesel	4WD	1995	100	136	11.14-06.22	*	
sDrive 18 d (B47 C20 A)		Diesel	FWD	1995	110	150	07.15-06.22	*	
sDrive 18 d (B47 C20 B)		Diesel	FWD	1995	110	150	07.15-06.22	*	
xDrive 18 d (B47 C20 A)		Diesel	4WD	1995	110	150	11.14-06.22	*	
xDrive 18 d (B47 C20 B)		Diesel	4WD	1995	110	150	11.14-06.22	*	
sDrive 20 d (B47 C20 A)		Diesel	FWD	1995	120	163	11.15-05.22	*	
sDrive 20 d (B47 C20 B)		Diesel	FWD	1995	120	163	11.15-05.22	*	
xDrive 20 d (B47 C20 A)		Diesel	4WD	1995	120	163	07.15-06.22	*	
xDrive 20 d (B47 C20 B)		Diesel	4WD	1995	120	163	07.15-06.22	*	
sDrive 20 d (B47 C20 A)		Diesel	FWD	1995	140	190	11.15-05.22	*	
sDrive 20 d (B47 C20 B)		Diesel	FWD	1995	140	190	11.15-05.22	*	
xDrive 20 d (B47 C20 A)		Diesel	4WD	1995	140	190	07.15-06.22	*	
xDrive 20 d (B47 C20 B)		Diesel	4WD	1995	140	190	07.15-06.22	*	
xDrive 25 d (B47 C20 B)		Diesel	4WD	1995	170	231	11.14-05.22	*	
<b>X1 II Van (F48) 07.15-</b>					<b>Furgoneta/SUV (Compact SUV-J Segment)</b>				
sDrive18i (B38 A15 A)		Gasolina	FWD	1499	103	140	07.17-06.22	*	

# LISTA DE APLICACIONES - BUYERS GUIDE

sDrive20i (B48 A20 A)		Gasolina	FWD	1998	141	192	07.17-06.22	*	
sDrive 18 d (B47 C20 A)		Diesel	FWD	1995	110	150	07.15-06.22	*	
sDrive 18 d (B47 C20 B)		Diesel	FWD	1995	110	150	07.15-06.22	*	
sDrive 20 d (B47 C20 A)		Diesel	FWD	1995	140	190	11.15-05.22	*	
sDrive 20 d (B47 C20 B)		Diesel	FWD	1995	140	190	11.15-05.22	*	
xDrive 20 d (B47 C20 A)		Diesel	4WD	1995	140	190	07.15-06.22	*	
xDrive 20 d (B47 C20 B)		Diesel	4WD	1995	140	190	07.15-06.22	*	
<b>X2 (F39) 11.17-</b>					<b>SUV (Compact SUV-J Segment)</b>				
sDrive18i (B32 S15 A)		Gasolina	FWD	1499	100	136	03.18-10.23	*	
sDrive18i (B38 A15 A)		Gasolina	FWD	1499	100	136	03.18-10.23	*	
sDrive18i (B38 A15 A)		Gasolina	FWD	1499	103	140	03.18-10.23	*	
sDrive20i (B48 A20 A)		Gasolina	FWD	1998	131	178	11.20-10.23	*	
sDrive20i (B48 A20 F)		Gasolina	FWD	1998	131	178	11.20-10.23	*	
xDrive20i (B48 A20 A)		Gasolina	4WD	1998	131	178	11.20-10.23	*	
sDrive20i (B42 S20 A)		Gasolina	FWD	1998	141	192	11.17-10.23	*	
sDrive20i (B48 A20 A)		Gasolina	FWD	1998	141	192	11.17-10.23	*	
xDrive20i (B48 A20 A)		Gasolina	4WD	1998	141	192	03.18-10.23	*	
sDrive28i (B46 A20 B)		Gasolina	FWD	1998	170	231	03.18-	*	
xDrive28i (B46 A20 B)		Gasolina	4WD	1998	170	231	11.17-	*	
sDrive 18 i ActiveFlex (B32 S15 A)		Gasol./Etanol	FWD	1499	100	136	07.18-	*	
sDrive 20 i ActiveFlex (B42 S20 A)		Gasol./Etanol	FWD	1998	141	192	07.18-	*	
xDrive 25 e Plug-in-Hybrid (B38 A15 A)		Gasol./eléc.	4WD	1499	92	125	03.20-	*	
xDrive 25 e Plug-in-Hybrid (B38 A15 A)		Gasol./eléc.	4WD	1499	162	220	03.20-10.23	*	
sDrive 16 d (B37 C15 A)		Diesel	FWD	1496	85	116	11.18-10.23	*	
sDrive 18 d (B47 C20 A)		Diesel	FWD	1995	100	136	03.18-10.23	*	
sDrive 18 d (B47 C20 B)		Diesel	FWD	1995	100	136	03.18-10.23	*	
xDrive 18 d (B47 C20 B)		Diesel	4WD	1995	100	136	03.18-10.23	*	
sDrive 18 d (B47 C20 A)		Diesel	FWD	1995	110	150	03.18-10.23	*	
sDrive 18 d (B47 C20 B)		Diesel	FWD	1995	110	150	03.18-10.23	*	
xDrive 18 d (B47 C20 B)		Diesel	4WD	1995	110	150	03.18-10.23	*	
sDrive 20 d (B47 C20 A)		Diesel	FWD	1995	120	163	11.18-10.23	*	
sDrive 20 d (B47 C20 B)		Diesel	FWD	1995	120	163	11.18-10.23	*	
xDrive 20 d (B47 C20 A)		Diesel	4WD	1995	120	163	11.17-10.23	*	
xDrive 20 d (B47 C20 B)		Diesel	4WD	1995	120	163	11.17-10.23	*	
sDrive 20 d (B47 C20 A)		Diesel	FWD	1995	140	190	11.18-10.23	*	
sDrive 20 d (B47 C20 B)		Diesel	FWD	1995	140	190	11.18-10.23	*	
xDrive 20 d (B47 C20 A)		Diesel	4WD	1995	140	190	11.17-10.23	*	
xDrive 20 d (B47 C20 B)		Diesel	4WD	1995	140	190	11.17-10.23	*	
xDrive 25 d (B47 C20 B)		Diesel	4WD	1995	170	231	11.17-09.23	*	
<b>BMW (BRILLIANCE)</b>									
<b>1 SERIES (F52) 01.17-</b>					<b>Sedán (Compact car-C Segment)</b>				
118 i (B38 A15 C)		Gasolina	FWD	1499	100	136	01.17-08.19	*	
120 i (B38 A15 C)		Gasolina	FWD	1499	103	140	09.19-	*	
125 i (B48 A20 C)		Gasolina	FWD	1998	141	192	10.19-	*	
125 i (B48 A20 D)		Gasolina	FWD	1998	170	231	01.17-	*	
120 i (B48 A20 B,B48 A20 C)		Gasolina	FWD	1998	192	141	01.17-	*	
<b>2 SERIES Active Tourer (F45) 03.16-</b>					<b>MPV (Compact car-C Segment)</b>				
218i (B38 A15 A,B38 A15 C)		Gasolina	FWD	1488	100	136	03.16-	*	

# LISTA DE APLICACIONES - BUYERS GUIDE

<b>X1 II (F49) 05.16-</b>					<b>SUV (Compact SUV-J Segment)</b>			
sDrive18 Li		Gasolina	FWD	1499	100	136	05.16-	*
sDrive20 Li (B38 A15 C)		Gasolina	FWD	1499	103	140	10.19-	*
sDrive20 Li		Gasolina	FWD	1998	141	192	05.16-	*
sDrive25 i (B48 A20 C)		Gasolina	FWD	1998	141	192	10.19-	*
sDrive25 Li (B48 A20 C)		Gasolina	FWD	1998	141	192	10.19-	*
xDrive20 Li		Gasolina	FWD	1998	141	192	05.16-	*
xDrive25 Le xDrive (B48 A20 C)		Gasolina	4WD	1998	141	192	10.19-	*
xDrive25 Li		Gasolina	FWD	1998	170	231	05.16-	*
xDrive25 Le (B38 A15 C)		Eléctrico	4WD	1499	100	136	09.16-	*
xDrive25 Le xDrive (B38 A15 C)		Eléctrico	4WD	1499	100	136	10.19-	*
xDrive25 Le (B38 A15 C, IA1XB2H)		Eléctrico	4WD	1499	170	231	09.16-	*
<b>X2 (F39) 10.19-</b>					<b>SUV (Compact SUV-J Segment)</b>			
sDrive20i (B38 A15 C)		Gasolina	FWD	1499	103	140	10.19-	*
xDrive25 i xDrive (B48 A20 C)		Gasolina	4WD	1998	141	192	10.19-	*
<b>MINI</b>								
<b>MINI (F55) 09.13-</b>					<b>[CAMBIADO]:Fastback (Supermini car-B Segment)</b>			
Cooper C (F65)		Gasolina	FWD	1499	115	156	03.24-	*
Cooper S (B48 A20 A)		Gasolina	FWD	1998	131	178	11.20-	*
Cooper S (B48 A20 F)		Gasolina	FWD	1998	131	178	11.20-	*
Cooper S (B48 A20 A)		Gasolina	FWD	1998	131	178	11.20-	*
Cooper S (B48 A20 F)		Gasolina	FWD	1998	131	178	11.20-	*
Cooper S		Gasolina	FWD	1998	150	204	03.24-	*
John Cooper Works (B46 A20 B)		Gasolina	FWD	1998	170	231	03.15-	*
John Cooper Works (B48 A20 B)		Gasolina	FWD	1998	170	231	03.15-	*
John Cooper Works		Gasolina	FWD	1998	170	231	02.25-	*
Cooper SE / Electric (IB1P25B)		Eléctrico	FWD		75	102	11.19-	*
Cooper SE / Electric (IB1P25B)		Eléctrico	FWD		135	184	11.19-	*
<b>MINI (F57) 11.14-</b>					<b>Cabrio (Supermini car-B Segment)</b>			
Cooper S (B48 A20 A)		Gasolina	FWD	1998	131	178	11.20-	*
Cooper S (B48 A20 F)		Gasolina	FWD	1998	131	178	11.20-	*
Cooper SE		Eléctrico	FWD		135	184	04.23-	*
<b>MINI CLUBMAN II (F54) 11.14-</b>					<b>[CAMBIADO]:Break (Supermini car-B Segment)</b>			
One (B38 A15 A)		Gasolina	FWD	1499	75	102	11.15-01.24	*
Cooper (B36 A15 A)		Gasolina	FWD	1499	100	136	07.15-02.24	*
Cooper (B38 A15 A)		Gasolina	FWD	1499	100	136	07.15-02.24	*
Cooper ALL4 (B36 A15 A)		Gasolina	4WD	1499	100	136	08.16-	*
Cooper S (B48 A20 A)		Gasolina	FWD	1998	120	163	11.14-	*
Cooper S (B48 A20 F)		Gasolina	FWD	1998	120	163	11.14-	*
Cooper S ALL4 (B48 A20 A)		Gasolina	4WD	1998	120	163	04.15-	*
Cooper S (B46 A20 A)		Gasolina	FWD	1998	131	178	11.20-	*
Cooper S (B48 A20 F)		Gasolina	FWD	1998	131	178	11.20-	*
Cooper S ALL4 (B46 A20 A)		Gasolina	4WD	1998	131	178	11.20-	*
Cooper S ALL4 (B48 A20 F)		Gasolina	4WD	1998	131	178	11.20-	*
Cooper S (B46 A20 A)		Gasolina	FWD	1998	141	192	11.14-	*
Cooper S (B48 A20 A)		Gasolina	FWD	1998	141	192	11.14-	*
Cooper S (B48 A20 F)		Gasolina	FWD	1998	141	192	11.14-	*
Cooper S ALL4 (B48 A20 A)		Gasolina	4WD	1998	141	192	03.16-01.24	*
Cooper S JCW (B46 A20 A)		Gasolina	FWD	1998	155	211	11.14-06.18	*

# LISTA DE APLICACIONES - BUYERS GUIDE

Cooper S JCW (B48 A20 A)	Gasolina	FWD	1998	155	211	11.14-06.18	*
Cooper S JCW (B48 A20 F)	Gasolina	FWD	1998	155	211	11.14-06.18	*
Cooper S JCW ALL4 (B48 A20 A)	Gasolina	4WD	1998	155	211	11.14-	*
John Cooper Works (B48 A20 B)	Gasolina	4WD	1998	170	231	11.16-06.19	*
One D (B37 C15 A)	Diesel	FWD	1496	85	116	11.15-01.24	*
Cooper D (B47 C20 A)	Diesel	FWD	1995	100	136	12.14-07.19	*
Cooper D (B47 C20 B)	Diesel	FWD	1995	100	136	12.14-07.19	*
Cooper D (B47 C20 A)	Diesel	FWD	1995	110	150	07.15-02.24	*
Cooper D (B47 C20 B)	Diesel	FWD	1995	110	150	07.15-02.24	*
Cooper SD (B47 C20 A)	Diesel	FWD	1995	120	163	02.15-07.19	*
Cooper SD (B47 C20 B)	Diesel	FWD	1995	120	163	02.15-07.19	*
Cooper SD ALL4 (B47 C20 A)	Diesel	4WD	1995	120	163	04.15-07.19	*
Cooper SD ALL4 (B47 C20 B)	Diesel	4WD	1995	120	163	04.15-07.19	*
Cooper SD (B47 C20 A)	Diesel	FWD	1995	140	190	02.15-01.24	*
Cooper SD (B47 C20 B)	Diesel	FWD	1995	140	190	02.15-01.24	*
Cooper SD ALL4 (B47 C20 A)	Diesel	4WD	1995	140	190	03.16-01.24	*
Cooper SD ALL4 (B47 C20 B)	Diesel	4WD	1995	140	190	03.16-01.24	*
<b>[CAMBIADO]:Break (Supermini car-B Segment)</b>							
<b>MINI COUNTRYMAN II (F60) 10.16-</b>							
One (B38 A15 A)	Gasolina	FWD	1499	75	102	07.17-	*
Cooper (B36 A15 A)	Gasolina	FWD	1499	100	136	10.16-	*
Cooper (B38 A15 A)	Gasolina	FWD	1499	100	136	10.16-	*
Cooper (B38 A15 F)	Gasolina	FWD	1499	100	136	10.16-	*
Cooper ALL4 (B38 A15 A)	Gasolina	4WD	1499	100	136	10.16-	*
Cooper ALL4 (B38 A15 F)	Gasolina	4WD	1499	100	136	10.16-	*
Cooper S (B46 A20 A)	Gasolina	FWD	1998	120	163	10.16-	*
Cooper S (B48 A20 A)	Gasolina	FWD	1998	120	163	10.16-	*
Cooper S ALL4 (B46 A20 A)	Gasolina	4WD	1998	120	163	10.16-	*
Cooper S ALL4 (B48 A20 A)	Gasolina	4WD	1998	120	163	10.16-	*
Cooper S (B46 A20 A)	Gasolina	FWD	1998	131	178	07.20-	*
Cooper S (B48 A20 A)	Gasolina	FWD	1998	131	178	07.20-	*
Cooper S (B48 A20 F)	Gasolina	FWD	1998	131	178	07.20-	*
Cooper S ALL4 (B46 A20 A)	Gasolina	4WD	1998	131	178	07.20-	*
Cooper S ALL4 (B48 A20 A)	Gasolina	4WD	1998	131	178	07.20-	*
Cooper S ALL4 (B48 A20 F)	Gasolina	4WD	1998	131	178	07.20-	*
Cooper S (B46 A20 A)	Gasolina	FWD	1998	141	192	10.16-	*
Cooper S (B48 A20 A)	Gasolina	FWD	1998	141	192	10.16-	*
Cooper S ALL4 (B46 A20 A)	Gasolina	4WD	1998	141	192	10.16-	*
Cooper S ALL4 (B48 A20 A)	Gasolina	4WD	1998	141	192	10.16-	*
John Cooper Works ALL4 (B48 A20 B)	Gasolina	4WD	1998	170	231	03.17-06.19	*
John Cooper Works ALL4 (B48 A20 E)	Gasolina	4WD	1998	200	272	11.19-	*
Cooper SE ALL4 (B38 A15 A)	Gasol./el éc.	4WD	1499	92	125	07.20-	*
Cooper SE ALL4 (IA1)	Gasol./el éc.	4WD	1499	92	125	07.20-	*
Cooper SE ALL4 (B38 A15 A)	Gasol./el éc.	4WD	1499	100	136	01.17-	*
Cooper SE ALL4 (IA1)	Gasol./el éc.	4WD	1499	100	136	01.17-	*
Cooper SE (B38 A15 A)	Gasol./el éc.	4WD	1499	162	220	07.20-	*
Cooper SE (IA1)	Gasol./el éc.	4WD	1499	162	220	07.20-	*
Cooper SE ALL4 (B38 A15 A)	Gasol./el éc.	4WD	1499	165	224	01.17-	*

# LISTA DE APLICACIONES - BUYERS GUIDE

Cooper SE ALL4 (IA1)		Gasol./el éc.	4WD	1499	165	224	01.17-	*	
One D (B37 C15 A)		Diesel	FWD	1496	85	116	07.17-	*	
Cooper D (B47 C20 A)		Diesel	FWD	1995	100	136	10.16-	*	
Cooper D (B47 C20 B)		Diesel	FWD	1995	100	136	10.16-	*	
Cooper D ALL4 (B47 C20 A)		Diesel	4WD	1995	100	136	10.16-	*	
Cooper D ALL4 (B47 C20 B)		Diesel	4WD	1995	100	136	10.16-	*	
Cooper D (B47 C20 A)		Diesel	FWD	1995	110	150	10.16-	*	
Cooper D (B47 C20 B)		Diesel	FWD	1995	110	150	10.16-	*	
Cooper D ALL4 (B47 C20 A)		Diesel	4WD	1995	110	150	10.16-	*	
Cooper D ALL4 (B47 C20 B)		Diesel	4WD	1995	110	150	10.16-	*	
Cooper SD (B47 C20 A)		Diesel	FWD	1995	120	163	10.16-	*	
Cooper SD (B47 C20 B)		Diesel	FWD	1995	120	163	10.16-	*	
Cooper SD ALL4 (B47 C20 A)		Diesel	4WD	1995	120	163	10.16-	*	
Cooper SD ALL4 (B47 C20 B)		Diesel	4WD	1995	120	163	10.16-	*	
Cooper SD (B47 C20 A)		Diesel	FWD	1995	140	190	10.16-	*	
Cooper SD (B47 C20 B)		Diesel	FWD	1995	140	190	10.16-	*	
Cooper SD ALL4 (B47 C20 A)		Diesel	4WD	1995	140	190	10.16-	*	
Cooper SD ALL4 (B47 C20 B)		Diesel	4WD	1995	140	190	10.16-	*	
<b>ZINORO</b>									
<b>60H 07.16-</b>									<b>SUV ()</b>
Hybrid (M13) (B38 A15 C, IA1XB2H)		Eléctrico	4WD	1499	100	136	07.16-	*	