

# LISTA DE APLICACIONES - BUYERS GUIDE

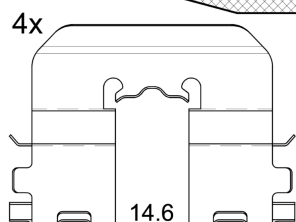
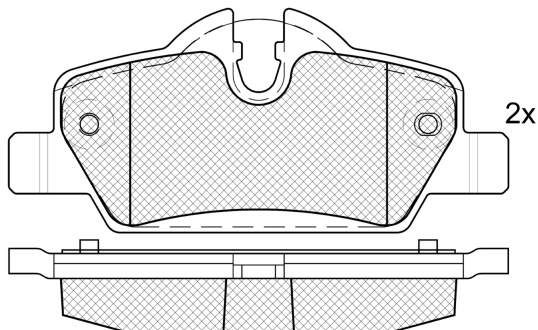
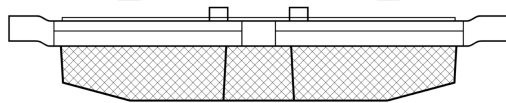
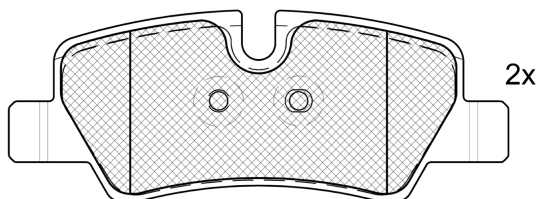
## RB2190



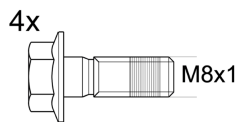
Qty: 300

Weight: 780

O.E.M.	MAKE
34 21 6 861 641	MINI
34 21 6 864 488	MINI
34 21 6 871 299	MINI
34 21 6 871 300	MINI
34 21 6 885 529	MINI



1-Ref. 690274 E



2-Ref. 690059

## RB2190

**E 9 90R-02A0111/4154**



Trw

99.9x38.1x16.6

99.9x44.8x16.6

WVA
25980
25981

FMSI
D1800-9032

Sin Filas



Trac.	CC	Kw	CV
-------	----	----	----



Front / Rear

### MINI

							[CAMBIADO]:Fastback (Supermini car-B Segment)	
<b>MINI (F55) 09.13-</b>								
One First (B38 A12 A)		Gasolina	FWD	1198	55	75	11.14-10.17	*
One First (B38 A12 A)		Gasolina	FWD	1198	55	75	07.14-10.17	*
One (B38 A12 A)		Gasolina	FWD	1198	75	102	05.14-10.17	*
One (B38 A12 A)		Gasolina	FWD	1198	75	102	04.14-10.17	*
One First (B38 A15 A)		Gasolina	FWD	1499	55	75	11.17-	*
One First (B38 A15 A)		Gasolina	FWD	1499	55	75	11.17-	*
One (B38 A15 A)		Gasolina	FWD	1499	75	102	11.17-	*
One (B38 A15 A)		Gasolina	FWD	1499	75	102	11.17-	*
Cooper (B36 A15 A)		Gasolina	FWD	1499	100	136	07.14-	*
Cooper (B38 A15 A)		Gasolina	FWD	1499	100	136	07.14-	*
Cooper (B36 A15 A)		Gasolina	FWD	1499	100	136	12.13-	*
Cooper (B38 A15 A)		Gasolina	FWD	1499	100	136	12.13-	*
Cooper S (B48 A20 A)		Gasolina	FWD	1998	120	163	09.13-	*
Cooper S (B48 A20 A)		Gasolina	FWD	1998	120	163	11.14-	*
Cooper S (B48 A20 A)		Gasolina	FWD	1998	131	178	11.20-	*
Cooper S (B48 A20 F)		Gasolina	FWD	1998	131	178	11.20-	*
Cooper S (B48 A20 A)		Gasolina	FWD	1998	131	178	11.20-	*
Cooper S (B48 A20 F)		Gasolina	FWD	1998	131	178	11.20-	*
Cooper S (B46 A20 A)		Gasolina	FWD	1998	141	192	07.14-	*
Cooper S (B48 A20 A)		Gasolina	FWD	1998	141	192	07.14-	*
Cooper S (B46 A20 A)		Gasolina	FWD	1998	141	192	12.13-	*
Cooper S (B48 A20 A)		Gasolina	FWD	1998	141	192	12.13-	*
Cooper S (B48 A20 F)		Gasolina	FWD	1998	141	192	12.13-	*

# LISTA DE APLICACIONES - BUYERS GUIDE

Cooper S JCW (B46 A20 A)		Gasolina	FWD	1998	155	211	07.14-	*	
Cooper S JCW (B48 A20 A)		Gasolina	FWD	1998	155	211	07.14-	*	
Cooper S JCW (B46 A20 A)		Gasolina	FWD	1998	155	211	12.13-	*	
Cooper S JCW (B48 A20 A)		Gasolina	FWD	1998	155	211	12.13-	*	
John Cooper Works (B46 A20 B)		Gasolina	FWD	1998	170	231	03.15-	*	
John Cooper Works (B48 A20 B)		Gasolina	FWD	1998	170	231	03.15-	*	
John Cooper Works GP (B48 A20 E)		Gasolina	FWD	1998	225	306	03.20-	*	
One D (B37 C15 A)		Diesel	FWD	1496	70	95	11.14-	*	
One D (B37 C15 A)		Diesel	FWD	1496	70	95	03.14-	*	
Cooper D (B37 C15 A)		Diesel	FWD	1496	85	116	07.14-	*	
Cooper D (B37 C15 A)		Diesel	FWD	1496	85	116	12.13-	*	
Cooper SD (B47 C20 A)		Diesel	FWD	1995	120	163	09.13-	*	
Cooper SD (B47 C20 B)		Diesel	FWD	1995	120	163	09.13-	*	
Cooper SD (B47 C20 A)		Diesel	FWD	1995	120	163	06.14-	*	
Cooper SD (B47 C20 B)		Diesel	FWD	1995	120	163	06.14-	*	
Cooper SD (B47 C20 A)		Diesel	FWD	1995	125	170	07.14-	*	
Cooper SD (B47 C20 A)		Diesel	FWD	1995	125	170	06.14-	*	
Cooper SD (B47 C20 B)		Diesel	FWD	1995	125	170	06.14-	*	
<b>MINI (F57) 11.14-</b>					<b>Cabrio (Supermini car-B Segment)</b>				
One (B38 A12 A)		Gasolina	FWD	1198	75	102	03.16-10.17	*	
One (B38 A15 A)		Gasolina	FWD	1499	75	102	11.17-	*	
Cooper (B36 A15 A)		Gasolina	FWD	1499	100	136	11.15-	*	
Cooper (B38 A15 A)		Gasolina	FWD	1499	100	136	11.15-	*	
Cooper S (B46 A20 A)		Gasolina	FWD	1998	120	163	11.14-	*	
Cooper S (B48 A20 A)		Gasolina	FWD	1998	120	163	11.14-	*	
Cooper S (B48 A20 A)		Gasolina	FWD	1998	131	178	11.20-	*	
Cooper S (B48 A20 F)		Gasolina	FWD	1998	131	178	11.20-	*	
Cooper S (B46 A20 A)		Gasolina	FWD	1998	141	192	11.15-	*	
Cooper S (B48 A20 A)		Gasolina	FWD	1998	141	192	11.15-	*	
Cooper S JCW (B46 A20 A)		Gasolina	FWD	1998	155	211	11.15-	*	
Cooper S JCW (B48 A20 A)		Gasolina	FWD	1998	155	211	11.15-	*	
John Cooper Works (B48 A20 B)		Gasolina	FWD	1998	170	231	03.16-	*	
Cooper D (B37 C15 A)		Diesel	FWD	1496	85	116	11.15-	*	
Cooper SD (B47 C20 A)		Diesel	FWD	1995	120	163	05.15-07.19	*	
Cooper SD (B47 C20 B)		Diesel	FWD	1995	120	163	05.15-07.19	*	
Cooper SD (B47 C20 A)		Diesel	FWD	1995	125	170	03.16-	*	
Cooper SD (B47 C20 B)		Diesel	FWD	1995	125	170	03.16-	*	
<b>MINI CLUBMAN II (F54) 11.14-</b>					<b>[CAMBIADO]:Break (Supermini car-B Segment)</b>				
Cooper (B36 A15 A)		Gasolina	FWD	1499	100	136	07.15-02.24	*	
Cooper (B38 A15 A)		Gasolina	FWD	1499	100	136	07.15-02.24	*	
Cooper S (B46 A20 A)		Gasolina	FWD	1998	141	192	11.14-	*	
Cooper S (B48 A20 A)		Gasolina	FWD	1998	141	192	11.14-	*	
Cooper S (B48 A20 F)		Gasolina	FWD	1998	141	192	11.14-	*	
Cooper S ALL4 (B48 A20 A)		Gasolina	4WD	1998	141	192	03.16-01.24	*	
John Cooper Works (B48 A20 B)		Gasolina	4WD	1998	170	231	11.16-06.19	*	
Cooper D (B47 C20 A)		Diesel	FWD	1995	110	150	07.15-02.24	*	
Cooper D (B47 C20 B)		Diesel	FWD	1995	110	150	07.15-02.24	*	
Cooper SD ALL4 (B47 C20 A)		Diesel	4WD	1995	140	190	03.16-01.24	*	
Cooper SD ALL4 (B47 C20 B)		Diesel	4WD	1995	140	190	03.16-01.24	*	

# LISTA DE APLICACIONES - BUYERS GUIDE

<b>MINI COUNTRYMAN II (F60) 10.16-</b>				<b>[CAMBIADO]:Break (Supermini car-B Segment)</b>			
John Cooper Works ALL4 (B48 A20 B)	Gasolina	4WD	1998	170	231	03.17-06.19	*