

LISTA DE APLICACIONES - BUYERS GUIDE

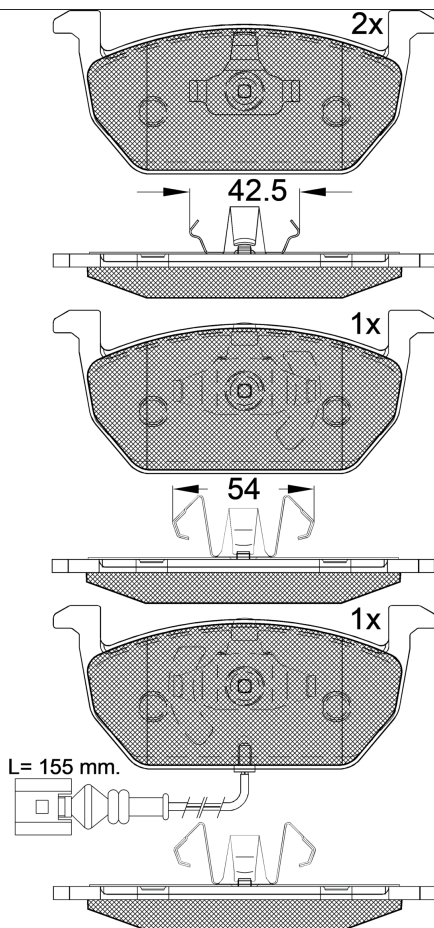
RB2189



Qty: 300

Weight: 1.720

O.E.M.	MAKE
5Q0 698 151 C	VW
JZW 698 151 AS	SKODA



RB2189

E 9 90R-02A0111/4135



Ate - Teves

146.1x62.4x17.4

WVA	FMSI
22035	D1968-9193
22036	
22037	

Sin Filas



Trac.	CC	Kw	CV
-------	----	----	----



Front / Rear

AUDI

					[CAMBIADO]:Fastback (Compact executive car-D Segment)				
A3 III (8V1, 8VK) 04.12-									
1.2 TFSI (CJZA)		Gasolina	FWD	1197	77	105	02.13-05.15	*	
1.2 TFSI (CYVB)		Gasolina	FWD	1197	81	110	05.14-08.16	*	
1.4 TFSI (CMBA)		Gasolina	FWD	1395	90	122	04.12-05.14	*	
1.4 TFSI (CXSA)		Gasolina	FWD	1395	90	122	04.12-05.14	*	
1.4 TFSI (CXSB)		Gasolina	FWD	1395	92	125	05.14-08.16	*	
1.4 TFSI (CZCA)		Gasolina	FWD	1395	92	125	05.14-08.16	*	
1.4 TFSI (CPTA)		Gasolina	FWD	1395	103	140	03.13-08.16	*	
1.4 TSI (CZEA)		Gasolina	FWD	1395	110	150	05.14-12.17	*	
1.8 TFSI (CJSA)		Gasolina	FWD	1798	132	180	04.12-08.16	*	
1.8 TFSI quattro (CJSB)		Gasolina	4WD	1798	132	180	08.12-08.16	*	
1.6 TDI (CLHA)		Diesel	FWD	1598	77	105	10.12-05.15	*	
1.6 TDI (CRKB)		Diesel	FWD	1598	81	110	09.13-12.17	*	
1.6 TDI (CXXB)		Diesel	FWD	1598	81	110	09.13-12.17	*	
1.6 TDI (DBKA)		Diesel	FWD	1598	81	110	09.13-12.17	*	
2.0 TDI (CRFA)		Diesel	FWD	1968	81	110	01.13-08.16	*	
2.0 TDI (CRBD)		Diesel	FWD	1968	100	136	05.13-08.16	*	
2.0 TDI (CRLC)		Diesel	FWD	1968	100	136	05.13-08.16	*	
2.0 TDI (CRFC)		Diesel	FWD	1968	105	143	09.12-10.20	*	
2.0 TDI (CRBC)		Diesel	FWD	1968	110	150	04.12-12.17	*	
2.0 TDI (CRLB)		Diesel	FWD	1968	110	150	04.12-12.17	*	
2.0 TDI (CRUA)		Diesel	FWD	1968	110	150	04.12-12.17	*	
2.0 TDI (DBGA)		Diesel	FWD	1968	110	150	04.12-12.17	*	
2.0 TDI (DCYA)		Diesel	FWD	1968	110	150	04.12-12.17	*	

LISTA DE APLICACIONES - BUYERS GUIDE

2.0 TDI (DEJA)		Diesel	FWD	1968	110	150	04.12-12.17	*	
2.0 TDI quattro (CRBC)		Diesel	4WD	1968	110	150	10.12-12.17	*	
2.0 TDI quattro (CRLB)		Diesel	4WD	1968	110	150	10.12-12.17	*	
2.0 TDI quattro (DCYA)		Diesel	4WD	1968	110	150	10.12-12.17	*	
2.0 TDI (CUNA)		Diesel	FWD	1968	135	184	05.13-12.17	*	
2.0 TDI quattro (CUNA)		Diesel	4WD	1968	135	184	12.12-12.17	*	
2.0 TDI quattro (DGCA)		Diesel	4WD	1968	135	184	12.12-12.17	*	
A3 III (8V7, 8VE) 10.13-							Cabrio (Compact executive car-D Segment)		
1.4 TFSI (CZCC)		Gasolina	FWD	1395	85	115	02.16-10.20	*	
1.4 TFSI (CXSB)		Gasolina	FWD	1395	92	125	02.14-07.16	*	
1.4 TFSI (CZCA)		Gasolina	FWD	1395	92	125	02.14-07.16	*	
1.4 TFSI (CPTA)		Gasolina	FWD	1395	103	140	10.13-05.14	*	
1.4 TSI (CZEA)		Gasolina	FWD	1395	110	150	05.14-10.20	*	
1.8 TFSI (CNSB)		Gasolina	FWD	1798	125	170	05.14-10.20	*	
1.8 TFSI (CJSA)		Gasolina	FWD	1798	132	180	10.13-07.16	*	
1.8 TFSI (CJSB)		Gasolina	FWD	1798	132	180	10.13-07.16	*	
1.8 TFSI quattro (CJSB)		Gasolina	4WD	1798	132	180	03.14-07.16	*	
2.0 TFSI quattro (CNTC)		Gasolina	4WD	1984	162	220	05.14-10.20	*	
1.6 TDI (CRKB)		Diesel	FWD	1598	81	110	02.14-10.20	*	
1.6 TDI (CXXB)		Diesel	FWD	1598	81	110	02.14-10.20	*	
2.0 TDI (CRLC)		Diesel	FWD	1968	100	136	10.13-07.16	*	
2.0 TDI (CRLB)		Diesel	FWD	1968	110	150	10.13-10.20	*	
2.0 TDI (DCYA)		Diesel	FWD	1968	110	150	10.13-10.20	*	
2.0 TDI quattro (CRLB)		Diesel	4WD	1968	110	150	03.14-10.20	*	
2.0 TDI quattro (DCYA)		Diesel	4WD	1968	110	150	03.14-10.20	*	
2.0 TDI (CUNA)		Diesel	FWD	1968	135	184	05.14-07.16	*	
2.0 TDI quattro (CUNA)		Diesel	4WD	1968	135	184	05.14-10.20	*	
2.0 TDI quattro (DGCA)		Diesel	4WD	1968	135	184	05.14-10.20	*	
A3 III (8VS, 8VM) 05.13-							Sedán (Compact executive car-D Segment)		
1.2 TFSI (CJZA)		Gasolina	FWD	1197	77	105	10.13-05.15	*	
1.2 TFSI (CYVB)		Gasolina	FWD	1197	81	110	05.14-08.16	*	
1.4 TFSI (CXSA)		Gasolina	FWD	1395	90	122	09.13-10.20	*	
1.4 TFSI (CXSB)		Gasolina	FWD	1395	92	125	09.13-08.16	*	
1.4 TFSI (CZCA)		Gasolina	FWD	1395	92	125	09.13-08.16	*	
1.4 TFSI (CPTA)		Gasolina	FWD	1395	103	140	05.13-08.16	*	
1.4 TSI (CZEA)		Gasolina	FWD	1395	110	150	05.14-10.20	*	
1.8 TFSI (CNSB)		Gasolina	FWD	1798	125	170	11.13-10.20	*	
1.8 TFSI (CJSA)		Gasolina	FWD	1798	132	180	05.13-08.16	*	
1.8 TFSI (CJSB)		Gasolina	FWD	1798	132	180	05.13-08.16	*	
1.8 TFSI quattro (CJSB)		Gasolina	4WD	1798	132	180	11.13-08.16	*	
1.6 TDI (CLHA)		Diesel	FWD	1598	77	105	09.13-05.15	*	
1.6 TDI (CRKB)		Diesel	FWD	1598	81	110	05.14-10.20	*	
1.6 TDI (CXXB)		Diesel	FWD	1598	81	110	05.14-10.20	*	
1.6 TDI (DBKA)		Diesel	FWD	1598	81	110	05.14-10.20	*	
1.6 TDI quattro (CXXB)		Diesel	4WD	1598	81	110	05.15-08.16	*	
2.0 TDI (CRFA)		Diesel	FWD	1968	81	110	05.13-10.20	*	
2.0 TDI (DEJB)		Diesel	FWD	1968	81	110	05.13-10.20	*	
2.0 TDI (CRBD)		Diesel	FWD	1968	100	136	09.13-08.16	*	
2.0 TDI (CRLC)		Diesel	FWD	1968	100	136	09.13-08.16	*	
2.0 TDI (CRFC)		Diesel	FWD	1968	105	143	10.13-10.20	*	

LISTA DE APLICACIONES - BUYERS GUIDE

2.0 TDI (CRBC)		Diesel	FWD	1968	110	150	05.13-10.20	*
2.0 TDI (CRLB)		Diesel	FWD	1968	110	150	05.13-10.20	*
2.0 TDI (CRUA)		Diesel	FWD	1968	110	150	05.13-10.20	*
2.0 TDI (DBGA)		Diesel	FWD	1968	110	150	05.13-10.20	*
2.0 TDI (DCYA)		Diesel	FWD	1968	110	150	05.13-10.20	*
2.0 TDI (DEJA)		Diesel	FWD	1968	110	150	05.13-10.20	*
2.0 TDI (DFGA)		Diesel	FWD	1968	110	150	05.13-10.20	*
2.0 TDI quattro (CRBC)		Diesel	4WD	1968	110	150	10.13-10.20	*
2.0 TDI quattro (CRLB)		Diesel	4WD	1968	110	150	10.13-10.20	*
2.0 TDI quattro (DCYA)		Diesel	4WD	1968	110	150	10.13-10.20	*
2.0 TDI (CUNA)		Diesel	FWD	1968	135	184	05.14-07.18	*
2.0 TDI quattro (CUNA)		Diesel	4WD	1968	135	184	05.14-07.18	*
2.0 TDI quattro (DGCA)		Diesel	4WD	1968	135	184	05.14-07.18	*
A3 III Sportback (8VA, 8VF) 09.12-							[CAMBIADO]:Fastback (Compact executive car-D Segment)	
1.2 TFSI (CJZA)		Gasolina	FWD	1197	77	105	05.13-05.15	*
1.2 TFSI (CYVB)		Gasolina	FWD	1197	81	110	05.14-08.16	*
1.4 TFSI (CMBA)		Gasolina	FWD	1395	90	122	09.12-10.20	*
1.4 TFSI (CXSA)		Gasolina	FWD	1395	90	122	09.12-10.20	*
1.4 TFSI (CXSB)		Gasolina	FWD	1395	92	125	05.14-08.16	*
1.4 TFSI (CZCA)		Gasolina	FWD	1395	92	125	05.14-08.16	*
1.4 TFSI (CPTA)		Gasolina	FWD	1395	103	140	03.13-11.14	*
1.4 TSI (CZEA)		Gasolina	FWD	1395	110	150	05.14-10.20	*
1.8 TFSI (CJSA)		Gasolina	FWD	1798	132	180	09.12-08.16	*
1.8 TFSI (CJSB)		Gasolina	FWD	1798	132	180	09.12-08.16	*
1.8 TFSI quattro (CJSB)		Gasolina	4WD	1798	132	180	05.13-08.16	*
RS3 quattro (CZGB)		Gasolina	4WD	2480	270	367	03.15-08.16	*
1.4 TFSI g-tron (CPWA)		Gasol./Gas (CNG)	FWD	1395	81	110	11.13-10.20	*
1.4 TFSI e-tron (CUKB)		Gasol./eléc.	FWD	1395	110	150	05.14-10.20	*
1.4 TFSI e-tron (CXUA)		Gasol./eléc.	FWD	1395	110	150	05.14-10.20	*
1.6 TDI (CLHA)		Diesel	FWD	1598	77	105	10.12-12.16	*
1.6 TDI (CRKB)		Diesel	FWD	1598	81	110	09.13-10.20	*
1.6 TDI (CXXB)		Diesel	FWD	1598	81	110	09.13-10.20	*
1.6 TDI (DBKA)		Diesel	FWD	1598	81	110	09.13-10.20	*
1.6 TDI quattro (CXXB)		Diesel	4WD	1598	81	110	05.15-08.16	*
2.0 TDI (CRFA)		Diesel	FWD	1968	81	110	05.13-10.20	*
2.0 TDI (DEJB)		Diesel	FWD	1968	81	110	05.13-10.20	*
2.0 TDI (CRBD)		Diesel	FWD	1968	100	136	05.13-08.16	*
2.0 TDI (CRLC)		Diesel	FWD	1968	100	136	05.13-08.16	*
2.0 TDI (CRFC)		Diesel	FWD	1968	105	143	03.13-10.20	*
2.0 TDI (CRBC)		Diesel	FWD	1968	110	150	09.12-10.20	*
2.0 TDI (CRLB)		Diesel	FWD	1968	110	150	09.12-10.20	*
2.0 TDI (CRUA)		Diesel	FWD	1968	110	150	09.12-10.20	*
2.0 TDI (DBGA)		Diesel	FWD	1968	110	150	09.12-10.20	*
2.0 TDI (DCYA)		Diesel	FWD	1968	110	150	09.12-10.20	*
2.0 TDI (DEJA)		Diesel	FWD	1968	110	150	09.12-10.20	*
2.0 TDI (DFGA)		Diesel	FWD	1968	110	150	09.12-10.20	*
2.0 TDI quattro (CRBC)		Diesel	4WD	1968	110	150	02.13-10.20	*
2.0 TDI quattro (CRLB)		Diesel	4WD	1968	110	150	02.13-10.20	*
2.0 TDI quattro (DCYA)		Diesel	4WD	1968	110	150	02.13-10.20	*

LISTA DE APLICACIONES - BUYERS GUIDE

2.0 TDI (CUNA)		Diesel	FWD	1968	135	184	05.13-07.18	*
2.0 TDI quattro (CUNA)		Diesel	4WD	1968	135	184	05.13-07.18	*
2.0 TDI quattro (DGCA)		Diesel	4WD	1968	135	184	05.13-07.18	*
CUPRA								
Leon 08.19-					[CAMBIADO]:Fastback (Compact car-C Segment)			
2.0 TSI		Gasolina	FWD	1984	213	290	08.19-	*
Leon ST 08.19-					[CAMBIADO]:Break (Compact car-C Segment)			
2.0 TSI		Gasolina	FWD	1984	213	290	08.19-	*
2.0 TSI 4Drive		Gasolina	4WD	1984	221	300	08.19-	*
SEAT								
LEON III (5F1) 09.12-					[CAMBIADO]:Fastback (Compact car-C Segment)			
1.0 TSI (DKLB)		Gasolina	FWD	999	63	86	09.18-08.20	*
1.0 TSI (CHZD)		Gasolina	FWD	999	85	115	05.15-08.20	*
1.0 TSI (DKRF)		Gasolina	FWD	999	85	115	05.15-08.20	*
1.2 TSI (CJZB)		Gasolina	FWD	1197	63	86	12.12-08.18	*
1.2 TSI (CYVA)		Gasolina	FWD	1197	63	86	12.12-08.18	*
1.2 TSI (CJZA)		Gasolina	FWD	1197	77	105	01.13-08.20	*
1.2 TSI (CYVB)		Gasolina	FWD	1197	81	110	04.14-08.20	*
1.4 TSI (CMBA)		Gasolina	FWD	1395	90	122	11.12-10.16	*
1.4 TSI (CXSA)		Gasolina	FWD	1395	90	122	11.12-10.16	*
1.4 TSI (CZCA)		Gasolina	FWD	1395	92	125	05.14-08.20	*
1.4 TSI (CHPA)		Gasolina	FWD	1395	103	140	09.12-08.20	*
1.4 TSI (CPTA)		Gasolina	FWD	1395	103	140	09.12-08.20	*
1.4 TSI (CZDA)		Gasolina	FWD	1395	110	150	05.14-08.20	*
1.4 TSI (CZEA)		Gasolina	FWD	1395	110	150	05.14-08.20	*
1.5 TSI (DACA)		Gasolina	FWD	1495	96	130	09.18-08.20	*
1.5 TSI (DPBA)		Gasolina	FWD	1495	96	130	09.18-08.20	*
1.5 TSI (DADA)		Gasolina	FWD	1498	110	150	09.18-08.20	*
1.5 TSI (DPCA)		Gasolina	FWD	1498	110	150	09.18-08.20	*
1.8 TSI (CJSA)		Gasolina	FWD	1798	132	180	02.13-08.18	*
2.0 Cupra (CJXE)		Gasolina	FWD	1984	195	265	10.13-08.20	*
2.0 Cupra (CJXA)		Gasolina	FWD	1984	206	280	10.13-08.20	*
2.0 Cupra (CJXH)		Gasolina	FWD	1984	213	290	10.15-08.20	*
2.0 Cupra (DNUC)		Gasolina	FWD	1984	213	290	10.15-08.20	*
1.4 TGI (CPWA)		Gasol./Gas (CNG)	FWD	1395	81	110	02.13-08.18	*
1.5 TGI (DHFA)		Gasol./Gas (CNG)	FWD	1498	96	131	10.18-08.20	*
1.6 TDI (CLHB)		Diesel	FWD	1598	66	90	11.12-08.18	*
1.6 TDI (CXXA)		Diesel	FWD	1598	66	90	11.12-08.18	*
1.6 TDI (DDYB)		Diesel	FWD	1598	66	90	11.12-08.18	*
1.6 TDI (CLHA)		Diesel	FWD	1598	77	105	09.12-08.20	*
1.6 TDI (CRKB)		Diesel	FWD	1598	81	110	09.13-08.20	*
1.6 TDI (CXXB)		Diesel	FWD	1598	81	110	09.13-08.20	*
1.6 TDI (DBKA)		Diesel	FWD	1598	81	110	09.13-08.20	*
1.6 TDI (DDYA)		Diesel	FWD	1598	85	115	11.16-08.20	*
1.6 TDI (DGTE)		Diesel	FWD	1598	85	115	11.16-08.20	*
2.0 TDI (CRLD)		Diesel	FWD	1968	81	110	05.13-08.20	*
2.0 TDI (CRVA)		Diesel	FWD	1968	81	110	05.13-08.20	*

LISTA DE APLICACIONES - BUYERS GUIDE

2.0 TDI (CRVC)		Diesel	FWD	1968	105	143	05.13-08.20	*	
2.0 TDI (CKFC)		Diesel	FWD	1968	110	150	10.12-08.20	*	
2.0 TDI (CRMB)		Diesel	FWD	1968	110	150	10.12-08.20	*	
2.0 TDI (DFFA)		Diesel	FWD	1968	110	150	10.12-08.20	*	
2.0 TDI (CUNA)		Diesel	FWD	1968	135	184	09.12-08.20	*	
2.0 TDI (CUPA)		Diesel	FWD	1968	135	184	09.12-08.20	*	
2.0 TDI (DJGA)		Diesel	FWD	1968	135	184	09.12-08.20	*	
LEON III (5F1) 09.12-							Furgón/hatchback (Compact car-C Segment)		
1.0 TSI (CHZD)		Gasolina	FWD	999	85	115	05.15-08.20	*	
1.2 TSI (CJZB)		Gasolina	FWD	1197	63	86	01.13-08.18	*	
1.2 TSI (CYVA)		Gasolina	FWD	1197	63	86	01.13-08.18	*	
1.2 TSI (CYVB)		Gasolina	FWD	1197	81	110	04.14-08.18	*	
1.4 TSI (CMBA)		Gasolina	FWD	1395	90	122	09.12-10.16	*	
1.4 TSI (CXSA)		Gasolina	FWD	1395	90	122	09.12-10.16	*	
1.4 TSI (CHPA)		Gasolina	FWD	1395	103	140	09.12-10.16	*	
1.4 TSI (CPTA)		Gasolina	FWD	1395	103	140	09.12-10.16	*	
1.4 TSI (CZEA)		Gasolina	FWD	1395	110	150	05.14-08.20	*	
1.6 TDI (CLHB)		Diesel	FWD	1598	66	90	11.12-10.16	*	
1.6 TDI (CLHA)		Diesel	FWD	1598	77	105	09.12-10.16	*	
1.6 TDI (CRKB)		Diesel	FWD	1598	81	110	09.13-10.16	*	
1.6 TDI (CXXB)		Diesel	FWD	1598	81	110	09.13-10.16	*	
1.6 TDI (DBKA)		Diesel	FWD	1598	81	110	09.13-10.16	*	
1.6 TDI (DDYA)		Diesel	FWD	1598	85	115	11.16-08.20	*	
2.0 TDI (CKFC)		Diesel	FWD	1968	110	150	10.12-08.18	*	
2.0 TDI (CRMB)		Diesel	FWD	1968	110	150	10.12-08.18	*	
LEON III SC (5F5) 01.13-							Coupé (Compact car-C Segment)		
1.0 TSI (CHZD)		Gasolina	FWD	999	85	115	05.15-08.18	*	
1.2 TSI (CJZB)		Gasolina	FWD	1197	63	86	01.13-08.18	*	
1.2 TSI (CYVA)		Gasolina	FWD	1197	63	86	01.13-08.18	*	
1.2 TSI (CJZA)		Gasolina	FWD	1197	77	105	02.13-04.14	*	
1.2 TSI (CYVB)		Gasolina	FWD	1197	81	110	05.14-08.18	*	
1.4 TSI (CMBA)		Gasolina	FWD	1395	90	122	02.13-06.15	*	
1.4 TSI (CXSA)		Gasolina	FWD	1395	90	122	02.13-06.15	*	
1.4 TSI (CZCA)		Gasolina	FWD	1395	92	125	05.14-08.18	*	
1.4 TSI (CHPA)		Gasolina	FWD	1395	103	140	02.13-11.16	*	
1.4 TSI (CPTA)		Gasolina	FWD	1395	103	140	02.13-11.16	*	
1.4 TSI (CZEA)		Gasolina	FWD	1395	110	150	05.14-08.18	*	
1.8 TSI (CJSA)		Gasolina	FWD	1798	132	180	02.13-08.18	*	
2.0 Cupra (CJXE)		Gasolina	FWD	1984	195	265	10.13-11.16	*	
2.0 Cupra (CJXA)		Gasolina	FWD	1984	206	280	10.13-11.16	*	
2.0 Cupra (CJXH)		Gasolina	FWD	1984	213	290	10.15-11.16	*	
1.6 TDI (CLHB)		Diesel	FWD	1598	66	90	02.13-08.18	*	
1.6 TDI (CXXA)		Diesel	FWD	1598	66	90	02.13-08.18	*	
1.6 TDI (DDYB)		Diesel	FWD	1598	66	90	02.13-08.18	*	
1.6 TDI (CLHA)		Diesel	FWD	1598	77	105	02.13-08.18	*	
1.6 TDI (CRKB)		Diesel	FWD	1598	81	110	09.13-11.16	*	
1.6 TDI (CXXB)		Diesel	FWD	1598	81	110	09.13-11.16	*	
1.6 TDI (DDYA)		Diesel	FWD	1598	85	115	11.16-08.18	*	
2.0 TDI		Diesel	FWD	1968	81	110	02.13-	*	
2.0 TDI (CRVA)		Diesel	FWD	1968	81	110	02.13-08.18	*	

LISTA DE APLICACIONES - BUYERS GUIDE

2.0 TDI (CRVC)		Diesel	FWD	1968	105	143	05.13-08.18	*
2.0 TDI (CKFC)		Diesel	FWD	1968	110	150	02.13-08.18	*
2.0 TDI (CRMB)		Diesel	FWD	1968	110	150	02.13-08.18	*
2.0 TDI (CUNA)		Diesel	FWD	1968	135	184	03.13-08.18	*
2.0 TDI (CUPA)		Diesel	FWD	1968	135	184	03.13-08.18	*
LEON III ST (5F8) 09.12-					[CAMBIADO]:Break (Compact car-C Segment)			
1.0 TSI (DKLB)		Gasolina	FWD	999	63	86	09.18-08.20	*
1.0 TSI (CHZD)		Gasolina	FWD	999	85	115	05.15-08.20	*
1.0 TSI (DKRF)		Gasolina	FWD	999	85	115	05.15-08.20	*
1.2 TSI (CJZB)		Gasolina	FWD	1197	63	86	11.13-08.18	*
1.2 TSI (CYVA)		Gasolina	FWD	1197	63	86	11.13-08.18	*
1.2 TSI (CJZA)		Gasolina	FWD	1197	77	105	08.13-08.20	*
1.2 TSI (CYVB)		Gasolina	FWD	1197	81	110	05.14-08.20	*
1.4 TSI (CMBA)		Gasolina	FWD	1395	90	122	09.12-06.15	*
1.4 TSI (CXSA)		Gasolina	FWD	1395	90	122	09.12-06.15	*
1.4 TSI (CZCA)		Gasolina	FWD	1395	92	125	05.14-08.18	*
1.4 TSI (CHPA)		Gasolina	FWD	1395	103	140	10.13-08.20	*
1.4 TSI (CPTA)		Gasolina	FWD	1395	103	140	10.13-08.20	*
1.4 TSI (CZEA)		Gasolina	FWD	1395	110	150	05.14-08.20	*
1.5 TSI (DACA)		Gasolina	FWD	1495	96	130	09.18-08.20	*
1.5 TSI (DPBA)		Gasolina	FWD	1495	96	130	09.18-08.20	*
1.5 TSI (DADA)		Gasolina	FWD	1498	110	150	09.18-08.20	*
1.5 TSI (DPCA)		Gasolina	FWD	1498	110	150	09.18-08.20	*
1.8 TSI (CJSA)		Gasolina	FWD	1798	132	180	10.13-08.18	*
1.8 TSI 4Drive (CJSA)		Gasolina	4WD	1798	132	180	11.14-08.18	*
1.8 TSI 4Drive (CJSB)		Gasolina	4WD	1798	132	180	11.14-08.18	*
2.0 Cupra (CJXE)		Gasolina	FWD	1984	195	265	10.13-08.20	*
2.0 Cupra (CJXA)		Gasolina	FWD	1984	206	280	10.13-08.20	*
2.0 Cupra (CJXH)		Gasolina	FWD	1984	213	290	10.15-08.20	*
2.0 Cupra (DNUC)		Gasolina	FWD	1984	213	290	10.15-08.20	*
1.4 TGI (CPWA)		Gasol./Gas (CNG)	FWD	1395	81	110	10.13-08.18	*
1.5 TGI (DHFA)		Gasol./Gas (CNG)	FWD	1498	96	131	10.18-08.20	*
1.6 TDI (CLHB)		Diesel	FWD	1598	66	90	11.13-08.18	*
1.6 TDI (CXXA)		Diesel	FWD	1598	66	90	11.13-08.18	*
1.6 TDI (DDYB)		Diesel	FWD	1598	66	90	11.13-08.18	*
1.6 TDI (CLHA)		Diesel	FWD	1598	77	105	10.13-08.20	*
1.6 TDI 4Drive (CLHA)		Diesel	4WD	1598	77	105	04.14-08.20	*
1.6 TDI (CRKB)		Diesel	FWD	1598	81	110	09.13-08.20	*
1.6 TDI (CXXB)		Diesel	FWD	1598	81	110	09.13-08.20	*
1.6 TDI (DBKA)		Diesel	FWD	1598	81	110	09.13-08.20	*
1.6 TDI 4Drive (CXXB)		Diesel	4WD	1598	81	110	11.14-08.20	*
1.6 TDI (DDYA)		Diesel	FWD	1598	85	115	11.16-08.20	*
1.6 TDI (DGTE)		Diesel	FWD	1598	85	115	11.16-08.20	*
1.6 TDI 4Drive (DGTE)		Diesel	4WD	1598	85	115	07.18-08.20	*
2.0 TDI (CRVA)		Diesel	FWD	1968	81	110	02.13-12.16	*
2.0 TDI (CRVC)		Diesel	FWD	1968	105	143	10.13-08.18	*
2.0 TDI (CKFC)		Diesel	FWD	1968	110	150	10.13-08.20	*
2.0 TDI (CRBC)		Diesel	FWD	1968	110	150	10.13-08.20	*
2.0 TDI (CRLB)		Diesel	FWD	1968	110	150	10.13-08.20	*

LISTA DE APLICACIONES - BUYERS GUIDE

2.0 TDI (CRMB)		Diesel	FWD	1968	110	150	10.13-08.20	*
2.0 TDI (DFFA)		Diesel	FWD	1968	110	150	10.13-08.20	*
2.0 TDI (DFGA)		Diesel	FWD	1968	110	150	10.13-08.20	*
2.0 TDI 4Drive (CRBC)		Diesel	4WD	1968	110	150	04.14-08.20	*
2.0 TDI 4Drive (CRLB)		Diesel	4WD	1968	110	150	04.14-08.20	*
2.0 TDI 4Drive (CRMB)		Diesel	4WD	1968	110	150	04.14-08.20	*
2.0 TDI 4Drive (DCYA)		Diesel	4WD	1968	110	150	04.14-08.20	*
2.0 TDI 4Drive (DFGA)		Diesel	4WD	1968	110	150	04.14-08.20	*
2.0 TDI (CUNA)		Diesel	FWD	1968	135	184	08.13-08.20	*
2.0 TDI (CUPA)		Diesel	FWD	1968	135	184	08.13-08.20	*
2.0 TDI (DJGA)		Diesel	FWD	1968	135	184	08.13-08.20	*
2.0 TDI 4Drive (CUNA)		Diesel	4WD	1968	135	184	11.14-08.18	*
2.0 TDI 4Drive (DJGA)		Diesel	4WD	1968	135	184	11.14-08.18	*
LEON III ST (5F8) 01.13-							[CAMBIADO]:Furgón/Break (Compact car-C Segment)	
1.0 TSI (CHZD)		Gasolina	FWD	999	85	115	05.15-08.20	*
1.2 TSI (CJZB)		Gasolina	FWD	1197	63	86	01.13-08.18	*
1.2 TSI (CYVA)		Gasolina	FWD	1197	63	86	01.13-08.18	*
1.2 TSI (CYVB)		Gasolina	FWD	1197	81	110	05.14-08.18	*
1.4 TSI (CZDA)		Gasolina	FWD	1395	110	150	05.14-08.20	*
1.4 TSI (CZEA)		Gasolina	FWD	1395	110	150	05.14-08.20	*
1.6 TDI (CRKB)		Diesel	FWD	1598	81	110	09.13-08.20	*
1.6 TDI (CXXB)		Diesel	FWD	1598	81	110	09.13-08.20	*
1.6 TDI (DBKA)		Diesel	FWD	1598	81	110	09.13-08.20	*
1.6 TDI (DDYA)		Diesel	FWD	1598	85	115	11.16-08.20	*
2.0 TDI (CKFC)		Diesel	FWD	1968	110	150	04.13-08.18	*
2.0 TDI (CRBC)		Diesel	FWD	1968	110	150	04.13-08.18	*
2.0 TDI (CRLB)		Diesel	FWD	1968	110	150	04.13-08.18	*
2.0 TDI (CRMB)		Diesel	FWD	1968	110	150	04.13-08.18	*
2.0 TDI 4Drive (CRBC)		Diesel	4WD	1968	110	150	09.14-08.18	*
2.0 TDI 4Drive (CRLB)		Diesel	4WD	1968	110	150	09.14-08.18	*
LEON IV (KL1, KLG) 11.19-							[CAMBIADO]:Fastback (Compact car-C Segment)	
1.0 TSI (DLAB)		Gasolina	FWD	999	66	90	03.20-	*
1.0 TSI (DLAA)		Gasolina	FWD	999	81	110	03.20-	*
1.5 TSI (DPBA)		Gasolina	FWD	1495	96	131	11.19-	*
1.5 TSI (DPCA)		Gasolina	FWD	1498	110	150	11.19-	*
1.5 TGI CNG (DHFA)		Gasol./Gas (CNG)	FWD	1498	96	131	08.20-	*
2.0 TDI (DSUD)		Diesel	FWD	1968	85	116	11.19-	*
2.0 TDI (DSTB)		Diesel	FWD	1968	110	150	11.19-	*
LEON IV Sportstourer (KL8, KLD) 03.20-							[CAMBIADO]:Break (Compact car-C Segment)	
1.0 TSI (DLAB)		Gasolina	FWD	999	66	90	03.20-	*
1.0 TSI (DLAA)		Gasolina	FWD	999	81	110	03.20-	*
1.5 TSI (DPBA)		Gasolina	FWD	1495	96	131	03.20-	*
1.5 TGI		Gasol./Gas (CNG)	FWD	1498	96	131	05.21-	*
2.0 TDI		Diesel	FWD	1968	85	116	11.20-	*
SKODA								
OCTAVIA IV (NX3, NN3, PV3) 01.20-							[CAMBIADO]:Fastback (Compact car-C Segment)	
1.5 TSI (DPCA)		Gasolina	FWD	1498	110	150	01.20-	*

LISTA DE APLICACIONES - BUYERS GUIDE

2.0 TDI (DSUD)		Diesel	FWD	1968	85	116	03.20-	*
2.0 TDI (DSTB)		Diesel	FWD	1968	110	150	01.20-	*
OCTAVIA IV Combi (NX5, PV5) 11.19-								[CAMBIADO]:Break (Compact car-C Segment)
1.5 TSI (DPCA)		Gasolina	FWD	1498	110	150	11.19-	*
2.0 TDI (DSUD)		Diesel	FWD	1968	85	116	11.19-	*
2.0 TDI (DSTB)		Diesel	FWD	1968	110	150	11.19-	*
OCTAVIA III (5E3, NL3, NR3) 11.12-								[CAMBIADO]:Fastback (Compact car-C Segment)
1.0 TSI (CHZD)		Gasolina	FWD	999	85	115	05.16-10.20	*
1.0 TSI (DKRA)		Gasolina	FWD	999	85	115	05.16-10.20	*
1.0 TSI (DKRF)		Gasolina	FWD	999	85	115	05.16-10.20	*
1.2 TSI (CJZB)		Gasolina	FWD	1197	63	86	11.12-02.17	*
1.2 TSI (CYVA)		Gasolina	FWD	1197	63	86	11.12-02.17	*
1.2 TSI (CJZA)		Gasolina	FWD	1197	77	105	11.12-02.17	*
1.2 TSI (CYVB)		Gasolina	FWD	1197	81	110	05.15-02.17	*
1.4 TSI (CHPA)		Gasolina	FWD	1395	103	140	11.12-02.17	*
1.4 TSI (CHPB)		Gasolina	FWD	1395	110	150	08.14-10.20	*
1.4 TSI (CZDA)		Gasolina	FWD	1395	110	150	08.14-10.20	*
1.5 TSI (DADA)		Gasolina	FWD	1498	110	150	02.17-10.20	*
1.5 TSI (DPCA)		Gasolina	FWD	1498	110	150	02.17-10.20	*
1.6 (CWVA)		Gasolina	FWD	1598	81	110	01.14-10.20	*
1.8 TSI (CJSA)		Gasolina	FWD	1798	132	180	11.12-10.20	*
1.8 TSI 4x4 (CJSB)		Gasolina	4WD	1798	132	180	05.14-10.20	*
2.0 TSI (DKZA)		Gasolina	FWD	1984	140	190	02.17-10.20	*
2.0 TSI 4x4 (DKZA)		Gasolina	4WD	1984	140	190	02.19-10.20	*
2.0 TSI RS (CHHB)		Gasolina	FWD	1984	162	220	05.13-02.17	*
2.0 TSI RS (CHHA)		Gasolina	FWD	1984	169	230	05.15-10.20	*
1.4 TSI G-TEC (CPWA)		Gasol./Gas (CNG)	FWD	1395	81	110	11.13-02.17	*
1.6 TDI (CLHB)		Diesel	FWD	1598	66	90	11.12-10.20	*
1.6 TDI (CRKA)		Diesel	FWD	1598	66	90	11.12-10.20	*
1.6 TDI (CXXA)		Diesel	FWD	1598	66	90	11.12-10.20	*
1.6 TDI (DDYB)		Diesel	FWD	1598	66	90	11.12-10.20	*
1.6 TDI (CLHA)		Diesel	FWD	1598	77	105	11.12-05.15	*
1.6 TDI 4x4 (CLHA)		Diesel	4WD	1598	77	105	05.13-05.15	*
1.6 TDI (CRKB)		Diesel	FWD	1598	81	110	05.13-02.17	*
1.6 TDI (CXXB)		Diesel	FWD	1598	81	110	05.13-02.17	*
1.6 TDI (DBKA)		Diesel	FWD	1598	81	110	05.13-02.17	*
1.6 TDI 4x4 (CRKB)		Diesel	4WD	1598	81	110	05.15-02.17	*
1.6 TDI 4x4 (CXXB)		Diesel	4WD	1598	81	110	05.15-02.17	*
1.6 TDI (DDYA)		Diesel	FWD	1598	85	115	02.17-10.20	*
1.6 TDI (DGTE)		Diesel	FWD	1598	85	115	02.17-10.20	*
1.6 TDI 4x4 (DGTE)		Diesel	4WD	1598	85	115	02.17-10.20	*
2.0 TDI (CKFB)		Diesel	FWD	1968	105	143	11.12-02.17	*
2.0 TDI (CRVC)		Diesel	FWD	1968	105	143	11.12-02.17	*
2.0 TDI (CKFC)		Diesel	FWD	1968	110	150	11.12-10.20	*
2.0 TDI (CRMB)		Diesel	FWD	1968	110	150	11.12-10.20	*
2.0 TDI (CYKA)		Diesel	FWD	1968	110	150	11.12-10.20	*
2.0 TDI (DCYA)		Diesel	FWD	1968	110	150	11.12-10.20	*
2.0 TDI (DFFA)		Diesel	FWD	1968	110	150	11.12-10.20	*
2.0 TDI 4x4 (CKFC)		Diesel	4WD	1968	110	150	05.13-10.20	*

LISTA DE APLICACIONES - BUYERS GUIDE

2.0 TDI 4x4 (CRMB)		Diesel	4WD	1968	110	150	05.13-10.20	*	
2.0 TDI 4x4 (DCYA)		Diesel	4WD	1968	110	150	05.13-10.20	*	
2.0 TDI 4x4 (DFFA)		Diesel	4WD	1968	110	150	05.13-10.20	*	
2.0 TDI / TDI RS 4x4 (CUNA)		Diesel	4WD	1968	135	184	05.13-10.20	*	
2.0 TDI / TDI RS 4x4 (CUPA)		Diesel	4WD	1968	135	184	05.13-10.20	*	
2.0 TDI / TDI RS 4x4 (DJGA)		Diesel	4WD	1968	135	184	05.13-10.20	*	
2.0 TDI RS (CUNA)		Diesel	FWD	1968	135	184	05.13-10.20	*	
2.0 TDI RS (CUPA)		Diesel	FWD	1968	135	184	05.13-10.20	*	
2.0 TDI RS (DJGA)		Diesel	FWD	1968	135	184	05.13-10.20	*	
OCTAVIA III Combi (5E5, 5E6) 11.12-					[CAMBIADO]:Break (Compact car-C Segment)				
1.0 TSI (CHZD)		Gasolina	FWD	999	85	115	05.16-10.20	*	
1.0 TSI (DKRA)		Gasolina	FWD	999	85	115	05.16-10.20	*	
1.0 TSI (DKRF)		Gasolina	FWD	999	85	115	05.16-10.20	*	
1.2 TSI (CJZB)		Gasolina	FWD	1197	63	86	11.12-02.17	*	
1.2 TSI (CYVA)		Gasolina	FWD	1197	63	86	11.12-02.17	*	
1.2 TSI (CJZA)		Gasolina	FWD	1197	77	105	11.12-02.17	*	
1.2 TSI (CYVB)		Gasolina	FWD	1197	81	110	05.15-02.17	*	
1.4 TSI (CHPA)		Gasolina	FWD	1395	103	140	11.12-02.17	*	
1.4 TSI (CHPB)		Gasolina	FWD	1395	110	150	08.14-10.20	*	
1.4 TSI (CZDA)		Gasolina	FWD	1395	110	150	08.14-10.20	*	
1.5 TSI (DADA)		Gasolina	FWD	1498	110	150	02.17-10.20	*	
1.5 TSI (DPCA)		Gasolina	FWD	1498	110	150	02.17-10.20	*	
1.6 SRE (CWVA)		Gasolina	FWD	1598	81	110	01.14-02.17	*	
1.8 TSI (CJSA)		Gasolina	FWD	1798	132	180	11.12-10.20	*	
1.8 TSI (CJSB)		Gasolina	FWD	1798	132	180	11.12-10.20	*	
1.8 TSI 4x4 (CJSB)		Gasolina	4WD	1798	132	180	11.12-02.17	*	
2.0 TSI (DKZA)		Gasolina	FWD	1984	140	190	02.17-10.20	*	
2.0 TSI 4x4 (DKZA)		Gasolina	4WD	1984	140	190	02.19-10.20	*	
2.0 TSI RS (CHHB)		Gasolina	FWD	1984	162	220	11.12-02.17	*	
2.0 TSI RS (CHHA)		Gasolina	FWD	1984	169	230	05.15-10.20	*	
1.4 TSI G-TEC (CPWA)		Gasol./Gas (CNG)	FWD	1395	81	110	11.12-02.17	*	
1.5 TSI G-TEC (DHFA)		Gasol./Gas (CNG)	FWD	1498	96	130	01.19-10.20	*	
1.6 TDI (CLHB)		Diesel	FWD	1598	66	90	11.12-10.20	*	
1.6 TDI (CRKA)		Diesel	FWD	1598	66	90	11.12-10.20	*	
1.6 TDI (CXXA)		Diesel	FWD	1598	66	90	11.12-10.20	*	
1.6 TDI (DDYB)		Diesel	FWD	1598	66	90	11.12-10.20	*	
1.6 TDI (CLHA)		Diesel	FWD	1598	77	105	11.12-05.15	*	
1.6 TDI 4x4 (CLHA)		Diesel	4WD	1598	77	105	11.12-05.15	*	
1.6 TDI (CRKB)		Diesel	FWD	1598	81	110	05.13-02.17	*	
1.6 TDI (CXXB)		Diesel	FWD	1598	81	110	05.13-02.17	*	
1.6 TDI (DBKA)		Diesel	FWD	1598	81	110	05.13-02.17	*	
1.6 TDI 4x4 (CRKB)		Diesel	4WD	1598	81	110	05.15-02.17	*	
1.6 TDI 4x4 (CXXB)		Diesel	4WD	1598	81	110	05.15-02.17	*	
1.6 TDI 4x4 (DBKA)		Diesel	4WD	1598	81	110	05.15-02.17	*	
1.6 TDI (DDYA)		Diesel	FWD	1598	85	115	02.17-10.20	*	
1.6 TDI (DGTA)		Diesel	FWD	1598	85	115	02.17-10.20	*	
1.6 TDI (DGTE)		Diesel	FWD	1598	85	115	02.17-10.20	*	
1.6 TDI 4x4 (DGTE)		Diesel	4WD	1598	85	115	02.17-10.20	*	
2.0 TDI (CKFB)		Diesel	FWD	1968	105	143	11.12-02.17	*	

LISTA DE APLICACIONES - BUYERS GUIDE

2.0 TDI (CRVC)		Diesel	FWD	1968	105	143	11.12-02.17	*
2.0 TDI (CKFC)		Diesel	FWD	1968	110	150	11.12-10.20	*
2.0 TDI (CRMB)		Diesel	FWD	1968	110	150	11.12-10.20	*
2.0 TDI (CYKA)		Diesel	FWD	1968	110	150	11.12-10.20	*
2.0 TDI (DCYA)		Diesel	FWD	1968	110	150	11.12-10.20	*
2.0 TDI (DFFA)		Diesel	FWD	1968	110	150	11.12-10.20	*
2.0 TDI 4x4 (CKFC)		Diesel	4WD	1968	110	150	11.12-10.20	*
2.0 TDI 4x4 (CRMB)		Diesel	4WD	1968	110	150	11.12-10.20	*
2.0 TDI 4x4 (DCYA)		Diesel	4WD	1968	110	150	11.12-10.20	*
2.0 TDI 4x4 (DFFA)		Diesel	4WD	1968	110	150	11.12-10.20	*
2.0 TDI / TDI RS 4x4 (CUNA)		Diesel	4WD	1968	135	184	05.13-10.20	*
2.0 TDI / TDI RS 4x4 (CUPA)		Diesel	4WD	1968	135	184	05.13-10.20	*
2.0 TDI / TDI RS 4x4 (DJGA)		Diesel	4WD	1968	135	184	05.13-10.20	*
2.0 TDI RS (CUNA)		Diesel	FWD	1968	135	184	05.13-10.20	*
2.0 TDI RS (CUPA)		Diesel	FWD	1968	135	184	05.13-10.20	*
2.0 TDI RS (DJGA)		Diesel	FWD	1968	135	184	05.13-10.20	*

VW

GOLF VII / JETTA VII (5G1, BQ1, BE1, BE2) 08.12-				[CAMBIADO]:Fastback (Compact car-C Segment)				
1.0 TSI (CHZK)		Gasolina	FWD	999	63	86	01.17-07.19	*
1.0 TSI (DKLB)		Gasolina	FWD	999	63	86	01.17-07.19	*
1.0 TSI (CHZC)		Gasolina	FWD	999	81	110	11.16-08.20	*
1.0 TSI (CHZD)		Gasolina	FWD	999	85	115	05.15-08.20	*
1.0 TSI (DKRF)		Gasolina	FWD	999	85	115	05.15-08.20	*
1.2 TSI (CJZB)		Gasolina	FWD	1197	63	86	08.12-03.17	*
1.2 TSI (CYVA)		Gasolina	FWD	1197	63	86	08.12-03.17	*
1.2 TSI (CJZA)		Gasolina	FWD	1197	77	105	11.12-08.20	*
1.2 TSI (CYVB)		Gasolina	FWD	1197	81	110	04.14-03.17	*
1.4 TSI (CMBA)		Gasolina	FWD	1395	90	122	11.12-03.17	*
1.4 TSI (CXSA)		Gasolina	FWD	1395	90	122	11.12-03.17	*
1.4 TSI (CZCA)		Gasolina	FWD	1395	92	125	05.14-08.20	*
1.4 TSI (CHPA)		Gasolina	FWD	1395	103	140	08.12-08.20	*
1.4 TSI (CPTA)		Gasolina	FWD	1395	103	140	08.12-08.20	*
1.4 TSI (CHPB)		Gasolina	FWD	1395	110	150	05.14-03.21	*
1.4 TSI (CZDA)		Gasolina	FWD	1395	110	150	05.14-03.21	*
1.4 TSI (CZEA)		Gasolina	FWD	1395	110	150	05.14-03.21	*
1.4 TSI (DGXA)		Gasolina	FWD	1395	110	150	05.14-03.21	*
1.5 TSI (DACA)		Gasolina	FWD	1495	96	130	05.17-08.20	*
1.5 TSI (DADA)		Gasolina	FWD	1498	110	150	04.17-08.20	*
1.5 TSI (DPCA)		Gasolina	FWD	1498	110	150	04.17-08.20	*
1.6 (CWVA)		Gasolina	FWD	1598	81	110	05.14-07.17	*
2.0 GTI (CNTA)		Gasolina	FWD	1984	155	210	11.13-07.17	*
2.0 GTI (CXCA)		Gasolina	FWD	1984	155	210	11.13-07.17	*
2.0 GTI (CHHB)		Gasolina	FWD	1984	162	220	04.13-08.20	*
2.0 GTI (CNTC)		Gasolina	FWD	1984	162	220	04.13-08.20	*
2.0 GTI (CXCB)		Gasolina	FWD	1984	162	220	04.13-08.20	*
2.0 GTI (CXDA)		Gasolina	FWD	1984	162	220	04.13-08.20	*
2.0 GTI (CHHA)		Gasolina	FWD	1984	169	230	04.13-08.20	*
2.0 GTI (CXDB)		Gasolina	FWD	1984	169	230	04.13-08.20	*
2.0 GTI Clubsport (CJXE)		Gasolina	FWD	1984	195	265	02.16-03.17	*
2.0 R 4motion (CJXB)		Gasolina	4WD	1984	206	280	11.13-03.17	*
2.0 R		Gasolina	FWD	1984	213	290	11.13-	*

LISTA DE APLICACIONES - BUYERS GUIDE

2.0 R 4motion (CYFB)		Gasolina	4WD	1984	215	292	11.14-07.19	*
2.0 R 4motion (DJJA)		Gasolina	4WD	1984	215	292	11.14-07.19	*
2.0 R 4motion (DLRA)		Gasolina	4WD	1984	215	292	11.14-07.19	*
2.0 R 4motion (CJXC)		Gasolina	4WD	1984	221	300	11.13-08.20	*
2.0 R 4motion (DNUE)		Gasolina	4WD	1984	221	300	11.13-08.20	*
2.0 GTI Clubsport S (CJXG)		Gasolina	FWD	1984	228	310	09.16-03.17	*
2.0 R 360S 4motion (CJXC)		Gasolina	4WD	1984	265	360	09.16-03.17	*
1.4 TGI CNG (CPWA)		Gasol./Gas (CNG)	FWD	1395	81	110	06.13-07.18	*
1.4 TGI CNG (CZBA)		Gasol./Gas (CNG)	FWD	1395	81	110	06.13-07.18	*
1.5 TGI (DHFA)		Gasol./Gas (CNG)	FWD	1498	96	130	11.18-08.20	*
1.0 TSI Comfortline (DHSA)		Gasol./Etanol	FWD	999	92	125	06.15-	*
TSI Flex Fuel (DHSA)		Gasol./Etanol	FWD	999	94	128	08.18-	*
1.4 TSI MultiFuel (CPVA)		Gasol./Etanol	FWD	1395	90	122	11.12-03.17	*
1.4 TSI MultiFuel (CPVB)		Gasol./Etanol	FWD	1395	92	125	12.13-07.18	*
1.4 GTE Hybrid (CUKB)		Gasol./eléc.	FWD	1395	150	204	05.14-08.20	*
1.6 TDI (CLHB)		Diesel	FWD	1598	66	90	04.13-07.18	*
1.6 TDI (CRKA)		Diesel	FWD	1598	66	90	04.13-07.18	*
1.6 TDI (CXXA)		Diesel	FWD	1598	66	90	04.13-07.18	*
1.6 TDI (DDYB)		Diesel	FWD	1598	66	90	04.13-07.18	*
1.6 TDI (CLHA)		Diesel	FWD	1598	77	105	08.12-03.17	*
1.6 TDI 4motion (CLHA)		Diesel	4WD	1598	77	105	11.12-03.17	*
1.6 TDI (CRKB)		Diesel	FWD	1598	81	110	01.13-03.17	*
1.6 TDI (CXXB)		Diesel	FWD	1598	81	110	01.13-03.17	*
1.6 TDI (DBKA)		Diesel	FWD	1598	81	110	01.13-03.17	*
1.6 TDI 4motion (CRKB)		Diesel	4WD	1598	81	110	01.13-03.17	*
1.6 TDI 4motion (CXXB)		Diesel	4WD	1598	81	110	01.13-03.17	*
1.6 TDI (DDYA)		Diesel	FWD	1598	85	115	11.16-08.20	*
1.6 TDI (DGTE)		Diesel	FWD	1598	85	115	11.16-08.20	*
2.0 TDI (CRLD)		Diesel	FWD	1968	81	110	11.12-08.20	*
2.0 TDI (CRVA)		Diesel	FWD	1968	81	110	11.12-08.20	*
2.0 TDI (CYKB)		Diesel	FWD	1968	81	110	11.12-08.20	*
2.0 TDI (DCYB)		Diesel	FWD	1968	81	110	11.12-08.20	*
2.0 TDI (DEJB)		Diesel	FWD	1968	81	110	11.12-08.20	*
2.0 TDI (DFGB)		Diesel	FWD	1968	81	110	11.12-08.20	*
2.0 TDI (CRBB)		Diesel	FWD	1968	105	143	08.12-08.20	*
2.0 TDI (CRVC)		Diesel	FWD	1968	105	143	08.12-08.20	*
2.0 TDI (CRBC)		Diesel	FWD	1968	110	150	08.12-08.20	*
2.0 TDI (CRLB)		Diesel	FWD	1968	110	150	08.12-08.20	*
2.0 TDI (CRMB)		Diesel	FWD	1968	110	150	08.12-08.20	*
2.0 TDI (CRUA)		Diesel	FWD	1968	110	150	08.12-08.20	*
2.0 TDI (DCYA)		Diesel	FWD	1968	110	150	08.12-08.20	*
2.0 TDI (DEJA)		Diesel	FWD	1968	110	150	08.12-08.20	*
2.0 TDI (DFGA)		Diesel	FWD	1968	110	150	08.12-08.20	*
2.0 TDI 4motion (CKFC)		Diesel	4WD	1968	110	150	11.12-08.20	*
2.0 TDI 4motion (CRBC)		Diesel	4WD	1968	110	150	11.12-08.20	*
2.0 TDI 4motion (CRLB)		Diesel	4WD	1968	110	150	11.12-08.20	*

LISTA DE APLICACIONES - BUYERS GUIDE

2.0 TDI 4motion (CRMB)		Diesel	4WD	1968	110	150	11.12-08.20	*	
2.0 TDI 4motion (DCYA)		Diesel	4WD	1968	110	150	11.12-08.20	*	
2.0 GTD		Diesel	FWD	1968	130	177	11.16-	*	
2.0 GTD (CUNA)		Diesel	FWD	1968	135	184	04.13-08.20	*	
2.0 GTD (DGCA)		Diesel	FWD	1968	135	184	04.13-08.20	*	
2.0 GTD (DJGA)		Diesel	FWD	1968	135	184	04.13-08.20	*	
GOLF VII / JETTA VII (5G1, BQ1) 08.12-							Furgón/hatchback (Compact car-C Segment)		
1.2 TSI (CJZB)		Gasolina	FWD	1197	63	86	08.12-03.17	*	
1.2 TSI (CJZA)		Gasolina	FWD	1197	77	105	11.12-03.17	*	
1.4 TSI (CXSA)		Gasolina	FWD	1395	90	122	05.13-03.17	*	
1.4 TSI (CHPA)		Gasolina	FWD	1395	103	140	08.12-03.17	*	
2.0 GTI (CHHB)		Gasolina	FWD	1984	162	220	04.13-03.17	*	
2.0 GTI (CHHA)		Gasolina	FWD	1984	169	230	04.15-03.17	*	
1.6 TDI (CRKA)		Diesel	FWD	1598	66	90	04.13-03.17	*	
1.6 TDI (CLHA)		Diesel	FWD	1598	77	105	08.12-03.17	*	
1.6 TDI (CRKB)		Diesel	FWD	1598	81	110	11.13-03.17	*	
1.6 TDI (CXXB)		Diesel	FWD	1598	81	110	11.13-03.17	*	
2.0 TDI		Diesel	FWD	1968	110	150	05.13-05.14	*	
2.0 TDI 4motion (CRBC)		Diesel	4WD	1968	110	150	05.13-05.14	*	
2.0 GTD (CUNA)		Diesel	FWD	1968	135	184	04.13-03.17	*	
GOLF VII ALLTRACK Variant (BA5, BV5) 12.14-							[CAMBIADO]:Break (Compact car-C Segment)		
1.8 TSI 4motion		Gasolina	4WD	1798	125	170	08.16-	*	
1.8 TSI 4motion (CJSB)		Gasolina	4WD	1798	132	180	12.14-08.20	*	
TSi (CJSB)		Gasolina	FWD	1798	132	180	02.19-	*	
1.6 TDI 4motion (CRKB)		Diesel	4WD	1598	81	110	12.14-03.17	*	
1.6 TDI 4motion (CXXB)		Diesel	4WD	1598	81	110	12.14-03.17	*	
2.0 TDI 4motion (CRBC)		Diesel	4WD	1968	110	150	12.14-08.20	*	
2.0 TDI 4motion (CRLB)		Diesel	4WD	1968	110	150	12.14-08.20	*	
2.0 TDI 4motion (DCYA)		Diesel	4WD	1968	110	150	12.14-08.20	*	
2.0 TDI 4motion (CUNA)		Diesel	4WD	1968	135	184	12.14-08.20	*	
2.0 TDI 4motion (DGCA)		Diesel	4WD	1968	135	184	12.14-08.20	*	
2.0 TDI 4motion (DJGA)		Diesel	4WD	1968	135	184	12.14-08.20	*	
GOLF VII SPORTSVAN (AM1, AN1) 02.14-							[CAMBIADO]:Fastback (Compact car-C Segment)		
1.0 TSI (CHZK)		Gasolina	FWD	999	63	86	05.17-07.19	*	
1.0 TSI (DKLB)		Gasolina	FWD	999	63	86	05.17-07.19	*	
1.0 TSI (CHZC)		Gasolina	FWD	999	81	110	05.17-07.18	*	
1.0 TSI (CHZD)		Gasolina	FWD	999	85	115	05.15-08.20	*	
1.0 TSI (DKRF)		Gasolina	FWD	999	85	115	05.15-08.20	*	
1.2 TSI (CYVA)		Gasolina	FWD	1197	63	86	05.14-11.17	*	
1.2 TSI (CYVB)		Gasolina	FWD	1197	81	110	04.14-11.17	*	
1.4 TSI (CZCA)		Gasolina	FWD	1395	92	125	04.14-08.20	*	
1.4 TSI (CZDA)		Gasolina	FWD	1395	110	150	02.14-07.18	*	
1.5 TSI (DACA)		Gasolina	FWD	1495	96	130	05.17-08.20	*	
1.5 TSI (DADA)		Gasolina	FWD	1498	110	150	05.17-08.20	*	
1.5 TSI (DPCA)		Gasolina	FWD	1498	110	150	05.17-08.20	*	
1.6 (CWVA)		Gasolina	FWD	1598	81	110	05.14-11.16	*	
1.4 TSI MultiFuel (CPVB)		Gasol./Etanol	FWD	1395	92	125	04.14-11.17	*	
1.6 TDI (CRKA)		Diesel	FWD	1598	66	90	02.14-07.18	*	
1.6 TDI (CXXA)		Diesel	FWD	1598	66	90	02.14-07.18	*	

LISTA DE APLICACIONES - BUYERS GUIDE

1.6 TDI (DDYB)		Diesel	FWD	1598	66	90	02.14-07.18	*	
1.6 TDI (CRKB)		Diesel	FWD	1598	81	110	02.14-11.16	*	
1.6 TDI (CXXB)		Diesel	FWD	1598	81	110	02.14-11.16	*	
1.6 TDI (DBKA)		Diesel	FWD	1598	81	110	02.14-11.16	*	
1.6 TDI (DDYA)		Diesel	FWD	1598	85	115	11.16-08.20	*	
1.6 TDI (DGTE)		Diesel	FWD	1598	85	115	11.16-08.20	*	
2.0 TDI (CRLD)		Diesel	FWD	1968	81	110	05.14-11.17	*	
2.0 TDI (CRVA)		Diesel	FWD	1968	81	110	05.14-11.17	*	
2.0 TDI (DCYB)		Diesel	FWD	1968	81	110	05.14-11.17	*	
2.0 TDI (CRLB)		Diesel	FWD	1968	110	150	02.14-08.20	*	
2.0 TDI (DCYA)		Diesel	FWD	1968	110	150	02.14-08.20	*	
2.0 TDI (DFGA)		Diesel	FWD	1968	110	150	02.14-08.20	*	
GOLF VII VAN Variant / JETTA VII (BA5) 04.13-03.17							[CAMBIADO]:Furgón/Break (Compact car-C Segment)		
1.2 TSI (CJZB)		Gasolina	FWD	1197	63	86	05.13-03.17	*	
1.2 TSI (CYVA)		Gasolina	FWD	1197	63	86	05.13-03.17	*	
1.2 TSI (CJZA)		Gasolina	FWD	1197	77	105	04.13-03.17	*	
1.4 TSI (CXSA)		Gasolina	FWD	1395	90	122	05.13-03.17	*	
1.4 TSI (CHPA)		Gasolina	FWD	1395	103	140	05.13-03.17	*	
1.6 TDI (CLHB)		Diesel	FWD	1598	66	90	05.13-03.17	*	
1.6 TDI (CRKA)		Diesel	FWD	1598	66	90	05.13-03.17	*	
1.6 TDI (CXXA)		Diesel	FWD	1598	66	90	05.13-03.17	*	
1.6 TDI (CLHA)		Diesel	FWD	1598	77	105	05.13-03.17	*	
1.6 TDI 4motion (CLHA)		Diesel	4WD	1598	77	105	05.13-03.17	*	
1.6 TDI (CRKB)		Diesel	FWD	1598	81	110	05.13-03.17	*	
2.0 TDI (CRBC)		Diesel	FWD	1968	110	150	04.13-03.17	*	
2.0 TDI (CRLB)		Diesel	FWD	1968	110	150	04.13-03.17	*	
2.0 TDI 4motion (CRBC)		Diesel	4WD	1968	110	150	04.13-03.17	*	
2.0 TDI 4motion (CRLB)		Diesel	4WD	1968	110	150	04.13-03.17	*	
GOLF VII Variant / JETTA VII (BA5, BV5) 04.13-							[CAMBIADO]:Break (Compact car-C Segment)		
1.0 TSI (CHZK)		Gasolina	FWD	999	63	86	01.17-07.19	*	
1.0 TSI (DKLB)		Gasolina	FWD	999	63	86	01.17-07.19	*	
1.0 TSI (CHZC)		Gasolina	FWD	999	81	110	11.16-08.20	*	
1.0 TSI (CHZD)		Gasolina	FWD	999	85	115	05.15-08.20	*	
1.0 TSI (DKRF)		Gasolina	FWD	999	85	115	05.15-08.20	*	
1.2 TSI (CJZB)		Gasolina	FWD	1197	63	86	05.13-03.17	*	
1.2 TSI (CYVA)		Gasolina	FWD	1197	63	86	05.13-03.17	*	
1.2 TSI (CJZA)		Gasolina	FWD	1197	77	105	04.13-08.20	*	
1.2 TSI MultiFuel		Gasolina	FWD	1197	77	105	04.13-	*	
1.2 TSI (CYVB)		Gasolina	FWD	1197	81	110	04.14-03.17	*	
1.4 TSI BiFuel		Gasolina	FWD	1395	81	110	09.13-	*	
1.4 TSI (CXSA)		Gasolina	FWD	1395	90	122	05.13-03.17	*	
1.4 TSI (CZCA)		Gasolina	FWD	1395	92	125	05.14-08.20	*	
1.4 TSI (CZDD)		Gasolina	FWD	1395	92	125	05.14-08.20	*	
1.4 TSI (CHPA)		Gasolina	FWD	1395	103	140	05.13-08.20	*	
1.4 TSI (CHPB)		Gasolina	FWD	1395	110	150	05.14-03.21	*	
1.4 TSI (CZDA)		Gasolina	FWD	1395	110	150	05.14-03.21	*	
1.4 TSI (DGXA)		Gasolina	FWD	1395	110	150	05.14-03.21	*	
1.5 TSI (DACA)		Gasolina	FWD	1495	96	130	07.17-08.20	*	
1.5 TSI (DPBA)		Gasolina	FWD	1495	96	130	07.17-08.20	*	
1.5 TSI (DADA)		Gasolina	FWD	1498	110	150	04.17-08.20	*	

LISTA DE APLICACIONES - BUYERS GUIDE

1.5 TSI (DPCA)		Gasolina	FWD	1498	110	150	04.17-08.20	*
1.6 (CWVA)		Gasolina	FWD	1598	81	110	05.14-07.17	*
1.8 TSI 4motion (CJSB)		Gasolina	4WD	1798	132	179	11.16-08.20	*
2.0 R 4motion (CJXB)		Gasolina	4WD	1984	206	280	03.15-03.17	*
2.0 R 4motion (CJXC)		Gasolina	4WD	1984	221	300	03.15-08.20	*
2.0 R 4motion (DNUE)		Gasolina	4WD	1984	221	300	03.15-08.20	*
2.0 R 360S 4motion (CJXC)		Gasolina	4WD	1984	265	360	09.16-03.17	*
1.4 TGI CNG (CPWA)		Gasol./Gas (CNG)	FWD	1395	81	110	09.13-07.18	*
1.5 TGI (DHFA)		Gasol./Gas (CNG)	FWD	1498	96	131	12.18-08.20	*
1.4 TSI MultiFuel (CPVA)		Gasol./Etanol	FWD	1395	90	122	04.13-03.17	*
1.4 TSI MultiFuel (CPVB)		Gasol./Etanol	FWD	1395	92	125	05.14-03.17	*
1.6 TDI (CLHB)		Diesel	FWD	1598	66	90	05.13-07.18	*
1.6 TDI (CRKA)		Diesel	FWD	1598	66	90	05.13-07.18	*
1.6 TDI (CXXA)		Diesel	FWD	1598	66	90	05.13-07.18	*
1.6 TDI (DDYB)		Diesel	FWD	1598	66	90	05.13-07.18	*
1.6 TDI (CLHA)		Diesel	FWD	1598	77	105	05.13-03.17	*
1.6 TDI 4motion (CLHA)		Diesel	4WD	1598	77	105	05.13-03.17	*
1.6 TDI (CRKB)		Diesel	FWD	1598	81	110	05.13-03.17	*
1.6 TDI (CXXB)		Diesel	FWD	1598	81	110	05.13-03.17	*
1.6 TDI (DBKA)		Diesel	FWD	1598	81	110	05.13-03.17	*
1.6 TDI 4motion (CRKB)		Diesel	4WD	1598	81	110	05.13-03.17	*
1.6 TDI 4motion (CXXB)		Diesel	4WD	1598	81	110	05.13-03.17	*
1.6 TDI (DDYA)		Diesel	FWD	1598	85	115	11.16-08.20	*
1.6 TDI (DGTE)		Diesel	FWD	1598	85	115	11.16-08.20	*
2.0 TDI (CRLD)		Diesel	FWD	1968	81	110	05.13-08.20	*
2.0 TDI (CRVA)		Diesel	FWD	1968	81	110	05.13-08.20	*
2.0 TDI (CYKB)		Diesel	FWD	1968	81	110	05.13-08.20	*
2.0 TDI (DCYB)		Diesel	FWD	1968	81	110	05.13-08.20	*
2.0 TDI (DEJB)		Diesel	FWD	1968	81	110	05.13-08.20	*
2.0 TDI (DFGB)		Diesel	FWD	1968	81	110	05.13-08.20	*
2.0 TDI (CRBC)		Diesel	FWD	1968	110	150	04.13-08.20	*
2.0 TDI (CRLB)		Diesel	FWD	1968	110	150	04.13-08.20	*
2.0 TDI (CRUA)		Diesel	FWD	1968	110	150	04.13-08.20	*
2.0 TDI (DCYA)		Diesel	FWD	1968	110	150	04.13-08.20	*
2.0 TDI (DEJA)		Diesel	FWD	1968	110	150	04.13-08.20	*
2.0 TDI (DFGA)		Diesel	FWD	1968	110	150	04.13-08.20	*
2.0 TDI 4motion (CRBC)		Diesel	4WD	1968	110	150	04.13-08.20	*
2.0 TDI 4motion (CRLB)		Diesel	4WD	1968	110	150	04.13-08.20	*
2.0 TDI 4motion (DCYA)		Diesel	4WD	1968	110	150	04.13-08.20	*
2.0 GTD		Diesel	FWD	1968	130	177	11.16-	*
2.0 GTD (CUNA)		Diesel	FWD	1968	135	184	01.15-07.19	*
2.0 GTD (DGCA)		Diesel	FWD	1968	135	184	01.15-07.19	*
2.0 GTD (DJGA)		Diesel	FWD	1968	135	184	01.15-07.19	*
POLO V (6R1, 6C1) 03.09-					[CAMBIADO]:Fastback (Supermini car-B Segment)			
1.8 GTI 230 (DAJA)		Gasolina	FWD	1798	169	230	04.16-10.17	*

VW (FAW)

LISTA DE APLICACIONES - BUYERS GUIDE

BORA (C52, C53, 0K2) 06.18-					Sedán (Compact car-C Segment)			
1.5 (DJMA)	Gasolina	FWD	1498	85	116	06.18-	*	
TACQUA (C71) 12.19-					Closed SUV ()			
2850TSI	Gasolina	FWD	1395	110	150	12.19-	*	
1.5	Gasolina	FWD	1498	83	113	12.19-	*	
VW (SVW)								
GRAN LAVIDA (0C3) 08.18-					[CAMBIADO]:Fastback (Compact car-C Segment)			
1.2 200TSI (DJNB)	Gasolina	FWD	1197	85	116	08.18-	*	
LAVIDA III (0C1, 0E1, 0C2) 05.18-					Sedán (Compact car-C Segment)			
1.5 (DMBA)	Gasolina	FWD	1498	83	113	07.19-	*	
1.5 (DLWA)	Gasolina	FWD	1498	85	116	05.18-	*	
POLO PLUS III (C31) 06.19-					[CAMBIADO]:Fastback (Supermini car-B Segment)			
1.5	Gasolina	FWD	1498	83	113	06.19-	*	
T-CROSS (C81) 04.19-					SUV (Compact Crossover CUV-C Segment)			
1.4 280 Tsi	Gasolina	FWD	1395	110	150	04.19-	*	
1.5	Gasolina	FWD	1498	83	113	04.19-	*	