

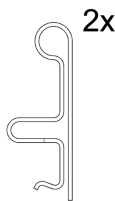
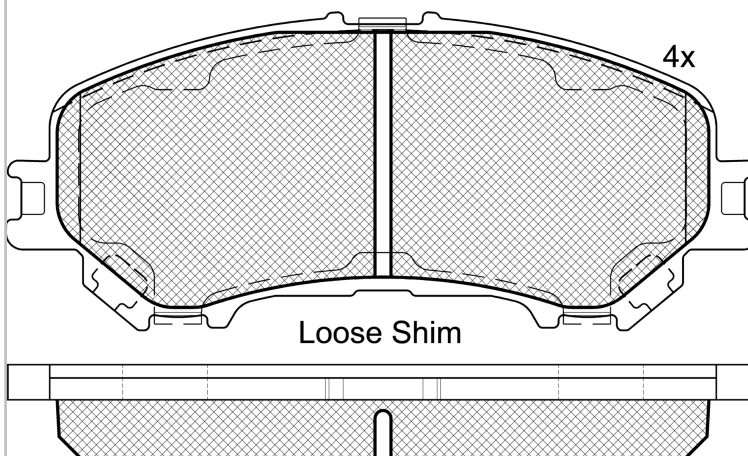
LISTA DE APLICACIONES - BUYERS GUIDE

**RB2181**



Qty: 300 Weight: 1.890

O.E.M.	MAKE
41 06 04E A0A	RENAULT
86 60 004 059	RENAULT
86 60 004 559	RENAULT
D1060-4BA0A	NISSAN
D1060-4EA0A	NISSAN
D1060-4EA0ARV	NISSAN
D1060-4EA0A-VA	NISSAN
D1060-6MT0A	NISSAN
D1M60-4BA0A	NISSAN



1-Ref. 610569 E

**RB2181**

E 9 90R-02A0111/4072



Akebono

141.85x59.8x17.9

WVA	FMSI
22065	D1737-8449
25970	

Sin Filas



Trac.	CC	Kw	CV
-------	----	----	----



Front / Rear

**NISSAN**

**KICKS (P15\_, PP15\_) 01.16-**

**SUV (Mini SUV-J Segment)**

1.6 Flex	Gasol./Etanol	FWD	1598	84	114	08.16-	*
----------	---------------	-----	------	----	-----	--------	---

**QASHQAI II SUV (J11, J11\_) 11.13-**

**SUV (Compact SUV-J Segment)**

1.2 DIG-T (HRA2DDT)	Gasolina	FWD	1197	85	116	11.13-08.18	*
1.3 DIG-T (HR13DDT)	Gasolina	FWD	1332	103	140	08.18-09.20	*
1.3 DIG-T	Gasolina	FWD	1332	116	158	10.20-04.21	*
1.3 DIG-T (HR13DDT)	Gasolina	FWD	1332	118	160	08.18-09.20	*
1.6 DIG-T (MR16DDT)	Gasolina	FWD	1618	120	163	02.14-08.18	*
2.0 (MR20DD)	Gasolina	FWD	1997	103	140	01.15-04.21	*
2.0 ALL MODE 4x4-i	Gasolina	4WD	1997	103	140	01.15-04.21	*
2.0 (MR20DD)	Gasolina	FWD	1997	104	141	07.17-04.21	*
2.0 ALL MODE 4x4-i	Gasolina	4WD	1997	104	141	07.17-04.21	*
2.0 (J11E) (MR20DD)	Gasolina	FWD	1997	106	144	06.14-04.21	*
2.0 ALL MODE 4x4-i (J11R) (MR20DD)	Gasolina	4WD	1997	106	144	12.13-04.21	*
1.5 dCi (K9K 636)	Diesel	FWD	1461	81	110	11.13-08.18	*
1.5 dCi (K9K 646)	Diesel	FWD	1461	81	110	11.13-08.18	*
1.5 dCi (K9K 872)	Diesel	FWD	1461	85	116	06.18-09.20	*
1.5 dCi (L15BR)	Diesel	FWD	1461	85	116	06.18-09.20	*
1.6 dCi (R9M)	Diesel	FWD	1598	96	130	11.13-08.18	*
1.6 dCi ALL MODE 4x4-i (R9M)	Diesel	4WD	1598	96	130	11.13-08.18	*
1.7 dCi (R9N 401)	Diesel	FWD	1749	110	150	01.19-09.20	*
1.7 dCi ALL MODE 4x4-i (R9N 401)	Diesel	4WD	1749	110	150	01.19-09.20	*

# LISTA DE APLICACIONES - BUYERS GUIDE

					<b>Furgoneta/SUV (Compact SUV-J Segment)</b>				
<b>QASHQAI II VAN (J11_) 11.13-</b>									
1.5 dCi		Diesel	FWD	1461	81	110	05.15-08.18	*	
1.5 dCi		Diesel	FWD	1461	85	116	06.18-09.20	*	
<b>ROGUE 01.07-12.15</b>					<b>SUV (Compact SUV-J Segment)</b>				
2.5 (QR25DE)		Gasolina	FWD	2488	127	173	01.07-12.15	*	
2.5 AWD (QR25DE)		Gasolina	4WD	2488	127	173	01.07-12.13	*	
<b>X-TRAIL III / ROGUE II (T32_, T32R, T32RR) 10.13-</b>					<b>SUV (Compact SUV-J Segment)</b>				
1.3 DIG-T (HR13DDT)		Gasolina	FWD	1332	118	160	04.19-	*	
2.5 (T32) (QR25DE)		Gasolina	FWD	2488	126	171	12.13-	*	
2.5 ALL MODE 4x4-i (NT32) (QR25DE)		Gasolina	4WD	2488	126	171	12.13-	*	
<b>NISSAN (DFAC)</b>									
<b>QASCHQAI (J10) 12.07-</b>					<b>SUV (Compact SUV-J Segment)</b>				
1.2 T		Gasolina	FWD	1197	86	117	10.15-	*	
2.0 Alas 4 ruedas		Gasolina	4WD	1997	106	144	01.11-12.15	*	
2.0		Gasolina	FWD	1997	110	150	10.15-	*	
<b>QASCHQAI II (J11) 10.15-</b>					<b>SUV (Compact SUV-J Segment)</b>				
2.0 (MR20)		Gasolina	FWD	1997	111	151	08.20-	*	
2.0 (MR20)		Gasolina	FWD	1997	113	154	04.19-	*	
<b>X-TRAIL (T32) 02.14-</b>					<b>SUV (Compact SUV-J Segment)</b>				
2.0 2WD (MR20DD)		Gasolina	FWD	1197	111	151	08.20-	*	
2.0 (MR20DD)		Gasolina	FWD	1197	113	154	08.18-	*	
2.0 (MR20DD)		Gasolina	FWD	1997	110	150	03.14-12.18	*	
2.0 Alas 4 ruedas (MR20DD)		Gasolina	4WD	1997	110	150	03.14-12.18	*	
2.5 4WD (QR25)		Gasolina	4WD	2488	133	181	08.20-	*	
2.5 A las 4 ruedas		Gasolina	FWD	2488	137	186	02.14-	*	
<b>RENAULT</b>									
<b>KADJAR (HA_, HL_) 06.15-</b>					<b>SUV (Compact SUV-J Segment)</b>				
1.2 TCe 130 (HLMR) (H5F 408)		Gasolina	FWD	1197	96	130	06.15-	*	
1.3 TCe 140 (HLNB, HLN1) (H5H 470)		Gasolina	FWD	1332	103	140	08.18-	*	
1.3 TCe 160 (HLN2)		Gasolina	FWD	1332	116	158	07.21-	*	
1.3 TCe 160 (HLNC) (H5H 470)		Gasolina	FWD	1332	117	160	08.18-	*	
1.6 TCe 165 (HLMH)		Gasolina	FWD	1618	120	163	11.16-	*	
1.5 dCi 110 (HLA3) (K9K 646)		Diesel	FWD	1461	81	110	06.15-	*	
1.5 dCi 110 (HLA3) (K9K 647)		Diesel	FWD	1461	81	110	06.15-	*	
1.5 dCi 110 (HLA3) (K9K 648)		Diesel	FWD	1461	81	110	06.15-	*	
1.5 dCi 110 (HLA3) (K9K 649)		Diesel	FWD	1461	81	110	06.15-	*	
1.5 BLUE dCi 115 (HLA6) (K9K 872)		Diesel	FWD	1461	85	116	08.18-	*	
1.5 BLUE dCi 115 (HLA6) (K9K 873)		Diesel	FWD	1461	85	116	08.18-	*	
1.6 dCi 130 (HLA4) (R9M 414)		Diesel	FWD	1598	96	130	06.15-	*	
1.6 dCi 130 4x4 (HLA4) (R9M 414)		Diesel	4WD	1598	96	130	06.15-	*	
1.7 Blue dCi 150 (HLA7) (R9N 401)		Diesel	FWD	1749	110	150	08.18-	*	
1.7 Blue dCi 150 4WD (HLA7) (R9N 401)		Diesel	4WD	1749	110	150	08.18-	*	
<b>RENAULT (DFAC)</b>									
<b>KADJAR 03.16-</b>					<b>SUV (Compact SUV-J Segment)</b>				
1.2 T (H5F 408)		Gasolina	FWD	1197	86	117	04.17-	*	
2.0 (M5R)		Gasolina	FWD	1997	110	150	03.16-	*	
2.0 AWD (M5R)		Gasolina	4WD	1997	110	150	03.16-	*	
2.0 (M5R)		Gasolina	FWD	1997	113	154	11.18-	*	

# LISTA DE APLICACIONES - BUYERS GUIDE

<b>KOLEOS 11.16-</b>				<b>SUV (Compact SUV-J Segment)</b>			
2.0 (M5R)	Gasolina	FWD	1997	110	150	11.16-	*
SCe230 (M5R)	Gasolina	FWD	1997	113	154	04.19-	*
2.5 SCe230 (QR25)	Gasolina	FWD	2488	137	186	11.16-	*
2.5 SCe230 AWD (QR25)	Gasolina	4WD	2488	137	186	11.16-	*