

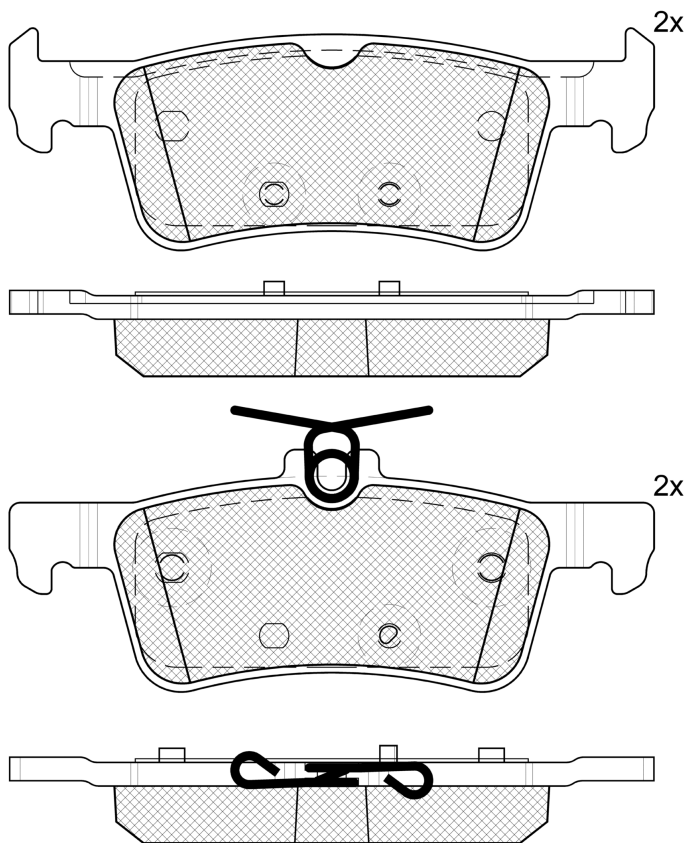
LISTA DE APLICACIONES - BUYERS GUIDE

RB2174-208



Qty: 300 Weight: 810

O.E.M.	MAKE
16 113 314 80	PEUGEOT
16 129 103 80	PEUGEOT (DF-PSA)
16 478 758 80	PEUGEOT
1647886480	PEUGEOT



RB2174-208

E 9 90R-02A0111/4391



Ate - Teves

123.1x42.5x16.1

123.1x46.3x16.1

WVA	FMSI
25968	D1890-9118
25969	

Sin Filas



Trac.	CC	Kw	CV
-------	----	----	----



Front / Rear

PEUGEOT

							[CAMBIADO]:Fastback (Compact car-C Segment)		
308 II (LB_, LP_, LW_, LH_, L3_) 09.13-									
1.2 VTi 72 (HMZ (EB2F))		Gasolina	FWD	1199	60	82	09.13-06.21	*	
1.2 THP 110 (HNP (EB2ADT))		Gasolina	FWD	1199	81	110	11.13-06.21	*	
1.2 THP 110 (HNV (EB2DTM))		Gasolina	FWD	1199	81	110	11.13-06.21	*	
1.2 THP 110 (HNZ (EB2DT))		Gasolina	FWD	1199	81	110	11.13-06.21	*	
1.2 THP 130 (HNY (EB2DTS))		Gasolina	FWD	1199	96	131	11.13-06.21	*	
1.6 VTi 115 (NFP (EC5))		Gasolina	FWD	1587	85	115	05.15-06.21	*	
1.6 Flex		Gasolina	FWD	1587	90	122	12.14-	*	
1.6		Gasolina	FWD	1587	121	165	12.14-	*	
1.6 VTi		Gasolina	FWD	1598	85	115	03.14-	*	
1.6 THP 125 (5FA (EP6CDT))		Gasolina	FWD	1598	92	125	09.13-06.21	*	
1.6 THP 150 (5GX (EP6FDTMD))		Gasolina	FWD	1598	110	150	03.14-06.21	*	
1.6 THP (5GX (EP6FDTMD))		Gasolina	FWD	1598	112	152	09.13-06.21	*	
1.6 THP (5FV (EP6CDT))		Gasolina	FWD	1598	115	156	09.13-06.21	*	
1.6 THP 163 (5FM (EP6CDTM))		Gasolina	FWD	1598	120	163	06.14-06.21	*	
1.6 GT 205 (5GT (EP6FDTX))		Gasolina	FWD	1598	151	205	06.14-06.21	*	
1.6 PureTech 225 (GGR (EP6FADTX))		Gasolina	FWD	1598	165	225	01.18-06.21	*	
1.6 GTi (5GP (EP6FDTR))		Gasolina	FWD	1598	184	250	08.15-06.21	*	
1.6 GTi PureTech 263 (L3EGXP) (EGX (EP6FADTR))		Gasolina	FWD	1598	193	263	07.18-06.21	*	
1.6 GTi (L35GNH) (5GN (EP6FDTR))		Gasolina	FWD	1598	200	272	06.15-06.21	*	
1.6 Flex		Gasol./Etanol	FWD	1598	127	173	11.15-02.19	*	
1.5 BlueHdi 100 (YHY (DV5RD))		Diesel	FWD	1499	75	102	05.18-06.21	*	
1.5 BlueHdi 130 (YHZ (DV5RC))		Diesel	FWD	1499	96	131	06.17-06.21	*	

LISTA DE APLICACIONES - BUYERS GUIDE

1.6 HDi (9HP (DV6DTE))		Diesel	FWD	1560	68	92	09.13-06.21	*	
1.6 HDi 100 (BHY (DV6FD))		Diesel	FWD	1560	73	99	04.14-06.21	*	
1.6 HDi / BlueHDi 115 (9HC (DV6C))		Diesel	FWD	1560	85	115	09.13-06.21	*	
1.6 HDi / BlueHDi 115 (BHZ (DV6FC))		Diesel	FWD	1560	85	115	09.13-06.21	*	
1.6 BlueHDi 120 (BHZ (DV6FC))		Diesel	FWD	1560	88	120	11.13-06.21	*	
2.0 BlueHDi 150 (AHX (DW10FCD))		Diesel	FWD	1997	110	150	11.13-06.21	*	
2.0 BlueHDi 150 (AHX (DW10FD))		Diesel	FWD	1997	110	150	11.13-06.21	*	
2.0 GT BlueHDi 180 (EHZ (DW10FC))		Diesel	FWD	1997	130	177	06.17-06.21	*	
2.0 GT BlueHDi 180 (AHW (DW10FC))		Diesel	FWD	1997	132	179	06.17-06.21	*	
2.0 GT BlueHDi 180 (AHW (DW10FC))		Diesel	FWD	1997	133	181	06.14-06.21	*	
308 II (LB_) 03.15-							Furgón/hatchback (Compact car-C Segment)		
1.5 BlueHDi 130 (LBYHZP) (YHZ (DV5RC))		Diesel	FWD	1499	96	131	06.17-06.21	*	
1.6 e-HDi 115 (LB9HCG) (9HC (DV6C))		Diesel	FWD	1560	85	116	03.15-06.21	*	
1.6 BlueHDi 120 (LBBHZM) (BHX (DV6FC))		Diesel	FWD	1560	88	120	03.15-06.21	*	
308 II SW (LC_, LJ_, LR_, LX_, L4_) 03.14-							[CAMBIADO]:Break (Compact car-C Segment)		
1.2 THP 110 (HNP (EB2ADT))		Gasolina	FWD	1199	81	110	03.14-06.21	*	
1.2 THP 110 (HNV (EB2DTM))		Gasolina	FWD	1199	81	110	03.14-06.21	*	
1.2 THP 110 (HNZ (EB2DT))		Gasolina	FWD	1199	81	110	03.14-06.21	*	
1.2 THP 130 (HNY (EB2DTS))		Gasolina	FWD	1199	96	131	03.14-06.21	*	
1.6 VTi (LWNFPA) (NFP (EC5))		Gasolina	FWD	1587	85	115	03.14-06.21	*	
1.6 THP 125 (5FA (EP6CDT))		Gasolina	FWD	1598	92	125	03.14-06.21	*	
1.6 THP 150 (L45GXA) (5GX (EP6FDTMD))		Gasolina	FWD	1598	110	150	03.14-06.21	*	
1.6 THP 155 (5FV (EP6CDT))		Gasolina	FWD	1598	115	156	03.14-06.21	*	
1.6 THP 163		Gasolina	FWD	1598	120	163	06.14-	*	
1.6 GT 205 (5GT (EP6FDTX))		Gasolina	FWD	1598	151	205	02.15-06.21	*	
1.6 PureTech 225 (L45GGR) (5GG (EP6FADTX))		Gasolina	FWD	1598	165	225	01.18-06.21	*	
1.5 BlueHDi 100 (YHY (DV5RD))		Diesel	FWD	1499	75	102	04.18-06.21	*	
1.5 BlueHDi 130 (YHZ (DV5RC))		Diesel	FWD	1499	96	131	06.17-06.21	*	
1.6 HDi 92 (9HP (DV6DTE))		Diesel	FWD	1560	68	92	03.14-06.21	*	
1.6 BlueHDi 100 (BHY (DV6FD))		Diesel	FWD	1560	73	99	04.14-06.21	*	
1.6 HDi / BlueHDi 115 (LCBHXM, LCBHXT) (9HC (DV6C))		Diesel	FWD	1560	85	115	03.14-06.21	*	
1.6 HDi / BlueHDi 115 (LCBHXM, LCBHXT) (BHZ (DV6FC))		Diesel	FWD	1560	85	115	03.14-06.21	*	
1.6 BlueHDi 120 (BHZ (DV6FC))		Diesel	FWD	1560	88	120	03.14-06.21	*	
2.0 BlueHDi 150 (AHX (DW10FCD))		Diesel	FWD	1997	110	150	03.14-06.21	*	
2.0 GT BlueHDi 180 (EHZ (DW10FC))		Diesel	FWD	1997	130	177	06.17-06.21	*	
2.0 GT BlueHDi 180 (AHW (DW10FC))		Diesel	FWD	1997	132	179	06.17-06.21	*	
2.0 GT HDi 180 / BlueHDi 180 (AHW (DW10FC))		Diesel	FWD	1997	133	181	06.14-06.21	*	
308 II SW (LC_) 04.14-							[CAMBIADO]:Furgón/Break (Compact car-C Segment)		
1.5 BlueHDi 130 (LCYHZP) (YHZ (DV5RC))		Diesel	FWD	1499	96	131	06.17-06.21	*	
1.6 BlueHDi (BHY (DV6FD))		Diesel	FWD	1560	73	99	04.14-06.21	*	
308 SW (4E_, 4H_) 09.07-							[CAMBIADO]:Break (Compact car-C Segment)		
1.6 HDi (9HD (DV6C))		Diesel	FWD	1560	84	114	03.13-10.14	*	
PEUGEOT (DF-PSA)									
408 II 08.14-							Sedán (Compact car-C Segment)		
1.2 THP		Gasolina	FWD	1199	100	136	03.15-	*	
1.6		Gasolina	FWD	1587	86	117	01.13-	*	
1.6		Gasolina	FWD	1598	123	167	08.14-	*	
1.8		Gasolina	FWD	1813	102	139	08.14-	*	

LISTA DE APLICACIONES - BUYERS GUIDE