

LISTA DE APLICACIONES - BUYERS GUIDE

**RB2174**

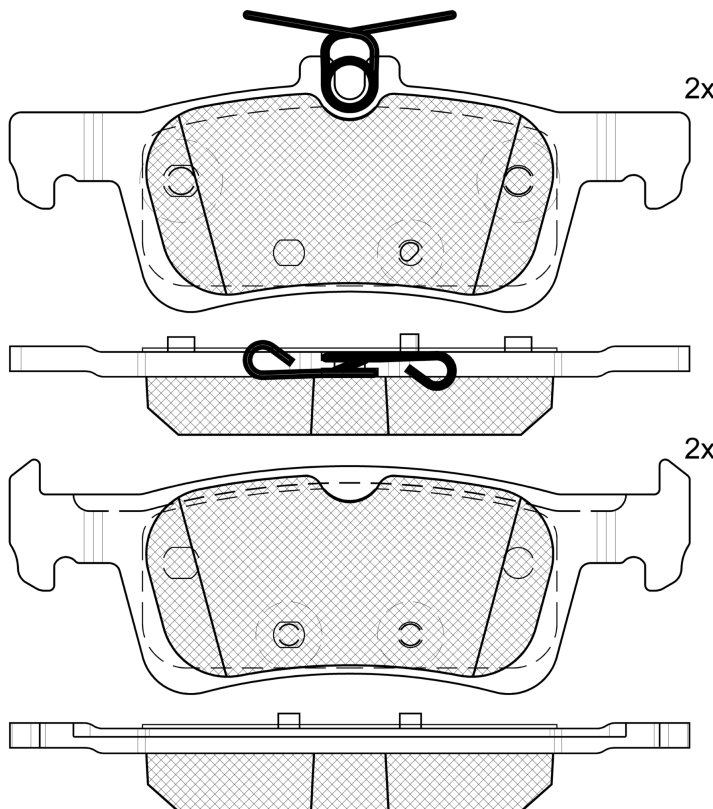


8 424073 139245

Qty: 300

Weight: 775

O.E.M.	MAKE
16 108 141 80	PEUGEOT
16 197 913 80	PEUGEOT
16 197 914 80	PEUGEOT
16 478 756 80	PEUGEOT
1647894280	PEUGEOT



**RB2174**

**E 9 90R-02A0111/3848**



Ate - Teves

123.1x42.5x15.7
123.1x46.3x15.7

WVA
25841
25842

Sin Filas



Trac.	CC	Kw	CV	Icon	Front / Rear

**FORD**

					[CAMBIADO]:Fastback (Supermini car-B Segment)				
<b>FIESTA VII (HJ, HF) 05.17-</b>									
1.0 EcoBoost		Gasolina	FWD	999	92	125	07.20-	*	
1.1 Ti-VCT LPG		Gasol./Gas (LPG)	FWD	1084	55	75	10.19-	*	
1.0 EcoBoost Flex		Gasol./Etanol	FWD	999	70	95	03.20-12.22	*	
<b>FIESTA VII 09.18-</b>					Furgón/hatchback (LCVs-N1 Segment)				
1.0 EcoBoost Flex		Gasol./Etanol	FWD	999	70	95	12.19-	*	
1.0 EcoBoost mHEV		Gasol./eléc.	FWD	999	92	125	06.20-	*	

**PEUGEOT**

					[CAMBIADO]:Fastback (Compact car-C Segment)			
<b>308 II (LB_, LP_, LW_, LH_, L3_) 09.13-</b>								
1.2 VTi 72 (HMZ (EB2F))		Gasolina	FWD	1199	60	82	09.13-06.21	*
1.2 THP 110 (HNP (EB2ADT))		Gasolina	FWD	1199	81	110	11.13-06.21	*
1.2 THP 110 (HNV (EB2DTM))		Gasolina	FWD	1199	81	110	11.13-06.21	*
1.2 THP 110 (HNZ (EB2DT))		Gasolina	FWD	1199	81	110	11.13-06.21	*
1.2 THP 130 (HNY (EB2DTS))		Gasolina	FWD	1199	96	131	11.13-06.21	*
1.6 VTi 115 (NFP (EC5))		Gasolina	FWD	1587	85	115	05.15-06.21	*
1.6 Flex		Gasolina	FWD	1587	90	122	12.14-	*
1.6		Gasolina	FWD	1587	121	165	12.14-	*
1.6 VTi		Gasolina	FWD	1598	85	115	03.14-	*
1.6 THP 125 (5FA (EP6CDT))		Gasolina	FWD	1598	92	125	09.13-06.21	*
1.6 THP 150 (5GX (EP6FDTMD))		Gasolina	FWD	1598	110	150	03.14-06.21	*
1.6 THP (5GX (EP6FDTMD))		Gasolina	FWD	1598	112	152	09.13-06.21	*

## LISTA DE APLICACIONES - BUYERS GUIDE

1.6 THP (5FV (EP6CDT))		Gasolina	FWD	1598	115	156	09.13-06.21	*
1.6 THP 163 (5FM (EP6CDTM))		Gasolina	FWD	1598	120	163	06.14-06.21	*
1.6 GT 205 (5GT (EP6FDTX))		Gasolina	FWD	1598	151	205	06.14-06.21	*
1.6 PureTech 225 (GGR (EP6FADTX))		Gasolina	FWD	1598	165	225	01.18-06.21	*
1.6 Flex		Gasol./Etanol	FWD	1598	127	173	11.15-02.19	*
1.5 BlueHDi 100 (YHY (DV5RD))		Diesel	FWD	1499	75	102	05.18-06.21	*
1.5 BlueHDi 130 (YHZ (DV5RC))		Diesel	FWD	1499	96	131	06.17-06.21	*
1.6 HDi (9HP (DV6DTED))		Diesel	FWD	1560	68	92	09.13-06.21	*
1.6 HDi 100 (BHY (DV6FD))		Diesel	FWD	1560	73	99	04.14-06.21	*
1.6 HDi / BlueHDi 115 (9HC (DV6C))		Diesel	FWD	1560	85	115	09.13-06.21	*
1.6 HDi / BlueHDi 115 (BHZ (DV6FC))		Diesel	FWD	1560	85	115	09.13-06.21	*
1.6 BlueHDi 120 (BHZ (DV6FC))		Diesel	FWD	1560	88	120	11.13-06.21	*
2.0 BlueHDi 150 (AHX (DW10FCD))		Diesel	FWD	1997	110	150	11.13-06.21	*
2.0 BlueHDi 150 (AHX (DW10FD))		Diesel	FWD	1997	110	150	11.13-06.21	*
2.0 GT BlueHDi 180 (EHZ (DW10FC))		Diesel	FWD	1997	130	177	06.17-06.21	*
2.0 GT BlueHDi 180 (AHW (DW10FC))		Diesel	FWD	1997	132	179	06.17-06.21	*
2.0 GT BlueHDi 180 (AHW (DW10FC))		Diesel	FWD	1997	133	181	06.14-06.21	*
<b>308 II (LB_) 03.15-</b>							<b>Furgón/hatchback (Compact car-C Segment)</b>	
1.5 BlueHDi 130 (LBYHZP) (YHZ (DV5RC))		Diesel	FWD	1499	96	131	06.17-06.21	*
1.6 e-HDi 115 (LB9HCG) (9HC (DV6C))		Diesel	FWD	1560	85	116	03.15-06.21	*
1.6 BlueHDi 120 (LBBHZM) (BHX (DV6FC))		Diesel	FWD	1560	88	120	03.15-06.21	*
<b>308 II SW (LC_, LJ_, LR_, LX_, L4_) 03.14-</b>							<b>[CAMBIADO]:Break (Compact car-C Segment)</b>	
1.2 THP 110 (HNP (EB2ADT))		Gasolina	FWD	1199	81	110	03.14-06.21	*
1.2 THP 110 (HNV (EB2DTM))		Gasolina	FWD	1199	81	110	03.14-06.21	*
1.2 THP 110 (HNZ (EB2DT))		Gasolina	FWD	1199	81	110	03.14-06.21	*
1.2 THP 130 (HNY (EB2DTS))		Gasolina	FWD	1199	96	131	03.14-06.21	*
1.6 VTi (LWNFPA) (NFP (EC5))		Gasolina	FWD	1587	85	115	03.14-06.21	*
1.6 THP 125 (5FA (EP6CDT))		Gasolina	FWD	1598	92	125	03.14-06.21	*
1.6 THP 150 (L45GXA) (5GX (EP6FDTMD))		Gasolina	FWD	1598	110	150	03.14-06.21	*
1.6 THP 155 (5FV (EP6CDT))		Gasolina	FWD	1598	115	156	03.14-06.21	*
1.6 THP 163		Gasolina	FWD	1598	120	163	06.14-	*
1.6 GT 205 (5GT (EP6FDTX))		Gasolina	FWD	1598	151	205	02.15-06.21	*
1.6 PureTech 225 (L45GGR) (5GG (EP6FADTX))		Gasolina	FWD	1598	165	225	01.18-06.21	*
1.5 BlueHDi 100 (YHY (DV5RD))		Diesel	FWD	1499	75	102	04.18-06.21	*
1.5 BlueHDi 130 (YHZ (DV5RC))		Diesel	FWD	1499	96	131	06.17-06.21	*
1.6 HDi 92 (9HP (DV6DTED))		Diesel	FWD	1560	68	92	03.14-06.21	*
1.6 BlueHDi 100 (BHY (DV6FD))		Diesel	FWD	1560	73	99	04.14-06.21	*
1.6 HDi / BlueHDi 115 (LCBHXM, LCBHXT) (9HC (DV6C))		Diesel	FWD	1560	85	115	03.14-06.21	*
1.6 HDi / BlueHDi 115 (LCBHXM, LCBHXT) (BHZ (DV6FC))		Diesel	FWD	1560	85	115	03.14-06.21	*
1.6 BlueHDi 120 (BHZ (DV6FC))		Diesel	FWD	1560	88	120	03.14-06.21	*
2.0 BlueHDi 150 (AHX (DW10FCD))		Diesel	FWD	1997	110	150	03.14-06.21	*
2.0 GT BlueHDi 180 (EHZ (DW10FC))		Diesel	FWD	1997	130	177	06.17-06.21	*
2.0 GT BlueHDi 180 (AHW (DW10FC))		Diesel	FWD	1997	132	179	06.17-06.21	*
2.0 GT HDi 180 / BlueHDi 180 (AHW (DW10FC))		Diesel	FWD	1997	133	181	06.14-06.21	*
<b>308 II SW (LC_) 04.14-</b>							<b>[CAMBIADO]:Furgón/Break (Compact car-C Segment)</b>	
1.5 BlueHDi 130 (LCYHZP) (YHZ (DV5RC))		Diesel	FWD	1499	96	131	06.17-06.21	*
1.6 BlueHDi (BHY (DV6FD))		Diesel	FWD	1560	73	99	04.14-06.21	*

# LISTA DE APLICACIONES - BUYERS GUIDE

<b>308 SW (4E_, 4H_) 09.07-</b>					<b>[CAMBIADO]:Break (Compact car-C Segment)</b>			
1.6 HDi (9HD (DV6C))	Diesel	FWD	1560	84	114	03.13-10.14	*	
<b>PEUGEOT (DF-PSA)</b>								
<b>308 09.16-</b>					<b>Sedán (Compact car-C Segment)</b>			
190THP	Gasolina	FWD	1199	85	116	01.19-	*	
230 THP	Gasolina	FWD	1199	100	136	09.16-	*	
1.6 (NFP(EC5))	Gasolina	FWD	1587	86	117	09.16-	*	
<b>308S 04.15-</b>					<b>[CAMBIADO]:Fastback (Compact car-C Segment)</b>			
1.2 THP	Gasolina	FWD	1199	100	136	04.15-	*	
1.6 VTi	Gasolina	FWD	1587	86	117	04.15-	*	
<b>408 II 08.14-</b>					<b>Sedán (Compact car-C Segment)</b>			
1.8	Gasolina	FWD	1813	102	139	08.14-	*	