

LISTA DE APLICACIONES - BUYERS GUIDE

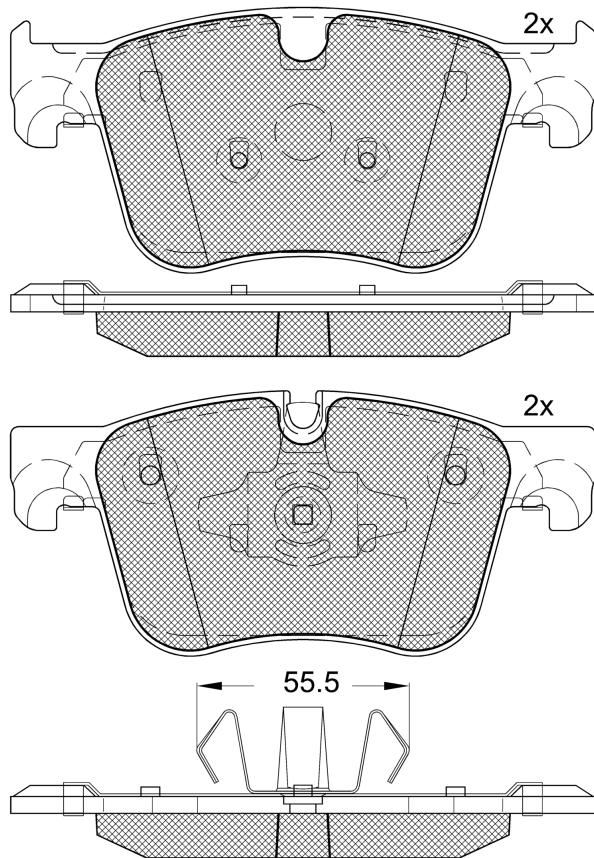
RB2166-203



Qty: 300

Weight: 1.890

O.E.M.	MAKE
16 231 623 80	PEUGEOT
16 369 254 80	DS
16 678 170 80	DS
16 781 684 80	DS
93 487 177	VAUXHALL
95 525 370	VAUXHALL
SU001-A8883	TOYOTA
SU001-B3587	TOYOTA



RB2166-203

90R-02A0111/4838



Ate - Teves

155.2x70.4x17

155.2x70.5x17

WVA	FMSI
22813	D1974-9201
25833	

Sin Filas



Trac.	CC	Kw	CV		
					Front / Rear

CITROËN

						Furgoneta/MPV (LCVs-N1 Segment)			
BERLINGO II (B9) 04.08-									
PureTech 110 (HNZ (EB2DT))		Gasolina	FWD	1199	81	110	01.18-12.18	*	
BERLINGO III (K9) 06.18-						Furgoneta/MPV (LCVs-N1 Segment)			
PureTech 110 (HNP (EB2ADT))		Gasolina	FWD	1199	81	110	06.18-	*	
PureTech 130 (HNS (EB2ADTS))		Gasolina	FWD	1199	96	131	10.19-	*	
1.6 16V Flex		Gasol./Etanol	FWD	1587	90	122	10.18-	*	
1.5 BlueHDi 75 (YHW (DV5RE))		Diesel	FWD	1499	55	75	10.19-	*	
1.5 BlueHDi 100 (YHY (DV5RD))		Diesel	FWD	1499	75	102	06.18-	*	
1.5 BlueHDi 130 (YHZ (DV5RC))		Diesel	FWD	1499	96	131	06.18-	*	
1.5 BlueHDi 130 4x4 (YHZ (DV5RC))		Diesel	4WD	1499	96	131	06.18-	*	
1.6 BlueHDi 75 (BHW (DV6FE))		Diesel	FWD	1560	55	75	06.18-04.20	*	
1.6 BlueHDi 100 (BHY (DV6FD))		Diesel	FWD	1560	73	99	06.18-04.21	*	
BERLINGO III (ER_, EC_) 06.18-						MPV (Large MPV-M1 Segment)			
1.2 PureTech 110 (HNP (EB2ADT))		Gasolina	FWD	1199	81	110	06.18-	*	
1.2 PureTech 130 (HNS (EB2ADTS))		Gasolina	FWD	1199	96	131	07.19-	*	
1.5 BlueHDi 75 (YHW (DV5RE))		Diesel	FWD	1499	56	76	06.18-	*	
1.5 BlueHDi 100 (YHY (DV5RD))		Diesel	FWD	1499	75	102	06.18-	*	
1.5 BlueHDi 130 (ECYHZJ, ECYHZR) (YHZ (DV5RC))		Diesel	FWD	1499	96	131	06.18-	*	
1.6 HDI 92		Diesel	FWD	1560	68	92	09.18-	*	
1.6 BlueHDi 100		Diesel	FWD	1560	73	99	01.19-	*	
C4 II (NC_) 01.13-						Sedán (Compact car-C Segment)			
1.6 THP (5FE (EP6CDTMD))		Gasolina	FWD	1598	110	150	01.13-	*	

LISTA DE APLICACIONES - BUYERS GUIDE

1.6 THP 165		Gasolina	FWD	1598	121	165	08.13-10.20	*	
1.6 HDi (9HD (DV6C))		Diesel	FWD	1560	84	115	08.13-	*	
1.6 HDi (9HR (DV6C))		Diesel	FWD	1560	84	115	08.13-	*	
C4 II Grand Picasso (DA_, DE_) 06.13-					MPV (Large MPV-M1 Segment)				
1.2 THP 130 (HNY (EB2DTS))		Gasolina	FWD	1199	96	130	04.14-	*	
1.6 VTI 120 (5FS (EP6C))		Gasolina	FWD	1598	88	120	09.13-	*	
1.6 THP 150 (5FX (EP6DT))		Gasolina	FWD	1598	110	150	09.14-	*	
1.6 THP 155 (5FV (EP6CDT))		Gasolina	FWD	1598	115	156	09.13-	*	
1.6 THP 165 (5GZ (EP6FDT))		Gasolina	FWD	1598	121	165	07.14-	*	
2.0 BlueHDi 135 Hybrid		Diesel/el éc.	FWD	1997	100	136	09.13-	*	
1.6 HDi 90 (9HP (DV6DTED))		Diesel	FWD	1560	68	92	09.13-	*	
1.6 BlueHDi 100 (BHY (DV6FD))		Diesel	FWD	1560	73	99	01.15-04.16	*	
1.6 HDi / BlueHDi 115 (9HC (DV6C))		Diesel	FWD	1560	85	115	09.13-03.18	*	
1.6 HDi / BlueHDi 115 (BHX (DV6FC))		Diesel	FWD	1560	85	115	09.13-03.18	*	
1.6 BlueHDi 120 (BHZ (DV6FC))		Diesel	FWD	1560	88	120	07.14-12.18	*	
2.0 BlueHDi 135 (AHV (DW10FD))		Diesel	FWD	1997	100	136	09.13-	*	
2.0 BlueHDi 135 (RHD (DW10CB))		Diesel	FWD	1997	100	136	09.13-	*	
2.0 BlueHDi 150 (AHR (DW10FD))		Diesel	FWD	1997	110	150	06.13-	*	
2.0 BlueHDi 150 (AHX (DW10FD))		Diesel	FWD	1997	110	150	06.13-	*	
C4 II PICASSO (DD_) 01.13-					Furgoneta/MPV (Compact MPV-M1 Segment)				
VTi 120 (DD5FS0)		Gasolina	FWD	1598	88	120	02.13-	*	
THP 155 (DD5FV8)		Gasolina	FWD	1598	115	156	02.13-	*	
HDi / e-HDi (DD9HP0, DD9HPT)		Diesel	FWD	1560	68	92	02.13-	*	
e-HDi (DD9HC8, DD9HCT)		Diesel	FWD	1560	85	116	02.13-	*	
BlueHDi 150 (DDAHXT)		Diesel	FWD	1997	110	150	09.13-	*	
C4 II PICASSO 01.13-					MPV (Compact MPV-M1 Segment)				
1.2 THP 110 (HNZ (EB2DT))		Gasolina	FWD	1199	81	110	04.16-	*	
1.2 THP 130 (HNY (EB2DTS))		Gasolina	FWD	1199	96	130	04.14-	*	
1.6 VTI 120 (5FS (EP6C))		Gasolina	FWD	1598	88	120	02.13-	*	
1.6 THP 150 (5FX (EP6DT))		Gasolina	FWD	1598	110	150	09.14-	*	
1.6 THP 155 (5FV (EP6CDT))		Gasolina	FWD	1598	115	156	02.13-	*	
1.6 THP 165 (5GZ (EP6FDT))		Gasolina	FWD	1598	121	165	07.14-	*	
2.0 BlueHDi 135 Hybrid		Diesel/el éc.	FWD	1997	100	136	09.13-	*	
1.6 HDi 90 (9HP (DV6DTED))		Diesel	FWD	1560	68	92	02.13-	*	
1.6 BlueHDi 100 (BHY (DV6FD))		Diesel	FWD	1560	73	99	12.14-12.18	*	
1.6 HDi / BlueHDi 115 (9HC (DV6C))		Diesel	FWD	1560	85	115	02.13-03.18	*	
1.6 HDi / BlueHDi 115 (BHX (DV6FC))		Diesel	FWD	1560	85	115	02.13-03.18	*	
1.6 BlueHDi 120 (BHZ (DV6FC))		Diesel	FWD	1560	88	120	07.14-12.18	*	
2.0 BlueHDi 135 (AHV (DW10FD))		Diesel	FWD	1997	100	136	09.13-	*	
2.0 BlueHDi 135 (RHD (DW10CB))		Diesel	FWD	1997	100	136	09.13-	*	
2.0 BlueHDi 150 (AHE (DW10FD))		Diesel	FWD	1997	110	150	09.13-	*	
2.0 BlueHDi 150 (AHR (DW10FD))		Diesel	FWD	1997	110	150	09.13-	*	
2.0 BlueHDi 150 (AHX (DW10FD))		Diesel	FWD	1997	110	150	09.13-	*	
C4 SPACETOURER (3D_) 04.18-					MPV (Compact MPV-M1 Segment)				
1.2 PureTech 110 (HNX (EB2DTS))		Gasolina	FWD	1199	81	110	04.18-	*	
1.2 PureTech 130 (HNY (EB2DTS))		Gasolina	FWD	1199	96	131	04.18-	*	
1.6 THP 165 (5GZ (EP6FDT))		Gasolina	FWD	1598	121	165	04.18-	*	
1.5 BlueHDi 130 (YHZ (DV5RC))		Diesel	FWD	1499	96	131	05.18-	*	
1.6 BlueHDi 100 (BHY (DV6FD))		Diesel	FWD	1560	73	99	04.18-04.19	*	

LISTA DE APLICACIONES - BUYERS GUIDE

1.6 BlueHDi 120 (BHZ (DV6FC))		Diesel	FWD	1560	88	120	04.18-04.19	*
2.0 BlueHDi 150 (AHX (DW10FD))		Diesel	FWD	1997	110	150	04.18-	*
2.0 BlueHDi 160 (EHY (DW10FCC))		Diesel	FWD	1997	120	163	04.18-	*
C4 SPACETOURER Van (3D_) 04.18-					Furgoneta/MPV (Compact car-C Segment)			
PureTech 130 (HNY (EB2DTS))		Gasolina	FWD	1199	96	131	05.19-	*
BlueHDi 130 (YHZ (DV5RC))		Diesel	FWD	1499	96	131	05.19-	*
BlueHDi 120 (BHZ (DV6FC))		Diesel	FWD	1560	88	120	05.19-	*
C5 AIRCROSS (AC_, AJ_, AR_, A4_) 11.18-					SUV (Compact SUV-J Segment)			
1.2 PureTech 130 (ARHNSJ) (HNS (EB2ADTS))		Gasolina	FWD	1199	96	131	11.18-	*
1.6 THP 150 (A45GXJ) (5GX (EP6FDTMD))		Gasolina	FWD	1598	110	150	09.19-	*
1.6 THP 165 (A45GYJ) (5GY (EP6FDTM))		Gasolina	FWD	1598	121	165	05.19-	*
1.6 PureTech 180 (A45GFR) (5GF (EP6FADTXD))		Gasolina	FWD	1598	133	181	11.18-	*
1.6 Hybrid 225 (A45GFR) (5GF (EP6FADTXD))		Gasol./el éc.	FWD	1598	133	181	04.20-	*
1.6 Hybrid 225 (A45GFR)		Gasol./el éc.	FWD	1598	165	224	04.20-	*
1.5 BlueHDi 130 (ACYHZJ, ACYHZR) (YHZ (DV5RC))		Diesel	FWD	1499	96	131	11.18-	*
2.0 BlueHDi 180 (AJEHZR) (EHZ (DW10FC))		Diesel	FWD	1997	130	177	11.18-	*
GRAND C4 SPACETOURER Van (3A_, 3E_) 04.18-					Furgoneta/MPV (Compact car-C Segment)			
PureTech 130 (HNY (EB2DTS))		Gasolina	FWD	1199	96	131	05.19-	*
BlueHDi 130 (YHZ (DV5RC))		Diesel	FWD	1499	96	131	05.19-	*
BlueHDi 160 (EHY (DW10FCC))		Diesel	FWD	1997	120	163	05.19-	*
GRAND C4 SPACETOURER (3A_, 3E_) 04.18-					MPV (Large MPV-M1 Segment)			
1.2 PureTech 130 (HNS (EB2ADTS))		Gasolina	FWD	1199	96	131	04.18-	*
1.2 PureTech 130 (HNY (EB2DTS))		Gasolina	FWD	1199	96	131	04.18-	*
1.6 THP 165 (5GX (EP6FDTMD))		Gasolina	FWD	1598	110	150	04.18-	*
1.6 THP 165 (5GZ (EP6FDT))		Gasolina	FWD	1598	121	165	04.18-	*
1.6 PureTech 180 (5GF (EP6FADTXD))		Gasolina	FWD	1598	133	181	04.18-	*
1.5 BlueHDi 130 (YHZ (DV5RC))		Diesel	FWD	1499	96	131	05.18-	*
1.6 BlueHDi 100 (BHY (DV6FD))		Diesel	FWD	1560	73	99	04.18-04.19	*
1.6 HDi 115 (9HC (DV6C))		Diesel	FWD	1560	85	116	04.18-	*
1.6 BlueHDi 120 (BHZ (DV6FC))		Diesel	FWD	1560	88	120	04.18-08.18	*
2.0 BlueHDi 150 (AHR (DW10FD))		Diesel	FWD	1997	110	150	04.18-	*
2.0 BlueHDi 150 (AHX (DW10FD))		Diesel	FWD	1997	110	150	04.18-	*
2.0 BlueHDi 160 (EHY (DW10FCC))		Diesel	FWD	1997	120	163	04.18-	*
DS								
DS 7 Crossback (J4_, JR_, JC_) 09.17-					SUV (Compact Crossover CUV-C Segment)			
PureTech 130 (JRHNSU) (HNS (EB2ADTS))		Gasolina	FWD	1199	96	130	10.18-09.22	*
1.6 PureTech 165 (J45GYV) (5GY (EP6FDTM))		Gasolina	FWD	1598	121	165	07.18-	*
1.6 PureTech 180 (J45GFR) (5GF (EP6FADTXD))		Gasolina	FWD	1598	133	180	04.18-	*
1.6 PureTech 225 (J45GCR, J45GGR) (5GC (EP6FADTX))		Gasolina	FWD	1598	165	224	09.17-12.22	*
E-TENSE (J45GQU) (5GQ (EP6FADTXHP))		Gasol./el éc.	FWD	1598	133	181	10.19-	*
E-TENSE 225 (J4DGZU)		Gasol./el éc.	FWD	1598	133	181	05.21-	*
E-TENSE (J45GQU) (5GQ (EP6FADTXHP))		Gasol./el éc.	FWD	1598	147	200	10.19-	*
E-TENSE 4x4 (J45GBU) (5GB (EP6FADTXHP))		Gasol./el éc.	4WD	1598	147	200	05.19-	*
E-TENSE 225 (J4DGZU, J45GQU)		Gasol./el éc.	FWD	1598	165	224	09.20-	*

LISTA DE APLICACIONES - BUYERS GUIDE

E-TENSE 4x4 (J45GBU) (5GB (EP6FADTXHP))		Gasol./el éc.	4WD	1598	221	300	05.19-	*
1.5 BlueHDi 130 (JCYHZJ, JCYHZR) (YHZ (DV5RC))		Diesel	FWD	1499	96	130	09.17-	*
2.0 BlueHDi 180 (JJEHZR) (EHZ (DW10FC))		Diesel	FWD	1997	130	177	09.17-09.20	*
2.0 HDi 180 (JJEHZR) (EHZ (DW10FC))		Diesel	FWD	1997	132	179	07.18-	*
DS (CAPSA)								
DS 7 04.18-							SUV ()	
35 THP		Gasolina	FWD	1598	133	180	04.18-	*
45 THP		Gasolina	FWD	1598	158	215	07.19-	*
45 THP		Gasolina	FWD	1598	162	220	04.18-	*
OPEL								
COMBO E (K9) 06.18-							Furgoneta/MPV (Large MPV-M1 Segment)	
1.2 (D 12 XHL (EB2ADT))		Gasolina	FWD	1199	81	110	02.19-	*
1.2 (F 12 XHL)		Gasolina	FWD	1199	81	110	02.19-	*
1.2 (F 12 XHT (EB2ADTS))		Gasolina	FWD	1199	96	131	09.19-	*
1.5 D (D 15 DTL (DV5RE))		Diesel	FWD	1499	56	76	08.18-	*
1.5 D (D 15 DT (DV5RD))		Diesel	FWD	1499	75	102	08.18-	*
1.5 D (D 15 DTH (DV5RC))		Diesel	FWD	1499	96	131	08.18-	*
1.5 D A las 4 ruedas (D 15 DTH (DV5RC))		Diesel	4WD	1499	96	131	08.18-	*
1.6 D (B 16 DTL (DV6FE))		Diesel	FWD	1560	55	75	06.18-04.21	*
1.6 D (B 16 DT (DV6FD))		Diesel	FWD	1560	73	99	06.18-04.20	*
COMBO E Tour / Life (K9) 06.18-							MPV (Large MPV-M1 Segment)	
1.2 (D 12 XHL (EB2ADT))		Gasolina	FWD	1199	81	110	06.18-	*
1.2 (F 12 XHL)		Gasolina	FWD	1199	81	110	06.18-	*
1.2 (F 12 XHT (EB2ADTS))		Gasolina	FWD	1199	96	131	07.19-	*
1.5 (D 15 DTL (DV5RE))		Diesel	FWD	1499	56	76	06.18-	*
1.5 (D 15 DT (DV5RD))		Diesel	FWD	1499	75	102	06.18-	*
1.5 (D 15 DTH (DV5RC))		Diesel	FWD	1499	96	131	06.18-	*
1.6		Diesel	FWD	1560	68	92	09.19-	*
GRANDLAND / GRANDLAND X (A18, P1UO) 06.17-							SUV (Compact Crossover CUV-C Segment)	
1.2 (75)		Gasolina	FWD	1199	60	82	10.17-	*
1.2		Gasolina	FWD	1199	81	110	06.17-07.21	*
1.2 (75) (B 12 XHT (EB2DTS))		Gasolina	FWD	1199	96	131	06.17-	*
1.2 (75) (D 12 XHT (EB2ADTS))		Gasolina	FWD	1199	96	131	06.17-	*
1.6 Turbo (75) (A 16 XHL (EP6FDTMD))		Gasolina	FWD	1598	110	150	12.19-07.21	*
1.6 (75)		Gasolina	FWD	1598	115	156	10.17-	*
1.6 Turbo (A 16 NHT (EP6FDTM))		Gasolina	FWD	1598	121	165	10.17-	*
1.6 Turbo (75) (D 16 XHT (EP6FADTXD))		Gasolina	FWD	1598	133	181	09.18-07.21	*
1.2 LPG (75)		Gasol./G as (LPG)	FWD	1199	55	75	10.17-	*
1.6 Turbo Hybrid (F 16 XHR (EP6FADTXD))		Gasol./el éc.	FWD	1598	133	181	12.19-	*
1.6 Turbo Hybrid4 (F 16 XHR (EP6FADTXD))		Gasol./el éc.	4WD	1598	147	200	06.19-	*
1.6 Turbo Hybrid (F 16 XHR (EP6FADTXD))		Gasol./el éc.	FWD	1598	165	224	12.19-	*
1.6 Turbo Hybrid4 (F 16 XHR (EP6FADTXD))		Gasol./el éc.	4WD	1598	221	300	06.19-	*
1.5 Turbo D (75) (D 15 DT (DV5RD))		Diesel	FWD	1499	75	102	06.18-07.21	*
1.5 Turbo D (75) (D 15 DTH (DV5RC))		Diesel	FWD	1499	96	131	04.18-	*
1.6 Turbo D(75)		Diesel	FWD	1560	73	99	10.17-	*
1.6 Turbo D(75) (B 16 DTH (DV6FC))		Diesel	FWD	1560	88	120	06.17-07.21	*

LISTA DE APLICACIONES - BUYERS GUIDE

1.6 Turbo D(75)		Diesel	FWD	1598	120	163	04.18-	*	
2.0 D (75) (D 20 DTH (DW10FC))		Diesel	FWD	1997	130	177	11.17-07.21	*	
2.0 D (75)		Diesel	FWD	1997	132	179	11.17-	*	
GRANDLAND X Van 06.17-							Furgoneta/SUV (Compact Crossover CUV-C Segment)		
1.2 (75) (D 12 XHT (EB2ADTS))		Gasolina	FWD	1199	96	131	04.18-07.21	*	
1.5 (75) (D 15 DTH (DV5RC))		Diesel	FWD	1499	96	131	04.18-07.21	*	
2.0 CDTi (75) (D 20 DTH (DW10FC))		Diesel	FWD	1997	130	177	11.17-07.21	*	
PEUGEOT									
3008 II (MR_, MC_, MJ_) 05.16-							Furgoneta/SUV (Compact Crossover CUV-C Segment)		
PureTech 130 (MRHNYH)		Gasolina	FWD	1199	96	131	05.16-	*	
BlueHDi 130 (MCYHZZ)		Diesel	FWD	1499	96	131	02.18-	*	
BlueHDi 180 (MJEHZZ)		Diesel	FWD	1997	130	177	01.18-	*	
3008 II SUV (MC_, MR_, MJ_, M4_) 05.16-							SUV (Compact Crossover CUV-C Segment)		
1.2 THP/ PureTech 130 (MRHNSM, MRHNSU, MRHNSJ, MRHNYW,... (HNS (EB2ADTS))		Gasolina	FWD	1199	96	131	05.16-	*	
1.2 THP/ PureTech 130 (MRHNSM, MRHNSU, MRHNSJ, MRHNYW,... (HNY (EB2DTS))		Gasolina	FWD	1199	96	131	05.16-	*	
1.6 THP 150 (5GX (EP6FDTMD))		Gasolina	FWD	1598	110	150	11.17-	*	
1.6 THP 163		Gasolina	FWD	1598	120	163	05.16-	*	
1.6 THP 165 (M45GYW, M45GZW, M45GYV) (5GY (EP6FDTM))		Gasolina	FWD	1598	121	165	05.16-	*	
1.6 THP 165 (M45GYW, M45GZW, M45GYV) (5GZ (EP6FDT))		Gasolina	FWD	1598	121	165	05.16-	*	
1.6 PureTech 180 (M45GFR, M45GFU) (5GF (EP6FADTXD))		Gasolina	FWD	1598	133	181	07.18-	*	
hybrid (5GQ (EP6FADTXHPD))		Gasol./el éc.	FWD	1598	133	181	10.19-	*	
Hybrid4 (M45GBU) (5GB (EP6FADTXHPA))		Gasol./el éc.	4WD	1598	147	200	10.19-	*	
hybrid (5GQ (EP6FADTXHPD))		Gasol./el éc.	FWD	1598	165	224	10.19-	*	
Hybrid4 (M45GBU) (5GB (EP6FADTXHPA))		Gasol./el éc.	4WD	1598	220	299	10.19-	*	
1.5 BlueHDi 130 (YHZ (DV5RC))		Diesel	FWD	1499	96	131	02.18-	*	
1.6 BlueHDi 100 (BHY (DV6FD))		Diesel	FWD	1560	73	100	11.16-12.19	*	
1.6 BlueHDi 115 (MCBHXW, MCBHYB) (BHX (DV6FC))		Diesel	FWD	1560	85	116	11.16-12.19	*	
1.6 BlueHDi 120 (BHZ (DV6FC))		Diesel	FWD	1560	88	120	05.16-12.19	*	
2.0 BlueHDi 136 (AHV (DW10FD))		Diesel	FWD	1997	100	136	11.16-	*	
2.0 BlueHDi 150 (MJAHXH, MJAHXV, MJAHXG, MJAHS, MJARRH,... (AHX (DW10FD))		Diesel	FWD	1997	110	150	05.16-09.20	*	
2.0 BlueHDi 180 (EHZ (DW10FC))		Diesel	FWD	1997	130	177	01.18-	*	
2.0 BlueHDi 180 (AHW (DW10FC))		Diesel	FWD	1997	133	181	05.16-	*	
5008 II (MC_, MJ_) 12.16-							Furgoneta/MPV (Compact MPV-M1 Segment)		
BlueHDi 130 (MCYHZZ, MCYHZZ, MCYHZZ)		Diesel	FWD	1499	96	131	06.18-	*	
BlueHDi 180 (MJEHZZ)		Diesel	FWD	1997	130	177	01.18-	*	
5008 II (MC_, MJ_, MR_, M4_) 12.16-							MPV (Compact MPV-M1 Segment)		
1.2 THP (MRHNYH, MRHNYW, MRHNSJ, MRHNSU, MRHNSM) (HNS (EB2ADTS))		Gasolina	FWD	1199	96	131	12.16-	*	
1.2 THP (MRHNYH, MRHNYW, MRHNSJ, MRHNSU, MRHNSM) (HNY (EB2DTS))		Gasolina	FWD	1199	96	131	12.16-	*	
1.6 THP 110 (M45GXV, M45GXW) (5GX (EP6FDTMD))		Gasolina	FWD	1598	110	150	07.18-	*	
1.6 THP 165 (M45GZW, M45GYW, M45GYV) (5GY (EP6FDTM))		Gasolina	FWD	1598	121	165	12.16-	*	
1.6 THP 165 (M45GZW, M45GYW, M45GYV) (5GZ (EP6FDT))		Gasolina	FWD	1598	121	165	12.16-	*	

LISTA DE APLICACIONES - BUYERS GUIDE

1.6 PureTech 180 (M45GFR, M45GFU) (5GF (EP6FADTXD))	Gasolina	FWD	1598	133	181	07.18-	*
1.5 BlueHDi 130 (MCYHJZ, MCYHZR, MCYHZX) (YHZ (DV5RC))	Diesel	FWD	1499	96	131	02.18-	*
1.6 BlueHDi 100 (MCBHYB) (BHY (DV6FD))	Diesel	FWD	1560	73	99	12.16-	*
1.6 BlueHDi 115 (MCBHXH, MCBHXW) (BHX (DV6FC))	Diesel	FWD	1560	85	116	12.16-11.19	*
1.6 BlueHDi 120 (MCBHZH, MCBHZW) (BHZ (DV6FC))	Diesel	FWD	1560	88	120	12.16-11.19	*
2.0 BlueHDi 136 (MJAHVW) (AHS (DW10FD))	Diesel	FWD	1997	100	136	12.16-	*
2.0 BlueHDi 136 (MJAHVW) (AHV (DW10FD))	Diesel	FWD	1997	100	136	12.16-	*
2.0 BlueHDi 150 (MJAHXW, MJAHXH, MJAHXN, MJAHXV, MJAHXG) (AHX (DW10FD))	Diesel	FWD	1997	110	150	12.16-	*
2.0 BlueHDi 180 (MJEHZW, MJEHZR, MJEHZP) (EHZ (DW10FC))	Diesel	FWD	1997	130	177	01.18-	*
2.0 BlueHDi 180 (MJAHWV) (AHW (DW10FC))	Diesel	FWD	1997	133	181	12.16-	*
508 II (FB_, FH_, F3_) 09.18-							[CAMBIADO]:Fastback (Large family car-D Segment)
PureTech 130 (FBHNSR) (HNS (EB2ADTS))	Gasolina	FWD	1199	96	131	06.20-	*
1.6 THP 150 (F35GXV) (5GX (EP6FDTMD))	Gasolina	FWD	1598	110	150	09.18-	*
1.6 THP 165 (F35GYV) (5GY (EP6FDTM))	Gasolina	FWD	1598	121	165	09.18-	*
1.6 PureTech 180 (F35GFR) (5GF (EP6FADTXD))	Gasolina	FWD	1598	133	181	10.18-	*
1.6 PureTech 225 (F35GGR) (5GG (EP6FADTX))	Gasolina	FWD	1598	165	224	10.18-	*
Hybrid 225 (F35GQU) (5GQ (EP6FADTXHPD))	Gasol./el éc.	FWD	1598	133	181	08.19-	*
PSE Hybrid4 360 (F35GBT)	Gasol./el éc.	4WD	1598	147	200	01.21-	*
Hybrid 225 (F35GQU) (5GQ (EP6FADTXHPD))	Gasol./el éc.	FWD	1598	165	224	08.19-	*
1.5 BlueHDi 130 (FBYHJZ, FBYHZR) (YHZ (DV5RC))	Diesel	FWD	1499	96	131	10.18-	*
2.0 BlueHDi 160 (FHEHYR) (EHY (DW10FCC))	Diesel	FWD	1997	120	163	10.18-	*
2.0 BlueHDi 180 (FHEHZR, FHEHZN) (EHZ (DW10FC))	Diesel	FWD	1997	130	177	10.18-	*
508 II SW (FC_, FJ_, F4_) 09.18-							[CAMBIADO]:Break (Large family car-D Segment)
PureTech 130 (HNS (EB2ADTS))	Gasolina	FWD	1199	96	131	06.20-	*
1.6 THP 165 (F45GYV) (5GY (EP6FDTM))	Gasolina	FWD	1598	121	165	09.18-	*
1.6 PureTech 180 (GFR (EP6FADTXD))	Gasolina	FWD	1598	133	181	09.18-	*
1.6 PureTech 225 (F45GGR) (GCR (EP6FADTX))	Gasolina	FWD	1598	165	224	09.18-	*
Hybrid 224 (F45GQU) (5GQ (EP6FADTXHPD))	Gasol./el éc.	FWD	1598	133	181	08.19-	*
PSE Hybrid4 360 (F45GBT)	Gasol./el éc.	4WD	1598	147	200	01.21-	*
Hybrid 224 (F45GQU) (5GQ (EP6FADTXHPD))	Gasol./el éc.	FWD	1598	165	224	08.19-	*
1.5 BlueHDi 130 (YHZ (DV5RC))	Diesel	FWD	1499	96	131	09.18-	*
2.0 BlueHDi 160 (EHY (DW10FCC))	Diesel	FWD	1997	120	163	09.18-	*
2.0 BlueHDi 180 (EHZ (DW10FC))	Diesel	FWD	1997	130	177	09.18-	*
PARTNER III (K9) 09.18-							Furgoneta/MPV (LCVs-N1 Segment)
1.2 PureTech 110 (HNP (EB2ADT))	Gasolina	FWD	1199	81	110	01.19-	*
1.2 PureTech 130 (HNS (EB2ADTS))	Gasolina	FWD	1199	96	131	07.19-	*
1.6 16V Flex	Gasol./Et anol	FWD	1587	90	122	10.18-	*
1.5 BlueHDi 75 (YHW (DV5RE))	Diesel	FWD	1499	55	75	07.19-	*
1.5 BlueHDi 100 (YHY (DV5RD))	Diesel	FWD	1499	75	102	07.19-	*
1.5 BlueHDi 130 (YHZ (DV5RC))	Diesel	FWD	1499	96	131	09.18-	*
1.5 BlueHDi 130 4x4 (YHZ (DV5RC))	Diesel	4WD	1499	96	131	09.18-	*
1.6 BlueHDi 75 (BHW (DV6FE))	Diesel	FWD	1560	55	75	09.18-	*
1.6 HDi 92	Diesel	FWD	1560	68	92	09.18-	*

LISTA DE APLICACIONES - BUYERS GUIDE

1.6 BlueHDi 100 (BHY (DV6FD))	Diesel	FWD	1560	73	99	09.18-	*
RIFTER (K9) 09.18-				MPV (Large MPV-M1 Segment)			
1.2 PureTech 110 (HNP (EB2ADT))	Gasolina	FWD	1199	81	110	09.18-	*
1.2 PureTech 130 (HNS (EB2ADTS))	Gasolina	FWD	1199	96	131	07.19-	*
1.5 BlueHDi 75 (ECYHW) (YHW (DV5RE))	Diesel	FWD	1499	55	75	09.18-	*
1.5 BlueHDi 100 (YHY (DV5RD))	Diesel	FWD	1499	75	102	08.18-	*
1.5 BlueHDi 130 (YHZ (DV5RC))	Diesel	FWD	1499	96	131	09.18-	*
1.6 HDi 75 / BlueHDi 75 (9HN (DV6ETED))	Diesel	FWD	1560	55	75	09.18-	*
1.6 HDi 75 / BlueHDi 75 (BHW (DV6FE))	Diesel	FWD	1560	55	75	09.18-	*
1.6 HDi 90	Diesel	FWD	1560	66	90	09.18-	*
1.6 HDi 92 (9HP (DV6DTE))	Diesel	FWD	1560	68	92	09.18-	*
1.6 BlueHDi 100 (BHY (DV6FD))	Diesel	FWD	1560	73	99	09.18-	*
PEUGEOT (DF-PSA)							
508 L 03.19-				Sedán (Large family car-D Segment)			
L 350 THP	Gasolina	FWD	1598	123	167	03.19-	*
L 360 THP	Gasolina	FWD	1598	125	170	03.19-	*
L 400 THP	Gasolina	FWD	1751	155	211	03.19-	*
TOYOTA							
PROACE II CITY (BPZ_) 10.19-				Furgoneta/MPV (LCVs-N1 Segment)			
1.2 VVT-i 110 (BPZN) (EB2ADT)	Gasolina	FWD	1199	81	110	10.19-	*
1.2 VVT-i 130 (BPZN) (EB2ADTS)	Gasolina	FWD	1199	96	131	10.19-	*
Electric (BPZS)	Eléctrico	FWD		100	136	07.21-02.24	*
Electric (BPZZ)	Eléctrico	FWD		100	136	03.24-	*
1.5 D-4D 75 (BPZM) (DV5RE)	Diesel	FWD	1499	55	75	10.19-	*
1.5 D-4D 100 (BPZM) (DV5RD)	Diesel	FWD	1499	75	102	10.19-	*
1.5 D-4D 130 (BPZM) (DV5RC)	Diesel	FWD	1499	96	131	10.19-	*
1.6 D-4D 92 (BPZQ)	Diesel	FWD	1560	68	92	01.22-	*
PROACE II CITY VERSO (BKY_) 10.19-				MPV (Large MPV-M1 Segment)			
1.2 VVT-i 110 (BKYN) (EB2ADT)	Gasolina	FWD	1199	81	110	10.19-	*
1.2 VVT-i 130 (BKYN) (EB2ADTS)	Gasolina	FWD	1199	96	131	10.19-	*
Electric (BKYS)	Eléctrico	FWD		100	136	07.21-02.24	*
Electric (BKYZ)	Eléctrico	FWD		100	136	03.24-	*
1.5 D-4D 100 (BKYM) (DV5RD)	Diesel	FWD	1499	75	102	10.19-	*
1.5 D-4D 130 (BKYM) (DV5RC)	Diesel	FWD	1499	96	131	10.19-	*
1.6 D-4D 92 (BKYQ)	Diesel	FWD	1560	68	92	01.22-	*
VAUXHALL							
COMBO Mk IV (K9) 06.18-				Furgoneta/MPV (LCVs-N1 Segment)			
1.2 (D 12 XHL (EB2ADT))	Gasolina	FWD	1199	81	110	02.19-	*
1.5 D (D 15 DTL (DV5RE))	Diesel	FWD	1499	56	76	08.18-	*
1.5 D (D 15 DT (DV5RD))	Diesel	FWD	1499	75	102	08.18-	*
1.5 D (D 15 DTH (DV5RC))	Diesel	FWD	1499	96	131	08.18-	*
1.5 D 4x4 (D 15 DTH (DV5RC))	Diesel	4WD	1499	96	131	08.18-	*
1.6 D (B 16 DTL (DV6FE))	Diesel	FWD	1560	55	75	06.18-04.21	*
1.6 D (B 16 DT (DV6FD))	Diesel	FWD	1560	73	99	06.18-04.20	*
COMBO Mk IV (K9) 06.18-				MPV (Large MPV-M1 Segment)			
1.2 (D 12 XHL (EB2ADT))	Gasolina	FWD	1199	81	110	06.18-	*
1.2 (F 12 XHT (EB2ADTS))	Gasolina	FWD	1199	96	131	07.19-	*
1.5 (D 15 DT (DV5RD))	Diesel	FWD	1499	75	102	06.18-	*
1.5 (D 15 DTH (DV5RC))	Diesel	FWD	1499	96	131	06.18-	*

LISTA DE APLICACIONES - BUYERS GUIDE

GRANDLAND X (A18) 06.17-					SUV (Compact Crossover CUV-C Segment)			
1.2 Turbo (75) (B 12 XHT (EB2DTS))	Gasolina	FWD	1199	96	131	06.17-	*	
1.2 Turbo (75) (D 12 XHT (EB2ADTS))	Gasolina	FWD	1199	96	131	06.17-	*	
1.6 Turbo (75) (D 16 XHT (EP6FADTXHP))	Gasolina	FWD	1598	133	181	12.19-	*	
1.6 Turbo Hybrid4 (75) (D 16 XHT (EP6FADTXHP))	Gasol./el éc.	4WD	1598	147	200	06.19-	*	
1.6 Turbo Hybrid (75) (D 16 XHT (EP6FADTXHP))	Gasol./el éc.	FWD	1598	165	224	12.19-	*	
1.6 Turbo Hybrid4 (75) (D 16 XHT (EP6FADTXHP))	Gasol./el éc.	4WD	1598	221	300	06.19-	*	
1.5 Turbo D (75) (D 15 DTH (DV5RC))	Diesel	FWD	1499	96	131	04.18-	*	
1.6 Turbo D(75) (B 16 DTH (DV6FC))	Diesel	FWD	1560	88	120	06.17-07.21	*	
2.0 D (75) (D 20 DTH (DW10FC))	Diesel	FWD	1997	130	177	10.17-07.21	*	