

LISTA DE APLICACIONES - BUYERS GUIDE

RB2166

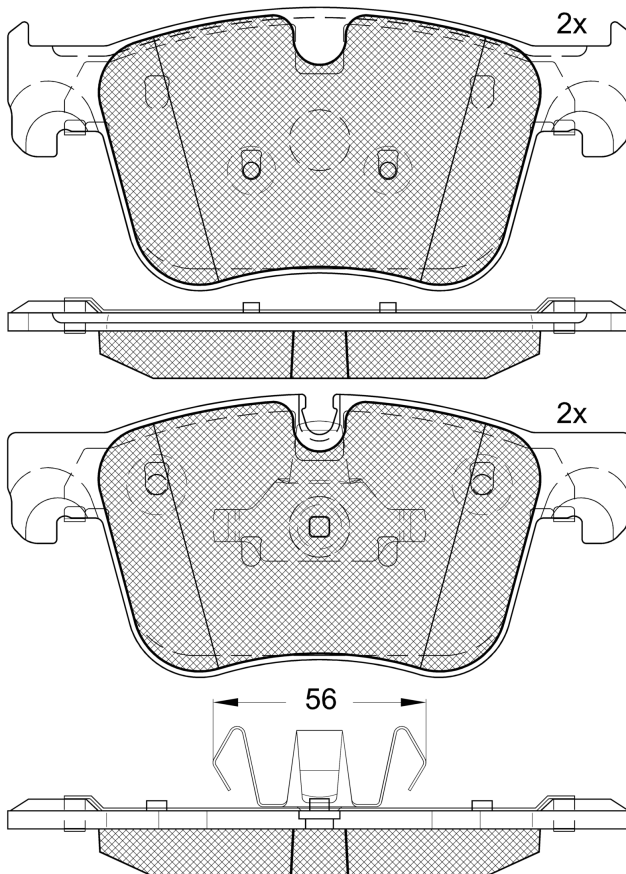


8 424073 139153

Qty: 300

Weight: 1.925

| O.E.M. | MAKE |
|---------------|---------|
| 16 098 985 80 | PEUGEOT |
| 16 124 123 80 | PEUGEOT |
| 16 197 911 80 | PEUGEOT |
| 16 478 636 80 | PEUGEOT |



RB2166



90R-02A0111/3843



Ate - Teves

155.2x70.4x17

155.2x70.5x17

| WVA |
|-------|
| 25833 |
| 25834 |

| FMSI |
|------------|
| D1974-9201 |

Sin Filas



| Trac. | CC | Kw | CV |
|-------|----|----|----|
|-------|----|----|----|



Front / Rear

CITROËN

BERLINGO III (ER_, EC_) 06.18-

MPV (Large MPV-M1 Segment)

| | | | | | | | |
|------------|--------|-----|------|----|----|--------|---|
| 1.6 HDI 92 | Diesel | FWD | 1560 | 68 | 92 | 09.18- | * |
|------------|--------|-----|------|----|----|--------|---|

C4 II (NC_) 01.13-

Sedán (Compact car-C Segment)

| | | | | | | | |
|--------------------------|----------|-----|------|-----|-----|-------------|---|
| 1.6 THP (5FE (EP6CDTMD)) | Gasolina | FWD | 1598 | 110 | 150 | 01.13- | * |
| 1.6 THP 165 | Gasolina | FWD | 1598 | 121 | 165 | 08.13-10.20 | * |
| 1.6 HDi (9HD (DV6C)) | Diesel | FWD | 1560 | 84 | 115 | 08.13- | * |
| 1.6 HDi (9HR (DV6C)) | Diesel | FWD | 1560 | 84 | 115 | 08.13- | * |

C4 II Grand Picasso (DA_, DE_) 06.13-

MPV (Large MPV-M1 Segment)

| | | | | | | | |
|-------------------------------------|---------------|-----|------|-----|-----|-------------|---|
| 1.2 THP 130 (HNY (EB2DTS)) | Gasolina | FWD | 1199 | 96 | 130 | 04.14- | * |
| 1.6 VTI 120 (5FS (EP6C)) | Gasolina | FWD | 1598 | 88 | 120 | 09.13- | * |
| 1.6 THP 150 (5FX (EP6DT)) | Gasolina | FWD | 1598 | 110 | 150 | 09.14- | * |
| 1.6 THP 155 (5FV (EP6CDT)) | Gasolina | FWD | 1598 | 115 | 156 | 09.13- | * |
| 1.6 THP 165 (5GZ (EP6FDT)) | Gasolina | FWD | 1598 | 121 | 165 | 07.14- | * |
| 2.0 BlueHDi 135 Hybrid | Diesel/el éc. | FWD | 1997 | 100 | 136 | 09.13- | * |
| 1.6 HDi 90 (9HP (DV6DTE)) | Diesel | FWD | 1560 | 68 | 92 | 09.13- | * |
| 1.6 BlueHDi 100 (BHY (DV6FD)) | Diesel | FWD | 1560 | 73 | 99 | 01.15-04.16 | * |
| 1.6 HDi / BlueHDi 115 (9HC (DV6C)) | Diesel | FWD | 1560 | 85 | 115 | 09.13-03.18 | * |
| 1.6 HDi / BlueHDi 115 (BHX (DV6FC)) | Diesel | FWD | 1560 | 85 | 115 | 09.13-03.18 | * |
| 1.6 BlueHDi 120 (BHZ (DV6FC)) | Diesel | FWD | 1560 | 88 | 120 | 07.14-12.18 | * |
| 2.0 BlueHDi 135 (AHV (DW10FD)) | Diesel | FWD | 1997 | 100 | 136 | 09.13- | * |
| 2.0 BlueHDi 135 (RHD (DW10CB)) | Diesel | FWD | 1997 | 100 | 136 | 09.13- | * |
| 2.0 BlueHDi 150 (AHR (DW10FD)) | Diesel | FWD | 1997 | 110 | 150 | 06.13- | * |
| 2.0 BlueHDi 150 (AHX (DW10FD)) | Diesel | FWD | 1997 | 110 | 150 | 06.13- | * |

LISTA DE APLICACIONES - BUYERS GUIDE

| C4 II PICASSO (DD_) 01.13- | | | | | Furgoneta/MPV (Compact MPV-M1 Segment) | | | |
|---|--|---------------|-----|------|---|-----|-------------|---|
| VTi 120 (DD5FS0) | | Gasolina | FWD | 1598 | 88 | 120 | 02.13- | * |
| THP 155 (DD5FV8) | | Gasolina | FWD | 1598 | 115 | 156 | 02.13- | * |
| HDi / e-HDi (DD9HP0, DD9HPT) | | Diesel | FWD | 1560 | 68 | 92 | 02.13- | * |
| e-HDi (DD9HC8, DD9HCT) | | Diesel | FWD | 1560 | 85 | 116 | 02.13- | * |
| BlueHDi 150 (DDAHXT) | | Diesel | FWD | 1997 | 110 | 150 | 09.13- | * |
| C4 II PICASSO 01.13- | | | | | MPV (Compact MPV-M1 Segment) | | | |
| 1.2 THP 110 (HNZ (EB2DT)) | | Gasolina | FWD | 1199 | 81 | 110 | 04.16- | * |
| 1.2 THP 130 (HNY (EB2DTS)) | | Gasolina | FWD | 1199 | 96 | 130 | 04.14- | * |
| 1.6 VTI 120 (5FS (EP6C)) | | Gasolina | FWD | 1598 | 88 | 120 | 02.13- | * |
| 1.6 THP 150 (5FX (EP6DT)) | | Gasolina | FWD | 1598 | 110 | 150 | 09.14- | * |
| 1.6 THP 155 (5FV (EP6CDT)) | | Gasolina | FWD | 1598 | 115 | 156 | 02.13- | * |
| 1.6 THP 165 (5GZ (EP6FDT)) | | Gasolina | FWD | 1598 | 121 | 165 | 07.14- | * |
| 2.0 i 16V | | Gasolina | FWD | 1997 | 105 | 143 | 06.13-12.14 | * |
| 2.0 BlueHDi 135 Hybrid | | Diesel/el éc. | FWD | 1997 | 100 | 136 | 09.13- | * |
| 1.6 HDi 90 (9HP (DV6DTE)) | | Diesel | FWD | 1560 | 68 | 92 | 02.13- | * |
| 1.6 BlueHDi 100 (BHY (DV6FD)) | | Diesel | FWD | 1560 | 73 | 99 | 12.14-12.18 | * |
| 1.6 HDi / BlueHDi 115 (9HC (DV6C)) | | Diesel | FWD | 1560 | 85 | 115 | 02.13-03.18 | * |
| 1.6 HDi / BlueHDi 115 (BHX (DV6FC)) | | Diesel | FWD | 1560 | 85 | 115 | 02.13-03.18 | * |
| 1.6 BlueHDi 120 (BHZ (DV6FC)) | | Diesel | FWD | 1560 | 88 | 120 | 07.14-12.18 | * |
| 2.0 BlueHDi 135 (AHV (DW10FD)) | | Diesel | FWD | 1997 | 100 | 136 | 09.13- | * |
| 2.0 BlueHDi 135 (RHD (DW10CB)) | | Diesel | FWD | 1997 | 100 | 136 | 09.13- | * |
| 2.0 BlueHDi 150 (AHE (DW10FD)) | | Diesel | FWD | 1997 | 110 | 150 | 09.13- | * |
| 2.0 BlueHDi 150 (AHR (DW10FD)) | | Diesel | FWD | 1997 | 110 | 150 | 09.13- | * |
| 2.0 BlueHDi 150 (AHX (DW10FD)) | | Diesel | FWD | 1997 | 110 | 150 | 09.13- | * |
| C4 SPACETOURER (3D_) 04.18- | | | | | MPV (Compact MPV-M1 Segment) | | | |
| 1.2 PureTech 110 (HNX (EB2DTSD)) | | Gasolina | FWD | 1199 | 81 | 110 | 04.18- | * |
| 1.2 PureTech 130 (HNY (EB2DTS)) | | Gasolina | FWD | 1199 | 96 | 131 | 04.18- | * |
| 1.6 THP 165 (5GZ (EP6FDT)) | | Gasolina | FWD | 1598 | 121 | 165 | 04.18- | * |
| 1.5 BlueHDi 130 (YHZ (DV5RC)) | | Diesel | FWD | 1499 | 96 | 131 | 05.18- | * |
| 1.6 BlueHDi 100 (BHY (DV6FD)) | | Diesel | FWD | 1560 | 73 | 99 | 04.18-04.19 | * |
| 1.6 BlueHDi 120 (BHZ (DV6FC)) | | Diesel | FWD | 1560 | 88 | 120 | 04.18-04.19 | * |
| 2.0 BlueHDi 150 (AHX (DW10FD)) | | Diesel | FWD | 1997 | 110 | 150 | 04.18- | * |
| 2.0 BlueHDi 160 (EHY (DW10FCC)) | | Diesel | FWD | 1997 | 120 | 163 | 04.18- | * |
| C4 SPACETOURER Van (3D_) 04.18- | | | | | Furgoneta/MPV (Compact car-C Segment) | | | |
| PureTech 130 (HNY (EB2DTS)) | | Gasolina | FWD | 1199 | 96 | 131 | 05.19- | * |
| BlueHDi 130 (YHZ (DV5RC)) | | Diesel | FWD | 1499 | 96 | 131 | 05.19- | * |
| BlueHDi 120 (BHZ (DV6FC)) | | Diesel | FWD | 1560 | 88 | 120 | 05.19- | * |
| GRAND C4 SPACETOURER Van (3A_, 3E_) 04.18- | | | | | Furgoneta/MPV (Compact car-C Segment) | | | |
| PureTech 130 (HNY (EB2DTS)) | | Gasolina | FWD | 1199 | 96 | 131 | 05.19- | * |
| BlueHDi 130 (YHZ (DV5RC)) | | Diesel | FWD | 1499 | 96 | 131 | 05.19- | * |
| BlueHDi 160 (EHY (DW10FCC)) | | Diesel | FWD | 1997 | 120 | 163 | 05.19- | * |
| GRAND C4 SPACETOURER (3A_, 3E_) 04.18- | | | | | MPV (Large MPV-M1 Segment) | | | |
| 1.2 PureTech 130 (HNS (EB2ADTS)) | | Gasolina | FWD | 1199 | 96 | 131 | 04.18- | * |
| 1.2 PureTech 130 (HNY (EB2DTS)) | | Gasolina | FWD | 1199 | 96 | 131 | 04.18- | * |
| 1.6 THP 165 (5GZ (EP6FDT)) | | Gasolina | FWD | 1598 | 121 | 165 | 04.18- | * |
| 1.6 PureTech 180 (5GF (EP6FADTXD)) | | Gasolina | FWD | 1598 | 133 | 181 | 04.18- | * |
| 1.5 BlueHDi 130 (YHZ (DV5RC)) | | Diesel | FWD | 1499 | 96 | 131 | 05.18- | * |

LISTA DE APLICACIONES - BUYERS GUIDE

| | | | | | | | | |
|---|--|---------------|-----|------|--|-----|-------------|---|
| 1.6 BlueHDi 100 (BHY (DV6FD)) | | Diesel | FWD | 1560 | 73 | 99 | 04.18-04.19 | * |
| 1.6 HDi 115 (9HC (DV6C)) | | Diesel | FWD | 1560 | 85 | 116 | 04.18- | * |
| 1.6 BlueHDi 120 (BHZ (DV6FC)) | | Diesel | FWD | 1560 | 88 | 120 | 04.18-08.18 | * |
| 2.0 BlueHDi 150 (AHR (DW10FD)) | | Diesel | FWD | 1997 | 110 | 150 | 04.18- | * |
| 2.0 BlueHDi 150 (AHX (DW10FD)) | | Diesel | FWD | 1997 | 110 | 150 | 04.18- | * |
| 2.0 BlueHDi 160 (EHY (DW10FCC)) | | Diesel | FWD | 1997 | 120 | 163 | 04.18- | * |
| CITROËN (DF-PSA) | | | | | | | | |
| C5 AIRCROSS 09.17- | | | | | SUV (Large family car-D Segment) | | | |
| 350 THP (5G02 10UF01 (EP6FDTM)) | | Gasolina | FWD | 1598 | 123 | 167 | 09.17- | * |
| 360 THP (5H04 (EP6FDTXD)) | | Gasolina | FWD | 1598 | 125 | 170 | 04.19- | * |
| OPEL | | | | | | | | |
| GRANDLAND / GRANDLAND X (A18, P1UO) 06.17- | | | | | SUV (Compact Crossover CUV-C Segment) | | | |
| 1.2 | | Gasolina | FWD | 1199 | 81 | 110 | 06.17-07.21 | * |
| PEUGEOT | | | | | | | | |
| 308 II (LB_, LP_, LW_, LH_, L3_) 09.13- | | | | | [CAMBIADO]:Fastback (Compact car-C Segment) | | | |
| 1.2 VTi 72 (HMZ (EB2F)) | | Gasolina | FWD | 1199 | 60 | 82 | 09.13-06.21 | * |
| 1.2 THP 110 (HNP (EB2ADT)) | | Gasolina | FWD | 1199 | 81 | 110 | 11.13-06.21 | * |
| 1.2 THP 110 (HNV (EB2DTM)) | | Gasolina | FWD | 1199 | 81 | 110 | 11.13-06.21 | * |
| 1.2 THP 110 (HNZ (EB2DT)) | | Gasolina | FWD | 1199 | 81 | 110 | 11.13-06.21 | * |
| 1.2 THP 130 (HNY (EB2DTS)) | | Gasolina | FWD | 1199 | 96 | 131 | 11.13-06.21 | * |
| 1.6 VTi 115 (NFP (EC5)) | | Gasolina | FWD | 1587 | 85 | 115 | 05.15-06.21 | * |
| 1.6 Flex | | Gasolina | FWD | 1587 | 90 | 122 | 12.14- | * |
| 1.6 | | Gasolina | FWD | 1587 | 121 | 165 | 12.14- | * |
| 1.6 VTi | | Gasolina | FWD | 1598 | 85 | 115 | 03.14- | * |
| 1.6 THP 125 (5FA (EP6CDT)) | | Gasolina | FWD | 1598 | 92 | 125 | 09.13-06.21 | * |
| 1.6 THP 150 (5GX (EP6FDTMD)) | | Gasolina | FWD | 1598 | 110 | 150 | 03.14-06.21 | * |
| 1.6 THP (5GX (EP6FDTMD)) | | Gasolina | FWD | 1598 | 112 | 152 | 09.13-06.21 | * |
| 1.6 THP (5FV (EP6CDT)) | | Gasolina | FWD | 1598 | 115 | 156 | 09.13-06.21 | * |
| 1.6 THP 163 (5FM (EP6CDTM)) | | Gasolina | FWD | 1598 | 120 | 163 | 06.14-06.21 | * |
| 1.6 GT 205 (5GT (EP6FDTX)) | | Gasolina | FWD | 1598 | 151 | 205 | 06.14-06.21 | * |
| 1.6 PureTech 225 (GGR (EP6FADTX)) | | Gasolina | FWD | 1598 | 165 | 225 | 01.18-06.21 | * |
| 1.6 Flex | | Gasol./Etanol | FWD | 1598 | 127 | 173 | 11.15-02.19 | * |
| 1.5 BlueHDi 100 (YHY (DV5RD)) | | Diesel | FWD | 1499 | 75 | 102 | 05.18-06.21 | * |
| 1.5 BlueHDi 130 (YHZ (DV5RC)) | | Diesel | FWD | 1499 | 96 | 131 | 06.17-06.21 | * |
| 1.6 HDi (9HP (DV6DTE)) | | Diesel | FWD | 1560 | 68 | 92 | 09.13-06.21 | * |
| 1.6 HDi 100 (BHY (DV6FD)) | | Diesel | FWD | 1560 | 73 | 99 | 04.14-06.21 | * |
| 1.6 HDi / BlueHDi 115 (9HC (DV6C)) | | Diesel | FWD | 1560 | 85 | 115 | 09.13-06.21 | * |
| 1.6 HDi / BlueHDi 115 (BHZ (DV6FC)) | | Diesel | FWD | 1560 | 85 | 115 | 09.13-06.21 | * |
| 1.6 BlueHDi 120 (BHZ (DV6FC)) | | Diesel | FWD | 1560 | 88 | 120 | 11.13-06.21 | * |
| 2.0 BlueHDi 150 (AHX (DW10FCD)) | | Diesel | FWD | 1997 | 110 | 150 | 11.13-06.21 | * |
| 2.0 BlueHDi 150 (AHX (DW10FD)) | | Diesel | FWD | 1997 | 110 | 150 | 11.13-06.21 | * |
| 2.0 GT BlueHDi 180 (EHZ (DW10FC)) | | Diesel | FWD | 1997 | 130 | 177 | 06.17-06.21 | * |
| 2.0 GT BlueHDi 180 (AHW (DW10FC)) | | Diesel | FWD | 1997 | 132 | 179 | 06.17-06.21 | * |
| 2.0 GT BlueHDi 180 (AHW (DW10FC)) | | Diesel | FWD | 1997 | 133 | 181 | 06.14-06.21 | * |
| 308 II (LB_) 03.15- | | | | | Furgón/hatchback (Compact car-C Segment) | | | |
| 1.5 BlueHDi 130 (LBYHZP) (YHZ (DV5RC)) | | Diesel | FWD | 1499 | 96 | 131 | 06.17-06.21 | * |
| 1.6 e-HDi 115 (LB9HCG) (9HC (DV6C)) | | Diesel | FWD | 1560 | 85 | 116 | 03.15-06.21 | * |
| 1.6 BlueHDi 120 (LBBHZM) (BHX (DV6FC)) | | Diesel | FWD | 1560 | 88 | 120 | 03.15-06.21 | * |

LISTA DE APLICACIONES - BUYERS GUIDE

| | | | | | | | | |
|--|--|-----------|-----|------|--|-----|-------------|---|
| 308 II SW (LC_, LJ_, LR_, LX_, L4_) 03.14- | | | | | [CAMBIADO]:Break (Compact car-C Segment) | | | |
| 1.2 THP 110 (HNP (EB2ADT)) | | Gasolina | FWD | 1199 | 81 | 110 | 03.14-06.21 | * |
| 1.2 THP 110 (HNV (EB2DTM)) | | Gasolina | FWD | 1199 | 81 | 110 | 03.14-06.21 | * |
| 1.2 THP 110 (HNZ (EB2DT)) | | Gasolina | FWD | 1199 | 81 | 110 | 03.14-06.21 | * |
| 1.2 THP 130 (HNY (EB2DTS)) | | Gasolina | FWD | 1199 | 96 | 131 | 03.14-06.21 | * |
| 1.6 VTi (LWNFPA) (NFP (EC5)) | | Gasolina | FWD | 1587 | 85 | 115 | 03.14-06.21 | * |
| 1.6 THP 125 (5FA (EP6CDT)) | | Gasolina | FWD | 1598 | 92 | 125 | 03.14-06.21 | * |
| 1.6 THP 150 (L45GXA) (5GX (EP6FDTMD)) | | Gasolina | FWD | 1598 | 110 | 150 | 03.14-06.21 | * |
| 1.6 THP 155 (5FV (EP6CDT)) | | Gasolina | FWD | 1598 | 115 | 156 | 03.14-06.21 | * |
| 1.6 THP 163 | | Gasolina | FWD | 1598 | 120 | 163 | 06.14- | * |
| 1.6 GT 205 (5GT (EP6FDTX)) | | Gasolina | FWD | 1598 | 151 | 205 | 02.15-06.21 | * |
| 1.6 PureTech 225 (L45GGR) (5GG (EP6FADTX)) | | Gasolina | FWD | 1598 | 165 | 225 | 01.18-06.21 | * |
| 1.5 BlueHDi 100 (YHY (DV5RD)) | | Diesel | FWD | 1499 | 75 | 102 | 04.18-06.21 | * |
| 1.5 BlueHDi 130 (YHZ (DV5RC)) | | Diesel | FWD | 1499 | 96 | 131 | 06.17-06.21 | * |
| 1.6 HDi 92 (9HP (DV6DTE)) | | Diesel | FWD | 1560 | 68 | 92 | 03.14-06.21 | * |
| 1.6 BlueHDi 100 (BHY (DV6FD)) | | Diesel | FWD | 1560 | 73 | 99 | 04.14-06.21 | * |
| 1.6 HDi / BlueHDi 115 (LCBHXM, LCBHXT) (9HC (DV6C)) | | Diesel | FWD | 1560 | 85 | 115 | 03.14-06.21 | * |
| 1.6 HDi / BlueHDi 115 (LCBHXM, LCBHXT) (BHZ (DV6FC)) | | Diesel | FWD | 1560 | 85 | 115 | 03.14-06.21 | * |
| 1.6 BlueHDi 120 (BHZ (DV6FC)) | | Diesel | FWD | 1560 | 88 | 120 | 03.14-06.21 | * |
| 2.0 BlueHDi 150 (AHX (DW10FCD)) | | Diesel | FWD | 1997 | 110 | 150 | 03.14-06.21 | * |
| 2.0 GT BlueHDi 180 (EHZ (DW10FC)) | | Diesel | FWD | 1997 | 130 | 177 | 06.17-06.21 | * |
| 2.0 GT BlueHDi 180 (AHW (DW10FC)) | | Diesel | FWD | 1997 | 132 | 179 | 06.17-06.21 | * |
| 2.0 GT HDi 180 / BlueHDi 180 (AHW (DW10FC)) | | Diesel | FWD | 1997 | 133 | 181 | 06.14-06.21 | * |
| 308 II SW (LC_) 04.14- | | | | | [CAMBIADO]:Furgón/Break (Compact car-C Segment) | | | |
| 1.5 BlueHDi 130 (LCYHZZ) (YHZ (DV5RC)) | | Diesel | FWD | 1499 | 96 | 131 | 06.17-06.21 | * |
| 1.6 BlueHDi (BHY (DV6FD)) | | Diesel | FWD | 1560 | 73 | 99 | 04.14-06.21 | * |
| 308 SW (4E_, 4H_) 09.07- | | | | | [CAMBIADO]:Break (Compact car-C Segment) | | | |
| 1.6 HDi (9HD (DV6C)) | | Diesel | FWD | 1560 | 84 | 114 | 03.13-10.14 | * |
| PEUGEOT (DF-PSA) | | | | | | | | |
| 308 09.16- | | | | | Sedán (Compact car-C Segment) | | | |
| 350 THP | | Gasolina | FWD | 1598 | 123 | 167 | 09.16- | * |
| 308S 04.15- | | | | | [CAMBIADO]:Fastback (Compact car-C Segment) | | | |
| 1.6 THP | | Gasolina | FWD | 1598 | 123 | 167 | 04.15- | * |
| 4008 11.16- | | | | | SUV (Mini SUV-J Segment) | | | |
| 1.6 (5G02 10UF01 (EP6FDTM)) | | Gasolina | FWD | 1598 | 123 | 167 | 11.16- | * |
| 360 THP (5G04 (EP6FDTXD), 5G06(EP6FADTXD)) | | Gasolina | FWD | 1598 | 125 | 170 | 07.19- | * |
| 408 II 08.14- | | | | | Sedán (Compact car-C Segment) | | | |
| 1.6 | | Gasolina | FWD | 1598 | 123 | 167 | 08.14- | * |
| 1.6 360 THP (5G06 (EP6FADTXD)) | | Gasolina | FWD | 1598 | 125 | 170 | 06.19- | * |
| TOYOTA | | | | | | | | |
| PROACE II CITY (BPZ_) 10.19- | | | | | Furgoneta/MPV (LCVs-N1 Segment) | | | |
| Electric (BPZZ) | | Eléctrico | FWD | | 100 | 136 | 03.24- | * |
| 1.6 D-4D 92 (BPZQ) | | Diesel | FWD | 1560 | 68 | 92 | 01.22- | * |
| PROACE II CITY VERSO (BKY_) 10.19- | | | | | MPV (Large MPV-M1 Segment) | | | |
| Electric (BKYZ) | | Eléctrico | FWD | | 100 | 136 | 03.24- | * |
| 1.6 D-4D 92 (BKYQ) | | Diesel | FWD | 1560 | 68 | 92 | 01.22- | * |

LISTA DE APLICACIONES - BUYERS GUIDE