

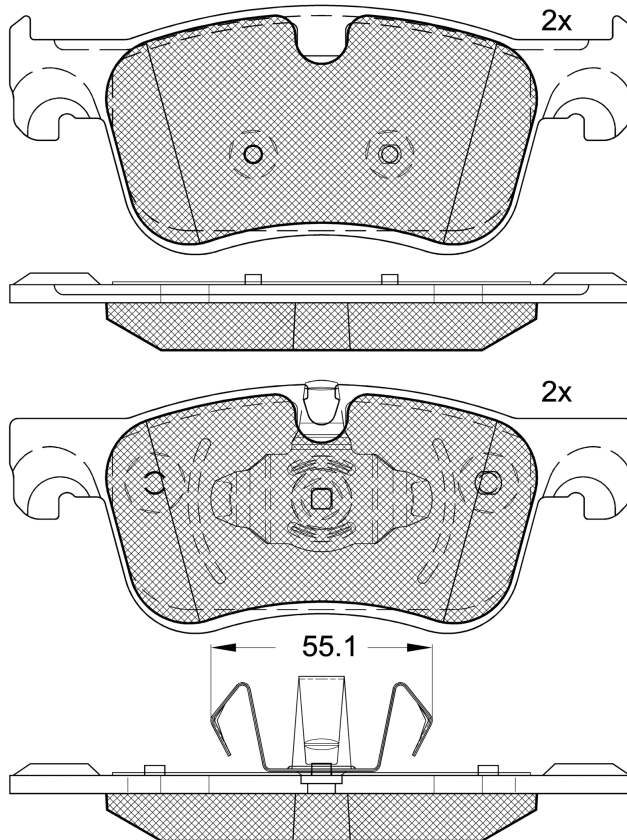
# LISTA DE APLICACIONES - BUYERS GUIDE

## RB2158



Qty: 300

Weight: 1.665



## RB2158

**E 9** 90R-02A0111/3837



Ate - Teves

155.2x61.9x17

155.2x62x17

O.E.M.	MAKE
16 098 983 80	CITROËN
16 197 910 80	CITROËN
16 478 530 80	PEUGEOT
16 781 685 80	TOYOTA
1647873580	CITROËN
93 488 643	OPEL
SU001-A8946	TOYOTA
SU001-B3589	TOYOTA

WVA	FMSI
25836	D2277-9515
25837	
26612	
26613	

Sin Filas



Trac.	CC	Kw	CV		
					Front / Rear

### CITROËN

BERLINGO II (B9) 04.08-					Furgoneta/MPV (LCVs-N1 Segment)			
PureTech 110 (HNZ (EB2DT))	Gasolina	FWD	1199	81	110	01.18-12.18	*	
BERLINGO III (K9) 06.18-					Furgoneta/MPV (LCVs-N1 Segment)			
PureTech 110 (HNP (EB2ADT))	Gasolina	FWD	1199	81	110	06.18-	*	
PureTech 130 (HNS (EB2ADTS))	Gasolina	FWD	1199	96	131	10.19-	*	
1.6 16V Flex	Gasol./Etanol	FWD	1587	90	122	10.18-	*	
è-BERLINGO	Eléctrico	FWD		100	136	07.21-	*	
è-BERLINGO	Eléctrico	FWD		100	136	11.23-	*	
1.5 BlueHDi 75 (YHW (DV5RE))	Diesel	FWD	1499	55	75	10.19-	*	
1.5 BlueHDi 100 (YHY (DV5RD))	Diesel	FWD	1499	75	102	06.18-	*	
1.5 BlueHDi 130 (YHZ (DV5RC))	Diesel	FWD	1499	96	131	06.18-	*	
1.5 BlueHDi 130 4x4 (YHZ (DV5RC))	Diesel	4WD	1499	96	131	06.18-	*	
1.6 BlueHDi 75 (BHW (DV6FE))	Diesel	FWD	1560	55	75	06.18-04.20	*	
1.6 BlueHDi 100 (BHY (DV6FD))	Diesel	FWD	1560	73	99	06.18-04.21	*	
BERLINGO III (ER_, EC_) 06.18-					MPV (Large MPV-M1 Segment)			
1.2 PureTech 110 (HNP (EB2ADT))	Gasolina	FWD	1199	81	110	06.18-	*	
1.2 PureTech 130 (HNS (EB2ADTS))	Gasolina	FWD	1199	96	131	07.19-	*	
è-BERLINGO	Eléctrico	FWD		100	136	07.21-	*	
è-BERLINGO	Eléctrico	FWD		100	136	11.23-	*	
1.5 BlueHDi 75 (YHW (DV5RE))	Diesel	FWD	1499	56	76	06.18-	*	
1.5 BlueHDi 100 (YHY (DV5RD))	Diesel	FWD	1499	75	102	06.18-	*	
1.5 BlueHDi 130 (ECYHZJ, ECYHZR) (YHZ (DV5RC))	Diesel	FWD	1499	96	131	06.18-	*	

# LISTA DE APLICACIONES - BUYERS GUIDE

1.6 HDI 92		Diesel	FWD	1560	68	92	09.18-	*
1.6 BlueHDi 100		Diesel	FWD	1560	73	99	01.19-	*
<b>C4 II (NC_) 01.13-</b>				<b>Sedán (Compact car-C Segment)</b>				
1.6 THP (5FE (EP6CDTMD))		Gasolina	FWD	1598	110	150	01.13-	*
1.6 THP 165		Gasolina	FWD	1598	121	165	08.13-10.20	*
1.6 HDi (9HD (DV6C))		Diesel	FWD	1560	84	115	08.13-	*
1.6 HDi (9HR (DV6C))		Diesel	FWD	1560	84	115	08.13-	*
<b>C4 II Grand Picasso (DA_, DE_) 06.13-</b>				<b>MPV (Large MPV-M1 Segment)</b>				
1.2 THP 130 (HNY (EB2DTS))		Gasolina	FWD	1199	96	130	04.14-	*
1.6 VTi 120 (5FS (EP6C))		Gasolina	FWD	1598	88	120	09.13-	*
1.6 THP 150 (5FX (EP6DT))		Gasolina	FWD	1598	110	150	09.14-	*
1.6 THP 155 (5FV (EP6CDT))		Gasolina	FWD	1598	115	156	09.13-	*
1.6 THP 165 (5GZ (EP6FDT))		Gasolina	FWD	1598	121	165	07.14-	*
2.0 BlueHDi 135 Hybrid		Diesel/el éc.	FWD	1997	100	136	09.13-	*
1.6 HDi 90 (9HP (DV6DTE))		Diesel	FWD	1560	68	92	09.13-	*
1.6 BlueHDi 100 (BHY (DV6FD))		Diesel	FWD	1560	73	99	01.15-04.16	*
1.6 HDi / BlueHDi 115 (9HC (DV6C))		Diesel	FWD	1560	85	115	09.13-03.18	*
1.6 HDi / BlueHDi 115 (BHX (DV6FC))		Diesel	FWD	1560	85	115	09.13-03.18	*
1.6 BlueHDi 120 (BHZ (DV6FC))		Diesel	FWD	1560	88	120	07.14-12.18	*
2.0 BlueHDi 135 (AHV (DW10FD))		Diesel	FWD	1997	100	136	09.13-	*
2.0 BlueHDi 135 (RHD (DW10CB))		Diesel	FWD	1997	100	136	09.13-	*
2.0 BlueHDi 150 (AHR (DW10FD))		Diesel	FWD	1997	110	150	06.13-	*
2.0 BlueHDi 150 (AHX (DW10FD))		Diesel	FWD	1997	110	150	06.13-	*
<b>C4 II PICASSO (DD_) 01.13-</b>				<b>Furgoneta/MPV (Compact MPV-M1 Segment)</b>				
VTi 120 (DD5FS0)		Gasolina	FWD	1598	88	120	02.13-	*
THP 155 (DD5FV8)		Gasolina	FWD	1598	115	156	02.13-	*
HDi / e-HDi (DD9HP0, DD9HPT)		Diesel	FWD	1560	68	92	02.13-	*
e-HDi (DD9HC8, DD9HCT)		Diesel	FWD	1560	85	116	02.13-	*
BlueHDi 150 (DDAHXT)		Diesel	FWD	1997	110	150	09.13-	*
<b>C4 II PICASSO 01.13-</b>				<b>MPV (Compact MPV-M1 Segment)</b>				
1.2 THP 110 (HNZ (EB2DT))		Gasolina	FWD	1199	81	110	04.16-	*
1.2 THP 130 (HNY (EB2DTS))		Gasolina	FWD	1199	96	130	04.14-	*
1.6 VTi 120 (5FS (EP6C))		Gasolina	FWD	1598	88	120	02.13-	*
1.6 THP 150 (5FX (EP6DT))		Gasolina	FWD	1598	110	150	09.14-	*
1.6 THP 155 (5FV (EP6CDT))		Gasolina	FWD	1598	115	156	02.13-	*
1.6 THP 165 (5GZ (EP6FDT))		Gasolina	FWD	1598	121	165	07.14-	*
2.0 i 16V		Gasolina	FWD	1997	105	143	06.13-12.14	*
2.0 BlueHDi 135 Hybrid		Diesel/el éc.	FWD	1997	100	136	09.13-	*
1.6 HDi 90 (9HP (DV6DTE))		Diesel	FWD	1560	68	92	02.13-	*
1.6 BlueHDi 100 (BHY (DV6FD))		Diesel	FWD	1560	73	99	12.14-12.18	*
1.6 HDi / BlueHDi 115 (9HC (DV6C))		Diesel	FWD	1560	85	115	02.13-03.18	*
1.6 HDi / BlueHDi 115 (BHX (DV6FC))		Diesel	FWD	1560	85	115	02.13-03.18	*
1.6 BlueHDi 120 (BHZ (DV6FC))		Diesel	FWD	1560	88	120	07.14-12.18	*
2.0 BlueHDi 135 (AHV (DW10FD))		Diesel	FWD	1997	100	136	09.13-	*
2.0 BlueHDi 135 (RHD (DW10CB))		Diesel	FWD	1997	100	136	09.13-	*
2.0 BlueHDi 150 (AHE (DW10FD))		Diesel	FWD	1997	110	150	09.13-	*
2.0 BlueHDi 150 (AHR (DW10FD))		Diesel	FWD	1997	110	150	09.13-	*
2.0 BlueHDi 150 (AHX (DW10FD))		Diesel	FWD	1997	110	150	09.13-	*

# LISTA DE APLICACIONES - BUYERS GUIDE

<b>C4 SPACETOURER (3D_) 04.18-</b>					<b>MPV (Compact MPV-M1 Segment)</b>			
1.2 PureTech 110 (HNX (EB2DTS))		Gasolina	FWD	1199	81	110	04.18-	*
1.2 PureTech 130 (HNY (EB2DTS))		Gasolina	FWD	1199	96	131	04.18-	*
1.6 THP 165 (5GZ (EP6FDT))		Gasolina	FWD	1598	121	165	04.18-	*
1.5 BlueHDi 130 (YHZ (DV5RC))		Diesel	FWD	1499	96	131	05.18-	*
1.6 BlueHDi 100 (BHY (DV6FD))		Diesel	FWD	1560	73	99	04.18-04.19	*
1.6 BlueHDi 120 (BHZ (DV6FC))		Diesel	FWD	1560	88	120	04.18-04.19	*
2.0 BlueHDi 150 (AHX (DW10FD))		Diesel	FWD	1997	110	150	04.18-	*
2.0 BlueHDi 160 (EHY (DW10FCC))		Diesel	FWD	1997	120	163	04.18-	*
<b>C4 SPACETOURER Van (3D_) 04.18-</b>					<b>Furgoneta/MPV (Compact car-C Segment)</b>			
PureTech 130 (HNY (EB2DTS))		Gasolina	FWD	1199	96	131	05.19-	*
BlueHDi 130 (YHZ (DV5RC))		Diesel	FWD	1499	96	131	05.19-	*
BlueHDi 120 (BHZ (DV6FC))		Diesel	FWD	1560	88	120	05.19-	*
<b>GRAND C4 SPACETOURER Van (3A_, 3E_) 04.18-</b>					<b>Furgoneta/MPV (Compact car-C Segment)</b>			
PureTech 130 (HNY (EB2DTS))		Gasolina	FWD	1199	96	131	05.19-	*
BlueHDi 130 (YHZ (DV5RC))		Diesel	FWD	1499	96	131	05.19-	*
BlueHDi 160 (EHY (DW10FCC))		Diesel	FWD	1997	120	163	05.19-	*
<b>GRAND C4 SPACETOURER (3A_, 3E_) 04.18-</b>					<b>MPV (Large MPV-M1 Segment)</b>			
1.2 PureTech 130 (HNS (EB2ADTS))		Gasolina	FWD	1199	96	131	04.18-	*
1.2 PureTech 130 (HNY (EB2DTS))		Gasolina	FWD	1199	96	131	04.18-	*
1.6 THP 165 (5GX (EP6FDTMD))		Gasolina	FWD	1598	110	150	04.18-	*
1.6 THP 165 (5GZ (EP6FDT))		Gasolina	FWD	1598	121	165	04.18-	*
1.6 PureTech 180 (5GF (EP6FADTXD))		Gasolina	FWD	1598	133	181	04.18-	*
1.5 BlueHDi 130 (YHZ (DV5RC))		Diesel	FWD	1499	96	131	05.18-	*
1.6 BlueHDi 100 (BHY (DV6FD))		Diesel	FWD	1560	73	99	04.18-04.19	*
1.6 HDi 115 (9HC (DV6C))		Diesel	FWD	1560	85	116	04.18-	*
1.6 BlueHDi 120 (BHZ (DV6FC))		Diesel	FWD	1560	88	120	04.18-08.18	*
2.0 BlueHDi 150 (AHR (DW10FD))		Diesel	FWD	1997	110	150	04.18-	*
2.0 BlueHDi 150 (AHX (DW10FD))		Diesel	FWD	1997	110	150	04.18-	*
2.0 BlueHDi 160 (EHY (DW10FCC))		Diesel	FWD	1997	120	163	04.18-	*
<b>OPEL</b>								
<b>COMBO E (K9) 06.18-</b>					<b>Furgoneta/MPV (Large MPV-M1 Segment)</b>			
1.2 (D 12 XHL (EB2ADT))		Gasolina	FWD	1199	81	110	02.19-	*
1.2 (F 12 XHL)		Gasolina	FWD	1199	81	110	02.19-	*
1.2 (F 12 XHT (EB2ADTS))		Gasolina	FWD	1199	96	131	09.19-	*
1.5 D (D 15 DTL (DV5RE))		Diesel	FWD	1499	56	76	08.18-	*
1.5 D (D 15 DT (DV5RD))		Diesel	FWD	1499	75	102	08.18-	*
1.5 D (D 15 DTH (DV5RC))		Diesel	FWD	1499	96	131	08.18-	*
1.5 D A las 4 ruedas (D 15 DTH (DV5RC))		Diesel	4WD	1499	96	131	08.18-	*
1.6 D (B 16 DTL (DV6FE))		Diesel	FWD	1560	55	75	06.18-04.21	*
1.6 D (B 16 DT (DV6FD))		Diesel	FWD	1560	73	99	06.18-04.20	*
<b>COMBO E Tour / Life (K9) 06.18-</b>					<b>MPV (Large MPV-M1 Segment)</b>			
1.2 (D 12 XHL (EB2ADT))		Gasolina	FWD	1199	81	110	06.18-	*
1.2 (F 12 XHL)		Gasolina	FWD	1199	81	110	06.18-	*
1.2 (F 12 XHT (EB2ADTS))		Gasolina	FWD	1199	96	131	07.19-	*
Combo-e		Eléctrico	FWD		100	136	06.21-10.23	*
Combo-e		Eléctrico	FWD		100	136	11.23-	*
1.5 (D 15 DTL (DV5RE))		Diesel	FWD	1499	56	76	06.18-	*

# LISTA DE APLICACIONES - BUYERS GUIDE

1.5 (D 15 DT (DV5RD))		Diesel	FWD	1499	75	102	06.18-	*
1.5 (D 15 DTH (DV5RC))		Diesel	FWD	1499	96	131	06.18-	*
1.6		Diesel	FWD	1560	68	92	09.19-	*

## PEUGEOT

<b>PARTNER III (K9) 09.18-</b>				<b>Furgoneta/MPV (LCVs-N1 Segment)</b>				
1.2 PureTech 110 (HNP (EB2ADT))		Gasolina	FWD	1199	81	110	01.19-	*
1.2 PureTech 130 (HNS (EB2ADTS))		Gasolina	FWD	1199	96	131	07.19-	*
1.6 16V Flex		Gasol./Etanol	FWD	1587	90	122	10.18-	*
e-Partner		Eléctrico	FWD		100	136	07.21-	*
e-Partner		Eléctrico	FWD		100	136	11.23-	*
1.5 BlueHDi 75 (YHW (DV5RE))		Diesel	FWD	1499	55	75	07.19-	*
1.5 BlueHDi 100 (YHY (DV5RD))		Diesel	FWD	1499	75	102	07.19-	*
1.5 BlueHDi 130 (YHZ (DV5RC))		Diesel	FWD	1499	96	131	09.18-	*
1.5 BlueHDi 130 4x4 (YHZ (DV5RC))		Diesel	4WD	1499	96	131	09.18-	*
1.6 BlueHDi 75 (BHW (DV6FE))		Diesel	FWD	1560	55	75	09.18-	*
1.6 HDI 92		Diesel	FWD	1560	68	92	09.18-	*
1.6 BlueHDi 100 (BHY (DV6FD))		Diesel	FWD	1560	73	99	09.18-	*

<b>RIFTER (K9) 09.18-</b>				<b>MPV (Large MPV-M1 Segment)</b>				
1.2 PureTech 110 (HNP (EB2ADT))		Gasolina	FWD	1199	81	110	09.18-	*
1.2 PureTech 130 (HNS (EB2ADTS))		Gasolina	FWD	1199	96	131	07.19-	*
e-Rifter		Eléctrico	FWD		100	136	07.21-10.23	*
e-Rifter		Eléctrico	FWD		100	136	11.23-	*
1.5 BlueHDi 75 (ECYHW) (YHW (DV5RE))		Diesel	FWD	1499	55	75	09.18-	*
1.5 BlueHDi 100 (YHY (DV5RD))		Diesel	FWD	1499	75	102	08.18-	*
1.5 BlueHDi 130 (YHZ (DV5RC))		Diesel	FWD	1499	96	131	09.18-	*
1.6 HDi 75 / BlueHDi 75 (9HN (DV6ETED))		Diesel	FWD	1560	55	75	09.18-	*
1.6 HDi 75 / BlueHDi 75 (BHW (DV6FE))		Diesel	FWD	1560	55	75	09.18-	*
1.6 HDi 90		Diesel	FWD	1560	66	90	09.18-	*
1.6 HDI 92 (9HP (DV6DTED))		Diesel	FWD	1560	68	92	09.18-	*
1.6 BlueHDi 100 (BHY (DV6FD))		Diesel	FWD	1560	73	99	09.18-	*

## TOYOTA

<b>PROACE II CITY VERSO (BKY_) 10.19-</b>				<b>MPV (Large MPV-M1 Segment)</b>				
1.2 VVT-i 110 (BKYN) (EB2ADT)		Gasolina	FWD	1199	81	110	10.19-	*
1.2 VVT-i 130 (BKYN) (EB2ADTS)		Gasolina	FWD	1199	96	131	10.19-	*
Electric (BKYS)		Eléctrico	FWD		100	136	07.21-02.24	*
Electric (BKYZ)		Eléctrico	FWD		100	136	03.24-	*
1.5 D-4D 100 (BKYM) (DV5RD)		Diesel	FWD	1499	75	102	10.19-	*
1.5 D-4D 130 (BKYM) (DV5RC)		Diesel	FWD	1499	96	131	10.19-	*
1.6 D-4D 92 (BKYQ)		Diesel	FWD	1560	68	92	01.22-	*

## VAUXHALL

<b>COMBO Mk IV (K9) 06.18-</b>				<b>MPV (Large MPV-M1 Segment)</b>				
1.2 (D 12 XHL (EB2ADT))		Gasolina	FWD	1199	81	110	06.18-	*
1.2 (F 12 XHT (EB2ADTS))		Gasolina	FWD	1199	96	131	07.19-	*
Combo-e		Eléctrico	FWD		100	136	06.21-04.24	*
1.5 (D 15 DT (DV5RD))		Diesel	FWD	1499	75	102	06.18-	*
1.5 (D 15 DTH (DV5RC))		Diesel	FWD	1499	96	131	06.18-	*