

# LISTA DE APLICACIONES - BUYERS GUIDE

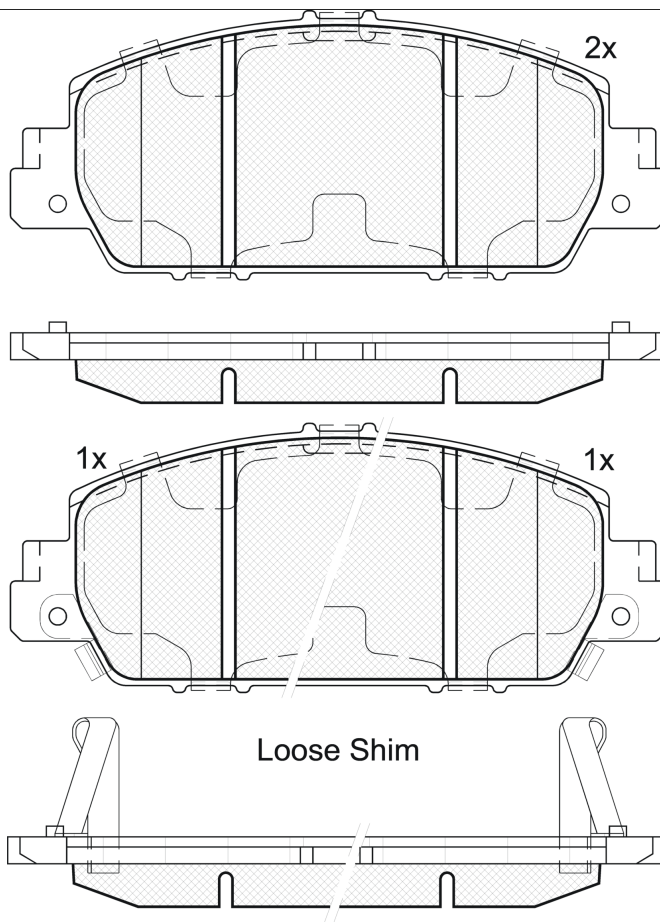
## RB2153



Qty: 300

Weight: 1.845

O.E.M.	MAKE
45022-T2G-A00	HONDA
45022-T2G-A01	HONDA
45022-T2M-T00	HONDA
45022-T2M-T01	HONDA
45022-T3V-A00	HONDA
45022-T3V-A01	HONDA
45022-T3Z-A01	HONDA
45022-T4N-H01	HONDA
45022-T6A-J00	HONDA
45022-T6D-H00	HONDA
45022-T6D-H01	HONDA
45022-T6M-H02	HONDA
45022-T7W-A00	HONDA
45022-T7W-A01	HONDA
45022-T8M-G00	HONDA
45022-T8M-G00 SK	HONDA
45022-T8M-G01	HONDA
45022-TVA-A00	HONDA



## RB2153

**E 9 90R-02A0111/3779**



Akebono

148.7x60.8x16.4

WVA	FMSI
25792	D1654-8883
25793	
25794	

Sin Filas



Trac.	CC	Kw	CV
-------	----	----	----



Front / Rear

### HONDA

(RV) 04.21-							SUV ()	
1.5 (RV3)		Gasolina	FWD	1498	87	118	01.22-	*
1.5 iVtec (RV3)		Gasolina	FWD	1498	89	121	06.21-	*
1.5 eHEV (RV5)		Gasol./el éc.	FWD	1498	78	106	04.21-	*
1.5 eHEV (RV5)		Gasol./el éc.	FWD	1498	79	107	09.21-	*
1.5 eHEV (RV5)		Gasol./el éc.	FWD	1498	96	131	09.21-	*

ACCORD IX 09.12-							Coupé (Executive car-E Segment)	
2.4		Gasolina	FWD	2354	141	192	09.13-	*
2.4 (K24W2)		Gasolina	FWD	2356	127	173	05.13-	*
2.4 (K24Z3)		Gasolina	FWD	2356	138	188	09.12-	*
3.5 (J35Y3)		Gasolina	FWD	3471	203	276	05.13-	*
3.5		Gasolina	FWD	3471	204	277	09.13-	*
3.5 (J35Y1)		Gasolina	FWD	3471	207	282	09.12-	*

ACCORD IX (CR) 09.12-							Sedán (Executive car-E Segment)	
2.0		Gasolina	FWD	1997	114	155	09.13-	*
2.4		Gasolina	FWD	2354	136	185	09.13-	*
2.4 (K24Z2)		Gasolina	FWD	2354	136	185	09.12-	*
2.4 (K24W1)		Gasolina	FWD	2354	141	192	09.12-	*
2.4 (CR2) (K24W)		Gasolina	FWD	2356	129	175	11.13-	*
2.4 (CR2) (K24W2)		Gasolina	FWD	2356	132	180	07.14-	*
2.4 (CR2) (K24W3)		Gasolina	FWD	2356	132	180	07.14-	*
2.4 (K24Z3)		Gasolina	FWD	2356	138	188	09.12-	*

# LISTA DE APLICACIONES - BUYERS GUIDE

2.4		Gasolina	FWD	2356	139	189	04.17-	*
3.5 (J35Z2)		Gasolina	FWD	3471	204	277	09.13-	*
3.5		Gasolina	FWD	3471	206	280	11.13-	*
3.5 (J35Y1)		Gasolina	FWD	3471	207	282	09.12-	*
2.0 E85 (CR1) (R20Z2)		Gasol./Etanol	FWD	1997	114	155	06.13-	*
2.0 E85 (CR1) (R20Z3)		Gasol./Etanol	FWD	1997	114	155	06.13-	*
2.4 E85 (CR2)		Gasol./Etanol	FWD	2356	128	174	06.13-	*
2.0 Hybrid		Gasol./eléc.	FWD	1993	105	143	01.13-	*
2.0 Hybrid (CR6)		Gasol./eléc.	FWD	1993	146	199	01.13-04.16	*
2.0 Hybrid (CR6) (LFA-H4)		Gasol./eléc.	FWD	1993	158	215	05.16-	*
<b>ACCORD X (CV) 10.17-</b>				<b>Sedán (Executive car-E Segment)</b>				
1.5 iVTEC (CV1)		Gasolina	FWD	1498	138	188	10.17-	*
1.5 iVtec		Gasolina	FWD	1498	140	190	07.19-	*
1.5 VTEC		Gasolina	FWD	1498	143	194	10.18-	*
1.5 VTEC (CV1) (L15BE)		Gasolina	FWD	1498	146	198	10.17-	*
1.5 iVTEC (CV1)		Gasolina	FWD	1498	148	201	02.20-	*
2.0 iVTEC (CV2) (K20C4)		Gasolina	FWD	1996	182	247	10.17-	*
2.0 iVTEC		Gasolina	FWD	1996	184	250	11.18-	*
2.0 iVTEC		Gasolina	FWD	1996	188	256	01.18-	*
2.0 iVtec Hybrid Flex (CV3)		Gasol./etanol/eléc.	FWD	1993	107	145	03.19-	*
1.5 iVTEC Flex		Gasol./Etanol	FWD	1498	140	190	03.19-	*
2.0 Hybrid (CV2, CV3)		Gasol./eléc.	FWD	1993	158	215	10.18-	*
<b>HR-V II - VEZEL (RU) 11.14-</b>				<b>SUV (Mini SUV-J Segment)</b>				
1.5 i-VTEC AWD (RU2) (L15B4)		Gasolina	4WD	1496	96	130	01.16-	*
1.5 (RU1)		Gasolina	FWD	1497	88	120	01.15-	*
1.5 (RU1) (L15B)		Gasolina	FWD	1498	96	130	08.15-	*
1.5 i-VTEC (RU1) (L15BY)		Gasolina	FWD	1498	134	182	04.19-	*
1.8 (RU5)		Gasolina	FWD	1799	102	139	01.15-	*
1.8 i-VTEC Flexone		Gasolina	FWD	1799	103	140	06.15-	*
1.8 (RU5) (R18ZF)		Gasolina	FWD	1799	104	141	11.14-	*
1.8 (RU5) (R18ZG)		Gasolina	FWD	1799	104	141	11.14-	*
1.8 AWD		Gasolina	4WD	1799	104	141	11.14-	*
1.8 (RU58)		Gasolina	FWD	1799	105	143	01.15-	*
1.8 AWD		Gasolina	4WD	1799	105	143	01.15-	*
1.6 i-DTEC (RU8)		Diesel	FWD	1597	88	120	08.15-	*
<b>STEPWGN V (DBA-RP_) 04.15-</b>				<b>MPV (Compact MPV-M1 Segment)</b>				
1.5		Gasolina	FWD	1496	110	150	04.15-	*
1.5		Gasolina	FWD	1496	110	150	04.15-	*
2.0 Hybrid (LFA-H4)		Eléctrico	FWD	1993	107	145	09.17-	*
2.0 Hybrid (LFA-H4)		Eléctrico	FWD	1993	135	184	09.17-	*
<b>VEZEL II (RU) 09.13-</b>				<b>Closed SUV (Mini SUV-J Segment)</b>				
1.5 i-VTEC		Gasolina	FWD	1496	96	131	09.13-	*
1.5 VTEC Flex		Gasol./Etanol	FWD	1496	85	116	09.13-	*
1.5 Hybrid		Gasol./eléc.	FWD	1496	97	132	09.13-	*

# LISTA DE APLICACIONES - BUYERS GUIDE

1.5 Hybrid		Gasol./el éc.	4WD	1496	97	132	09.13-	*	
<b>VEZEL II (RU) 09.13-</b>					<b>SUV (Mini SUV-J Segment)</b>				
1.5 i-VTEC (RU1)		Gasolina	FWD	1496	96	131	09.13-	*	
1.5 i-VTEC (L15Z7)		Gasolina	FWD	1497	88	120	01.15-	*	
<b>HONDA (DONGFENG)</b>									
<b>ELYSION (RR_) 01.16-</b>					<b>MPV (Compact MPV-M1 Segment)</b>				
2.4		Gasolina	FWD	2356	137	186	01.16-	*	
Vti Hybrid		Gasol./el éc.	FWD	1993	107	145	09.19-	*	
<b>INSPIRE (CV_) 10.18-</b>					<b>Sedán (Executive car-E Segment)</b>				
1.5 260 TURBO		Gasolina	FWD	1498	143	194	10.18-	*	
<b>JADE (FR_) 09.13-</b>					<b>MPV (Large MPV-M1 Segment)</b>				
210 TURBO (L15BF)		Gasolina	FWD	1498	115	156	12.16-	*	
1.8 (R18Z6)		Gasolina	FWD	1798	104	141	09.13-	*	
<b>SPIRIOR II (CU_) 11.14-</b>					<b>Sedán (Executive car-E Segment)</b>				
2.0		Gasolina	FWD	1997	114	155	11.14-	*	
2.0 Hybrid		Gasol./el éc.	FWD	1993	107	146	01.17-	*	
<b>XR-V (RU_) 11.14-</b>					<b>SUV ()</b>				
1.5		Gasolina	FWD	1496	96	131	06.15-	*	
220TURBO		Gasolina	FWD	1498	130	177	07.19-	*	
1.8		Gasolina	FWD	1798	100	136	11.14-	*	
<b>HONDA (GAC)</b>									
<b>ACCORD IX (CR_) 09.13-</b>					<b>Sedán (Compact executive car-D Segment)</b>				
2.0		Gasolina	FWD	1997	114	155	09.13-12.18	*	
2.4		Gasolina	FWD	2356	137	186	09.13-	*	
3.0		Gasolina	FWD	2997	192	261	09.13-	*	
2.0 Hybrid		Gasol./el éc.	FWD	1993	107	146	09.16-	*	
<b>ACCORD X (CV_) 04.18-</b>					<b>Sedán (Compact executive car-D Segment)</b>				
230 TURBO (L15BM)		Gasolina	FWD	1498	130	177	05.18-	*	
260 TURBO (L15BN)		Gasolina	FWD	1498	143	194	05.18-	*	
HEV (LFB11)		Gasol./el éc.	FWD	1993	107	145	08.18-	*	
<b>ODYSSEY III (RC_) 08.14-</b>					<b>MPV (Large MPV-M1 Segment)</b>				
2.4		Gasolina	FWD	2356	137	186	08.14-	*	
hybrid		Gasol./el éc.	FWD	1993	107	145	04.19-	*	
<b>VEZEL - HR-V (RU_) 10.14-</b>					<b>SUV (Mini SUV-J Segment)</b>				
1.5		Gasolina	FWD	1498	96	131	10.14-	*	
220TURBO		Gasolina	FWD	1498	130	177	06.19-	*	
1.8		Gasolina	FWD	1799	100	136	10.14-	*	
1.8		Gasolina	FWD	1799	100	136	10.14-	*	