

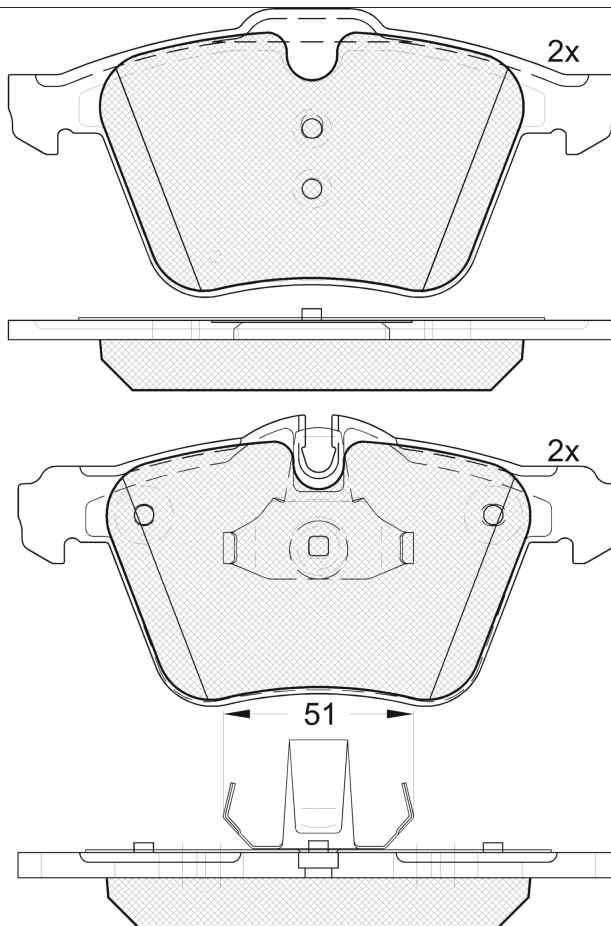
LISTA DE APLICACIONES - BUYERS GUIDE

RB2149



Qty: 300

Weight: 2.200



RB2149

E 9 90R-02A0111/3786



Ate - Teves

154.9x75.1x20

155.9x74.3x20

WVA

24079

25803

FMSI

D1472-8357

D1472-8858

D1751-8357

Sin Filas

O.E.M.	MAKE
C20 31788	JAGUAR
C2C 14096	JAGUAR
C2C 40926	JAGUAR
C2D 23150	JAGUAR
C2D 31788	JAGUAR
C2D60996	JAGUAR
EX53-2K021-AB	JAGUAR
T2R10202	JAGUAR
T2R7247	JAGUAR



Trac.	CC	Kw	CV
-------	----	----	----



Front / Rear

JAGUAR

F-TYPE (X152) 10.12-

Cabrio (Sports car-S Segment)

2.0 Ti4 (PT204)	Gasolina	RWD	1997	221	300	07.17-	*
3.0 SCV6 (306PS)	Gasolina	RWD	2995	250	340	10.12-	*
3.0 SCV6 AWD (306PS)	Gasolina	4WD	2995	250	340	08.17-	*
3.0 SCV6 S (306PS)	Gasolina	RWD	2995	280	380	10.12-	*
3.0 SCV6 S AWD (306PS)	Gasolina	4WD	2995	280	380	12.14-	*
SCV6 400 SPORT (306PS)	Gasolina	RWD	2995	294	400	11.16-	*
SCV6 400 SPORT AWD (306PS)	Gasolina	4WD	2995	294	400	11.16-	*
5.0 SCV8 P450 (AJ133G2)	Gasolina	RWD	5000	331	450	12.19-	*
5.0 SCV8 P450 AWD (AJ133G2)	Gasolina	4WD	5000	331	450	12.19-	*
5.0 SCV8 S (508PS)	Gasolina	RWD	5000	364	495	10.12-	*
5.0 SCV8 R (508PS)	Gasolina	RWD	5000	405	551	10.13-	*
5.0 SCV8 R AWD (508PS)	Gasolina	4WD	5000	405	551	12.14-	*
5.0 SCV8 SVR (508PS)	Gasolina	RWD	5000	423	575	05.15-	*
5.0 SCV8 SVR / SCV8 P575 R AWD (508PS)	Gasolina	4WD	5000	423	575	12.15-	*
5.0 SCV8 SVR / SCV8 P575 R AWD (AJ133G2)	Gasolina	4WD	5000	423	575	12.15-	*

F-TYPE (X152) 09.13-

Coupé (Sports car-S Segment)

2.0 Ti4 (PT204)	Gasolina	RWD	1997	221	300	07.17-	*
3.0 SCV6 (306PS)	Gasolina	RWD	2995	250	340	10.13-	*
3.0 SCV6 AWD (306PS)	Gasolina	4WD	2995	250	340	08.17-	*
3.0 SCV6 S (306PS)	Gasolina	RWD	2995	280	380	10.13-	*
3.0 SCV6 S AWD (306PS)	Gasolina	4WD	2995	280	380	12.14-	*
3.0 SCV6 400 SPORT (306PS)	Gasolina	RWD	2995	294	400	11.16-	*
3.0 SCV6 400 SPORT AWD (306PS)	Gasolina	4WD	2995	294	400	11.16-	*

LISTA DE APLICACIONES - BUYERS GUIDE

5.0 SCV8 P450 (AJ133G2)	Gasolina	RWD	5000	331	450	12.19-	*
5.0 SCV8 P450 AWD (AJ133G2)	Gasolina	4WD	5000	331	450	12.19-	*
5.0 SCV8 S (508PS)	Gasolina	RWD	5000	364	495	09.13-10.15	*
5.0 SCV8 R (508PS)	Gasolina	RWD	5000	405	551	10.13-	*
5.0 SCV8 R AWD (508PS)	Gasolina	4WD	5000	405	551	12.14-	*
5.0 SCV8 SVR / SCV8 P575 R AWD (508PS)	Gasolina	4WD	5000	423	575	12.15-	*
5.0 SCV8 SVR / SCV8 P575 R AWD (AJ133G2)	Gasolina	4WD	5000	423	575	12.15-	*
XF (X250) 03.08-04.15				Sedán (Luxury car-F Segment)			
2.0 (204PT)	Gasolina	RWD	1999	177	241	06.12-04.15	*
3.0 AWD (306PS)	Gasolina	4WD	2995	250	340	10.12-04.15	*
3.0	Gasolina	RWD	2995	254	345	01.13-12.14	*
3.0 AWD (306PS)	Gasolina	4WD	2995	254	345	09.13-04.15	*
4.2 Supercharged (SV8TS)	Gasolina	RWD	4196	306	416	03.08-04.15	*
3.0 Flexfuel	Gasol./Etanol	RWD	2995	250	340	09.13-04.15	*
3.0 Flexfuel AWD	Gasol./Etanol	4WD	2995	250	340	09.13-04.15	*
3.0 D	Diesel	RWD	2993	177	241	03.12-	*
XF II SPORTBRAKE (X250) 09.12-12.15				[CAMBIADO]:Break (Luxury car-F Segment)			
2.0 T (204PT)	Gasolina	RWD	1999	177	240	08.13-12.15	*
3.0 D (306DT)	Diesel	RWD	2993	202	275	09.12-04.14	*
3.0 D (AJV6D)	Diesel	RWD	2993	202	275	09.12-04.14	*
XJ (X351) 10.09-				Sedán (Luxury car-F Segment)			
2.0 Ti4 (204PT)	Gasolina	RWD	1999	177	241	05.12-12.19	*
3.0 V6 (AJ-V6)	Gasolina	RWD	2967	175	238	01.11-12.19	*
3.0 SCV6 (306PS)	Gasolina	RWD	2995	250	340	03.12-12.19	*
3.0 SCV6 AWD (306PS)	Gasolina	4WD	2995	250	340	10.12-12.19	*
3.0 SCV6 (306PS)	Gasolina	4WD	2995	253	344	09.13-	*
3.0 SCV6 (306PS)	Gasolina	RWD	2995	253	344	09.12-	*
5.0	Gasolina	RWD	5000	218	296	10.09-12.12	*
5.0 V8 (508PN)	Gasolina	RWD	5000	283	385	10.09-12.19	*
5.0 V8 (508PN)	Gasolina	RWD	5000	287	390	08.12-12.19	*
5.0 V8 AWD (508PN)	Gasolina	4WD	5000	287	390	08.12-	*
5.0 SCV8 (508PS)	Gasolina	RWD	5000	350	476	09.12-	*
5.0 SCV8 (508PS)	Gasolina	RWD	5000	380	517	09.12-	*
3.0 SDV6 (306DT)	Diesel	RWD	2993	202	275	10.09-04.16	*
3.0 SDV6 (306DT)	Diesel	RWD	2993	221	300	04.15-12.19	*
XK II (X150) 03.06-07.14				Cabrió (Grand Tourer-S Segment)			
5.0 V8 (508PN)	Gasolina	RWD	5000	283	385	01.09-07.14	*
XK II (X150) 03.06-12.14				Coupé (Grand Tourer-S Segment)			
5.0 V8	Gasolina	FWD	5000	218	296	09.10-12.11	*
5.0 V8 (508PN)	Gasolina	RWD	5000	283	385	01.09-07.14	*