

LISTA DE APLICACIONES - BUYERS GUIDE

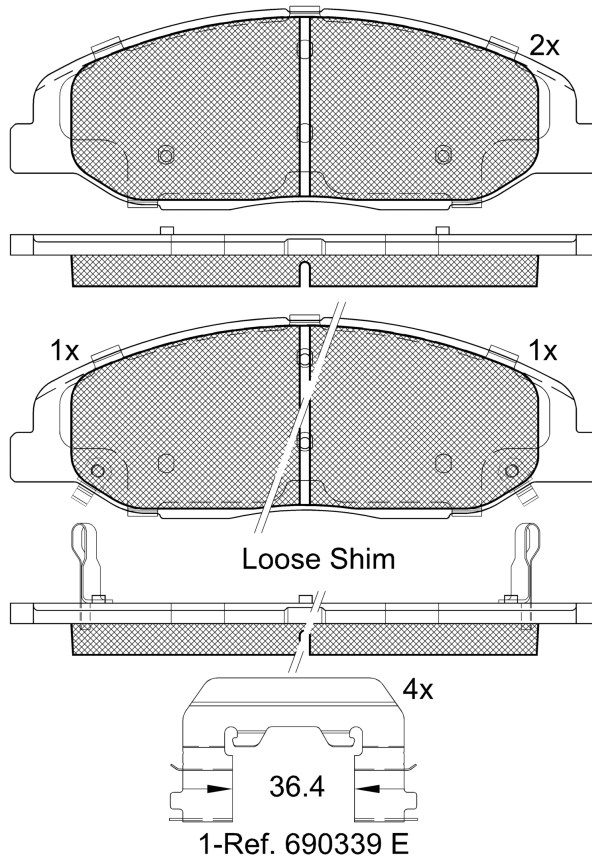
RB2141



Qty: 300

Weight: 2.275

O.E.M.	MAKE
2282 5195	CADILLAC
2581 4699	CADILLAC



RB2141

E 9 90R-02A0111/2589



Mando

175.9x60x16

WVA	FMSI
24937	D1332-8444
24938	
24939	

Sin Filas



Trac.	CC	Kw	CV
-------	----	----	----



Front / Rear

CADILLAC

CTS II 01.08-

Coupé (Executive car-E Segment)

Model	Fuel	Trac.	CC	Kw	CV	Year	Status
3.0 (LF1)	Gasolina	RWD	2997	201	273	01.10-12.13	*
3.0 AWD (LF1)	Gasolina	4WD	2997	201	273	01.10-12.13	*
3.6	Gasolina	FWD	3564	218	296	09.11-12.12	*
3.6	Gasolina	FWD	3564	218	296	09.11-12.12	*
3.6 FLEX	Gasolina	FWD	3564	218	296	09.12-12.13	*
3.6 FLEX	Gasolina	FWD	3564	218	296	09.12-12.13	*
3.6	Gasolina	RWD	3564	223	304	01.11-12.11	*
3.6 (LLT)	Gasolina	RWD	3564	229	311	01.08-	*
3.6 AWD (LLT)	Gasolina	4WD	3564	229	311	01.08-12.12	*
3.6 (LLT)	Gasolina	RWD	3564	237	322	09.11-	*
3.6 AWD (LLT)	Gasolina	4WD	3564	237	322	09.11-07.14	*
3.0 Flexfuel (LFW)	Gasol./Etanol	RWD	2997	201	273	01.12-07.14	*
3.0 Flexfuel AWD (LFW)	Gasol./Etanol	4WD	2997	201	273	01.12-12.12	*
3.6 Flexfuel (LFX)	Gasol./Etanol	RWD	3564	237	322	09.11-	*
3.6 Flexfuel AWD (LFX)	Gasol./Etanol	4WD	3564	237	322	09.12-	*

CTS II 07.07-

Sedán (Executive car-E Segment)

2.8 (LP1)	Gasolina	RWD	2792	155	211	01.08-12.09	*
3.0	Gasolina	RWD	2997	201	273	09.09-10.13	*
3.0 AWD (LF1)	Gasolina	4WD	2997	201	273	09.09-10.13	*
3.0 AWD (LFW)	Gasolina	4WD	2997	201	273	09.09-10.13	*
3.0 (LF1)	Gasolina	RWD	2997	203	276	01.08-12.11	*

LISTA DE APLICACIONES - BUYERS GUIDE

3.0 AWD (LF1)		Gasolina	4WD	2997	203	276	01.08-12.10	*
3.6 (LY7)		Gasolina	RWD	3564	196	266	01.08-12.10	*
3.6		Gasolina	RWD	3564	199	271	01.10-	*
3.6 AWD (LLT)		Gasolina	4WD	3564	199	271	01.10-09.13	*
3.6		Gasolina	FWD	3564	218	296	09.11-12.12	*
3.6		Gasolina	FWD	3564	218	296	09.11-12.12	*
3.6 FLEX		Gasolina	FWD	3564	218	296	09.12-12.13	*
3.6 FLEX		Gasolina	FWD	3564	218	296	09.12-12.13	*
3.6 VVTi (LLT)		Gasolina	RWD	3564	224	305	03.08-12.12	*
3.6 VVTi (LLT)		Gasolina	RWD	3564	227	309	01.08-	*
3.6 VVTi AWD (LLT)		Gasolina	4WD	3564	227	309	03.08-12.11	*
3.6 (LLT)		Gasolina	RWD	3564	229	311	01.08-09.13	*
3.6 AWD (LLT)		Gasolina	4WD	3564	229	311	01.08-09.13	*
3.6 (LLT)		Gasolina	RWD	3564	237	322	09.11-09.13	*
3.6 AWD (LLT)		Gasolina	4WD	3564	237	322	09.11-09.13	*
3.0 Flexfuel (LFW)		Gasol./Etanol	RWD	2997	201	273	09.09-10.13	*
3.0 Flexfuel AWD (LFW)		Gasol./Etanol	4WD	2997	201	273	09.09-10.13	*
3.6 Flexfuel (LFX)		Gasol./Etanol	RWD	3564	237	322	09.12-	*
3.6 Flexfuel AWD (LFX)		Gasol./Etanol	4WD	3564	237	322	09.12-	*
CTS II Sport Wagon 01.08-					[CAMBIADO]:Break (Executive car-E Segment)			
3.0		Gasolina	FWD	2997	201	273	09.09-12.11	*
3.0 AWD (LF1)		Gasolina	4WD	2997	201	273	09.09-12.11	*
3.0 (LF1)		Gasolina	RWD	2997	203	276	01.08-	*
3.0 AWD (LF1)		Gasolina	4WD	2997	203	276	01.08-	*
3.6		Gasolina	FWD	3564	218	296	09.11-12.12	*
3.6		Gasolina	FWD	3564	218	296	09.11-12.12	*
3.6		Gasolina	FWD	3564	227	309	09.09-12.10	*
3.6		Gasolina	FWD	3564	227	309	09.09-12.10	*
3.6 (LLT)		Gasolina	RWD	3564	229	311	01.08-12.11	*
3.6 AWD (LLT)		Gasolina	4WD	3564	229	311	01.08-12.11	*
3.6 (LLT)		Gasolina	RWD	3564	237	322	09.11-07.14	*
3.6 AWD (LLT)		Gasolina	4WD	3564	237	322	09.11-07.14	*
3.0 Flexfuel (LFW)		Gasol./Etanol	RWD	2997	201	273	01.12-07.14	*
3.0 Flexfuel AWD (LFW)		Gasol./Etanol	4WD	2997	201	273	01.12-07.14	*
3.6 FLEX (LFX)		Gasol./Etanol	RWD	3564	237	322	09.11-	*
3.6 FLEX AWD (LFX)		Gasol./Etanol	4WD	3564	237	322	09.12-	*
CTS III 09.13-					Coupé (Executive car-E Segment)			
3.6 (LFX)		Gasolina	RWD	3564	237	322	09.13-	*
3.6 FLEX (LFX)		Gasol./Etanol	RWD	3564	239	325	07.14-	*
3.6 FLEX AWD (LFX)		Gasol./Etanol	4WD	3564	239	325	07.14-	*
CTS III 09.13-					Sedán (Executive car-E Segment)			
3.0 (LFW)		Gasolina	RWD	2997	201	273	07.14-	*
3.0 AWD (LFW)		Gasolina	4WD	2997	201	273	07.14-	*
3.6 (LFX)		Gasolina	RWD	3564	239	325	09.13-	*
3.6 (LF3(218CUV6))		Gasolina	RWD	3564	313	426	07.14-	*

LISTA DE APLICACIONES - BUYERS GUIDE

CTS III Sport Wagon 09.13-					[CAMBIADO]:Break (Executive car-E Segment)			
3.0 (LFW)	Gasolina	RWD	2997	201	273	07.14-	*	
3.0 AWD (LFW)	Gasolina	4WD	2997	201	273	01.12-12.14	*	
3.6 FLEX (LFX)	Gasol./Etanol	RWD	3564	239	325	07.14-	*	
3.6 FLEX AWD (LFX)	Gasol./Etanol	4WD	3564	239	325	07.14-	*	
STS 09.07-12.12					Sedán (Luxury car-F Segment)			
3.6 (LLT)	Gasolina	RWD	3564	229	311	10.09-12.12	*	