

# LISTA DE APLICACIONES - BUYERS GUIDE

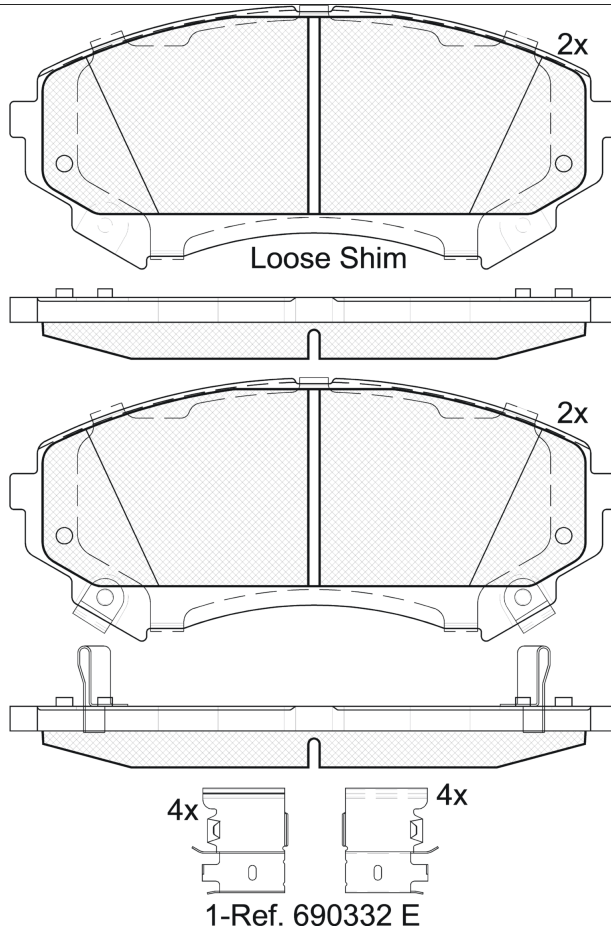
## RB2140



Qty: 300

Weight: 2.440

O.E.M.	MAKE
2581 4702	CADILLAC
2595 8115	CADILLAC



## RB2140

E 9 90R-02A0111/2588



Mando

161.9x69.9x16.9

WVA	FMSI
24940	D1331-8443
24941	D1331-8534

Sin Filas



Trac.	CC	Kw	CV
-------	----	----	----



Front / Rear

### CADILLAC

#### CTS II 01.08-

#### Coupé (Executive car-E Segment)

Model	Gasolina	Trac.	CC	Kw	CV	Year	*
3.0 (LF1)	Gasolina	RWD	2997	201	273	01.10-12.13	*
3.0 AWD (LF1)	Gasolina	4WD	2997	201	273	01.10-12.13	*
3.6	Gasolina	FWD	3564	218	296	09.11-12.12	*
3.6	Gasolina	FWD	3564	218	296	09.11-12.12	*
3.6 FLEX	Gasolina	FWD	3564	218	296	09.12-12.13	*
3.6 FLEX	Gasolina	FWD	3564	218	296	09.12-12.13	*
3.6	Gasolina	RWD	3564	223	304	01.11-12.11	*
3.6 (LLT)	Gasolina	RWD	3564	229	311	01.08-	*
3.6 AWD (LLT)	Gasolina	4WD	3564	229	311	01.08-12.12	*
3.6 (LLT)	Gasolina	RWD	3564	237	322	09.11-	*
3.6 AWD (LLT)	Gasolina	4WD	3564	237	322	09.11-07.14	*
3.0 Flexfuel (LFW)	Gasol./Etanol	RWD	2997	201	273	01.12-07.14	*
3.0 Flexfuel AWD (LFW)	Gasol./Etanol	4WD	2997	201	273	01.12-12.12	*
3.6 Flexfuel (LFX)	Gasol./Etanol	RWD	3564	237	322	09.11-	*
3.6 Flexfuel AWD (LFX)	Gasol./Etanol	4WD	3564	237	322	09.12-	*

#### CTS II 07.07-

#### Sedán (Executive car-E Segment)

Model	Gasolina	Trac.	CC	Kw	CV	Year	*
2.8 (LP1)	Gasolina	RWD	2792	155	211	01.08-12.09	*
3.0 (LF1)	Gasolina	RWD	2997	203	276	01.08-12.11	*
3.0 AWD (LF1)	Gasolina	4WD	2997	203	276	01.08-12.10	*
3.6 (LY7)	Gasolina	RWD	3564	196	266	01.08-12.10	*
3.6	Gasolina	RWD	3564	199	271	01.10-	*

# LISTA DE APLICACIONES - BUYERS GUIDE

3.6 AWD (LLT)		Gasolina	4WD	3564	199	271	01.10-09.13	*	
3.6		Gasolina	FWD	3564	218	296	09.11-12.12	*	
3.6		Gasolina	FWD	3564	218	296	09.11-12.12	*	
3.6 FLEX		Gasolina	FWD	3564	218	296	09.12-12.13	*	
3.6 FLEX		Gasolina	FWD	3564	218	296	09.12-12.13	*	
3.6 VVTi (LLT)		Gasolina	RWD	3564	224	305	03.08-12.12	*	
3.6 VVTi (LLT)		Gasolina	RWD	3564	227	309	01.08-	*	
3.6 VVTi AWD (LLT)		Gasolina	4WD	3564	227	309	03.08-12.11	*	
3.6 (LLT)		Gasolina	RWD	3564	229	311	01.08-09.13	*	
3.6 AWD (LLT)		Gasolina	4WD	3564	229	311	01.08-09.13	*	
3.6 (LLT)		Gasolina	RWD	3564	237	322	09.11-09.13	*	
3.6 AWD (LLT)		Gasolina	4WD	3564	237	322	09.11-09.13	*	
6.2 (LSA)		Gasolina	RWD	6162	415	564	01.09-	*	
3.0 Flexfuel (LFW)		Gasol./Etanol	RWD	2997	201	273	09.09-10.13	*	
3.0 Flexfuel AWD (LFW)		Gasol./Etanol	4WD	2997	201	273	09.09-10.13	*	
3.6 Flexfuel (LFX)		Gasol./Etanol	RWD	3564	237	322	09.12-	*	
3.6 Flexfuel AWD (LFX)		Gasol./Etanol	4WD	3564	237	322	09.12-	*	
<b>CTS II Sport Wagon 01.08-</b>							<b>[CAMBIADO]:Break (Executive car-E Segment)</b>		
3.0		Gasolina	FWD	2997	201	273	09.09-12.11	*	
3.0 AWD (LF1)		Gasolina	4WD	2997	201	273	09.09-12.11	*	
3.0 (LF1)		Gasolina	RWD	2997	203	276	01.08-	*	
3.0 AWD (LF1)		Gasolina	4WD	2997	203	276	01.08-	*	
3.6		Gasolina	FWD	3564	218	296	09.11-12.12	*	
3.6		Gasolina	FWD	3564	218	296	09.11-12.12	*	
3.6		Gasolina	FWD	3564	227	309	09.09-12.10	*	
3.6		Gasolina	FWD	3564	227	309	09.09-12.10	*	
3.6 (LLT)		Gasolina	RWD	3564	229	311	01.08-12.11	*	
3.6 AWD (LLT)		Gasolina	4WD	3564	229	311	01.08-12.11	*	
3.6 (LLT)		Gasolina	RWD	3564	237	322	09.11-07.14	*	
3.6 AWD (LLT)		Gasolina	4WD	3564	237	322	09.11-07.14	*	
3.0 Flexfuel (LFW)		Gasol./Etanol	RWD	2997	201	273	01.12-07.14	*	
3.0 Flexfuel AWD (LFW)		Gasol./Etanol	4WD	2997	201	273	01.12-07.14	*	
3.6 FLEX (LFX)		Gasol./Etanol	RWD	3564	237	322	09.11-	*	
3.6 FLEX AWD (LFX)		Gasol./Etanol	4WD	3564	237	322	09.12-	*	
<b>CTS III 09.13-</b>							<b>Coupé (Executive car-E Segment)</b>		
3.6 (LFX)		Gasolina	RWD	3564	237	322	09.13-	*	
3.6 FLEX (LFX)		Gasol./Etanol	RWD	3564	239	325	07.14-	*	
3.6 FLEX AWD (LFX)		Gasol./Etanol	4WD	3564	239	325	07.14-	*	
<b>CTS III 09.13-</b>							<b>Sedán (Executive car-E Segment)</b>		
3.0 (LFW)		Gasolina	RWD	2997	201	273	07.14-	*	
3.0 AWD (LFW)		Gasolina	4WD	2997	201	273	07.14-	*	
3.6 (LFX)		Gasolina	RWD	3564	239	325	09.13-	*	
3.6 (LF3(218CUV6))		Gasolina	RWD	3564	313	426	07.14-	*	
<b>CTS III Sport Wagon 09.13-</b>							<b>[CAMBIADO]:Break (Executive car-E Segment)</b>		
3.0 (LFW)		Gasolina	RWD	2997	201	273	07.14-	*	

## LISTA DE APLICACIONES - BUYERS GUIDE

3.0 AWD (LFW)		Gasolina	4WD	2997	201	273	01.12-12.14	*
3.6 FLEX (LFX)		Gasol./Etanol	RWD	3564	239	325	07.14-	*
3.6 FLEX AWD (LFX)		Gasol./Etanol	4WD	3564	239	325	07.14-	*