

# LISTA DE APLICACIONES - BUYERS GUIDE

## RB2138

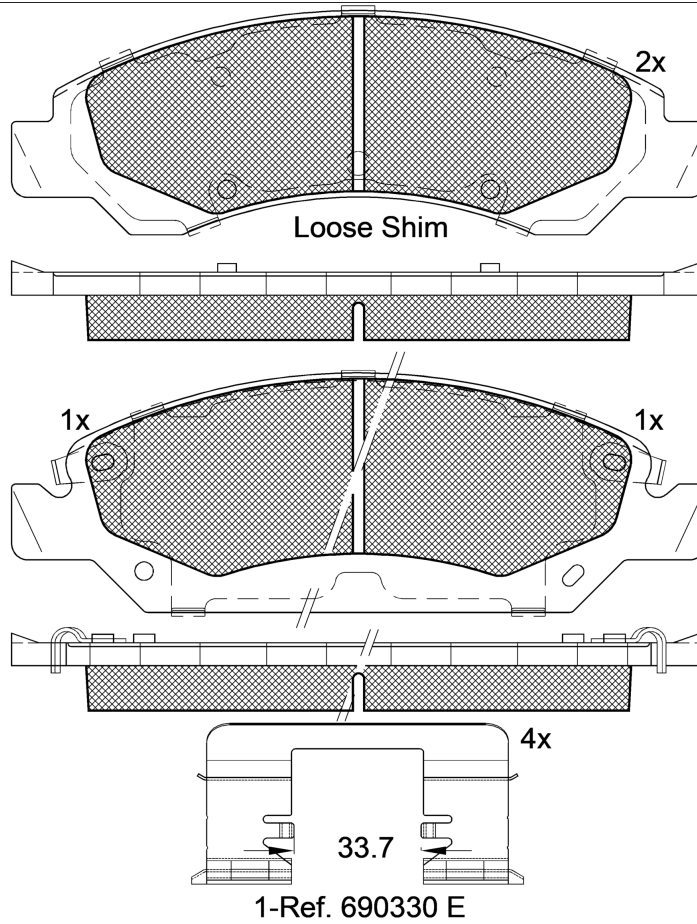


8 424073 138828

Qty: 300

Weight: 2.415

O.E.M.	MAKE
1925 7667	CADILLAC
2274 2382	CADILLAC
2313 5915	CHEVROLET
8421 8390	CHEVROLET
8432 0501	CHEVROLET



## RB2138



Akebono

184.1x59.5x18.6
184.1x63.6x18.6

WVA	FMSI
22982	D1363-8803
22983	
22984	

Sin Filas



Trac.	CC	Kw	CV
-------	----	----	----



Front / Rear

### CADILLAC

ESCALADE III 09.06-					Pick-up (Luxury Crossover SUV-J Segment)			
6.2 Flex	Gasol./Et anol	RWD	6162	301	409	01.10-	*	
6.2 Flex AWD	Gasol./Et anol	4WD	6162	301	409	01.10-	*	
ESCALADE III 10.06-12.15					SUV (Luxury Crossover SUV-J Segment)			
6.2 AWD (L92)	Gasolina	4WD	6162	296	403	10.06-12.14	*	
6.2 (L92)	Gasolina	RWD	6162	301	409	10.06-12.14	*	
6.2 (L94)	Gasolina	RWD	6162	301	409	10.06-12.14	*	
6.2 AWD (L92)	Gasolina	4WD	6162	301	409	10.06-12.14	*	
6.2 AWD (L94)	Gasolina	4WD	6162	301	409	10.06-12.14	*	
6.2 AWD (L9H)	Gasolina	4WD	6162	301	409	10.06-12.14	*	
6.0 HYBRID (LZ1)	Gasol./et anol/eléc	RWD	5967	283	385	09.10-12.13	*	
6.0 HYBRID AWD (LZ1)	Gasol./et anol/eléc	4WD	5967	283	385	09.10-12.13	*	
6.2 FLEXFUEL (L92)	Gasol./Et anol	RWD	6162	301	409	10.06-12.14	*	
6.2 FLEXFUEL (L94)	Gasol./Et anol	RWD	6162	301	409	10.06-12.14	*	
6.2 FLEXFUEL AWD (L92)	Gasol./Et anol	4WD	6162	301	409	10.06-12.14	*	
6.2 FLEXFUEL AWD (L94)	Gasol./Et anol	4WD	6162	301	409	10.06-12.14	*	
6.0 HYBRID (LZ1)	Gasol./el éc.	RWD	5967	283	385	11.10-12.13	*	
6.0 HYBRID AWD (LZ1)	Gasol./el éc.	4WD	5967	283	385	11.10-12.13	*	

# LISTA DE APLICACIONES - BUYERS GUIDE

<b>ESCALADE IV 09.14-</b>					<b>SUV (Luxury Crossover SUV-J Segment)</b>			
6.2 AWD (L86)	Gasolina	4WD	6162	313	426	09.14-12.20	*	
<b>XTS (1P5) 09.11-</b>					<b>Sedán (Luxury car-F Segment)</b>			
3.6 (LFX)	Gasolina	FWD	3564	227	309	09.11-	*	
<b>CADILLAC (SGM)</b>								
<b>XTS (EG4) 03.13-</b>					<b>Sedán (Luxury car-F Segment)</b>			
2.0 T	Gasolina	FWD	1998	198	269	03.13-	*	
3.6	Gasolina	FWD	3564	227	309	03.13-	*	
<b>CHEVROLET</b>								
<b>AVALANCHE II 06.05-12.13</b>					<b>Pick-up (Luxury Crossover SUV-J Segment)</b>			
5.3 (LY5(325CUV8))	Gasolina	RWD	5328	235	320	01.07-12.13	*	
5.3 AWD (LY5(325CUV8))	Gasolina	4WD	5328	235	320	05.06-12.13	*	
5.3 Flex-Fuel AWD	Gasol./Etanol	4WD	5328	231	314	01.07-12.13	*	
5.3 Flex-Fuel (LY5(325CUV8))	Gasol./Etanol	RWD	5328	235	320	06.05-07.07	*	
5.3 Flex-Fuel AWD (LC9(325CUV8))	Gasol./Etanol	4WD	5328	235	320	06.05-12.13	*	
5.3 Flex-Fuel AWD (LMG)	Gasol./Etanol	4WD	5328	235	320	06.05-12.13	*	
<b>EXPRESS II 01.03-</b>					<b>[CAMBIADO]:Furgón (LCVs-N1 Segment)</b>			
4.3 (LU3)	Gasolina	RWD	4300	143	194	01.03-	*	
4.3 Flex-Fuel	Gasolina	FWD	4300	145	197	01.03-	*	
4.3 Flex-Fuel	Gasolina	FWD	4300	145	197	01.12-	*	
5.3 2500 Flex-Fuel	Gasolina	FWD	5328	216	294	10.06-	*	
5.3 1500 (LM7)	Gasolina	RWD	5328	228	310	01.03-	*	
6.0 2500 (LY6)	Gasolina	RWD	5967	237	322	01.03-	*	
6.0 Flex-Fuel (G45) (L96)	Gasol./Etanol	RWD	5967	241	328	01.10-12.10	*	
<b>EXPRESS II 01.03-</b>					<b>Bus (Minibus-M2-Segment)</b>			
5.3 2500 (LM7)	Gasolina	RWD	5328	228	310	01.03-	*	
5.3 Flex-Fuel	Gasolina	FWD	5328	231	314	01.07-	*	
6.0 2500 (LY6)	Gasolina	RWD	5967	237	322	01.03-	*	
5.3 Flex-Fuel (L59)	Gasol./Etanol	RWD	5328	216	294	01.07-	*	
6.0 Flex-Fuel	Gasol./Etanol	RWD	5967	241	328	01.12-	*	
<b>EXPRESS II 01.03-</b>					<b>Caja/Chasis (LCVs-N1 Segment)</b>			
4.8 Flex-Fuel	Gasolina	FWD	4807	194	264	01.12-	*	
6.0 Flex-Fuel	Gasolina	FWD	5967	241	328	01.12-	*	
<b>MERIVA 02.02-07.12</b>					<b>MPV (Mini MPV-M1 Segment)</b>			
1.8	Gasolina	FWD	1796	78	106	01.04-07.12	*	
<b>SILVERADO 1500 09.97-12.07</b>					<b>Pick-up (Pick-Up Truck)</b>			
4.3 4WD (LU3)	Gasolina	4WD	4300	145	197	09.04-12.07	*	
4.3 AWD (LU3)	Gasolina	4WD	4300	147	200	10.99-12.07	*	
4.3	Gasolina	FWD	4300	149	203	09.98-12.04	*	
4.3	Gasolina	FWD	4300	149	203	09.03-12.04	*	
4.3	Gasolina	FWD	4300	149	203	09.98-12.04	*	
4.8 AWD (LY2)	Gasolina	4WD	4811	202	275	06.05-12.07	*	
5.3 AWD (LM7)	Gasolina	4WD	5328	201	273	10.99-12.07	*	
5.3 AWD (LM7)	Gasolina	4WD	5328	212	288	06.03-12.07	*	

# LISTA DE APLICACIONES - BUYERS GUIDE

<b>SILVERADO 1500 II 09.06-</b>						<b>Pick-up (Pick-Up Truck)</b>			
4.3 (LU3)		Gasolina	RWD	4300	145	197	01.12-	*	
4.3 (LU3)		Gasolina	RWD	4300	145	197	09.07-12.13	*	
4.3 (LU3)		Gasolina	RWD	4300	145	197	09.07-12.13	*	
4.3 (LU3)		Gasolina	RWD	4300	145	197	09.07-12.13	*	
4.3 4WD (LU3)		Gasolina	4WD	4300	145	197	09.07-12.13	*	
4.3 4WD (LU3)		Gasolina	4WD	4300	145	197	09.07-12.13	*	
4.3 4WD (LU3)		Gasolina	4WD	4300	145	197	09.07-12.13	*	
4.3 AWD (LU3)		Gasolina	4WD	4300	145	197	09.06-	*	
4.8 FlexFuel		Gasolina	FWD	4806	217	295	09.06-	*	
4.8 FlexFuel		Gasolina	FWD	4807	220	302	09.06-	*	
4.8 FlexFuel		Gasolina	FWD	4807	220	302	01.12-	*	
4.8 (LY2)		Gasolina	RWD	4811	220	299	09.07-12.09	*	
5.3 AWD (LH6(325CUV8))		Gasolina	4WD	5328	232	316	01.07-	*	
5.3 FlexFuel AWD (LMG)		Gasol./Etanol	4WD	5328	232	316	01.07-	*	
5.3 FLEX 4WD (LC9(325CUV8))		Gasol./Etanol	4WD	5328	235	320	09.06-12.09	*	
5.3 FLEX 4WD (LMG)		Gasol./Etanol	4WD	5328	235	320	09.06-12.09	*	
<b>SILVERADO 1500 III 09.13-</b>						<b>Pick-up (Pick-Up Truck)</b>			
5.3 4WD (L83(325CUV8))		Gasolina	4WD	5328	265	360	07.14-	*	
5.3 4WD (L83(325CUV8))		Gasolina	4WD	5328	265	360	07.14-	*	
5.3 4WD (L83(325CUV8))		Gasolina	4WD	5328	265	360	07.14-12.19	*	
6.2 4WD (L86)		Gasolina	4WD	6162	313	426	09.13-	*	
6.2 4WD (L86)		Gasolina	4WD	6162	313	426	09.13-	*	
<b>SUBURBAN XI (GMT 900) 01.05-</b>						<b>SUV (Pick-Up Truck)</b>			
5.3		Gasolina	FWD	5327	239	325	07.06-	*	
5.3 Flex		Gasolina	FWD	5327	239	325	01.12-	*	
5.3 (LMG)		Gasolina	RWD	5328	239	325	09.11-07.14	*	
5.3 (LY5(325CUV8))		Gasolina	RWD	5328	239	325	09.11-07.14	*	
5.3		Gasolina	FWD	5328	259	352	07.09-	*	
6.0		Gasolina	FWD	5964	263	358	07.06-	*	
6.0		Gasolina	FWD	5964	263	358	07.06-	*	
6.0		Gasolina	FWD	5964	273	371	07.06-	*	
5.3 Flex-Fuel 4WD (LMG)		Gasol./Etanol	4WD	5328	228	310	01.07-	*	
5.3 Flex AWD (LC9(325CUV8))		Gasol./Etanol	4WD	5328	239	325	01.12-	*	
5.3 Flex AWD (LMG)		Gasol./Etanol	4WD	5328	239	325	01.12-	*	
<b>SUBURBAN XI 1500 SUV 09.06-12.14</b>						<b>SUV (Pick-Up Truck)</b>			
5.3 (LC9(325CUV8))		Gasolina	RWD	5328	239	325	09.06-12.13	*	
5.3 (LY5(325CUV8))		Gasolina	RWD	5328	239	325	09.06-12.13	*	
5.3 Flexfuel 4WD (LMG)		Gasol./Etanol	4WD	5328	239	325	09.06-12.09	*	
5.3 Flexfuel (LC9(325CUV8))		Gasol./Etanol	RWD	5328	243	330	09.09-12.14	*	
5.3 Flexfuel (LMG)		Gasol./Etanol	RWD	5328	243	330	09.09-12.14	*	
5.3 Flexfuel 4WD (LC9(325CUV8))		Gasol./Etanol	4WD	5328	243	330	09.09-12.14	*	
5.3 Flexfuel 4WD (LMG)		Gasol./Etanol	4WD	5328	243	330	09.09-12.14	*	
<b>SUBURBAN XII (K2Y) 07.14-</b>						<b>SUV (Pick-Up Truck)</b>			
5.3 (L83(325CUV8))		Gasolina	RWD	5328	265	360	07.14-12.20	*	

# LISTA DE APLICACIONES - BUYERS GUIDE

5.3 4WD (L83(325CUV8))	Gasolina	4WD	5328	265	360	07.14-	*
5.3 Flexfuel	Gasolina	FWD	5328	265	360	07.14-	*
<b>SUV (Luxury Crossover SUV-J Segment)</b>							
<b>TAHOE III (GMT900) 01.07-07.14</b>							
5.3 (LY5(325CUV8))	Gasolina	RWD	5328	239	325	01.07-12.13	*
5.3 4WD (LC9(325CUV8))	Gasolina	4WD	5328	239	325	01.07-12.13	*
5.3 4WD (LMG)	Gasolina	4WD	5328	239	325	01.07-12.13	*
5.3 4WD (LY5(325CUV8))	Gasolina	4WD	5328	239	325	01.07-12.13	*
6.0 Flex/Hybrid 4WD (LZ1)	Gasol./etanol/eléc.	4WD	5967	248	337	09.09-12.13	*
5.3 Flexfuel 4WD (LC9(325CUV8))	Gasol./Etanol	4WD	5328	239	325	01.07-07.14	*
5.3 Flexfuel 4WD (LMG)	Gasol./Etanol	4WD	5328	239	325	01.07-07.14	*
6.0 Hybrid 4WD (LFA)	Gasol./eléc.	4WD	5967	248	337	09.07-12.12	*
<b>SUV (Luxury Crossover SUV-J Segment)</b>							
<b>TAHOE IV (K2UC) 07.14-</b>							
5.3 (LMG)	Gasolina	RWD	5328	265	360	07.14-12.20	*
5.3 4WD (LMG)	Gasolina	4WD	5328	265	360	07.14-12.20	*
6.2 4WD	Gasolina	4WD	6162	301	409	10.15-	*
6.2 (L86)	Gasolina	RWD	6162	313	426	01.18-	*
6.2 4WD (L86)	Gasolina	4WD	6162	313	426	01.18-	*
5.3 Flexfuel (L83(325CUV8))	Gasol./Etanol	RWD	5328	265	360	09.16-	*
<b>GMC</b>							
<b>Pick-up (Pick-Up Truck)</b>							
<b>SIERRA 01.07-</b>							
5.3 Hybrid	Gasolina	FWD	5328	232	315	01.08-	*
5.3 4x4	Gasolina	4WD	5328	235	320	01.08-12.09	*
6.2	Gasolina	FWD	6162	298	405	01.08-12.09	*
6.2 Flex-Fuel 4x4	Gasol./Etanol	4WD	6162	301	409	01.12-	*
6.6 TDiC	Diesel	RWD	6599	230	313	01.07-	*
6.6 TDiC	Diesel	RWD	6599	230	313	01.07-	*
<b>SUV (Luxury Crossover SUV-J Segment)</b>							
<b>YUKON (GMT900) 09.06-07.14</b>							
6.2 AWD	Gasolina	4WD	6162	279	379	01.07-07.14	*
6.2 4WD (L92)	Gasolina	4WD	6162	301	409	09.10-07.14	*