

# LISTA DE APLICACIONES - BUYERS GUIDE

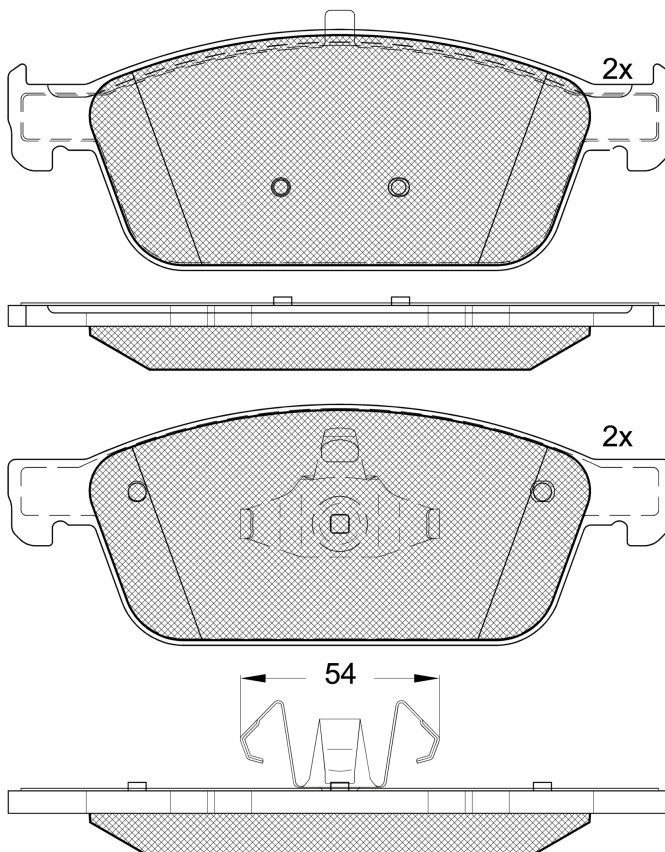
## RB2134



Qty: 300

Weight: 2.475

O.E.M.	MAKE
1 775 091	FORD
2 253 406	FORD
2 271 968	FORD
2 286 735	FORD
2 390 587	FORD
2 433 781	FORD
2 540 221	FORD
2039733	FORD
BV61-2K021-AC	FORD
BV61-2K021-AD	FORD
BV6Z-2001-C	FORD
EJ7Z-2001-B	FORD
EJ7Z-2001-C	FORD
FU2Z-2V001-C	FORD
KTKV6C-2K021-AA	FORD
KTKV6C-2K021-AB	FORD
KTKV6C-2K021-AC	FORD
KTKV6C-2K021-AD	FORD
KTKV6C-2K021-CA	FORD
MEBV6J-2K021-AA	FORD



## RB2134

**E 9 90R-02A0111/3764**



Ate - Teves

180.05x65.4x18.1

<b>WVA</b>	<b>FMSI</b>
25736	D1668-8896
25737	

Sin Filas



Trac.	CC	Kw	CV
-------	----	----	----



Front / Rear

### FORD

FOCUS III (C346) 07.10-	[CAMBIADO]:Fastback (Compact car-C Segment)						
1.5 EcoBoost (M8DA)	Gasolina	FWD	1498	110	150	09.14-12.17	*
1.5 EcoBoost (M8DB)	Gasolina	FWD	1498	110	150	09.14-12.17	*
1.5 EcoBoost (M9DA)	Gasolina	FWD	1498	134	182	09.14-12.17	*
1.5 EcoBoost (M9DB)	Gasolina	FWD	1498	134	182	09.14-12.17	*
1.5 EcoBoost (M9DA)	Gasolina	FWD	1499	132	179	05.15-12.17	*
1.5 EcoBoost (M9DB)	Gasolina	FWD	1499	132	179	05.15-12.17	*
1.6 Ti (XTDA)	Gasolina	FWD	1596	63	85	08.11-12.17	*
1.6 Ti (XTDB)	Gasolina	FWD	1596	63	85	08.11-12.17	*
2.0 ST	Gasolina	FWD	1997	186	253	09.13-	*
2.0 (XQDA)	Gasolina	FWD	1999	110	150	10.13-12.17	*
2.0 Ti-GDi (MGDA)	Gasolina	FWD	1999	125	170	08.11-02.20	*
2.0 ST (R9DA)	Gasolina	FWD	1999	184	250	07.12-12.17	*
2.0 ST (R9DB)	Gasolina	FWD	1999	184	250	07.12-12.17	*
2.0 ST (R9DC)	Gasolina	FWD	1999	184	250	07.12-12.17	*
2.0 ST (R9DD)	Gasolina	FWD	1999	184	250	07.12-12.17	*
2.0 ST	Gasolina	FWD	1999	188	256	09.12-	*
1.5 TDCi (XXDA)	Diesel	FWD	1499	70	95	09.14-04.18	*
1.5 TDCi (XXDC)	Diesel	FWD	1499	70	95	09.14-04.18	*
1.5 TDCi (XXDD)	Diesel	FWD	1499	70	95	09.14-04.18	*
1.5 TDCi ECOnetic (AEDA)	Diesel	FWD	1499	77	105	09.14-12.17	*
1.5 TDCi ECOnetic (XXDB)	Diesel	FWD	1499	77	105	09.14-12.17	*
1.5 TDCi (XWDA)	Diesel	FWD	1499	88	120	09.14-04.18	*
1.5 TDCi (XWDB)	Diesel	FWD	1499	88	120	09.14-04.18	*

# LISTA DE APLICACIONES - BUYERS GUIDE

1.5 TDCi (XWDC)		Diesel	FWD	1499	88	120	09.14-04.18	*	
1.5 TDCi (XWDD)		Diesel	FWD	1499	88	120	09.14-04.18	*	
1.5 TDCi (XWDE)		Diesel	FWD	1499	88	120	09.14-04.18	*	
2.0 TDCi (TYDA)		Diesel	FWD	1997	85	115	07.10-06.14	*	
2.0 TDCi (UKDB)		Diesel	FWD	1997	100	136	07.10-06.14	*	
2.0 TDCi (UFDB)		Diesel	FWD	1997	103	140	07.10-06.14	*	
2.0 TDCi (T7DA)		Diesel	FWD	1997	110	150	11.14-12.17	*	
2.0 TDCi (T7DB)		Diesel	FWD	1997	110	150	11.14-12.17	*	
2.0 TDCi (TXDB)		Diesel	FWD	1997	120	163	07.10-06.14	*	
2.0 TDCi		Diesel	RWD	1997	132	180	07.14-	*	
2.0 TDCi ST (T8DA)		Diesel	FWD	1997	136	185	11.14-12.17	*	
<b>FOCUS III 02.12-</b>							<b>[CAMBIADO]:Furgón/Break (Compact car-C Segment)</b>		
1.0 EcoBoost (M2DA)		Gasolina	FWD	998	74	100	02.12-02.20	*	
1.0 EcoBoost (M2DB)		Gasolina	FWD	998	74	100	02.12-02.20	*	
1.0 EcoBoost (M2DC)		Gasolina	FWD	998	74	100	02.12-02.20	*	
1.0 EcoBoost (SFDA)		Gasolina	FWD	998	74	100	02.12-02.20	*	
1.0 EcoBoost (SFDB)		Gasolina	FWD	998	74	100	02.12-02.20	*	
1.0 EcoBoost (M1DA)		Gasolina	FWD	998	92	125	02.12-02.20	*	
1.0 EcoBoost (M1DC)		Gasolina	FWD	998	92	125	02.12-02.20	*	
1.0 EcoBoost (M1DD)		Gasolina	FWD	998	92	125	02.12-02.20	*	
1.5 EcoBoost (M8DA)		Gasolina	FWD	1498	110	150	09.14-02.20	*	
1.5 EcoBoost (M8DB)		Gasolina	FWD	1498	110	150	09.14-02.20	*	
1.5 EcoBoost (M8DD)		Gasolina	FWD	1498	110	150	09.14-02.20	*	
1.5 EcoBoost (M8DE)		Gasolina	FWD	1498	110	150	09.14-02.20	*	
1.5 EcoBoost (M9DA)		Gasolina	FWD	1498	134	182	09.14-02.20	*	
1.5 EcoBoost (M9DB)		Gasolina	FWD	1498	134	182	09.14-02.20	*	
1.5 TDCi (XXDA)		Diesel	FWD	1499	70	95	09.14-02.20	*	
1.5 TDCi (XXDC)		Diesel	FWD	1499	70	95	09.14-02.20	*	
1.5 TDCi ECOnetic (XXDB)		Diesel	FWD	1499	77	105	09.14-02.20	*	
1.5 TDCi (XWDA)		Diesel	FWD	1499	88	120	09.14-02.20	*	
1.5 TDCi (XWDB)		Diesel	FWD	1499	88	120	09.14-02.20	*	
1.5 TDCi (XWDC)		Diesel	FWD	1499	88	120	09.14-02.20	*	
1.5 TDCi (XWDD)		Diesel	FWD	1499	88	120	09.14-02.20	*	
2.0 TDCi (T7DA)		Diesel	FWD	1997	110	150	11.14-02.20	*	
2.0 TDCi (T7DB)		Diesel	FWD	1997	110	150	11.14-02.20	*	
<b>FOCUS III (C346) 01.11-</b>							<b>Furgón/hatchback (Compact car-C Segment)</b>		
1.0 EcoBoost (M2DA)		Gasolina	FWD	998	74	100	02.12-12.17	*	
1.0 EcoBoost (M2DB)		Gasolina	FWD	998	74	100	02.12-12.17	*	
1.0 EcoBoost (M2DC)		Gasolina	FWD	998	74	100	02.12-12.17	*	
1.0 EcoBoost (SFDA)		Gasolina	FWD	998	74	100	02.12-12.17	*	
1.0 EcoBoost (SFDB)		Gasolina	FWD	998	74	100	02.12-12.17	*	
1.0 EcoBoost (M1DA)		Gasolina	FWD	998	92	125	02.12-12.17	*	
1.0 EcoBoost (M1DC)		Gasolina	FWD	998	92	125	02.12-12.17	*	
1.0 EcoBoost (M1DD)		Gasolina	FWD	998	92	125	02.12-12.17	*	
1.5 EcoBoost (M8DA)		Gasolina	FWD	1498	110	150	09.14-12.17	*	
1.5 EcoBoost (M8DB)		Gasolina	FWD	1498	110	150	09.14-12.17	*	
1.5 EcoBoost (M9DA)		Gasolina	FWD	1498	134	182	09.14-12.17	*	
1.5 EcoBoost (M9DB)		Gasolina	FWD	1498	134	182	09.14-12.17	*	
1.5 TDCi (XXDA)		Diesel	FWD	1499	70	95	09.14-12.17	*	
1.5 TDCi (XXDC)		Diesel	FWD	1499	70	95	09.14-12.17	*	

# LISTA DE APLICACIONES - BUYERS GUIDE

1.5 TDCi (XXDD)		Diesel	FWD	1499	70	95	09.14-12.17	*
1.5 TDCi ECONetic (AEDA)		Diesel	FWD	1499	77	105	09.14-12.17	*
1.5 TDCi ECONetic (XXDB)		Diesel	FWD	1499	77	105	09.14-12.17	*
1.5 TDCi (XWDA)		Diesel	FWD	1499	88	120	09.14-12.17	*
1.5 TDCi (XWDB)		Diesel	FWD	1499	88	120	09.14-12.17	*
1.5 TDCi (XWDC)		Diesel	FWD	1499	88	120	09.14-12.17	*
1.5 TDCi (XWDD)		Diesel	FWD	1499	88	120	09.14-12.17	*
1.5 TDCi (XWDE)		Diesel	FWD	1499	88	120	09.14-12.17	*
1.6 TDCi (T1DA)		Diesel	FWD	1560	85	115	02.12-12.17	*
1.6 TDCi (T1DB)		Diesel	FWD	1560	85	115	02.12-12.17	*
2.0 TDCi (T7DA)		Diesel	FWD	1997	110	150	11.14-12.17	*
2.0 TDCi (T7DB)		Diesel	FWD	1997	110	150	11.14-12.17	*
<b>FOCUS III (C346) 07.10-</b>					<b>Sedán (Compact car-C Segment)</b>			
1.5 EcoBoost (M8DA)		Gasolina	FWD	1498	110	150	11.14-02.20	*
1.5 EcoBoost (M8DB)		Gasolina	FWD	1498	110	150	11.14-02.20	*
1.5 EcoBoost (M9DA)		Gasolina	FWD	1498	134	182	11.14-02.20	*
1.5 EcoBoost (M9DB)		Gasolina	FWD	1498	134	182	11.14-02.20	*
1.5 EcoBoost (M9DA)		Gasolina	FWD	1499	132	179	05.15-02.20	*
1.5 EcoBoost (M9DB)		Gasolina	FWD	1499	132	179	05.15-02.20	*
1.6 Ti (XTDA)		Gasolina	FWD	1596	63	85	08.11-02.20	*
1.6 Ti (XTDB)		Gasolina	FWD	1596	63	85	08.11-02.20	*
1.6 Flex		Gasolina	FWD	1596	99	135	01.14-	*
2.0 (XQDA)		Gasolina	FWD	1999	110	150	10.13-02.20	*
2.0		Gasolina	FWD	1999	119	162	08.11-02.20	*
2.0 Flex		Gasolina	FWD	1999	119	162	09.12-	*
2.0 GDI (MGDA)		Gasolina	FWD	1999	125	170	08.11-02.20	*
1.5 TDCi (XXDA)		Diesel	FWD	1499	70	95	11.14-02.20	*
1.5 TDCi (XXDC)		Diesel	FWD	1499	70	95	11.14-02.20	*
1.5 TDCi (XXDD)		Diesel	FWD	1499	70	95	11.14-02.20	*
1.5 TDCi ECONetic (AEDA)		Diesel	FWD	1499	77	105	11.14-02.20	*
1.5 TDCi ECONetic (XXDB)		Diesel	FWD	1499	77	105	11.14-02.20	*
1.5 TDCi (XWDA)		Diesel	FWD	1499	88	120	11.14-02.20	*
1.5 TDCi (XWDB)		Diesel	FWD	1499	88	120	11.14-02.20	*
1.5 TDCi (XWDC)		Diesel	FWD	1499	88	120	11.14-02.20	*
1.5 TDCi (XWDD)		Diesel	FWD	1499	88	120	11.14-02.20	*
1.5 TDCi (XWDE)		Diesel	FWD	1499	88	120	11.14-02.20	*
2.0 TDCi (TYDA)		Diesel	FWD	1997	85	115	07.10-06.14	*
2.0 TDCi (UKDB)		Diesel	FWD	1997	100	136	07.10-06.14	*
2.0 TDCi (UFDB)		Diesel	FWD	1997	103	140	07.10-06.14	*
2.0 TDCi (T7DA)		Diesel	FWD	1997	110	150	11.14-02.20	*
2.0 TDCi (T7DB)		Diesel	FWD	1997	110	150	11.14-02.20	*
2.0 TDCi (TXDB)		Diesel	FWD	1997	120	163	07.10-06.14	*
2.0 TDCi		Diesel	RWD	1997	132	180	07.14-	*
<b>FOCUS III Turnier (C346) 07.10-</b>					<b>[CAMBIADO]:Break (Compact car-C Segment)</b>			
1.5 EcoBoost (M8DA)		Gasolina	FWD	1498	110	150	09.14-02.20	*
1.5 EcoBoost (M8DB)		Gasolina	FWD	1498	110	150	09.14-02.20	*
1.5 EcoBoost (M9DA)		Gasolina	FWD	1498	134	182	09.14-02.20	*
1.5 EcoBoost (M9DB)		Gasolina	FWD	1498	134	182	09.14-02.20	*
1.6 Ti (XTDA)		Gasolina	FWD	1596	63	85	08.11-02.20	*
1.6 Ti (XTDB)		Gasolina	FWD	1596	63	85	08.11-02.20	*

# LISTA DE APLICACIONES - BUYERS GUIDE

2.0 (XQDA)		Gasolina	FWD	1999	110	150	10.13-02.20	*
2.0 Ti-GDi (MGDA)		Gasolina	FWD	1999	125	170	07.10-02.20	*
2.0 ST (R9DA)		Gasolina	FWD	1999	184	250	07.12-02.20	*
2.0 ST (R9DB)		Gasolina	FWD	1999	184	250	07.12-02.20	*
2.0 ST (R9DC)		Gasolina	FWD	1999	184	250	07.12-02.20	*
2.0 ST (R9DD)		Gasolina	FWD	1999	184	250	07.12-02.20	*
1.5 TDCi (XXDA)		Diesel	FWD	1499	70	95	09.14-02.20	*
1.5 TDCi (XXDC)		Diesel	FWD	1499	70	95	09.14-02.20	*
1.5 TDCi ECOnetic (XXDB)		Diesel	FWD	1499	77	105	09.14-02.20	*
1.5 TDCi ECOnetic		Diesel	FWD	1499	77	105	09.15-	*
1.5 TDCi (XWDA)		Diesel	FWD	1499	88	120	09.14-02.20	*
1.5 TDCi (XWDB)		Diesel	FWD	1499	88	120	09.14-02.20	*
1.5 TDCi (XWDC)		Diesel	FWD	1499	88	120	09.14-02.20	*
1.5 TDCi (XWDD)		Diesel	FWD	1499	88	120	09.14-02.20	*
1.5 TDCi (XWDE)		Diesel	FWD	1499	88	120	09.14-02.20	*
2.0 TDCi (TYDA)		Diesel	FWD	1997	85	115	07.10-06.14	*
2.0 TDCi (UKDB)		Diesel	FWD	1997	100	136	07.10-06.14	*
2.0 TDCi (UFDB)		Diesel	FWD	1997	103	140	07.10-06.14	*
2.0 TDCi (T7DA)		Diesel	FWD	1997	110	150	11.14-02.20	*
2.0 TDCi (T7DB)		Diesel	FWD	1997	110	150	11.14-02.20	*
2.0 TDCi (TXDB)		Diesel	FWD	1997	120	163	07.10-06.14	*
2.0 TDCi ST (T8DA)		Diesel	FWD	1997	136	185	11.14-02.20	*
<b>KA+ III (UK, FK) 08.14-</b>					<b>[CAMBIADO]:Fastback (Supermini car-B Segment)</b>			
1.0 Flex		Gasolina	FWD	997	63	86	08.14-	*
1.2 Ti-VCT		Gasolina	FWD	1196	65	88	09.15-	*
1.5 Flex		Gasolina	FWD	1499	81	110	08.14-	*
1.5 (UEJB)		Gasolina	FWD	1499	82	112	09.15-01.18	*
<b>KA+ III (TK, FK) 08.14-</b>					<b>Sedán (Supermini car-B Segment)</b>			
1.0 Flex		Gasolina	FWD	997	63	86	08.14-	*
1.2		Gasolina	FWD	1196	65	88	09.15-01.18	*
1.5 Flex		Gasolina	FWD	1499	81	110	08.14-	*
1.5 (UEJB)		Gasolina	FWD	1499	82	112	09.15-01.18	*
<b>KUGA II / ESCAPE III 05.12-</b>					<b>Furgoneta/SUV (Compact SUV-J Segment)</b>			
1.5 EcoBoost 4x4		Gasolina	4WD	1499	129	176	06.19-12.19	*
1.5 EcoBoost 4x4 (M9MA)		Gasolina	4WD	1499	134	182	09.14-12.19	*
1.5 TDCi (XWMB)		Diesel	FWD	1499	88	120	01.19-12.19	*
1.5 TDCi (XWMC)		Diesel	FWD	1499	88	120	01.19-12.19	*
2.0 TDCi (XRMA)		Diesel	FWD	1997	88	120	09.14-12.19	*
2.0 TDCi (XRMB)		Diesel	FWD	1997	88	120	09.14-12.19	*
2.0 TDCi		Diesel	FWD	1997	103	140	06.12-12.19	*
2.0 TDCi (T7MA)		Diesel	FWD	1997	110	150	09.14-12.19	*
2.0 TDCi (T7MB)		Diesel	FWD	1997	110	150	09.14-12.19	*
2.0 TDCi 4x4 (T7MA)		Diesel	4WD	1997	110	150	09.14-12.19	*
2.0 TDCi 4x4 (T7MB)		Diesel	4WD	1997	110	150	09.14-12.19	*
2.0 TDCi 4x4 (T8MA)		Diesel	4WD	1998	132	180	09.14-12.19	*
2.0 TDCi 4x4 (T8MB)		Diesel	4WD	1998	132	180	09.14-12.19	*
<b>KUGA II / ESCAPE III (DM2) 05.12-</b>					<b>SUV (Compact SUV-J Segment)</b>			
1.5 EcoBoost 4x4 (M8MA)		Gasolina	4WD	1499	110	150	07.16-12.19	*
1.5 EcoBoost 4x4		Gasolina	4WD	1499	129	176	08.18-06.19	*

# LISTA DE APLICACIONES - BUYERS GUIDE

1.5 EcoBoost		Gasolina	FWD	1499	132	180	10.15-	*
1.5 EcoBoost 4x4		Gasolina	4WD	1499	132	180	10.15-12.19	*
1.5 EcoBoost 4x4 (M9MA)		Gasolina	4WD	1499	134	182	09.14-06.18	*
1.6 EcoBoost 4x4 (JQMA)		Gasolina	4WD	1596	110	150	03.13-09.14	*
1.6 EcoBoost 4x4 (JQMB)		Gasolina	4WD	1596	110	150	03.13-09.14	*
1.6 EcoBoost 4x4 (JTMA)		Gasolina	4WD	1596	132	179	10.12-12.19	*
1.6 EcoBoost 4x4 (JTMA)		Gasolina	4WD	1596	134	182	03.13-09.14	*
1.6		Gasolina	FWD	1601	133	181	03.13-	*
2.0 EcoBoost 4x4		Gasolina	4WD	1999	169	230	03.19-12.19	*
2.0 4x4		Gasolina	4WD	1999	177	240	05.13-05.17	*
2.0 EcoBoost 4x4 (R9MA)		Gasolina	4WD	1999	178	242	08.17-06.18	*
2.0 4x4		Gasolina	4WD	1999	179	243	03.13-06.16	*
2.0 4x4		Gasolina	4WD	1999	180	245	08.17-	*
1.5 TDCi (XWMB)		Diesel	FWD	1499	88	120	07.16-06.19	*
1.5 TDCi (XWMC)		Diesel	FWD	1499	88	120	07.16-06.19	*
2.0 TDCi (TYMA)		Diesel	FWD	1997	85	115	03.13-12.19	*
2.0 TDCi (XRMA)		Diesel	FWD	1997	88	120	09.14-06.19	*
2.0 TDCi (XRMB)		Diesel	FWD	1997	88	120	09.14-06.19	*
2.0 TDCi (UKMA)		Diesel	FWD	1997	100	136	03.13-12.19	*
2.0 TDCi 4x4 (UKMA)		Diesel	4WD	1997	100	136	03.13-12.19	*
2.0 TDCi (UFMA)		Diesel	FWD	1997	103	140	03.13-09.14	*
2.0 TDCi 4x4 (UFMA)		Diesel	4WD	1997	103	140	03.13-09.14	*
2.0 TDCi (T7MA)		Diesel	FWD	1997	110	150	09.14-06.19	*
2.0 TDCi (T7MB)		Diesel	FWD	1997	110	150	09.14-06.19	*
2.0 TDCi (T7MC)		Diesel	FWD	1997	110	150	09.14-06.19	*
2.0 TDCi (T7MD)		Diesel	FWD	1997	110	150	09.14-06.19	*
2.0 TDCi 4x4 (T7MA)		Diesel	4WD	1997	110	150	09.14-06.19	*
2.0 TDCi 4x4 (T7MB)		Diesel	4WD	1997	110	150	09.14-06.19	*
2.0 TDCi 4x4 (TXDA)		Diesel	4WD	1997	120	163	03.13-09.14	*
2.0 TDCi 4x4 (TXMA)		Diesel	4WD	1997	120	163	03.13-09.14	*
2.0 TDCi 4x4 (T8MA)		Diesel	4WD	1997	132	180	09.14-06.19	*
2.0 TDCi 4x4 (T8MB)		Diesel	4WD	1997	132	180	09.14-06.19	*
<b>TOURNEO CONNECT II / GRAND TOURNEO CONNECT V408 09.13-</b>				<b>MPV (Large MPV-M1 Segment)</b>				
1.0 EcoBoost (B3GA)		Gasolina	FWD	998	74	100	11.13-12.22	*
1.0 EcoBoost (M2GA)		Gasolina	FWD	998	74	100	11.13-12.22	*
1.0 EcoBoost (M2GB)		Gasolina	FWD	998	74	100	11.13-12.22	*
1.6 EcoBoost (JQGA)		Gasolina	FWD	1596	110	150	11.13-12.22	*
1.5 EcoBlue (BEGA)		Diesel	FWD	1499	55	75	05.18-12.22	*
1.5 TDCi (XUGA)		Diesel	FWD	1499	55	75	05.15-12.22	*
1.5 TDCi		Diesel	FWD	1499	70	95	08.16-12.22	*
1.5 EcoBlue (Z2GA)		Diesel	FWD	1499	74	101	05.18-12.22	*
1.5 TDCi (XVGA)		Diesel	FWD	1499	74	101	05.15-12.22	*
1.5 TDCi (XVGB)		Diesel	FWD	1499	74	101	05.15-12.22	*
1.5 TDCi (XVGC)		Diesel	FWD	1499	74	101	05.15-12.22	*
1.5 TDCi (XXGA)		Diesel	FWD	1499	74	101	05.15-12.22	*
1.5 EcoBlue (ZTGA)		Diesel	FWD	1499	88	120	05.18-12.22	*
1.5 TDCi (XWGA)		Diesel	FWD	1499	88	120	05.15-12.22	*
1.5 TDCi (XWGB)		Diesel	FWD	1499	88	120	05.15-12.22	*
1.5 TDCi (XWGC)		Diesel	FWD	1499	88	120	05.15-12.22	*
1.6 TDCi (UBGA)		Diesel	FWD	1560	55	75	09.13-12.22	*
1.6 TDCi (TZGA)		Diesel	FWD	1560	70	95	09.13-12.22	*

# LISTA DE APLICACIONES - BUYERS GUIDE

1.6 TDCi (TZGB)		Diesel	FWD	1560	70	95	09.13-12.22	*	
1.6 TDCi (T1GA)		Diesel	FWD	1560	85	115	09.13-12.22	*	
<b>TRANSIT CONNECT II 09.13-</b>					<b>MPV (Large MPV-M1 Segment)</b>				
1.6 EcoBoost		Gasolina	FWD	1596	110	150	02.13-	*	
Wagon 1.6 EcoBoost		Gasolina	FWD	1596	133	181	09.13-	*	
2.5 Duratec		Gasolina	FWD	2488	126	171	09.13-	*	
2.5 LPG		Gasol./Gas (LPG)	FWD	2488	126	171	09.13-	*	
2.5 CNG		Gasol./Gas (CNG)	FWD	2488	126	171	09.13-	*	
1.5 EcoBlue (BEGA)		Diesel	FWD	1499	55	75	05.18-	*	
1.5 TDCi (XUGA)		Diesel	FWD	1499	55	75	08.15-	*	
1.5 EcoBlue (Z2GA)		Diesel	FWD	1499	74	101	05.18-	*	
1.5 TDCi (XVGA)		Diesel	FWD	1499	74	101	05.15-	*	
1.5 TDCi (XVGB)		Diesel	FWD	1499	74	101	05.15-	*	
1.5 TDCi (XVGC)		Diesel	FWD	1499	74	101	05.15-	*	
1.5 TDCi (XXGA)		Diesel	FWD	1499	74	101	05.15-	*	
1.5 EcoBlue (ZTGA)		Diesel	FWD	1499	88	120	05.18-	*	
1.5 TDCi (XWGA)		Diesel	FWD	1499	88	120	05.15-	*	
1.5 TDCi (XWGB)		Diesel	FWD	1499	88	120	05.15-	*	
1.5 TDCi (XWGC)		Diesel	FWD	1499	88	120	05.15-	*	
1.6 TDCi (UBGA)		Diesel	FWD	1560	55	75	09.13-	*	
1.6 TDCi (TZGA)		Diesel	FWD	1560	70	95	09.13-	*	
1.6 TDCi (TZGB)		Diesel	FWD	1560	70	95	09.13-	*	
1.6 TDCi (T1GA)		Diesel	FWD	1560	85	115	09.13-	*	
<b>TRANSIT CONNECT II V408 09.13-</b>					<b>Furgoneta/MPV (LCVs-N1 Segment)</b>				
1.0 EcoBoost (B3GA)		Gasolina	FWD	998	74	100	09.13-	*	
1.0 EcoBoost (M2GA)		Gasolina	FWD	998	74	100	09.13-	*	
1.0 EcoBoost (M2GB)		Gasolina	FWD	998	74	100	09.13-	*	
1.6 EcoBoost (JQGA)		Gasolina	FWD	1596	110	150	11.13-	*	
1.6 EcoBoost (JQGA)		Gasolina	FWD	1596	133	181	09.13-	*	
2.5 Duratec		Gasolina	FWD	2488	126	171	09.13-	*	
2.5 LPG		Gasol./Gas (LPG)	FWD	2488	126	171	09.13-12.23	*	
2.5 CNG		Gasol./Gas (CNG)	FWD	2488	126	171	09.13-12.23	*	
1.0 Flexifuel		Gasol./Etanol	FWD	999	74	100	05.21-	*	
1.5 EcoBlue (BEGA)		Diesel	FWD	1499	55	75	05.18-	*	
1.5 TDCi (XUGA)		Diesel	FWD	1499	55	75	08.15-	*	
1.5 TDCi		Diesel	FWD	1499	70	95	03.16-	*	
1.5 EcoBlue (Z2GA)		Diesel	FWD	1499	74	101	05.18-	*	
1.5 TDCi (XVGA)		Diesel	FWD	1499	74	101	05.15-	*	
1.5 TDCi (XVGB)		Diesel	FWD	1499	74	101	05.15-	*	
1.5 TDCi (XVGC)		Diesel	FWD	1499	74	101	05.15-	*	
1.5 TDCi (XXGA)		Diesel	FWD	1499	74	101	05.15-	*	
1.5 EcoBlue (ZTGA)		Diesel	FWD	1499	88	120	05.18-	*	
1.5 TDCi (XWGA)		Diesel	FWD	1499	88	120	05.15-	*	
1.5 TDCi (XWGB)		Diesel	FWD	1499	88	120	05.15-	*	
1.5 TDCi (XWGC)		Diesel	FWD	1499	88	120	05.15-	*	
1.6 TDCi (UBGA)		Diesel	FWD	1560	55	75	09.13-	*	
1.6 TDCi (TZGA)		Diesel	FWD	1560	70	95	09.13-	*	

# LISTA DE APLICACIONES - BUYERS GUIDE

1.6 TDCi (TZGB)	Diesel	FWD	1560	70	95	09.13-	*
1.6 TDCi (T1GA)	Diesel	FWD	1560	85	115	09.13-	*
<b>FORD (CHANGAN)</b>							
<b>KUGA 01.13-</b>				<b>SUV (Compact SUV-J Segment)</b>			
1.5 GTDi AWD	Gasolina	4WD	1499	133	181	01.15-	*
1.6 GTDi	Gasolina	FWD	1596	130	177	01.13-	*
2.0 GTDi	Gasolina	FWD	1998	178	242	01.13-	*
2.0 AWD (CAF488WQ9)	Gasolina	4WD	1999	180	245	09.16-	*
<b>FORD AUSTRALIA</b>							
<b>ESCAPE III (ZG) 09.16-</b>				<b>SUV (Compact SUV-J Segment)</b>			
1.5 EcoBoost AWD (M9MA)	Gasolina	4WD	1499	134	182	09.16-03.20	*
2.0 AWD (TPWA)	Gasolina	4WD	1999	178	242	09.16-03.20	*
2.0 TDCi AWD (T8MA,T8MB)	Diesel	4WD	1998	132	180	09.16-03.20	*
<b>FOCUS (LW) 08.11-</b>				<b>[CAMBIADO]:Fastback (Compact car-C Segment)</b>			
2.0	Gasolina	FWD	1998	184	250	08.12-	*
2.0 ST (R9DA)	Gasolina	FWD	1999	184	250	05.15-	*
<b>KUGA (TE) 01.11-11.14</b>				<b>[CAMBIADO]:Fastback (Compact SUV-J Segment)</b>			
2.0 D	Diesel	RWD	1998	120	163	04.13-	*
<b>KUGA II (TF) 04.13-08.16</b>				<b>[CAMBIADO]:Fastback (Compact SUV-J Segment)</b>			
2.0 TDCi	Diesel	RWD	1998	132	180	11.14-	*
<b>TRANSIT (VO) 09.14-</b>				<b>[CAMBIADO]:Furgón (LCVs-N1 Segment)</b>			
2.2 TDCi	Diesel	RWD	2198	114	155	09.14-	*
<b>TRANSIT (VO) 09.14-</b>				<b>Caja/Chasis (LCVs-N1 Segment)</b>			
2.2 TDCi	Diesel	RWD	2198	114	155	09.14-	*
<b>LINCOLN</b>							
<b>MKC 03.14-</b>				<b>SUV (Compact SUV-J Segment)</b>			
2.0	Gasolina	FWD	1999	149	203	10.14-	*
2.0 AWD	Gasolina	4WD	1999	149	203	10.14-	*
2.0	Gasolina	FWD	1999	179	243	03.14-	*
2.0 AWD	Gasolina	4WD	1999	179	243	03.14-	*
2.0	Gasolina	FWD	1999	183	248	06.16-	*
2.0 AWD	Gasolina	4WD	1999	183	248	10.14-	*
2.0	Gasolina	FWD	1999	186	253	10.14-	*
2.0 AWD	Gasolina	4WD	1999	186	253	10.14-	*
2.3 AWD	Gasolina	4WD	2261	210	286	11.16-	*
2.3 (C23HD0D)	Gasolina	FWD	2261	213	290	03.14-	*
2.3 AWD	Gasolina	4WD	2261	213	290	03.14-	*