

LISTA DE APLICACIONES - BUYERS GUIDE

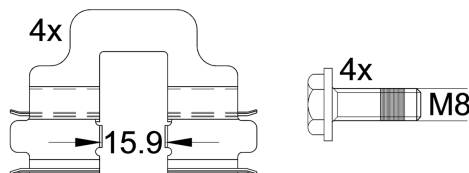
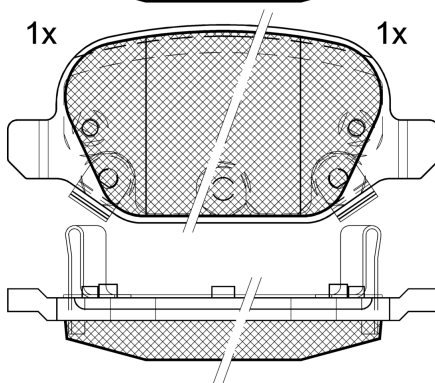
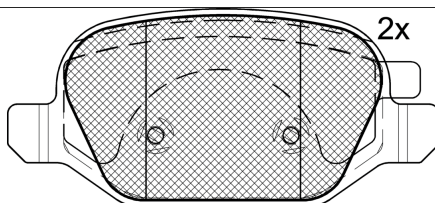
RB2128



Qty: 944

Weight: 845

O.E.M.	MAKE
6 808 891 9AA	FIAT
6 808 891 9AB	FIAT
6 820 612 0AA	FIAT
7 736 638 8	FIAT
7 736 645 3	FIAT
7 736 649 1	FIAT
7 736 751 4	FIAT
K6808-8919-AB	FIAT



1-Ref. 690268 E

RB2128

E 9 90R-02A0110/3612



Trw

95.5x43.9x14.4

WVA	FMSI
25410	D1569-8778
25411	D1744-8778
25412	D2142-9382
25651	

Sin Filas



Trac.	CC	Kw	CV	Front / Rear
-------	----	----	----	--------------

FIAT

						[CAMBIADO]:Fastback (City car-A Segment)				
500 II (312_) 07.07-										
1.4 (312AXC1B, 312CXC1B) (169 A3.000)		Gasolina	FWD	1368	74	100	10.07-		*	
1.4 Turbo (312AXD1A) (EAF,EAM)		Gasolina	FWD	1368	101	137	09.13-		*	
Electric (EV) (E99)		Eléctrico	FWD		83	113	09.12-		*	
500 C II (312_) 09.09-						Cabrío (City car-A Segment)				
E (E99)		Eléctrico	FWD	0	83	113	09.12-		*	
500X (334_) 09.14-						SUV (Compact SUV-J Segment)				
1.0 (334.AXN1B) (552 82 151)		Gasolina	FWD	999	88	120	09.18-		*	
1.3 (334.AXR11) (552 82 328)		Gasolina	FWD	1332	110	150	09.18-		*	
1.4 (334AXC1B) (552 63 624)		Gasolina	FWD	1368	100	136	09.14-		*	
1.4 (334AXC1B, 334AXC11) (552 63 624)		Gasolina	FWD	1368	103	140	09.14-		*	
1.4		Gasolina	FWD	1368	120	163	05.15-		*	
1.4 4x4 (334AXF22) (552 63 623)		Gasolina	4WD	1368	120	163	02.15-09.18		*	
1.4 4x4 (334AXF22) (552 63 623)		Gasolina	4WD	1368	125	170	02.15-		*	
1.6 (334AXE1A) (552 63 842)		Gasolina	FWD	1598	81	110	11.14-09.20		*	
2.4		Gasolina	FWD	2360	134	182	05.15-		*	
2.4 (334AX)		Gasolina	FWD	2360	134	182	05.15-12.18		*	
2.4 4x4 (334AX) (ED6)		Gasolina	4WD	2360	135	184	05.15-		*	
2.4 (334AX) (ED6)		Gasolina	FWD	2360	138	188	01.16-		*	
1.4 LPG (334AXL1B) (552 77 701)		Gasol./Gas (LPG)	FWD	1368	88	120	03.17-09.18		*	
1.3 D Multijet (334AXH1A) (552 66 963)		Diesel	FWD	1248	70	95	11.14-		*	
1.3 D Multijet (334AXH1A) (552 83 775)		Diesel	FWD	1248	70	95	11.14-		*	
1.6 D Multijet (334AXA1B, 334AXA11) (552 60 384)		Diesel	FWD	1598	84	114	09.14-		*	

LISTA DE APLICACIONES - BUYERS GUIDE

1.6 D Multijet (334AXA1B, 334AXA11) (552 80 444)	Diesel	FWD	1598	84	114	09.14-	*
1.6 D Multijet (334AXA1B, 334AXA11) (552 60 384)	Diesel	FWD	1598	88	120	09.14-	*
1.6 D Multijet (334AXA1B, 334AXA11) (552 80 444)	Diesel	FWD	1598	88	120	09.14-	*
2.0 D Multijet 4x4 (334AXB22, 334AXD2B) (552 63 087)	Diesel	4WD	1956	100	136	09.14-09.18	*
2.0 D Multijet 4x4 (334AXB22, 334AXD2B) (552 63 088)	Diesel	4WD	1956	100	136	09.14-09.18	*
2.0 D Multijet 4x4 (334AXB22, 334AXD2B) (552 83 099)	Diesel	4WD	1956	100	136	09.14-09.18	*
2.0 D Multijet 4x4 (334AXB22, 334AXD2B) (552 63 087)	Diesel	4WD	1956	103	140	09.14-09.18	*
2.0 D Multijet 4x4 (334AXB22, 334AXD2B) (552 63 088)	Diesel	4WD	1956	103	140	09.14-09.18	*
2.0 D Multijet 4x4 (334AXB22, 334AXD2B) (552 63 088)	Diesel	4WD	1956	110	150	09.18-09.20	*
PANDA III (312_, 319_) 02.12-						[CAMBIADO]:Fastback (City car-A Segment)	
0.9 4x4 (312PXG1A) (312 A2.000)	Gasolina	4WD	875	63	86	09.12-	*
0.9 4x4 (312PXR2B) (312 A2.000)	Gasolina	4WD	875	66	90	06.14-	*
0.9 4x4 (312PXR2B) (312 A7.000)	Gasolina	4WD	875	66	90	06.14-	*
1.3 D Multijet 4x4 (312PXU1A) (199 A1.000)	Diesel	4WD	1248	55	75	06.12-	*
1.3 D Multijet 4x4 (312PXU1A) (199 A9.000)	Diesel	4WD	1248	55	75	06.12-	*
1.3 D Multijet 4x4 (312PXU1A) (199 A9.000)	Diesel	4WD	1248	59	80	06.14-	*
1.3 D Multijet 4x4 (312PXU1A) (225 A2.000)	Diesel	4WD	1248	59	80	06.14-	*
1.3 D Multijet 4x4 (312PXU1A) (312 A8.000)	Diesel	4WD	1248	59	80	06.14-	*
1.3 D Multijet 4x4 (312PXU1A) (312 B2.000)	Diesel	4WD	1248	59	80	06.14-	*
1.3 D Multijet (312PXU1A, 312PXW1A) (199 B1.000)	Diesel	FWD	1248	70	95	04.15-	*
1.3 D Multijet (312PXU1A, 312PXW1A) (312 B1.000)	Diesel	FWD	1248	70	95	04.15-	*
1.3 D Multijet (312PXU1A, 312PXW1A) (330 A1.000)	Diesel	FWD	1248	70	95	04.15-	*
1.3 D Multijet 4x4 (312PXU1A) (199 B1.000)	Diesel	4WD	1248	70	95	04.15-	*
1.3 D Multijet 4x4 (312PXU1A) (312 B1.000)	Diesel	4WD	1248	70	95	04.15-	*
1.3 D Multijet 4x4 (312PXU1A) (330 A1.000)	Diesel	4WD	1248	70	95	04.15-	*
PANDA III VAN (312_, 519_) 02.12-						Furgón/hatchback (LCVs-N1 Segment)	
0.9 4x4 (312CXG2B) (312 A2.000)	Gasolina	4WD	875	63	86	09.12-	*
1.3 D Multijet 4x4 (312CXL2A) (199 A9.000)	Diesel	4WD	1248	55	75	06.12-	*
1.3 D Multijet 4x4 (312PXU1A) (225 A2.000)	Diesel	4WD	1248	59	80	06.14-	*