

# LISTA DE APLICACIONES - BUYERS GUIDE

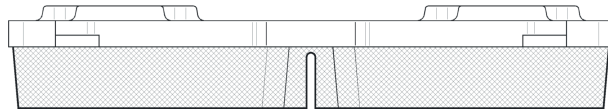
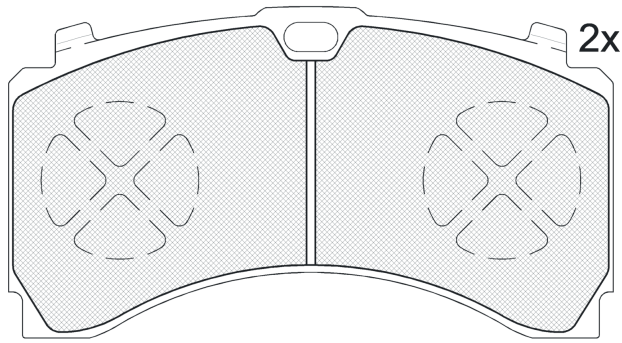
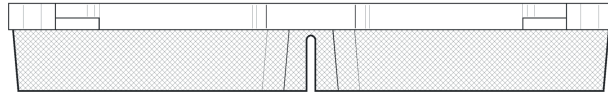
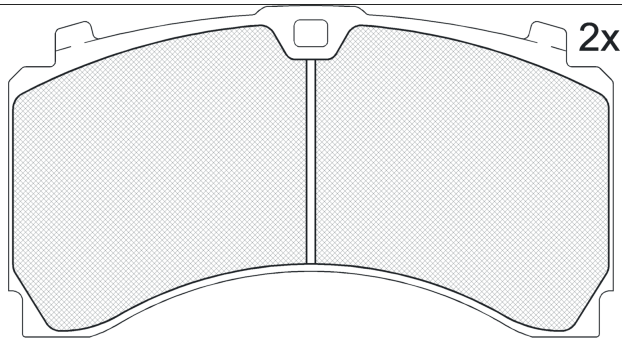
## RB2123



Qty: 660

Weight: 9.635

O.E.M.	MAKE
001 423 12 10	MERCEDES-BENZ
006 420 15 20	MERCEDES-BENZ
006 420 53 20	MERCEDES-BENZ



## RB2123

**E 9** 90R-02A0178/3284



Knorr SL 7 ProTechS

207.4x113.6x30

WVA
29244
29245
29298
29299
29351

Sin Filas



Trac.	CC	Kw	CV
-------	----	----	----



Front / Rear

### MERCEDES-BENZ

							Cabeza tractora	
<b>ACTROS MP2 / MP3 10.02-</b>								
4165 S		Diesel		15928	480	653	08.08-	*
<b>ACTROS MP2 / MP3 10.02-</b>							Caja/Chasis	
4141 (OM 541.944)		Diesel		11946	300	408	06.08-	*
<b>ACTROS MP2 / MP3 10.02-</b>							Camión volquete	
5048 AK (OM 541.949)		Diesel		11946	350	476	06.08-	*
<b>ACTROS MP4 / MP5 07.11-</b>							Cabeza tractora	
1824 LS (OM 936.912)		Diesel		7698	175	238	07.11-	*
2024 LS (OM 936.912)		Diesel		7698	175	238	07.11-	*
1827 LS (OM 936.912)		Diesel		7698	200	272	07.11-	*
2027 LS (OM 936.912)		Diesel		7698	200	272	07.11-	*
2427 LS (OM 936.912)		Diesel		7698	200	272	07.11-	*
2427 LS		Diesel		7698	200	272	07.11-	*
2527 LS (OM 936.912)		Diesel		7698	200	272	07.11-	*
2527 LS (OM 936.912)		Diesel		7698	200	272	07.11-	*
2627 LS (OM 936.912)		Diesel		7698	200	272	07.11-	*
2627 LS (OM 936.912)		Diesel		7698	200	272	07.11-	*
2627 LS		Diesel		7698	200	272	07.11-	*
1830 LS (OM 936.912)		Diesel		7698	220	299	07.11-	*
2030 LS (OM 936.912)		Diesel		7698	220	299	07.11-	*
2430 LS (OM 936.912)		Diesel		7698	220	299	07.11-	*
2430 LS		Diesel		7698	220	299	07.11-	*
2530 LS (OM 936.912)		Diesel		7698	220	299	07.11-	*

# LISTA DE APLICACIONES - BUYERS GUIDE

2530 LS (OM 936.912)		Diesel		7698	220	299	07.11-	*
2630 LS (OM 936.912)		Diesel		7698	220	299	07.11-	*
2630 LS (OM 936.912)		Diesel		7698	220	299	07.11-	*
2630 LS		Diesel		7698	220	299	07.11-	*
1832 LS (OM 936.916)		Diesel		7698	235	320	07.11-	*
2032 LS (OM 936.916)		Diesel		7698	235	320	07.11-	*
2432 LS (OM 936.916)		Diesel		7698	235	320	07.11-	*
2432 LS		Diesel		7698	235	320	07.11-	*
2532 LS (OM 936.916)		Diesel		7698	235	320	07.11-	*
2532 LS (OM 936.916)		Diesel		7698	235	320	07.11-	*
2632 LS (OM 936.916)		Diesel		7698	235	319	07.11-	*
2632 LS (OM 936.916)		Diesel		7698	235	320	07.11-	*
2632 LS		Diesel		7698	235	320	07.11-	*
1835 LS (OM 936.916)		Diesel		7698	260	354	07.11-	*
2035 LS (OM 936.916)		Diesel		7698	260	354	07.11-	*
2435 LS (OM 936.916)		Diesel		7698	260	354	07.11-	*
2435 LS		Diesel		7698	260	354	07.11-	*
2535 LS (OM 936.916)		Diesel		7698	260	354	07.11-	*
2535 LS (OM 936.916)		Diesel		7698	260	354	07.11-	*
2635 LS (OM 936.916)		Diesel		7698	260	353	07.11-	*
2635 LS (OM 936.916)		Diesel		7698	260	354	07.11-	*
1833 LS (OM 470.906)		Diesel		10677	240	326	07.11-	*
2033LS (OM 470.906)		Diesel		10677	240	326	07.11-	*
2433 LS (OM 470.906)		Diesel		10677	240	326	07.11-	*
2433 LS		Diesel		10677	240	326	07.11-	*
2533 LS (OM 470.906)		Diesel		10677	240	326	07.11-	*
2533 LS (OM 470.906)		Diesel		10677	240	326	07.11-	*
2633 LS (OM 470.906)		Diesel		10677	240	326	07.11-	*
2633 LS (OM 470.906)		Diesel		10677	240	326	07.11-	*
2633 LS		Diesel		10677	240	326	07.11-	*
3333 LS (OM 470.906)		Diesel		10677	240	326	07.11-	*
1836 LS (OM 470.906)		Diesel		10677	265	360	07.11-	*
2036LS (OM 470.906)		Diesel		10677	265	360	07.11-	*
2436 LS (OM 470.906)		Diesel		10677	265	360	07.11-	*
2436 LS		Diesel		10677	265	360	07.11-	*
2536 LS (OM 470.906)		Diesel		10677	265	360	07.11-	*
2536 LS (OM 470.906)		Diesel		10677	265	360	07.11-	*
2636 LS (OM 470.906)		Diesel		10677	265	360	07.11-	*
2636 LS (OM 470.906)		Diesel		10677	265	360	07.11-	*
2636 LS		Diesel		10677	265	360	07.11-	*
3336 LS (OM 470.906)		Diesel		10677	265	360	07.11-	*
1840LS (OM 470.906)		Diesel		10677	290	394	07.11-	*
2040 LS (OM 470.906)		Diesel		10677	290	394	07.11-	*
2440 LS (OM 470.906)		Diesel		10677	290	394	07.11-	*
2440 LS		Diesel		10677	290	394	07.11-	*
2540 LS (OM 470.906)		Diesel		10677	290	394	07.11-	*
2540 LS (OM 470.906)		Diesel		10677	290	394	07.11-	*
2640 LS (OM 470.906)		Diesel		10677	290	394	07.11-	*
2640 LS (OM 470.906)		Diesel		10677	290	394	07.11-	*
2640 LS		Diesel		10677	290	394	07.11-	*
3340 LS (OM 470.906)		Diesel		10677	290	394	07.11-	*

# LISTA DE APLICACIONES - BUYERS GUIDE

1843 LS (OM 470.906)		Diesel		10677	315	428	07.11-	*
2043 LS (OM 470.906)		Diesel		10677	315	428	07.11-	*
2443 LS (OM 470.906)		Diesel		10677	315	428	07.11-	*
2443 LS		Diesel		10677	315	428	07.11-	*
2543 LS (OM 470.906)		Diesel		10677	315	428	07.11-	*
2543 LS (OM 470.906)		Diesel		10677	315	428	07.11-	*
2643 LS (OM 470.906)		Diesel		10677	315	428	07.11-	*
2643 LS (OM 470.906)		Diesel		10677	315	428	07.11-	*
2643 LS		Diesel		10677	315	428	07.11-	*
3343 LS (OM 470.906)		Diesel		10677	315	428	07.11-	*
1842 LS (OM 471.900)		Diesel		12809	310	422	07.11-	*
1842 LS (OM 471.909)		Diesel		12809	310	422	07.11-	*
2042 LS (OM 471.900)		Diesel		12809	310	422	07.11-	*
2042 LS (OM 471.909)		Diesel		12809	310	422	07.11-	*
2442 LS (OM 471.900)		Diesel		12809	310	422	07.11-	*
2442 LS (OM 471.909)		Diesel		12809	310	422	07.11-	*
2442 LS		Diesel		12809	310	422	07.11-	*
2542 LS (OM 471.900)		Diesel		12809	310	422	07.11-	*
2542 LS (OM 471.909)		Diesel		12809	310	422	07.11-	*
2542 LS (OM 471.900)		Diesel		12809	310	422	07.11-	*
2542 LS (OM 471.909)		Diesel		12809	310	422	07.11-	*
2642 LS (OM 471.900)		Diesel		12809	310	421	07.11-	*
2642 LS (OM 471.909)		Diesel		12809	310	421	07.11-	*
2642 LS (OM 471.900)		Diesel		12809	310	422	07.11-	*
2642 LS (OM 471.909)		Diesel		12809	310	422	07.11-	*
2642 LS		Diesel		12809	310	422	07.11-	*
3342 LS (OM 471.900)		Diesel		12809	310	422	07.11-	*
3342 LS (OM 471.909)		Diesel		12809	310	422	07.11-	*
1845 LS (OM 471.900)		Diesel		12809	330	449	07.11-	*
1845 LS (OM 471.909)		Diesel		12809	330	449	07.11-	*
2045 LS (OM 471.900)		Diesel		12809	330	449	07.11-	*
2045 LS (OM 471.909)		Diesel		12809	330	449	07.11-	*
2445 LS (OM 471.900)		Diesel		12809	330	449	07.11-	*
2445 LS (OM 471.909)		Diesel		12809	330	449	07.11-	*
2445 LS		Diesel		12809	330	449	07.11-	*
2545 LS (OM 471.900)		Diesel		12809	330	449	07.11-	*
2545 LS (OM 471.909)		Diesel		12809	330	449	07.11-	*
2545 LS (OM 471.900)		Diesel		12809	330	449	07.11-	*
2545 LS (OM 471.909)		Diesel		12809	330	449	07.11-	*
2645 LS (OM 471.900)		Diesel		12809	330	448	07.11-	*
2645 LS (OM 471.909)		Diesel		12809	330	448	07.11-	*
2645 LS (OM 471.900)		Diesel		12809	330	449	07.11-	*
2645 LS (OM 471.909)		Diesel		12809	330	449	07.11-	*
2645 LS		Diesel		12809	330	449	07.11-	*
3345 LS (OM 471.900)		Diesel		12809	330	449	07.11-	*
3345 LS (OM 471.909)		Diesel		12809	330	449	07.11-	*
1848 LS (OM 471.900)		Diesel		12809	350	476	07.11-	*
2048 LS (OM 471.900)		Diesel		12809	350	476	07.11-	*
2448LS (OM 471.900)		Diesel		12809	350	476	07.11-	*
2448LS		Diesel		12809	350	476	07.11-	*
2548 LS (OM 471.900)		Diesel		12809	350	476	07.11-	*

# LISTA DE APLICACIONES - BUYERS GUIDE

2548 LS (OM 471.900)		Diesel		12809	350	476	07.11-	*
2648 LS (OM 471.900)		Diesel		12809	350	476	07.11-	*
2648 LS (OM 471.900)		Diesel		12809	350	476	07.11-	*
2648 LS		Diesel		12809	350	476	07.11-	*
3348 LS (OM 471.900)		Diesel		12809	350	476	07.11-	*
1851 LS (OM 471.900)		Diesel		12809	375	510	07.11-	*
1851 LS (OM 471.909)		Diesel		12809	375	510	07.11-	*
2051 LS (OM 471.900)		Diesel		12809	375	510	07.11-	*
2051 LS (OM 471.909)		Diesel		12809	375	510	07.11-	*
2451 LS (OM 471.900)		Diesel		12809	375	510	07.11-	*
2451 LS (OM 471.909)		Diesel		12809	375	510	07.11-	*
2451 LS		Diesel		12809	375	510	07.11-	*
2551 LS (OM 471.900)		Diesel		12809	375	510	07.11-	*
2551 LS (OM 471.909)		Diesel		12809	375	510	07.11-	*
2551 LS (OM 471.900)		Diesel		12809	375	510	07.11-	*
2551 LS (OM 471.909)		Diesel		12809	375	510	07.11-	*
2651 LS (OM 471.900)		Diesel		12809	375	510	07.11-	*
2651 LS (OM 471.909)		Diesel		12809	375	510	07.11-	*
2651 LS (OM 471.900)		Diesel		12809	375	510	07.11-	*
2651 LS (OM 471.909)		Diesel		12809	375	510	07.11-	*
2651 LS		Diesel		12809	375	510	07.11-	*
3351 LS (OM 471.900)		Diesel		12809	375	510	07.11-	*
3351 LS (OM 471.909)		Diesel		12809	375	510	07.11-	*
1852 LS (OM 473.900)		Diesel		15569	380	517	01.14-	*
4152 LS (OM 473.900)		Diesel		15569	380	517	01.14-	*
1858 LS (OM 473.905)		Diesel		15569	425	578	01.14-	*
1863 LS (OM 473.903)		Diesel		15569	460	626	01.14-	*
<b>ACTROS MP4 / MP5 07.11-</b>				<b>Cabeza tractora</b>				
eActros 300		Mixto		0	400	544	06.23-	*
eActros 600		Mixto		0	600	816	11.24-	*
<b>ACTROS MP4 / MP5 07.11-</b>				<b>Caja/Chasis</b>				
1824 L (OM 936.912)		Diesel		7698	175	238	07.11-	*
2024 L (OM 936.912)		Diesel		7698	175	238	07.11-	*
1827 L (OM 936.912)		Diesel		7698	200	272	07.11-	*
2027 L (OM 936.912)		Diesel		7698	200	272	07.11-	*
2527 L (OM 936.912)		Diesel		7698	200	272	07.11-	*
2627 L (OM 936.912)		Diesel		7698	200	272	07.11-	*
2627 L (OM 936.912)		Diesel		7698	200	272	07.11-	*
2627 L		Diesel		7698	200	272	07.11-	*
1830 L (OM 936.912)		Diesel		7698	220	299	07.11-	*
2030 L (OM 936.912)		Diesel		7698	220	299	07.11-	*
2530 L (OM 936.912)		Diesel		7698	220	299	07.11-	*
2630 L (OM 936.912)		Diesel		7698	220	299	07.11-	*
2630 L (OM 936.912)		Diesel		7698	220	299	07.11-	*
2630 L		Diesel		7698	220	299	07.11-	*
1832 L (OM 936.916)		Diesel		7698	235	320	07.11-	*
2032 L (OM 936.916)		Diesel		7698	235	320	07.11-	*
2532 L (OM 936.916)		Diesel		7698	235	320	07.11-	*
2632 L (OM 936.916)		Diesel		7698	235	319	07.11-	*
2632 L (OM 936.916)		Diesel		7698	235	320	07.11-	*
2632 L		Diesel		7698	235	320	07.11-	*

# LISTA DE APLICACIONES - BUYERS GUIDE

1835 L (OM 936.916)	Diesel	7698	260	354	07.11-	*
2035 L (OM 936.916)	Diesel	7698	260	354	07.11-	*
2535 L (OM 936.916)	Diesel	7698	260	354	07.11-	*
2635 L (OM 936.916)	Diesel	7698	260	353	07.11-	*
2635 L (OM 936.916)	Diesel	7698	260	354	07.11-	*
2635 L	Diesel	7698	260	354	07.11-	*
1833 L (OM 470.906)	Diesel	10677	240	326	07.11-	*
2033 L (OM 470.906)	Diesel	10677	240	326	07.11-	*
2533 L (OM 470.906)	Diesel	10677	240	326	07.11-	*
2633 L (OM 470.906)	Diesel	10677	240	326	07.11-	*
2633 L (OM 470.906)	Diesel	10677	240	326	07.11-	*
2633 L	Diesel	10677	240	326	07.11-	*
3333 L (OM 470.906)	Diesel	10677	240	326	07.11-	*
1836 L (OM 470.906)	Diesel	10677	265	360	07.11-	*
2036 L (OM 470.906)	Diesel	10677	265	360	07.11-	*
2536 L (OM 470.906)	Diesel	10677	265	360	07.11-	*
2636 L (OM 470.906)	Diesel	10677	265	360	07.11-	*
2636 L (OM 470.906)	Diesel	10677	265	360	07.11-	*
2636 L	Diesel	10677	265	360	07.11-	*
3336 L (OM 470.906)	Diesel	10677	265	360	07.11-	*
1840 L (OM 470.906)	Diesel	10677	290	394	07.11-	*
2040 L (OM 470.906)	Diesel	10677	290	394	07.11-	*
2540 L (OM 470.906)	Diesel	10677	290	394	07.11-	*
2640 L (OM 470.906)	Diesel	10677	290	394	07.11-	*
2640 L (OM 470.906)	Diesel	10677	290	394	07.11-	*
2640 L	Diesel	10677	290	394	07.11-	*
3340 L (OM 470.906)	Diesel	10677	290	394	07.11-	*
1843 L (OM 470.906)	Diesel	10677	315	428	07.11-	*
2043 L (OM 470.906)	Diesel	10677	315	428	07.11-	*
2543 L (OM 470.906)	Diesel	10677	315	428	07.11-	*
2643 L (OM 470.906)	Diesel	10677	315	428	07.11-	*
2643 L (OM 470.906)	Diesel	10677	315	428	07.11-	*
2643 L	Diesel	10677	315	428	07.11-	*
3343 L (OM 470.906)	Diesel	10677	315	428	07.11-	*
1842 L (OM 471.900)	Diesel	12809	310	422	07.11-	*
1842 L (OM 471.909)	Diesel	12809	310	422	07.11-	*
2042 L (OM 471.900)	Diesel	12809	310	422	07.11-	*
2042 L (OM 471.909)	Diesel	12809	310	422	07.11-	*
2542 L (OM 471.900)	Diesel	12809	310	422	07.11-	*
2542 L (OM 471.909)	Diesel	12809	310	422	07.11-	*
2642 L (OM 471.900)	Diesel	12809	310	421	07.11-	*
2642 L (OM 471.909)	Diesel	12809	310	421	07.11-	*
2642 L (OM 471.900)	Diesel	12809	310	422	07.11-	*
2642 L (OM 471.909)	Diesel	12809	310	422	07.11-	*
2642 L	Diesel	12809	310	422	07.11-	*
3342 L (OM 471.900)	Diesel	12809	310	422	07.11-	*
3342 L (OM 471.909)	Diesel	12809	310	422	07.11-	*
1845 L (OM 471.900)	Diesel	12809	330	449	07.11-	*
1845 L (OM 471.909)	Diesel	12809	330	449	07.11-	*
2045 L (OM 471.900)	Diesel	12809	330	449	07.11-	*
2045 L (OM 471.909)	Diesel	12809	330	449	07.11-	*

# LISTA DE APLICACIONES - BUYERS GUIDE

2545 L (OM 471.900)		Diesel		12809	330	449	07.11-	*	
2545 L (OM 471.909)		Diesel		12809	330	449	07.11-	*	
2645 L (OM 471.900)		Diesel		12809	330	448	07.11-	*	
2645 L (OM 471.909)		Diesel		12809	330	448	07.11-	*	
2645 L (OM 471.900)		Diesel		12809	330	449	07.11-	*	
2645 L (OM 471.909)		Diesel		12809	330	449	07.11-	*	
2645 L		Diesel		12809	330	449	07.11-	*	
3345 L (OM 471.900)		Diesel		12809	330	449	07.11-	*	
3345 L (OM 471.909)		Diesel		12809	330	449	07.11-	*	
1848 L (OM 471.900)		Diesel		12809	350	476	07.11-	*	
2048 L (OM 471.900)		Diesel		12809	350	476	07.11-	*	
2548 L (OM 471.900)		Diesel		12809	350	476	07.11-	*	
2648 L (OM 471.900)		Diesel		12809	350	476	07.11-	*	
2648 L (OM 471.900)		Diesel		12809	350	476	07.11-	*	
2648 L		Diesel		12809	350	476	07.11-	*	
3348 L (OM 471.900)		Diesel		12809	350	476	07.11-	*	
2651 L (OM 471.900)		Diesel		12809	360	490	07.11-	*	
1851 L (OM 471.900)		Diesel		12809	375	510	07.11-	*	
1851 L (OM 471.909)		Diesel		12809	375	510	07.11-	*	
2051 L (OM 471.900)		Diesel		12809	375	510	07.11-	*	
2051 L (OM 471.909)		Diesel		12809	375	510	07.11-	*	
2551 L (OM 471.900)		Diesel		12809	375	510	07.11-	*	
2551 L (OM 471.909)		Diesel		12809	375	510	07.11-	*	
2651 L (OM 471.900)		Diesel		12809	375	510	07.11-	*	
2651 L (OM 471.909)		Diesel		12809	375	510	07.11-	*	
2651 L (OM 471.900)		Diesel		12809	375	510	07.11-	*	
2651 L (OM 471.909)		Diesel		12809	375	510	07.11-	*	
3351 L (OM 471.900)		Diesel		12809	375	510	07.11-	*	
3351 L (OM 471.909)		Diesel		12809	375	510	07.11-	*	
1852 L (OM 473.900)		Diesel		15569	380	517	01.14-	*	
1858 L (OM 473.905)		Diesel		15569	425	578	01.14-	*	
1863 L (OM 473.903)		Diesel		15569	460	626	01.14-	*	
<b>ACTROS MP4 / MP5 07.11-</b>								<b>Caja/Chasis</b>	
eActros 300		Mixto		0	400	544	10.21-	*	*
eActros 300		Mixto		0	400	544	10.21-	*	*
eActros 300		Mixto		0	400	544	10.21-	*	*
eActros 400		Mixto		0	400	544	10.21-	*	*
eActros 400		Mixto		0	400	544	06.23-	*	*
eActros 600		Mixto		0	600	816	11.24-	*	*
<b>ANTOS 07.12-</b>								<b>Cabeza tractora</b>	
1824 LS (OM 936.912)		Diesel		7698	175	238	07.12-12.18	*	*
2024 LS (OM 936.912)		Diesel		7698	175	238	07.12-12.18	*	*
1827 LS (OM 936.912)		Diesel		7698	200	272	07.12-12.18	*	*
2027 LS (OM 936.912)		Diesel		7698	200	272	07.12-12.18	*	*
2427 LS (OM 936.912)		Diesel		7698	200	272	07.12-12.18	*	*
2527 LS (OM 936.912)		Diesel		7698	200	272	07.12-12.18	*	*
2527 LS (OM 936.912)		Diesel		7698	200	272	07.12-12.18	*	*
2627 LS (OM 936.912)		Diesel		7698	200	272	07.12-	*	*
2627 LS (OM 936.912)		Diesel		7698	200	272	07.12-12.18	*	*
2627 LS		Diesel		7698	200	272	07.12-12.18	*	*
1830 LS (OM 936.912)		Diesel		7698	220	299	07.12-12.18	*	*

# LISTA DE APLICACIONES - BUYERS GUIDE

2030 LS (OM 936.912)		Diesel		7698	220	299	07.12-12.18	*
2430 LS (OM 936.912)		Diesel		7698	220	299	07.12-12.18	*
2530 LS (OM 936.912)		Diesel		7698	220	299	07.12-12.18	*
2530 LS (OM 936.912)		Diesel		7698	220	299	07.12-12.18	*
2630 LS (OM 936.912)		Diesel		7698	220	299	07.12-12.18	*
2630 LS (OM 936.912)		Diesel		7698	220	299	07.12-12.18	*
2630 LS		Diesel		7698	220	299	07.12-12.18	*
1832 LS (OM 936.916)		Diesel		7698	235	320	07.12-12.18	*
2032 LS (OM 936.916)		Diesel		7698	235	320	07.12-12.18	*
2432 LS (OM 936.916)		Diesel		7698	235	320	07.12-12.18	*
2532 LS (OM 936.916)		Diesel		7698	235	320	07.12-12.18	*
2532 LS (OM 936.916)		Diesel		7698	235	320	07.12-12.18	*
2632 LS (OM 936.916)		Diesel		7698	235	320	07.12-12.18	*
2632 LS (OM 936.916)		Diesel		7698	235	320	07.12-12.18	*
2632 LS		Diesel		7698	235	320	07.12-12.18	*
1835 LS (OM 936.916)		Diesel		7698	260	354	07.12-12.18	*
2035 LS (OM 936.916)		Diesel		7698	260	354	07.12-12.18	*
2435 LS (OM 936.916)		Diesel		7698	260	354	07.12-12.18	*
2535 LS (OM 936.916)		Diesel		7698	260	354	07.12-12.18	*
2535 LS (OM 936.916)		Diesel		7698	260	354	07.12-12.18	*
2635 LS (OM 936.916)		Diesel		7698	260	354	07.12-	*
2635 LS (OM 936.916)		Diesel		7698	260	354	07.12-12.18	*
2635 LS		Diesel		7698	260	354	07.12-12.18	*
1833 LS (OM 470.906)		Diesel		10677	240	326	07.12-12.18	*
2033LS (OM 470.906)		Diesel		10677	240	326	07.12-12.18	*
2433 LS (OM 470.906)		Diesel		10677	240	326	07.12-12.18	*
2533 LS (OM 470.906)		Diesel		10677	240	326	07.12-12.18	*
2533 LS (OM 470.906)		Diesel		10677	240	326	07.12-12.18	*
2633 LS (OM 470.906)		Diesel		10677	240	326	07.12-	*
2633 LS (OM 470.906)		Diesel		10677	240	326	07.12-12.18	*
2633 LS		Diesel		10677	240	326	07.12-12.18	*
3333 LS (OM 470.906)		Diesel		10677	240	326	07.12-12.18	*
1836 LS (OM 470.906)		Diesel		10677	265	360	07.12-12.18	*
2036LS (OM 470.906)		Diesel		10677	265	360	07.12-12.18	*
2436 LS (OM 470.906)		Diesel		10677	265	360	07.12-12.18	*
2536 LS (OM 470.906)		Diesel		10677	265	360	07.12-12.18	*
2536 LS (OM 470.906)		Diesel		10677	265	360	07.12-12.18	*
2536 LS (OM 470.910)		Diesel		10677	265	360	07.12-12.18	*
2636 LS (OM 470.906)		Diesel		10677	265	360	07.12-	*
2636 LS (OM 470.906)		Diesel		10677	265	360	07.12-12.18	*
2636 LS		Diesel		10677	265	360	07.12-12.18	*
3336 LS (OM 470.906)		Diesel		10677	265	360	07.12-12.18	*
1840LS (OM 470.906)		Diesel		10677	290	394	07.12-12.18	*
2040 LS (OM 470.906)		Diesel		10677	290	394	07.12-12.18	*
2440 LS (OM 470.906)		Diesel		10677	290	394	07.12-12.18	*
2540 LS (OM 470.906)		Diesel		10677	290	394	07.12-12.18	*
2540 LS (OM 470.906)		Diesel		10677	290	394	07.12-12.18	*
2640 LS (OM 470.906)		Diesel		10677	290	394	07.12-	*
2640 LS (OM 470.906)		Diesel		10677	290	394	07.12-12.18	*
2640 LS		Diesel		10677	290	394	07.12-12.18	*
3340 LS (OM 470.906)		Diesel		10677	290	394	07.12-12.18	*

# LISTA DE APLICACIONES - BUYERS GUIDE

1843 LS (OM 470.906)		Diesel		10677	315	428	07.12-12.18	*
2043 LS (OM 470.906)		Diesel		10677	315	428	07.12-12.18	*
2443 LS (OM 470.906)		Diesel		10677	315	428	07.12-12.18	*
2543 LS (OM 470.906)		Diesel		10677	315	428	07.12-12.18	*
2543 LS (OM 470.906)		Diesel		10677	315	428	07.12-12.18	*
2643 LS (OM 470.906)		Diesel		10677	315	428	07.12-	*
2643 LS (OM 470.906)		Diesel		10677	315	428	07.12-12.18	*
2643 LS		Diesel		10677	315	428	07.12-12.18	*
3343 LS (OM 470.906)		Diesel		10677	315	428	07.12-12.18	*
1842 LS (OM 471.900)		Diesel		12809	310	422	07.12-12.18	*
2042 LS (OM 471.900)		Diesel		12809	310	422	07.12-12.18	*
2442 LS (OM 471.900)		Diesel		12809	310	422	07.12-12.18	*
2542 LS (OM 471.900)		Diesel		12809	310	422	07.12-12.18	*
2542 LS (OM 471.900)		Diesel		12809	310	422	07.12-12.18	*
2642 LS (OM 471.900)		Diesel		12809	310	422	07.12-	*
2642 LS (OM 471.900)		Diesel		12809	310	422	07.12-12.18	*
2642 LS		Diesel		12809	310	422	07.12-12.18	*
3342 LS (OM 471.900)		Diesel		12809	310	422	07.12-12.18	*
1845 LS (OM 471.900)		Diesel		12809	330	449	07.12-12.18	*
2045 LS (OM 471.900)		Diesel		12809	330	449	07.12-12.18	*
2445 LS (OM 471.900)		Diesel		12809	330	449	07.12-12.18	*
2545 LS (OM 471.900)		Diesel		12809	330	449	07.12-12.18	*
2545 LS (OM 471.900)		Diesel		12809	330	449	07.12-12.18	*
2545 LS (OM 471.909)		Diesel		12809	330	449	07.12-12.18	*
2645 LS (OM 471.900)		Diesel		12809	330	449	07.12-	*
2645 LS (OM 471.900)		Diesel		12809	330	449	07.12-12.18	*
2645 LS		Diesel		12809	330	449	07.12-12.18	*
3345 LS (OM 471.900)		Diesel		12809	330	449	07.12-12.18	*
1848 LS (OM 471.900)		Diesel		12809	350	476	07.12-12.18	*
2048 LS (OM 471.900)		Diesel		12809	350	476	07.12-12.18	*
2448LS (OM 471.900)		Diesel		12809	350	476	07.12-12.18	*
2548 LS (OM 471.900)		Diesel		12809	350	476	07.12-12.18	*
2548 LS (OM 471.900)		Diesel		12809	350	476	07.12-12.18	*
2548 LS (OM 471.909)		Diesel		12809	350	476	07.12-12.18	*
2648 LS (OM 471.900)		Diesel		12809	350	476	07.12-	*
2648 LS (OM 471.900)		Diesel		12809	350	476	07.12-12.18	*
2648 LS		Diesel		12809	350	476	07.12-12.18	*
3348 LS (OM 471.900)		Diesel		12809	350	476	07.12-12.18	*
1851 LS (OM 471.900)		Diesel		12809	375	510	07.12-12.18	*
2051 LS (OM 471.900)		Diesel		12809	375	510	07.12-12.18	*
2451 LS (OM 471.900)		Diesel		12809	375	510	07.12-12.18	*
2551 LS (OM 471.900)		Diesel		12809	375	510	07.12-12.18	*
2551 LS (OM 471.909)		Diesel		12809	375	510	07.12-12.18	*
2651 LS (OM 471.900)		Diesel		12809	375	510	07.12-	*
2651 LS (OM 471.900)		Diesel		12809	375	510	07.12-12.18	*
2651 LS		Diesel		12809	375	510	07.12-12.18	*
3351 LS (OM 471.900)		Diesel		12809	375	510	07.12-12.18	*
<b>ANTOS 07.12-</b>					<b>Caja/Chasis</b>			
1824 L (OM 936.912)		Diesel		7698	175	238	07.12-12.18	*
2024 L (OM 936.912)		Diesel		7698	175	238	07.12-12.18	*
1827 L (OM 936.912)		Diesel		7698	200	272	07.12-12.18	*

# LISTA DE APLICACIONES - BUYERS GUIDE

2027 L (OM 936.912)		Diesel		7698	200	272	07.12-12.18	*
2527 L (OM 936.912)		Diesel		7698	200	272	07.12-12.18	*
2627 L (OM 936.912)		Diesel		7698	200	272	07.12-	*
2627 L (OM 936.912)		Diesel		7698	200	272	07.12-12.18	*
2627 L (OM 936.912)		Diesel		7698	200	272	07.12-12.18	*
1830 L (OM 936.912)		Diesel		7698	220	299	07.12-12.18	*
2030 L (OM 936.912)		Diesel		7698	220	299	07.12-12.18	*
2530 L (OM 936.912)		Diesel		7698	220	299	07.12-12.18	*
2630 L (OM 936.912)		Diesel		7698	220	299	07.12-12.18	*
2630 L (OM 936.912)		Diesel		7698	220	299	07.12-12.18	*
2630 L		Diesel		7698	220	299	07.12-12.18	*
1832 L (OM 936.916)		Diesel		7698	235	320	07.12-12.18	*
2032 L (OM 936.916)		Diesel		7698	235	320	07.12-12.18	*
2532 L (OM 936.916)		Diesel		7698	235	320	07.12-12.18	*
2632 L (OM 936.916)		Diesel		7698	235	320	07.12-12.18	*
2632 L (OM 936.916)		Diesel		7698	235	320	07.12-12.18	*
2632 L		Diesel		7698	235	320	07.12-12.18	*
1835 L (OM 936.916)		Diesel		7698	260	354	07.12-12.18	*
2035 L (OM 936.916)		Diesel		7698	260	354	07.12-12.18	*
2535 L (OM 936.916)		Diesel		7698	260	354	07.12-12.18	*
2635 L (OM 936.916)		Diesel		7698	260	354	07.12-12.18	*
2635 L (OM 936.916)		Diesel		7698	260	354	07.12-12.18	*
2635 L		Diesel		7698	260	354	07.12-12.18	*
1833 L (OM 470.906)		Diesel		10677	240	326	07.12-12.18	*
2033 L (OM 470.906)		Diesel		10677	240	326	07.12-12.18	*
2533 L (OM 470.906)		Diesel		10677	240	326	07.12-12.18	*
2633 L (OM 470.906)		Diesel		10677	240	326	07.12-	*
2633 L (OM 470.906)		Diesel		10677	240	326	07.12-12.18	*
2633 L		Diesel		10677	240	326	07.12-12.18	*
3333 L (OM 470.906)		Diesel		10677	240	326	07.12-12.18	*
1836 L (OM 470.906)		Diesel		10677	265	360	07.12-12.18	*
2036 L (OM 470.906)		Diesel		10677	265	360	07.12-12.18	*
2536 L (OM 470.906)		Diesel		10677	265	360	07.12-12.18	*
2636 L (OM 470.906)		Diesel		10677	265	360	07.12-	*
2636 L (OM 470.906)		Diesel		10677	265	360	07.12-12.18	*
2636 L		Diesel		10677	265	360	07.12-12.18	*
3336 L (OM 470.906)		Diesel		10677	265	360	07.12-12.18	*
1840 L (OM 470.906)		Diesel		10677	290	394	07.12-12.18	*
2040 L (OM 470.906)		Diesel		10677	290	394	07.12-12.18	*
2540 L (OM 470.906)		Diesel		10677	290	394	07.12-12.18	*
2640 L (OM 470.906)		Diesel		10677	290	394	07.12-12.18	*
2640 L (OM 470.906)		Diesel		10677	290	394	07.12-12.18	*
2640 L		Diesel		10677	290	394	07.12-12.18	*
3340 L (OM 470.906)		Diesel		10677	290	394	07.12-12.18	*
1843 L (OM 470.906)		Diesel		10677	315	428	07.12-12.18	*
2043 L (OM 470.906)		Diesel		10677	315	428	07.12-12.18	*
2543 L (OM 470.906)		Diesel		10677	315	428	07.12-12.18	*
2643 L (OM 470.906)		Diesel		10677	315	428	07.12-12.18	*
2643 L (OM 470.906)		Diesel		10677	315	428	07.12-12.18	*
2643 L		Diesel		10677	315	428	07.12-12.18	*
3343 L (OM 470.906)		Diesel		10677	315	428	07.12-12.18	*

# LISTA DE APLICACIONES - BUYERS GUIDE

1842 L (OM 471.900)		Diesel		12809	310	422	07.12-12.18	*
2042 L (OM 471.900)		Diesel		12809	310	422	07.12-12.18	*
2542 L (OM 471.900)		Diesel		12809	310	422	07.12-12.18	*
2642 L (OM 471.900)		Diesel		12809	310	422	07.12-	*
2642 L (OM 471.900)		Diesel		12809	310	422	07.12-12.18	*
2642 L		Diesel		12809	310	422	07.12-12.18	*
3342 L (OM 471.900)		Diesel		12809	310	422	07.12-12.18	*
1845 L (OM 471.900)		Diesel		12809	330	449	07.12-12.18	*
2045 L (OM 471.900)		Diesel		12809	330	449	07.12-12.18	*
2545 L (OM 471.900)		Diesel		12809	330	449	07.12-12.18	*
2645 L (OM 471.900)		Diesel		12809	330	449	07.12-	*
2645 L (OM 471.900)		Diesel		12809	330	449	07.12-12.18	*
2645 L		Diesel		12809	330	449	07.12-12.18	*
3345 L (OM 471.900)		Diesel		12809	330	449	07.12-12.18	*
1848 L (OM 471.900)		Diesel		12809	350	476	07.12-12.18	*
2048 L (OM 471.900)		Diesel		12809	350	476	07.12-12.18	*
2548 L (OM 471.900)		Diesel		12809	350	476	07.12-12.18	*
2648 L (OM 471.900)		Diesel		12809	350	476	07.12-12.18	*
2648 L (OM 471.900)		Diesel		12809	350	476	07.12-12.18	*
2648 L		Diesel		12809	350	476	07.12-12.18	*
3348 L (OM 471.900)		Diesel		12809	350	476	07.12-12.18	*
1851 L (OM 471.900)		Diesel		12809	375	510	07.12-12.18	*
2051 L (OM 471.900)		Diesel		12809	375	510	07.12-12.18	*
2551 L (OM 471.900)		Diesel		12809	375	510	07.12-12.18	*
2651 L (OM 471.900)		Diesel		12809	375	510	07.12-	*
2651 L (OM 471.900)		Diesel		12809	375	510	07.12-12.18	*
2651 L		Diesel		12809	375	510	07.12-12.18	*
3351 L (OM 471.900)		Diesel		12809	375	510	07.12-12.18	*
<b>AROCS 01.13-</b>				<b>Cabeza tractora</b>				
1824 LS (OM 936.912)		Diesel		7698	175	238	01.13-	*
2024 S, 2424 LS (OM 936.912)		Diesel		7698	175	238	01.13-	*
1827 LS (OM 936.912)		Diesel		7698	200	272	01.13-	*
2027 S, 2027 LS (OM 936.912)		Diesel		7698	200	272	01.13-	*
2527 LS (OM 936.912)		Diesel		7698	200	272	01.13-	*
2627 LS (OM 936.912)		Diesel		7698	200	272	01.13-	*
2627 LS (OM 936.912)		Diesel		7698	200	272	01.13-	*
2627 S, 2627 LS (OM 936.912)		Diesel		7698	200	272	01.13-	*
1830 S, 1830 LS (OM 936.912)		Diesel		7698	220	299	01.13-	*
2030 S, 2030 LS (OM 936.912)		Diesel		7698	220	299	01.13-	*
2530 LS (OM 936.912)		Diesel		7698	220	299	01.13-	*
2630 LS (OM 936.912)		Diesel		7698	220	299	01.13-	*
2630 LS (OM 936.912)		Diesel		7698	220	299	01.13-	*
2630 S, 2630 LS (OM 936.912)		Diesel		7698	220	299	01.13-	*
1832 S, 1832 LS (OM 936.916)		Diesel		7698	235	320	01.13-	*
2032 S, 2032 LS (OM 936.916)		Diesel		7698	235	320	01.13-	*
2532 LS (OM 936.916)		Diesel		7698	235	320	01.13-	*
2632 LS (OM 936.916)		Diesel		7698	235	320	01.13-	*
2632 LS (OM 936.916)		Diesel		7698	235	320	01.13-	*
2632 S, 2632 LS (OM 936.916)		Diesel		7698	235	320	01.13-	*
1835 S, 1835 LS (OM 936.916)		Diesel		7698	260	354	01.13-	*
2035 S, 2035 LS (OM 936.916)		Diesel		7698	260	354	01.13-	*

# LISTA DE APLICACIONES - BUYERS GUIDE

2535 LS (OM 936.916)	Diesel	7698	260	354	01.13-	*
2635 LS (OM 936.916)	Diesel	7698	260	354	01.13-	*
2635 LS (OM 936.916)	Diesel	7698	260	354	01.13-	*
2635 S, 2635 LS (OM 936.916)	Diesel	7698	260	354	01.13-	*
1833 AS (OM 470.906)	Diesel	10677	240	326	01.13-	*
1833 LS (OM 470.906)	Diesel	10677	240	326	01.13-	*
2033 AS (OM 470.906)	Diesel	10677	240	326	01.13-	*
2033 S, 2033 LS (OM 470.906)	Diesel	10677	240	326	01.13-	*
2533 LS (OM 470.906)	Diesel	10677	240	326	01.13-	*
2533 LS (OM 470.906)	Diesel	10677	240	326	01.13-	*
2533 LS (OM 470.906)	Diesel	10677	240	326	01.13-	*
2533 LS	Diesel	10677	240	326	01.13-	*
2633 LS (OM 470.906)	Diesel	10677	240	326	01.13-	*
2633 LS	Diesel	10677	240	326	01.13-	*
2633 S, 2633 LS (OM 470.906)	Diesel	10677	240	326	01.13-	*
3333 AS (OM 470.906)	Diesel	10677	240	326	01.13-	*
3333 S, 3333 LS (OM 470.906)	Diesel	10677	240	326	01.13-	*
1836 AS (OM 470.903)	Diesel	10677	265	360	01.13-	*
1836 AS (OM 470.910)	Diesel	10677	265	360	01.13-	*
1836 AS (OM 470.913)	Diesel	10677	265	360	01.13-	*
1836 S, 1836 LS (OM 470.903)	Diesel	10677	265	360	01.13-	*
1836 S, 1836 LS (OM 470.910)	Diesel	10677	265	360	01.13-	*
1836 S, 1836 LS (OM 470.913)	Diesel	10677	265	360	01.13-	*
2036 AS (OM 470.903)	Diesel	10677	265	360	01.13-	*
2036 AS (OM 470.910)	Diesel	10677	265	360	01.13-	*
2036 AS (OM 470.913)	Diesel	10677	265	360	01.13-	*
2036 S, 2036 LS (OM 470.903)	Diesel	10677	265	360	01.13-	*
2036 S, 2036 LS (OM 470.910)	Diesel	10677	265	360	01.13-	*
2036 S, 2036 LS (OM 470.913)	Diesel	10677	265	360	01.13-	*
2536 LS	Diesel	10677	265	360	01.13-	*
2536 LS	Diesel	10677	265	360	01.13-	*
2536 LS	Diesel	10677	265	360	01.13-	*
2536 LS	Diesel	10677	265	360	01.13-	*
2636 LS	Diesel	10677	265	360	01.13-	*
2636 LS	Diesel	10677	265	360	01.13-	*
2636 S, 2636 LS	Diesel	10677	265	360	01.13-	*
3336 AS	Diesel	10677	265	360	01.13-	*
3336 S, 3336 LS	Diesel	10677	265	360	01.13-	*
1840 AS (OM 470.906)	Diesel	10677	290	394	01.13-	*
1840LS (OM 470.906)	Diesel	10677	290	394	01.13-	*
2040 AS (OM 470.906)	Diesel	10677	290	394	01.13-	*
2040 S, 2040 LS (OM 470.906)	Diesel	10677	290	394	01.13-	*
2540 LS (OM 470.906)	Diesel	10677	290	394	01.13-	*
2540 LS (OM 470.906)	Diesel	10677	290	394	01.13-	*
2540 LS (OM 470.906)	Diesel	10677	290	394	01.13-	*
2540 LS (OM 470.906)	Diesel	10677	290	394	01.13-	*
2640 LS (OM 470.906)	Diesel	10677	290	394	01.13-	*
2640 LS (OM 470.906)	Diesel	10677	290	394	01.13-	*
2640 S, 2640 LS (OM 470.906)	Diesel	10677	290	394	01.13-	*
3340 AS (OM 470.906)	Diesel	10677	290	394	01.13-	*
3340 S, 3340 LS (OM 470.906)	Diesel	10677	290	394	01.13-	*

## LISTA DE APLICACIONES - BUYERS GUIDE

1843 AS (OM 470.906)	Diesel	10677	315	428	01.13-	*
1843 LS (OM 470.906)	Diesel	10677	315	428	01.13-	*
2043 AS (OM 470.906)	Diesel	10677	315	428	01.13-	*
2043 S, 2043 LS (OM 470.906)	Diesel	10677	315	428	01.13-	*
2543 LS (OM 470.906)	Diesel	10677	315	428	01.13-	*
2543 LS (OM 470.906)	Diesel	10677	315	428	01.13-	*
2543 LS (OM 470.906)	Diesel	10677	315	428	01.13-	*
2543 LS (OM 470.906)	Diesel	10677	315	428	01.13-	*
2643 LS (OM 470.906)	Diesel	10677	315	428	01.13-	*
2643 LS (OM 470.906)	Diesel	10677	315	428	01.13-	*
2643 S, 2643 LS (OM 470.906)	Diesel	10677	315	428	01.13-	*
3343 AS (OM 470.906)	Diesel	10677	315	428	01.13-	*
3343 S, 3343 LS (OM 470.906)	Diesel	10677	315	428	01.13-	*
1846 AS	Diesel	10677	335	455	07.15-	*
2046 AS	Diesel	10677	335	455	07.15-	*
3346 AS	Diesel	10677	335	455	07.15-	*
1842 AS (OM 471.900)	Diesel	12809	310	422	01.13-	*
1842 LS (OM 471.900)	Diesel	12809	310	422	01.13-	*
2042 AS (OM 471.900)	Diesel	12809	310	422	01.13-	*
2042 S, 2042 LS (OM 471.900)	Diesel	12809	310	422	01.13-	*
2542 LS (OM 471.900)	Diesel	12809	310	422	01.13-	*
2542 LS (OM 471.900)	Diesel	12809	310	421	01.13-	*
2542 LS	Diesel	12809	310	422	01.13-	*
2642 LS (OM 471.900)	Diesel	12809	310	422	01.13-	*
2642 LS	Diesel	12809	310	422	01.13-	*
2642 S, 2642 LS (OM 471.900)	Diesel	12809	310	422	01.13-	*
3342 AS (OM 471.900)	Diesel	12809	310	422	01.13-	*
3342 S, 3342 LS (OM 471.900)	Diesel	12809	310	422	01.13-	*
1845 AS	Diesel	12809	330	449	01.13-	*
1845 LS (OM 471.900)	Diesel	12809	330	449	01.13-	*
1845 LS (OM 471.906)	Diesel	12809	330	449	01.13-	*
2045 AS	Diesel	12809	330	449	01.13-	*
2045 S, 2045 LS (OM 471.900)	Diesel	12809	330	449	01.13-	*
2045 S, 2045 LS (OM 471.906)	Diesel	12809	330	449	01.13-	*
2545 LS (OM 471.900)	Diesel	12809	330	449	01.13-	*
2545 LS (OM 471.906)	Diesel	12809	330	449	01.13-	*
2545 LS	Diesel	12809	330	448	01.13-	*
2545 LS (OM 471.900)	Diesel	12809	330	449	01.13-	*
2645 LS (OM 471.900)	Diesel	12809	330	449	01.13-	*
2645 LS (OM 471.900)	Diesel	12809	330	449	01.13-	*
2645 S, 2645 LS (OM 471.900)	Diesel	12809	330	449	01.13-	*
2645 S, 2645 LS (OM 471.906)	Diesel	12809	330	449	01.13-	*
3345 AS	Diesel	12809	330	449	01.13-	*
3345S, 3345 LS (OM 471.900)	Diesel	12809	330	449	01.13-	*
1848 AS (OM 471.906)	Diesel	12809	350	476	01.13-	*
1848 LS (OM 471.900)	Diesel	12809	350	476	01.13-	*
1848 LS (OM 471.906)	Diesel	12809	350	476	01.13-	*
2048 AS	Diesel	12809	350	476	01.13-	*
2048 S, 2048 LS	Diesel	12809	350	476	01.13-	*
2548 LS	Diesel	12809	350	476	01.13-	*
2548 LS	Diesel	12809	350	476	01.13-	*

# LISTA DE APLICACIONES - BUYERS GUIDE

2548 LS		Diesel		12809	350	476	01.13-	*
2648 LS (OM 471.900)		Diesel		12809	350	476	01.13-	*
2648 LS		Diesel		12809	350	476	01.13-	*
2648 S, 2648 LS		Diesel		12809	350	476	01.13-	*
3348 AS (OM 471.906)		Diesel		12809	350	476	01.13-	*
3348 S, 3348 LS (OM 471.900)		Diesel		12809	350	476	01.13-	*
1851 AS (OM 471.909)		Diesel		12809	375	510	01.13-	*
1851 LS (OM 471.909)		Diesel		12809	375	510	01.13-	*
2051 AS (OM 471.909)		Diesel		12809	375	510	01.13-	*
2051 S, 2051 LS (OM 471.909)		Diesel		12809	375	510	01.13-	*
2551 LS (OM 471.909)		Diesel		12809	375	510	01.13-	*
2551 LS (OM 471.909)		Diesel		12809	375	510	01.13-	*
2551 LS (OM 471.909)		Diesel		12809	375	510	01.13-	*
2551 LS (OM 471.909)		Diesel		12809	375	510	01.13-	*
2651 LS (OM 471.909)		Diesel		12809	375	510	01.13-	*
2651 LS (OM 471.909)		Diesel		12809	375	510	01.13-	*
2651 S, 2651 LS (OM 471.909)		Diesel		12809	375	510	01.13-	*
3351 S, 3351 LS (OM 471.909)		Diesel		12809	375	510	01.13-	*
1853 AS		Diesel		12809	390	530	07.15-	*
2053 AS		Diesel		12809	390	530	07.15-	*
3353 AS		Diesel		12809	390	530	07.15-	*
3352 AS		Diesel		15569	380	517	05.13-	*
3352 SLT		Diesel		15569	380	517	04.14-	*
4052 SLT		Diesel		15569	380	517	04.14-	*
4152 SLT		Diesel		15569	380	517	04.14-	*
4152 SLT		Diesel		15569	380	517	04.14-	*
4452 SLT		Diesel		15569	380	517	04.14-	*
4852 SLT		Diesel		15569	380	517	04.14-	*
3358 AS		Diesel		15569	425	578	05.13-	*
3358 SLT		Diesel		15569	425	578	04.14-	*
4058 SLT		Diesel		15569	425	578	04.14-	*
4158 SLT		Diesel		15569	425	578	04.14-	*
4158 SLT		Diesel		15569	425	578	04.14-	*
4458 SLT		Diesel		15569	425	578	04.14-	*
4858 SLT		Diesel		15569	425	578	04.14-	*
3363 AS		Diesel		15569	460	625	05.13-	*
3363 SLT		Diesel		15569	460	625	04.14-	*
4063 SLT		Diesel		15569	460	625	04.14-	*
4163 SLT		Diesel		15569	460	625	04.14-	*
4163 SLT		Diesel		15569	460	625	04.14-	*
4463 SLT		Diesel		15569	460	625	04.14-	*
4863 SLT		Diesel		15569	460	625	04.14-	*
<b>AROCS 01.13-</b>								<b>Caja/Chasis</b>
1824 (OM 936.912)		Diesel		7698	175	238	01.13-	*
1824 A (OM 936.912)		Diesel		7698	175	238	01.13-	*
2024 (OM 936.912)		Diesel		7698	175	238	01.13-	*
1827 (OM 936.912)		Diesel		7698	200	272	01.13-	*
2027 (OM 936.912)		Diesel		7698	200	272	01.13-	*
2527 L (OM 936.912)		Diesel		7698	200	272	01.13-	*
2527 L (OM 936.912)		Diesel		7698	200	272	01.13-	*
2627, 2627 L (OM 936.912)		Diesel		7698	200	272	01.13-	*

# LISTA DE APLICACIONES - BUYERS GUIDE

2627 L (OM 936.912)	Diesel	7698	200	272	01.13-	*
2627 L (OM 936.912)	Diesel	7698	200	272	01.13-	*
3227, 3227 L (OM 936.912)	Diesel	7698	200	272	01.13-	*
3227 L (OM 936.912)	Diesel	7698	200	272	01.13-	*
1830 (OM 936.912)	Diesel	7698	220	299	01.13-	*
2030 (OM 936.912)	Diesel	7698	220	299	01.13-	*
2530 L (OM 936.912)	Diesel	7698	220	299	01.13-	*
2530 L (OM 936.912)	Diesel	7698	220	299	01.13-	*
2630, 2630 L (OM 936.912)	Diesel	7698	220	299	01.13-	*
2630 L (OM 936.912)	Diesel	7698	220	299	01.13-	*
2630 L (OM 936.912)	Diesel	7698	220	299	01.13-	*
3230, 3230 L (OM 936.912)	Diesel	7698	220	299	01.13-	*
3230 L (OM 936.912)	Diesel	7698	220	299	01.13-	*
1832 (OM 936.916)	Diesel	7698	235	320	01.13-	*
2032 (OM 936.916)	Diesel	7698	235	320	01.13-	*
2532 L (OM 936.916)	Diesel	7698	235	320	01.13-	*
2532 L (OM 936.916)	Diesel	7698	235	320	01.13-	*
2632, 2632 L (OM 936.916)	Diesel	7698	235	320	01.13-	*
2632 L (OM 936.916)	Diesel	7698	235	320	01.13-	*
2632 L (OM 936.916)	Diesel	7698	235	320	01.13-	*
3232, 3232 L (OM 936.916)	Diesel	7698	235	320	01.13-	*
3232 L (OM 936.916)	Diesel	7698	235	320	01.13-	*
1835 (OM 936.916)	Diesel	7698	260	354	01.13-	*
1835 A (OM 936.916)	Diesel	7698	260	354	01.13-	*
2035 (OM 936.916)	Diesel	7698	260	354	01.13-	*
2535 L (OM 936.916)	Diesel	7698	260	354	01.13-	*
2535 L (OM 936.916)	Diesel	7698	260	354	01.13-	*
2635, 2635 L (OM 936.916)	Diesel	7698	260	354	01.13-	*
2635 L (OM 936.916)	Diesel	7698	260	354	01.13-	*
2635 L (OM 936.916)	Diesel	7698	260	354	01.13-	*
3235, 3235 L (OM 936.916)	Diesel	7698	260	354	01.13-	*
3235 L (OM 936.916)	Diesel	7698	260	354	01.13-	*
1833 (OM 470.906)	Diesel	10677	240	326	01.13-	*
1833 A (OM 470.906)	Diesel	10677	240	326	01.13-	*
2033 (OM 470.906)	Diesel	10677	240	326	01.13-	*
2033 A (OM 470.906)	Diesel	10677	240	326	01.13-	*
2533 L (OM 470.906)	Diesel	10677	240	326	01.13-	*
2533 L	Diesel	10677	240	326	01.13-	*
2633, 2633 L (OM 470.906)	Diesel	10677	240	326	01.13-	*
2633 L (OM 470.906)	Diesel	10677	240	326	01.13-	*
2633 L	Diesel	10677	240	326	01.13-	*
3233, 3233 L (OM 470.906)	Diesel	10677	240	326	01.13-	*
3233 L (OM 470.906)	Diesel	10677	240	326	01.13-	*
3333, 3333 L (OM 470.906)	Diesel	10677	240	326	01.13-	*
3333 A (OM 470.906)	Diesel	10677	240	326	01.13-	*
4133 (OM 470.906)	Diesel	10677	240	326	01.13-	*
1836	Diesel	10677	265	360	01.13-	*
1836 A (OM 470.908)	Diesel	10677	265	360	01.13-	*
1836 A (OM 470.910)	Diesel	10677	265	360	01.13-	*
1836 A (OM 470.913)	Diesel	10677	265	360	01.13-	*
2036 (OM 470.903)	Diesel	10677	265	360	01.13-	*

# LISTA DE APLICACIONES - BUYERS GUIDE

2036 (OM 470.910)	Diesel	10677	265	360	01.13-	*
2036 (OM 470.913)	Diesel	10677	265	360	01.13-	*
2036 A (OM 470.903)	Diesel	10677	265	360	01.13-	*
2036 A (OM 470.910)	Diesel	10677	265	360	01.13-	*
2036 A (OM 470.913)	Diesel	10677	265	360	01.13-	*
2536 L	Diesel	10677	265	360	01.13-	*
2536 L	Diesel	10677	265	360	01.13-	*
2636, 2636 L	Diesel	10677	265	360	01.13-	*
2636 L (OM 470.903)	Diesel	10677	265	360	01.13-	*
2636 L (OM 470.910)	Diesel	10677	265	360	01.13-	*
2636 L (OM 470.913)	Diesel	10677	265	360	01.13-	*
2636 L	Diesel	10677	265	360	01.13-	*
3236, 3236 L	Diesel	10677	265	360	01.13-	*
3236 L	Diesel	10677	265	360	01.13-	*
3336, 3336 L	Diesel	10677	265	360	01.13-	*
3336 A	Diesel	10677	265	360	01.13-	*
4136	Diesel	10677	265	360	01.13-	*
1840 (OM 470.906)	Diesel	10677	290	394	01.13-	*
1840 A (OM 470.906)	Diesel	10677	290	394	01.13-	*
2040 (OM 470.906)	Diesel	10677	290	394	01.13-	*
2040 A (OM 470.906)	Diesel	10677	290	394	01.13-	*
2540 L (OM 470.906)	Diesel	10677	290	394	01.13-	*
2540 L (OM 470.906)	Diesel	10677	290	394	01.13-	*
2640, 2640 L (OM 470.906)	Diesel	10677	290	394	01.13-	*
2640 L (OM 470.906)	Diesel	10677	290	394	01.13-	*
2640 L (OM 470.906)	Diesel	10677	290	394	01.13-	*
3240, 3240 L (OM 470.906)	Diesel	10677	290	394	01.13-	*
3240 L (OM 470.906)	Diesel	10677	290	394	01.13-	*
3340, 3340 L (OM 470.906)	Diesel	10677	290	394	01.13-	*
3340 A (OM 470.906)	Diesel	10677	290	394	01.13-	*
4140 (OM 470.906)	Diesel	10677	290	394	01.13-	*
1843 (OM 470.906)	Diesel	10677	315	428	01.13-	*
1843 A (OM 470.906)	Diesel	10677	315	428	01.13-	*
2043 (OM 470.906)	Diesel	10677	315	428	01.13-	*
2043 A (OM 470.906)	Diesel	10677	315	428	01.13-	*
2543 L (OM 470.906)	Diesel	10677	315	428	01.13-	*
2543 L (OM 470.906)	Diesel	10677	315	428	01.13-	*
2643, 2643 L (OM 470.906)	Diesel	10677	315	428	01.13-	*
2643 L (OM 470.906)	Diesel	10677	315	428	01.13-	*
2643 L (OM 470.906)	Diesel	10677	315	428	01.13-	*
3243, 3243 L (OM 470.906)	Diesel	10677	315	428	01.13-	*
3243 L (OM 470.906)	Diesel	10677	315	428	01.13-	*
3343, 3343 L (OM 470.906)	Diesel	10677	315	428	01.13-	*
3343 A (OM 470.906)	Diesel	10677	315	428	01.13-	*
4143 (OM 470.906)	Diesel	10677	315	428	01.13-	*
1846 A	Diesel	10677	335	455	07.15-	*
2046 A	Diesel	10677	335	455	07.15-	*
3346 A	Diesel	10677	335	455	07.15-	*
1842 (OM 471.900)	Diesel	12809	310	422	01.13-	*
1842 A (OM 471.900)	Diesel	12809	310	422	01.13-	*
2042 (OM 471.900)	Diesel	12809	310	422	01.13-	*

# LISTA DE APLICACIONES - BUYERS GUIDE

2042 A (OM 471.900)	Diesel	12809	310	422	01.13-	*
2542 L (OM 471.900)	Diesel	12809	310	422	01.13-	*
2642, 2642 L (OM 471.900)	Diesel	12809	310	422	01.13-	*
2642 L (OM 471.900)	Diesel	12809	310	422	01.13-	*
2642 L	Diesel	12809	310	422	01.13-	*
3242, 3242 L (OM 471.900)	Diesel	12809	310	422	01.13-	*
3242 L (OM 471.900)	Diesel	12809	310	422	01.13-	*
3342, 3342 L (OM 471.900)	Diesel	12809	310	422	01.13-	*
3342 A (OM 471.900)	Diesel	12809	310	422	01.13-	*
4142 (OM 471.900)	Diesel	12809	310	422	01.13-	*
1845 (OM 471.900)	Diesel	12809	330	449	01.13-	*
1845 (OM 471.906)	Diesel	12809	330	449	01.13-	*
1845 A	Diesel	12809	330	449	01.13-	*
2045 (OM 471.900)	Diesel	12809	330	449	01.13-	*
2045 (OM 471.906)	Diesel	12809	330	449	01.13-	*
2045 A	Diesel	12809	330	449	01.13-	*
2545 L (OM 471.900)	Diesel	12809	330	449	01.13-	*
2545 L (OM 471.906)	Diesel	12809	330	449	01.13-	*
2645, 2645 L (OM 471.900)	Diesel	12809	330	449	01.13-	*
2645, 2645 L (OM 471.906)	Diesel	12809	330	449	01.13-	*
2645 L (OM 471.900)	Diesel	12809	330	449	01.13-	*
2645 L (OM 471.900)	Diesel	12809	330	449	01.13-	*
3245, 3245 L (OM 471.900)	Diesel	12809	330	449	01.13-	*
3245 L (OM 471.900)	Diesel	12809	330	449	01.13-	*
3345, 3345 L (OM 471.900)	Diesel	12809	330	449	01.13-	*
3345 A	Diesel	12809	330	449	01.13-	*
4145 (OM 471.900)	Diesel	12809	330	449	01.13-	*
1848 (OM 471.900)	Diesel	12809	350	476	01.13-	*
1848 (OM 471.906)	Diesel	12809	350	476	01.13-	*
1848 A (OM 471.906)	Diesel	12809	350	476	01.13-	*
2048	Diesel	12809	350	476	01.13-	*
2048 A	Diesel	12809	350	476	01.13-	*
2548 L (OM 471.900)	Diesel	12809	350	476	01.13-	*
2548 L (OM 471.906)	Diesel	12809	350	476	01.13-	*
2648, 2648 L	Diesel	12809	350	476	01.13-	*
2648 L (OM 471.900)	Diesel	12809	350	476	01.13-	*
2648 L	Diesel	12809	350	476	01.13-	*
3248, 3248 L	Diesel	12809	350	476	01.13-	*
3248 L	Diesel	12809	350	476	01.13-	*
3348, 3348 L (OM 471.900)	Diesel	12809	350	476	01.13-	*
3348 A	Diesel	12809	350	476	01.13-	*
4148 (OM 471.900)	Diesel	12809	350	476	01.13-	*
1851 (OM 471.909)	Diesel	12809	375	510	01.13-	*
1851 A (OM 471.909)	Diesel	12809	375	510	01.13-	*
2051 (OM 471.909)	Diesel	12809	375	510	01.13-	*
2051 A (OM 471.909)	Diesel	12809	375	510	01.13-	*
2551 L (OM 471.909)	Diesel	12809	375	510	01.13-	*
2551 L (OM 471.909)	Diesel	12809	375	510	01.13-	*
2651, 2651 L (OM 471.909)	Diesel	12809	375	510	01.13-	*
2651 L (OM 471.909)	Diesel	12809	375	510	01.13-	*
2651 L (OM 471.909)	Diesel	12809	375	510	01.13-	*

# LISTA DE APLICACIONES - BUYERS GUIDE

3251, 3251 L (OM 471.909)	Diesel	12809	375	510	01.13-	*
3251 L (OM 471.909)	Diesel	12809	375	510	01.13-	*
3351, 3351 L (OM 471.909)	Diesel	12809	375	510	01.13-	*
3351 A (OM 471.909)	Diesel	12809	375	510	01.13-	*
4151 (OM 471.909)	Diesel	12809	375	510	01.13-	*
1853 A	Diesel	12809	390	530	07.15-	*
2053 A	Diesel	12809	390	530	07.15-	*
3353 A	Diesel	12809	390	530	07.15-	*
2552 L	Diesel	15569	380	517	01.14-	*
3352 A	Diesel	15569	380	517	05.13-	*
2558 L	Diesel	15569	425	578	01.14-	*
3358 A	Diesel	15569	425	578	05.13-	*
2563 L	Diesel	15569	460	625	01.14-	*
3363 A	Diesel	15569	460	625	05.13-	*
<b>AROCS 01.13-</b>				<b>Camión volquete</b>		
1824AK (OM 936.912)	Diesel	7698	175	238	01.13-	*
1824K (OM 936.912)	Diesel	7698	175	238	01.13-	*
2024K (OM 936.912)	Diesel	7698	175	238	01.13-	*
1827 AK (OM 936.912)	Diesel	7698	200	272	01.13-	*
1827 K (OM 936.912)	Diesel	7698	200	272	01.13-	*
2027 K (OM 936.912)	Diesel	7698	200	272	01.13-	*
2627 K, 2627 LK (OM 936.912)	Diesel	7698	200	272	01.13-	*
3227 K, 3227 LK (OM 936.912)	Diesel	7698	200	272	01.13-	*
3227 LK (OM 936.912)	Diesel	7698	200	272	01.13-	*
1830 AK (OM 936.912)	Diesel	7698	220	299	01.13-	*
1830 K (OM 936.912)	Diesel	7698	220	299	01.13-	*
2030 K (OM 936.912)	Diesel	7698	220	299	01.13-	*
2630 K, 2630 LK (OM 936.912)	Diesel	7698	220	299	01.13-	*
3230 K, 3230 LK (OM 936.912)	Diesel	7698	220	299	01.13-	*
3230 LK (OM 936.912)	Diesel	7698	220	299	01.13-	*
1832 AK (OM 936.916)	Diesel	7698	235	320	01.13-	*
1832 K (OM 936.916)	Diesel	7698	235	320	01.13-	*
2032 K (OM 936.916)	Diesel	7698	235	320	01.13-	*
2632 K, 2632 LK (OM 936.916)	Diesel	7698	235	320	01.13-	*
3232 K, 3232 LK (OM 936.916)	Diesel	7698	235	320	01.13-	*
3232 LK (OM 936.916)	Diesel	7698	235	320	01.13-	*
1835 AK (OM 936.916)	Diesel	7698	260	354	01.13-	*
1835 K (OM 936.916)	Diesel	7698	260	354	01.13-	*
2035 K (OM 936.916)	Diesel	7698	260	354	01.13-	*
3235 K, 3235 LK (OM 936.916)	Diesel	7698	260	354	01.13-	*
3235 LK (OM 936.916)	Diesel	7698	260	354	01.13-	*
1833 AK (OM 470.906)	Diesel	10677	240	326	01.13-	*
1833 K (OM 470.906)	Diesel	10677	240	326	01.13-	*
2033 AK (OM 470.906)	Diesel	10677	240	326	01.13-	*
2033 K (OM 470.906)	Diesel	10677	240	326	01.13-	*
2633 K, 2633 LK (OM 470.906)	Diesel	10677	240	326	01.13-	*
3233 K, 3233 LK (OM 470.906)	Diesel	10677	240	326	01.13-	*
3233 LK (OM 470.906)	Diesel	10677	240	326	01.13-	*
3333 AK (OM 470.906)	Diesel	10677	240	326	01.13-	*
3333 K, 3333 LK (OM 470.906)	Diesel	10677	240	326	01.13-	*
4133 AK (OM 470.906)	Diesel	10677	240	326	01.13-	*

## LISTA DE APLICACIONES - BUYERS GUIDE

4133 AK (OM 470.906)	Diesel	10677	240	326	01.13-	*
4133 K (OM 470.906)	Diesel	10677	240	326	01.13-	*
4136 AK (OM 470.903)	Diesel	10677	240	326	01.13-	*
4136 AK (OM 470.903)	Diesel	10677	240	326	01.13-	*
1836 AK (OM 470.908)	Diesel	10677	265	360	01.13-	*
1836 AK (OM 470.910)	Diesel	10677	265	360	01.13-	*
1836 AK (OM 470.913)	Diesel	10677	265	360	01.13-	*
1836 K (OM 470.903)	Diesel	10677	265	360	01.13-	*
1836 K (OM 470.910)	Diesel	10677	265	360	01.13-	*
1836 K (OM 470.913)	Diesel	10677	265	360	01.13-	*
2036 AK (OM 470.903)	Diesel	10677	265	360	01.13-	*
2036 AK (OM 470.910)	Diesel	10677	265	360	01.13-	*
2036 AK (OM 470.913)	Diesel	10677	265	360	01.13-	*
2036 K (OM 470.903)	Diesel	10677	265	360	01.13-	*
2036 K (OM 470.910)	Diesel	10677	265	360	01.13-	*
2036 K (OM 470.913)	Diesel	10677	265	360	01.13-	*
2636 K, 2636 LK	Diesel	10677	265	360	01.13-	*
3236 K, 3236 LK	Diesel	10677	265	360	01.13-	*
3236 LK	Diesel	10677	265	360	01.13-	*
3336AK	Diesel	10677	265	360	01.13-	*
3336 K, 3336 LK	Diesel	10677	265	360	01.13-	*
4136 K	Diesel	10677	265	360	01.13-	*
1840 AK (OM 470.906)	Diesel	10677	290	394	01.13-	*
1840 K (OM 470.906)	Diesel	10677	290	394	01.13-	*
2040 AK (OM 470.906)	Diesel	10677	290	394	01.13-	*
2040 K (OM 470.906)	Diesel	10677	290	394	01.13-	*
2640 K, 2640 LK (OM 470.906)	Diesel	10677	290	394	01.13-	*
3240 K, 3240 LK (OM 470.906)	Diesel	10677	290	394	01.13-	*
3240 LK (OM 470.906)	Diesel	10677	290	394	01.13-	*
3340 AK (OM 470.906)	Diesel	10677	290	394	01.13-	*
3340 K, 3340 LK (OM 470.906)	Diesel	10677	290	394	01.13-	*
4140 AK (OM 470.903)	Diesel	10677	290	394	01.13-	*
4140 AK (OM 470.906)	Diesel	10677	290	394	01.13-	*
4140 AK (OM 470.903)	Diesel	10677	290	394	01.13-	*
4140 AK (OM 470.906)	Diesel	10677	290	394	01.13-	*
4140 K (OM 470.906)	Diesel	10677	290	394	01.13-	*
1843 AK (OM 470.906)	Diesel	10677	315	428	01.13-	*
1843 K (OM 470.906)	Diesel	10677	315	428	01.13-	*
2043 AK (OM 470.906)	Diesel	10677	315	428	01.13-	*
2043 K (OM 470.906)	Diesel	10677	315	428	01.13-	*
2643 K, 2643 LK (OM 470.906)	Diesel	10677	315	428	01.13-	*
3243 K, 3243 LK (OM 470.906)	Diesel	10677	315	428	01.13-	*
3243 LK (OM 470.906)	Diesel	10677	315	428	01.13-	*
3343 AK (OM 470.906)	Diesel	10677	315	428	01.13-	*
3343 K, 3343 LK (OM 470.906)	Diesel	10677	315	428	01.13-	*
4143 AK (OM 470.903)	Diesel	10677	315	428	01.13-	*
4143 AK (OM 470.906)	Diesel	10677	315	428	01.13-	*
4143 AK (OM 470.903)	Diesel	10677	315	428	01.13-	*
4143 AK (OM 470.906)	Diesel	10677	315	428	01.13-	*
4143 K (OM 470.906)	Diesel	10677	315	428	01.13-	*
1846 AK	Diesel	10677	335	455	07.15-	*

## LISTA DE APLICACIONES - BUYERS GUIDE

2046 AK		Diesel		10677	335	455	07.15-	*
3346 AK		Diesel		10677	335	455	07.15-	*
4146 AK		Diesel		10677	335	455	07.15-	*
4146 AK		Diesel		10677	335	455	07.15-	*
1842 AK (OM 471.900)		Diesel		12809	310	422	01.13-	*
1842 K (OM 471.900)		Diesel		12809	310	422	01.13-	*
2042 AK (OM 471.900)		Diesel		12809	310	422	01.13-	*
2042 K (OM 471.900)		Diesel		12809	310	422	01.13-	*
2642 K, 2642 LK (OM 471.900)		Diesel		12809	310	422	01.13-	*
3242 K, 3242 LK (OM 471.900)		Diesel		12809	310	422	01.13-	*
3242 LK (OM 471.900)		Diesel		12809	310	422	01.13-	*
3342 AK (OM 471.900)		Diesel		12809	310	422	01.13-	*
3342 K, 3342 LK (OM 471.900)		Diesel		12809	310	422	01.13-	*
4142 AK (OM 471.900)		Diesel		12809	310	422	01.13-	*
4142 K (OM 471.900)		Diesel		12809	310	422	01.13-	*
1845 AK		Diesel		12809	330	449	01.13-	*
1845 K (OM 471.900)		Diesel		12809	330	449	01.13-	*
1845 K (OM 471.906)		Diesel		12809	330	449	01.13-	*
2045 AK		Diesel		12809	330	449	01.13-	*
2045 K (OM 471.900)		Diesel		12809	330	449	01.13-	*
2045 K (OM 471.906)		Diesel		12809	330	449	01.13-	*
2645 K, 2645 LK (OM 471.900)		Diesel		12809	330	449	01.13-	*
3245 K, 3245 LK (OM 471.900)		Diesel		12809	330	449	01.13-	*
3245 LK (OM 471.900)		Diesel		12809	330	449	01.13-	*
3345 AK		Diesel		12809	330	449	01.13-	*
3345K, 3345 LK (OM 471.900)		Diesel		12809	330	449	01.13-	*
4145 AK (OM 471.906)		Diesel		12809	330	449	01.13-	*
4145 AK (OM 471.906)		Diesel		12809	330	449	01.13-	*
4145 K (OM 471.900)		Diesel		12809	330	449	01.13-	*
1848 AK (OM 471.906)		Diesel		12809	350	476	01.13-	*
1848 K (OM 471.900)		Diesel		12809	350	476	01.13-	*
1848 K (OM 471.906)		Diesel		12809	350	476	01.13-	*
2048 AK		Diesel		12809	350	476	01.13-	*
2048 K (OM 471.900)		Diesel		12809	350	476	01.13-	*
2048 K (OM 471.906)		Diesel		12809	350	476	01.13-	*
2648 K, 2648 LK		Diesel		12809	350	476	01.13-	*
3248 K, 3248 LK		Diesel		12809	350	476	01.13-	*
3248 LK		Diesel		12809	350	476	01.13-	*
3348 AK (OM 471.906)		Diesel		12809	350	476	01.13-	*
3348 K, 3348 LK (OM 471.900)		Diesel		12809	350	476	01.13-	*
4148 AK (OM 471.906)		Diesel		12809	350	476	01.13-	*
4148 AK (OM 471.906)		Diesel		12809	350	476	01.13-	*
4148 K (OM 471.900)		Diesel		12809	350	476	01.13-	*
1851 AK (OM 471.909)		Diesel		12809	375	510	01.13-	*
1851 K (OM 471.909)		Diesel		12809	375	510	01.13-	*
2051 AK (OM 471.909)		Diesel		12809	375	510	01.13-	*
2051 K (OM 471.909)		Diesel		12809	375	510	01.13-	*
2651 K, 2651 LK (OM 471.909)		Diesel		12809	375	510	01.13-	*
3251 K, 3251 LK (OM 471.909)		Diesel		12809	375	510	01.13-	*
3251 LK (OM 471.909)		Diesel		12809	375	510	01.13-	*
3351 AK (OM 471.909)		Diesel		12809	375	510	01.13-	*

## LISTA DE APLICACIONES - BUYERS GUIDE

3351 K, 3351 LK (OM 471.909)	Diesel		12809	375	510	01.13-	*
4151 AK (OM 471.906)	Diesel		12809	375	510	01.13-	*
4151 AK (OM 471.909)	Diesel		12809	375	510	01.13-	*
4151 AK (OM 471.906)	Diesel		12809	375	510	01.13-	*
4151 AK (OM 471.909)	Diesel		12809	375	510	01.13-	*
4151 K (OM 471.909)	Diesel		12809	375	510	01.13-	*
1853AK	Diesel		12809	390	530	07.15-	*
2053 AK	Diesel		12809	390	530	07.15-	*
3353 AK	Diesel		12809	390	530	07.15-	*
4153 AK	Diesel		12809	390	530	07.15-	*
4153 AK	Diesel		12809	390	530	07.15-	*
3352 AK	Diesel		15569	380	517	05.13-	*
4152 AK	Diesel		15569	380	517	05.13-	*
4152 AK	Diesel		15569	380	517	07.15-	*
3358 AK	Diesel		15569	425	578	05.13-	*
4158 AK	Diesel		15569	425	578	05.13-	*
4158 AK	Diesel		15569	425	578	07.15-	*
3363 AK	Diesel		15569	460	625	05.13-	*
4163 AK	Diesel		15569	460	625	05.13-	*
4163 AK	Diesel		15569	460	625	07.15-	*
<b>AROCS 01.13-</b>							<b>Hormigonera</b>
2627 B, 2627 LB (OM 936.912)	Diesel		7698	200	272	01.13-	*
3227 B, 3227 LB (OM 936.912)	Diesel		7698	200	272	01.13-	*
3227 LB (OM 936.912)	Diesel		7698	200	272	01.13-	*
2630 B, 2630 LB (OM 936.912)	Diesel		7698	220	299	01.13-	*
3230 B, 3230 LB (OM 936.912)	Diesel		7698	220	299	01.13-	*
3230 LB (OM 936.912)	Diesel		7698	220	299	01.13-	*
2632 B, 2632 LB (OM 936.916)	Diesel		7698	235	320	01.13-	*
3232 B, 3232 LB (OM 936.916)	Diesel		7698	235	320	01.13-	*
3232 LB (OM 936.916)	Diesel		7698	235	320	01.13-	*
2635 B, 2635 LB (OM 936.916)	Diesel		7698	260	354	01.13-	*
3235 B, 3235 LB (OM 936.916)	Diesel		7698	260	354	01.13-	*
3235 LB (OM 936.916)	Diesel		7698	260	354	01.13-	*
2633 B, 2633 LB (OM 470.906)	Diesel		10677	240	326	01.13-	*
3233 B, 3233 LB (OM 470.906)	Diesel		10677	240	326	01.13-	*
3233 LB (OM 470.906)	Diesel		10677	240	326	01.13-	*
3333 B, 3333 LB (OM 470.906)	Diesel		10677	240	326	01.13-	*
4133 B (OM 470.906)	Diesel		10677	240	326	01.13-	*
2636 B, 2636 LB	Diesel		10677	265	360	01.13-	*
3236 B, 3236 LB	Diesel		10677	265	360	01.13-	*
3236 LB	Diesel		10677	265	360	01.13-	*
3336 B, 3336 LB	Diesel		10677	265	360	01.13-	*
4136 B	Diesel		10677	265	360	01.13-	*
2640 B, 2640 LB (OM 470.906)	Diesel		10677	290	394	01.13-	*
3240 B, 3240 LB (OM 470.906)	Diesel		10677	290	394	01.13-	*
3240 LB (OM 470.906)	Diesel		10677	290	394	01.13-	*
3340 B, 3340 LB (OM 470.906)	Diesel		10677	290	394	01.13-	*
4140 B (OM 470.906)	Diesel		10677	290	394	01.13-	*
2643 B, 2643 LB (OM 470.906)	Diesel		10677	315	428	01.13-	*
3243 B, 3243 LB (OM 470.906)	Diesel		10677	315	428	01.13-	*
3243 LB (OM 470.906)	Diesel		10677	315	428	01.13-	*

## LISTA DE APLICACIONES - BUYERS GUIDE

3343 B, 3343 LB (OM 470.906)	Diesel		10677	315	428	01.13-	*
4143 B (OM 470.906)	Diesel		10677	315	428	01.13-	*
2642 B, 2642 LB (OM 471.900)	Diesel		12809	310	422	01.13-	*
3242 B, 3242 LB (OM 471.900)	Diesel		12809	310	422	01.13-	*
3242 LB (OM 471.900)	Diesel		12809	310	422	01.13-	*
3342 B, 3342 LB (OM 471.900)	Diesel		12809	310	422	01.13-	*
4142 B (OM 471.900)	Diesel		12809	310	422	01.13-	*
2645 B, 2645 LB (OM 471.900)	Diesel		12809	330	449	01.13-	*
3245 B, 3245 LB	Diesel		12809	330	449	01.13-	*
3245 LB (OM 471.900)	Diesel		12809	330	449	01.13-	*
3345B, 3345 LB (OM 471.900)	Diesel		12809	330	449	01.13-	*
4145 B (OM 471.900)	Diesel		12809	330	449	01.13-	*
2648 B, 2648 LB	Diesel		12809	350	476	01.13-	*
3248 B, 3248 LB	Diesel		12809	350	476	01.13-	*
3248 LB	Diesel		12809	350	476	01.13-	*
3348 B, 3348 LB (OM 471.900)	Diesel		12809	350	476	01.13-	*
4148 B (OM 471.900)	Diesel		12809	350	476	01.13-	*
2651 B, 2651 LB (OM 471.909)	Diesel		12809	375	510	01.13-	*
3251 B, 3251 LB (OM 471.909)	Diesel		12809	375	510	01.13-	*
3251 LB (OM 471.909)	Diesel		12809	375	510	01.13-	*
3351 B, 3351 LB (OM 471.909)	Diesel		12809	375	510	01.13-	*
4151 B (OM 471.909)	Diesel		12809	375	510	01.13-	*
<b>ECONIC 2 04.13-</b>							<b>Caja/Chasis</b>
1827 LL	Diesel		7698	200	272	09.17-	*
2627 LL	Diesel		7698	200	272	09.17-	*
1830 LL (OM 936.912)	Diesel		7698	220	299	04.13-	*
2630 LL (OM 936.912)	Diesel		7698	220	299	04.13-	*
2630 LL (OM 936.912)	Diesel		7698	220	299	04.13-	*
1835 LL	Diesel		7698	260	354	04.13-	*
2635 LL	Diesel		7698	260	354	04.13-	*
2635 LL	Diesel		7698	260	354	04.13-	*
<b>ECONIC 2 04.13-</b>							<b>Caja/Chasis</b>
1830 LL CNG	Gasolina		7698	222	302	09.14-	*
2630 LL CNG	Gasolina		7698	222	302	09.14-	*
<b>ECONIC 2 04.13-</b>							<b>Caja/Chasis</b>
eECONIC 2730 LL	Mixto		0	400	544	11.21-	*