

LISTA DE APLICACIONES - BUYERS GUIDE

RB2118

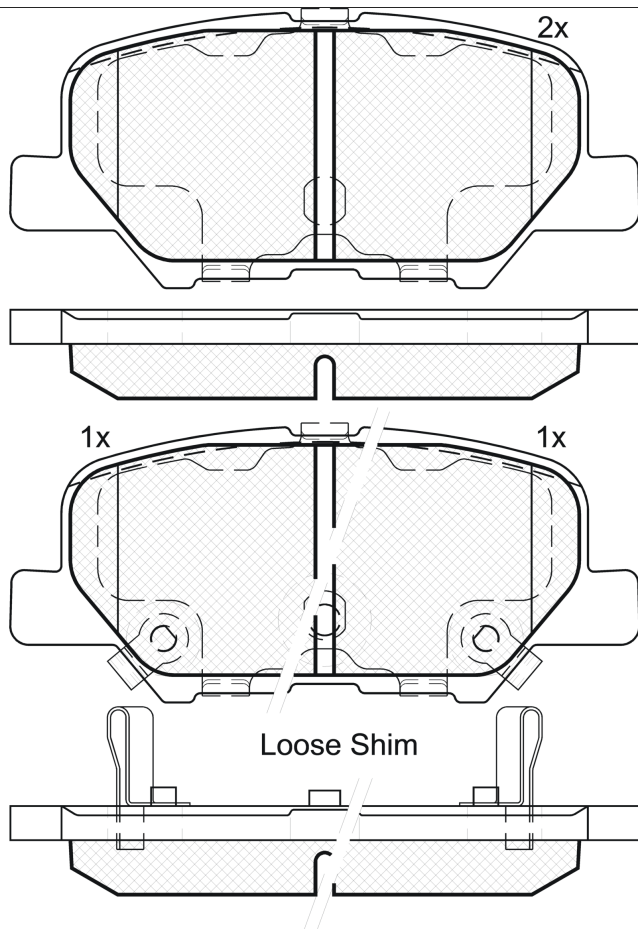


8 424073 138521

Qty: 944

Weight: 850

O.E.M.	MAKE
16 098 996 80	PEUGEOT
16 197 907 80	PEUGEOT
16 203 686 80	PEUGEOT
16 356 771 80	CITROËN
46 05A 802	MITSUBISHI
46 05A 998	MITSUBISHI
46 05B 070	MITSUBISHI
46 05B 071	MITSUBISHI
46 05B 384	MITSUBISHI
46 05B 806	MITSUBISHI
46 05B 807	MITSUBISHI
46 05B 808	MITSUBISHI
46 05B 914	MITSUBISHI
46 05B 915	MITSUBISHI
46 05B 916	MITSUBISHI
46 05B805	MITSUBISHI
BJY7-26-48Z	MAZDA
GHY9-26-48Z	MAZDA
GHY9-26-48ZA	MAZDA
GHY9-26-48ZB	MAZDA
GHY9-26-48ZC	MAZDA
GHY92648ZD	MAZDA
MZ 690 592	MITSUBISHI



RB2118

E 9 90R-02A0110/3652



Akebono

101.5x44.4x14.9

WVA	FMSI
25688	D1679-8908
25689	
25690	

Sin Filas



Trac.	CC	Kw	CV
-------	----	----	----



Front / Rear

CHANGAN

							SUV ()	
CS35 10.12-								
1.5		Gasolina	FWD	1468	115	156	02.16-	*
1.6		Gasolina	FWD	1598	92	125	10.12-	*
CS35 II PLUS 10.18-								
280 T (JL473ZQ3)							SUV ()	
		Gasolina	FWD	1392	116	158	07.19-	*
280 T (JL473ZQ9)							SUV ()	
		Gasolina	FWD	1392	118	160	03.21-	*
1.6 (JL478QEP)							SUV ()	
		Gasolina	FWD	1598	94	128	10.18-	*

CITROËN

							SUV (Mini SUV-J Segment)	
C4 AIRCROSS 08.10-								
1.5 Flex		Gasolina	FWD	1449	68	93	11.15-	*
1.6 Flex		Gasolina	FWD	1587	81	110	08.10-	*
1.6 Flex		Gasolina	FWD	1587	81	113	08.10-	*
1.6		Gasolina	FWD	1587	85	115	07.12-	*
1.6 (4A92)		Gasolina	FWD	1590	86	117	04.12-	*
1.6 (NKZ (4A92))		Gasolina	FWD	1590	86	117	04.12-	*
1.6 Flex		Gasolina	FWD	1590	90	122	07.12-	*
2.0		Gasolina	FWD	1998	110	150	04.12-	*
2.0 AWC		Gasolina	4WD	1998	110	150	04.12-	*
1.6 HDi 115 (9HD (DV6C))		Diesel	FWD	1560	84	114	04.12-	*
1.6 HDi 115 AWC (9HL (DV6C))		Diesel	4WD	1560	84	114	05.12-	*
1.8 HDi 150 (4N13)		Diesel	FWD	1798	103	140	04.12-	*
1.8 HDi 150 (4N13)		Diesel	FWD	1798	110	150	04.12-	*
1.8 HDi 150 AWC (4N13)		Diesel	4WD	1798	110	150	04.12-	*

LISTA DE APLICACIONES - BUYERS GUIDE

MAZDA

					[CAMBIADO]:Fastback (Compact car-C Segment)				
3 III / AXELA (BM, BN) 07.13-									
2.0 (BMEFS, BM547, BN547) (PEY5)		Gasolina	FWD	1998	114	155	11.13-05.19	*	
2.0 (BMEFS, BM547, BN547) (PEY7)		Gasolina	FWD	1998	114	155	11.13-05.19	*	
3 III / AXELA (BM_, BN_) 09.13-					Sedán (Compact car-C Segment)				
2.0 (PEY5)		Gasolina	FWD	1998	112	153	04.15-05.16	*	
2.0 (BMEFP, BM527, BN527) (PEY5)		Gasolina	FWD	1998	114	155	11.13-05.19	*	
2.0 (BMEFP, BM527, BN527) (PEY7)		Gasolina	FWD	1998	114	155	11.13-05.19	*	
6 III / ATENZA (GJ, GL) 08.12-					[CAMBIADO]:Break (Executive car-E Segment)				
2.0		Gasolina	FWD	1997	114	155	07.14-	*	
2.0 (GJEFW) (PEXB)		Gasolina	FWD	1998	107	146	01.13-	*	
2.0 (GJEFW) (PEXL)		Gasolina	FWD	1998	107	146	01.13-	*	
2.0 (GJEFW) (PEY5)		Gasolina	FWD	1998	107	146	01.13-	*	
2.0 (GJEFW) (PEY7)		Gasolina	FWD	1998	107	146	01.13-	*	
2.0 (GJEFW, GJ107) (PE-VPR)		Gasolina	FWD	1998	114	155	12.12-	*	
2.0 (GJEFW, GJ107) (PEY7)		Gasolina	FWD	1998	114	155	12.12-	*	
2.0 (GJEFW) (PEXB)		Gasolina	FWD	1998	121	165	01.13-	*	
2.0 (GJEFW) (PEXL)		Gasolina	FWD	1998	121	165	01.13-	*	
2.0 (GJEFW) (PEY5)		Gasolina	FWD	1998	121	165	01.13-	*	
2.0 (GJEFW) (PEY7)		Gasolina	FWD	1998	121	165	01.13-	*	
2.5 (GJ5FW, GJ1031) (PYY1)		Gasolina	FWD	2488	136	185	12.12-	*	
2.5 (GJ5FW, GJ1031) (PYY3)		Gasolina	FWD	2488	136	185	12.12-	*	
2.5 (GJ5FW, GJ1031)		Gasolina	FWD	2488	138	188	12.12-	*	
2.5 (PYY1)		Gasolina	FWD	2488	141	192	12.12-	*	
2.5 (PY-Y8)		Gasolina	FWD	2488	141	192	12.12-	*	
2.5 (PY-ZA)		Gasolina	FWD	2488	141	192	12.12-	*	
2.2 D (GJ2FW, GJ1021, GJ1022, GL1021) (SH-VPTR)		Diesel	FWD	2188	129	175	07.14-	*	
2.2 D 4WD (GJ2AW) (SH-VPTR)		Diesel	4WD	2188	129	175	07.14-	*	
2.2 D (SHY1)		Diesel	FWD	2191	110	150	10.12-12.20	*	
2.2 D (SHY4)		Diesel	FWD	2191	110	150	10.12-12.20	*	
2.2 D (SHY6)		Diesel	FWD	2191	110	150	10.12-12.20	*	
2.2 D (SHY8)		Diesel	FWD	2191	110	150	10.12-12.20	*	
2.2 D AWD (SHY4)		Diesel	4WD	2191	110	150	12.12-12.20	*	
2.2 D AWD (SHY6)		Diesel	4WD	2191	110	150	12.12-12.20	*	
2.2 D AWD (SHY8)		Diesel	4WD	2191	110	150	12.12-12.20	*	
2.2 D (GJ2FW, GJ692) (SHY4)		Diesel	FWD	2191	129	175	08.12-02.18	*	
2.2 D (GJ2FW, GJ692) (SHY6)		Diesel	FWD	2191	129	175	08.12-02.18	*	
2.2 D AWD (SHY4)		Diesel	4WD	2191	129	175	02.15-	*	
6 III / ATENZA (GJ) 01.13-05.16					[CAMBIADO]:Furgón/Break (Executive car-E Segment)				
2.0 (PEY7)		Gasolina	FWD	1998	107	145	04.15-05.16	*	
2.0 (PEY7)		Gasolina	FWD	1998	121	165	04.15-05.16	*	
2.5 (PYY1)		Gasolina	FWD	2488	141	192	04.15-05.16	*	
2.2 D (SHY4)		Diesel	FWD	2191	110	150	04.15-05.16	*	
2.2 D AWD (SHY4)		Diesel	4WD	2191	110	150	01.13-05.16	*	
2.2 D (SHY4)		Diesel	FWD	2191	129	175	04.15-05.16	*	
2.2 D AWD (SHY4)		Diesel	4WD	2191	129	175	04.15-05.16	*	
6 III / ATENZA (GJ, GL) 12.12-					Sedán (Executive car-E Segment)				
2.0		Gasolina	FWD	1997	114	155	07.14-	*	

LISTA DE APLICACIONES - BUYERS GUIDE

2.0 (GJ2, GL2, GL6) (PEXB)	Gasolina	FWD	1998	107	146	01.13-	*
2.0 (GJ2, GL2, GL6) (PEXL)	Gasolina	FWD	1998	107	146	01.13-	*
2.0 (GJ2, GL2, GL6) (PEY5)	Gasolina	FWD	1998	107	146	01.13-	*
2.0 (GJ2, GL2, GL6) (PEY7)	Gasolina	FWD	1998	107	146	01.13-	*
2.0 (PEXL)	Gasolina	FWD	1998	110	150	12.12-02.18	*
2.0 (PEY7)	Gasolina	FWD	1998	110	150	12.12-02.18	*
2.0 (GJEFP) (PE-VPR)	Gasolina	FWD	1998	114	155	12.12-	*
2.0 (GJEFP) (PEY5)	Gasolina	FWD	1998	114	155	12.12-	*
2.0 (GJEFP) (PEY7)	Gasolina	FWD	1998	114	155	12.12-	*
2.0 (GJEFP) (PEXB)	Gasolina	FWD	1998	121	165	01.13-	*
2.0 (GJEFP) (PEXL)	Gasolina	FWD	1998	121	165	01.13-	*
2.0 (GJEFP) (PEY5)	Gasolina	FWD	1998	121	165	01.13-	*
2.0 (GJEFP) (PEY7)	Gasolina	FWD	1998	121	165	01.13-	*
2.5 (GJ5FP, GJ1031) (PYY1)	Gasolina	FWD	2488	136	185	12.12-	*
2.5 (GJ5FP, GJ1031) (PYY3)	Gasolina	FWD	2488	136	185	12.12-	*
2.5	Gasolina	FWD	2488	137	186	09.13-	*
2.5 (GJ5FP, GJ1031) (PY-VPR)	Gasolina	FWD	2488	138	188	12.12-	*
2.5 (GJ5FP, GJ1031) (PYY1)	Gasolina	FWD	2488	138	188	12.12-	*
2.5 (GJ5FP, GL1032, GL1033) (PYY1)	Gasolina	FWD	2488	141	192	01.13-	*
2.5 (GJ5FP, GL1032, GL1033) (PY-Y8)	Gasolina	FWD	2488	141	192	01.13-	*
2.5 (GJ5FP, GL1032, GL1033) (PY-ZA)	Gasolina	FWD	2488	141	192	01.13-	*
2.2 D (GJ2FP, GJ1021, GJ1022, GL1021) (SH-VPTR)	Diesel	FWD	2188	129	175	07.14-	*
2.2 D 4WD (GJ2AP) (SH-VPTR)	Diesel	4WD	2188	129	175	07.14-	*
2.2 D (GJ2FP) (SHY1)	Diesel	FWD	2191	110	150	12.12-11.20	*
2.2 D (GJ2FP) (SHY4)	Diesel	FWD	2191	110	150	12.12-11.20	*
2.2 D (GJ2FP) (SHY6)	Diesel	FWD	2191	110	150	12.12-11.20	*
2.2 D (GJ2FP) (SHY8)	Diesel	FWD	2191	110	150	12.12-11.20	*
2.2 D (GJ2FP, GJ1021, GJ1022, GL1021) (SHY1)	Diesel	FWD	2191	129	175	12.12-	*

MAZDA (FAW)

6 ATENZA 05.14-				Sedán (Executive car-E Segment)			
2.0	Gasolina	FWD	1998	116	158	05.14-	*
2.5	Gasolina	FWD	2488	141	192	05.14-	*

MITSUBISHI

ASX (GA_W_) 06.10-				Furgoneta/SUV (Compact SUV-J Segment)			
1.8 DI-D 4WD (4N13)	Diesel	4WD	1798	110	150	06.10-	*
ASX (GA_W_) 11.09-				SUV (Compact SUV-J Segment)			
1.6 MIVEC (GA1W) (4A92)	Gasolina	FWD	1590	85	116	05.10-	*
1.6 MIVEC (GA1W) (4A92)	Gasolina	FWD	1590	86	117	06.10-	*
1.8 (GA3W) (4B10)	Gasolina	FWD	1798	102	139	02.10-	*
1.8 4WD (GA3W)	Gasolina	4WD	1798	102	139	02.10-	*
2.0	Gasolina	FWD	1998	108	147	09.10-12.12	*
2.0 4WD (4B11)	Gasolina	4WD	1998	108	147	06.10-	*
2.0 i 4WD (4B11)	Gasolina	4WD	1998	109	148	01.11-	*
2.0 MIVEC (GA2W) (4B11)	Gasolina	FWD	1998	110	150	06.10-	*
2.0 MIVEC (GA2W) (4J11)	Gasolina	FWD	1998	110	150	06.10-	*
2.0 MIVEC 4WD (4B11)	Gasolina	4WD	1998	110	150	06.10-	*
2.0 MIVEC 4WD (4J11)	Gasolina	4WD	1998	110	150	06.10-	*
2.0 i 4WD (GA2W)	Gasolina	4WD	1998	112	152	01.10-	*
2.0 i 4WD	Gasolina	4WD	1998	114	155	01.10-	*

LISTA DE APLICACIONES - BUYERS GUIDE

2.0 i		Gasolina	FWD	1998	118	160	06.10-	*	
2.0 i 4WD		Gasolina	4WD	1998	118	160	06.10-	*	
2.4 (GA5W) (4B12)		Gasolina	FWD	2360	125	170	09.14-	*	
2.4 4WD (4B12)		Gasolina	4WD	2360	125	170	09.14-	*	
1.6 LPG		Gasol./Gas (LPG)	FWD	1590	86	117	06.10-	*	
2.0 Flex (4B11)		Gasol./Etanol	FWD	1998	125	170	01.18-09.22	*	
2.0 Flex 4WD (4B11)		Gasol./Etanol	4WD	1998	125	170	07.17-09.22	*	
1.6 DI-D (9HD)		Diesel	FWD	1560	84	114	07.15-	*	
1.6 DI-D 4WD (9HD)		Diesel	4WD	1560	84	114	07.15-	*	
1.8 DI-D (GA6W) (4N13)		Diesel	FWD	1798	85	116	06.10-	*	
1.8 DI-D 4WD (GA6W) (4N13)		Diesel	4WD	1798	85	116	06.10-	*	
1.8 DI-D (GA6W) (4N13)		Diesel	FWD	1798	110	150	06.10-	*	
1.8 DI-D 4WD (GA6W) (4N13)		Diesel	4WD	1798	110	150	06.10-	*	
2.2 DI-D 4WD (GA8W) (4N14)		Diesel	4WD	2268	110	150	04.13-	*	
DELICA D5 (CV_W) 06.07-					Bus (Minibus-M2-Segment)				
2.0		Gasolina	FWD	1998	110	150	06.07-	*	
2.4		Gasolina	FWD	2360	125	170	06.07-	*	
2.4 (CV5W)		Gasolina	FWD	2360	125	170	06.07-	*	
2.2 DI-D		Diesel	RWD	2268	109	148	03.13-	*	
OUTLANDER III / PHEV III (GF_W, GG_W) 04.13-					[CAMBIADO]:Furgón (Compact SUV-J Segment)				
2.2 DI-D		Diesel	RWD	2268	110	150	04.13-	*	
OUTLANDER III / PHEV III (GF_W, GG_W) 11.10-					Furgoneta/SUV (Compact SUV-J Segment)				
Di-D 4WD (GF6W)		Diesel	4WD	2268	110	150	04.13-	*	
OUTLANDER III / PHEV III (GG_W, GF_W, ZJ, ZL, ZK) 11.10-					SUV (Compact SUV-J Segment)				
2.0 (4B11)		Gasolina	FWD	1998	105	143	10.12-12.22	*	
2.0		Gasolina	FWD	1998	106	144	10.12-	*	
2.0 (GF2W) (4B11)		Gasolina	FWD	1998	107	146	10.12-12.22	*	
2.0 4WD (GF7W, GF2W) (4B11)		Gasolina	4WD	1998	107	146	10.12-12.22	*	
2.0 (GF7W) (4J11)		Gasolina	FWD	1998	110	150	08.12-12.22	*	
2.0 4WD (GF7W) (4J11)		Gasolina	4WD	1998	110	150	08.12-12.22	*	
2.0 (GF7W) (4J11)		Gasolina	FWD	1998	112	152	04.13-12.22	*	
2.0 (GF7W)		Gasolina	FWD	1998	118	160	03.13-12.18	*	
2.4 Mivec (GF8W) (4J12)		Gasolina	FWD	2359	121	165	05.15-	*	
2.4 4WD (4B12)		Gasolina	4WD	2360	123	167	10.12-12.22	*	
2.4 4WD (GF8W) (4B12)		Gasolina	4WD	2360	124	169	10.12-12.22	*	
2.4 4WD (GF8W) (4J12)		Gasolina	4WD	2360	124	169	10.12-12.22	*	
2.4 4WD (4B12)		Gasolina	4WD	2360	126	171	09.12-04.14	*	
3.0 4WD (6B31)		Gasolina	4WD	2998	165	224	10.12-12.22	*	
3.0 GT		Gasolina	FWD	2998	167	227	08.12-	*	
3.0 GT 4WD (6B31)		Gasolina	4WD	2998	167	227	08.12-12.22	*	
3.0 4WD (6B31)		Gasolina	4WD	2998	169	230	03.14-12.22	*	
3.0 GT 4WD		Gasolina	4WD	2998	177	240	09.13-12.18	*	
2.0 BiFuel		Gasol./Gas (LPG)	FWD	1998	107	146	10.12-12.22	*	
2.0 Bifuel 4WD		Gasol./Gas (LPG)	4WD	1998	107	146	10.12-12.22	*	
2.0 Hybrid 4WD (GG2W) (4B11)		Gasol./eléc.	4WD	1998	89	121	12.12-	*	
2.0 Hybrid 4WD (GG2W) (S61)		Gasol./eléc.	4WD	1998	89	121	12.12-	*	

LISTA DE APLICACIONES - BUYERS GUIDE

2.0 Hybrid 4WD (GG2W) (Y61)	Gasol./el éc.	4WD	1998	89	121	12.12-	*	
2.0 Hybrid 4WD (GG2W) (4B11)	Gasol./el éc.	4WD	1998	139	189	12.12-	*	
2.0 Hybrid 4WD (GG2W) (S61)	Gasol./el éc.	4WD	1998	139	189	12.12-	*	
2.0 Hybrid 4WD (GG2W) (Y61)	Gasol./el éc.	4WD	1998	139	189	12.12-	*	
2.0 Hybrid 4WD (GG2W) (4B11)	Gasol./el éc.	4WD	1998	147	200	01.14-12.21	*	
2.0 Hybrid 4WD (GG2W) (S61)	Gasol./el éc.	4WD	1998	147	200	01.14-12.21	*	
2.0 Hybrid 4WD (GG2W) (Y61)	Gasol./el éc.	4WD	1998	147	200	01.14-12.21	*	
Plug-in Hybrid (GG2W)	Gasol./el éc.	4WD	1998	147	200	09.17-12.21	*	
2.2 DI-D (GF6W) (4N14)	Diesel	FWD	2268	110	150	08.12-12.22	*	
2.2 DI-D 4WD (GF6W) (4N14)	Diesel	4WD	2268	110	150	08.12-12.22	*	
2.2 DI-D 4WD (4N14)	Diesel	4WD	2268	121	165	06.15-12.18	*	
2.2 DiD 4WD (4N14)	Diesel	4WD	2268	132	179	05.15-12.22	*	
MITSUBISHI (GAC)								
OUTLANDER 08.16-					SUV (Compact SUV-J Segment)			
2.0 (GF7W) (4J11)	Gasolina	FWD	1998	122	166	08.16-	*	
2.4 (GF8W)	Gasolina	4WD	2360	141	192	09.16-	*	
PEUGEOT								
4008 05.12-					SUV (Mini SUV-J Segment)			
1.6	Gasolina	FWD	1590	86	117	05.12-	*	
2.0 (4B11)	Gasolina	FWD	1998	110	150	05.13-	*	
2.0 AWC (4B11)	Gasolina	4WD	1998	110	150	05.12-	*	
1.6 HDi (9HD (DV6C))	Diesel	FWD	1560	84	114	05.12-	*	
1.6 HDi AWC (9HD (DV6C))	Diesel	4WD	1560	84	114	05.12-	*	
1.6 HDi	Diesel	RWD	1560	85	116	05.12-	*	
1.8 HDi	Diesel	FWD	1798	110	150	05.12-	*	
1.8 HDi AWC (6HZ (4N13))	Diesel	4WD	1798	110	150	05.12-	*	