

LISTA DE APLICACIONES - BUYERS GUIDE

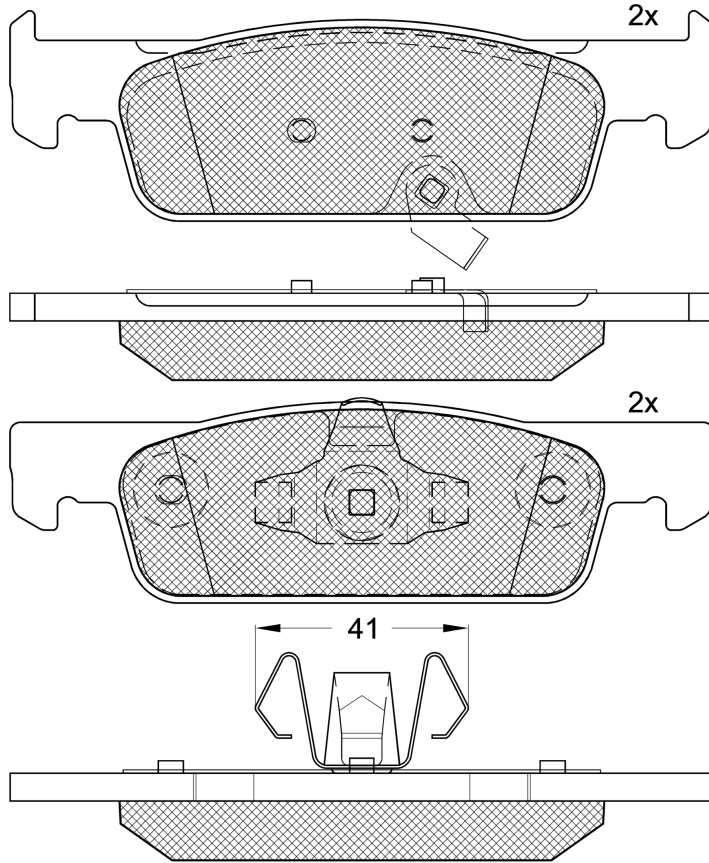
RB2115-208



Qty: 300

Weight: 1.180

O.E.M.	MAKE
41 06 030 25R	RENAULT
453 421 11 00	SMART



RB2115-208

E 9 90R-02A0111/4818



Ate - Teves

140.1x40.1x18

140.1x41.9x18

WVA	FMSI
22521	D1955-9140
22626	
25703	

Sin Filas



Trac.	CC	Kw	CV
-------	----	----	----



Front / Rear

RENAULT

MEGANE IV Grandtour (K9A/M/N_) 04.16-

[CAMBIADO]: Break (Compact car-C Segment)

Model	Engine	Trac.	CC	Kw	CV	Year	Notes
1.2 TCe 100 (H5F 408)	Gasolina	FWD	1197	74	101	04.16-	*
1.2 TCe 130 (K9MR) (H5F 408)	Gasolina	FWD	1197	97	130	04.16-	*
1.3 TCe 100 (K9N8) (H5H 470)	Gasolina	FWD	1332	75	102	08.18-	*
1.3 TCe 115 (K9N9) (H5H 450)	Gasolina	FWD	1332	85	116	01.18-	*
1.3 TCe 115 (K9N9) (H5H 470)	Gasolina	FWD	1332	85	116	01.18-	*
1.3 TCe 140 (K9NB) (H5H 450)	Gasolina	FWD	1332	103	140	01.18-	*
1.3 TCe 140 (K9NB) (H5H 470)	Gasolina	FWD	1332	103	140	01.18-	*
1.3 TCe 160 (K9NC) (H5H 470)	Gasolina	FWD	1332	117	159	07.18-	*
1.3 TCe 160 (K9NC) (H5H 450)	Gasolina	FWD	1332	120	163	01.18-	*
1.3 TCe 160 (K9NC) (H5H 470)	Gasolina	FWD	1332	120	163	01.18-	*
1.6 16V (H4M 738)	Gasolina	FWD	1598	84	115	04.16-	*
1.6 TCe 165 (M5M 450)	Gasolina	FWD	1618	121	165	07.17-	*
1.6 TCe 205 (M5M 450)	Gasolina	FWD	1618	151	205	04.16-	*
1.5 dCi 90 (K9K 656)	Diesel	FWD	1461	66	90	04.16-	*
1.5 Blue dCi 95 (K9A2) (K9K 872)	Diesel	FWD	1461	70	95	08.18-	*
1.5 dCi 110 (K9K 656)	Diesel	FWD	1461	81	110	04.16-	*
1.5 dCi 110 (K9K 657)	Diesel	FWD	1461	81	110	04.16-	*
1.5 Blue dCi 115 (K9A6) (K9K 872)	Diesel	FWD	1461	85	116	08.18-	*
1.5 Blue dCi 115 (K9A6) (K9K 873)	Diesel	FWD	1461	85	116	08.18-	*
1.6 dCi 130 (R9M 409)	Diesel	FWD	1598	96	130	04.16-	*
1.6 dCi 165 (R9M 452)	Diesel	FWD	1598	120	163	04.16-	*
1.8 Blue dCi 150 (K9A7) (R9N 401)	Diesel	FWD	1749	110	150	02.19-	*

SMART

LISTA DE APLICACIONES - BUYERS GUIDE

FORFOUR II (453) 07.14-					[CAMBIADO]:Fastback (City car-A Segment)			
0.9 (453.044, 453.053) (H4B 409)	Gasolina	RWD	898	66	90	11.14-	*	
0.9 (453.044, 453.053) (M 281.910)	Gasolina	RWD	898	66	90	11.14-	*	
0.9 Brabus (453.062) (M 281.910)	Gasolina	RWD	898	80	109	07.16-	*	
1.0 (453.041) (M 281.920)	Gasolina	RWD	999	45	60	11.14-	*	
1.0 (453.042, 453.043) (H4DA401)	Gasolina	RWD	999	52	71	07.14-	*	
1.0 (453.042, 453.043) (M 281.920)	Gasolina	RWD	999	52	71	07.14-	*	
FORTWO III (453) 09.15-					Cabrio (City car-A Segment)			
electric drive	Gasolina	FWD		55	75	11.16-	*	
0.9 (453.444, 453.453) (M 281.910)	Gasolina	RWD	898	66	90	09.15-	*	
0.9 Brabus (453.462) (M 281.910)	Gasolina	RWD	898	80	109	07.16-	*	
1.0 (453.442, 453.443) (M 281.920)	Gasolina	RWD	999	52	71	09.15-	*	
FORTWO III (453) 07.14-					Coupé (City car-A Segment)			
electric drive	Gasolina	FWD		55	75	11.16-	*	
0.9 (453.344, 453.353) (M 281.910)	Gasolina	RWD	898	66	90	09.14-	*	
0.9 Brabus (453.362) (M 281.910)	Gasolina	RWD	898	80	109	07.16-	*	
1.0 (453.341) (M 281.920)	Gasolina	RWD	999	45	60	11.14-	*	
1.0 (453.342, 453.343) (M 281.920)	Gasolina	RWD	999	52	71	07.14-	*	