

LISTA DE APLICACIONES - BUYERS GUIDE

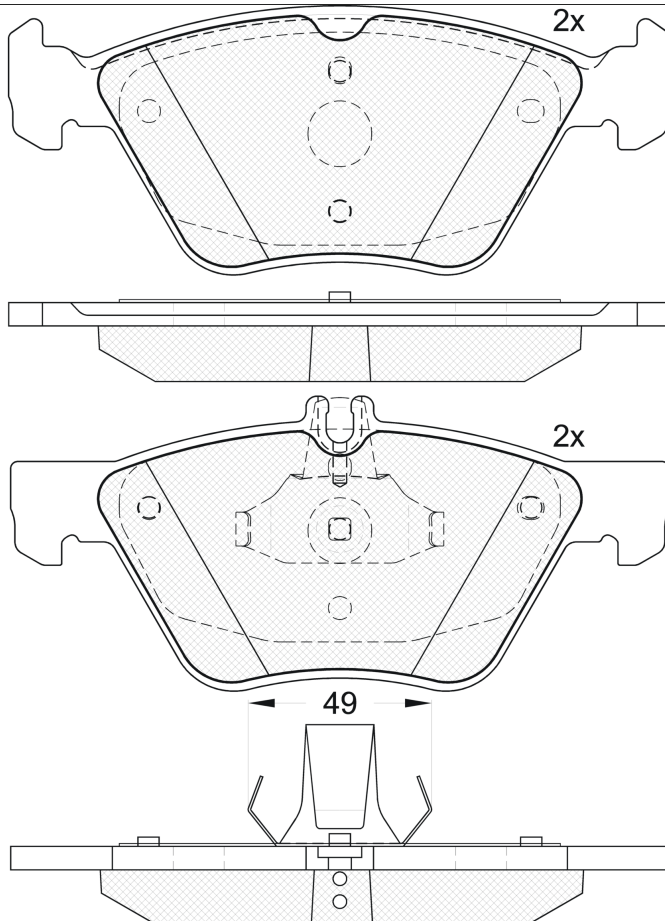
RB2114



Qty: 300

Weight: 1.885

O.E.M.	MAKE
003 420 83 20	MERCEDES-BENZ
004 420 07 20	MERCEDES-BENZ
004420072041	MERCEDES-BENZ



RB2114



90R-02A0111/3503

Ate - Teves



155.3x69.6x19.3
156.4x63.6x19.3

WVA	FMSI
21670	D853-8205
21794	D853-8215
24723	
24722	

Sin Filas



Trac.	CC	Kw	CV
-------	----	----	----



Front / Rear

MERCEDES-BENZ

E-Class III (W211) 03.02-03.09							Sedán (Executive car-E Segment)			
E 240 4-matic (211.080) (M 112.917)		Gasolina	4WD	2597	130	177	03.03-12.08	*		
E 280 4-matic (211.092) (M 272.943)		Gasolina	4WD	2996	170	231	01.06-12.08	*		
E 280 4-matic (211.092) (M 272.944)		Gasolina	4WD	2996	170	231	01.06-12.08	*		
E 320 4-matic (211.082) (M 112.954)		Gasolina	4WD	3199	165	224	03.03-12.08	*		
E 350 4-matic (211.087) (M 272.972)		Gasolina	4WD	3498	200	272	03.05-12.08	*		
E 280 CDI 4-matic (211.084) (OM 642.921)		Diesel	4WD	2987	140	190	03.05-12.08	*		
E 320 CDI 4-matic (211.089) (OM 642.910)		Diesel	4WD	2987	165	224	03.05-12.08	*		
E 320 CDI 4-matic (211.089) (OM 642.921)		Diesel	4WD	2987	165	224	03.05-12.08	*		
E-Class III T-Model (S211) 02.03-07.09							[CAMBIADO]:Break (Executive car-E Segment)			
E 240 T 4-matic (211.280) (M 112.917)		Gasolina	4WD	2597	130	177	07.03-07.09	*		
E 280 T 4-matic (211.292) (M 272.943)		Gasolina	4WD	2996	170	231	03.05-07.09	*		
E 280 T 4-matic (211.292) (M 272.944)		Gasolina	4WD	2996	170	231	03.05-07.09	*		
E 320 T 4-matic (211.282) (M 112.954)		Gasolina	4WD	3199	165	224	07.03-07.09	*		
E 350 T 4-matic (211.287) (M 272.972)		Gasolina	4WD	3498	200	272	03.05-07.09	*		
E 280 T CDI 4-matic (211.284) (OM 642.921)		Diesel	4WD	2987	140	190	03.05-07.09	*		
E 320 T CDI 4-matic (211.289) (OM 642.921)		Diesel	4WD	2987	165	224	03.05-07.09	*		
S-Class IV (W220, V220) 09.98-12.06							Sedán (Luxury car-F Segment)			
S 350 4-matic (220.087, 220.187) (M 112.975)		Gasolina	4WD	3724	180	245	06.03-08.05	*		