

LISTA DE APLICACIONES - BUYERS GUIDE

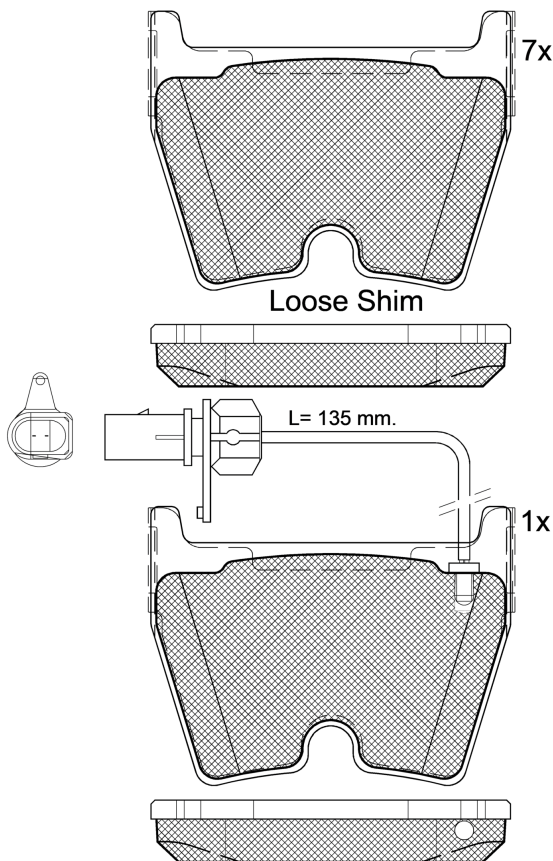
RB2113-208



Qty: 300

Weight: 2.780

O.E.M.	MAKE
4S0 698 151	AUDI
4S0 698 151 B	AUDI
4S0 698 151 C	AUDI
4S0 698 151 J	AUDI
4S0 698 151 L	AUDI



RB2113-208

E 9 90R-02A0111/3737



Brembo

95.5x74x17

WVA	FMSI
23751	D1266-7934

Sin Filas



Trac.	CC	Kw	CV
-------	----	----	----



Front / Rear

AUDI

R8 II (4S3, 4SP) 07.15-

Coupé (Sports car-S Segment)

Model	Trac.	CC	Kw	CV	Year	Notes
5.2 FSI quattro (CSPB)	Gasolina 4WD	5204	397	540	07.15-	*
5.2 FSI RWS (DKAB)	Gasolina RWD	5204	397	540	09.17-	*
5.2 FSI	Gasolina RWD	5204	419	570	06.21-	*
5.2 FSI quattro (DKAC)	Gasolina 4WD	5204	419	570	09.18-	*
5.2 FSI Plus quattro (CSPA)	Gasolina 4WD	5204	449	610	07.15-	*
5.2 FSI Plus quattro (DKAA)	Gasolina 4WD	5204	449	610	07.15-	*
5.2 FSI quattro (DMWA)	Gasolina 4WD	5204	456	620	09.18-	*
5.2 GT	Gasolina RWD	5204	456	620	11.22-04.24	*

R8 II Spyder (4S9, 4SR) 05.16-

Cabrío (Sports car-S Segment)

Model	Trac.	CC	Kw	CV	Year	Notes
5.2 FSI quattro (CSPB)	Gasolina 4WD	5204	397	540	05.16-11.21	*
5.2 FSI quattro (DKAB)	Gasolina 4WD	5204	397	540	05.16-11.21	*
5.2 FSI RWS (DKAB)	Gasolina RWD	5204	397	540	09.17-	*
5.2 FSI	Gasolina RWD	5204	419	570	06.21-	*
5.2 FSI quattro (DKAC)	Gasolina 4WD	5204	419	570	09.18-	*
5.2 FSI quattro (CSPA)	Gasolina 4WD	5204	449	610	05.17-	*
5.2 FSI quattro (DKAA)	Gasolina 4WD	5204	449	610	05.17-	*
5.2 FSI quattro (DMWA)	Gasolina 4WD	5204	456	620	09.18-	*