

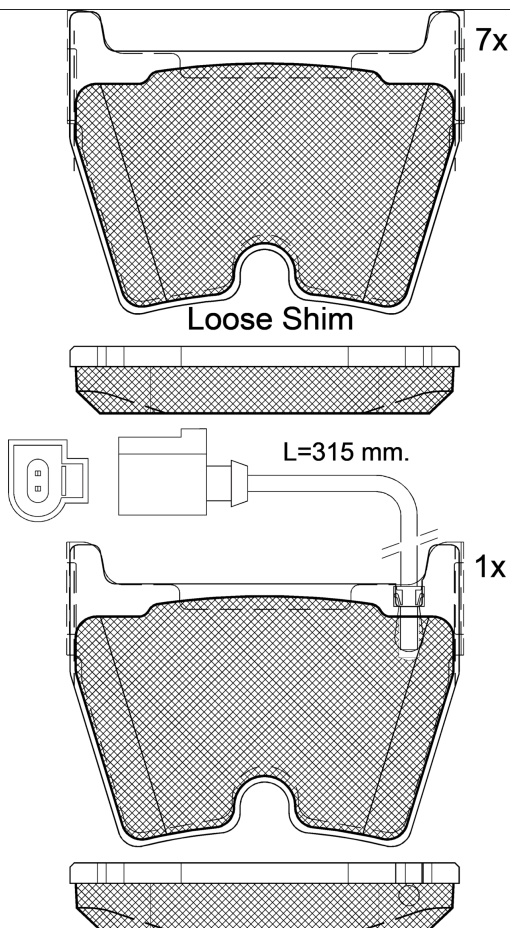
# LISTA DE APLICACIONES - BUYERS GUIDE

## RB2113-203



Qty: 300      Weight: 2.800

O.E.M.	MAKE
68353597AB	JEEP
8S0 698 151 F	AUDI
8U0 698 151 E	AUDI
8U0 698 151 F	AUDI
8U0 698 151 G	AUDI
8U0 698 151 H	AUDI
8U0 698 151 J	AUDI
8U0698151F	SKODA
8U0698151G	SKODA
8U0698151H	VW
8U0698151J	SKODA
8V0 698 151 E	AUDI
8V0 698 151 F	AUDI
8V0 698 151 H	AUDI
8V0 698 151 K	AUDI
8V0 698 151 L	AUDI
8V0 698 151 M	AUDI
8V0 698 151 N	AUDI
8V0 698 151 P	AUDI
8V0698151F	VW
8V0698151K	SKODA



## RB2113-203

90R-02A0111/4817



Brembo

95.5x74x17

<b>WVA</b>	<b>FMSI</b>
22491	D2099-9333
23751	

Sin Filas



Trac.	CC	Kw	CV		
				Front / Rear	

### AUDI

Model / Variant						Segment			
<b>A3 III (8VS, 8VM) 05.13-</b>						<b>Sedán (Compact executive car-D Segment)</b>			
RS3 quattro (DAZA)		Gasolina	4WD	2480	294	400	04.17-10.20	*	
RS3 quattro (DNWA)		Gasolina	4WD	2480	294	400	04.17-10.20	*	
<b>A3 III Sportback (8VA, 8VF) 09.12-</b>						<b>[CAMBIADO]:Fastback (Compact executive car-D Segment)</b>			
RS3 quattro (CZGB)		Gasolina	4WD	2480	270	367	03.15-08.16	*	
RS3 quattro (DAZA)		Gasolina	4WD	2480	294	400	04.17-10.20	*	
RS3 quattro (DNWA)		Gasolina	4WD	2480	294	400	04.17-10.20	*	
<b>A3 IV (8YS, 8YM) 03.20-</b>						<b>Sedán (Compact executive car-D Segment)</b>			
RS3 TFSI quattro		Gasolina	4WD	2480	294	400	07.21-	*	
RS3 TFSI quattro		Gasolina	4WD	2480	299	407	01.22-	*	
<b>A3 IV Sportback (8YA, 8YF) 11.19-</b>						<b>[CAMBIADO]:Fastback (Compact executive car-D Segment)</b>			
RS3 TFSI quattro		Gasolina	4WD	2480	294	400	07.21-	*	
RS3 TFSI quattro		Gasolina	4WD	2480	299	407	11.22-	*	
<b>Q3 (8UB, 8UG) 06.11-</b>						<b>SUV (Compact Crossover CUV-C Segment)</b>			
RS 2.5 quattro (CTSA)		Gasolina	4WD	2480	228	310	10.13-10.18	*	
RS 2.5 quattro (CZGA)		Gasolina	4WD	2480	250	340	05.13-10.18	*	
RS performance 2.5 quattro (CZGB)		Gasolina	4WD	2480	270	367	01.15-10.18	*	
<b>TT III (FV9, FVR) 11.14-</b>						<b>Cabrió (Sports car-S Segment)</b>			
1.8 TFSI (CJSA)		Gasolina	FWD	1798	132	180	07.15-08.18	*	
1.8 TFSI (CJSB)		Gasolina	FWD	1798	132	180	07.15-08.18	*	
2.0 TFSI quattro (CNTC)		Gasolina	4WD	1984	162	220	04.15-	*	

## LISTA DE APLICACIONES - BUYERS GUIDE

2.0 TFSI (CHHC)	Gasolina	FWD	1984	169	230	11.14-	*
2.0 TFSI quattro (CHHC)	Gasolina	4WD	1984	169	230	11.14-	*
2.0 TTS TFSI quattro (CJXF)	Gasolina	4WD	1984	210	286	02.15-	*
2.0 TTS TFSI quattro (CJXG)	Gasolina	4WD	1984	228	310	11.14-	*
TTS TFSI quattro	Gasolina	4WD	1984	235	320	11.20-	*
2.5 RS TFSI quattro (DAZA)	Gasolina	4WD	2480	294	400	05.16-	*
2.5 RS TFSI quattro (DNWA)	Gasolina	4WD	2480	294	400	05.16-	*
2.0 TDI (CUNA)	Diesel	FWD	1968	135	184	11.14-	*
2.0 TDI quattro (CUNA)	Diesel	4WD	1968	135	184	01.17-	*
<b>TT III (FV3, FVP) 07.14-</b>						<b>Coupé (Sports car-S Segment)</b>	
1.8 TFSI (CJSA)	Gasolina	FWD	1798	132	180	07.15-08.18	*
1.8 TFSI (CJSB)	Gasolina	FWD	1798	132	180	07.15-08.18	*
2.0 TFSI quattro (CNTC)	Gasolina	4WD	1984	162	220	04.15-	*
2.0 TFSI (CHHC)	Gasolina	FWD	1984	169	230	07.14-	*
2.0 TFSI quattro (CHHC)	Gasolina	4WD	1984	169	230	07.14-	*
2.0 TTS TFSI quattro (CJXF)	Gasolina	4WD	1984	210	286	02.15-	*
2.0 TTS TFSI quattro (CYFB)	Gasolina	4WD	1984	215	292	07.15-	*
2.0 TTS quattro (CJXG)	Gasolina	4WD	1984	228	310	11.14-	*
2.5 RS TFSI quattro (DAZA)	Gasolina	4WD	2480	294	400	05.16-	*
2.5 RS TFSI quattro (DNWA)	Gasolina	4WD	2480	294	400	05.16-	*
2.0 TDI (CUNA)	Diesel	FWD	1968	135	184	07.14-	*
2.0 TDI quattro (CUNA)	Diesel	4WD	1968	135	184	01.17-	*