

LISTA DE APLICACIONES - BUYERS GUIDE

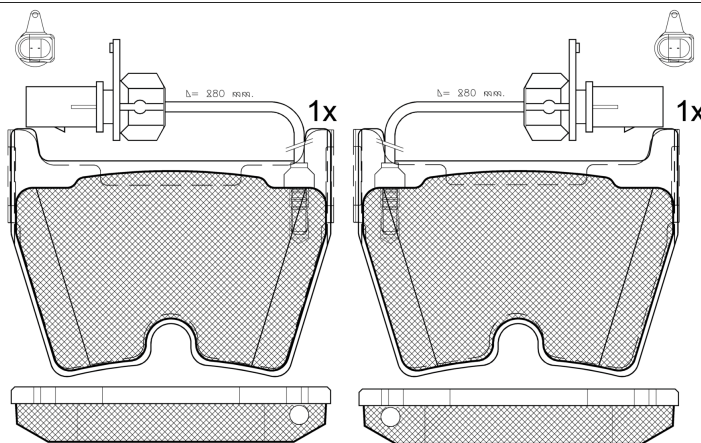
RB2113



Qty: 300

Weight: 2.840

O.E.M.	MAKE
3D0 698 151	VW
3D0 698 151 A	VW
4B3 698 151 A	VW
4B3 698 151 KJ	VW
8E0 698 151 H	VW



RB2113

E 9 90R-02A0111/0810



Brembo

95.5x74x17

WVA	FMSI
23438	D1029-7934
23890	D1029-8372
23439	
23690	
23691	

Sin Filas



	Trac.	CC	Kw	CV			Front / Rear
--	-------	----	----	----	--	--	--------------

AUDI

A4 IV B8 Avant (8K5) 11.07-06.17						[CAMBIADO]:Break (Compact executive car-D Segment)		
RS4 quattro (CFSA)	Gasolina	4WD	4163	331	450	05.12-08.15	*	
A4 III B7 Avant (8ED) 11.04-11.08						[CAMBIADO]:Break (Compact executive car-D Segment)		
RS4 quattro (BNS)	Gasolina	4WD	4163	309	420	09.05-06.08	*	
A4 III B7 (8HE) 01.02-01.10						Cabrio (Compact executive car-D Segment)		
RS4 quattro (BNS)	Gasolina	4WD	4163	309	420	02.06-12.08	*	
A4 III B7 (8EC) 11.04-01.09						Sedán (Compact executive car-D Segment)		
RS4 quattro (BNS)	Gasolina	4WD	4163	309	420	09.05-06.08	*	
A5 (8F7) 02.09-10.17						Cabrio (Compact executive car-D Segment)		
3.0 TFSI quattro (CMUA)	Gasolina	4WD	2995	200	272	11.11-01.17	*	
3.0 TFSI quattro (CRED)	Gasolina	4WD	2995	200	272	11.11-01.17	*	
RS5 quattro (CFSA)	Gasolina	4WD	4163	331	450	11.12-08.15	*	
A5 (8T3) 06.07-10.17						Coupé (Compact executive car-D Segment)		
3.0 TFSI quattro (CHMB)	Gasolina	4WD	2995	200	272	12.11-01.17	*	
3.0 TFSI quattro (CMUA)	Gasolina	4WD	2995	200	272	12.11-01.17	*	
3.0 TFSI quattro (CRED)	Gasolina	4WD	2995	200	272	12.11-01.17	*	
RS5 quattro (CFSA)	Gasolina	4WD	4163	331	450	03.10-01.17	*	
A6 II C5 Avant (4B5, 4B6) 11.97-01.06						[CAMBIADO]:Break (Executive car-E Segment)		
RS6 quattro (BCY)	Gasolina	4WD	4172	331	450	07.02-01.05	*	
RS6 plus quattro (BRV)	Gasolina	4WD	4172	353	480	04.04-01.05	*	

LISTA DE APLICACIONES - BUYERS GUIDE

A6 II C5 (4B2, 4B4) 01.97-12.05					Sedán (Executive car-E Segment)			
RS6 quattro (BCY)	Gasolina	4WD	4172	331	450	07.02-01.05	*	
A6 III Avant (U.S.A. C6) 09.03-12.11					[CAMBIADO]:Break (Executive car-E Segment)			
4.2 RS6 Quattro	Gasolina	FWD	4195	331	450	09.03-	*	
A8 (U.S.A. D2) 09.96-12.02					Sedán (Luxury car-F Segment)			
4.2 40V Quattro SP 17" Long	Gasolina	FWD	4195			09.96-	*	
6.0 48V Quattro	Gasolina	FWD	5995	331	450	09.96-	*	
R8 (422, 423) 04.07-12.16					Coupé (Sports car-S Segment)			
4.2 FSI quattro (BYH)	Gasolina	4WD	4163	309	420	04.07-09.10	*	
4.2 FSI quattro (CNDA)	Gasolina	4WD	4163	316	430	07.10-07.15	*	
5.2 FSI quattro (BUJ)	Gasolina	4WD	5204	386	525	04.09-07.15	*	
5.2 FSI quattro (CTYA)	Gasolina	4WD	5204	386	525	04.09-07.15	*	
5.2 FSI quattro (CTPA)	Gasolina	4WD	5204	404	550	05.12-07.15	*	
5.2 FSI quattro (CMPA)	Gasolina	4WD	5204	412	560	11.10-07.15	*	
5.2 FSI quattro (CTPB)	Gasolina	4WD	5204	419	570	07.14-07.15	*	
R8 II (4S3, 4SP) 07.15-					Coupé (Sports car-S Segment)			
5.2 FSI quattro (CSPB)	Gasolina	4WD	5204	397	540	07.15-	*	
5.2 FSI	Gasolina	RWD	5204	419	570	06.21-	*	
5.2 FSI Plus quattro (CSPA)	Gasolina	4WD	5204	449	610	07.15-	*	
5.2 FSI Plus quattro (DKAA)	Gasolina	4WD	5204	449	610	07.15-	*	
5.2 GT	Gasolina	RWD	5204	456	620	11.22-04.24	*	
R8 II Spyder (4S9, 4SR) 05.16-					Cabrío (Sports car-S Segment)			
5.2 FSI quattro (CSPB)	Gasolina	4WD	5204	397	540	05.16-11.21	*	
5.2 FSI quattro (DKAB)	Gasolina	4WD	5204	397	540	05.16-11.21	*	
5.2 FSI	Gasolina	RWD	5204	419	570	06.21-	*	
R8 Spyder (427, 429) 02.10-08.16					Cabrío (Sports car-S Segment)			
4.2 FSI quattro (CNDA)	Gasolina	4WD	4163	316	430	09.10-07.15	*	
5.2 FSI quattro (BUJ)	Gasolina	4WD	5204	386	525	02.10-07.15	*	
5.2 FSI quattro (CTYA)	Gasolina	4WD	5204	386	525	02.10-07.15	*	
5.2 FSI	Gasolina	FWD	5204	404	549	05.12-	*	
5.2 FSI quattro (CMPA)	Gasolina	4WD	5204	412	560	11.11-07.15	*	
LAMBORGHINI								
DIABLO 09.95-12.00					Cabrío (Sports car-S Segment)			
5.7	Gasolina	RWD	5707	390	530	01.98-12.00	*	
DIABLO 01.90-					Coupé (Sports car-S Segment)			
SV	Gasolina	RWD	5707	390	530	01.98-	*	
VT	Gasolina	4WD	5707	390	530	08.98-	*	
GT 2	Gasolina	RWD	5707	470	640	01.98-	*	
GT 5.9	Gasolina	RWD	5992	423	575	10.99-	*	
GALLARDO 08.03-					Coupé (Sports car-S Segment)			
5.0 (L 510)	Gasolina	4WD	4961	368	500	08.03-	*	
5.0	Gasolina	4WD	4961	382	520	07.05-	*	
GALLARDO SPYDER 08.05-					Cabrío (Sports car-S Segment)			
5.0	Gasolina	4WD	4961	382	520	08.05-	*	
MURCIÉLAGO 08.04-					Cabrío (Sports car-S Segment)			
6.2	Gasolina	4WD	6192	426	579	08.04-	*	

LISTA DE APLICACIONES - BUYERS GUIDE

MURCIÉLAGO 11.01-					Coupé (Sports car-S Segment)			
6.2		Gasolina	4WD	6192	426	579	11.01-12.06	*
LP 640		Gasolina	4WD	6496	471	641	04.06-	*
VW								
PHAETON (3D1, 3D2, 3D3, 3D4, 3D6, 3D7, 3D8, 3D9) 04.02-03.16					Sedán (Luxury car-F Segment)			
3.2 V6 (AYT)		Gasolina	FWD	3189	177	241	04.02-05.05	*
3.2 V6 (BKL)		Gasolina	FWD	3189	177	241	04.02-05.05	*
3.2 V6 4motion (BKL)		Gasolina	4WD	3189	177	241	02.04-11.08	*
3.2 V6 4motion (BRK)		Gasolina	4WD	3189	177	241	02.04-11.08	*
3.6 V6 4motion (CHNA)		Gasolina	4WD	3597	206	280	11.08-03.16	*
3.6 V6 4motion (CMVA)		Gasolina	4WD	3597	206	280	11.08-03.16	*
4.2 V8 4motion (BGH)		Gasolina	4WD	4172	246	335	05.03-03.16	*
4.2 V8 4motion (BGJ)		Gasolina	4WD	4172	246	335	05.03-03.16	*
6.0 W12 4motion (BAN)		Gasolina	4WD	5998	309	420	04.02-12.05	*
6.0 W12 4motion (BAP)		Gasolina	4WD	5998	309	420	04.02-12.05	*
6.0 W12 4motion (BRN)		Gasolina	4WD	5998	331	450	05.05-03.16	*
6.0 W12 4motion (BTT)		Gasolina	4WD	5998	331	450	05.05-03.16	*
3.0 V6 TDI 4motion (BMK)		Diesel	4WD	2967	165	224	09.04-05.07	*
3.0 V6 TDI 4motion (CARA)		Diesel	4WD	2967	171	233	06.07-11.08	*
3.0 V6 TDI 4motion (CARB)		Diesel	4WD	2967	176	240	11.08-03.16	*
3.0 V6 TDI 4motion (CEXA)		Diesel	4WD	2967	176	240	11.08-03.16	*
5.0 V10 TDI 4motion (AJS)		Diesel	4WD	4921	230	313	11.02-10.06	*