

LISTA DE APLICACIONES - BUYERS GUIDE

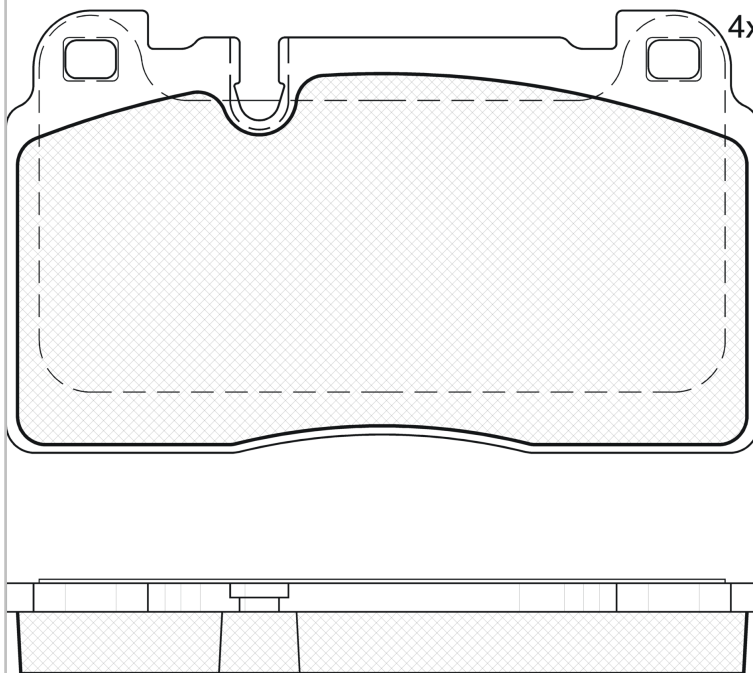
RB2112



Qty: 300

Weight: 2.340

O.E.M.	MAKE
8R0 698 151 AA	AUDI
8R0 698 151 AB	AUDI
8R0 698 151 B	AUDI
8R0 698 151 C	AUDI
8R0 698 151 D	AUDI
8R0 698 151 E	AUDI
8R0 698 151 G	AUDI
8R0 698 151 H	AUDI
8R0 698 151 J	AUDI
8R0 698 151 K	AUDI
8R0 698 151 L	AUDI
8R0 698 151 M	AUDI
8R0 698 151 N	AUDI
8R0 698 151 T	AUDI
8R0698151AH	AUDI
95B 698 151 AM	PORSCHE
95B 698 151 F	PORSCHE
95B 698 151 H	PORSCHE
9A7 698 151	PORSCHE
9A7 698 151 00	PORSCHE
PAC 698 151	PORSCHE



RB2112

E 9 90R-02A0111/3590



Brembo

4x

131.7x77.4x16.5

WVA	FMSI
25643	D1663-8891

Sin Filas



Trac.	CC	Kw	CV
-------	----	----	----



Front / Rear

AUDI

A6 IV C7 (4G2, 4GC) 11.10-

Sedán (Executive car-E Segment)

Motor	Trac.	CC	Kw	CV	Período	Nota
1.8 TFSI (CYGA)	Gasolina	FWD	1798	140	190 09.14-09.18	*
2.0 TFSI (CDNB)	Gasolina	FWD	1984	132	180 05.11-09.18	*
2.0 TFSI (CAED)	Gasolina	FWD	1984	162	220 05.13-09.18	*
2.0 TFSI quattro (CAED)	Gasolina	4WD	1984	162	220 05.13-09.18	*
2.0 TFSI quattro (CYPB)	Gasolina	4WD	1984	183	249 05.15-09.18	*
2.0 TFSI (CYNB)	Gasolina	FWD	1984	185	252 09.14-09.18	*
2.0 TFSI (CYPA)	Gasolina	FWD	1984	185	252 09.14-09.18	*
2.0 TFSI quattro (CYNB)	Gasolina	4WD	1984	185	252 05.14-09.18	*
2.0 TFSI quattro (CYPA)	Gasolina	4WD	1984	185	252 05.14-09.18	*
2.8 FSI (CHVA)	Gasolina	FWD	2773	150	204 11.10-04.15	*
2.8 FSI quattro (CHVA)	Gasolina	4WD	2773	150	204 11.10-04.15	*
2.8 FSI quattro (CVPA)	Gasolina	4WD	2773	162	220 09.14-09.18	*
3.0 TFSI quattro (CGWD)	Gasolina	4WD	2995	228	310 03.11-09.18	*
3.0 TFSI quattro (CGXB)	Gasolina	4WD	2995	228	310 03.11-09.18	*
3.0 TFSI quattro (CTUA)	Gasolina	4WD	2995	228	310 03.11-09.18	*
3.0 TFSI quattro (CREC)	Gasolina	4WD	2995	245	333 09.14-09.18	*
3.0 TFSI quattro	Gasolina	4WD	2995	250	340 09.16-09.18	*
S6 quattro (CEUC)	Gasolina	4WD	3993	309	420 02.12-09.18	*
S6 quattro (CTGE)	Gasolina	4WD	3993	331	450 10.14-09.18	*
2.0 TFSI Hybrid (CHJA)	Gasol./el éc.	FWD	1984	180	245 11.11-04.15	*
2.0 TDI (CGLE)	Diesel	FWD	1968	100	136 01.12-09.18	*
2.0 TDI (CSUE)	Diesel	FWD	1968	100	136 01.12-09.18	*
2.0 TDI (CSUD)	Diesel	FWD	1968	110	150 09.14-09.18	*

LISTA DE APLICACIONES - BUYERS GUIDE

2.0 TDI (DDCB)		Diesel	FWD	1968	110	150	09.14-09.18	*
2.0 TDI (CGLD)		Diesel	FWD	1968	120	163	03.11-09.18	*
2.0 TDI (CGLC)		Diesel	FWD	1968	130	177	03.11-09.18	*
2.0 TDI (CMGB)		Diesel	FWD	1968	130	177	03.11-09.18	*
2.0 TDI (CNHA)		Diesel	FWD	1968	140	190	11.13-09.18	*
2.0 TDI (CZJA)		Diesel	FWD	1968	140	190	11.13-09.18	*
2.0 TDI (DDDA)		Diesel	FWD	1968	140	190	11.13-09.18	*
2.0 TDI quattro (CNHA)		Diesel	4WD	1968	140	190	04.15-09.18	*
2.0 TDI quattro (DDDA)		Diesel	4WD	1968	140	190	04.15-09.18	*
2.1 TDI		Diesel	FWD	1968	140	190	01.15-09.18	*
3.0 TDI (CLAB)		Diesel	FWD	2967	150	204	11.10-09.18	*
3.0 TDI quattro (CLAA)		Diesel	4WD	2967	150	204	03.11-09.18	*
3.0 TDI (CTCB)		Diesel	FWD	2967	155	211	09.14-09.18	*
3.0 TDI (CZVD)		Diesel	FWD	2967	155	211	09.14-09.18	*
3.0 TDI quattro (CRTF)		Diesel	4WD	2967	155	211	09.14-09.18	*
3.0 TDI quattro (CZVC)		Diesel	4WD	2967	155	211	09.14-09.18	*
3.0 TDI (CTCC)		Diesel	FWD	2967	160	218	09.14-09.18	*
3.0 TDI (CZVB)		Diesel	FWD	2967	160	218	09.14-09.18	*
3.0 TDI quattro (CRTE)		Diesel	4WD	2967	160	218	09.14-09.18	*
3.0 TDI quattro (CZVA)		Diesel	4WD	2967	160	218	09.14-09.18	*
3.0 TDI quattro		Diesel	4WD	2967	176	239	05.13-	*
3.0 TDI quattro (CDUC)		Diesel	4WD	2967	180	245	03.11-09.18	*
3.0 TDI quattro (CDUD)		Diesel	4WD	2967	180	245	03.11-09.18	*
3.0 TDI quattro (CKVB)		Diesel	4WD	2967	180	245	03.11-09.18	*
3.0 TDI quattro (CKVC)		Diesel	4WD	2967	180	245	03.11-09.18	*
3.0 TDI quattro (CRTD)		Diesel	4WD	2967	200	272	09.14-09.18	*
3.0 TDI quattro (CGQB)		Diesel	4WD	2967	230	313	11.11-09.18	*
3.0 TDI quattro (CVUA)		Diesel	4WD	2967	235	320	09.14-09.18	*
3.0 TDI quattro (CVUB)		Diesel	4WD	2967	240	326	09.14-09.18	*
A6 IV C7 Avant (4G5, 4GD) 05.11-							[CAMBIADO]:Break (Executive car-E Segment)	
1.8 TFSI (CYGA)		Gasolina	FWD	1798	140	190	09.14-09.18	*
2.0 TFSI (CDNB)		Gasolina	FWD	1984	132	180	06.11-09.18	*
2.0 TFSI quattro (CYPB)		Gasolina	4WD	1984	183	249	05.15-09.18	*
2.0 TFSI (CYNB)		Gasolina	FWD	1984	185	252	09.14-09.18	*
2.0 TFSI (CYPA)		Gasolina	FWD	1984	185	252	09.14-09.18	*
2.0 TFSI quattro (CYPA)		Gasolina	4WD	1984	185	252	05.15-09.18	*
2.8 FSI (CHVA)		Gasolina	FWD	2773	150	204	05.11-04.15	*
2.8 FSI quattro (CHVA)		Gasolina	4WD	2773	150	204	05.11-04.15	*
2.8 FSI quattro (CVPA)		Gasolina	4WD	2773	162	220	09.14-09.18	*
3.0 TFSI quattro (CGWD)		Gasolina	4WD	2995	228	310	11.11-09.18	*
3.0 TFSI quattro (CREC)		Gasolina	4WD	2995	245	333	09.14-09.18	*
S6 quattro (CEUC)		Gasolina	4WD	3993	309	420	02.12-09.18	*
S6 quattro (CTGE)		Gasolina	4WD	3993	331	450	10.14-09.18	*
RS6 quattro (CRDB)		Gasolina	4WD	3993	412	560	01.13-09.18	*
RS6 quattro (CWUB)		Gasolina	4WD	3993	412	560	01.13-09.18	*
RS6 performance quattro (CWUC)		Gasolina	4WD	3993	445	605	11.15-09.18	*
2.0 TDI (CGLE)		Diesel	FWD	1968	100	136	01.12-09.18	*
2.0 TDI (CSUE)		Diesel	FWD	1968	100	136	01.12-09.18	*
2.0 TDI (DDCA)		Diesel	FWD	1968	100	136	01.12-09.18	*
2.0 TDI (CSUD)		Diesel	FWD	1968	110	150	09.14-09.18	*
2.0 TDI (DDCB)		Diesel	FWD	1968	110	150	09.14-09.18	*

LISTA DE APLICACIONES - BUYERS GUIDE

2.0 TDI (CGLD)		Diesel	FWD	1968	120	163	05.11-09.18	*
2.0 TDI (CGLC)		Diesel	FWD	1968	130	177	05.11-09.18	*
2.0 TDI (CMGB)		Diesel	FWD	1968	130	177	05.11-09.18	*
2.0 TDI (CNHA)		Diesel	FWD	1968	140	190	11.13-09.18	*
2.0 TDI (CZJA)		Diesel	FWD	1968	140	190	11.13-09.18	*
2.0 TDI (DDDA)		Diesel	FWD	1968	140	190	11.13-09.18	*
2.0 TDI quattro (CNHA)		Diesel	4WD	1968	140	190	04.15-09.18	*
2.0 TDI quattro (DDDA)		Diesel	4WD	1968	140	190	04.15-09.18	*
3.0 TDI (CLAB)		Diesel	FWD	2967	150	204	05.11-09.18	*
3.0 TDI quattro (CLAA)		Diesel	4WD	2967	150	204	05.11-09.18	*
3.0 TDI (CTCB)		Diesel	FWD	2967	155	211	09.14-09.18	*
3.0 TDI (CZVD)		Diesel	FWD	2967	155	211	09.14-09.18	*
3.0 TDI quattro (CRTF)		Diesel	4WD	2967	155	211	09.14-09.18	*
3.0 TDI quattro (CZVC)		Diesel	4WD	2967	155	211	09.14-09.18	*
3.0 TDI (CTCC)		Diesel	FWD	2967	160	218	09.14-09.18	*
3.0 TDI (CZVB)		Diesel	FWD	2967	160	218	09.14-09.18	*
3.0 TDI quattro (CRTE)		Diesel	4WD	2967	160	218	09.14-09.18	*
3.0 TDI quattro (CZVA)		Diesel	4WD	2967	160	218	09.14-09.18	*
3.0 TDI quattro (CDUC)		Diesel	4WD	2967	180	245	05.11-09.18	*
3.0 TDI quattro (CDUD)		Diesel	4WD	2967	180	245	05.11-09.18	*
3.0 TDI quattro (CKVB)		Diesel	4WD	2967	180	245	05.11-09.18	*
3.0 TDI quattro (CKVC)		Diesel	4WD	2967	180	245	05.11-09.18	*
3.0 TDI quattro (CRTD)		Diesel	4WD	2967	200	272	09.14-09.18	*
3.0 TDI quattro (CGQB)		Diesel	4WD	2967	230	313	11.11-09.18	*
3.0 TDI quattro (CVUA)		Diesel	4WD	2967	235	320	09.14-09.18	*
3.0 TDI quattro (CVUB)		Diesel	4WD	2967	240	326	09.14-09.18	*
A7 (U.S.A. 4G) 09.11-					[CAMBIADO]:Fastback (Executive car-E Segment)			
2.5 FSI		Gasolina	FWD	2498	150	204	02.14-	*
A7 Sportback (4GA, 4GF) 07.10-11.19					[CAMBIADO]:Fastback (Executive car-E Segment)			
1.8 TFSI (CYGA)		Gasolina	FWD	1798	140	190	04.15-05.18	*
2.0 TFSI quattro (CYPB)		Gasolina	4WD	1984	183	249	05.15-05.18	*
2.0 TFSI (CYPA)		Gasolina	FWD	1984	185	252	09.14-05.18	*
2.0 TFSI quattro (CYNB)		Gasolina	4WD	1984	185	252	05.15-05.18	*
2.0 TFSI quattro (CYPA)		Gasolina	4WD	1984	185	252	05.15-05.18	*
2.8 FSI (CHVA)		Gasolina	FWD	2773	150	204	02.11-03.15	*
2.8 FSI quattro (CHVA)		Gasolina	4WD	2773	150	204	10.10-03.15	*
2.8 FSI quattro (CNYA)		Gasolina	4WD	2773	150	204	10.10-03.15	*
2.8 FSI quattro (CVPA)		Gasolina	4WD	2773	162	220	09.14-05.18	*
3.0 TFSI quattro (CGWB)		Gasolina	4WD	2995	220	300	10.10-05.12	*
3.0 TFSI quattro (CHMA)		Gasolina	4WD	2995	220	300	10.10-05.12	*
3.0 TFSI quattro (CGWD)		Gasolina	4WD	2995	228	310	01.11-03.15	*
3.0 TFSI quattro (CGXB)		Gasolina	4WD	2995	228	310	01.11-03.15	*
3.0 TFSI quattro (CTTA)		Gasolina	4WD	2995	228	310	01.11-03.15	*
3.0 TFSI quattro (CTUA)		Gasolina	4WD	2995	228	310	01.11-03.15	*
3.0 TFSI quattro (CREC)		Gasolina	4WD	2995	245	333	05.14-05.18	*
3.0 TFSI quattro		Gasolina	4WD	2995	250	340	05.16-05.18	*
S7 quattro (CEUC)		Gasolina	4WD	3993	309	420	02.12-03.15	*
S7 quattro (CTGE)		Gasolina	4WD	3993	331	450	07.14-05.18	*
RS7 quattro (CRDB)		Gasolina	4WD	3993	412	560	10.13-04.18	*
RS7 quattro (CWUB)		Gasolina	4WD	3993	412	560	10.13-04.18	*

LISTA DE APLICACIONES - BUYERS GUIDE

RS7 performance quattro (CWUC)		Gasolina	4WD	3993	445	605	11.15-04.18	*
3.0 TDI (CZVE)		Diesel	FWD	2967	140	190	11.15-05.18	*
3.0 TDI quattro (CZVE)		Diesel	4WD	2967	140	190	11.15-05.18	*
3.0 TDI quattro (CZVF)		Diesel	4WD	2967	140	190	11.15-05.18	*
3.0 TDI (CLAB)		Diesel	FWD	2967	150	204	11.10-03.15	*
3.0 TDI quattro (CLAA)		Diesel	4WD	2967	150	204	12.10-03.15	*
3.0 TDI (CZVD)		Diesel	FWD	2967	155	211	11.15-05.18	*
3.0 TDI quattro (CRTF)		Diesel	4WD	2967	155	211	07.14-05.18	*
3.0 TDI quattro (CTCB)		Diesel	4WD	2967	155	211	07.14-05.18	*
3.0 TDI quattro (CZVC)		Diesel	4WD	2967	155	211	07.14-05.18	*
3.0 TDI (CTCC)		Diesel	FWD	2967	160	218	07.14-05.18	*
3.0 TDI (CZVB)		Diesel	FWD	2967	160	218	07.14-05.18	*
3.0 TDI quattro (CRTE)		Diesel	4WD	2967	160	218	07.14-05.18	*
3.0 TDI quattro (CZVA)		Diesel	4WD	2967	160	218	07.14-05.18	*
3.0 TDI quattro (CPNB)		Diesel	4WD	2967	176	239	05.13-06.17	*
3.0 TDI quattro (CDUC)		Diesel	4WD	2967	180	245	10.10-06.16	*
3.0 TDI quattro (CDUD)		Diesel	4WD	2967	180	245	10.10-06.16	*
3.0 TDI quattro (CKVB)		Diesel	4WD	2967	180	245	10.10-06.16	*
3.0 TDI quattro (CKVC)		Diesel	4WD	2967	180	245	10.10-06.16	*
3.0 TDI quattro (CRTD)		Diesel	4WD	2967	200	272	05.14-05.18	*
3.0 TDI quattro (CGQB)		Diesel	4WD	2967	230	313	11.11-03.15	*
3.0 TDI quattro (CVUA)		Diesel	4WD	2967	235	320	05.14-05.18	*
3.0 TDI quattro (CVUB)		Diesel	4WD	2967	240	326	09.14-05.18	*
A8 III D4 (4H2, 4H8, 4HC, 4HL) 11.09-					Sedán (Luxury car-F Segment)			
2.0 TFSI quattro (CYPA)		Gasolina	4WD	1984	185	252	09.16-01.18	*
Q5 (U.S.A. 8R) 09.08-12.10					Closed SUV (Luxury Crossover SUV-J Segment)			
3.2		Gasolina	FWD		201	274	09.08-12.10	*
Q5 (8RB) 11.08-12.17					Furgoneta/SUV (Luxury Crossover SUV-J Segment)			
2.0 TFSI quattro		Gasolina	4WD	1984	155	211	11.08-09.12	*
3.2 FSI quattro		Gasolina	4WD	3197	199	271	11.08-09.12	*
2.0 TDI		Diesel	FWD	1968	100	136	05.14-05.17	*
2.0 TDI		Diesel	FWD	1968	105	143	11.11-05.13	*
2.0 TDI		Diesel	FWD	1968	110	150	06.12-05.17	*
2.0 TDI quattro		Diesel	4WD	1968	125	170	11.08-09.12	*
2.0 TDI quattro		Diesel	4WD	1968	130	177	07.12-06.14	*
2.0 TDI		Diesel	FWD	1968	140	190	05.15-05.17	*
3.0 TDI quattro		Diesel	4WD	2967	176	239	11.08-04.13	*
3.0 TDI quattro		Diesel	4WD	2967	180	245	06.12-05.17	*
3.0 TDI quattro		Diesel	4WD	2967	190	258	11.13-05.17	*
Q5 (8RB) 11.08-					SUV (Luxury Crossover SUV-J Segment)			
2.0 TFSI quattro		Gasolina	4WD	1984	130	177	09.09-10.09	*
2.0 TFSI quattro (CDNB)		Gasolina	4WD	1984	132	180	08.09-05.17	*
2.0 TFSI quattro (CNCB)		Gasolina	4WD	1984	132	180	08.09-05.17	*
2.0 TFSI quattro (CAEB)		Gasolina	4WD	1984	155	211	11.08-09.12	*
2.0 TFSI quattro (CDNC)		Gasolina	4WD	1984	155	211	11.08-09.12	*
2.0 TFSI quattro (CPMB)		Gasolina	4WD	1984	162	220	05.13-05.17	*
2.0 TFSI quattro (CNCD)		Gasolina	4WD	1984	165	224	06.12-05.16	*
2.0 TFSI quattro (CNCE)		Gasolina	4WD	1984	169	230	08.15-05.17	*
3.0 TFSI quattro (CTUC)		Gasolina	4WD	2995	200	272	06.12-05.17	*

LISTA DE APLICACIONES - BUYERS GUIDE

3.0 TFSI quattro (CTVA)	Gasolina	4WD	2995	200	272	06.12-05.17	*
SQ5 TFSI quattro (CTUD)	Gasolina	4WD	2995	260	354	05.13-05.17	*
SQ5 TFSI quattro (CTXA)	Gasolina	4WD	2995	260	354	05.13-05.17	*
SQ5 TFSI	Gasolina	FWD	2995	264	359	03.14-	*
3.2 FSI quattro (CALB)	Gasolina	4WD	3197	199	270	11.08-12.12	*
2.0 TFSI Hybrid quattro (CHJA)	Gasol./el éc.	4WD	1984	180	245	06.11-06.16	*
2.0 TFSI Hybrid quattro (CHJA)	Gasol./el éc.	4WD	1984	180	245	09.12-05.16	*
2.0 TDI (CJCB)	Diesel	FWD	1968	100	136	11.10-05.17	*
2.0 TDI (CSUB)	Diesel	FWD	1968	100	136	11.10-05.17	*
2.0 TDI quattro (CAGB)	Diesel	4WD	1968	100	136	08.09-05.17	*
2.0 TDI quattro (CJCB)	Diesel	4WD	1968	100	136	08.09-05.17	*
2.0 TDI quattro (CSUB)	Diesel	4WD	1968	100	136	08.09-05.17	*
2.0 TDI (CJCA)	Diesel	FWD	1968	105	143	11.10-05.13	*
2.0 TDI quattro (CAGA)	Diesel	4WD	1968	105	143	08.09-05.13	*
2.0 TDI quattro (CJCA)	Diesel	4WD	1968	105	143	08.09-05.13	*
2.0 TDI (CJCD)	Diesel	FWD	1968	110	150	05.13-05.17	*
2.0 TDI (CSUA)	Diesel	FWD	1968	110	150	05.13-05.17	*
2.0 TDI quattro (CJCD)	Diesel	4WD	1968	110	150	05.13-05.17	*
2.0 TDI quattro (CSUA)	Diesel	4WD	1968	110	150	05.13-05.17	*
2.0 TDI quattro (CAHB)	Diesel	4WD	1968	120	163	11.08-05.17	*
2.0 TDI quattro (CGLA)	Diesel	4WD	1968	120	163	11.08-05.17	*
2.0 TDI quattro (CGLD)	Diesel	4WD	1968	120	163	11.08-05.17	*
2.0 TDI quattro (CNHC)	Diesel	4WD	1968	120	163	11.08-05.17	*
2.0 TDI quattro (CAHA)	Diesel	4WD	1968	125	170	11.08-09.12	*
2.0 TDI quattro (CGLB)	Diesel	4WD	1968	125	170	11.08-09.12	*
2.0 TDI quattro (CMGA)	Diesel	4WD	1968	125	170	11.08-09.12	*
2.0 TDI quattro (CGLC)	Diesel	4WD	1968	130	177	06.12-05.17	*
2.0 TDI quattro (CMGB)	Diesel	4WD	1968	130	177	06.12-05.17	*
2.0 TDI (CNHA)	Diesel	FWD	1968	140	190	09.15-05.17	*
2.0 TDI quattro (CNHA)	Diesel	4WD	1968	140	190	11.13-05.17	*
3.0 TDI quattro (CCWA)	Diesel	4WD	2967	176	240	11.08-05.17	*
3.0 TDI quattro (CPNB)	Diesel	4WD	2967	176	240	11.08-05.17	*
3.0 TDI quattro (CDUD)	Diesel	4WD	2967	180	245	06.12-05.17	*
3.0 TDI quattro (CTBC)	Diesel	4WD	2967	184	250	06.12-05.17	*
3.0 TDI quattro (CTBA)	Diesel	4WD	2967	190	258	11.13-05.17	*

PORSCHE

MACAN (95B) 02.14-	SUV (Compact SUV-J Segment)						
2.0 (MCN.CC)	Gasolina	4WD	1984	174	237	05.14-09.18	*
2.0 (MCY.NA)	Gasolina	4WD	1984	174	237	05.14-09.18	*
2.0 (DKNA)	Gasolina	4WD	1984	180	245	05.18-	*
2.0 (DLHB)	Gasolina	4WD	1984	185	252	05.15-	*
2.0 (MCY.NB)	Gasolina	4WD	1984	185	252	05.15-	*
2.0 (MCY.PA)	Gasolina	4WD	1984	185	252	05.15-	*
2.0 (95BAU1)	Gasolina	4WD	1984	195	265	05.18-	*
2.9 GTS (95BBL1)	Gasolina	4WD	2894	280	380	05.19-	*
2.9 S (95BBV1) (DGRB)	Gasolina	4WD	2894	280	380	05.21-	*
2.9 GTS AWD (95BBW1) (DGRC)	Gasolina	4WD	2894	324	441	05.21-	*
2.9 Turbo AWD (95BCI1) (DGR)	Gasolina	4WD	2894	324	441	05.18-	*
2.9 Turbo AWD (95BCI1) (DGRC)	Gasolina	4WD	2894	324	441	05.18-	*
3.0S (DLZB)	Gasolina	4WD	2995	260	354	05.18-	*

LISTA DE APLICACIONES - BUYERS GUIDE

3.0S (MCT.MA)		Gasolina	4WD	2997	250	340	02.14-09.18	*
3.0 GTS (MDC.NA)		Gasolina	4WD	2997	265	360	10.15-09.18	*
3.6 Turbo (MCT.LA)		Gasolina	4WD	3604	294	400	02.14-09.18	*
3.6 Turbo (MDH.KA)		Gasolina	4WD	3604	324	441	09.16-	*
3.0 S Diesel (MCT.BB)		Diesel	4WD	2967	155	211	02.14-09.18	*
3.0 S Diesel (MCD.UD)		Diesel	4WD	2967	180	245	02.14-09.18	*
3.0 S Diesel (MCT.BC)		Diesel	4WD	2967	184	250	02.14-09.18	*
3.0 S Diesel (MCT.BA)		Diesel	4WD	2967	190	258	02.14-09.18	*