

# LISTA DE APLICACIONES - BUYERS GUIDE

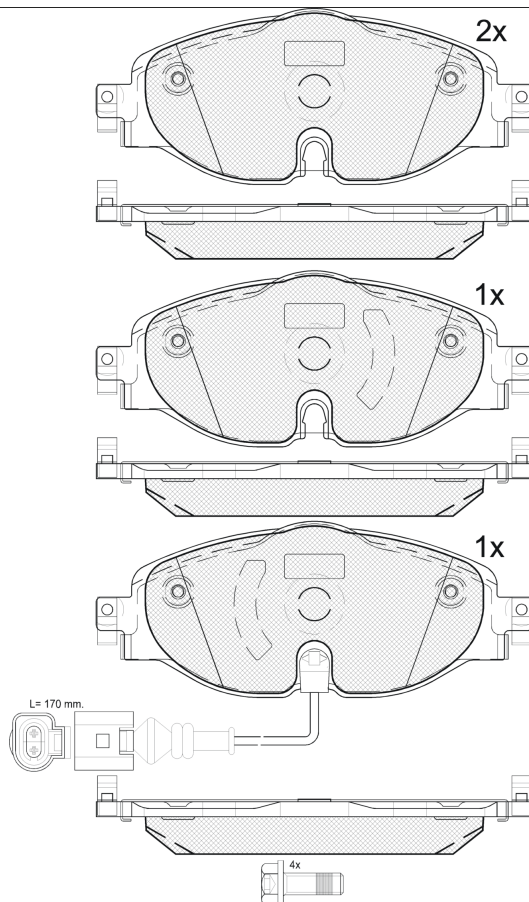
## RB2111



Qty: 300

Weight: 2.195

O.E.M.	MAKE
5Q0 698 151	VW
5Q0 698 151 A	VW
5Q0 698 151 AA	SEAT
5Q0 698 151 AE	VW
5Q0 698 151 AF	VW
5Q0 698 151 AH	VW
5Q0 698 151 AN	AUDI
5Q0 698 151 B	VW
5Q0 698 151 F	SKODA
5Q0 698 151 N	VW
5QD 698 151 A	VW
8V0 698 151	VW
8V0 698 151 A	VW
8V0 698 151 B	VW
8V0 698 151 D	VW
8V0 698 151 G	VW
8V0 698 151 S	AUDI



1-Ref. 690173 E

## RB2111

E 9 90R-02A0111/3374



Trw

160.1x64.6x19.9

WVA	FMSI
25086	D1760-8989
25683	
25684	
25931	

Sin Filas



Trac.	CC	Kw	CV
-------	----	----	----



Front / Rear

### AUDI

					[CAMBIADO]:Fastback (Compact executive car-D Segment)				
<b>A3 III (8V1, 8VK) 04.12-</b>									
1.0 TFSI (CHZD)		Gasolina	FWD	999	85	115	07.16-12.17	*	
1.2 TFSI (CJZA)		Gasolina	FWD	1197	77	105	02.13-05.15	*	
1.2 TFSI (CYVB)		Gasolina	FWD	1197	81	110	05.14-08.16	*	
1.4 TFSI (CMBA)		Gasolina	FWD	1395	90	122	04.12-05.14	*	
1.4 TFSI (CXSA)		Gasolina	FWD	1395	90	122	04.12-05.14	*	
1.4 TFSI (CXSB)		Gasolina	FWD	1395	92	125	05.14-08.16	*	
1.4 TFSI (CZCA)		Gasolina	FWD	1395	92	125	05.14-08.16	*	
1.4 TFSI (CPTA)		Gasolina	FWD	1395	103	140	03.13-08.16	*	
1.4 TSI (CZEA)		Gasolina	FWD	1395	110	150	05.14-12.17	*	
1.5 TFSI (DADA)		Gasolina	FWD	1498	110	150	05.17-12.17	*	
1.8 TFSI (CJSA)		Gasolina	FWD	1798	132	180	04.12-08.16	*	
1.8 TFSI quattro (CJSB)		Gasolina	4WD	1798	132	180	08.12-08.16	*	
2.0 TFSI (CZPB)		Gasolina	FWD	1984	140	190	05.16-12.17	*	
2.0 TFSI quattro (CZPB)		Gasolina	4WD	1984	140	190	05.16-12.17	*	
S3 quattro (CJXB)		Gasolina	4WD	1984	206	280	02.13-07.14	*	
S3 quattro (CJXF)		Gasolina	4WD	1984	210	286	05.14-08.16	*	
S3 quattro (CJXD)		Gasolina	4WD	1984	213	290	07.16-12.17	*	
S3 quattro (DJHB)		Gasolina	4WD	1984	213	290	07.16-12.17	*	
S3 quattro (CJXC)		Gasolina	4WD	1984	221	300	11.12-08.16	*	
S3 quattro (CJXG)		Gasolina	4WD	1984	228	310	06.16-12.17	*	
S3 quattro (DJHA)		Gasolina	4WD	1984	228	310	06.16-12.17	*	
1.6 TDI (CLHA)		Diesel	FWD	1598	77	105	10.12-05.15	*	
1.6 TDI (CRKB)		Diesel	FWD	1598	81	110	09.13-12.17	*	

# LISTA DE APLICACIONES - BUYERS GUIDE

1.6 TDI (CXXB)		Diesel	FWD	1598	81	110	09.13-12.17	*
1.6 TDI (DBKA)		Diesel	FWD	1598	81	110	09.13-12.17	*
1.6 TDI (DDYA)		Diesel	FWD	1598	85	115	02.17-10.20	*
2.0 TDI (CRFA)		Diesel	FWD	1968	81	110	01.13-08.16	*
2.0 TDI (CRBD)		Diesel	FWD	1968	100	136	05.13-08.16	*
2.0 TDI (CRLC)		Diesel	FWD	1968	100	136	05.13-08.16	*
2.0 TDI (CRFC)		Diesel	FWD	1968	105	143	09.12-10.20	*
2.0 TDI (CRBC)		Diesel	FWD	1968	110	150	04.12-12.17	*
2.0 TDI (CRLB)		Diesel	FWD	1968	110	150	04.12-12.17	*
2.0 TDI (CRUA)		Diesel	FWD	1968	110	150	04.12-12.17	*
2.0 TDI (DBGA)		Diesel	FWD	1968	110	150	04.12-12.17	*
2.0 TDI (DCYA)		Diesel	FWD	1968	110	150	04.12-12.17	*
2.0 TDI (DEJA)		Diesel	FWD	1968	110	150	04.12-12.17	*
2.0 TDI quattro (CRBC)		Diesel	4WD	1968	110	150	10.12-12.17	*
2.0 TDI quattro (CRLB)		Diesel	4WD	1968	110	150	10.12-12.17	*
2.0 TDI quattro (DCYA)		Diesel	4WD	1968	110	150	10.12-12.17	*
2.0 TDI (CUNA)		Diesel	FWD	1968	135	184	05.13-12.17	*
2.0 TDI quattro (CUNA)		Diesel	4WD	1968	135	184	12.12-12.17	*
2.0 TDI quattro (DGCA)		Diesel	4WD	1968	135	184	12.12-12.17	*
<b>A3 III (8V7, 8VE) 10.13-</b>							<b>Cabrio (Compact executive car-D Segment)</b>	
1.4 TFSI (CZCC)		Gasolina	FWD	1395	85	115	02.16-10.20	*
1.4 TFSI (CXSB)		Gasolina	FWD	1395	92	125	02.14-07.16	*
1.4 TFSI (CZCA)		Gasolina	FWD	1395	92	125	02.14-07.16	*
1.4 TFSI (CPTA)		Gasolina	FWD	1395	103	140	10.13-05.14	*
1.4 TSI (CZEA)		Gasolina	FWD	1395	110	150	05.14-10.20	*
1.5 TFSI (DADA)		Gasolina	FWD	1498	110	150	05.17-10.18	*
35 TFSI (DADA)		Gasolina	FWD	1498	110	150	10.18-10.20	*
35 TFSI (DPCA)		Gasolina	FWD	1498	110	150	10.18-10.20	*
1.8 TFSI (CNSB)		Gasolina	FWD	1798	125	170	05.14-10.20	*
1.8 TFSI (CJSA)		Gasolina	FWD	1798	132	180	10.13-07.16	*
1.8 TFSI (CJSB)		Gasolina	FWD	1798	132	180	10.13-07.16	*
1.8 TFSI quattro (CJSB)		Gasolina	4WD	1798	132	180	03.14-07.16	*
2.0 TFSI (CZPB)		Gasolina	FWD	1984	140	190	05.16-10.20	*
2.0 TFSI quattro (CZPB)		Gasolina	4WD	1984	140	190	05.16-10.20	*
40 TFSI (DKZA)		Gasolina	FWD	1984	140	190	11.18-10.20	*
40 TFSI quattro (DKZA)		Gasolina	4WD	1984	140	190	11.18-10.20	*
2.0 TFSI quattro (CNTC)		Gasolina	4WD	1984	162	220	05.14-10.20	*
S3 quattro (CJXF)		Gasolina	4WD	1984	210	286	03.14-07.16	*
S3 quattro (DJHB)		Gasolina	4WD	1984	213	290	07.16-10.20	*
S3 quattro (CJXC)		Gasolina	4WD	1984	221	300	04.14-10.20	*
S3 quattro (DNUE)		Gasolina	4WD	1984	221	300	04.14-10.20	*
S3 quattro (DJHA)		Gasolina	4WD	1984	228	310	07.16-10.20	*
1.6 TDI (CRKB)		Diesel	FWD	1598	81	110	02.14-10.20	*
1.6 TDI (CXXB)		Diesel	FWD	1598	81	110	02.14-10.20	*
1.6 TDI (DDYA)		Diesel	FWD	1598	85	115	04.17-10.20	*
2.0 TDI (CRLC)		Diesel	FWD	1968	100	136	10.13-07.16	*
2.0 TDI (CRLB)		Diesel	FWD	1968	110	150	10.13-10.20	*
2.0 TDI (DCYA)		Diesel	FWD	1968	110	150	10.13-10.20	*
2.0 TDI quattro (CRLB)		Diesel	4WD	1968	110	150	03.14-10.20	*
2.0 TDI quattro (DCYA)		Diesel	4WD	1968	110	150	03.14-10.20	*
2.0 TDI (CUNA)		Diesel	FWD	1968	135	184	05.14-07.16	*

# LISTA DE APLICACIONES - BUYERS GUIDE

2.0 TDI quattro (CUNA)		Diesel	4WD	1968	135	184	05.14-10.20	*
2.0 TDI quattro (DGCA)		Diesel	4WD	1968	135	184	05.14-10.20	*
							<b>Sedán (Compact executive car-D Segment)</b>	
<b>A3 III (8VS, 8VM) 05.13-</b>								
1.0 TFSI (CHZD)		Gasolina	FWD	999	85	115	07.16-10.20	*
30 TFSI (DKRF)		Gasolina	FWD	999	85	115	07.18-10.20	*
1.2 TFSI (CJZA)		Gasolina	FWD	1197	77	105	10.13-05.15	*
1.2 TFSI (CYVB)		Gasolina	FWD	1197	81	110	05.14-08.16	*
1.4 TFSI (CXSA)		Gasolina	FWD	1395	90	122	09.13-10.20	*
1.4 TFSI (CXSB)		Gasolina	FWD	1395	92	125	09.13-08.16	*
1.4 TFSI (CZCA)		Gasolina	FWD	1395	92	125	09.13-08.16	*
1.4 TFSI (CPTA)		Gasolina	FWD	1395	103	140	05.13-08.16	*
1.4 TSI (CZEA)		Gasolina	FWD	1395	110	150	05.14-10.20	*
1.5 TFSI (DADA)		Gasolina	FWD	1498	110	150	05.17-10.18	*
35 TFSI (DADA)		Gasolina	FWD	1498	110	150	10.18-10.20	*
35 TFSI (DPCA)		Gasolina	FWD	1498	110	150	10.18-10.20	*
1.8 TFSI (CNSB)		Gasolina	FWD	1798	125	170	11.13-10.20	*
1.8 TFSI (CJSA)		Gasolina	FWD	1798	132	180	05.13-08.16	*
1.8 TFSI (CJSB)		Gasolina	FWD	1798	132	180	05.13-08.16	*
1.8 TFSI quattro (CJSB)		Gasolina	4WD	1798	132	180	11.13-08.16	*
2.0 TFSI (CZPB)		Gasolina	FWD	1984	140	190	05.16-10.20	*
2.0 TFSI (DKZA)		Gasolina	FWD	1984	140	190	05.16-10.20	*
2.0 TFSI quattro (CZPB)		Gasolina	4WD	1984	140	190	05.16-10.20	*
2.0 TFSI quattro (DKZA)		Gasolina	4WD	1984	140	190	05.16-10.20	*
40 TFSI (DKZA)		Gasolina	FWD	1984	140	190	07.18-10.20	*
40 TFSI quattro (DKZA)		Gasolina	4WD	1984	140	190	07.18-10.20	*
2.0 TFSI (CHHB)		Gasolina	FWD	1984	162	220	11.15-10.20	*
2.0 TFSI (CNTC)		Gasolina	FWD	1984	162	220	11.15-10.20	*
S3 quattro (CJXB)		Gasolina	4WD	1984	206	280	10.13-05.14	*
S3 quattro (CJXF)		Gasolina	4WD	1984	210	286	05.14-08.16	*
S3 quattro (CJXD)		Gasolina	4WD	1984	213	290	08.16-10.20	*
S3 quattro (DJHB)		Gasolina	4WD	1984	213	290	08.16-10.20	*
S3 quattro (CYFB)		Gasolina	4WD	1984	215	292	05.14-10.20	*
S3 quattro (CJXC)		Gasolina	4WD	1984	221	300	10.13-10.20	*
S3 quattro (DNUE)		Gasolina	4WD	1984	221	300	10.13-10.20	*
S3 quattro (CJXG)		Gasolina	4WD	1984	228	310	06.16-10.20	*
S3 quattro (DJHA)		Gasolina	4WD	1984	228	310	06.16-10.20	*
1.6 TDI (CLHA)		Diesel	FWD	1598	77	105	09.13-05.15	*
1.6 TDI (CRKB)		Diesel	FWD	1598	81	110	05.14-10.20	*
1.6 TDI (CXXB)		Diesel	FWD	1598	81	110	05.14-10.20	*
1.6 TDI (DBKA)		Diesel	FWD	1598	81	110	05.14-10.20	*
1.6 TDI quattro (CXXB)		Diesel	4WD	1598	81	110	05.15-08.16	*
1.6 TDI (DDYA)		Diesel	FWD	1598	85	115	03.17-10.20	*
30 TDI (DGTE)		Diesel	FWD	1598	85	115	07.18-10.20	*
2.0 TDI (CRFA)		Diesel	FWD	1968	81	110	05.13-10.20	*
2.0 TDI (DEJB)		Diesel	FWD	1968	81	110	05.13-10.20	*
2.0 TDI (CRBD)		Diesel	FWD	1968	100	136	09.13-08.16	*
2.0 TDI (CRLC)		Diesel	FWD	1968	100	136	09.13-08.16	*
2.0 TDI (CRFC)		Diesel	FWD	1968	105	143	10.13-10.20	*
2.0 TDI (CRBC)		Diesel	FWD	1968	110	150	05.13-10.20	*
2.0 TDI (CRLB)		Diesel	FWD	1968	110	150	05.13-10.20	*
2.0 TDI (CRUA)		Diesel	FWD	1968	110	150	05.13-10.20	*

# LISTA DE APLICACIONES - BUYERS GUIDE

2.0 TDI (DBGA)		Diesel	FWD	1968	110	150	05.13-10.20	*
2.0 TDI (DCYA)		Diesel	FWD	1968	110	150	05.13-10.20	*
2.0 TDI (DEJA)		Diesel	FWD	1968	110	150	05.13-10.20	*
2.0 TDI (DFGA)		Diesel	FWD	1968	110	150	05.13-10.20	*
2.0 TDI quattro (CRBC)		Diesel	4WD	1968	110	150	10.13-10.20	*
2.0 TDI quattro (CRLB)		Diesel	4WD	1968	110	150	10.13-10.20	*
2.0 TDI quattro (DCYA)		Diesel	4WD	1968	110	150	10.13-10.20	*
35 TDI (DFGA)		Diesel	FWD	1968	110	150	07.18-10.20	*
2.0 TDI (CUNA)		Diesel	FWD	1968	135	184	05.14-07.18	*
2.0 TDI quattro (CUNA)		Diesel	4WD	1968	135	184	05.14-07.18	*
2.0 TDI quattro (DGCA)		Diesel	4WD	1968	135	184	05.14-07.18	*
40 TDI quattro (DJGA)		Diesel	4WD	1968	135	184	07.18-07.19	*
<b>A3 III Sportback (8VA, 8VF) 09.12-</b>						<b>[CAMBIADO]:Fastback (Compact executive car-D Segment)</b>		
1.0 TFSI (CHZD)		Gasolina	FWD	999	85	115	07.16-10.20	*
1.0 TFSI (DKRF)		Gasolina	FWD	999	85	115	07.16-10.20	*
30 TFSI (DKRF)		Gasolina	FWD	999	85	116	07.18-10.20	*
1.2 TFSI (CJZA)		Gasolina	FWD	1197	77	105	05.13-05.15	*
1.2 TFSI (CYVB)		Gasolina	FWD	1197	81	110	05.14-08.16	*
1.4 TFSI (CMBA)		Gasolina	FWD	1395	90	122	09.12-10.20	*
1.4 TFSI (CXSA)		Gasolina	FWD	1395	90	122	09.12-10.20	*
1.4 TFSI (CXSB)		Gasolina	FWD	1395	92	125	05.14-08.16	*
1.4 TFSI (CZCA)		Gasolina	FWD	1395	92	125	05.14-08.16	*
1.4 TFSI (CPTA)		Gasolina	FWD	1395	103	140	03.13-11.14	*
1.4 TSI (CZEA)		Gasolina	FWD	1395	110	150	05.14-10.20	*
1.5 TFSI (DADA)		Gasolina	FWD	1498	110	150	05.17-10.18	*
35 TFSI (DADA)		Gasolina	FWD	1498	110	150	10.18-10.20	*
35 TFSI (DPCA)		Gasolina	FWD	1498	110	150	10.18-10.20	*
1.8 TFSI (CJSA)		Gasolina	FWD	1798	132	180	09.12-08.16	*
1.8 TFSI (CJSB)		Gasolina	FWD	1798	132	180	09.12-08.16	*
1.8 TFSI quattro (CJSB)		Gasolina	4WD	1798	132	180	05.13-08.16	*
2.0 TFSI (CZPB)		Gasolina	FWD	1984	140	190	05.16-10.20	*
2.0 TFSI (DKZA)		Gasolina	FWD	1984	140	190	05.16-10.20	*
2.0 TFSI quattro (CZPB)		Gasolina	4WD	1984	140	190	05.16-10.20	*
2.0 TFSI quattro (DKZA)		Gasolina	4WD	1984	140	190	05.16-10.20	*
40 TFSI (DKZA)		Gasolina	FWD	1984	140	190	07.18-10.20	*
40 TFSI quattro (DKZA)		Gasolina	4WD	1984	140	190	07.18-10.20	*
2.0 45 TFSI		Gasolina	FWD	1984	162	220	02.15-08.16	*
S3 quattro (CJXB)		Gasolina	4WD	1984	206	280	05.13-08.16	*
S3 quattro (CJXD)		Gasolina	4WD	1984	213	290	07.16-10.20	*
S3 quattro (DJHB)		Gasolina	4WD	1984	213	290	07.16-10.20	*
S3 quattro (CJXC)		Gasolina	4WD	1984	221	300	11.12-10.20	*
S3 quattro (DNUE)		Gasolina	4WD	1984	221	300	11.12-10.20	*
S3 quattro (CJXG)		Gasolina	4WD	1984	228	310	06.16-10.20	*
S3 quattro (DJHA)		Gasolina	4WD	1984	228	310	06.16-10.20	*
1.4 TFSI g-tron (CPWA)		Gasol./Gas (CNG)	FWD	1395	81	110	11.13-10.20	*
30 g-tron (DHFA)		Gasol./Gas (CNG)	FWD	1498	96	131	11.18-10.20	*
1.4 TFSI e-tron (CUKB)		Gasol./el éc.	FWD	1395	110	150	05.14-10.20	*
1.4 TFSI e-tron (CXUA)		Gasol./el éc.	FWD	1395	110	150	05.14-10.20	*

# LISTA DE APLICACIONES - BUYERS GUIDE

1.4 TFSI e-tron (CXUA)		Gasol./el éc.	FWD	1395	150	204	05.14-10.20	*	
40 e-tron		Gasol./el éc.	FWD	1395	150	204	07.18-10.20	*	
1.6 TDI (CLHA)		Diesel	FWD	1598	77	105	10.12-12.16	*	
1.6 TDI (CRKB)		Diesel	FWD	1598	81	110	09.13-10.20	*	
1.6 TDI (CXXB)		Diesel	FWD	1598	81	110	09.13-10.20	*	
1.6 TDI (DBKA)		Diesel	FWD	1598	81	110	09.13-10.20	*	
1.6 TDI quattro (CXXB)		Diesel	4WD	1598	81	110	05.15-08.16	*	
1.6 TDI (DDYA)		Diesel	FWD	1598	85	115	02.17-10.20	*	
30 TDI (DGTE)		Diesel	FWD	1598	85	115	07.18-10.20	*	
2.0 TDI (CRFA)		Diesel	FWD	1968	81	110	05.13-10.20	*	
2.0 TDI (DEJB)		Diesel	FWD	1968	81	110	05.13-10.20	*	
2.0 TDI (CRBD)		Diesel	FWD	1968	100	136	05.13-08.16	*	
2.0 TDI (CRLC)		Diesel	FWD	1968	100	136	05.13-08.16	*	
2.0 TDI (CRFC)		Diesel	FWD	1968	105	143	03.13-10.20	*	
2.0 TDI (CRBC)		Diesel	FWD	1968	110	150	09.12-10.20	*	
2.0 TDI (CRLB)		Diesel	FWD	1968	110	150	09.12-10.20	*	
2.0 TDI (CRUA)		Diesel	FWD	1968	110	150	09.12-10.20	*	
2.0 TDI (DBGA)		Diesel	FWD	1968	110	150	09.12-10.20	*	
2.0 TDI (DCYA)		Diesel	FWD	1968	110	150	09.12-10.20	*	
2.0 TDI (DEJA)		Diesel	FWD	1968	110	150	09.12-10.20	*	
2.0 TDI (DFGA)		Diesel	FWD	1968	110	150	09.12-10.20	*	
2.0 TDI quattro (CRBC)		Diesel	4WD	1968	110	150	02.13-10.20	*	
2.0 TDI quattro (CRLB)		Diesel	4WD	1968	110	150	02.13-10.20	*	
2.0 TDI quattro (DCYA)		Diesel	4WD	1968	110	150	02.13-10.20	*	
35 TDI (DFGA)		Diesel	FWD	1968	110	150	07.18-10.20	*	
2.0 TDI (CUNA)		Diesel	FWD	1968	135	184	05.13-07.18	*	
2.0 TDI quattro (CUNA)		Diesel	4WD	1968	135	184	05.13-07.18	*	
2.0 TDI quattro (DGCA)		Diesel	4WD	1968	135	184	05.13-07.18	*	
40 TDI quattro (DJGA)		Diesel	4WD	1968	135	184	07.18-10.20	*	
<b>A3 IV (8YS, 8YM) 03.20-</b>							<b>Sedán (Compact executive car-D Segment)</b>		
30 TFSI (DLAA)		Gasolina	FWD	999	81	110	06.20-	*	
35 TFSI (DJKA)		Gasolina	FWD	1395	110	150	08.20-	*	
30 TFSI		Gasolina	FWD	1498	85	116	05.24-	*	
35 TFSI (DPCA)		Gasolina	FWD	1498	110	150	04.20-	*	
40 TFSI quattro		Gasolina	4WD	1984	140	190	07.21-	*	
S3 TFSI quattro (DNFB)		Gasolina	4WD	1984	228	310	06.20-	*	
30 TFSI Mild Hybrid		Gasol./el éc.	FWD	999	81	110	06.20-	*	
30 TFSI Mild Hybrid		Gasol./el éc.	FWD	999	81	110	06.20-	*	
30 TFSI Mild Hybrid		Gasol./el éc.	FWD	1498	85	116	05.24-	*	
35 TFSI Mild Hybrid (DFYA)		Gasol./el éc.	FWD	1498	110	150	04.20-	*	
30 TDI (DSUD)		Diesel	FWD	1968	85	116	06.20-	*	
35 TDI (DSRB)		Diesel	FWD	1968	110	150	04.20-	*	
40 TDI quattro		Diesel	4WD	1968	147	200	12.20-	*	
<b>A3 IV Sportback (8YA, 8YF) 11.19-</b>							<b>[CAMBIADO]:Fastback (Compact executive car-D Segment)</b>		
30 TFSI (DLAA)		Gasolina	FWD	999	81	110	06.20-	*	
35 TFSI (DJKA)		Gasolina	FWD	1395	110	150	08.21-	*	
30 TFSI		Gasolina	FWD	1498	85	116	05.24-	*	
35 TFSI (DPCA)		Gasolina	FWD	1498	110	150	11.19-	*	

# LISTA DE APLICACIONES - BUYERS GUIDE

40 TFSI quattro		Gasolina	4WD	1984	140	190	07.21-	*	
S3 TFSI quattro (DNFB)		Gasolina	4WD	1984	228	310	06.20-	*	
30 g-tron (DHFA)		Gasol./Gas (CNG)	FWD	1498	96	131	07.20-	*	
30 TFSI Mild Hybrid (DLAA)		Gasol./eléc.	FWD	999	81	110	06.20-	*	
40 TFSIe (DGEA)		Gasol./eléc.	FWD	1395	150	204	06.20-	*	
45 TFSIe		Gasol./eléc.	FWD	1395	180	245	07.21-	*	
30 TFSI Mild Hybrid		Gasol./eléc.	FWD	1498	85	116	05.24-	*	
35 TFSI Mild Hybrid (DFYA)		Gasol./eléc.	FWD	1498	110	150	04.20-	*	
40 TFSIe		Gasol./eléc.	FWD	1498	150	204	06.24-	*	
45 TFSIe		Gasol./eléc.	FWD	1498	200	272	11.24-	*	
30 TDI (DSUD)		Diesel	FWD	1968	85	116	11.19-	*	
35 TDI (DSRB)		Diesel	FWD	1968	110	150	11.19-	*	
40 TDI quattro		Diesel	4WD	1968	147	200	12.20-	*	
<b>A3 Allstreet (8YJ) 02.24-</b>							<b>[CAMBIADO]:Fastback (Compact executive car-D Segment)</b>		
35 TFSI		Gasolina	FWD	1498	110	150	09.24-	*	
35 TFSI Mild Hybrid		Gasol./eléc.	FWD	1498	110	150	02.24-	*	
40 TFSIe		Gasol./eléc.	FWD	1498	150	204	11.24-	*	
35 TDI		Diesel	FWD	1968	110	150	02.24-	*	
<b>Q2 (GAB, GAG) 06.16-</b>							<b>SUV (Compact SUV-J Segment)</b>		
30 TFSI		Gasolina	FWD	999	81	110	08.20-	*	
1.0 TFSI (CHZJ)		Gasolina	FWD	999	85	115	10.16-10.20	*	
30 TFSI (DKRF)		Gasolina	FWD	999	85	116	07.18-	*	
1.4		Gasolina	FWD	1395	110	150	06.21-	*	
1.4 TFSI (CZEA)		Gasolina	FWD	1395	110	150	06.16-	*	
1.4 TFSI quattro		Gasolina	4WD	1395	110	150	09.16-	*	
35 TFSI (DADA)		Gasolina	FWD	1498	110	150	07.18-	*	
35 TFSI (DPCA)		Gasolina	FWD	1498	110	150	07.18-	*	
2.0 TFSI quattro		Gasolina	4WD	1984	140	190	05.17-	*	
2.0 TFSI quattro (CZPB)		Gasolina	4WD	1984	140	190	05.17-	*	
2.0 TFSI quattro (DKZA)		Gasolina	4WD	1984	140	190	05.17-	*	
40 TFSI quattro (DKZA)		Gasolina	4WD	1984	140	190	09.18-	*	
1.6 TDI (DDYA)		Diesel	FWD	1598	85	115	06.16-07.18	*	
30 TDI (DGTE)		Diesel	FWD	1598	85	115	07.18-10.20	*	
30 TDI		Diesel	FWD	1968	85	116	02.21-	*	
2.0 TDI (DFGA)		Diesel	FWD	1968	110	150	09.16-	*	
2.0 TDI quattro (DFGA)		Diesel	4WD	1968	110	150	09.16-	*	
35 TDI (DFGA)		Diesel	FWD	1968	110	150	09.16-	*	
35 TDI quattro (DFGA)		Diesel	4WD	1968	110	150	01.19-	*	
2.0 TDI quattro (DFHA)		Diesel	4WD	1968	140	190	07.16-08.18	*	
<b>Q3 II (F3B) 07.18-</b>							<b>SUV (Compact Crossover CUV-C Segment)</b>		
35 TFSI (DADA)		Gasolina	FWD	1498	110	150	08.18-	*	
35 TFSI (DPCA)		Gasolina	FWD	1498	110	150	08.18-	*	
40 TFSI quattro (DKTC)		Gasolina	4WD	1984	140	190	07.18-06.21	*	
45 TFSI		Gasolina	FWD	1984	169	230	07.18-	*	
45 TFSI quattro (DKTA)		Gasolina	4WD	1984	169	230	07.18-	*	

# LISTA DE APLICACIONES - BUYERS GUIDE

45 TFSI quattro		Gasolina	4WD	1984	180	245	01.21-	*	
45 TFSIe		Gasol./el éc.	FWD	1395	180	245	11.20-	*	
35 TFSI Mild Hybrid (DFYA)		Gasol./el éc.	FWD	1498	110	150	11.19-	*	
35 TDI (DFGA)		Diesel	FWD	1968	110	150	09.18-	*	
35 TDI quattro (DFGA)		Diesel	4WD	1968	110	150	09.18-	*	
40 TDI		Diesel	FWD	1968	140	190	09.18-	*	
40 TDI quattro (DFHA)		Diesel	4WD	1968	140	190	10.18-	*	
40 TDI quattro		Diesel	4WD	1968	142	193	04.24-	*	
40 TDI quattro		Diesel	4WD	1968	147	200	11.20-	*	
<b>Q3 II Sportback (F3N) 06.19-</b>					<b>SUV (Compact Crossover CUV-C Segment)</b>				
35 TFSI (DPCA)		Gasolina	FWD	1498	110	150	09.19-	*	
40 TFSI quattro (DKTC)		Gasolina	4WD	1984	140	190	11.19-06.21	*	
45 TFSI quattro (DKTA)		Gasolina	4WD	1984	169	230	06.19-	*	
45 TFSI quattro		Gasolina	4WD	1984	180	245	01.21-	*	
45 TFSIe		Gasol./el éc.	FWD	1395	180	245	11.20-	*	
35 TFSI Mild Hybrid (DFYA)		Gasol./el éc.	FWD	1498	110	150	11.19-	*	
35 TDI (DFGA)		Diesel	FWD	1968	110	150	11.19-	*	
35 TDI quattro (DFGA)		Diesel	4WD	1968	110	150	09.19-	*	
40 TDI quattro (DFHA)		Diesel	4WD	1968	140	190	07.19-	*	
40 TDI quattro		Diesel	4WD	1968	142	193	04.24-	*	
40 TDI quattro (DTUA)		Diesel	4WD	1968	147	200	09.20-	*	
<b>TT III (FV9, FVR) 11.14-</b>					<b>Cabrio (Sports car-S Segment)</b>				
1.8 TFSI (CJSA)		Gasolina	FWD	1798	132	180	07.15-08.18	*	
1.8 TFSI (CJSB)		Gasolina	FWD	1798	132	180	07.15-08.18	*	
40 TFSI (DKZB)		Gasolina	FWD	1984	145	197	07.18-	*	
2.0 TFSI (CHHC)		Gasolina	FWD	1984	169	230	11.14-	*	
2.0 TFSI quattro (CHHC)		Gasolina	4WD	1984	169	230	11.14-	*	
45 TFSI (DKTB)		Gasolina	FWD	1984	180	245	07.18-	*	
45 TFSI quattro (DKTB)		Gasolina	4WD	1984	180	245	07.18-	*	
2.0 TTS TFSI quattro (CJXF)		Gasolina	4WD	1984	210	286	02.15-	*	
2.0 TFSI		Gasolina	FWD	1984	215	292	07.15-	*	
2.0 TTS TFSI quattro (CJXG)		Gasolina	4WD	1984	228	310	11.14-	*	
2.5 RS TFSI quattro (DAZA)		Gasolina	4WD	2480	294	400	05.16-	*	
2.5 RS TFSI quattro (DNWA)		Gasolina	4WD	2480	294	400	05.16-	*	
2.0 TDI (CUNA)		Diesel	FWD	1968	135	184	11.14-	*	
2.0 TDI quattro (CUNA)		Diesel	4WD	1968	135	184	01.17-	*	
<b>TT III (FV3, FVP) 07.14-</b>					<b>Coupé (Sports car-S Segment)</b>				
1.8 TFSI (CJSA)		Gasolina	FWD	1798	132	180	07.15-08.18	*	
1.8 TFSI (CJSB)		Gasolina	FWD	1798	132	180	07.15-08.18	*	
40 TFSI (DKZB)		Gasolina	FWD	1984	145	197	07.18-	*	
2.0 TFSI (CHHC)		Gasolina	FWD	1984	169	230	07.14-	*	
2.0 TFSI quattro (CHHC)		Gasolina	4WD	1984	169	230	07.14-	*	
45 TFSI (DKTB)		Gasolina	FWD	1984	180	245	07.18-	*	
45 TFSI quattro (DKTB)		Gasolina	4WD	1984	180	245	07.18-	*	
2.0 TTS TFSI quattro (CJXF)		Gasolina	4WD	1984	210	286	02.15-	*	
2.0 TTS TFSI quattro (CYFB)		Gasolina	4WD	1984	215	292	07.15-	*	
2.0 TTS quattro (CJXG)		Gasolina	4WD	1984	228	310	11.14-	*	
2.5 RS TFSI quattro (DAZA)		Gasolina	4WD	2480	294	400	05.16-	*	

# LISTA DE APLICACIONES - BUYERS GUIDE

2.5 RS TFSI quattro (DNWA)	Gasolina	4WD	2480	294	400	05.16-	*
2.0 TDI (CUNA)	Diesel	FWD	1968	135	184	07.14-	*
2.0 TDI quattro (CUNA)	Diesel	4WD	1968	135	184	01.17-	*
<b>AUDI (FAW)</b>							
<b>A3 (88A) 07.20-</b>				<b>[CAMBIADO]:Fastback (Compact executive car-D Segment)</b>			
35 TFSI (DJSA)	Gasolina	FWD	1498	110	150	01.21-	*
<b>A3L (888) 07.20-</b>				<b>Sedán (Compact executive car-D Segment)</b>			
35 TFSI (DJSA)	Gasolina	FWD	1395	110	150	01.21-	*
<b>Q2L (G1I, G1U) 10.18-</b>				<b>SUV (Compact SUV-J Segment)</b>			
35 TFSI (DJSA)	Gasolina	FWD	1395	110	150	10.18-	*
e-tron (EBDA)	Eléctrico	FWD		100	136	11.19-	*
<b>CUPRA</b>							
<b>FORMENTOR (KM7, KMP) 07.20-</b>				<b>SUV (Compact SUV-J Segment)</b>			
1.5 TSI	Gasolina	FWD	1498	110	150	11.20-	*
2.0 TSI	Gasolina	FWD	1984	140	190	01.21-	*
2.0 TSI 4Drive	Gasolina	4WD	1984	140	190	08.20-	*
1.4 e-HYBRID	Gasol./el éc.	FWD	1395	110	150	01.21-	*
1.4 e-HYBRID	Gasol./el éc.	FWD	1395	150	204	01.21-	*
1.4 e-Hybrid VZ	Gasol./el éc.	FWD	1395	180	245	02.21-	*
1.5 eTSI	Gasol./el éc.	FWD	1498	110	150	05.24-	*
1.5 e-HYBRID	Gasol./el éc.	FWD	1498	150	204	07.24-	*
2.0 TDI	Diesel	FWD	1968	110	150	03.21-	*
2.0 TDI 4Drive	Diesel	4WD	1968	110	150	03.21-	*
<b>LEON (KL1, KU1, KUG) 09.20-</b>				<b>[CAMBIADO]:Fastback (Compact car-C Segment)</b>			
2.0 TSI	Gasolina	FWD	1984	140	190	09.22-	*
1.4 e-HYBRID	Gasol./el éc.	FWD	1395	150	204	09.20-	*
1.5 e-HYBRID	Gasol./el éc.	FWD	1498	150	204	07.24-	*
<b>LEON Sportstourer (KL8, KU8, KUD) 09.20-</b>				<b>[CAMBIADO]:Break (Compact car-C Segment)</b>			
2.0 TSI	Gasolina	FWD	1984	140	190	09.22-	*
1.4 e-HYBRID	Gasol./el éc.	FWD	1395	150	204	09.20-	*
e-HYBRID	Gasol./el éc.	FWD	1498	150	204	07.24-	*
<b>JETTA</b>							
<b>VS 5 (0L1, 0L2) 09.19-</b>				<b>SUV (Compact SUV-J Segment)</b>			
280TSi (DJSA)	Gasolina	FWD	1395	110	150	09.19-	*
<b>SEAT</b>							
<b>ATECA (KH7, KHP) 04.16-</b>				<b>SUV (Compact SUV-J Segment)</b>			
1.0 TSI	Gasolina	FWD	999	81	110	09.20-	*
1.0 TSI (CHZJ)	Gasolina	FWD	999	85	116	05.16-	*
1.0 TSI (DKRF)	Gasolina	FWD	999	85	116	05.16-	*
1.4 TSI (CZEA)	Gasolina	FWD	1395	110	150	06.16-	*
1.4 TSI 4Drive (CZEA)	Gasolina	4WD	1395	110	150	06.16-	*
1.5 TSI (DADA)	Gasolina	FWD	1498	110	150	07.18-	*
1.5 TSI (DPCA)	Gasolina	FWD	1498	110	150	07.18-	*

# LISTA DE APLICACIONES - BUYERS GUIDE

1.5 TSI 4Drive (DADA)		Gasolina	4WD	1498	110	150	07.18-	*	
1.5 TSI 4Drive (DPCA)		Gasolina	4WD	1498	110	150	07.18-	*	
2.0 TSI 4Drive (CZPB)		Gasolina	4WD	1984	140	190	05.17-	*	
2.0 TSI 4Drive (DKZA)		Gasolina	4WD	1984	140	190	05.17-	*	
1.6 TDI (DDYA)		Diesel	FWD	1598	85	115	04.16-	*	
1.6 TDI (DGTE)		Diesel	FWD	1598	85	115	04.16-	*	
2.0 TDI (CRVA)		Diesel	FWD	1968	81	110	10.16-	*	
2.0 TDI		Diesel	FWD	1968	85	116	01.21-	*	
2.0 TDI (CRVC)		Diesel	FWD	1968	105	143	10.16-	*	
2.0 TDI (DFFA)		Diesel	FWD	1968	110	150	04.16-	*	
2.0 TDI 4Drive (DFFA)		Diesel	4WD	1968	110	150	04.16-	*	
2.0 TDI 4Drive (DFHA)		Diesel	4WD	1968	140	190	06.16-	*	
<b>LEON III (5F1) 09.12-</b>							<b>[CAMBIADO]:Fastback (Compact car-C Segment)</b>		
1.0 TSI (DKLB)		Gasolina	FWD	999	63	86	09.18-08.20	*	
1.0 TSI (CHZD)		Gasolina	FWD	999	85	115	05.15-08.20	*	
1.0 TSI (DKRF)		Gasolina	FWD	999	85	115	05.15-08.20	*	
1.2 TSI (CJZB)		Gasolina	FWD	1197	63	86	12.12-08.18	*	
1.2 TSI (CYVA)		Gasolina	FWD	1197	63	86	12.12-08.18	*	
1.2 TSI (CJZA)		Gasolina	FWD	1197	77	105	01.13-08.20	*	
1.2 TSI (CYVB)		Gasolina	FWD	1197	81	110	04.14-08.20	*	
1.4 TSI (CMBA)		Gasolina	FWD	1395	90	122	11.12-10.16	*	
1.4 TSI (CXSA)		Gasolina	FWD	1395	90	122	11.12-10.16	*	
1.4 TSI (CZCA)		Gasolina	FWD	1395	92	125	05.14-08.20	*	
1.4 TSI (CHPA)		Gasolina	FWD	1395	103	140	09.12-08.20	*	
1.4 TSI (CPTA)		Gasolina	FWD	1395	103	140	09.12-08.20	*	
1.4 TSI (CZDA)		Gasolina	FWD	1395	110	150	05.14-08.20	*	
1.4 TSI (CZEA)		Gasolina	FWD	1395	110	150	05.14-08.20	*	
1.5 TSI (DACA)		Gasolina	FWD	1495	96	130	09.18-08.20	*	
1.5 TSI (DPBA)		Gasolina	FWD	1495	96	130	09.18-08.20	*	
1.5 TSI (DADA)		Gasolina	FWD	1498	110	150	09.18-08.20	*	
1.5 TSI (DPCA)		Gasolina	FWD	1498	110	150	09.18-08.20	*	
1.8 TSI (CJSA)		Gasolina	FWD	1798	132	180	02.13-08.18	*	
2.0 TSI (DKZA)		Gasolina	FWD	1984	140	190	09.18-08.20	*	
1.4 TGI (CPWA)		Gasol./Gas (CNG)	FWD	1395	81	110	02.13-08.18	*	
1.5 TGI (DHFA)		Gasol./Gas (CNG)	FWD	1498	96	131	10.18-08.20	*	
1.6 TDI (CLHB)		Diesel	FWD	1598	66	90	11.12-08.18	*	
1.6 TDI (CXXA)		Diesel	FWD	1598	66	90	11.12-08.18	*	
1.6 TDI (DDYB)		Diesel	FWD	1598	66	90	11.12-08.18	*	
1.6 TDI (CLHA)		Diesel	FWD	1598	77	105	09.12-08.20	*	
1.6 TDI (CRKB)		Diesel	FWD	1598	81	110	09.13-08.20	*	
1.6 TDI (CXXB)		Diesel	FWD	1598	81	110	09.13-08.20	*	
1.6 TDI (DBKA)		Diesel	FWD	1598	81	110	09.13-08.20	*	
1.6 TDI (DDYA)		Diesel	FWD	1598	85	115	11.16-08.20	*	
1.6 TDI (DGTE)		Diesel	FWD	1598	85	115	11.16-08.20	*	
2.0 TDI (CRLD)		Diesel	FWD	1968	81	110	05.13-08.20	*	
2.0 TDI (CRVA)		Diesel	FWD	1968	81	110	05.13-08.20	*	
2.0 TDI (CRVC)		Diesel	FWD	1968	105	143	05.13-08.20	*	
2.0 TDI (CKFC)		Diesel	FWD	1968	110	150	10.12-08.20	*	
2.0 TDI (CRMB)		Diesel	FWD	1968	110	150	10.12-08.20	*	

# LISTA DE APLICACIONES - BUYERS GUIDE

2.0 TDI (DFFA)		Diesel	FWD	1968	110	150	10.12-08.20	*	
2.0 TDI (CUNA)		Diesel	FWD	1968	135	184	09.12-08.20	*	
2.0 TDI (CUPA)		Diesel	FWD	1968	135	184	09.12-08.20	*	
2.0 TDI (DJGA)		Diesel	FWD	1968	135	184	09.12-08.20	*	
							<b>Furgón/hatchback (Compact car-C Segment)</b>		
<b>LEON III (5F1) 09.12-</b>									
1.0 TSI (CHZD)		Gasolina	FWD	999	85	115	05.15-08.20	*	
1.2 TSI (CJZB)		Gasolina	FWD	1197	63	86	01.13-08.18	*	
1.2 TSI (CYVA)		Gasolina	FWD	1197	63	86	01.13-08.18	*	
1.2 TSI (CYVB)		Gasolina	FWD	1197	81	110	04.14-08.18	*	
1.4 TSI (CMBA)		Gasolina	FWD	1395	90	122	09.12-10.16	*	
1.4 TSI (CXSA)		Gasolina	FWD	1395	90	122	09.12-10.16	*	
1.4 TSI (CHPA)		Gasolina	FWD	1395	103	140	09.12-10.16	*	
1.4 TSI (CPTA)		Gasolina	FWD	1395	103	140	09.12-10.16	*	
1.4 TSI (CZEA)		Gasolina	FWD	1395	110	150	05.14-08.20	*	
1.8 TFSI (CJSA)		Gasolina	FWD	1798	132	180	02.13-08.18	*	
1.6 TDI (CLHB)		Diesel	FWD	1598	66	90	11.12-10.16	*	
1.6 TDI (CLHA)		Diesel	FWD	1598	77	105	09.12-10.16	*	
1.6 TDI (CRKB)		Diesel	FWD	1598	81	110	09.13-10.16	*	
1.6 TDI (CXXB)		Diesel	FWD	1598	81	110	09.13-10.16	*	
1.6 TDI (DBKA)		Diesel	FWD	1598	81	110	09.13-10.16	*	
1.6 TDI (DDYA)		Diesel	FWD	1598	85	115	11.16-08.20	*	
2.0 TDI (CKFC)		Diesel	FWD	1968	110	150	10.12-08.18	*	
2.0 TDI (CRMB)		Diesel	FWD	1968	110	150	10.12-08.18	*	
2.0 TDI (CUNA)		Diesel	FWD	1968	135	184	02.13-08.18	*	
2.0 TDI (CUPA)		Diesel	FWD	1968	135	184	02.13-08.18	*	
							<b>Coupé (Compact car-C Segment)</b>		
<b>LEON III SC (5F5) 01.13-</b>									
1.0 TSI (CHZD)		Gasolina	FWD	999	85	115	05.15-08.18	*	
1.2 TSI (CJZB)		Gasolina	FWD	1197	63	86	01.13-08.18	*	
1.2 TSI (CYVA)		Gasolina	FWD	1197	63	86	01.13-08.18	*	
1.2 TSI (CJZA)		Gasolina	FWD	1197	77	105	02.13-04.14	*	
1.2 TSI (CYVB)		Gasolina	FWD	1197	81	110	05.14-08.18	*	
1.4 TSI (CMBA)		Gasolina	FWD	1395	90	122	02.13-06.15	*	
1.4 TSI (CXSA)		Gasolina	FWD	1395	90	122	02.13-06.15	*	
1.4 TSI (CZCA)		Gasolina	FWD	1395	92	125	05.14-08.18	*	
1.4 TSI (CHPA)		Gasolina	FWD	1395	103	140	02.13-11.16	*	
1.4 TSI (CPTA)		Gasolina	FWD	1395	103	140	02.13-11.16	*	
1.4 TSI (CZEA)		Gasolina	FWD	1395	110	150	05.14-08.18	*	
1.8 TSI (CJSA)		Gasolina	FWD	1798	132	180	02.13-08.18	*	
1.6 TDI (CLHB)		Diesel	FWD	1598	66	90	02.13-08.18	*	
1.6 TDI (CXXA)		Diesel	FWD	1598	66	90	02.13-08.18	*	
1.6 TDI (DDYB)		Diesel	FWD	1598	66	90	02.13-08.18	*	
1.6 TDI (CLHA)		Diesel	FWD	1598	77	105	02.13-08.18	*	
1.6 TDI (CRKB)		Diesel	FWD	1598	81	110	09.13-11.16	*	
1.6 TDI (CXXB)		Diesel	FWD	1598	81	110	09.13-11.16	*	
1.6 TDI (DDYA)		Diesel	FWD	1598	85	115	11.16-08.18	*	
2.0 TDI		Diesel	FWD	1968	81	110	02.13-	*	
2.0 TDI (CRVA)		Diesel	FWD	1968	81	110	02.13-08.18	*	
2.0 TDI (CRVC)		Diesel	FWD	1968	105	143	05.13-08.18	*	
2.0 TDI (CKFC)		Diesel	FWD	1968	110	150	02.13-08.18	*	
2.0 TDI (CRMB)		Diesel	FWD	1968	110	150	02.13-08.18	*	

# LISTA DE APLICACIONES - BUYERS GUIDE

2.0 TDI (CUNA)		Diesel	FWD	1968	135	184	03.13-08.18	*
2.0 TDI (CUPA)		Diesel	FWD	1968	135	184	03.13-08.18	*
<b>[CAMBIADO]:Break (Compact car-C Segment)</b>								
<b>LEON III ST (5F8) 09.12-</b>								
1.0 TSI (DKLB)		Gasolina	FWD	999	63	86	09.18-08.20	*
1.0 TSI (CHZD)		Gasolina	FWD	999	85	115	05.15-08.20	*
1.0 TSI (DKRF)		Gasolina	FWD	999	85	115	05.15-08.20	*
1.2 TSI (CJZB)		Gasolina	FWD	1197	63	86	11.13-08.18	*
1.2 TSI (CYVA)		Gasolina	FWD	1197	63	86	11.13-08.18	*
1.2 TSI (CJZA)		Gasolina	FWD	1197	77	105	08.13-08.20	*
1.2 TSI (CYVB)		Gasolina	FWD	1197	81	110	05.14-08.20	*
1.4 TSI (CMBA)		Gasolina	FWD	1395	90	122	09.12-06.15	*
1.4 TSI (CXSA)		Gasolina	FWD	1395	90	122	09.12-06.15	*
1.4 TSI (CZCA)		Gasolina	FWD	1395	92	125	05.14-08.18	*
1.4 TSI (CHPA)		Gasolina	FWD	1395	103	140	10.13-08.20	*
1.4 TSI (CPTA)		Gasolina	FWD	1395	103	140	10.13-08.20	*
1.4 TSI (CZEA)		Gasolina	FWD	1395	110	150	05.14-08.20	*
1.5 TSI (DACA)		Gasolina	FWD	1495	96	130	09.18-08.20	*
1.5 TSI (DPBA)		Gasolina	FWD	1495	96	130	09.18-08.20	*
1.5 TSI (DADA)		Gasolina	FWD	1498	110	150	09.18-08.20	*
1.5 TSI (DPCA)		Gasolina	FWD	1498	110	150	09.18-08.20	*
1.8 TSI (CJSA)		Gasolina	FWD	1798	132	180	10.13-08.18	*
1.8 TSI 4Drive (CJSA)		Gasolina	4WD	1798	132	180	11.14-08.18	*
1.8 TSI 4Drive (CJSB)		Gasolina	4WD	1798	132	180	11.14-08.18	*
2.0 TSI (DKZA)		Gasolina	FWD	1984	140	190	07.18-08.20	*
2.0 TSI 4Drive (DKZA)		Gasolina	4WD	1984	140	190	09.18-08.20	*
1.4 TGI (CPWA)		Gasol./Gas (CNG)	FWD	1395	81	110	10.13-08.18	*
1.5 TGI (DHFA)		Gasol./Gas (CNG)	FWD	1498	96	131	10.18-08.20	*
1.6 TDI (CLHB)		Diesel	FWD	1598	66	90	11.13-08.18	*
1.6 TDI (CXXA)		Diesel	FWD	1598	66	90	11.13-08.18	*
1.6 TDI (DDYB)		Diesel	FWD	1598	66	90	11.13-08.18	*
1.6 TDI (CLHA)		Diesel	FWD	1598	77	105	10.13-08.20	*
1.6 TDI 4Drive (CLHA)		Diesel	4WD	1598	77	105	04.14-08.20	*
1.6 TDI (CRKB)		Diesel	FWD	1598	81	110	09.13-08.20	*
1.6 TDI (CXXB)		Diesel	FWD	1598	81	110	09.13-08.20	*
1.6 TDI (DBKA)		Diesel	FWD	1598	81	110	09.13-08.20	*
1.6 TDI 4Drive (CXXB)		Diesel	4WD	1598	81	110	11.14-08.20	*
1.6 TDI (DDYA)		Diesel	FWD	1598	85	115	11.16-08.20	*
1.6 TDI (DGTE)		Diesel	FWD	1598	85	115	11.16-08.20	*
1.6 TDI 4Drive (DGTE)		Diesel	4WD	1598	85	115	07.18-08.20	*
2.0 TDI (CRVA)		Diesel	FWD	1968	81	110	02.13-12.16	*
2.0 TDI (CRVC)		Diesel	FWD	1968	105	143	10.13-08.18	*
2.0 TDI (CKFC)		Diesel	FWD	1968	110	150	10.13-08.20	*
2.0 TDI (CRBC)		Diesel	FWD	1968	110	150	10.13-08.20	*
2.0 TDI (CRLB)		Diesel	FWD	1968	110	150	10.13-08.20	*
2.0 TDI (CRMB)		Diesel	FWD	1968	110	150	10.13-08.20	*
2.0 TDI (DFFA)		Diesel	FWD	1968	110	150	10.13-08.20	*
2.0 TDI (DFGA)		Diesel	FWD	1968	110	150	10.13-08.20	*
2.0 TDI 4Drive (CRBC)		Diesel	4WD	1968	110	150	04.14-08.20	*
2.0 TDI 4Drive (CRLB)		Diesel	4WD	1968	110	150	04.14-08.20	*

# LISTA DE APLICACIONES - BUYERS GUIDE

2.0 TDI 4Drive (CRMB)		Diesel	4WD	1968	110	150	04.14-08.20	*	
2.0 TDI 4Drive (DCYA)		Diesel	4WD	1968	110	150	04.14-08.20	*	
2.0 TDI 4Drive (DFGA)		Diesel	4WD	1968	110	150	04.14-08.20	*	
2.0 TDI (CUNA)		Diesel	FWD	1968	135	184	08.13-08.20	*	
2.0 TDI (CUPA)		Diesel	FWD	1968	135	184	08.13-08.20	*	
2.0 TDI (DJGA)		Diesel	FWD	1968	135	184	08.13-08.20	*	
2.0 TDI 4Drive (CUNA)		Diesel	4WD	1968	135	184	11.14-08.18	*	
2.0 TDI 4Drive (DJGA)		Diesel	4WD	1968	135	184	11.14-08.18	*	
<b>LEON III ST (5F8) 01.13-</b>							<b>[CAMBIADO]:Furgón/Break (Compact car-C Segment)</b>		
1.0 TSI (CHZD)		Gasolina	FWD	999	85	115	05.15-08.20	*	
1.2 TSI (CJZB)		Gasolina	FWD	1197	63	86	01.13-08.18	*	
1.2 TSI (CYVA)		Gasolina	FWD	1197	63	86	01.13-08.18	*	
1.2 TSI (CYVB)		Gasolina	FWD	1197	81	110	05.14-08.18	*	
1.4 TSI (CZDA)		Gasolina	FWD	1395	110	150	05.14-08.20	*	
1.4 TSI (CZEA)		Gasolina	FWD	1395	110	150	05.14-08.20	*	
1.8 TFSI (CJSA)		Gasolina	FWD	1798	132	180	10.13-08.18	*	
1.6 TDI (CRKB)		Diesel	FWD	1598	81	110	09.13-08.20	*	
1.6 TDI (CXXB)		Diesel	FWD	1598	81	110	09.13-08.20	*	
1.6 TDI (DBKA)		Diesel	FWD	1598	81	110	09.13-08.20	*	
1.6 TDI (DDYA)		Diesel	FWD	1598	85	115	11.16-08.20	*	
2.0 TDI (CKFC)		Diesel	FWD	1968	110	150	04.13-08.18	*	
2.0 TDI (CRBC)		Diesel	FWD	1968	110	150	04.13-08.18	*	
2.0 TDI (CRLB)		Diesel	FWD	1968	110	150	04.13-08.18	*	
2.0 TDI (CRMB)		Diesel	FWD	1968	110	150	04.13-08.18	*	
2.0 TDI 4Drive (CRBC)		Diesel	4WD	1968	110	150	09.14-08.18	*	
2.0 TDI 4Drive (CRLB)		Diesel	4WD	1968	110	150	09.14-08.18	*	
2.0 TDI (CUNA)		Diesel	FWD	1968	135	184	08.13-08.18	*	
2.0 TDI (CUPA)		Diesel	FWD	1968	135	184	08.13-08.18	*	
2.0 TDI 4Drive (CUNA)		Diesel	4WD	1968	135	184	10.14-08.18	*	
<b>LEON IV (KL1, KLG) 11.19-</b>							<b>[CAMBIADO]:Fastback (Compact car-C Segment)</b>		
1.0 TSI (DLAB)		Gasolina	FWD	999	66	90	03.20-	*	
1.0 TSI (DLAA)		Gasolina	FWD	999	81	110	03.20-	*	
1.5 TSI (DPBA)		Gasolina	FWD	1495	96	131	11.19-	*	
1.5 TSI (DPCA)		Gasolina	FWD	1498	110	150	11.19-	*	
2.0 TFSI		Gasolina	FWD	1984	140	190	03.21-	*	
1.5 TGI CNG (DHFA)		Gasol./Gas (CNG)	FWD	1498	96	131	08.20-	*	
1.0 TSI Mild Hybrid		Gasol./el éc.	FWD	999	81	110	08.20-	*	
1.4 TSI e-Hybrid (DGEA)		Gasol./el éc.	FWD	1395	110	150	05.20-	*	
1.4 TSI e-Hybrid		Gasol./el éc.	FWD	1395	150	204	05.20-	*	
1.5 eTSI (DFYA)		Gasol./el éc.	FWD	1498	110	150	11.19-	*	
1.5 e-HYBRID		Gasol./el éc.	FWD	1498	150	204	10.24-	*	
1.5 e-HYBRID		Gasol./el éc.	FWD	1498	150	204	06.24-	*	
2.0 TDI (DSUD)		Diesel	FWD	1968	85	116	11.19-	*	
2.0 TDI (DSTB)		Diesel	FWD	1968	110	150	11.19-	*	
<b>LEON IV Sportstourer (KL8, KLD) 03.20-</b>							<b>[CAMBIADO]:Break (Compact car-C Segment)</b>		
1.0 TSI (DLAB)		Gasolina	FWD	999	66	90	03.20-	*	

# LISTA DE APLICACIONES - BUYERS GUIDE

1.0 TSI (DLAA)		Gasolina	FWD	999	81	110	03.20-	*	
1.5 TSI (DPBA)		Gasolina	FWD	1495	96	131	03.20-	*	
1.5 TSI (DPCA)		Gasolina	FWD	1498	110	150	03.20-	*	
2.0 TFSI		Gasolina	FWD	1984	140	190	03.21-	*	
1.5 TGI		Gasol./Gas (CNG)	FWD	1498	96	131	05.21-	*	
1.0 TSI Mild Hybrid		Gasol./el éc.	FWD	999	81	110	08.20-	*	
1.4 TSI e-Hybrid (DGEA)		Gasol./el éc.	FWD	1395	110	150	05.20-	*	
1.4 TSI e-Hybrid		Gasol./el éc.	FWD	1395	150	204	05.20-	*	
1.5 eTSI (DFYA)		Gasol./el éc.	FWD	1498	110	150	03.20-	*	
1.5 eHybrid		Gasol./el éc.	FWD	1498	150	204	06.24-	*	
1.5 e-HYBRID		Gasol./el éc.	FWD	1498	150	204	10.24-	*	
2.0 TDI		Diesel	FWD	1968	85	116	11.20-	*	
2.0 TDI (DSTB)		Diesel	FWD	1968	110	150	04.20-	*	
TDI 4Drive		Diesel	4WD	1968	110	150	11.20-	*	
<b>TARRACO (KN2) 09.18-</b>							<b>SUV (Compact Crossover CUV-C Segment)</b>		
1.5 TSI ACT (DADA)		Gasolina	FWD	1498	110	150	09.18-05.24	*	
1.5 TSI ACT (DPCA)		Gasolina	FWD	1498	110	150	09.18-05.24	*	
1.4 TSI Plug in Hybrid		Gasol./el éc.	FWD	1395	110	150	02.21-	*	
TSI e-HYBRID		Gasol./el éc.	FWD	1395	180	245	02.21-05.24	*	
2.0 TDI (DFGA)		Diesel	FWD	1968	110	150	09.18-05.24	*	
2.0 TDI 4Drive (DFGA)		Diesel	4WD	1968	110	150	09.18-05.24	*	
<b>SKODA</b>									
<b>(NS6, NS7, NV7) 10.16-</b>							<b>Furgoneta/SUV ()</b>		
1.5 TSI		Gasolina	FWD	1498	110	150	07.18-	*	
2.0 TDI		Diesel	FWD	1968	110	150	03.17-	*	
2.0 TDI 4x4		Diesel	4WD	1968	110	150	03.17-	*	
<b>KAROQ (NU7, ND7) 07.17-</b>							<b>SUV (Compact Crossover CUV-C Segment)</b>		
1.0 TSI		Gasolina	FWD	999	81	110	09.20-	*	
1.0 TSI (CHZJ)		Gasolina	FWD	999	85	116	07.17-	*	
1.0 TSI (DKRF)		Gasolina	FWD	999	85	116	07.17-	*	
1.4 TSI (CZEA)		Gasolina	FWD	1395	110	150	07.17-	*	
1.4 TSI 4x4 (CZEA)		Gasolina	4WD	1395	110	150	09.19-	*	
1.5 TSI (DADA)		Gasolina	FWD	1498	110	150	07.17-	*	
1.5 TSI (DPCA)		Gasolina	FWD	1498	110	150	07.17-	*	
1.5 TSI 4x4 (DADA)		Gasolina	4WD	1498	110	150	07.17-	*	
1.5 TSI 4x4 (DPCA)		Gasolina	4WD	1498	110	150	07.17-	*	
1.6 SRE (CWVA)		Gasolina	FWD	1598	81	110	07.17-	*	
2.0 TSI 4x4 (DKZA)		Gasolina	4WD	1984	140	190	11.18-	*	
1.6 TDI (DDYA)		Diesel	FWD	1598	85	115	07.17-	*	
1.6 TDI (DGTE)		Diesel	FWD	1598	85	115	07.17-	*	
2.0 TDI		Diesel	FWD	1968	85	116	11.20-	*	
2.0 TDI 4x4		Diesel	4WD	1968	85	116	07.20-	*	
2.0 TDI (DFFA)		Diesel	FWD	1968	110	150	07.17-	*	
2.0 TDI 4x4 (DFFA)		Diesel	4WD	1968	110	150	07.17-	*	
2.0 TDI 4x4 (DFHA)		Diesel	4WD	1968	140	190	07.17-	*	

# LISTA DE APLICACIONES - BUYERS GUIDE

<b>KODIAQ (NS6, NS7, NV7) 10.16-</b>					<b>SUV (Large SUV-J Segment)</b>			
1.4 TSI (CZCA)	Gasolina	FWD	1395	92	125	10.16-	*	
1.4 TSI (CZDA)	Gasolina	FWD	1395	110	150	10.16-	*	
1.4 TSI (CZEA)	Gasolina	FWD	1395	110	150	10.16-	*	
1.4 TSI 4x4 (CZDA)	Gasolina	4WD	1395	110	150	10.16-	*	
1.4 TSI 4x4 (CZEA)	Gasolina	4WD	1395	110	150	10.16-	*	
1.5 TSI (DADA)	Gasolina	FWD	1498	110	150	07.18-	*	
1.5 TSI (DPCA)	Gasolina	FWD	1498	110	150	07.18-	*	
1.5 TSI 4x4 (DADA)	Gasolina	4WD	1498	110	150	07.18-	*	
1.5 TSI 4x4 (DPCA)	Gasolina	4WD	1498	110	150	07.18-	*	
2.0 TSI 4x4 (CZPA)	Gasolina	4WD	1984	132	180	10.16-	*	
2.0 TDI (DFGC)	Diesel	FWD	1968	85	115	02.19-	*	
2.0 TDI	Diesel	FWD	1968	85	116	07.18-	*	
2.0 TDI (DBGA)	Diesel	FWD	1968	110	150	10.16-	*	
2.0 TDI (DBGC)	Diesel	FWD	1968	110	150	10.16-	*	
2.0 TDI (DFGA)	Diesel	FWD	1968	110	150	10.16-	*	
2.0 TDI (DTSB)	Diesel	FWD	1968	110	150	10.16-	*	
2.0 TDI 4x4 (DBGA)	Diesel	4WD	1968	110	150	10.16-	*	
2.0 TDI 4x4 (DBGC)	Diesel	4WD	1968	110	150	10.16-	*	
2.0 TDI 4x4 (DFGA)	Diesel	4WD	1968	110	150	10.16-	*	
2.0 TDI 4x4 (DTSB)	Diesel	4WD	1968	110	150	10.16-	*	
2.0 TDI 4x4 (DFHA)	Diesel	4WD	1968	140	190	10.16-	*	
2.0 RS Bi-TDI 4x4 (CUAA)	Diesel	4WD	1968	176	239	11.18-	*	
<b>OCTAVIA IV (NX3, NN3, PV3) 01.20-</b>					<b>[CAMBIADO]:Fastback (Compact car-C Segment)</b>			
1.0 TSI (DLAA)	Gasolina	FWD	999	81	110	06.20-	*	
1.4 TSI (DJKA)	Gasolina	FWD	1395	110	150	01.21-	*	
1.5 TSI	Gasolina	FWD	1498	85	116	04.24-	*	
1.5 TSI (DPCA)	Gasolina	FWD	1498	110	150	01.20-	*	
1.6 SRE (CWVA)	Gasolina	FWD	1598	81	110	07.20-	*	
2.0 TFSI (CZPB)	Gasolina	FWD	1984	140	190	07.20-	*	
2.0 TSI 4x4 (CZPB, DNNA)	Gasolina	4WD	1984	140	190	07.20-	*	
1.5 TSI G-TEC (DHFA)	Gasol./Gas (CNG)	FWD	1498	96	131	06.20-	*	
1.0 TSI e-TEC (DLAA)	Gasol./el éc.	FWD	999	81	110	06.20-	*	
1.4 TSI iV (DGEA)	Gasol./el éc.	FWD	1395	110	150	06.20-	*	
1.4 TSI RS iV (DJKA)	Gasol./el éc.	FWD	1395	110	150	06.20-	*	
1.4 TSI iV	Gasol./el éc.	FWD	1395	150	204	06.20-	*	
1.4 TSI RS iV	Gasol./el éc.	FWD	1395	180	245	06.20-	*	
1.5 eTSI	Gasol./el éc.	FWD	1498	85	116	04.24-	*	
1.5 TSI e-TEC	Gasol./el éc.	FWD	1498	110	150	11.20-	*	
2.0 TDI (DSUD)	Diesel	FWD	1968	85	116	03.20-	*	
2.0 TDI (CRVC)	Diesel	FWD	1968	105	143	06.20-	*	
2.0 TDI (DSTB)	Diesel	FWD	1968	110	150	01.20-	*	
2.0 TDI 4x4	Diesel	4WD	1968	110	150	09.20-	*	
2.0 TDI RS (DTUA)	Diesel	FWD	1968	147	200	07.20-	*	
2.0 TDI RS 4x4 (DTUA)	Diesel	4WD	1968	147	200	07.20-	*	

# LISTA DE APLICACIONES - BUYERS GUIDE

<b>OCTAVIA IV Combi (NX5, PV5) 11.19-</b>					<b>[CAMBIADO]:Break (Compact car-C Segment)</b>			
1.0 TSI (DLAA)		Gasolina	FWD	999	81	110	06.20-	*
1.4 TSI (DJKA)		Gasolina	FWD	1395	110	150	06.20-	*
1.5 TSI		Gasolina	FWD	1498	85	116	04.24-	*
1.5 TSI (DPCA)		Gasolina	FWD	1498	110	150	11.19-	*
1.6 SRE (CWVA)		Gasolina	FWD	1598	81	110	06.20-	*
1.6 SRE		Gasolina	FWD	1598	81	110	06.20-	*
1.6 SRE		Gasolina	FWD	1598	81	110	09.20-	*
2.0 TFSI (CZPB)		Gasolina	FWD	1984	140	190	09.20-	*
2.0 TSI 4x4		Gasolina	4WD	1984	140	190	09.20-	*
1.5 TSI G-TEC (DHFA)		Gasol./Gas (CNG)	FWD	1498	96	131	06.20-	*
1.0 TSI e-TEC (DLAA)		Gasol./eléc.	FWD	999	81	110	06.20-	*
1.4 TSI iV (DGEA)		Gasol./eléc.	FWD	1395	110	150	06.20-	*
1.4 TSI RS iV (DJKA)		Gasol./eléc.	FWD	1395	110	150	06.20-	*
1.4 TSI iV		Gasol./eléc.	FWD	1395	150	204	06.20-	*
1.4 TSI RS iV		Gasol./eléc.	FWD	1395	180	245	06.20-	*
1.5 eTSI		Gasol./eléc.	FWD	1498	85	116	04.24-	*
1.5 TSI e-TEC		Gasol./eléc.	FWD	1498	110	150	11.20-	*
2.0 TDI (DSUD)		Diesel	FWD	1968	85	116	11.19-	*
2.0 TDI (CRVC)		Diesel	FWD	1968	105	143	06.20-	*
2.0 TDI (DSTB)		Diesel	FWD	1968	110	150	11.19-	*
2.0 TDI 4x4		Diesel	4WD	1968	110	150	09.20-	*
2.0 TDI RS (DTUA)		Diesel	FWD	1968	147	200	07.20-	*
2.0 TDI RS 4x4 (DTUA)		Diesel	4WD	1968	147	200	07.20-	*
<b>OCTAVIA III (5E3, NL3, NR3) 11.12-</b>					<b>[CAMBIADO]:Fastback (Compact car-C Segment)</b>			
1.0 TSI (CHZD)		Gasolina	FWD	999	85	115	05.16-10.20	*
1.0 TSI (DKRA)		Gasolina	FWD	999	85	115	05.16-10.20	*
1.0 TSI (DKRF)		Gasolina	FWD	999	85	115	05.16-10.20	*
1.2 TSI (CJZB)		Gasolina	FWD	1197	63	86	11.12-02.17	*
1.2 TSI (CYVA)		Gasolina	FWD	1197	63	86	11.12-02.17	*
1.2 TSI (CJZA)		Gasolina	FWD	1197	77	105	11.12-02.17	*
1.2 TSI (CYVB)		Gasolina	FWD	1197	81	110	05.15-02.17	*
1.4 TSI (CHPA)		Gasolina	FWD	1395	103	140	11.12-02.17	*
1.4 TSI (CHPB)		Gasolina	FWD	1395	110	150	08.14-10.20	*
1.4 TSI (CZDA)		Gasolina	FWD	1395	110	150	08.14-10.20	*
1.5 TSI (DADA)		Gasolina	FWD	1498	110	150	02.17-10.20	*
1.5 TSI (DPCA)		Gasolina	FWD	1498	110	150	02.17-10.20	*
1.6 (CWVA)		Gasolina	FWD	1598	81	110	01.14-10.20	*
1.8 TSI (CJSA)		Gasolina	FWD	1798	132	180	11.12-10.20	*
1.8 TSI 4x4 (CJSB)		Gasolina	4WD	1798	132	180	05.14-10.20	*
2.0 TSI (DKZA)		Gasolina	FWD	1984	140	190	02.17-10.20	*
2.0 TSI 4x4 (DKZA)		Gasolina	4WD	1984	140	190	02.19-10.20	*
2.0 TSI RS (CHHB)		Gasolina	FWD	1984	162	220	05.13-02.17	*
2.0 TSI RS (CHHA)		Gasolina	FWD	1984	169	230	05.15-10.20	*
1.4 TSI G-TEC (CPWA)		Gasol./Gas (CNG)	FWD	1395	81	110	11.13-02.17	*

# LISTA DE APLICACIONES - BUYERS GUIDE

1.6 TDI (CLHB)		Diesel	FWD	1598	66	90	11.12-10.20	*
1.6 TDI (CRKA)		Diesel	FWD	1598	66	90	11.12-10.20	*
1.6 TDI (CXXA)		Diesel	FWD	1598	66	90	11.12-10.20	*
1.6 TDI (DDYB)		Diesel	FWD	1598	66	90	11.12-10.20	*
1.6 TDI (CLHA)		Diesel	FWD	1598	77	105	11.12-05.15	*
1.6 TDI 4x4 (CLHA)		Diesel	4WD	1598	77	105	05.13-05.15	*
1.6 TDI (CRKB)		Diesel	FWD	1598	81	110	05.13-02.17	*
1.6 TDI (CXXB)		Diesel	FWD	1598	81	110	05.13-02.17	*
1.6 TDI (DBKA)		Diesel	FWD	1598	81	110	05.13-02.17	*
1.6 TDI 4x4 (CRKB)		Diesel	4WD	1598	81	110	05.15-02.17	*
1.6 TDI 4x4 (CXXB)		Diesel	4WD	1598	81	110	05.15-02.17	*
1.6 TDI (DDYA)		Diesel	FWD	1598	85	115	02.17-10.20	*
1.6 TDI (DGTE)		Diesel	FWD	1598	85	115	02.17-10.20	*
1.6 TDI 4x4 (DGTE)		Diesel	4WD	1598	85	115	02.17-10.20	*
2.0 TDI (CKFB)		Diesel	FWD	1968	105	143	11.12-02.17	*
2.0 TDI (CRVC)		Diesel	FWD	1968	105	143	11.12-02.17	*
2.0 TDI (CKFC)		Diesel	FWD	1968	110	150	11.12-10.20	*
2.0 TDI (CRMB)		Diesel	FWD	1968	110	150	11.12-10.20	*
2.0 TDI (CYKA)		Diesel	FWD	1968	110	150	11.12-10.20	*
2.0 TDI (DCYA)		Diesel	FWD	1968	110	150	11.12-10.20	*
2.0 TDI (DFFA)		Diesel	FWD	1968	110	150	11.12-10.20	*
2.0 TDI 4x4 (CKFC)		Diesel	4WD	1968	110	150	05.13-10.20	*
2.0 TDI 4x4 (CRMB)		Diesel	4WD	1968	110	150	05.13-10.20	*
2.0 TDI 4x4 (DCYA)		Diesel	4WD	1968	110	150	05.13-10.20	*
2.0 TDI 4x4 (DFFA)		Diesel	4WD	1968	110	150	05.13-10.20	*
2.0 TDI / TDI RS 4x4 (CUNA)		Diesel	4WD	1968	135	184	05.13-10.20	*
2.0 TDI / TDI RS 4x4 (CUPA)		Diesel	4WD	1968	135	184	05.13-10.20	*
2.0 TDI / TDI RS 4x4 (DJGA)		Diesel	4WD	1968	135	184	05.13-10.20	*
2.0 TDI RS (CUNA)		Diesel	FWD	1968	135	184	05.13-10.20	*
2.0 TDI RS (CUPA)		Diesel	FWD	1968	135	184	05.13-10.20	*
2.0 TDI RS (DJGA)		Diesel	FWD	1968	135	184	05.13-10.20	*
<b>OCTAVIA III Combi (5E5, 5E6) 11.12-</b>							<b>[CAMBIADO]:Break (Compact car-C Segment)</b>	
1.0 TSI (CHZD)		Gasolina	FWD	999	85	115	05.16-10.20	*
1.0 TSI (DKRA)		Gasolina	FWD	999	85	115	05.16-10.20	*
1.0 TSI (DKRF)		Gasolina	FWD	999	85	115	05.16-10.20	*
1.2 TSI (CJZB)		Gasolina	FWD	1197	63	86	11.12-02.17	*
1.2 TSI (CYVA)		Gasolina	FWD	1197	63	86	11.12-02.17	*
1.2 TSI (CJZA)		Gasolina	FWD	1197	77	105	11.12-02.17	*
1.2 TSI (CYVB)		Gasolina	FWD	1197	81	110	05.15-02.17	*
1.4 TSI (CHPA)		Gasolina	FWD	1395	103	140	11.12-02.17	*
1.4 TSI (CHPB)		Gasolina	FWD	1395	110	150	08.14-10.20	*
1.4 TSI (CZDA)		Gasolina	FWD	1395	110	150	08.14-10.20	*
1.5 TSI (DADA)		Gasolina	FWD	1498	110	150	02.17-10.20	*
1.5 TSI (DPCA)		Gasolina	FWD	1498	110	150	02.17-10.20	*
1.6 SRE (CWVA)		Gasolina	FWD	1598	81	110	01.14-02.17	*
1.8 TSI (CJSA)		Gasolina	FWD	1798	132	180	11.12-10.20	*
1.8 TSI (CJSB)		Gasolina	FWD	1798	132	180	11.12-10.20	*
1.8 TSI 4x4 (CJSB)		Gasolina	4WD	1798	132	180	11.12-02.17	*
2.0 TSI (DKZA)		Gasolina	FWD	1984	140	190	02.17-10.20	*
2.0 TSI 4x4 (DKZA)		Gasolina	4WD	1984	140	190	02.19-10.20	*
2.0 TSI RS (CHHB)		Gasolina	FWD	1984	162	220	11.12-02.17	*

# LISTA DE APLICACIONES - BUYERS GUIDE

2.0 TSI RS (CHHA)		Gasolina	FWD	1984	169	230	05.15-10.20	*	
1.4 TSI G-TEC (CPWA)		Gasol./Gas (CNG)	FWD	1395	81	110	11.12-02.17	*	
1.5 TSI G-TEC (DHFA)		Gasol./Gas (CNG)	FWD	1498	96	130	01.19-10.20	*	
1.6 TDI (CLHB)		Diesel	FWD	1598	66	90	11.12-10.20	*	
1.6 TDI (CRKA)		Diesel	FWD	1598	66	90	11.12-10.20	*	
1.6 TDI (CXXA)		Diesel	FWD	1598	66	90	11.12-10.20	*	
1.6 TDI (DDYB)		Diesel	FWD	1598	66	90	11.12-10.20	*	
1.6 TDI (CLHA)		Diesel	FWD	1598	77	105	11.12-05.15	*	
1.6 TDI 4x4 (CLHA)		Diesel	4WD	1598	77	105	11.12-05.15	*	
1.6 TDI (CRKB)		Diesel	FWD	1598	81	110	05.13-02.17	*	
1.6 TDI (CXXB)		Diesel	FWD	1598	81	110	05.13-02.17	*	
1.6 TDI (DBKA)		Diesel	FWD	1598	81	110	05.13-02.17	*	
1.6 TDI 4x4 (CRKB)		Diesel	4WD	1598	81	110	05.15-02.17	*	
1.6 TDI 4x4 (CXXB)		Diesel	4WD	1598	81	110	05.15-02.17	*	
1.6 TDI 4x4 (DBKA)		Diesel	4WD	1598	81	110	05.15-02.17	*	
1.6 TDI (DDYA)		Diesel	FWD	1598	85	115	02.17-10.20	*	
1.6 TDI (DGTA)		Diesel	FWD	1598	85	115	02.17-10.20	*	
1.6 TDI (DGTE)		Diesel	FWD	1598	85	115	02.17-10.20	*	
1.6 TDI 4x4 (DGTE)		Diesel	4WD	1598	85	115	02.17-10.20	*	
2.0 TDI (CKFB)		Diesel	FWD	1968	105	143	11.12-02.17	*	
2.0 TDI (CRVC)		Diesel	FWD	1968	105	143	11.12-02.17	*	
2.0 TDI (CKFC)		Diesel	FWD	1968	110	150	11.12-10.20	*	
2.0 TDI (CRMB)		Diesel	FWD	1968	110	150	11.12-10.20	*	
2.0 TDI (CYKA)		Diesel	FWD	1968	110	150	11.12-10.20	*	
2.0 TDI (DCYA)		Diesel	FWD	1968	110	150	11.12-10.20	*	
2.0 TDI (DFFA)		Diesel	FWD	1968	110	150	11.12-10.20	*	
2.0 TDI 4x4 (CKFC)		Diesel	4WD	1968	110	150	11.12-10.20	*	
2.0 TDI 4x4 (CRMB)		Diesel	4WD	1968	110	150	11.12-10.20	*	
2.0 TDI 4x4 (DCYA)		Diesel	4WD	1968	110	150	11.12-10.20	*	
2.0 TDI 4x4 (DFFA)		Diesel	4WD	1968	110	150	11.12-10.20	*	
2.0 TDI / TDI RS 4x4 (CUNA)		Diesel	4WD	1968	135	184	05.13-10.20	*	
2.0 TDI / TDI RS 4x4 (CUPA)		Diesel	4WD	1968	135	184	05.13-10.20	*	
2.0 TDI / TDI RS 4x4 (DJGA)		Diesel	4WD	1968	135	184	05.13-10.20	*	
2.0 TDI RS (CUNA)		Diesel	FWD	1968	135	184	05.13-10.20	*	
2.0 TDI RS (CUPA)		Diesel	FWD	1968	135	184	05.13-10.20	*	
2.0 TDI RS (DJGA)		Diesel	FWD	1968	135	184	05.13-10.20	*	
<b>SUPERB III (3V5) 03.15-</b>							<b>[CAMBIADO]:Break (Executive car-E Segment)</b>		
1.4 TSI (CZCA)		Gasolina	FWD	1395	92	125	03.15-06.24	*	
1.4 TSI (CZDA)		Gasolina	FWD	1395	110	150	03.15-06.24	*	
1.4 TSI (CZEA)		Gasolina	FWD	1395	110	150	03.15-06.24	*	
1.4 TSI 4x4 (CZEA)		Gasolina	4WD	1395	110	150	03.15-06.24	*	
1.5 TSI (DADA)		Gasolina	FWD	1498	110	150	03.15-06.24	*	
1.5 TSI (DPCA)		Gasolina	FWD	1498	110	150	03.15-06.24	*	
1.8 TSI (CJSA)		Gasolina	FWD	1798	132	180	03.15-06.24	*	
1.8 TSI (CJSC)		Gasolina	FWD	1798	132	180	03.15-06.24	*	
2.0 TSI (CZPB)		Gasolina	FWD	1984	140	190	07.19-06.24	*	
2.0 TSI (DKZA)		Gasolina	FWD	1984	140	190	07.19-06.24	*	
2.0 TSI (DNNA)		Gasolina	FWD	1984	140	190	07.19-06.24	*	
2.0 TSI (CHHB)		Gasolina	FWD	1984	162	220	03.15-06.24	*	

# LISTA DE APLICACIONES - BUYERS GUIDE

2.0 TSI 4x4 (CJXA)		Gasolina	4WD	1984	206	280	03.15-06.24	*	
2.0 TSI 4x4 (DNFE)		Gasolina	4WD	1984	206	280	03.15-06.24	*	
1.4 TSI iV (DGEB)		Gasol./el éc.	FWD	1395	115	156	08.19-	*	
1.4 TSI iV		Gasol./el éc.	FWD	1395	160	218	08.19-06.24	*	
1.6 TDI (DCXA)		Diesel	FWD	1598	88	120	03.15-06.24	*	
1.6 TDI (DCZA)		Diesel	FWD	1598	88	120	03.15-06.24	*	
2.0 TDI		Diesel	FWD	1968	90	122	07.20-06.24	*	
2.0 TDI (CRLB)		Diesel	FWD	1968	110	150	03.15-06.24	*	
2.0 TDI (DFEA)		Diesel	FWD	1968	110	150	03.15-06.24	*	
2.0 TDI (DFGA)		Diesel	FWD	1968	110	150	03.15-06.24	*	
2.0 TDI (DSRA)		Diesel	FWD	1968	110	150	03.15-06.24	*	
2.0 TDI (DSRB)		Diesel	FWD	1968	110	150	03.15-06.24	*	
2.0 TDI		Diesel	FWD	1968	110	150	03.15-	*	
2.0 TDI 4x4 (CRLB)		Diesel	4WD	1968	110	150	03.15-06.24	*	
2.0 TDI 4x4 (DFEA)		Diesel	4WD	1968	110	150	03.15-06.24	*	
2.0 TDI 4x4 (DFGA)		Diesel	4WD	1968	110	150	03.15-06.24	*	
2.0 TDI (DDAA)		Diesel	FWD	1968	140	190	03.15-06.24	*	
2.0 TDI (DFCA)		Diesel	FWD	1968	140	190	03.15-06.24	*	
2.0 TDI (DFHA)		Diesel	FWD	1968	140	190	03.15-06.24	*	
2.0 TDI 4x4 (DDAA)		Diesel	4WD	1968	140	190	03.15-06.24	*	
2.0 TDI 4x4 (DFCA)		Diesel	4WD	1968	140	190	03.15-06.24	*	
2.0 TDI 4x4 (DFHA)		Diesel	4WD	1968	140	190	03.15-06.24	*	
2.0 TDI (DTUA)		Diesel	FWD	1968	147	200	09.20-06.24	*	
2.0 TDI 4x4 (DTUA)		Diesel	4WD	1968	147	200	09.20-06.24	*	
<b>SUPERB III (3V3) 03.15-</b>					<b>[CAMBIADO]:Fastback (Executive car-E Segment)</b>				
1.4 TSI (CZCA)		Gasolina	FWD	1395	92	125	03.15-06.24	*	
1.4 TSI (CZDA)		Gasolina	FWD	1395	110	150	03.15-06.24	*	
1.4 TSI (CZEA)		Gasolina	FWD	1395	110	150	03.15-06.24	*	
1.4 TSI 4x4 (CZEA)		Gasolina	4WD	1395	110	150	03.15-06.24	*	
1.5 TSI (DADA)		Gasolina	FWD	1498	110	150	02.17-06.24	*	
1.5 TSI (DPCA)		Gasolina	FWD	1498	110	150	02.17-06.24	*	
1.8 TSI (CJSA)		Gasolina	FWD	1798	132	180	03.15-06.24	*	
1.8 TSI (CJSC)		Gasolina	FWD	1798	132	180	03.15-06.24	*	
2.0 TSI (CZPB)		Gasolina	FWD	1984	140	190	07.19-06.24	*	
2.0 TSI (DKZA)		Gasolina	FWD	1984	140	190	07.19-06.24	*	
2.0 TSI (DNNA)		Gasolina	FWD	1984	140	190	07.19-06.24	*	
2.0 TFSI (CHHB)		Gasolina	FWD	1984	162	220	03.15-06.24	*	
2.0 TFSI 4x4 (CJXA)		Gasolina	4WD	1984	206	280	03.15-06.24	*	
2.0 TFSI 4x4 (DNFE)		Gasolina	4WD	1984	206	280	03.15-06.24	*	
1.4 TSI iV (DGEB)		Gasol./el éc.	FWD	1395	115	156	08.19-	*	
1.4 TSI iV		Gasol./el éc.	FWD	1395	160	218	08.19-06.24	*	
1.6 TDI (DCXA)		Diesel	FWD	1598	88	120	03.15-06.24	*	
1.6 TDI (DCZA)		Diesel	FWD	1598	88	120	03.15-06.24	*	
2.0 TDI		Diesel	FWD	1968	90	122	07.20-06.24	*	
2.0 TDI (CRLB)		Diesel	FWD	1968	110	150	03.15-06.24	*	
2.0 TDI (DFEA)		Diesel	FWD	1968	110	150	03.15-06.24	*	
2.0 TDI (DFGA)		Diesel	FWD	1968	110	150	03.15-06.24	*	
2.0 TDI (DSRA)		Diesel	FWD	1968	110	150	03.15-06.24	*	
2.0 TDI (DSRB)		Diesel	FWD	1968	110	150	03.15-06.24	*	

# LISTA DE APLICACIONES - BUYERS GUIDE

2.0 TDI		Diesel	FWD	1968	110	150	10.20-	*
2.0 TDI 4x4 (CRLB)		Diesel	4WD	1968	110	150	03.15-06.24	*
2.0 TDI 4x4 (DFEA)		Diesel	4WD	1968	110	150	03.15-06.24	*
2.0 TDI 4x4 (DFGA)		Diesel	4WD	1968	110	150	03.15-06.24	*
2.0 TDI (DDAA)		Diesel	FWD	1968	140	190	03.15-06.24	*
2.0 TDI (DFCA)		Diesel	FWD	1968	140	190	03.15-06.24	*
2.0 TDI (DFHA)		Diesel	FWD	1968	140	190	03.15-06.24	*
2.0 TDI 4x4 (DDAA)		Diesel	4WD	1968	140	190	03.15-06.24	*
2.0 TDI 4x4 (DFCA)		Diesel	4WD	1968	140	190	03.15-06.24	*
2.0 TDI 4x4 (DFHA)		Diesel	4WD	1968	140	190	03.15-06.24	*
2.0 TDI (DTUA)		Diesel	FWD	1968	147	200	09.20-06.24	*
2.0 TDI 4x4 (DTUA)		Diesel	4WD	1968	147	200	09.20-06.24	*
<b>SKODA (SVW)</b>								
<b>OCTAVIA PRO (0Q3) 05.21-</b>					<b>[CAMBIADO]:Fastback (Compact car-C Segment)</b>			
1.4 (DJSA)		Gasolina	FWD	1395	110	150	05.21-	*
<b>VW</b>								
<b>ARTEON (3H7, 3H8) 03.17-</b>					<b>[CAMBIADO]:Fastback (Large family car-D Segment)</b>			
1.5 TSI (DADA)		Gasolina	FWD	1498	110	150	11.17-	*
1.5 TSI (DPCA)		Gasolina	FWD	1498	110	150	11.17-	*
2.0 TSI (CZPB)		Gasolina	FWD	1984	140	190	05.17-06.21	*
2.0 TSI (DKZA)		Gasolina	FWD	1984	140	190	05.17-06.21	*
2.0 TSI 4motion (DLRB)		Gasolina	4WD	1984	200	272	04.18-	*
2.0 TSI 4motion (DNUA)		Gasolina	4WD	1984	200	272	04.18-	*
2.0 TSI 4motion (DJHC)		Gasolina	4WD	1984	206	280	04.17-	*
1.4 eHybrid		Gasol./el éc.	FWD	1395	160	218	11.20-	*
2.0 TDI (DBGA)		Diesel	FWD	1968	110	150	03.17-	*
2.0 TDI (DFGA)		Diesel	FWD	1968	110	150	03.17-	*
2.0 TDI (DSRA)		Diesel	FWD	1968	110	150	03.17-	*
2.0 TDI (DSRB)		Diesel	FWD	1968	110	150	03.17-	*
2.0 TDI (DTSA)		Diesel	FWD	1968	110	150	03.17-	*
2.0 TDI (DTSB)		Diesel	FWD	1968	110	150	03.17-	*
2.0 TDI		Diesel	FWD	1968	130	177	11.17-	*
2.0 TDI (DFHA)		Diesel	FWD	1968	140	190	05.17-	*
2.0 TDI 4motion (DFHA)		Diesel	4WD	1968	140	190	05.17-	*
2.0 TDI		Diesel	FWD	1968	147	200	09.20-	*
2.0 TDI 4motion		Diesel	4WD	1968	147	200	09.20-	*
2.0 TDI 4motion (CUAA)		Diesel	4WD	1968	176	240	03.17-07.20	*
<b>ARTEON SHOOTING BRAKE (3H9) 06.20-</b>					<b>[CAMBIADO]:Break (Large family car-D Segment)</b>			
1.5 TSI (DADA)		Gasolina	FWD	1498	110	150	08.20-	*
1.5 TSI (DPCA)		Gasolina	FWD	1498	110	150	08.20-	*
2.0 TSI		Gasolina	FWD	1984	140	190	09.20-06.21	*
2.0 TSI 4motion		Gasolina	4WD	1984	140	190	06.20-	*
2.0 TSI 4motion (DLRB)		Gasolina	4WD	1984	200	272	06.20-	*
2.0 TSI 4motion		Gasolina	4WD	1984	206	280	06.20-	*
2.0 TSi R 4motion		Gasolina	4WD	1984	235	320	11.20-	*
1.4 eHybrid		Gasol./el éc.	FWD	1395	160	218	11.20-	*
2.0 TDI (DSRA)		Diesel	FWD	1968	110	150	09.20-	*
2.0 TDI (DSRB)		Diesel	FWD	1968	110	150	09.20-	*
2.0 TDI (DTSB)		Diesel	FWD	1968	110	150	09.20-	*

# LISTA DE APLICACIONES - BUYERS GUIDE

2.0 TDI (DFHA)		Diesel	FWD	1968	140	190	09.20-	*
2.0 TDI 4motion (DFHA)		Diesel	4WD	1968	140	190	09.20-	*
2.0 TDI 4motion		Diesel	4WD	1968	142	193	02.24-	*
2.0 TDI		Diesel	FWD	1968	147	200	09.20-	*
2.0 TDI 4motion (DTUA)		Diesel	4WD	1968	147	200	09.20-	*
<b>BEETLE (5C7, 5C8) 12.11-</b>					<b>Cabrio (Compact car-C Segment)</b>			
2.0 TSI (CPLA)		Gasolina	FWD	1984	155	210	12.12-07.19	*
2.0 TSI (CPPA)		Gasolina	FWD	1984	155	210	12.12-07.19	*
<b>CADDY III ALLTRACK (SAA) 05.15-</b>					<b>Furgoneta/MPV (LCVs-N1 Segment)</b>			
2.0 TDI		Diesel	FWD	1968	81	110	09.15-09.20	*
<b>CADDY III ALLTRACK (SAB) 05.15-</b>					<b>MPV (Mini MPV-M1 Segment)</b>			
1.6 SRE		Gasolina	FWD	1598	81	110	11.15-09.20	*
<b>CADDY IV (SBA, SBH) 09.20-</b>					<b>Furgoneta/MPV (LCVs-N1 Segment)</b>			
1.5 TSi EVO		Gasolina	FWD	1498	85	116	03.24-	*
1.5 TGI CNG		Gasol./Gas (CNG)	FWD	1498	96	131	06.22-04.24	*
1.5 TSi eHYBRID PLUG-IN		Gasol./eléc.	FWD	1498	110	150	08.24-	*
2.0 TDI (DTRF)		Diesel	FWD	1968	55	75	09.20-	*
2.0 TDI (DTRE)		Diesel	FWD	1968	75	102	09.20-	*
2.0 TDI (CRVD)		Diesel	FWD	1968	81	110	04.21-	*
2.0 TDI (DTRC)		Diesel	FWD	1968	90	122	09.20-	*
<b>CADDY IV (SBB, SBJ) 09.20-</b>					<b>MPV (Mini MPV-M1 Segment)</b>			
1.5 TSi EVO		Gasolina	FWD	1498	85	116	03.24-	*
1.5 TGI CNG		Gasol./Gas (CNG)	FWD	1498	96	131	06.22-04.24	*
1.5 TSi eHYBRID PLUG-IN		Gasol./eléc.	FWD	1498	110	150	08.24-	*
2.0 TDI (DTRE)		Diesel	FWD	1968	75	102	09.20-	*
2.0 TDI (CRVD)		Diesel	FWD	1968	81	110	04.21-	*
2.0 TDI (DTRC)		Diesel	FWD	1968	90	122	09.20-	*
<b>CADDY CALIFORNIA V (SBB, SBJ) 09.20-</b>					<b>MPV (Mini MPV-M1 Segment)</b>			
1.5 TSi EVO		Gasolina	FWD	1498	85	116	03.24-	*
<b>GOLF VI / JETTA VI (517) 03.11-</b>					<b>Cabrio (Compact car-C Segment)</b>			
1.2 TSI 16V (CJZA)		Gasolina	FWD	1197	77	105	11.13-05.16	*
1.2 TSI 16V (CYVD)		Gasolina	FWD	1197	77	105	11.13-05.16	*
<b>GOLF VII / JETTA VII (5G1, BQ1, BE1, BE2) 08.12-</b>					<b>[CAMBIADO]:Fastback (Compact car-C Segment)</b>			
1.0 TSI (CHZK)		Gasolina	FWD	999	63	86	01.17-07.19	*
1.0 TSI (DKLB)		Gasolina	FWD	999	63	86	01.17-07.19	*
1.0 TSI (CHZC)		Gasolina	FWD	999	81	110	11.16-08.20	*
1.0 TSI (CHZD)		Gasolina	FWD	999	85	115	05.15-08.20	*
1.0 TSI (DKRF)		Gasolina	FWD	999	85	115	05.15-08.20	*
1.2 TSI (CJZB)		Gasolina	FWD	1197	63	86	08.12-03.17	*
1.2 TSI (CYVA)		Gasolina	FWD	1197	63	86	08.12-03.17	*
1.2 TSI (CJZA)		Gasolina	FWD	1197	77	105	11.12-08.20	*
1.2 TSI (CYVB)		Gasolina	FWD	1197	81	110	04.14-03.17	*
1.4 TSI (CMBA)		Gasolina	FWD	1395	90	122	11.12-03.17	*
1.4 TSI (CXSA)		Gasolina	FWD	1395	90	122	11.12-03.17	*
1.4 TSI (CZCA)		Gasolina	FWD	1395	92	125	05.14-08.20	*

# LISTA DE APLICACIONES - BUYERS GUIDE

1.4 TSI (CHPA)		Gasolina	FWD	1395	103	140	08.12-08.20	*
1.4 TSI (CPTA)		Gasolina	FWD	1395	103	140	08.12-08.20	*
1.4 TSI (CHPB)		Gasolina	FWD	1395	110	150	05.14-03.21	*
1.4 TSI (CZDA)		Gasolina	FWD	1395	110	150	05.14-03.21	*
1.4 TSI (CZEA)		Gasolina	FWD	1395	110	150	05.14-03.21	*
1.4 TSI (DGXA)		Gasolina	FWD	1395	110	150	05.14-03.21	*
1.5 TSI (DACA)		Gasolina	FWD	1495	96	130	05.17-08.20	*
1.5 TSI (DADA)		Gasolina	FWD	1498	110	150	04.17-08.20	*
1.5 TSI (DPCA)		Gasolina	FWD	1498	110	150	04.17-08.20	*
1.6 (CWVA)		Gasolina	FWD	1598	81	110	05.14-07.17	*
2.0 GTI (CNTA)		Gasolina	FWD	1984	155	210	11.13-07.17	*
2.0 GTI (CXCA)		Gasolina	FWD	1984	155	210	11.13-07.17	*
2.0 GTI (CHHB)		Gasolina	FWD	1984	162	220	04.13-08.20	*
2.0 GTI (CNTC)		Gasolina	FWD	1984	162	220	04.13-08.20	*
2.0 GTI (CXCB)		Gasolina	FWD	1984	162	220	04.13-08.20	*
2.0 GTI (CXDA)		Gasolina	FWD	1984	162	220	04.13-08.20	*
2.0 GTI (CHHA)		Gasolina	FWD	1984	169	230	04.13-08.20	*
2.0 GTI (CXDB)		Gasolina	FWD	1984	169	230	04.13-08.20	*
2.0 GTI (DKTB)		Gasolina	FWD	1984	180	245	03.17-08.20	*
2.0 GTI (DLBA)		Gasolina	FWD	1984	180	245	03.17-08.20	*
2.0 GTI Clubsport (CJXE)		Gasolina	FWD	1984	195	265	02.16-03.17	*
2.0 R 4motion (CJXB)		Gasolina	4WD	1984	206	280	11.13-03.17	*
2.0 R		Gasolina	FWD	1984	213	290	11.13-	*
2.0 R 4motion (CJXD)		Gasolina	4WD	1984	213	290	12.16-08.20	*
2.0 R 4motion (DJHB)		Gasolina	4WD	1984	213	290	12.16-08.20	*
2.0 R 4motion (DNUC)		Gasolina	4WD	1984	213	290	12.16-08.20	*
2.0 R 4motion (CYFB)		Gasolina	4WD	1984	215	292	11.14-07.19	*
2.0 R 4motion (DJJA)		Gasolina	4WD	1984	215	292	11.14-07.19	*
2.0 R 4motion (DLRA)		Gasolina	4WD	1984	215	292	11.14-07.19	*
2.0 R 4motion (CJXC)		Gasolina	4WD	1984	221	300	11.13-08.20	*
2.0 R 4motion (DNUE)		Gasolina	4WD	1984	221	300	11.13-08.20	*
2.0 GTI Clubsport S (CJXG)		Gasolina	FWD	1984	228	310	09.16-03.17	*
2.0 R 4motion (CJXG)		Gasolina	4WD	1984	228	310	12.16-08.20	*
2.0 R 4motion (DJHA)		Gasolina	4WD	1984	228	310	12.16-08.20	*
2.0 R 360S 4motion (CJXC)		Gasolina	4WD	1984	265	360	09.16-03.17	*
1.4 TGI CNG (CPWA)		Gasol./Gas (CNG)	FWD	1395	81	110	06.13-07.18	*
1.4 TGI CNG (CZBA)		Gasol./Gas (CNG)	FWD	1395	81	110	06.13-07.18	*
1.5 TGI (DHFA)		Gasol./Gas (CNG)	FWD	1498	96	130	11.18-08.20	*
1.4 TSI MultiFuel (CPVA)		Gasol./Etanol	FWD	1395	90	122	11.12-03.17	*
1.4 TSI MultiFuel (CPVB)		Gasol./Etanol	FWD	1395	92	125	12.13-07.18	*
1.4 GTE Hybrid		Gasol./eléc.	FWD	1395	110	150	07.19-08.20	*
1.4 GTE Hybrid (CUKB)		Gasol./eléc.	FWD	1395	150	204	05.14-08.20	*
e-Golf (EAGA)		Eléctrico	FWD		85	115	03.14-02.17	*
e-Golf (EAZA)		Eléctrico	FWD		100	136	12.16-01.21	*
e-Golf (EBSA)		Eléctrico	FWD		100	136	12.16-01.21	*
1.6 TDI (CLHB)		Diesel	FWD	1598	66	90	04.13-07.18	*

# LISTA DE APLICACIONES - BUYERS GUIDE

1.6 TDI (CRKA)		Diesel	FWD	1598	66	90	04.13-07.18	*
1.6 TDI (CXXA)		Diesel	FWD	1598	66	90	04.13-07.18	*
1.6 TDI (DDYB)		Diesel	FWD	1598	66	90	04.13-07.18	*
1.6 TDI (CLHA)		Diesel	FWD	1598	77	105	08.12-03.17	*
1.6 TDI 4motion (CLHA)		Diesel	4WD	1598	77	105	11.12-03.17	*
1.6 TDI (CRKB)		Diesel	FWD	1598	81	110	01.13-03.17	*
1.6 TDI (CXXB)		Diesel	FWD	1598	81	110	01.13-03.17	*
1.6 TDI (DBKA)		Diesel	FWD	1598	81	110	01.13-03.17	*
1.6 TDI 4motion (CRKB)		Diesel	4WD	1598	81	110	01.13-03.17	*
1.6 TDI 4motion (CXXB)		Diesel	4WD	1598	81	110	01.13-03.17	*
1.6 TDI (DDYA)		Diesel	FWD	1598	85	115	11.16-08.20	*
1.6 TDI (DGTE)		Diesel	FWD	1598	85	115	11.16-08.20	*
2.0 TDI (CRLD)		Diesel	FWD	1968	81	110	11.12-08.20	*
2.0 TDI (CRVA)		Diesel	FWD	1968	81	110	11.12-08.20	*
2.0 TDI (CYKB)		Diesel	FWD	1968	81	110	11.12-08.20	*
2.0 TDI (DCYB)		Diesel	FWD	1968	81	110	11.12-08.20	*
2.0 TDI (DEJB)		Diesel	FWD	1968	81	110	11.12-08.20	*
2.0 TDI (DFGB)		Diesel	FWD	1968	81	110	11.12-08.20	*
2.0 TDI (CRBB)		Diesel	FWD	1968	105	143	08.12-08.20	*
2.0 TDI (CRVC)		Diesel	FWD	1968	105	143	08.12-08.20	*
2.0 TDI (CRBC)		Diesel	FWD	1968	110	150	08.12-08.20	*
2.0 TDI (CRLB)		Diesel	FWD	1968	110	150	08.12-08.20	*
2.0 TDI (CRMB)		Diesel	FWD	1968	110	150	08.12-08.20	*
2.0 TDI (CRUA)		Diesel	FWD	1968	110	150	08.12-08.20	*
2.0 TDI (DCYA)		Diesel	FWD	1968	110	150	08.12-08.20	*
2.0 TDI (DEJA)		Diesel	FWD	1968	110	150	08.12-08.20	*
2.0 TDI (DFGA)		Diesel	FWD	1968	110	150	08.12-08.20	*
2.0 TDI 4motion (CKFC)		Diesel	4WD	1968	110	150	11.12-08.20	*
2.0 TDI 4motion (CRBC)		Diesel	4WD	1968	110	150	11.12-08.20	*
2.0 TDI 4motion (CRLB)		Diesel	4WD	1968	110	150	11.12-08.20	*
2.0 TDI 4motion (CRMB)		Diesel	4WD	1968	110	150	11.12-08.20	*
2.0 TDI 4motion (DCYA)		Diesel	4WD	1968	110	150	11.12-08.20	*
2.0 GTD		Diesel	FWD	1968	130	177	11.16-	*
2.0 GTD (CUNA)		Diesel	FWD	1968	135	184	04.13-08.20	*
2.0 GTD (DGCA)		Diesel	FWD	1968	135	184	04.13-08.20	*
2.0 GTD (DJGA)		Diesel	FWD	1968	135	184	04.13-08.20	*
<b>GOLF VII / JETTA VII (5G1, BQ1) 08.12-</b>					<b>Furgón/hatchback (Compact car-C Segment)</b>			
1.2 TSI (CJZB)		Gasolina	FWD	1197	63	86	08.12-03.17	*
1.2 TSI (CJZA)		Gasolina	FWD	1197	77	105	11.12-03.17	*
1.4 TSI (CXSA)		Gasolina	FWD	1395	90	122	05.13-03.17	*
1.4 TSI (CHPA)		Gasolina	FWD	1395	103	140	08.12-03.17	*
2.0 GTI (CHHB)		Gasolina	FWD	1984	162	220	04.13-03.17	*
2.0 GTI (CHHA)		Gasolina	FWD	1984	169	230	04.15-03.17	*
1.6 TDI (CRKA)		Diesel	FWD	1598	66	90	04.13-03.17	*
1.6 TDI (CLHA)		Diesel	FWD	1598	77	105	08.12-03.17	*
1.6 TDI (CRKB)		Diesel	FWD	1598	81	110	11.13-03.17	*
1.6 TDI (CXXB)		Diesel	FWD	1598	81	110	11.13-03.17	*
2.0 TDI		Diesel	FWD	1968	110	150	05.13-05.14	*
2.0 TDI 4motion (CRBC)		Diesel	4WD	1968	110	150	05.13-05.14	*
2.0 GTD (CUNA)		Diesel	FWD	1968	135	184	04.13-03.17	*

# LISTA DE APLICACIONES - BUYERS GUIDE

					<b>[CAMBIADO]:Break (Compact car-C Segment)</b>				
<b>GOLF VII ALLTRACK Variant (BA5, BV5) 12.14-</b>									
1.8 TSI 4motion (CJSB)		Gasolina	4WD	1798	132	180	12.14-08.20	*	
1.6 TDI 4motion (CRKB)		Diesel	4WD	1598	81	110	12.14-03.17	*	
1.6 TDI 4motion (CXXB)		Diesel	4WD	1598	81	110	12.14-03.17	*	
2.0 TDI 4motion (CRBC)		Diesel	4WD	1968	110	150	12.14-08.20	*	
2.0 TDI 4motion (CRLB)		Diesel	4WD	1968	110	150	12.14-08.20	*	
2.0 TDI 4motion (DCYA)		Diesel	4WD	1968	110	150	12.14-08.20	*	
2.0 TDI 4motion (CUNA)		Diesel	4WD	1968	135	184	12.14-08.20	*	
2.0 TDI 4motion (DGCA)		Diesel	4WD	1968	135	184	12.14-08.20	*	
2.0 TDI 4motion (DJGA)		Diesel	4WD	1968	135	184	12.14-08.20	*	
<b>GOLF VII SPORTSVAN (AM1, AN1) 02.14-</b>					<b>[CAMBIADO]:Fastback (Compact car-C Segment)</b>				
1.0 TSI (CHZK)		Gasolina	FWD	999	63	86	05.17-07.19	*	
1.0 TSI (DKLB)		Gasolina	FWD	999	63	86	05.17-07.19	*	
1.0 TSI (CHZC)		Gasolina	FWD	999	81	110	05.17-07.18	*	
1.0 TSI (CHZD)		Gasolina	FWD	999	85	115	05.15-08.20	*	
1.0 TSI (DKRF)		Gasolina	FWD	999	85	115	05.15-08.20	*	
1.2 TSI (CYVA)		Gasolina	FWD	1197	63	86	05.14-11.17	*	
1.2 TSI (CYVB)		Gasolina	FWD	1197	81	110	04.14-11.17	*	
1.4 TSI (CZCA)		Gasolina	FWD	1395	92	125	04.14-08.20	*	
1.4 TSI (CZDA)		Gasolina	FWD	1395	110	150	02.14-07.18	*	
1.5 TSI (DACA)		Gasolina	FWD	1495	96	130	05.17-08.20	*	
1.5 TSI (DADA)		Gasolina	FWD	1498	110	150	05.17-08.20	*	
1.5 TSI (DPCA)		Gasolina	FWD	1498	110	150	05.17-08.20	*	
1.6 (CWVA)		Gasolina	FWD	1598	81	110	05.14-11.16	*	
1.4 TSI MultiFuel (CPVB)		Gasol./Etanol	FWD	1395	92	125	04.14-11.17	*	
1.6 TDI (CRKA)		Diesel	FWD	1598	66	90	02.14-07.18	*	
1.6 TDI (CXXA)		Diesel	FWD	1598	66	90	02.14-07.18	*	
1.6 TDI (DDYB)		Diesel	FWD	1598	66	90	02.14-07.18	*	
1.6 TDI (CRKB)		Diesel	FWD	1598	81	110	02.14-11.16	*	
1.6 TDI (CXXB)		Diesel	FWD	1598	81	110	02.14-11.16	*	
1.6 TDI (DBKA)		Diesel	FWD	1598	81	110	02.14-11.16	*	
1.6 TDI (DDYA)		Diesel	FWD	1598	85	115	11.16-08.20	*	
1.6 TDI (DGTE)		Diesel	FWD	1598	85	115	11.16-08.20	*	
2.0 TDI (CRLD)		Diesel	FWD	1968	81	110	05.14-11.17	*	
2.0 TDI (CRVA)		Diesel	FWD	1968	81	110	05.14-11.17	*	
2.0 TDI (DCYB)		Diesel	FWD	1968	81	110	05.14-11.17	*	
2.0 TDI (CRLB)		Diesel	FWD	1968	110	150	02.14-08.20	*	
2.0 TDI (DCYA)		Diesel	FWD	1968	110	150	02.14-08.20	*	
2.0 TDI (DFGA)		Diesel	FWD	1968	110	150	02.14-08.20	*	
<b>GOLF VII VAN Variant / JETTA VII (BA5) 04.13-03.17</b>					<b>[CAMBIADO]:Furgón/Break (Compact car-C Segment)</b>				
1.2 TSI (CJZB)		Gasolina	FWD	1197	63	86	05.13-03.17	*	
1.2 TSI (CYVA)		Gasolina	FWD	1197	63	86	05.13-03.17	*	
1.2 TSI (CJZA)		Gasolina	FWD	1197	77	105	04.13-03.17	*	
1.4 TSI (CXSA)		Gasolina	FWD	1395	90	122	05.13-03.17	*	
1.4 TSI (CHPA)		Gasolina	FWD	1395	103	140	05.13-03.17	*	
1.6 TDI (CLHB)		Diesel	FWD	1598	66	90	05.13-03.17	*	
1.6 TDI (CRKA)		Diesel	FWD	1598	66	90	05.13-03.17	*	
1.6 TDI (CXXA)		Diesel	FWD	1598	66	90	05.13-03.17	*	
1.6 TDI (CLHA)		Diesel	FWD	1598	77	105	05.13-03.17	*	

# LISTA DE APLICACIONES - BUYERS GUIDE

1.6 TDI 4motion (CLHA)		Diesel	4WD	1598	77	105	05.13-03.17	*	
1.6 TDI (CRKB)		Diesel	FWD	1598	81	110	05.13-03.17	*	
2.0 TDI (CRBC)		Diesel	FWD	1968	110	150	04.13-03.17	*	
2.0 TDI (CRLB)		Diesel	FWD	1968	110	150	04.13-03.17	*	
2.0 TDI 4motion (CRBC)		Diesel	4WD	1968	110	150	04.13-03.17	*	
2.0 TDI 4motion (CRLB)		Diesel	4WD	1968	110	150	04.13-03.17	*	
<b>GOLF VII Variant / JETTA VII (BA5, BV5) 04.13-</b>							<b>[CAMBIADO]:Break (Compact car-C Segment)</b>		
1.0 TSI (CHZK)		Gasolina	FWD	999	63	86	01.17-07.19	*	
1.0 TSI (DKLB)		Gasolina	FWD	999	63	86	01.17-07.19	*	
1.0 TSI (CHZC)		Gasolina	FWD	999	81	110	11.16-08.20	*	
1.0 TSI (CHZD)		Gasolina	FWD	999	85	115	05.15-08.20	*	
1.0 TSI (DKRF)		Gasolina	FWD	999	85	115	05.15-08.20	*	
1.2 TSI (CJZB)		Gasolina	FWD	1197	63	86	05.13-03.17	*	
1.2 TSI (CYVA)		Gasolina	FWD	1197	63	86	05.13-03.17	*	
1.2 TSI (CJZA)		Gasolina	FWD	1197	77	105	04.13-08.20	*	
1.2 TSI MultiFuel		Gasolina	FWD	1197	77	105	04.13-	*	
1.2 TSI (CYVB)		Gasolina	FWD	1197	81	110	04.14-03.17	*	
1.4 TSI BiFuel		Gasolina	FWD	1395	81	110	09.13-	*	
1.4 TSI (CXSA)		Gasolina	FWD	1395	90	122	05.13-03.17	*	
1.4 TSI (CZCA)		Gasolina	FWD	1395	92	125	05.14-08.20	*	
1.4 TSI (CZDD)		Gasolina	FWD	1395	92	125	05.14-08.20	*	
1.4 TSI (CHPA)		Gasolina	FWD	1395	103	140	05.13-08.20	*	
1.4 TSI (CHPB)		Gasolina	FWD	1395	110	150	05.14-03.21	*	
1.4 TSI (CZDA)		Gasolina	FWD	1395	110	150	05.14-03.21	*	
1.4 TSI (DGXA)		Gasolina	FWD	1395	110	150	05.14-03.21	*	
1.5 TSI (DACA)		Gasolina	FWD	1495	96	130	07.17-08.20	*	
1.5 TSI (DPBA)		Gasolina	FWD	1495	96	130	07.17-08.20	*	
1.5 TSI (DADA)		Gasolina	FWD	1498	110	150	04.17-08.20	*	
1.5 TSI (DPCA)		Gasolina	FWD	1498	110	150	04.17-08.20	*	
1.6 (CWVA)		Gasolina	FWD	1598	81	110	05.14-07.17	*	
1.8 TSI 4motion (CJSB)		Gasolina	4WD	1798	132	179	11.16-08.20	*	
2.0 R 4motion (CJXB)		Gasolina	4WD	1984	206	280	03.15-03.17	*	
2.0 R 4motion (CJXD)		Gasolina	4WD	1984	213	290	12.16-08.20	*	
2.0 R 4motion (DJHB)		Gasolina	4WD	1984	213	290	12.16-08.20	*	
2.0 R 4motion (DNUC)		Gasolina	4WD	1984	213	290	12.16-08.20	*	
2.0 R 4motion (CJXC)		Gasolina	4WD	1984	221	300	03.15-08.20	*	
2.0 R 4motion (DNUE)		Gasolina	4WD	1984	221	300	03.15-08.20	*	
2.0 R 4motion (CJXG)		Gasolina	4WD	1984	228	310	12.16-08.20	*	
2.0 R 4motion (DJHA)		Gasolina	4WD	1984	228	310	12.16-08.20	*	
2.0 R 360S 4motion (CJXC)		Gasolina	4WD	1984	265	360	09.16-03.17	*	
1.4 TGI CNG (CPWA)		Gasol./Gas (CNG)	FWD	1395	81	110	09.13-07.18	*	
1.5 TGI (DHFA)		Gasol./Gas (CNG)	FWD	1498	96	131	12.18-08.20	*	
1.4 TSI MultiFuel (CPVA)		Gasol./Etanol	FWD	1395	90	122	04.13-03.17	*	
1.4 TSI MultiFuel (CPVB)		Gasol./Etanol	FWD	1395	92	125	05.14-03.17	*	
1.6 TDI (CLHB)		Diesel	FWD	1598	66	90	05.13-07.18	*	
1.6 TDI (CRKA)		Diesel	FWD	1598	66	90	05.13-07.18	*	
1.6 TDI (CXXA)		Diesel	FWD	1598	66	90	05.13-07.18	*	
1.6 TDI (DDYB)		Diesel	FWD	1598	66	90	05.13-07.18	*	

# LISTA DE APLICACIONES - BUYERS GUIDE

1.6 TDI (CLHA)		Diesel	FWD	1598	77	105	05.13-03.17	*
1.6 TDI 4motion (CLHA)		Diesel	4WD	1598	77	105	05.13-03.17	*
1.6 TDI (CRKB)		Diesel	FWD	1598	81	110	05.13-03.17	*
1.6 TDI (CXXB)		Diesel	FWD	1598	81	110	05.13-03.17	*
1.6 TDI (DBKA)		Diesel	FWD	1598	81	110	05.13-03.17	*
1.6 TDI 4motion (CRKB)		Diesel	4WD	1598	81	110	05.13-03.17	*
1.6 TDI 4motion (CXXB)		Diesel	4WD	1598	81	110	05.13-03.17	*
1.6 TDI (DDYA)		Diesel	FWD	1598	85	115	11.16-08.20	*
1.6 TDI (DGTE)		Diesel	FWD	1598	85	115	11.16-08.20	*
2.0 TDI (CRLD)		Diesel	FWD	1968	81	110	05.13-08.20	*
2.0 TDI (CRVA)		Diesel	FWD	1968	81	110	05.13-08.20	*
2.0 TDI (CYKB)		Diesel	FWD	1968	81	110	05.13-08.20	*
2.0 TDI (DCYB)		Diesel	FWD	1968	81	110	05.13-08.20	*
2.0 TDI (DEJB)		Diesel	FWD	1968	81	110	05.13-08.20	*
2.0 TDI (DFGB)		Diesel	FWD	1968	81	110	05.13-08.20	*
2.0 TDI (CRBC)		Diesel	FWD	1968	110	150	04.13-08.20	*
2.0 TDI (CRLB)		Diesel	FWD	1968	110	150	04.13-08.20	*
2.0 TDI (CRUA)		Diesel	FWD	1968	110	150	04.13-08.20	*
2.0 TDI (DCYA)		Diesel	FWD	1968	110	150	04.13-08.20	*
2.0 TDI (DEJA)		Diesel	FWD	1968	110	150	04.13-08.20	*
2.0 TDI (DFGA)		Diesel	FWD	1968	110	150	04.13-08.20	*
2.0 TDI 4motion (CRBC)		Diesel	4WD	1968	110	150	04.13-08.20	*
2.0 TDI 4motion (CRLB)		Diesel	4WD	1968	110	150	04.13-08.20	*
2.0 TDI 4motion (DCYA)		Diesel	4WD	1968	110	150	04.13-08.20	*
2.0 GTD		Diesel	FWD	1968	130	177	11.16-	*
2.0 GTD (CUNA)		Diesel	FWD	1968	135	184	01.15-07.19	*
2.0 GTD (DGCA)		Diesel	FWD	1968	135	184	01.15-07.19	*
2.0 GTD (DJGA)		Diesel	FWD	1968	135	184	01.15-07.19	*
<b>GOLF VIII ALLTRACK (CG5) 11.20-</b>						<b>[CAMBIADO]:Break (Compact car-C Segment)</b>		
2.0 TSI 4motion		Gasolina	4WD	1984	140	190	03.21-11.24	*
2.0 TDI 4motion		Diesel	4WD	1968	147	200	11.20-	*
<b>GOLF VIII (CD1, DA1) 07.19-</b>						<b>[CAMBIADO]:Fastback (Compact car-C Segment)</b>		
1.0 TSI (DLAB)		Gasolina	FWD	999	66	90	02.20-	*
1.0 TSI (DLAA)		Gasolina	FWD	999	81	110	02.20-	*
1.4 TSI (DJKA)		Gasolina	FWD	1395	110	150	01.21-	*
1.5 TSI (DPBA)		Gasolina	FWD	1495	96	131	07.19-	*
1.5 TSI		Gasolina	FWD	1498	85	116	03.24-	*
1.5 TSI (DPCA)		Gasolina	FWD	1498	110	150	07.19-	*
2.0 TSI		Gasolina	FWD	1984	140	190	06.21-11.24	*
2.0 TSI 4motion		Gasolina	4WD	1984	140	190	06.21-11.24	*
2.0 GTI (DNPA)		Gasolina	FWD	1984	180	245	08.20-	*
1.5 TGI		Gasol./Gas (CNG)	FWD	1498	96	131	09.20-	*
1.0 eTSI		Gasol./el éc.	FWD	999	81	110	06.20-	*
1.4 GTE Plug-in Hybrid (DGEA)		Gasol./el éc.	FWD	1395	110	150	07.20-	*
1.4 TSI eHybrid		Gasol./el éc.	FWD	1395	110	150	07.20-	*
1.4 TSI eHybrid		Gasol./el éc.	FWD	1395	150	204	07.20-	*
1.4 GTE Plug-in Hybrid		Gasol./el éc.	FWD	1395	180	245	07.20-	*

# LISTA DE APLICACIONES - BUYERS GUIDE

1.5 eTSI		Gasol./el éc.	FWD	1495	96	131	11.20-	*
1.5 eTSI		Gasol./el éc.	FWD	1498	85	116	03.24-	*
1.5 eTSI (DFYA)		Gasol./el éc.	FWD	1498	110	150	12.19-	*
1.5 eHybrid		Gasol./el éc.	FWD	1498	150	204	06.24-	*
2.0 TDI (DSUD)		Diesel	FWD	1968	85	116	08.19-	*
2.0 TDI (DSRB)		Diesel	FWD	1968	110	150	08.19-	*
2.0 TDI 4motion		Diesel	4WD	1968	110	150	06.21-	*
2.0 TDI GTD		Diesel	FWD	1968	147	200	09.20-	*
<b>GOLF VIII Variant (CG5, DB5) 08.20-</b>				<b>[CAMBIADO]:Break (Compact car-C Segment)</b>				
1.0 TSI (DLAB)		Gasolina	FWD	999	66	90	08.20-	*
1.0 TSI (DLAA)		Gasolina	FWD	999	81	110	08.20-	*
1.5 TSI (DPBA)		Gasolina	FWD	1495	96	131	08.20-	*
1.5 TSI		Gasolina	FWD	1498	85	116	03.24-	*
1.5 TSI (DPCA)		Gasolina	FWD	1498	110	150	08.20-	*
2.0 TSI		Gasolina	FWD	1984	140	190	06.21-11.24	*
2.0 TSI 4motion		Gasolina	4WD	1984	140	190	06.21-11.24	*
2.0 GTI (DNPA)		Gasolina	FWD	1984	180	245	09.20-	*
1.5 TGI		Gasol./G as (CNG)	FWD	1498	96	131	09.20-	*
1.0 eTSI		Gasol./el éc.	FWD	999	81	110	09.20-	*
1.5 eTSI		Gasol./el éc.	FWD	1495	96	131	12.20-	*
1.5 eTSI		Gasol./el éc.	FWD	1498	85	116	03.24-	*
1.5 eTSI		Gasol./el éc.	FWD	1498	110	150	12.20-	*
2.0 TDI		Diesel	FWD	1968	85	116	08.20-	*
2.0 TDI (DTSB)		Diesel	FWD	1968	110	150	08.20-	*
2.0 TDI 4motion		Diesel	4WD	1968	110	150	06.21-	*
<b>JETTA VII (BU3, BU4, BU5) 12.17-</b>				<b>Sedán (Compact car-C Segment)</b>				
1.4 TSI (CWLA)		Gasolina	FWD	1395	110	150	12.17-	*
1.4 TSI (CZDA)		Gasolina	FWD	1395	110	150	12.17-	*
1.4 TSI (DGXA)		Gasolina	FWD	1395	110	150	12.17-	*
1.4 TSI (DJXA)		Gasolina	FWD	1395	110	150	12.17-	*
<b>PASSAT B8 (3G2, CB2) 08.14-</b>				<b>Sedán (Large family car-D Segment)</b>				
1.4 TSI (CZCA)		Gasolina	FWD	1395	92	125	11.14-11.18	*
1.4 TSI (CZDA)		Gasolina	FWD	1395	110	150	11.14-03.24	*
1.4 TSI (CZEA)		Gasolina	FWD	1395	110	150	11.14-03.24	*
1.4 TSI 4motion (CZEA)		Gasolina	4WD	1395	110	150	02.15-11.18	*
1.5 TSI (DADA)		Gasolina	FWD	1498	110	150	08.18-03.24	*
1.5 TSI (DPCA)		Gasolina	FWD	1498	110	150	08.18-03.24	*
1.8 TSI (CJSA)		Gasolina	FWD	1798	132	180	02.15-07.19	*
1.8 TSI (CJSC)		Gasolina	FWD	1798	132	180	02.15-07.19	*
2.0 TSI (CZPB)		Gasolina	FWD	1984	140	190	11.18-03.24	*
2.0 TSI (DKZA)		Gasolina	FWD	1984	140	190	11.18-03.24	*
2.0 TSI (DRFA)		Gasolina	FWD	1984	140	190	11.18-03.24	*
2.0 TSI (CHHB)		Gasolina	FWD	1984	162	220	02.15-03.24	*
2.0 TSI (CXDA)		Gasolina	FWD	1984	162	220	02.15-03.24	*
2.0 TSI 4motion (CJXA)		Gasolina	4WD	1984	206	280	05.15-03.24	*

# LISTA DE APLICACIONES - BUYERS GUIDE

1.4 GTE Hybrid (CUKC)		Gasol./el éc.	FWD	1395	160	218	06.15-03.24	*	
1.4 GTE Hybrid (DGEB)		Gasol./el éc.	FWD	1395	160	218	06.15-03.24	*	
1.6 TDI (DCXA)		Diesel	FWD	1598	88	120	08.14-11.20	*	
1.6 TDI (DCZA)		Diesel	FWD	1598	88	120	08.14-11.20	*	
2.0 TDI (CRLD)		Diesel	FWD	1968	81	110	01.16-11.18	*	
2.0 TDI (DBGB)		Diesel	FWD	1968	81	110	01.16-11.18	*	
2.0 TDI (DFGB)		Diesel	FWD	1968	81	110	01.16-11.18	*	
2.0 TDI (DTRA)		Diesel	FWD	1968	90	122	07.20-03.24	*	
2.0 TDI (CRLB)		Diesel	FWD	1968	110	150	11.14-03.24	*	
2.0 TDI (DBGA)		Diesel	FWD	1968	110	150	11.14-03.24	*	
2.0 TDI (DFGA)		Diesel	FWD	1968	110	150	11.14-03.24	*	
2.0 TDI (DSRA)		Diesel	FWD	1968	110	150	11.14-03.24	*	
2.0 TDI (DSRB)		Diesel	FWD	1968	110	150	11.14-03.24	*	
2.0 TDI 4motion (CRLB)		Diesel	4WD	1968	110	150	08.14-03.24	*	
2.0 TDI 4motion (DFEA)		Diesel	4WD	1968	110	150	08.14-03.24	*	
2.0 TDI 4motion (DFGA)		Diesel	4WD	1968	110	150	08.14-03.24	*	
2.0 TDI		Diesel	FWD	1968	130	177	05.16-03.24	*	
2.0 TDI (CUPA)		Diesel	FWD	1968	135	184	07.15-05.16	*	
2.0 TDI (DDAA)		Diesel	FWD	1968	140	190	11.14-03.24	*	
2.0 TDI (DFCA)		Diesel	FWD	1968	140	190	11.14-03.24	*	
2.0 TDI (DFHA)		Diesel	FWD	1968	140	190	11.14-03.24	*	
2.0 TDI 4motion (DDAA)		Diesel	4WD	1968	140	190	11.14-03.24	*	
2.0 TDI 4motion (DFCA)		Diesel	4WD	1968	140	190	11.14-03.24	*	
2.0 TDI 4motion (DFHA)		Diesel	4WD	1968	140	190	11.14-03.24	*	
2.0 TDI		Diesel	FWD	1968	147	200	10.20-03.24	*	
2.0 TDI 4motion (DTUA)		Diesel	4WD	1968	147	200	08.20-03.24	*	
2.0 TDI 4motion (CUAA)		Diesel	4WD	1968	176	240	08.14-11.20	*	
<b>PASSAT B8 ALLTRACK Variant (3G5, CB5) 05.15-</b>					<b>[CAMBIADO]:Break (Large family car-D Segment)</b>				
1.4 TSI 4motion (CZEA)		Gasolina	4WD	1395	110	150	05.15-11.18	*	
2.0 TSI 4motion (CHHB)		Gasolina	4WD	1984	162	220	07.15-03.24	*	
2.0 TDI 4motion (CRLB)		Diesel	4WD	1968	110	150	05.15-11.17	*	
2.0 TDI 4motion (DFEA)		Diesel	4WD	1968	110	150	05.15-11.17	*	
2.0 TDI 4motion (CUPA)		Diesel	4WD	1968	135	184	07.15-05.16	*	
2.0 TDI 4motion (DDAA)		Diesel	4WD	1968	140	190	05.15-03.24	*	
2.0 TDI 4motion (DFCA)		Diesel	4WD	1968	140	190	05.15-03.24	*	
2.0 TDI 4motion (DFHA)		Diesel	4WD	1968	140	190	05.15-03.24	*	
2.0 TDI 4motion		Diesel	4WD	1968	147	200	08.20-03.24	*	
2.0 TDI 4motion (CUAA)		Diesel	4WD	1968	176	240	05.15-11.20	*	
<b>PASSAT B8 Variant (3G5, CB5) 08.14-</b>					<b>[CAMBIADO]:Break (Large family car-D Segment)</b>				
1.4 TSI (CZCA)		Gasolina	FWD	1395	92	125	11.14-11.18	*	
1.4 TSI (CZDA)		Gasolina	FWD	1395	110	150	11.14-03.24	*	
1.4 TSI (CZEA)		Gasolina	FWD	1395	110	150	11.14-03.24	*	
1.4 TSI 4motion (CZEA)		Gasolina	4WD	1395	110	150	02.15-11.18	*	
1.5 TSI (DADA)		Gasolina	FWD	1498	110	150	08.18-03.24	*	
1.5 TSI (DPCA)		Gasolina	FWD	1498	110	150	08.18-03.24	*	
1.8 TSI (CJSA)		Gasolina	FWD	1798	132	180	02.15-07.19	*	
1.8 TSI (CJSC)		Gasolina	FWD	1798	132	180	02.15-07.19	*	
2.0 TSI (CZPB)		Gasolina	FWD	1984	140	190	11.18-03.24	*	
2.0 TSI (DKZA)		Gasolina	FWD	1984	140	190	11.18-03.24	*	

# LISTA DE APLICACIONES - BUYERS GUIDE

2.0 TSI (DRFA)		Gasolina	FWD	1984	140	190	11.18-03.24	*	
2.0 TSI (CHHB)		Gasolina	FWD	1984	162	220	08.14-03.24	*	
2.0 TSI (CXDA)		Gasolina	FWD	1984	162	220	08.14-03.24	*	
2.0 TSI 4motion (CJXA)		Gasolina	4WD	1984	206	280	05.15-03.24	*	
1.4 GTE Hybrid (CUKC)		Gasol./el éc.	FWD	1395	160	218	06.15-03.24	*	
1.4 GTE Hybrid (DGEB)		Gasol./el éc.	FWD	1395	160	218	06.15-03.24	*	
1.6 TDI (DCXA)		Diesel	FWD	1598	88	120	08.14-11.20	*	
1.6 TDI (DCZA)		Diesel	FWD	1598	88	120	08.14-11.20	*	
2.0 TDI		Diesel	FWD	1968	81	110	01.16-07.18	*	
2.0 TDI (DTRA)		Diesel	FWD	1968	90	122	07.20-03.24	*	
2.0 TDI (CRLB)		Diesel	FWD	1968	110	150	11.14-03.24	*	
2.0 TDI (DBGA)		Diesel	FWD	1968	110	150	11.14-03.24	*	
2.0 TDI (DFGA)		Diesel	FWD	1968	110	150	11.14-03.24	*	
2.0 TDI (DSRA)		Diesel	FWD	1968	110	150	11.14-03.24	*	
2.0 TDI (DSRB)		Diesel	FWD	1968	110	150	11.14-03.24	*	
2.0 TDI 4motion (CRLB)		Diesel	4WD	1968	110	150	08.14-03.24	*	
2.0 TDI 4motion (DFEA)		Diesel	4WD	1968	110	150	08.14-03.24	*	
2.0 TDI 4motion (DFGA)		Diesel	4WD	1968	110	150	08.14-03.24	*	
2.0 TDI (CUPA)		Diesel	FWD	1968	135	184	07.15-05.16	*	
2.0 TDI (DDAA)		Diesel	FWD	1968	140	190	11.14-03.24	*	
2.0 TDI (DFCA)		Diesel	FWD	1968	140	190	11.14-03.24	*	
2.0 TDI (DFHA)		Diesel	FWD	1968	140	190	11.14-03.24	*	
2.0 TDI 4motion (DDAA)		Diesel	4WD	1968	140	190	11.14-03.24	*	
2.0 TDI 4motion (DFCA)		Diesel	4WD	1968	140	190	11.14-03.24	*	
2.0 TDI 4motion (DFHA)		Diesel	4WD	1968	140	190	11.14-03.24	*	
2.0 TDI		Diesel	FWD	1968	147	200	09.20-03.24	*	
2.0 TDI 4motion (DTUA)		Diesel	4WD	1968	147	200	08.20-03.24	*	
2.0 TDI 4motion (CUAA)		Diesel	4WD	1968	176	240	08.14-11.20	*	
<b>POLO V (6R1, 6C1) 03.09-</b>					<b>[CAMBIADO]:Fastback (Supermini car-B Segment)</b>				
1.8 GTI 230 (DAJA)		Gasolina	FWD	1798	169	230	04.16-10.17	*	
<b>TAOS (CL1, CP1, CQ1) 07.20-</b>					<b>SUV (Compact Crossover CUV-C Segment)</b>				
1.4 TSI (DSJA)		Gasolina	FWD	1395	110	150	10.20-	*	
1.4 TSI 4motion		Gasolina	4WD	1395	110	150	05.21-	*	
1.6 MPi		Gasolina	FWD	1598	81	110	07.21-	*	
1.4 250 TSI Total Flex (CWLA)		Gasol./Et anol	FWD	1395	110	150	06.21-	*	
<b>TIGUAN II (AD1) 07.15-</b>					<b>Furgoneta/SUV ()</b>				
TDI 4motion		Diesel	4WD	1968	140	190	01.16-07.20	*	
<b>TIGUAN II (AD1, AX1) 01.16-</b>					<b>SUV (Compact SUV-J Segment)</b>				
1.4 TSI (CZCA)		Gasolina	FWD	1395	92	125	01.16-03.22	*	
1.4 TSI (CZDA)		Gasolina	FWD	1395	110	150	05.16-03.22	*	
1.4 TSI (CZEA)		Gasolina	FWD	1395	110	150	05.16-03.22	*	
1.4 TSI (DJVA)		Gasolina	FWD	1395	110	150	05.16-03.22	*	
1.4 TSI 4motion (CZDA)		Gasolina	4WD	1395	110	150	05.16-03.22	*	
1.4 TSI 4motion (CZEA)		Gasolina	4WD	1395	110	150	05.16-03.22	*	
1.5 TSI (DACB)		Gasolina	FWD	1498	96	131	11.18-08.19	*	
1.5 TSI (DPBE)		Gasolina	FWD	1498	96	131	07.18-04.24	*	
1.5 TSI (DADA)		Gasolina	FWD	1498	110	150	11.18-04.24	*	
1.5 TSI (DPCA)		Gasolina	FWD	1498	110	150	11.18-04.24	*	

# LISTA DE APLICACIONES - BUYERS GUIDE

2.0 TSI 4motion (CZPA)		Gasolina	4WD	1984	132	180	01.16-04.24	*
2.0 TSI 4motion (CHHB)		Gasolina	4WD	1984	162	220	06.16-04.24	*
1.4 eHybrid		Gasol./el éc.	FWD	1395	180	245	11.20-04.24	*
1.6 TDI (DGDB)		Diesel	FWD	1598	85	115	05.16-06.20	*
2.0 TDI (CYKC)		Diesel	FWD	1968	81	110	08.16-07.20	*
2.0 TDI (DFGC)		Diesel	FWD	1968	85	115	05.16-07.19	*
2.0 TDI		Diesel	FWD	1968	90	122	07.20-04.24	*
2.0 TDI 4motion		Diesel	4WD	1968	105	143	06.16-07.20	*
2.0 TDI (DFGA)		Diesel	FWD	1968	110	150	01.16-04.24	*
2.0 TDI (DTSA)		Diesel	FWD	1968	110	150	01.16-04.24	*
2.0 TDI (DTSB)		Diesel	FWD	1968	110	150	01.16-04.24	*
2.0 TDI 4motion (DBGC)		Diesel	4WD	1968	110	150	01.16-04.24	*
2.0 TDI 4motion (DFGA)		Diesel	4WD	1968	110	150	01.16-04.24	*
2.0 TDI 4motion (DTSA)		Diesel	4WD	1968	110	150	01.16-04.24	*
2.0 TDI 4motion (DTSB)		Diesel	4WD	1968	110	150	01.16-04.24	*
2.0 TDI 4motion (CRGB)		Diesel	4WD	1968	130	177	08.16-07.20	*
2.0 TDI 4motion (DFHA)		Diesel	4WD	1968	140	190	04.16-07.20	*
2.0 TDI 4motion (CUAA)		Diesel	4WD	1968	176	240	05.16-07.20	*
<b>TOURAN III (5T1) 05.15-</b>					<b>Furgoneta/MPV (LCVs-N1 Segment)</b>			
2.0 TDI		Diesel	FWD	1968	90	122	11.20-	*
2.0 TDI		Diesel	FWD	1968	110	150	05.15-	*
<b>TOURAN III (5T1) 05.15-</b>					<b>MPV (Compact MPV-M1 Segment)</b>			
1.0 TSI (DKRB)		Gasolina	FWD	999	85	116	12.18-07.19	*
1.2 TSI (CYVB)		Gasolina	FWD	1197	81	110	05.15-07.18	*
1.4 TSI (CZDA)		Gasolina	FWD	1395	110	150	05.15-07.22	*
1.5 TSI (DADA)		Gasolina	FWD	1498	110	150	11.18-	*
1.5 TSI (DPCA)		Gasolina	FWD	1498	110	150	11.18-	*
1.8 TSI (CJSA)		Gasolina	FWD	1798	132	180	11.15-07.18	*
1.6 TDI (CRKB)		Diesel	FWD	1598	81	110	05.15-05.16	*
1.6 TDI (DGDA)		Diesel	FWD	1598	85	115	05.16-07.19	*
2.0 TDI (CRVA)		Diesel	FWD	1968	81	110	11.15-07.19	*
2.0 TDI (CYKB)		Diesel	FWD	1968	81	110	11.15-07.19	*
2.0 TDI (DFEB)		Diesel	FWD	1968	81	110	11.15-07.19	*
2.0 TDI (DFGB)		Diesel	FWD	1968	81	110	11.15-07.19	*
2.0 TDI (DFGC)		Diesel	FWD	1968	85	116	02.19-11.20	*
2.0 TDI		Diesel	FWD	1968	90	122	11.20-	*
2.0 TDI (DFEA)		Diesel	FWD	1968	110	150	05.15-	*
2.0 TDI (DFGA)		Diesel	FWD	1968	110	150	05.15-	*
2.0 TDI (DFHA)		Diesel	FWD	1968	140	190	11.15-07.19	*
<b>T-ROC (AC7, AC8) 12.19-</b>					<b>Cabrío (Mini SUV-J Segment)</b>			
1.0 TSI		Gasolina	FWD	999	81	110	09.20-	*
1.0 TSI (DKRF)		Gasolina	FWD	999	85	116	12.19-	*
1.5 TSI (DPCA)		Gasolina	FWD	1498	110	150	12.19-	*
<b>T-ROC (A11, D11) 07.17-</b>					<b>SUV (Mini SUV-J Segment)</b>			
1.0 TSI		Gasolina	FWD	999	81	110	09.20-	*
1.0 TSI (CHZJ)		Gasolina	FWD	999	85	116	07.17-	*
1.0 TSI (DKRF)		Gasolina	FWD	999	85	116	07.17-	*
1.0 TSI 4motion		Gasolina	4WD	999	85	115	01.19-	*
1.5 TSI (DADA)		Gasolina	FWD	1498	110	150	11.17-	*

# LISTA DE APLICACIONES - BUYERS GUIDE

1.5 TSI (DPCA)		Gasolina	FWD	1498	110	150	11.17-	*
1.5 TSI 4motion (DADA)		Gasolina	4WD	1498	110	150	05.18-11.19	*
1.5 TSI 4motion (DPCA)		Gasolina	4WD	1498	110	150	05.18-11.19	*
2.0 TSI 4motion (CZPB)		Gasolina	4WD	1984	140	190	07.17-	*
2.0 TSI 4motion (DKZA)		Gasolina	4WD	1984	140	190	07.17-	*
2.0 R 4motion (DNUE)		Gasolina	4WD	1984	221	300	09.19-	*
1.6 TDI (DGTE)		Diesel	FWD	1598	85	115	03.18-06.21	*
2.0 TDI SCR		Diesel	FWD	1968	85	116	11.20-	*
2.0 TDI (DFFA)		Diesel	FWD	1968	110	150	03.18-	*
2.0 TDI 4motion (DFFA)		Diesel	4WD	1968	110	150	09.17-	*
2.0 TDI 4motion (DFHA)		Diesel	4WD	1968	140	190	07.19-06.21	*
<b>VW (FAW)</b>								
<b>CC Shooting Brake (0H9) 12.20-</b>					<b>[CAMBIADO]:Break (Large family car-D Segment)</b>			
330TSi (DPLA)		Gasolina	FWD	1984	137	186	12.20-	*
380TSi (DKXA)		Gasolina	FWD	1984	162	220	12.20-	*
<b>GOLF VIII (CN1) 11.20-</b>					<b>[CAMBIADO]:Fastback (Compact car-C Segment)</b>			
200TSi (DLSA,SLSB)		Gasolina	FWD	1197	85	116	11.20-	*
280TSi (DJSA)		Gasolina	FWD	1395	110	150	11.20-	*
<b>TAYRON (0D1, 0D3) 10.18-</b>					<b>SUV (Compact SUV-J Segment)</b>			
280TSi		Gasolina	FWD	1395	110	150	10.18-	*
330TSi		Gasolina	FWD	1984	137	186	10.18-	*
330 Tsi AWD		Gasolina	4WD	1984	137	186	10.18-	*
330 Tsi AWD		Gasolina	4WD	1984	162	220	10.18-	*
380 TSi AWD		Gasolina	4WD	1984	162	220	05.19-	*
GTE PHEV (DUKA)		Gasol./el éc.	FWD	1395	110	150	04.20-	*
GTE PHEV (DUKA)		Gasol./el éc.	FWD	1395	155	211	04.20-	*
<b>TAYRON X (0D2, 0D4) 07.20-</b>					<b>SUV (Compact SUV-J Segment)</b>			
330TSi (DPLA)		Gasolina	FWD	1984	137	186	07.20-	*
380 Tsi 4motion (DKXA)		Gasolina	4WD	1984	162	220	07.20-	*
<b>VW (SVW)</b>								
<b>TOURAN III (9R3) 06.14-</b>					<b>MPV (Compact MPV-M1 Segment)</b>			
1.6		Gasolina	FWD	1598	81	110	06.14-	*
<b>TOURAN L (0R1) 03.16-</b>					<b>MPV (Compact MPV-M1 Segment)</b>			
280TSi (CSSA, DJSA)		Gasolina	FWD	1395	110	150	03.16-	*
1.6 (CSRA)		Gasolina	FWD	1598	81	110	10.17-	*
330 Ti (CUFA)		Gasolina	FWD	1798	132	180	03.16-	*