

# LISTA DE APLICACIONES - BUYERS GUIDE

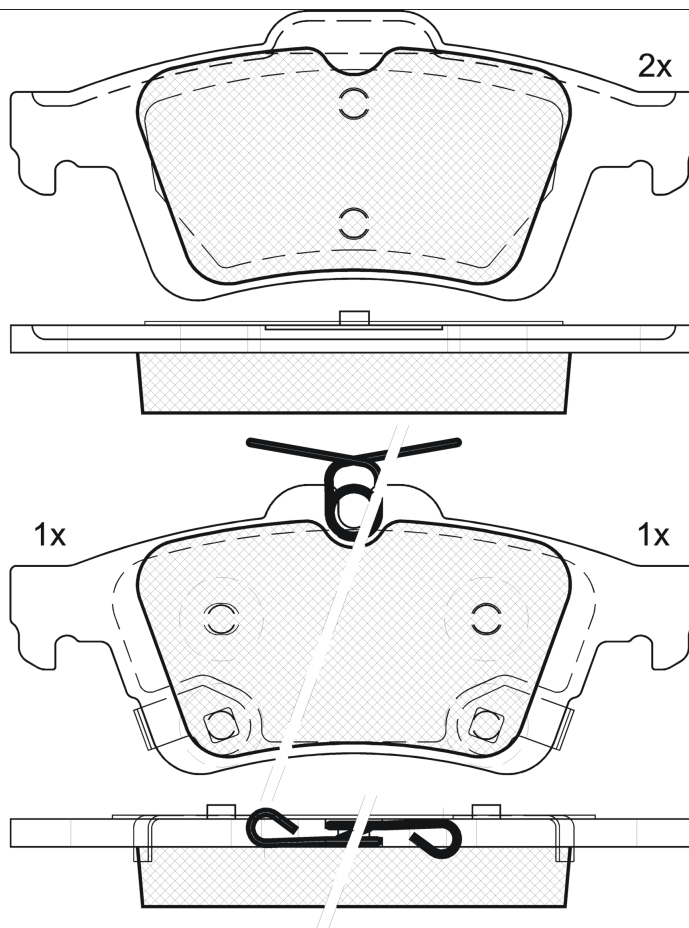
## RB2106



Qty: 944

Weight: 980

O.E.M.	MAKE
1 936 698	FORD
2 019 129	FORD
3 134 133 1	VOLVO
BV6Z-2200-C	FORD
CV6Z-2200-A	FORD
CV6Z-2299-A	FORD
G1FY-2M008-AB	FORD
G1FY-2M008-AC	FORD
G1FZ-2200-A	FORD
GN1Z-2200-D	FORD USA
GN1Z-2200-E	FORD



## RB2106

E 9 90R-02A0110/3597



Ate - Teves

123.1x51.9x16.4

WVA	FMSI
22737	D1564-7957
22738	D1564-9160
25212	

Sin Filas



Trac.	CC	Kw	CV	
				 Front / Rear

### CITROËN

					[CAMBIADO]:Fastback (Compact car-C Segment)				
<b>C4 II (NC_) 02.09-</b>									
2.0 Flex		Gasolina	FWD	1997	103	140	11.09-	*	
2.0 Flex		Gasolina	FWD	1997	111	151	11.09-	*	
<b>C4 II (NC_) 01.13-</b>					Sedán (Compact car-C Segment)				
2.0 Flex		Gasolina	FWD	1997	111	151	08.13-	*	

### FORD

					Furgoneta/MPV (LCVs-N1 Segment)			
1.0 EcoBoost (M2DA)		Gasolina	FWD	998	74	100	10.12-06.19	*
1.0 EcoBoost (M2DC)		Gasolina	FWD	998	74	100	10.12-06.19	*
1.0 EcoBoost (B7DA)		Gasolina	FWD	998	92	125	10.12-06.19	*
1.0 EcoBoost (M1DA)		Gasolina	FWD	998	92	125	10.12-06.19	*
1.0 EcoBoost (M1DD)		Gasolina	FWD	998	92	125	10.12-06.19	*
1.5 EcoBoost (M8DB)		Gasolina	FWD	1498	110	150	03.15-06.19	*
1.5 EcoBoost (M9DB)		Gasolina	FWD	1498	134	182	03.15-06.19	*
1.6 EcoBoost (JQDA)		Gasolina	FWD	1596	110	150	12.10-06.19	*
1.6 EcoBoost (JQDB)		Gasolina	FWD	1596	110	150	12.10-06.19	*
1.5 TDCi EConetic (AEDA)		Diesel	FWD	1499	77	105	03.15-06.19	*
1.5 TDCi (XWDA)		Diesel	FWD	1499	88	120	03.15-06.19	*
1.5 TDCi (XWDB)		Diesel	FWD	1499	88	120	03.15-06.19	*
1.5 TDCi (XWDC)		Diesel	FWD	1499	88	120	03.15-06.19	*
1.5 TDCi (XWDD)		Diesel	FWD	1499	88	120	03.15-06.19	*
1.5 TDCi (XWDE)		Diesel	FWD	1499	88	120	03.15-06.19	*
1.6 TDCi (T3DA)		Diesel	FWD	1560	70	95	12.10-06.19	*

# LISTA DE APLICACIONES - BUYERS GUIDE

1.6 TDCi (T3DB)		Diesel	FWD	1560	70	95	12.10-06.19	*	
1.6 TDCi (T1DA)		Diesel	FWD	1560	85	115	12.10-06.19	*	
1.6 TDCi (T1DB)		Diesel	FWD	1560	85	115	12.10-06.19	*	
2.0 TDCi (TYDA)		Diesel	FWD	1997	85	115	02.11-06.19	*	
2.0 TDCi (UFDB)		Diesel	FWD	1997	103	140	02.11-06.19	*	
2.0 TDCi (T7DB)		Diesel	FWD	1997	110	150	03.15-06.19	*	
2.0 TDCi (T7DC)		Diesel	FWD	1997	110	150	03.15-06.19	*	
2.0 TDCi (TXDB)		Diesel	FWD	1997	120	163	12.10-06.19	*	
2.0 TDCi (T8DE)		Diesel	FWD	1997	125	170	03.15-06.19	*	
<b>C-MAX II (DXA/CB7, DXA/CEU) 04.10-</b>					<b>MPV (Compact MPV-M1 Segment)</b>				
1.0 EcoBoost (M2DA)		Gasolina	FWD	998	74	100	10.12-06.19	*	
1.0 EcoBoost (M2DC)		Gasolina	FWD	998	74	100	10.12-06.19	*	
1.0 EcoBoost (B7DA)		Gasolina	FWD	998	92	125	10.12-06.19	*	
1.0 EcoBoost (M1DA)		Gasolina	FWD	998	92	125	10.12-06.19	*	
1.0 EcoBoost (M1DD)		Gasolina	FWD	998	92	125	10.12-06.19	*	
1.6 Ti (XTDA)		Gasolina	FWD	1596	63	85	12.10-06.19	*	
1.6 Ti (XTDB)		Gasolina	FWD	1596	63	85	12.10-06.19	*	
1.6 Ti (IQDA)		Gasolina	FWD	1596	77	105	12.10-06.19	*	
1.6 Ti (IQDB)		Gasolina	FWD	1596	77	105	12.10-06.19	*	
1.6 Ti (PNDA)		Gasolina	FWD	1596	92	125	12.10-06.19	*	
1.6 Ti (PNDD)		Gasolina	FWD	1596	92	125	12.10-06.19	*	
1.6 EcoBoost (JQDA)		Gasolina	FWD	1596	110	150	12.10-06.19	*	
1.6 EcoBoost (JQDB)		Gasolina	FWD	1596	110	150	12.10-06.19	*	
1.6 EcoBoost (JTDA)		Gasolina	FWD	1596	134	182	12.10-06.19	*	
1.6 EcoBoost (JTDB)		Gasolina	FWD	1596	134	182	12.10-06.19	*	
1.6 LPG (MUDA)		Gasol./Gas (LPG)	FWD	1596	88	120	02.12-06.19	*	
1.6 LPG (MUDD)		Gasol./Gas (LPG)	FWD	1596	88	120	02.12-06.19	*	
1.6 Flexifuel (MUDA)		Gasol./Etanol	FWD	1596	88	120	02.11-06.19	*	
1.6 Flexifuel (MUDD)		Gasol./Etanol	FWD	1596	88	120	02.11-06.19	*	
1.6 TDCi (T3DA)		Diesel	FWD	1560	70	95	12.10-06.19	*	
1.6 TDCi (T3DB)		Diesel	FWD	1560	70	95	12.10-06.19	*	
1.6 TDCi (T1DA)		Diesel	FWD	1560	85	115	12.10-06.19	*	
1.6 TDCi (T1DB)		Diesel	FWD	1560	85	115	12.10-06.19	*	
2.0 TDCi (TYDA)		Diesel	FWD	1997	85	115	02.11-06.19	*	
2.0 TDCi (UKDB)		Diesel	FWD	1997	100	136	02.11-06.19	*	
2.0 TDCi (UFDB)		Diesel	FWD	1997	103	140	04.10-06.19	*	
2.0 TDCi (TXDB)		Diesel	FWD	1997	120	163	12.10-06.19	*	
<b>ECOSPORT II 09.11-</b>					<b>SUV (Mini SUV-J Segment)</b>				
1.0 EcoBoost (SFJL)		Gasolina	FWD	998	74	100	04.18-	*	
1.0 Ti-VCT Ecoboost		Gasolina	FWD	998	88	120	08.12-	*	
1.0 EcoBoost (M1JC)		Gasolina	FWD	998	92	125	10.13-	*	
1.0 EcoBoost (M1JJ)		Gasolina	FWD	998	92	125	10.13-	*	
1.0 EcoBoost (M1JU)		Gasolina	FWD	998	92	125	10.13-	*	
1.0 EcoBoost (YYJD)		Gasolina	FWD	998	103	140	03.16-	*	
<b>FOCUS III (C346) 07.10-</b>					<b>[CAMBIADO]:Fastback (Compact car-C Segment)</b>				
2.0 ST		Gasolina	FWD	1997	186	253	09.13-	*	
2.0 ST (R9DA)		Gasolina	FWD	1999	184	250	07.12-12.17	*	
2.0 ST (R9DB)		Gasolina	FWD	1999	184	250	07.12-12.17	*	

# LISTA DE APLICACIONES - BUYERS GUIDE

2.0 ST (R9DC)		Gasolina	FWD	1999	184	250	07.12-12.17	*	
2.0 ST (R9DD)		Gasolina	FWD	1999	184	250	07.12-12.17	*	
2.3 RS AWD (YVDA)		Gasolina	4WD	2261	257	350	07.15-02.18	*	
<b>FOCUS III Turnier (C346) 07.10-</b>							<b>[CAMBIADO]:Break (Compact car-C Segment)</b>		
2.0 ST (R9DA)		Gasolina	FWD	1999	184	250	07.12-02.20	*	
2.0 ST (R9DB)		Gasolina	FWD	1999	184	250	07.12-02.20	*	
2.0 ST (R9DC)		Gasolina	FWD	1999	184	250	07.12-02.20	*	
2.0 ST (R9DD)		Gasolina	FWD	1999	184	250	07.12-02.20	*	
<b>KUGA II / ESCAPE III (DM2) 05.12-</b>							<b>SUV (Compact SUV-J Segment)</b>		
1.5 EcoBoost (BNMA)		Gasolina	FWD	1499	88	120	01.16-06.19	*	
1.5 EcoBoost (M8MA)		Gasolina	FWD	1499	110	150	09.14-06.19	*	
1.5 EcoBoost 4x4 (M9MA)		Gasolina	4WD	1499	134	182	09.14-06.18	*	
1.6 EcoBoost (JQMA)		Gasolina	FWD	1596	110	150	03.13-09.14	*	
1.6 EcoBoost (JQMB)		Gasolina	FWD	1596	110	150	03.13-09.14	*	
1.6 EcoBoost 4x4 (JQMA)		Gasolina	4WD	1596	110	150	03.13-09.14	*	
1.6 EcoBoost 4x4 (JQMB)		Gasolina	4WD	1596	110	150	03.13-09.14	*	
1.6 EcoBoost		Gasolina	FWD	1596	130	177	01.13-	*	
1.6 EcoBoost 4x4 (JTMA)		Gasolina	4WD	1596	134	182	03.13-09.14	*	
1.6		Gasolina	FWD	1601	133	181	03.13-	*	
2.0 4x4		Gasolina	4WD	1999	179	243	03.13-06.16	*	
2.5		Gasolina	FWD	2488	125	170	09.13-	*	
2.0 TDCi (TYMA)		Diesel	FWD	1997	85	115	03.13-12.19	*	
2.0 TDCi (XRMA)		Diesel	FWD	1997	88	120	09.14-06.19	*	
2.0 TDCi (XRMB)		Diesel	FWD	1997	88	120	09.14-06.19	*	
2.0 TDCi (UKMA)		Diesel	FWD	1997	100	136	03.13-12.19	*	
2.0 TDCi 4x4 (UKMA)		Diesel	4WD	1997	100	136	03.13-12.19	*	
2.0 TDCi (UFMA)		Diesel	FWD	1997	103	140	03.13-09.14	*	
2.0 TDCi 4x4 (UFMA)		Diesel	4WD	1997	103	140	03.13-09.14	*	
2.0 TDCi (T7MA)		Diesel	FWD	1997	110	150	09.14-06.19	*	
2.0 TDCi (T7MB)		Diesel	FWD	1997	110	150	09.14-06.19	*	
2.0 TDCi (T7MC)		Diesel	FWD	1997	110	150	09.14-06.19	*	
2.0 TDCi (T7MD)		Diesel	FWD	1997	110	150	09.14-06.19	*	
2.0 TDCi 4x4 (T7MA)		Diesel	4WD	1997	110	150	09.14-06.19	*	
2.0 TDCi 4x4 (T7MB)		Diesel	4WD	1997	110	150	09.14-06.19	*	
2.0 TDCi 4x4 (TXDA)		Diesel	4WD	1997	120	163	03.13-09.14	*	
2.0 TDCi 4x4 (TXMA)		Diesel	4WD	1997	120	163	03.13-09.14	*	
2.0 TDCi 4x4 (T8MA)		Diesel	4WD	1997	132	180	09.14-06.19	*	
2.0 TDCi 4x4 (T8MB)		Diesel	4WD	1997	132	180	09.14-06.19	*	
<b>TRANSIT CONNECT II 09.13-</b>							<b>MPV (Large MPV-M1 Segment)</b>		
1.6 EcoBoost		Gasolina	FWD	1596	110	150	02.13-	*	
2.5 Duratec		Gasolina	FWD	2488	126	171	09.13-	*	
1.5 TDCi (XUGA)		Diesel	FWD	1499	55	75	08.15-	*	
1.5 TDCi (XVGA)		Diesel	FWD	1499	74	101	05.15-	*	
1.5 TDCi (XVGB)		Diesel	FWD	1499	74	101	05.15-	*	
1.5 TDCi (XVGC)		Diesel	FWD	1499	74	101	05.15-	*	
1.5 TDCi (XXGA)		Diesel	FWD	1499	74	101	05.15-	*	
1.5 TDCi (XWGA)		Diesel	FWD	1499	88	120	05.15-	*	
1.5 TDCi (XWGB)		Diesel	FWD	1499	88	120	05.15-	*	
1.5 TDCi (XWGC)		Diesel	FWD	1499	88	120	05.15-	*	
1.6 TDCi (UBGA)		Diesel	FWD	1560	55	75	09.13-	*	

# LISTA DE APLICACIONES - BUYERS GUIDE

1.6 TDCi (TZGA)		Diesel	FWD	1560	70	95	09.13-	*	
1.6 TDCi (TZGB)		Diesel	FWD	1560	70	95	09.13-	*	
<b>TRANSIT CONNECT II V408 09.13-</b>					<b>Furgoneta/MPV (LCVs-N1 Segment)</b>				
1.0 EcoBoost (B3GA)		Gasolina	FWD	998	74	100	09.13-	*	
1.0 EcoBoost (M2GA)		Gasolina	FWD	998	74	100	09.13-	*	
1.0 EcoBoost (M2GB)		Gasolina	FWD	998	74	100	09.13-	*	
1.6 EcoBoost (JQGA)		Gasolina	FWD	1596	110	150	11.13-	*	
2.5 Duratec		Gasolina	FWD	2488	126	171	09.13-	*	
1.5 TDCi (XUGA)		Diesel	FWD	1499	55	75	08.15-	*	
1.5 TDCi (XVGA)		Diesel	FWD	1499	74	101	05.15-	*	
1.5 TDCi (XVGB)		Diesel	FWD	1499	74	101	05.15-	*	
1.5 TDCi (XVGC)		Diesel	FWD	1499	74	101	05.15-	*	
1.5 TDCi (XXGA)		Diesel	FWD	1499	74	101	05.15-	*	
1.5 TDCi (XWGA)		Diesel	FWD	1499	88	120	05.15-	*	
1.5 TDCi (XWGB)		Diesel	FWD	1499	88	120	05.15-	*	
1.5 TDCi (XWGC)		Diesel	FWD	1499	88	120	05.15-	*	
1.6 TDCi (UBGA)		Diesel	FWD	1560	55	75	09.13-	*	
1.6 TDCi (TZGA)		Diesel	FWD	1560	70	95	09.13-	*	
1.6 TDCi (TZGB)		Diesel	FWD	1560	70	95	09.13-	*	
1.6 TDCi (T1GA)		Diesel	FWD	1560	85	115	09.13-	*	
<b>FORD AUSTRALIA</b>									
<b>FOCUS (LZ) 05.15-</b>					<b>[CAMBIADO]:Fastback (Compact car-C Segment)</b>				
2.3 RS		Gasolina	FWD	2261	257	350	11.15-	*	
<b>FORD USA</b>									
<b>ECOSPORT (U.S.A.) 06.02-</b>					<b>SUV (Mini SUV-J Segment)</b>				
1.0 XL Supercharged		Gasolina	FWD	999	70	95	06.02-	*	
<b>VOLVO</b>									
<b>C30 (533) 09.06-12.13</b>					<b>[CAMBIADO]:Fastback (Compact car-C Segment)</b>				
1.6 (B 4164 S3)		Gasolina	FWD	1596	74	100	10.06-12.12	*	
1.8 (B 4184 S11)		Gasolina	FWD	1798	92	125	10.06-12.12	*	
2.0 (B 4204 S3)		Gasolina	FWD	1999	107	145	10.06-12.12	*	
2.4 i (B 5244 S4)		Gasolina	FWD	2435	125	170	10.06-12.12	*	
T5 (B 5254 T3)		Gasolina	FWD	2521	162	220	10.06-12.12	*	
T5 (B 5254 T7)		Gasolina	FWD	2521	169	230	03.07-12.12	*	
T5		Gasolina	FWD	2521	184	250	10.07-12.13	*	
1.8 Flexfuel (B 4184 S8)		Gasol./Etanol	FWD	1798	92	125	01.07-12.12	*	
2.0 FlexFuel (B 4204 S4)		Gasol./Etanol	FWD	1999	107	146	01.10-12.12	*	
1.6 D (D 4164 T)		Diesel	FWD	1560	80	109	10.06-12.12	*	
D2 (D 4162 T)		Diesel	FWD	1560	84	115	10.10-12.12	*	
D3 (D 5204 T5)		Diesel	FWD	1984	110	150	10.10-12.12	*	
D4 (D 5204 T)		Diesel	FWD	1984	130	177	10.10-12.12	*	
2.0 D (D 4204 T)		Diesel	FWD	1998	100	136	10.06-12.12	*	
D5 (D 5244 T9)		Diesel	FWD	2400	120	163	10.06-12.12	*	
D5 (D 5244 T13)		Diesel	FWD	2400	132	180	10.06-12.12	*	
D5 (D 5244 T8)		Diesel	FWD	2400	132	180	10.06-12.12	*	
<b>C70 II (542) 03.06-12.13</b>					<b>Cabrío (Pony car-F Segment)</b>				
2.4 (B 5244 S5)		Gasolina	FWD	2435	103	140	03.06-10.09	*	
2.4 i (B 5244 S4)		Gasolina	FWD	2435	125	170	03.06-10.09	*	

# LISTA DE APLICACIONES - BUYERS GUIDE

T5 (B 5254 T3)	Gasolina	FWD	2521	162	220	03.06-02.07	*
T5 (B 5254 T7)	Gasolina	FWD	2521	169	230	03.07-06.13	*
D3 (D 5204 T5)	Diesel	FWD	1984	110	150	10.10-06.13	*
D4 (D 5204 T)	Diesel	FWD	1984	130	177	10.10-06.13	*
2.0 D (D 4204 T)	Diesel	FWD	1998	100	136	01.08-10.09	*
D5 (D 5244 T13)	Diesel	FWD	2400	132	180	03.06-06.13	*
D5 (D 5244 T8)	Diesel	FWD	2400	132	180	03.06-06.13	*
<b>S40 II (544) 12.03-12.12</b>						<b>Sedán (Compact executive car-D Segment)</b>	
1.6 (B 4164 S3)	Gasolina	FWD	1596	74	101	01.05-12.12	*
1.8 (B 4184 S11)	Gasolina	FWD	1798	92	125	04.04-12.10	*
2.0 (B 4204 S3)	Gasolina	FWD	1999	107	146	10.06-12.12	*
2.4 (B 5244 S5)	Gasolina	FWD	2435	103	140	01.04-12.10	*
2.4 (B 5244 S4)	Gasolina	FWD	2435	125	170	01.04-12.12	*
2.4 AWD	Gasolina	4WD	2435	125	170	08.06-12.12	*
T5 (B 5254 T3)	Gasolina	FWD	2521	162	220	01.04-12.07	*
T5 AWD (B 5254 T3)	Gasolina	4WD	2521	162	220	04.04-12.07	*
T5 (B 5254 T7)	Gasolina	FWD	2521	169	230	03.07-12.12	*
T5 AWD (B 5254 T7)	Gasolina	4WD	2521	169	230	03.07-12.10	*
1.8 Flexfuel (B 4184 S8)	Gasol./Etanol	FWD	1798	92	125	01.06-12.10	*
2.0 F (B 4204 S4)	Gasol./Etanol	FWD	1999	107	146	10.09-12.12	*
1.6 D (D 4164 T)	Diesel	FWD	1560	81	110	01.05-12.12	*
D2 (D 4162 T)	Diesel	FWD	1560	84	115	10.10-12.12	*
D3 (D 5204 T5)	Diesel	FWD	1984	110	150	10.10-12.12	*
D4 (D 5204 T)	Diesel	FWD	1984	130	177	10.10-12.12	*
D4 (D 4204 T2)	Diesel	FWD	1998	96	131	07.05-12.06	*
2.0 CDI (D 4204 T2)	Diesel	FWD	1998	98	133	07.05-12.06	*
2.0 D (D 4204 T)	Diesel	FWD	1998	100	136	01.04-12.10	*
2.4 CDI (D 5244 T9)	Diesel	FWD	2400	120	163	03.07-12.10	*
D5 (D 5244 T13)	Diesel	FWD	2400	132	179	03.06-12.10	*
D5 (D 5244 T8)	Diesel	FWD	2400	132	179	03.06-12.10	*
<b>V40 (526) 10.12-08.19</b>						<b>[CAMBIADO]:Fastback (Compact executive car-D Segment)</b>	
T3	Gasolina	FWD	1498	112	152	04.15-08.19	*
T4 GTDi	Gasolina	FWD	1596	132	180	10.12-12.16	*
T3	Gasolina	FWD	1969	112	152	02.15-08.19	*
T4	Gasolina	FWD	1969	140	190	08.15-08.19	*
T4 AWD (B 4204 T21)	Gasolina	4WD	1969	140	190	05.14-08.19	*
T5 AWD (B 4204 T11)	Gasolina	4WD	1969	180	245	05.14-08.19	*
T5 AWD (B 4204 T41)	Gasolina	4WD	1969	180	245	05.14-08.19	*
T5 Polestar AWD (B 4204 T11)	Gasolina	4WD	1969	186	253	01.15-08.19	*
T4	Gasolina	FWD	1984	132	180	10.13-12.15	*
T4 AWD (B 5204 T8)	Gasolina	4WD	1984	132	180	07.13-12.15	*
T5	Gasolina	FWD	1984	157	214	02.13-12.15	*
T5 AWD (B 5204 T9)	Gasolina	4WD	1984	157	214	03.13-12.15	*
T5	Gasolina	FWD	2497	183	249	01.14-12.15	*
T5 AWD	Gasolina	4WD	2497	183	249	01.14-12.15	*
T5	Gasolina	FWD	2497	187	254	10.12-12.16	*
T5 AWD (B 5254 T12)	Gasolina	4WD	2497	187	254	10.12-12.16	*
D2	Diesel	FWD	1560	84	114	10.12-12.16	*
D2	Diesel	FWD	1969	88	120	02.15-08.19	*

# LISTA DE APLICACIONES - BUYERS GUIDE

D3		Diesel	FWD	1969	110	150	04.15-08.19	*	
D4		Diesel	FWD	1969	140	190	05.14-08.19	*	
D4 Polestar		Diesel	FWD	1969	147	200	05.14-08.19	*	
D3		Diesel	FWD	1984	110	150	10.12-03.15	*	
D4		Diesel	FWD	1984	130	177	10.12-12.14	*	
<b>V40 (526) 09.13-12.15</b>							<b>Furgón/hatchback (Compact executive car-D Segment)</b>		
1.6 D2/ DRIVe		Diesel	FWD	1560	84	114	09.13-12.15	*	
2.0 D3		Diesel	FWD	1984	110	150	09.13-12.15	*	
2.0 D4		Diesel	FWD	1984	130	177	09.13-12.14	*	
<b>V40 II (525) 03.12-</b>							<b>[CAMBIADO]:Fastback (Compact executive car-D Segment)</b>		
T2 (B 4154 T3)		Gasolina	FWD	1498	90	122	02.15-08.19	*	
T2 (B 4154 T5)		Gasolina	FWD	1498	90	122	02.15-08.19	*	
T3		Gasolina	FWD	1498	90	122	09.18-	*	
T3 (B 4154 T2)		Gasolina	FWD	1498	112	152	02.15-08.19	*	
T3 (B 4154 T4)		Gasolina	FWD	1498	112	152	02.15-08.19	*	
T2 GTDi (B 4164 T4)		Gasolina	FWD	1596	88	120	04.13-12.16	*	
T3 GTDi (B 4164 T3)		Gasolina	FWD	1596	110	150	03.12-12.16	*	
T4 GTDi (B 4164 T)		Gasolina	FWD	1596	132	180	03.12-12.16	*	
T4 (B 4164 T)		Gasolina	FWD	1596	147	200	04.14-12.15	*	
T2 (B 4204 T17)		Gasolina	FWD	1969	90	122	02.15-08.19	*	
T2 (B 4204 T38)		Gasolina	FWD	1969	90	122	02.15-08.19	*	
T3 (B 4204 T33)		Gasolina	FWD	1969	112	152	02.15-08.19	*	
T3 (B 4204 T37)		Gasolina	FWD	1969	112	152	02.15-08.19	*	
T4 (B 4204 T19)		Gasolina	FWD	1969	140	190	08.15-08.19	*	
T5 (B 4204 T11)		Gasolina	FWD	1969	180	245	05.14-08.19	*	
T5 (B 4204 T41)		Gasolina	FWD	1969	180	245	05.14-08.19	*	
T5 Drive-E Polestar (B 4204 T11)		Gasolina	FWD	1969	186	253	05.14-08.19	*	
T4 (B 5204 T8)		Gasolina	FWD	1984	132	180	07.13-12.15	*	
T5 (B 5204 T9)		Gasolina	FWD	1984	157	214	03.13-12.15	*	
T5 (B 5254 T14)		Gasolina	FWD	2497	183	249	01.14-12.14	*	
T5 (B 5254 T12)		Gasolina	FWD	2497	187	254	12.12-12.14	*	
D2 (D 4162 T)		Diesel	FWD	1560	84	114	03.12-12.16	*	
D2 (D 4204 T13)		Diesel	FWD	1969	88	120	02.15-08.19	*	
D2 (D 4204 T8)		Diesel	FWD	1969	88	120	02.15-08.19	*	
D3 (D 4204 T16)		Diesel	FWD	1969	110	150	04.15-08.19	*	
D3 (D 4204 T9)		Diesel	FWD	1969	110	150	04.15-08.19	*	
D4 (D 4204 T14)		Diesel	FWD	1969	140	190	05.14-08.19	*	
D4 Polestar (D 4204 T14)		Diesel	FWD	1969	147	200	05.14-08.19	*	
D3 (D 5204 T6)		Diesel	FWD	1984	110	150	03.12-03.15	*	
D4 (D 5204 T4)		Diesel	FWD	1984	130	177	03.12-12.14	*	
<b>V40 II (525) 09.13-12.15</b>							<b>Furgón/hatchback (Compact executive car-D Segment)</b>		
1.6 D2/ DRIVe (D 4162 T)		Diesel	FWD	1560	84	114	09.13-12.15	*	
2.0 D3 (D 5204 T6)		Diesel	FWD	1984	110	150	09.13-12.15	*	
2.0 D4 (D 5204 T4)		Diesel	FWD	1984	130	177	09.13-12.14	*	
<b>V50 (545) 12.03-12.12</b>							<b>[CAMBIADO]:Break (Luxury car-F Segment)</b>		
1.6 (B 4164 S3)		Gasolina	FWD	1596	74	101	01.05-12.12	*	
1.8 (B 4184 S11)		Gasolina	FWD	1798	92	125	04.04-12.10	*	
2.0 (B 4204 S3)		Gasolina	FWD	1999	107	146	10.06-12.12	*	
2.4 (B 5244 S5)		Gasolina	FWD	2435	103	140	04.04-12.10	*	

## LISTA DE APLICACIONES - BUYERS GUIDE

2.4 (B 5244 S4)	Gasolina	FWD	2435	125	170	04.04-12.10	*
2.4 AWD (B 5244 S4)	Gasolina	4WD	2435	125	170	08.06-12.09	*
T5 (B 5254 T3)	Gasolina	FWD	2521	162	220	04.04-12.07	*
T5 AWD (B 5254 T3)	Gasolina	4WD	2521	162	220	04.04-12.07	*
T5 (B 5254 T7)	Gasolina	FWD	2521	169	230	03.07-12.12	*
T5 AWD (B 5254 T7)	Gasolina	4WD	2521	169	230	03.07-12.10	*
1.8 Flexfuel (B 4184 S8)	Gasol./Etanol	FWD	1798	92	125	01.05-12.10	*
2.0 FlexFuel (B 4204 S4)	Gasol./Etanol	FWD	1999	107	146	01.10-12.12	*
1.6 D (D 4164 T)	Diesel	FWD	1560	81	110	01.05-12.11	*
D2 (D 4162 T)	Diesel	FWD	1560	84	114	01.10-12.12	*
D3 (D 5204 T5)	Diesel	FWD	1984	110	150	10.10-12.12	*
D4 (D 5204 T)	Diesel	FWD	1984	130	177	10.10-12.12	*
2.0 D (D 4204 T)	Diesel	FWD	1998	100	136	04.04-12.10	*
2.4 TDi (D 5244 T9)	Diesel	FWD	2400	120	163	05.07-12.10	*
D5 (D 5244 T13)	Diesel	FWD	2400	132	179	03.06-12.10	*
D5 (D 5244 T8)	Diesel	FWD	2400	132	179	03.06-12.10	*