

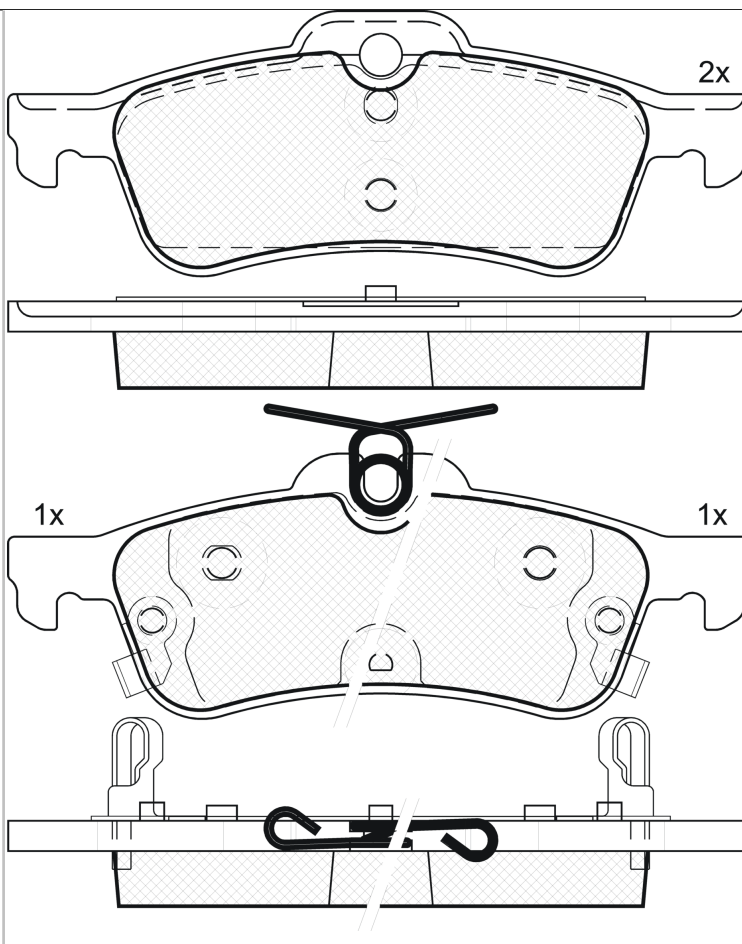
# LISTA DE APLICACIONES - BUYERS GUIDE

## RB2101



Qty: 944      Weight: 805

O.E.M.	MAKE
43022-TV0-E00	HONDA
43022-TV0-E01	HONDA
43022-TV8-E00	HONDA
43022-TV8-E01	HONDA



## RB2101

**E 9 90R-02A0110/3494**



Ate - Teves

123.1x43.8x14.8

WVA	FMSI
23716	D1951-9177
24574	
25054	
25055	

Sin Filas



	Trac.	CC	Kw	CV			Front / Rear
--	-------	----	----	----	--	--	--------------

### HONDA

CIVIC IX (FK) 02.12-						[CAMBIADO]:Fastback (Compact car-C Segment)		
1.4 i-VTEC (FK1) (L13Z4)		Gasolina	FWD	1339	73	99	02.12-12.16	*
1.8 i-VTEC (FK2) (R18Z4)		Gasolina	FWD	1798	104	141	02.12-12.16	*
2.0 i-VTEC Type R (FK2) (K20C1)		Gasolina	FWD	1996	228	310	08.15-12.16	*
1.6 i-DTEC (FK3) (N16A1)		Diesel	FWD	1597	88	120	02.13-12.16	*
2.2 i-DTEC (FK3) (N22B4)		Diesel	FWD	2199	110	150	02.12-12.16	*
CIVIC IX 01.12-						Coupé (Compact car-C Segment)		
1.8		Gasolina	FWD	1798	104	141	01.12-	*
2.4		Gasolina	FWD	2354	150	204	01.12-	*
CIVIC IX (FB) 09.11-						Sedán (Compact car-C Segment)		
1.5 Hybrid		Gasolina	FWD	1497	82	112	06.12-	*
1.8 (FB2) (R18Z1)		Gasolina	FWD	1799	104	141	02.12-12.16	*
1.8 (FB2) (R18Z4)		Gasolina	FWD	1799	104	141	02.12-12.16	*
2.0 (FB3)		Gasolina	FWD	1997	114	155	06.12-12.16	*
CIVIC IX Tourer (FK) 01.14-						[CAMBIADO]:Break (Compact car-C Segment)		
1.8 i-VTEC (FK2) (R18Z4)		Gasolina	FWD	1798	104	141	01.14-12.16	*
1.6 i-DTEC (FK3) (N16A1)		Diesel	FWD	1597	88	120	01.14-12.16	*
CIVIC X (FC_, FK_) 09.16-						[CAMBIADO]:Fastback (Compact car-C Segment)		
2.0		Gasolina	FWD	1996	118	160	09.16-	*
2.0 Type-R (FK8) (K20C1)		Gasolina	FWD	1996	235	320	06.17-12.22	*
1.6 i-DTEC (FK9) (N16A1)		Diesel	FWD	1597	88	120	01.18-12.22	*

# LISTA DE APLICACIONES - BUYERS GUIDE

<b>CIVIC X (FC_) 09.15-</b>					<b>Sedán (Compact car-C Segment)</b>			
1.5 RS Turbo (FC1) (L15B7)	Gasolina	FWD	1498	127	173	06.16-08.22	*	
1.5 RS Turbo (FC1) (L15BB)	Gasolina	FWD	1498	127	173	06.16-08.22	*	
1.5 (FC1)	Gasolina	FWD	1498	130	177	09.15-12.21	*	
1.5 VTEC (FC1) (L15B7)	Gasolina	FWD	1498	134	182	08.16-12.22	*	
1.5 VTEC (FC1) (L15BB)	Gasolina	FWD	1498	134	182	08.16-12.22	*	
1.6 i-VTEC (FC5) (R16B1)	Gasolina	FWD	1597	92	125	09.16-12.22	*	
1.6 i-VTEC (FC5) (R16B2)	Gasolina	FWD	1597	92	125	09.16-12.22	*	
1.8 (FC6)	Gasolina	FWD	1799	104	141	06.16-	*	
2.0 (FC2) (K20C2)	Gasolina	FWD	1996	118	160	09.15-12.21	*	
<b>HONDA (DONGFENG)</b>								
<b>CIVIC X (FC_) 04.16-</b>					<b>Sedán (Compact car-C Segment)</b>			
220TURBO	Gasolina	FWD	1498	130	177	04.16-	*	