

LISTA DE APLICACIONES - BUYERS GUIDE

RB2099

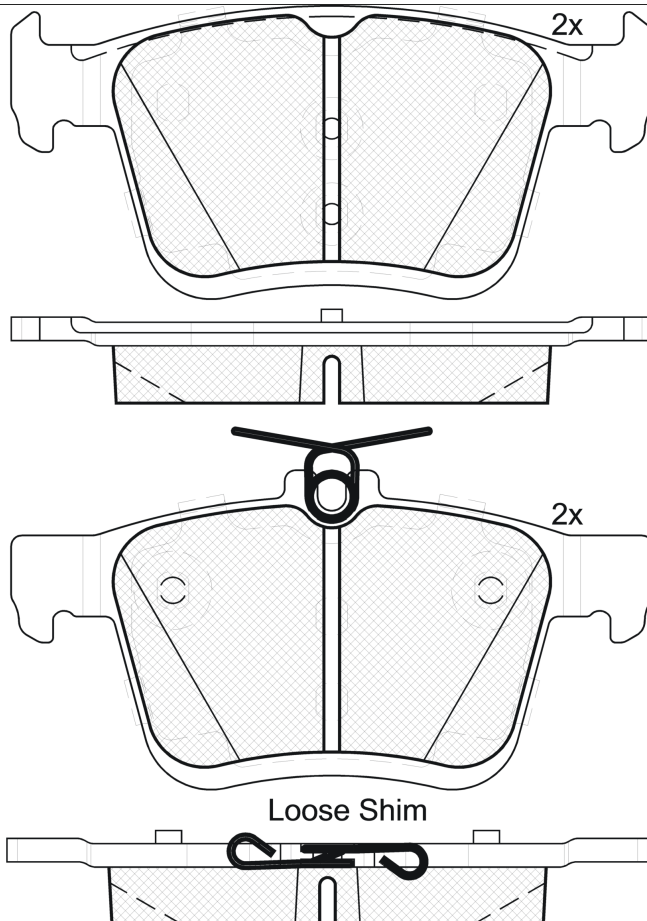


8 424073 138316

Qty: 300

Weight: 1.105

O.E.M.	MAKE
5Q0 698 451 AD	VW
5Q0 698 451 AG	SEAT
5Q0 698 451 C	VW
5Q0 698 451 N	VW
5Q0 698 451 Q	SEAT
5Q0 698 451 R	VW
5Q0 698 491 N	VW
5Q0698451AF	VW
5QD 698 451 D	SKODA
8Q0 698 451 N	AUDI
8V0 698 451	VW
8V0 698 451 B	VW
8V0 698 451 F	AUDI
8V0 698 451 H	AUDI
8V0 698 491 B	VW
JZW 698 451 AA	VW
L5Q 698 451 C	AUDI
L8V 698 451	AUDI



RB2099

E 9 90R-02A0111/3530



Ate - Teves

123.1x56.3x16.1
123.1x61.3x16.1

WVA	FMSI
22171	D1761-8990
22172	
25008	
25010	
22388	

Sin Filas



Trac.	CC	Kw	CV
-------	----	----	----



Front / Rear

AUDI

					[CAMBIADO]:Fastback (Compact executive car-D Segment)				
A3 III (8V1, 8VK) 04.12-									
1.0 TFSI (CHZD)		Gasolina	FWD	999	85	115	07.16-12.17	*	
1.2 TFSI (CJZA)		Gasolina	FWD	1197	77	105	02.13-05.15	*	
1.2 TFSI (CYVB)		Gasolina	FWD	1197	81	110	05.14-08.16	*	
1.4 TFSI (CMBA)		Gasolina	FWD	1395	90	122	04.12-05.14	*	
1.4 TFSI (CXSA)		Gasolina	FWD	1395	90	122	04.12-05.14	*	
1.4 TFSI (CXSB)		Gasolina	FWD	1395	92	125	05.14-08.16	*	
1.4 TFSI (CZCA)		Gasolina	FWD	1395	92	125	05.14-08.16	*	
1.4 TFSI (CPTA)		Gasolina	FWD	1395	103	140	03.13-08.16	*	
1.4 TSI (CZEA)		Gasolina	FWD	1395	110	150	05.14-12.17	*	
1.5 TFSI (DADA)		Gasolina	FWD	1498	110	150	05.17-12.17	*	
1.8 TFSI (CJSA)		Gasolina	FWD	1798	132	180	04.12-08.16	*	
1.8 TFSI quattro (CJSB)		Gasolina	4WD	1798	132	180	08.12-08.16	*	
2.0 TFSI (CZPB)		Gasolina	FWD	1984	140	190	05.16-12.17	*	
2.0 TFSI quattro (CZPB)		Gasolina	4WD	1984	140	190	05.16-12.17	*	
S3 quattro (CJXB)		Gasolina	4WD	1984	206	280	02.13-07.14	*	
S3 quattro (CJXF)		Gasolina	4WD	1984	210	286	05.14-08.16	*	
S3 quattro (CJXD)		Gasolina	4WD	1984	213	290	07.16-12.17	*	
S3 quattro (DJHB)		Gasolina	4WD	1984	213	290	07.16-12.17	*	
S3 quattro (CJXC)		Gasolina	4WD	1984	221	300	11.12-08.16	*	
S3 quattro (CJXG)		Gasolina	4WD	1984	228	310	06.16-12.17	*	
S3 quattro (DJHA)		Gasolina	4WD	1984	228	310	06.16-12.17	*	
1.6 TDI (CLHA)		Diesel	FWD	1598	77	105	10.12-05.15	*	
1.6 TDI (CRKB)		Diesel	FWD	1598	81	110	09.13-12.17	*	

LISTA DE APLICACIONES - BUYERS GUIDE

1.6 TDI (CXXB)		Diesel	FWD	1598	81	110	09.13-12.17	*
1.6 TDI (DBKA)		Diesel	FWD	1598	81	110	09.13-12.17	*
1.6 TDI (DDYA)		Diesel	FWD	1598	85	115	02.17-10.20	*
2.0 TDI (CRFA)		Diesel	FWD	1968	81	110	01.13-08.16	*
2.0 TDI (CRBD)		Diesel	FWD	1968	100	136	05.13-08.16	*
2.0 TDI (CRLC)		Diesel	FWD	1968	100	136	05.13-08.16	*
2.0 TDI (CRFC)		Diesel	FWD	1968	105	143	09.12-10.20	*
2.0 TDI (CRBC)		Diesel	FWD	1968	110	150	04.12-12.17	*
2.0 TDI (CRLB)		Diesel	FWD	1968	110	150	04.12-12.17	*
2.0 TDI (CRUA)		Diesel	FWD	1968	110	150	04.12-12.17	*
2.0 TDI (DBGA)		Diesel	FWD	1968	110	150	04.12-12.17	*
2.0 TDI (DCYA)		Diesel	FWD	1968	110	150	04.12-12.17	*
2.0 TDI (DEJA)		Diesel	FWD	1968	110	150	04.12-12.17	*
2.0 TDI quattro (CRBC)		Diesel	4WD	1968	110	150	10.12-12.17	*
2.0 TDI quattro (CRLB)		Diesel	4WD	1968	110	150	10.12-12.17	*
2.0 TDI quattro (DCYA)		Diesel	4WD	1968	110	150	10.12-12.17	*
2.0 TDI (CUNA)		Diesel	FWD	1968	135	184	05.13-12.17	*
2.0 TDI quattro (CUNA)		Diesel	4WD	1968	135	184	12.12-12.17	*
2.0 TDI quattro (DGCA)		Diesel	4WD	1968	135	184	12.12-12.17	*
A3 III (8V7, 8VE) 10.13-							Cabrio (Compact executive car-D Segment)	
1.4 TFSI (CZCC)		Gasolina	FWD	1395	85	115	02.16-10.20	*
1.4 TFSI (CXSB)		Gasolina	FWD	1395	92	125	02.14-07.16	*
1.4 TFSI (CZCA)		Gasolina	FWD	1395	92	125	02.14-07.16	*
1.4 TFSI (CPTA)		Gasolina	FWD	1395	103	140	10.13-05.14	*
1.4 TSI (CZEA)		Gasolina	FWD	1395	110	150	05.14-10.20	*
1.5 TFSI (DADA)		Gasolina	FWD	1498	110	150	05.17-10.18	*
35 TFSI (DADA)		Gasolina	FWD	1498	110	150	10.18-10.20	*
35 TFSI (DPCA)		Gasolina	FWD	1498	110	150	10.18-10.20	*
1.8 TFSI (CNSB)		Gasolina	FWD	1798	125	170	05.14-10.20	*
1.8 TFSI (CJSA)		Gasolina	FWD	1798	132	180	10.13-07.16	*
1.8 TFSI (CJSB)		Gasolina	FWD	1798	132	180	10.13-07.16	*
1.8 TFSI quattro (CJSB)		Gasolina	4WD	1798	132	180	03.14-07.16	*
2.0 TFSI (CZPB)		Gasolina	FWD	1984	140	190	05.16-10.20	*
2.0 TFSI quattro (CZPB)		Gasolina	4WD	1984	140	190	05.16-10.20	*
40 TFSI (DKZA)		Gasolina	FWD	1984	140	190	11.18-10.20	*
40 TFSI quattro (DKZA)		Gasolina	4WD	1984	140	190	11.18-10.20	*
2.0 TFSI quattro (CNTC)		Gasolina	4WD	1984	162	220	05.14-10.20	*
S3 quattro (CJXF)		Gasolina	4WD	1984	210	286	03.14-07.16	*
S3 quattro (DJHB)		Gasolina	4WD	1984	213	290	07.16-10.20	*
S3 quattro (CJXC)		Gasolina	4WD	1984	221	300	04.14-10.20	*
S3 quattro (DNUE)		Gasolina	4WD	1984	221	300	04.14-10.20	*
S3 quattro (DJHA)		Gasolina	4WD	1984	228	310	07.16-10.20	*
1.6 TDI (CRKB)		Diesel	FWD	1598	81	110	02.14-10.20	*
1.6 TDI (CXXB)		Diesel	FWD	1598	81	110	02.14-10.20	*
1.6 TDI (DDYA)		Diesel	FWD	1598	85	115	04.17-10.20	*
2.0 TDI (CRLC)		Diesel	FWD	1968	100	136	10.13-07.16	*
2.0 TDI (CRLB)		Diesel	FWD	1968	110	150	10.13-10.20	*
2.0 TDI (DCYA)		Diesel	FWD	1968	110	150	10.13-10.20	*
2.0 TDI quattro (CRLB)		Diesel	4WD	1968	110	150	03.14-10.20	*
2.0 TDI quattro (DCYA)		Diesel	4WD	1968	110	150	03.14-10.20	*
2.0 TDI (CUNA)		Diesel	FWD	1968	135	184	05.14-07.16	*

LISTA DE APLICACIONES - BUYERS GUIDE

2.0 TDI quattro (CUNA)		Diesel	4WD	1968	135	184	05.14-10.20	*
2.0 TDI quattro (DGCA)		Diesel	4WD	1968	135	184	05.14-10.20	*
							Sedán (Compact executive car-D Segment)	
A3 III (8VS, 8VM) 05.13-								
1.0 TFSI (CHZD)		Gasolina	FWD	999	85	115	07.16-10.20	*
30 TFSI (DKRF)		Gasolina	FWD	999	85	115	07.18-10.20	*
1.2 TFSI (CJZA)		Gasolina	FWD	1197	77	105	10.13-05.15	*
1.2 TFSI (CYVB)		Gasolina	FWD	1197	81	110	05.14-08.16	*
1.4 TFSI (CXSA)		Gasolina	FWD	1395	90	122	09.13-10.20	*
1.4 TFSI (CXSB)		Gasolina	FWD	1395	92	125	09.13-08.16	*
1.4 TFSI (CZCA)		Gasolina	FWD	1395	92	125	09.13-08.16	*
1.4 TFSI (CPTA)		Gasolina	FWD	1395	103	140	05.13-08.16	*
1.4 TSI (CZEA)		Gasolina	FWD	1395	110	150	05.14-10.20	*
1.5 TFSI (DADA)		Gasolina	FWD	1498	110	150	05.17-10.18	*
35 TFSI (DADA)		Gasolina	FWD	1498	110	150	10.18-10.20	*
35 TFSI (DPCA)		Gasolina	FWD	1498	110	150	10.18-10.20	*
1.8 TFSI (CNSB)		Gasolina	FWD	1798	125	170	11.13-10.20	*
1.8 TFSI (CJSA)		Gasolina	FWD	1798	132	180	05.13-08.16	*
1.8 TFSI (CJSB)		Gasolina	FWD	1798	132	180	05.13-08.16	*
1.8 TFSI quattro (CJSB)		Gasolina	4WD	1798	132	180	11.13-08.16	*
2.0 TFSI (CZPB)		Gasolina	FWD	1984	140	190	05.16-10.20	*
2.0 TFSI (DKZA)		Gasolina	FWD	1984	140	190	05.16-10.20	*
2.0 TFSI quattro (CZPB)		Gasolina	4WD	1984	140	190	05.16-10.20	*
2.0 TFSI quattro (DKZA)		Gasolina	4WD	1984	140	190	05.16-10.20	*
40 TFSI (DKZA)		Gasolina	FWD	1984	140	190	07.18-10.20	*
40 TFSI quattro (DKZA)		Gasolina	4WD	1984	140	190	07.18-10.20	*
2.0 TFSI (CHHB)		Gasolina	FWD	1984	162	220	11.15-10.20	*
2.0 TFSI (CNTC)		Gasolina	FWD	1984	162	220	11.15-10.20	*
S3 quattro (CJXB)		Gasolina	4WD	1984	206	280	10.13-05.14	*
S3 quattro (CJXF)		Gasolina	4WD	1984	210	286	05.14-08.16	*
S3 quattro (CJXD)		Gasolina	4WD	1984	213	290	08.16-10.20	*
S3 quattro (DJHB)		Gasolina	4WD	1984	213	290	08.16-10.20	*
S3 quattro (CYFB)		Gasolina	4WD	1984	215	292	05.14-10.20	*
S3 quattro (CJXC)		Gasolina	4WD	1984	221	300	10.13-10.20	*
S3 quattro (DNUE)		Gasolina	4WD	1984	221	300	10.13-10.20	*
S3 quattro (CJXG)		Gasolina	4WD	1984	228	310	06.16-10.20	*
S3 quattro (DJHA)		Gasolina	4WD	1984	228	310	06.16-10.20	*
RS3 quattro (DAZA)		Gasolina	4WD	2480	294	400	04.17-10.20	*
RS3 quattro (DNWA)		Gasolina	4WD	2480	294	400	04.17-10.20	*
1.6 TDI (CLHA)		Diesel	FWD	1598	77	105	09.13-05.15	*
1.6 TDI (CRKB)		Diesel	FWD	1598	81	110	05.14-10.20	*
1.6 TDI (CXXB)		Diesel	FWD	1598	81	110	05.14-10.20	*
1.6 TDI (DBKA)		Diesel	FWD	1598	81	110	05.14-10.20	*
1.6 TDI quattro (CXXB)		Diesel	4WD	1598	81	110	05.15-08.16	*
1.6 TDI (DDYA)		Diesel	FWD	1598	85	115	03.17-10.20	*
30 TDI (DGTE)		Diesel	FWD	1598	85	115	07.18-10.20	*
2.0 TDI (CRFA)		Diesel	FWD	1968	81	110	05.13-10.20	*
2.0 TDI (DEJB)		Diesel	FWD	1968	81	110	05.13-10.20	*
2.0 TDI (CRBD)		Diesel	FWD	1968	100	136	09.13-08.16	*
2.0 TDI (CRLC)		Diesel	FWD	1968	100	136	09.13-08.16	*
2.0 TDI (CRFC)		Diesel	FWD	1968	105	143	10.13-10.20	*
2.0 TDI (CRBC)		Diesel	FWD	1968	110	150	05.13-10.20	*

LISTA DE APLICACIONES - BUYERS GUIDE

2.0 TDI (CRLB)		Diesel	FWD	1968	110	150	05.13-10.20	*
2.0 TDI (CRUA)		Diesel	FWD	1968	110	150	05.13-10.20	*
2.0 TDI (DBGA)		Diesel	FWD	1968	110	150	05.13-10.20	*
2.0 TDI (DCYA)		Diesel	FWD	1968	110	150	05.13-10.20	*
2.0 TDI (DEJA)		Diesel	FWD	1968	110	150	05.13-10.20	*
2.0 TDI (DFGA)		Diesel	FWD	1968	110	150	05.13-10.20	*
2.0 TDI quattro (CRBC)		Diesel	4WD	1968	110	150	10.13-10.20	*
2.0 TDI quattro (CRLB)		Diesel	4WD	1968	110	150	10.13-10.20	*
2.0 TDI quattro (DCYA)		Diesel	4WD	1968	110	150	10.13-10.20	*
35 TDI (DFGA)		Diesel	FWD	1968	110	150	07.18-10.20	*
2.0 TDI (CUNA)		Diesel	FWD	1968	135	184	05.14-07.18	*
2.0 TDI quattro (CUNA)		Diesel	4WD	1968	135	184	05.14-07.18	*
2.0 TDI quattro (DGCA)		Diesel	4WD	1968	135	184	05.14-07.18	*
40 TDI quattro (DJGA)		Diesel	4WD	1968	135	184	07.18-07.19	*
A3 III Sportback (8VA, 8VF) 09.12-							[CAMBIADO]:Fastback (Compact executive car-D Segment)	
1.0 TFSI (CHZD)		Gasolina	FWD	999	85	115	07.16-10.20	*
1.0 TFSI (DKRF)		Gasolina	FWD	999	85	115	07.16-10.20	*
30 TFSI (DKRF)		Gasolina	FWD	999	85	116	07.18-10.20	*
1.2 TFSI (CJZA)		Gasolina	FWD	1197	77	105	05.13-05.15	*
1.2 TFSI (CYVB)		Gasolina	FWD	1197	81	110	05.14-08.16	*
1.4 TFSI (CMBA)		Gasolina	FWD	1395	90	122	09.12-10.20	*
1.4 TFSI (CXSA)		Gasolina	FWD	1395	90	122	09.12-10.20	*
1.4 TFSI (CXSB)		Gasolina	FWD	1395	92	125	05.14-08.16	*
1.4 TFSI (CZCA)		Gasolina	FWD	1395	92	125	05.14-08.16	*
1.4 TFSI (CPTA)		Gasolina	FWD	1395	103	140	03.13-11.14	*
1.4 TSI (CZEA)		Gasolina	FWD	1395	110	150	05.14-10.20	*
1.5 TFSI (DADA)		Gasolina	FWD	1498	110	150	05.17-10.18	*
35 TFSI (DADA)		Gasolina	FWD	1498	110	150	10.18-10.20	*
35 TFSI (DPCA)		Gasolina	FWD	1498	110	150	10.18-10.20	*
1.8 TFSI (CJSA)		Gasolina	FWD	1798	132	180	09.12-08.16	*
1.8 TFSI (CJSB)		Gasolina	FWD	1798	132	180	09.12-08.16	*
1.8 TFSI quattro (CJSB)		Gasolina	4WD	1798	132	180	05.13-08.16	*
2.0 TFSI (CZPB)		Gasolina	FWD	1984	140	190	05.16-10.20	*
2.0 TFSI (DKZA)		Gasolina	FWD	1984	140	190	05.16-10.20	*
2.0 TFSI quattro (CZPB)		Gasolina	4WD	1984	140	190	05.16-10.20	*
2.0 TFSI quattro (DKZA)		Gasolina	4WD	1984	140	190	05.16-10.20	*
40 TFSI (DKZA)		Gasolina	FWD	1984	140	190	07.18-10.20	*
40 TFSI quattro (DKZA)		Gasolina	4WD	1984	140	190	07.18-10.20	*
2.0 45 TFSI		Gasolina	FWD	1984	162	220	02.15-08.16	*
S3 quattro (CJXB)		Gasolina	4WD	1984	206	280	05.13-08.16	*
S3 quattro (CJXF)		Gasolina	4WD	1984	210	286	05.14-08.16	*
S3 quattro (CJXD)		Gasolina	4WD	1984	213	290	07.16-10.20	*
S3 quattro (DJHB)		Gasolina	4WD	1984	213	290	07.16-10.20	*
S3 quattro (CJXC)		Gasolina	4WD	1984	221	300	11.12-10.20	*
S3 quattro (DNUE)		Gasolina	4WD	1984	221	300	11.12-10.20	*
S3 quattro (CJXG)		Gasolina	4WD	1984	228	310	06.16-10.20	*
S3 quattro (DJHA)		Gasolina	4WD	1984	228	310	06.16-10.20	*
1.4 TFSI g-tron (CPWA)		Gasol./Gas (CNG)	FWD	1395	81	110	11.13-10.20	*
30 g-tron (DHFA)		Gasol./Gas (CNG)	FWD	1498	96	131	11.18-10.20	*

LISTA DE APLICACIONES - BUYERS GUIDE

1.4 TFSI e-tron (CUKB)		Gasol./el éc.	FWD	1395	110	150	05.14-10.20	*	
1.4 TFSI e-tron (CXUA)		Gasol./el éc.	FWD	1395	110	150	05.14-10.20	*	
1.4 TFSI e-tron (CXUA)		Gasol./el éc.	FWD	1395	150	204	05.14-10.20	*	
40 e-tron		Gasol./el éc.	FWD	1395	150	204	07.18-10.20	*	
1.6 TDI (CLHA)		Diesel	FWD	1598	77	105	10.12-12.16	*	
1.6 TDI (CRKB)		Diesel	FWD	1598	81	110	09.13-10.20	*	
1.6 TDI (CXXB)		Diesel	FWD	1598	81	110	09.13-10.20	*	
1.6 TDI (DBKA)		Diesel	FWD	1598	81	110	09.13-10.20	*	
1.6 TDI quattro (CXXB)		Diesel	4WD	1598	81	110	05.15-08.16	*	
1.6 TDI (DDYA)		Diesel	FWD	1598	85	115	02.17-10.20	*	
30 TDI (DGTE)		Diesel	FWD	1598	85	115	07.18-10.20	*	
2.0 TDI (CRFA)		Diesel	FWD	1968	81	110	05.13-10.20	*	
2.0 TDI (DEJB)		Diesel	FWD	1968	81	110	05.13-10.20	*	
2.0 TDI (CRBD)		Diesel	FWD	1968	100	136	05.13-08.16	*	
2.0 TDI (CRLC)		Diesel	FWD	1968	100	136	05.13-08.16	*	
2.0 TDI (CRFC)		Diesel	FWD	1968	105	143	03.13-10.20	*	
2.0 TDI (CRBC)		Diesel	FWD	1968	110	150	09.12-10.20	*	
2.0 TDI (CRLB)		Diesel	FWD	1968	110	150	09.12-10.20	*	
2.0 TDI (CRUA)		Diesel	FWD	1968	110	150	09.12-10.20	*	
2.0 TDI (DBGA)		Diesel	FWD	1968	110	150	09.12-10.20	*	
2.0 TDI (DCYA)		Diesel	FWD	1968	110	150	09.12-10.20	*	
2.0 TDI (DEJA)		Diesel	FWD	1968	110	150	09.12-10.20	*	
2.0 TDI (DFGA)		Diesel	FWD	1968	110	150	09.12-10.20	*	
2.0 TDI quattro (CRBC)		Diesel	4WD	1968	110	150	02.13-10.20	*	
2.0 TDI quattro (CRLB)		Diesel	4WD	1968	110	150	02.13-10.20	*	
2.0 TDI quattro (DCYA)		Diesel	4WD	1968	110	150	02.13-10.20	*	
35 TDI (DFGA)		Diesel	FWD	1968	110	150	07.18-10.20	*	
2.0 TDI (CUNA)		Diesel	FWD	1968	135	184	05.13-07.18	*	
2.0 TDI quattro (CUNA)		Diesel	4WD	1968	135	184	05.13-07.18	*	
2.0 TDI quattro (DGCA)		Diesel	4WD	1968	135	184	05.13-07.18	*	
40 TDI quattro (DJGA)		Diesel	4WD	1968	135	184	07.18-10.20	*	
A3 IV Sportback (8YA, 8YF) 11.19-							[CAMBIADO]:Fastback (Compact executive car-D Segment)		
30 g-tron (DHFA)		Gasol./G as (CNG)	FWD	1498	96	131	07.20-	*	
Q2 (GAB, GAG) 06.16-							SUV (Compact SUV-J Segment)		
30 TFSI		Gasolina	FWD	999	81	110	08.20-	*	
1.0 TFSI (CHZJ)		Gasolina	FWD	999	85	115	10.16-10.20	*	
30 TFSI (DKRF)		Gasolina	FWD	999	85	116	07.18-	*	
1.4		Gasolina	FWD	1395	110	150	06.21-	*	
1.4 TFSI (CZEA)		Gasolina	FWD	1395	110	150	06.16-	*	
1.4 TFSI quattro		Gasolina	4WD	1395	110	150	09.16-	*	
35 TFSI (DADA)		Gasolina	FWD	1498	110	150	07.18-	*	
35 TFSI (DPCA)		Gasolina	FWD	1498	110	150	07.18-	*	
2.0 TFSI quattro		Gasolina	4WD	1984	140	190	05.17-	*	
2.0 TFSI quattro (CZPB)		Gasolina	4WD	1984	140	190	05.17-	*	
2.0 TFSI quattro (DKZA)		Gasolina	4WD	1984	140	190	05.17-	*	
40 TFSI quattro (DKZA)		Gasolina	4WD	1984	140	190	09.18-	*	
SQ2 TFSI quattro (DNUE)		Gasolina	4WD	1984	221	300	08.18-	*	
1.6 TDI (DDYA)		Diesel	FWD	1598	85	115	06.16-07.18	*	

LISTA DE APLICACIONES - BUYERS GUIDE

30 TDI (DGTE)		Diesel	FWD	1598	85	115	07.18-10.20	*	
30 TDI		Diesel	FWD	1968	85	116	02.21-	*	
2.0 TDI (DFGA)		Diesel	FWD	1968	110	150	09.16-	*	
2.0 TDI quattro (DFGA)		Diesel	4WD	1968	110	150	09.16-	*	
35 TDI (DFGA)		Diesel	FWD	1968	110	150	09.16-	*	
35 TDI quattro (DFGA)		Diesel	4WD	1968	110	150	01.19-	*	
2.0 TDI quattro (DFHA)		Diesel	4WD	1968	140	190	07.16-08.18	*	
TT III (FV9, FVR) 11.14-							Cabrió (Sports car-S Segment)		
1.8 TFSI (CJSA)		Gasolina	FWD	1798	132	180	07.15-08.18	*	
1.8 TFSI (CJSB)		Gasolina	FWD	1798	132	180	07.15-08.18	*	
40 TFSI (DKZB)		Gasolina	FWD	1984	145	197	07.18-	*	
2.0 TFSI quattro (CNTC)		Gasolina	4WD	1984	162	220	04.15-	*	
2.0 TFSI (CHHC)		Gasolina	FWD	1984	169	230	11.14-	*	
2.0 TFSI quattro (CHHC)		Gasolina	4WD	1984	169	230	11.14-	*	
45 TFSI (DKTB)		Gasolina	FWD	1984	180	245	07.18-	*	
45 TFSI quattro (DKTB)		Gasolina	4WD	1984	180	245	07.18-	*	
2.0 TTS TFSI quattro (CJXF)		Gasolina	4WD	1984	210	286	02.15-	*	
2.0 TFSI		Gasolina	FWD	1984	215	292	07.15-	*	
2.0 TTS TFSI quattro (DNUF)		Gasolina	4WD	1984	225	306	08.18-	*	
2.0 TTS TFSI quattro (CJXG)		Gasolina	4WD	1984	228	310	11.14-	*	
TTS TFSI quattro		Gasolina	4WD	1984	235	320	11.20-	*	
2.5 RS TFSI quattro (DAZA)		Gasolina	4WD	2480	294	400	05.16-	*	
2.5 RS TFSI quattro (DNWA)		Gasolina	4WD	2480	294	400	05.16-	*	
2.0 TDI (CUNA)		Diesel	FWD	1968	135	184	11.14-	*	
2.0 TDI quattro (CUNA)		Diesel	4WD	1968	135	184	01.17-	*	
TT III (FV3, FVP) 07.14-							Coupé (Sports car-S Segment)		
1.8 TFSI (CJSA)		Gasolina	FWD	1798	132	180	07.15-08.18	*	
1.8 TFSI (CJSB)		Gasolina	FWD	1798	132	180	07.15-08.18	*	
40 TFSI (DKZB)		Gasolina	FWD	1984	145	197	07.18-	*	
2.0 TFSI quattro (CNTC)		Gasolina	4WD	1984	162	220	04.15-	*	
2.0 TFSI (CHHC)		Gasolina	FWD	1984	169	230	07.14-	*	
2.0 TFSI quattro (CHHC)		Gasolina	4WD	1984	169	230	07.14-	*	
45 TFSI (DKTB)		Gasolina	FWD	1984	180	245	07.18-	*	
45 TFSI quattro (DKTB)		Gasolina	4WD	1984	180	245	07.18-	*	
2.0 TTS TFSI quattro (CJXF)		Gasolina	4WD	1984	210	286	02.15-	*	
2.0 TTS TFSI quattro (CYFB)		Gasolina	4WD	1984	215	292	07.15-	*	
2.0 TTS TSI quattro (DNUF)		Gasolina	4WD	1984	225	306	08.18-	*	
2.0 TTS quattro (CJXG)		Gasolina	4WD	1984	228	310	11.14-	*	
TTS TFSI quattro		Gasolina	4WD	1984	235	320	01.21-	*	
2.5 RS TFSI quattro (DAZA)		Gasolina	4WD	2480	294	400	05.16-	*	
2.5 RS TFSI quattro (DNWA)		Gasolina	4WD	2480	294	400	05.16-	*	
2.0 TDI (CUNA)		Diesel	FWD	1968	135	184	07.14-	*	
2.0 TDI quattro (CUNA)		Diesel	4WD	1968	135	184	01.17-	*	
AUDI (FAW)									
Q2L (G1I, G1U) 10.18-							SUV (Compact SUV-J Segment)		
35 TFSI (DJSA)		Gasolina	FWD	1395	110	150	10.18-	*	
e-tron (EBDA)		Eléctrico	FWD		100	136	11.19-	*	
CUPRA									
ATECA (KH7, KHP, KBP) 09.18-							SUV (Compact SUV-J Segment)		
1.5 TSI		Gasolina	FWD	1498	110	150	07.23-	*	

LISTA DE APLICACIONES - BUYERS GUIDE

2.0 TSI 4Drive	Gasolina	4WD	1984	140	190	06.23-	*
JETTA							
VS 5 (0L1, 0L2) 09.19-				SUV (Compact SUV-J Segment)			
280TSi (DJSA)	Gasolina	FWD	1395	110	150	09.19-	*
R AUTO							
ER6 08.20-				Sedán ()			
70D electric (TX204XS1152)	Eléctrico	FWD		135	184	08.20-	*
ROEWE (SAIC)							
ei6 PLUS 07.19-				Sedán ()			
50T Plus-in Hybrid (15E4E)	Gasol./el éc.	FWD	1490	124	169	07.19-	*
i5 10.18-				Sedán (Compact car-C Segment)			
1.5 (15E4E)	Gasolina	FWD	1490	124	169	10.18-	*
1.5	Gasolina	FWD	1498	888	120	10.18-	*
i6 PLUS 03.19-				Sedán ()			
1.6 (16S4C)	Gasolina	FWD	1598	92	125	03.19-	*
SEAT							
ATECA (KH7, KHP) 04.16-				SUV (Compact SUV-J Segment)			
1.0 TSI	Gasolina	FWD	999	81	110	09.20-	*
1.0 TSI (CHZJ)	Gasolina	FWD	999	85	116	05.16-	*
1.0 TSI (DKRF)	Gasolina	FWD	999	85	116	05.16-	*
1.4 TSI (CZEA)	Gasolina	FWD	1395	110	150	06.16-	*
1.4 TSI 4Drive (CZEA)	Gasolina	4WD	1395	110	150	06.16-	*
1.5 TSI (DADA)	Gasolina	FWD	1498	110	150	07.18-	*
1.5 TSI (DPCA)	Gasolina	FWD	1498	110	150	07.18-	*
1.5 TSI 4Drive (DADA)	Gasolina	4WD	1498	110	150	07.18-	*
1.5 TSI 4Drive (DPCA)	Gasolina	4WD	1498	110	150	07.18-	*
2.0 TSI 4Drive (CZPB)	Gasolina	4WD	1984	140	190	05.17-	*
2.0 TSI 4Drive (DKZA)	Gasolina	4WD	1984	140	190	05.17-	*
1.6 TDI (DDYA)	Diesel	FWD	1598	85	115	04.16-	*
1.6 TDI (DGTE)	Diesel	FWD	1598	85	115	04.16-	*
2.0 TDI (CRVA)	Diesel	FWD	1968	81	110	10.16-	*
2.0 TDI	Diesel	FWD	1968	85	116	01.21-	*
2.0 TDI (CRVC)	Diesel	FWD	1968	105	143	10.16-	*
2.0 TDI (DFFA)	Diesel	FWD	1968	110	150	04.16-	*
2.0 TDI 4Drive (DFFA)	Diesel	4WD	1968	110	150	04.16-	*
2.0 TDI 4Drive (DFHA)	Diesel	4WD	1968	140	190	06.16-	*
LEON III (5F1) 09.12-				[CAMBIADO]:Fastback (Compact car-C Segment)			
1.0 TSI (DKLB)	Gasolina	FWD	999	63	86	09.18-08.20	*
1.0 TSI (CHZD)	Gasolina	FWD	999	85	115	05.15-08.20	*
1.0 TSI (DKRF)	Gasolina	FWD	999	85	115	05.15-08.20	*
1.2 TSI (CJZB)	Gasolina	FWD	1197	63	86	12.12-08.18	*
1.2 TSI (CYVA)	Gasolina	FWD	1197	63	86	12.12-08.18	*
1.2 TSI (CJZA)	Gasolina	FWD	1197	77	105	01.13-08.20	*
1.2 TSI (CYVB)	Gasolina	FWD	1197	81	110	04.14-08.20	*
1.4 TSI (CMBA)	Gasolina	FWD	1395	90	122	11.12-10.16	*
1.4 TSI (CXSA)	Gasolina	FWD	1395	90	122	11.12-10.16	*
1.4 TSI (CZCA)	Gasolina	FWD	1395	92	125	05.14-08.20	*
1.4 TSI (CHPA)	Gasolina	FWD	1395	103	140	09.12-08.20	*

LISTA DE APLICACIONES - BUYERS GUIDE

1.4 TSI (CPTA)		Gasolina	FWD	1395	103	140	09.12-08.20	*
1.4 TSI (CZDA)		Gasolina	FWD	1395	110	150	05.14-08.20	*
1.4 TSI (CZEA)		Gasolina	FWD	1395	110	150	05.14-08.20	*
1.5 TSI (DACA)		Gasolina	FWD	1495	96	130	09.18-08.20	*
1.5 TSI (DPBA)		Gasolina	FWD	1495	96	130	09.18-08.20	*
1.5 TSI (DADA)		Gasolina	FWD	1498	110	150	09.18-08.20	*
1.5 TSI (DPCA)		Gasolina	FWD	1498	110	150	09.18-08.20	*
1.8 TSI (CJSA)		Gasolina	FWD	1798	132	180	02.13-08.18	*
2.0 TSI (DKZA)		Gasolina	FWD	1984	140	190	09.18-08.20	*
2.0 Cupra (CJXE)		Gasolina	FWD	1984	195	265	10.13-08.20	*
2.0 Cupra (CJXA)		Gasolina	FWD	1984	206	280	10.13-08.20	*
2.0 Cupra (CJXH)		Gasolina	FWD	1984	213	290	10.15-08.20	*
2.0 Cupra (DNUC)		Gasolina	FWD	1984	213	290	10.15-08.20	*
2.0 Cupra (CJXC)		Gasolina	FWD	1984	221	300	01.17-08.18	*
2.0 Cupra R (CJXG)		Gasolina	FWD	1984	228	310	11.17-08.18	*
1.4 TGI (CPWA)		Gasol./Gas (CNG)	FWD	1395	81	110	02.13-08.18	*
1.5 TGI (DHFA)		Gasol./Gas (CNG)	FWD	1498	96	131	10.18-08.20	*
1.6 TDI (CLHB)		Diesel	FWD	1598	66	90	11.12-08.18	*
1.6 TDI (CXXA)		Diesel	FWD	1598	66	90	11.12-08.18	*
1.6 TDI (DDYB)		Diesel	FWD	1598	66	90	11.12-08.18	*
1.6 TDI (CLHA)		Diesel	FWD	1598	77	105	09.12-08.20	*
1.6 TDI (CRKB)		Diesel	FWD	1598	81	110	09.13-08.20	*
1.6 TDI (CXXB)		Diesel	FWD	1598	81	110	09.13-08.20	*
1.6 TDI (DBKA)		Diesel	FWD	1598	81	110	09.13-08.20	*
1.6 TDI (DDYA)		Diesel	FWD	1598	85	115	11.16-08.20	*
1.6 TDI (DGTE)		Diesel	FWD	1598	85	115	11.16-08.20	*
2.0 TDI (CRLD)		Diesel	FWD	1968	81	110	05.13-08.20	*
2.0 TDI (CRVA)		Diesel	FWD	1968	81	110	05.13-08.20	*
2.0 TDI (CRVC)		Diesel	FWD	1968	105	143	05.13-08.20	*
2.0 TDI (CKFC)		Diesel	FWD	1968	110	150	10.12-08.20	*
2.0 TDI (CRMB)		Diesel	FWD	1968	110	150	10.12-08.20	*
2.0 TDI (DFFA)		Diesel	FWD	1968	110	150	10.12-08.20	*
2.0 TDI (CUNA)		Diesel	FWD	1968	135	184	09.12-08.20	*
2.0 TDI (CUPA)		Diesel	FWD	1968	135	184	09.12-08.20	*
2.0 TDI (DJGA)		Diesel	FWD	1968	135	184	09.12-08.20	*
LEON III (5F1) 09.12-						Furgón/hatchback (Compact car-C Segment)		
1.0 TSI (CHZD)		Gasolina	FWD	999	85	115	05.15-08.20	*
1.2 TSI (CJZB)		Gasolina	FWD	1197	63	86	01.13-08.18	*
1.2 TSI (CYVA)		Gasolina	FWD	1197	63	86	01.13-08.18	*
1.2 TSI (CYVB)		Gasolina	FWD	1197	81	110	04.14-08.18	*
1.4 TSI (CMBA)		Gasolina	FWD	1395	90	122	09.12-10.16	*
1.4 TSI (CXSA)		Gasolina	FWD	1395	90	122	09.12-10.16	*
1.4 TSI (CHPA)		Gasolina	FWD	1395	103	140	09.12-10.16	*
1.4 TSI (CPTA)		Gasolina	FWD	1395	103	140	09.12-10.16	*
1.4 TSI (CZEA)		Gasolina	FWD	1395	110	150	05.14-08.20	*
1.8 TFSI (CJSA)		Gasolina	FWD	1798	132	180	02.13-08.18	*
2.0 Cupra (CJXH)		Gasolina	FWD	1984	213	290	09.15-10.16	*
2.0 Cupra (CJXC)		Gasolina	FWD	1984	221	300	01.17-08.18	*
1.6 TDI (CLHB)		Diesel	FWD	1598	66	90	11.12-10.16	*

LISTA DE APLICACIONES - BUYERS GUIDE

1.6 TDI (CLHA)		Diesel	FWD	1598	77	105	09.12-10.16	*
1.6 TDI (CRKB)		Diesel	FWD	1598	81	110	09.13-10.16	*
1.6 TDI (CXXB)		Diesel	FWD	1598	81	110	09.13-10.16	*
1.6 TDI (DBKA)		Diesel	FWD	1598	81	110	09.13-10.16	*
1.6 TDI (DDYA)		Diesel	FWD	1598	85	115	11.16-08.20	*
2.0 TDI (CKFC)		Diesel	FWD	1968	110	150	10.12-08.18	*
2.0 TDI (CRMB)		Diesel	FWD	1968	110	150	10.12-08.18	*
2.0 TDI (CUNA)		Diesel	FWD	1968	135	184	02.13-08.18	*
2.0 TDI (CUPA)		Diesel	FWD	1968	135	184	02.13-08.18	*
LEON III SC (5F5) 01.13-				Coupé (Compact car-C Segment)				
1.0 TSI (CHZD)		Gasolina	FWD	999	85	115	05.15-08.18	*
1.2 TSI (CJZB)		Gasolina	FWD	1197	63	86	01.13-08.18	*
1.2 TSI (CYVA)		Gasolina	FWD	1197	63	86	01.13-08.18	*
1.2 TSI (CJZA)		Gasolina	FWD	1197	77	105	02.13-04.14	*
1.2 TSI (CYVB)		Gasolina	FWD	1197	81	110	05.14-08.18	*
1.4 TSI (CMBA)		Gasolina	FWD	1395	90	122	02.13-06.15	*
1.4 TSI (CXSA)		Gasolina	FWD	1395	90	122	02.13-06.15	*
1.4 TSI (CZCA)		Gasolina	FWD	1395	92	125	05.14-08.18	*
1.4 TSI (CHPA)		Gasolina	FWD	1395	103	140	02.13-11.16	*
1.4 TSI (CPTA)		Gasolina	FWD	1395	103	140	02.13-11.16	*
1.4 TSI (CZEA)		Gasolina	FWD	1395	110	150	05.14-08.18	*
1.8 TSI (CJSA)		Gasolina	FWD	1798	132	180	02.13-08.18	*
2.0 Cupra (CJXE)		Gasolina	FWD	1984	195	265	10.13-11.16	*
2.0 Cupra (CJXA)		Gasolina	FWD	1984	206	280	10.13-11.16	*
2.0 Cupra (CJXH)		Gasolina	FWD	1984	213	290	10.15-11.16	*
2.0 Cupra (CJXC)		Gasolina	FWD	1984	221	300	01.17-08.18	*
1.6 TDI (CLHB)		Diesel	FWD	1598	66	90	02.13-08.18	*
1.6 TDI (CXXA)		Diesel	FWD	1598	66	90	02.13-08.18	*
1.6 TDI (DDYB)		Diesel	FWD	1598	66	90	02.13-08.18	*
1.6 TDI (CLHA)		Diesel	FWD	1598	77	105	02.13-08.18	*
1.6 TDI (CRKB)		Diesel	FWD	1598	81	110	09.13-11.16	*
1.6 TDI (CXXB)		Diesel	FWD	1598	81	110	09.13-11.16	*
1.6 TDI (DDYA)		Diesel	FWD	1598	85	115	11.16-08.18	*
2.0 TDI (CRVA)		Diesel	FWD	1968	81	110	02.13-08.18	*
2.0 TDI (CRVC)		Diesel	FWD	1968	105	143	05.13-08.18	*
2.0 TDI (CKFC)		Diesel	FWD	1968	110	150	02.13-08.18	*
2.0 TDI (CRMB)		Diesel	FWD	1968	110	150	02.13-08.18	*
2.0 TDI (CUNA)		Diesel	FWD	1968	135	184	03.13-08.18	*
2.0 TDI (CUPA)		Diesel	FWD	1968	135	184	03.13-08.18	*
LEON III ST (5F8) 09.12-				[CAMBIADO]:Break (Compact car-C Segment)				
1.0 TSI (DKLB)		Gasolina	FWD	999	63	86	09.18-08.20	*
1.0 TSI (CHZD)		Gasolina	FWD	999	85	115	05.15-08.20	*
1.0 TSI (DKRF)		Gasolina	FWD	999	85	115	05.15-08.20	*
1.2 TSI (CJZB)		Gasolina	FWD	1197	63	86	11.13-08.18	*
1.2 TSI (CYVA)		Gasolina	FWD	1197	63	86	11.13-08.18	*
1.2 TSI (CJZA)		Gasolina	FWD	1197	77	105	08.13-08.20	*
1.2 TSI (CYVB)		Gasolina	FWD	1197	81	110	05.14-08.20	*
1.4 TSI (CMBA)		Gasolina	FWD	1395	90	122	09.12-06.15	*
1.4 TSI (CXSA)		Gasolina	FWD	1395	90	122	09.12-06.15	*
1.4 TSI (CZCA)		Gasolina	FWD	1395	92	125	05.14-08.18	*

LISTA DE APLICACIONES - BUYERS GUIDE

1.4 TSI (CHPA)		Gasolina	FWD	1395	103	140	10.13-08.20	*
1.4 TSI (CPTA)		Gasolina	FWD	1395	103	140	10.13-08.20	*
1.4 TSI (CZEA)		Gasolina	FWD	1395	110	150	05.14-08.20	*
1.5 TSI (DACA)		Gasolina	FWD	1495	96	130	09.18-08.20	*
1.5 TSI (DPBA)		Gasolina	FWD	1495	96	130	09.18-08.20	*
1.5 TSI (DADA)		Gasolina	FWD	1498	110	150	09.18-08.20	*
1.5 TSI (DPCA)		Gasolina	FWD	1498	110	150	09.18-08.20	*
1.8 TSI (CJSA)		Gasolina	FWD	1798	132	180	10.13-08.18	*
1.8 TSI 4Drive (CJSA)		Gasolina	4WD	1798	132	180	11.14-08.18	*
1.8 TSI 4Drive (CJSB)		Gasolina	4WD	1798	132	180	11.14-08.18	*
2.0 TSI (DKZA)		Gasolina	FWD	1984	140	190	07.18-08.20	*
2.0 TSI 4Drive (DKZA)		Gasolina	4WD	1984	140	190	09.18-08.20	*
2.0 Cupra (CJXE)		Gasolina	FWD	1984	195	265	10.13-08.20	*
2.0 Cupra (CJXA)		Gasolina	FWD	1984	206	280	10.13-08.20	*
2.0 Cupra (CJXH)		Gasolina	FWD	1984	213	290	10.15-08.20	*
2.0 Cupra (DNUC)		Gasolina	FWD	1984	213	290	10.15-08.20	*
2.0 Cupra (CJXC)		Gasolina	FWD	1984	221	300	11.16-08.18	*
2.0 Cupra 4Drive (CJXC)		Gasolina	4WD	1984	221	300	11.16-08.20	*
2.0 Cupra 4Drive (DNUE)		Gasolina	4WD	1984	221	300	11.16-08.20	*
1.4 TGI (CPWA)		Gasol./Gas (CNG)	FWD	1395	81	110	10.13-08.18	*
1.5 TGI (DHFA)		Gasol./Gas (CNG)	FWD	1498	96	131	10.18-08.20	*
1.6 TDI (CLHB)		Diesel	FWD	1598	66	90	11.13-08.18	*
1.6 TDI (CXXA)		Diesel	FWD	1598	66	90	11.13-08.18	*
1.6 TDI (DDYB)		Diesel	FWD	1598	66	90	11.13-08.18	*
1.6 TDI (CLHA)		Diesel	FWD	1598	77	105	10.13-08.20	*
1.6 TDI 4Drive (CLHA)		Diesel	4WD	1598	77	105	04.14-08.20	*
1.6 TDI (CRKB)		Diesel	FWD	1598	81	110	09.13-08.20	*
1.6 TDI (CXXB)		Diesel	FWD	1598	81	110	09.13-08.20	*
1.6 TDI (DBKA)		Diesel	FWD	1598	81	110	09.13-08.20	*
1.6 TDI 4Drive (CXXB)		Diesel	4WD	1598	81	110	11.14-08.20	*
1.6 TDI (DDYA)		Diesel	FWD	1598	85	115	11.16-08.20	*
1.6 TDI (DGTE)		Diesel	FWD	1598	85	115	11.16-08.20	*
1.6 TDI 4Drive (DGTE)		Diesel	4WD	1598	85	115	07.18-08.20	*
2.0 TDI (CRVA)		Diesel	FWD	1968	81	110	02.13-12.16	*
2.0 TDI (CRVC)		Diesel	FWD	1968	105	143	10.13-08.18	*
2.0 TDI (CKFC)		Diesel	FWD	1968	110	150	10.13-08.20	*
2.0 TDI (CRBC)		Diesel	FWD	1968	110	150	10.13-08.20	*
2.0 TDI (CRLB)		Diesel	FWD	1968	110	150	10.13-08.20	*
2.0 TDI (CRMB)		Diesel	FWD	1968	110	150	10.13-08.20	*
2.0 TDI (DFFA)		Diesel	FWD	1968	110	150	10.13-08.20	*
2.0 TDI (DFGA)		Diesel	FWD	1968	110	150	10.13-08.20	*
2.0 TDI 4Drive (CRBC)		Diesel	4WD	1968	110	150	04.14-08.20	*
2.0 TDI 4Drive (CRLB)		Diesel	4WD	1968	110	150	04.14-08.20	*
2.0 TDI 4Drive (CRMB)		Diesel	4WD	1968	110	150	04.14-08.20	*
2.0 TDI 4Drive (DCYA)		Diesel	4WD	1968	110	150	04.14-08.20	*
2.0 TDI 4Drive (DFGA)		Diesel	4WD	1968	110	150	04.14-08.20	*
2.0 TDI (CUNA)		Diesel	FWD	1968	135	184	08.13-08.20	*
2.0 TDI (CUPA)		Diesel	FWD	1968	135	184	08.13-08.20	*
2.0 TDI (DJGA)		Diesel	FWD	1968	135	184	08.13-08.20	*

LISTA DE APLICACIONES - BUYERS GUIDE

2.0 TDI 4Drive (CUNA)		Diesel	4WD	1968	135	184	11.14-08.18	*	
2.0 TDI 4Drive (DJGA)		Diesel	4WD	1968	135	184	11.14-08.18	*	
LEON III ST (5F8) 01.13-							[CAMBIADO]:Furgón/Break (Compact car-C Segment)		
1.0 TSI (CHZD)		Gasolina	FWD	999	85	115	05.15-08.20	*	
1.2 TSI (CJZB)		Gasolina	FWD	1197	63	86	01.13-08.18	*	
1.2 TSI (CYVA)		Gasolina	FWD	1197	63	86	01.13-08.18	*	
1.2 TSI (CYVB)		Gasolina	FWD	1197	81	110	05.14-08.18	*	
1.4 TSI (CZDA)		Gasolina	FWD	1395	110	150	05.14-08.20	*	
1.4 TSI (CZEA)		Gasolina	FWD	1395	110	150	05.14-08.20	*	
1.8 TFSI (CJSA)		Gasolina	FWD	1798	132	180	10.13-08.18	*	
2.0 Cupra (CJXA)		Gasolina	FWD	1984	206	280	10.13-08.20	*	
2.0 Cupra (CJXC)		Gasolina	FWD	1984	221	300	11.16-08.18	*	
2.0 Cupra 4Drive (CJXC)		Gasolina	4WD	1984	221	300	11.16-08.18	*	
1.6 TDI (CRKB)		Diesel	FWD	1598	81	110	09.13-08.20	*	
1.6 TDI (CXXB)		Diesel	FWD	1598	81	110	09.13-08.20	*	
1.6 TDI (DBKA)		Diesel	FWD	1598	81	110	09.13-08.20	*	
1.6 TDI (DDYA)		Diesel	FWD	1598	85	115	11.16-08.20	*	
2.0 TDI (CKFC)		Diesel	FWD	1968	110	150	04.13-08.18	*	
2.0 TDI (CRBC)		Diesel	FWD	1968	110	150	04.13-08.18	*	
2.0 TDI (CRLB)		Diesel	FWD	1968	110	150	04.13-08.18	*	
2.0 TDI (CRMB)		Diesel	FWD	1968	110	150	04.13-08.18	*	
2.0 TDI 4Drive (CRBC)		Diesel	4WD	1968	110	150	09.14-08.18	*	
2.0 TDI 4Drive (CRLB)		Diesel	4WD	1968	110	150	09.14-08.18	*	
2.0 TDI (CUNA)		Diesel	FWD	1968	135	184	08.13-08.18	*	
2.0 TDI (CUPA)		Diesel	FWD	1968	135	184	08.13-08.18	*	
2.0 TDI 4Drive (CUNA)		Diesel	4WD	1968	135	184	10.14-08.18	*	
LEON IV (KL1, KLG) 11.19-							[CAMBIADO]:Fastback (Compact car-C Segment)		
1.4 TSI e-Hybrid (DGEA)		Gasol./el éc.	FWD	1395	110	150	05.20-	*	
1.4 TSI e-Hybrid		Gasol./el éc.	FWD	1395	150	204	05.20-	*	
LEON IV Sportstourer (KL8, KLD) 03.20-							[CAMBIADO]:Break (Compact car-C Segment)		
1.4 TSI e-Hybrid (DGEA)		Gasol./el éc.	FWD	1395	110	150	05.20-	*	
1.4 TSI e-Hybrid		Gasol./el éc.	FWD	1395	150	204	05.20-	*	
SKODA									
KAROQ (NU7, ND7) 07.17-							SUV (Compact Crossover CUV-C Segment)		
1.0 TSI		Gasolina	FWD	999	81	110	09.20-	*	
1.0 TSI (CHZJ)		Gasolina	FWD	999	85	116	07.17-	*	
1.0 TSI (DKRF)		Gasolina	FWD	999	85	116	07.17-	*	
1.4 TSI (CZEA)		Gasolina	FWD	1395	110	150	07.17-	*	
1.4 TSI 4x4 (CZEA)		Gasolina	4WD	1395	110	150	09.19-	*	
1.5 TSI (DADA)		Gasolina	FWD	1498	110	150	07.17-	*	
1.5 TSI (DPCA)		Gasolina	FWD	1498	110	150	07.17-	*	
1.5 TSI 4x4 (DADA)		Gasolina	4WD	1498	110	150	07.17-	*	
1.5 TSI 4x4 (DPCA)		Gasolina	4WD	1498	110	150	07.17-	*	
1.6 SRE (CWVA)		Gasolina	FWD	1598	81	110	07.17-	*	
2.0 TSI 4x4 (DKZA)		Gasolina	4WD	1984	140	190	11.18-	*	
1.6 TDI (DDYA)		Diesel	FWD	1598	85	115	07.17-	*	
1.6 TDI (DGTE)		Diesel	FWD	1598	85	115	07.17-	*	

LISTA DE APLICACIONES - BUYERS GUIDE

2.0 TDI		Diesel	FWD	1968	85	116	11.20-	*
2.0 TDI 4x4		Diesel	4WD	1968	85	116	07.20-	*
2.0 TDI (DFFA)		Diesel	FWD	1968	110	150	07.17-	*
2.0 TDI 4x4 (DFFA)		Diesel	4WD	1968	110	150	07.17-	*
2.0 TDI 4x4 (DFHA)		Diesel	4WD	1968	140	190	07.17-	*
OCTAVIA IV (NX3, NN3, PV3) 01.20-					[CAMBIADO]:Fastback (Compact car-C Segment)			
1.5 TSI (DPCA)		Gasolina	FWD	1498	110	150	01.20-	*
2.0 TDI (DSUD)		Diesel	FWD	1968	85	116	03.20-	*
2.0 TDI (DSTB)		Diesel	FWD	1968	110	150	01.20-	*
VW								
GOLF VII / JETTA VII (5G1, BQ1, BE1, BE2) 08.12-					[CAMBIADO]:Fastback (Compact car-C Segment)			
1.0 TSI (CHZK)		Gasolina	FWD	999	63	86	01.17-07.19	*
1.0 TSI (DKLB)		Gasolina	FWD	999	63	86	01.17-07.19	*
1.0 TSI (CHZC)		Gasolina	FWD	999	81	110	11.16-08.20	*
1.0 TSI (CHZD)		Gasolina	FWD	999	85	115	05.15-08.20	*
1.0 TSI (DKRF)		Gasolina	FWD	999	85	115	05.15-08.20	*
1.2 TSI (CJZB)		Gasolina	FWD	1197	63	86	08.12-03.17	*
1.2 TSI (CYVA)		Gasolina	FWD	1197	63	86	08.12-03.17	*
1.2 TSI (CJZA)		Gasolina	FWD	1197	77	105	11.12-08.20	*
1.2 TSI (CYVB)		Gasolina	FWD	1197	81	110	04.14-03.17	*
1.4 TSI (CMBA)		Gasolina	FWD	1395	90	122	11.12-03.17	*
1.4 TSI (CXSA)		Gasolina	FWD	1395	90	122	11.12-03.17	*
1.4 TSI (CZCA)		Gasolina	FWD	1395	92	125	05.14-08.20	*
1.4 TSI (CHPA)		Gasolina	FWD	1395	103	140	08.12-08.20	*
1.4 TSI (CPTA)		Gasolina	FWD	1395	103	140	08.12-08.20	*
1.4 TSI (CHPB)		Gasolina	FWD	1395	110	150	05.14-03.21	*
1.4 TSI (CZDA)		Gasolina	FWD	1395	110	150	05.14-03.21	*
1.4 TSI (CZEA)		Gasolina	FWD	1395	110	150	05.14-03.21	*
1.4 TSI (DGXA)		Gasolina	FWD	1395	110	150	05.14-03.21	*
1.5 TSI (DACA)		Gasolina	FWD	1495	96	130	05.17-08.20	*
1.5 TSI (DADA)		Gasolina	FWD	1498	110	150	04.17-08.20	*
1.5 TSI (DPCA)		Gasolina	FWD	1498	110	150	04.17-08.20	*
1.6 (CWVA)		Gasolina	FWD	1598	81	110	05.14-07.17	*
1.8 TSI		Gasolina	FWD	1798	125	170	07.13-07.17	*
2.0 GTI (CNTA)		Gasolina	FWD	1984	155	210	11.13-07.17	*
2.0 GTI (CXCA)		Gasolina	FWD	1984	155	210	11.13-07.17	*
2.0 GTI (CHHB)		Gasolina	FWD	1984	162	220	04.13-08.20	*
2.0 GTI (CNTC)		Gasolina	FWD	1984	162	220	04.13-08.20	*
2.0 GTI (CXCB)		Gasolina	FWD	1984	162	220	04.13-08.20	*
2.0 GTI (CXDA)		Gasolina	FWD	1984	162	220	04.13-08.20	*
2.0 GTI (CHHA)		Gasolina	FWD	1984	169	230	04.13-08.20	*
2.0 GTI (CXDB)		Gasolina	FWD	1984	169	230	04.13-08.20	*
2.0 GTI (DKTB)		Gasolina	FWD	1984	180	245	03.17-08.20	*
2.0 GTI (DLBA)		Gasolina	FWD	1984	180	245	03.17-08.20	*
2.0 GTI Clubsport (CJXE)		Gasolina	FWD	1984	195	265	02.16-03.17	*
2.0 R 4motion (CJXB)		Gasolina	4WD	1984	206	280	11.13-03.17	*
2.0 GTI TCR (CJXH)		Gasolina	FWD	1984	213	290	11.18-08.20	*
2.0 GTI TCR (DNUC)		Gasolina	FWD	1984	213	290	11.18-08.20	*
2.0 R		Gasolina	FWD	1984	213	290	11.13-	*
2.0 R 4motion (CJXD)		Gasolina	4WD	1984	213	290	12.16-08.20	*

LISTA DE APLICACIONES - BUYERS GUIDE

2.0 R 4motion (DJHB)		Gasolina	4WD	1984	213	290	12.16-08.20	*
2.0 R 4motion (DNUC)		Gasolina	4WD	1984	213	290	12.16-08.20	*
2.0 R 4motion (CYFB)		Gasolina	4WD	1984	215	292	11.14-07.19	*
2.0 R 4motion (DJJA)		Gasolina	4WD	1984	215	292	11.14-07.19	*
2.0 R 4motion (DLRA)		Gasolina	4WD	1984	215	292	11.14-07.19	*
2.0 R 4motion (CJXC)		Gasolina	4WD	1984	221	300	11.13-08.20	*
2.0 R 4motion (DNUE)		Gasolina	4WD	1984	221	300	11.13-08.20	*
2.0 GTI Clubsport S (CJXG)		Gasolina	FWD	1984	228	310	09.16-03.17	*
2.0 R 4motion (CJXG)		Gasolina	4WD	1984	228	310	12.16-08.20	*
2.0 R 4motion (DJHA)		Gasolina	4WD	1984	228	310	12.16-08.20	*
2.0 R 360S 4motion (CJXC)		Gasolina	4WD	1984	265	360	09.16-03.17	*
1.4 TGI CNG (CPWA)		Gasol./Gas (CNG)	FWD	1395	81	110	06.13-07.18	*
1.4 TGI CNG (CZBA)		Gasol./Gas (CNG)	FWD	1395	81	110	06.13-07.18	*
1.5 TGI (DHFA)		Gasol./Gas (CNG)	FWD	1498	96	130	11.18-08.20	*
1.4 TSI MultiFuel (CPVA)		Gasol./Etanol	FWD	1395	90	122	11.12-03.17	*
1.4 TSI MultiFuel (CPVB)		Gasol./Etanol	FWD	1395	92	125	12.13-07.18	*
1.4 GTE Hybrid		Gasol./eléc.	FWD	1395	110	150	07.19-08.20	*
1.4 GTE Hybrid (CUKB)		Gasol./eléc.	FWD	1395	150	204	05.14-08.20	*
e-Golf (EAGA)		Eléctrico	FWD		85	115	03.14-02.17	*
e-Golf (EAZA)		Eléctrico	FWD		100	136	12.16-01.21	*
e-Golf (EBSA)		Eléctrico	FWD		100	136	12.16-01.21	*
1.6 TDI (CLHB)		Diesel	FWD	1598	66	90	04.13-07.18	*
1.6 TDI (CRKA)		Diesel	FWD	1598	66	90	04.13-07.18	*
1.6 TDI (CXXA)		Diesel	FWD	1598	66	90	04.13-07.18	*
1.6 TDI (DDYB)		Diesel	FWD	1598	66	90	04.13-07.18	*
1.6 TDI (CLHA)		Diesel	FWD	1598	77	105	08.12-03.17	*
1.6 TDI 4motion (CLHA)		Diesel	4WD	1598	77	105	11.12-03.17	*
1.6 TDI (CRKB)		Diesel	FWD	1598	81	110	01.13-03.17	*
1.6 TDI (CXXB)		Diesel	FWD	1598	81	110	01.13-03.17	*
1.6 TDI (DBKA)		Diesel	FWD	1598	81	110	01.13-03.17	*
1.6 TDI 4motion (CRKB)		Diesel	4WD	1598	81	110	01.13-03.17	*
1.6 TDI 4motion (CXXB)		Diesel	4WD	1598	81	110	01.13-03.17	*
1.6 TDI (DDYA)		Diesel	FWD	1598	85	115	11.16-08.20	*
1.6 TDI (DGTE)		Diesel	FWD	1598	85	115	11.16-08.20	*
2.0 TDI (CRLD)		Diesel	FWD	1968	81	110	11.12-08.20	*
2.0 TDI (CRVA)		Diesel	FWD	1968	81	110	11.12-08.20	*
2.0 TDI (CYKB)		Diesel	FWD	1968	81	110	11.12-08.20	*
2.0 TDI (DCYB)		Diesel	FWD	1968	81	110	11.12-08.20	*
2.0 TDI (DEJB)		Diesel	FWD	1968	81	110	11.12-08.20	*
2.0 TDI (DFGB)		Diesel	FWD	1968	81	110	11.12-08.20	*
2.0 TDI (CRBB)		Diesel	FWD	1968	105	143	08.12-08.20	*
2.0 TDI (CRVC)		Diesel	FWD	1968	105	143	08.12-08.20	*
2.0 TDI (CRBC)		Diesel	FWD	1968	110	150	08.12-08.20	*
2.0 TDI (CRLB)		Diesel	FWD	1968	110	150	08.12-08.20	*
2.0 TDI (CRMB)		Diesel	FWD	1968	110	150	08.12-08.20	*
2.0 TDI (CRUA)		Diesel	FWD	1968	110	150	08.12-08.20	*

LISTA DE APLICACIONES - BUYERS GUIDE

2.0 TDI (DCYA)		Diesel	FWD	1968	110	150	08.12-08.20	*
2.0 TDI (DEJA)		Diesel	FWD	1968	110	150	08.12-08.20	*
2.0 TDI (DFGA)		Diesel	FWD	1968	110	150	08.12-08.20	*
2.0 TDI 4motion (CKFC)		Diesel	4WD	1968	110	150	11.12-08.20	*
2.0 TDI 4motion (CRBC)		Diesel	4WD	1968	110	150	11.12-08.20	*
2.0 TDI 4motion (CRLB)		Diesel	4WD	1968	110	150	11.12-08.20	*
2.0 TDI 4motion (CRMB)		Diesel	4WD	1968	110	150	11.12-08.20	*
2.0 TDI 4motion (DCYA)		Diesel	4WD	1968	110	150	11.12-08.20	*
2.0 GTD		Diesel	FWD	1968	130	177	11.16-	*
2.0 GTD (CUNA)		Diesel	FWD	1968	135	184	04.13-08.20	*
2.0 GTD (DGCA)		Diesel	FWD	1968	135	184	04.13-08.20	*
2.0 GTD (DJGA)		Diesel	FWD	1968	135	184	04.13-08.20	*
GOLF VII / JETTA VII (5G1, BQ1) 08.12-					Furgón/hatchback (Compact car-C Segment)			
1.2 TSI (CJZB)		Gasolina	FWD	1197	63	86	08.12-03.17	*
1.2 TSI (CJZA)		Gasolina	FWD	1197	77	105	11.12-03.17	*
1.4 TSI (CXSA)		Gasolina	FWD	1395	90	122	05.13-03.17	*
1.4 TSI (CHPA)		Gasolina	FWD	1395	103	140	08.12-03.17	*
2.0 GTI (CHHB)		Gasolina	FWD	1984	162	220	04.13-03.17	*
2.0 GTI (CHHA)		Gasolina	FWD	1984	169	230	04.15-03.17	*
1.6 TDI (CRKA)		Diesel	FWD	1598	66	90	04.13-03.17	*
1.6 TDI (CLHA)		Diesel	FWD	1598	77	105	08.12-03.17	*
1.6 TDI (CRKB)		Diesel	FWD	1598	81	110	11.13-03.17	*
1.6 TDI (CXXB)		Diesel	FWD	1598	81	110	11.13-03.17	*
2.0 TDI		Diesel	FWD	1968	110	150	05.13-05.14	*
2.0 TDI 4motion (CRBC)		Diesel	4WD	1968	110	150	05.13-05.14	*
2.0 GTD (CUNA)		Diesel	FWD	1968	135	184	04.13-03.17	*
GOLF VII ALLTRACK Variant (BA5, BV5) 12.14-					[CAMBIADO]:Break (Compact car-C Segment)			
1.8 TSI 4motion (CJSB)		Gasolina	4WD	1798	132	180	12.14-08.20	*
1.6 TDI 4motion (CRKB)		Diesel	4WD	1598	81	110	12.14-03.17	*
1.6 TDI 4motion (CXXB)		Diesel	4WD	1598	81	110	12.14-03.17	*
2.0 TDI 4motion (CRBC)		Diesel	4WD	1968	110	150	12.14-08.20	*
2.0 TDI 4motion (CRLB)		Diesel	4WD	1968	110	150	12.14-08.20	*
2.0 TDI 4motion (DCYA)		Diesel	4WD	1968	110	150	12.14-08.20	*
2.0 TDI 4motion (CUNA)		Diesel	4WD	1968	135	184	12.14-08.20	*
2.0 TDI 4motion (DGCA)		Diesel	4WD	1968	135	184	12.14-08.20	*
2.0 TDI 4motion (DJGA)		Diesel	4WD	1968	135	184	12.14-08.20	*
GOLF VII SPORTSVAN (AM1, AN1) 02.14-					[CAMBIADO]:Fastback (Compact car-C Segment)			
1.0 TSI (CHZK)		Gasolina	FWD	999	63	86	05.17-07.19	*
1.0 TSI (DKLB)		Gasolina	FWD	999	63	86	05.17-07.19	*
1.0 TSI (CHZC)		Gasolina	FWD	999	81	110	05.17-07.18	*
1.0 TSI (CHZD)		Gasolina	FWD	999	85	115	05.15-08.20	*
1.0 TSI (DKRF)		Gasolina	FWD	999	85	115	05.15-08.20	*
1.2 TSI (CYVA)		Gasolina	FWD	1197	63	86	05.14-11.17	*
1.2 TSI (CYVB)		Gasolina	FWD	1197	81	110	04.14-11.17	*
1.4 TSI (CZCA)		Gasolina	FWD	1395	92	125	04.14-08.20	*
1.4 TSI (CZDA)		Gasolina	FWD	1395	110	150	02.14-07.18	*
1.5 TSI (DACA)		Gasolina	FWD	1495	96	130	05.17-08.20	*
1.5 TSI (DADA)		Gasolina	FWD	1498	110	150	05.17-08.20	*
1.5 TSI (DPCA)		Gasolina	FWD	1498	110	150	05.17-08.20	*
1.6 (CWVA)		Gasolina	FWD	1598	81	110	05.14-11.16	*

LISTA DE APLICACIONES - BUYERS GUIDE

1.4 TSI MultiFuel (CPVB)		Gasol./Etanol	FWD	1395	92	125	04.14-11.17	*	
1.6 TDI (CRKA)		Diesel	FWD	1598	66	90	02.14-07.18	*	
1.6 TDI (CXXA)		Diesel	FWD	1598	66	90	02.14-07.18	*	
1.6 TDI (DDYB)		Diesel	FWD	1598	66	90	02.14-07.18	*	
1.6 TDI (CRKB)		Diesel	FWD	1598	81	110	02.14-11.16	*	
1.6 TDI (CXXB)		Diesel	FWD	1598	81	110	02.14-11.16	*	
1.6 TDI (DBKA)		Diesel	FWD	1598	81	110	02.14-11.16	*	
1.6 TDI (DDYA)		Diesel	FWD	1598	85	115	11.16-08.20	*	
1.6 TDI (DGTE)		Diesel	FWD	1598	85	115	11.16-08.20	*	
2.0 TDI (CRLD)		Diesel	FWD	1968	81	110	05.14-11.17	*	
2.0 TDI (CRVA)		Diesel	FWD	1968	81	110	05.14-11.17	*	
2.0 TDI (DCYB)		Diesel	FWD	1968	81	110	05.14-11.17	*	
2.0 TDI (CRLB)		Diesel	FWD	1968	110	150	02.14-08.20	*	
2.0 TDI (DCYA)		Diesel	FWD	1968	110	150	02.14-08.20	*	
2.0 TDI (DFGA)		Diesel	FWD	1968	110	150	02.14-08.20	*	
GOLF VII VAN Variant / JETTA VII (BA5) 04.13-03.17							[CAMBIADO]:Furgón/Break (Compact car-C Segment)		
1.2 TSI (CJZB)		Gasolina	FWD	1197	63	86	05.13-03.17	*	
1.2 TSI (CYVA)		Gasolina	FWD	1197	63	86	05.13-03.17	*	
1.2 TSI (CJZA)		Gasolina	FWD	1197	77	105	04.13-03.17	*	
1.4 TSI (CXSA)		Gasolina	FWD	1395	90	122	05.13-03.17	*	
1.4 TSI (CHPA)		Gasolina	FWD	1395	103	140	05.13-03.17	*	
1.6 TDI (CLHB)		Diesel	FWD	1598	66	90	05.13-03.17	*	
1.6 TDI (CRKA)		Diesel	FWD	1598	66	90	05.13-03.17	*	
1.6 TDI (CXXA)		Diesel	FWD	1598	66	90	05.13-03.17	*	
1.6 TDI (CLHA)		Diesel	FWD	1598	77	105	05.13-03.17	*	
1.6 TDI 4motion (CLHA)		Diesel	4WD	1598	77	105	05.13-03.17	*	
1.6 TDI (CRKB)		Diesel	FWD	1598	81	110	05.13-03.17	*	
2.0 TDI (CRBC)		Diesel	FWD	1968	110	150	04.13-03.17	*	
2.0 TDI (CRLB)		Diesel	FWD	1968	110	150	04.13-03.17	*	
2.0 TDI 4motion (CRBC)		Diesel	4WD	1968	110	150	04.13-03.17	*	
2.0 TDI 4motion (CRLB)		Diesel	4WD	1968	110	150	04.13-03.17	*	
GOLF VII Variant / JETTA VII (BA5, BV5) 04.13-							[CAMBIADO]:Break (Compact car-C Segment)		
1.0 TSI (CHZK)		Gasolina	FWD	999	63	86	01.17-07.19	*	
1.0 TSI (DKLB)		Gasolina	FWD	999	63	86	01.17-07.19	*	
1.0 TSI (CHZC)		Gasolina	FWD	999	81	110	11.16-08.20	*	
1.0 TSI (CHZD)		Gasolina	FWD	999	85	115	05.15-08.20	*	
1.0 TSI (DKRF)		Gasolina	FWD	999	85	115	05.15-08.20	*	
1.2 TSI (CJZB)		Gasolina	FWD	1197	63	86	05.13-03.17	*	
1.2 TSI (CYVA)		Gasolina	FWD	1197	63	86	05.13-03.17	*	
1.2 TSI (CJZA)		Gasolina	FWD	1197	77	105	04.13-08.20	*	
1.2 TSI MultiFuel		Gasolina	FWD	1197	77	105	04.13-	*	
1.2 TSI (CYVB)		Gasolina	FWD	1197	81	110	04.14-03.17	*	
1.4 TSI BiFuel		Gasolina	FWD	1395	81	110	09.13-	*	
1.4 TSI (CXSA)		Gasolina	FWD	1395	90	122	05.13-03.17	*	
1.4 TSI (CZCA)		Gasolina	FWD	1395	92	125	05.14-08.20	*	
1.4 TSI (CZDD)		Gasolina	FWD	1395	92	125	05.14-08.20	*	
1.4 TSI (CHPA)		Gasolina	FWD	1395	103	140	05.13-08.20	*	
1.4 TSI (CHPB)		Gasolina	FWD	1395	110	150	05.14-03.21	*	
1.4 TSI (CZDA)		Gasolina	FWD	1395	110	150	05.14-03.21	*	
1.4 TSI (DGXA)		Gasolina	FWD	1395	110	150	05.14-03.21	*	

LISTA DE APLICACIONES - BUYERS GUIDE

1.5 TSI (DACA)		Gasolina	FWD	1495	96	130	07.17-08.20	*
1.5 TSI (DPBA)		Gasolina	FWD	1495	96	130	07.17-08.20	*
1.5 TSI (DADA)		Gasolina	FWD	1498	110	150	04.17-08.20	*
1.5 TSI (DPCA)		Gasolina	FWD	1498	110	150	04.17-08.20	*
1.6 (CWVA)		Gasolina	FWD	1598	81	110	05.14-07.17	*
1.8 TSI 4motion (CJSB)		Gasolina	4WD	1798	132	179	11.16-08.20	*
2.0 R 4motion (CJXB)		Gasolina	4WD	1984	206	280	03.15-03.17	*
2.0 R 4motion (CJXD)		Gasolina	4WD	1984	213	290	12.16-08.20	*
2.0 R 4motion (DJHB)		Gasolina	4WD	1984	213	290	12.16-08.20	*
2.0 R 4motion (DNUC)		Gasolina	4WD	1984	213	290	12.16-08.20	*
2.0 R 4motion (CJXC)		Gasolina	4WD	1984	221	300	03.15-08.20	*
2.0 R 4motion (DNUE)		Gasolina	4WD	1984	221	300	03.15-08.20	*
2.0 R 4motion (CJXG)		Gasolina	4WD	1984	228	310	12.16-08.20	*
2.0 R 4motion (DJHA)		Gasolina	4WD	1984	228	310	12.16-08.20	*
2.0 R 360S 4motion (CJXC)		Gasolina	4WD	1984	265	360	09.16-03.17	*
1.4 TGI CNG (CPWA)		Gasol./Gas (CNG)	FWD	1395	81	110	09.13-07.18	*
1.5 TGI (DHFA)		Gasol./Gas (CNG)	FWD	1498	96	131	12.18-08.20	*
1.4 TSI MultiFuel (CPVA)		Gasol./Etanol	FWD	1395	90	122	04.13-03.17	*
1.4 TSI MultiFuel (CPVB)		Gasol./Etanol	FWD	1395	92	125	05.14-03.17	*
1.6 TDI (CLHB)		Diesel	FWD	1598	66	90	05.13-07.18	*
1.6 TDI (CRKA)		Diesel	FWD	1598	66	90	05.13-07.18	*
1.6 TDI (CXXA)		Diesel	FWD	1598	66	90	05.13-07.18	*
1.6 TDI (DDYB)		Diesel	FWD	1598	66	90	05.13-07.18	*
1.6 TDI (CLHA)		Diesel	FWD	1598	77	105	05.13-03.17	*
1.6 TDI 4motion (CLHA)		Diesel	4WD	1598	77	105	05.13-03.17	*
1.6 TDI (CRKB)		Diesel	FWD	1598	81	110	05.13-03.17	*
1.6 TDI (CXXB)		Diesel	FWD	1598	81	110	05.13-03.17	*
1.6 TDI (DBKA)		Diesel	FWD	1598	81	110	05.13-03.17	*
1.6 TDI 4motion (CRKB)		Diesel	4WD	1598	81	110	05.13-03.17	*
1.6 TDI 4motion (CXXB)		Diesel	4WD	1598	81	110	05.13-03.17	*
1.6 TDI (DDYA)		Diesel	FWD	1598	85	115	11.16-08.20	*
1.6 TDI (DGTE)		Diesel	FWD	1598	85	115	11.16-08.20	*
2.0 TDI (CRLD)		Diesel	FWD	1968	81	110	05.13-08.20	*
2.0 TDI (CRVA)		Diesel	FWD	1968	81	110	05.13-08.20	*
2.0 TDI (CYKB)		Diesel	FWD	1968	81	110	05.13-08.20	*
2.0 TDI (DCYB)		Diesel	FWD	1968	81	110	05.13-08.20	*
2.0 TDI (DEJB)		Diesel	FWD	1968	81	110	05.13-08.20	*
2.0 TDI (DFGB)		Diesel	FWD	1968	81	110	05.13-08.20	*
2.0 TDI (CRBC)		Diesel	FWD	1968	110	150	04.13-08.20	*
2.0 TDI (CRLB)		Diesel	FWD	1968	110	150	04.13-08.20	*
2.0 TDI (CRUA)		Diesel	FWD	1968	110	150	04.13-08.20	*
2.0 TDI (DCYA)		Diesel	FWD	1968	110	150	04.13-08.20	*
2.0 TDI (DEJA)		Diesel	FWD	1968	110	150	04.13-08.20	*
2.0 TDI (DFGA)		Diesel	FWD	1968	110	150	04.13-08.20	*
2.0 TDI 4motion (CRBC)		Diesel	4WD	1968	110	150	04.13-08.20	*
2.0 TDI 4motion (CRLB)		Diesel	4WD	1968	110	150	04.13-08.20	*
2.0 TDI 4motion (DCYA)		Diesel	4WD	1968	110	150	04.13-08.20	*
2.0 GTD		Diesel	FWD	1968	130	177	11.16-	*

LISTA DE APLICACIONES - BUYERS GUIDE

2.0 GTD (CUNA)		Diesel	FWD	1968	135	184	01.15-07.19	*
2.0 GTD (DGCA)		Diesel	FWD	1968	135	184	01.15-07.19	*
2.0 GTD (DJGA)		Diesel	FWD	1968	135	184	01.15-07.19	*
GOLF VIII (CD1, DA1) 07.19-					[CAMBIADO]:Fastback (Compact car-C Segment)			
1.5 TSI		Gasolina	FWD	1498	85	116	03.24-	*
2.0 GTI		Gasolina	FWD	1984	195	265	06.24-	*
1.0 eTSI		Gasol./el éc.	FWD	999	81	110	06.20-	*
1.5 eTSI		Gasol./el éc.	FWD	1495	96	131	11.20-	*
1.5 eTSI		Gasol./el éc.	FWD	1498	85	116	03.24-	*
1.5 eTSI (DFYA)		Gasol./el éc.	FWD	1498	110	150	12.19-	*
1.5 eHybrid		Gasol./el éc.	FWD	1498	150	204	06.24-	*
1.5 GTE Plug-in Hybrid		Gasol./el éc.	FWD	1498	200	272	06.24-	*
GOLF VIII Variant (CG5, DB5) 08.20-					[CAMBIADO]:Break (Compact car-C Segment)			
1.0 eTSI		Gasol./el éc.	FWD	999	81	110	09.20-	*
1.5 eTSI		Gasol./el éc.	FWD	1495	96	131	12.20-	*
1.5 eTSI		Gasol./el éc.	FWD	1498	85	116	03.24-	*
1.5 eTSI		Gasol./el éc.	FWD	1498	110	150	12.20-	*
JETTA VII (BU3, BU4, BU5) 12.17-					Sedán (Compact car-C Segment)			
1.4 TSI (CWLA)		Gasolina	FWD	1395	110	150	12.17-	*
1.4 TSI (CZDA)		Gasolina	FWD	1395	110	150	12.17-	*
1.4 TSI (DGXA)		Gasolina	FWD	1395	110	150	12.17-	*
1.4 TSI (DJXA)		Gasolina	FWD	1395	110	150	12.17-	*
PASSAT B8 (3G2, CB2) 08.14-					Sedán (Large family car-D Segment)			
1.4 TSI (CZCA)		Gasolina	FWD	1395	92	125	11.14-11.18	*
1.4 TSI (CZDA)		Gasolina	FWD	1395	110	150	11.14-03.24	*
1.4 TSI (CZEA)		Gasolina	FWD	1395	110	150	11.14-03.24	*
1.4 TSI 4motion (CZEA)		Gasolina	4WD	1395	110	150	02.15-11.18	*
1.5 TSI (DADA)		Gasolina	FWD	1498	110	150	08.18-03.24	*
1.5 TSI (DPCA)		Gasolina	FWD	1498	110	150	08.18-03.24	*
1.8 TSI (CJSA)		Gasolina	FWD	1798	132	180	02.15-07.19	*
1.8 TSI (CJSC)		Gasolina	FWD	1798	132	180	02.15-07.19	*
2.0 TSI (CZPB)		Gasolina	FWD	1984	140	190	11.18-03.24	*
2.0 TSI (DKZA)		Gasolina	FWD	1984	140	190	11.18-03.24	*
2.0 TSI (DRFA)		Gasolina	FWD	1984	140	190	11.18-03.24	*
2.0 TSI (CHHB)		Gasolina	FWD	1984	162	220	02.15-03.24	*
2.0 TSI (CXDA)		Gasolina	FWD	1984	162	220	02.15-03.24	*
1.6 TDI (DCXA)		Diesel	FWD	1598	88	120	08.14-11.20	*
1.6 TDI (DCZA)		Diesel	FWD	1598	88	120	08.14-11.20	*
2.0 TDI (DTRA)		Diesel	FWD	1968	90	122	07.20-03.24	*
2.0 TDI (CRLB)		Diesel	FWD	1968	110	150	11.14-03.24	*
2.0 TDI (DBGA)		Diesel	FWD	1968	110	150	11.14-03.24	*
2.0 TDI (DFGA)		Diesel	FWD	1968	110	150	11.14-03.24	*
2.0 TDI (DSRA)		Diesel	FWD	1968	110	150	11.14-03.24	*
2.0 TDI (DSRB)		Diesel	FWD	1968	110	150	11.14-03.24	*
2.0 TDI 4motion (CRLB)		Diesel	4WD	1968	110	150	08.14-03.24	*

LISTA DE APLICACIONES - BUYERS GUIDE

2.0 TDI 4motion (DFEA)		Diesel	4WD	1968	110	150	08.14-03.24	*
2.0 TDI 4motion (DFGA)		Diesel	4WD	1968	110	150	08.14-03.24	*
2.0 TDI (CUPA)		Diesel	FWD	1968	135	184	07.15-05.16	*
2.0 TDI (DDAA)		Diesel	FWD	1968	140	190	11.14-03.24	*
2.0 TDI (DFCA)		Diesel	FWD	1968	140	190	11.14-03.24	*
2.0 TDI (DFHA)		Diesel	FWD	1968	140	190	11.14-03.24	*
2.0 TDI 4motion (DDAA)		Diesel	4WD	1968	140	190	11.14-03.24	*
2.0 TDI 4motion (DFCA)		Diesel	4WD	1968	140	190	11.14-03.24	*
2.0 TDI 4motion (DFHA)		Diesel	4WD	1968	140	190	11.14-03.24	*
PASSAT B8 ALLTRACK Variant (3G5, CB5) 05.15-					[CAMBIADO]:Break (Large family car-D Segment)			
1.4 TSI 4motion (CZEA)		Gasolina	4WD	1395	110	150	05.15-11.18	*
2.0 TSI 4motion (CHHB)		Gasolina	4WD	1984	162	220	07.15-03.24	*
2.0 TDI 4motion (CRLB)		Diesel	4WD	1968	110	150	05.15-11.17	*
2.0 TDI 4motion (DFEA)		Diesel	4WD	1968	110	150	05.15-11.17	*
2.0 TDI 4motion (CUPA)		Diesel	4WD	1968	135	184	07.15-05.16	*
2.0 TDI 4motion (DDAA)		Diesel	4WD	1968	140	190	05.15-03.24	*
2.0 TDI 4motion (DFCA)		Diesel	4WD	1968	140	190	05.15-03.24	*
2.0 TDI 4motion (DFHA)		Diesel	4WD	1968	140	190	05.15-03.24	*
PASSAT B8 Variant (3G5, CB5) 08.14-					[CAMBIADO]:Break (Large family car-D Segment)			
1.4 TSI (CZCA)		Gasolina	FWD	1395	92	125	11.14-11.18	*
1.4 TSI (CZDA)		Gasolina	FWD	1395	110	150	11.14-03.24	*
1.4 TSI (CZEA)		Gasolina	FWD	1395	110	150	11.14-03.24	*
1.4 TSI 4motion (CZEA)		Gasolina	4WD	1395	110	150	02.15-11.18	*
1.5 TSI (DADA)		Gasolina	FWD	1498	110	150	08.18-03.24	*
1.5 TSI (DPCA)		Gasolina	FWD	1498	110	150	08.18-03.24	*
1.8 TSI (CJSA)		Gasolina	FWD	1798	132	180	02.15-07.19	*
1.8 TSI (CJSC)		Gasolina	FWD	1798	132	180	02.15-07.19	*
2.0 TSI (CZPB)		Gasolina	FWD	1984	140	190	11.18-03.24	*
2.0 TSI (DKZA)		Gasolina	FWD	1984	140	190	11.18-03.24	*
2.0 TSI (DRFA)		Gasolina	FWD	1984	140	190	11.18-03.24	*
2.0 TSI (CHHB)		Gasolina	FWD	1984	162	220	08.14-03.24	*
2.0 TSI (CXDA)		Gasolina	FWD	1984	162	220	08.14-03.24	*
1.6 TDI (DCXA)		Diesel	FWD	1598	88	120	08.14-11.20	*
1.6 TDI (DCZA)		Diesel	FWD	1598	88	120	08.14-11.20	*
2.0 TDI (DTRA)		Diesel	FWD	1968	90	122	07.20-03.24	*
2.0 TDI (CRLB)		Diesel	FWD	1968	110	150	11.14-03.24	*
2.0 TDI (DBGA)		Diesel	FWD	1968	110	150	11.14-03.24	*
2.0 TDI (DFGA)		Diesel	FWD	1968	110	150	11.14-03.24	*
2.0 TDI (DSRA)		Diesel	FWD	1968	110	150	11.14-03.24	*
2.0 TDI (DSRB)		Diesel	FWD	1968	110	150	11.14-03.24	*
2.0 TDI 4motion (CRLB)		Diesel	4WD	1968	110	150	08.14-03.24	*
2.0 TDI 4motion (DFEA)		Diesel	4WD	1968	110	150	08.14-03.24	*
2.0 TDI 4motion (DFGA)		Diesel	4WD	1968	110	150	08.14-03.24	*
2.0 TDI (CUPA)		Diesel	FWD	1968	135	184	07.15-05.16	*
2.0 TDI (DDAA)		Diesel	FWD	1968	140	190	11.14-03.24	*
2.0 TDI (DFCA)		Diesel	FWD	1968	140	190	11.14-03.24	*
2.0 TDI (DFHA)		Diesel	FWD	1968	140	190	11.14-03.24	*
2.0 TDI 4motion (DDAA)		Diesel	4WD	1968	140	190	11.14-03.24	*
2.0 TDI 4motion (DFCA)		Diesel	4WD	1968	140	190	11.14-03.24	*
2.0 TDI 4motion (DFHA)		Diesel	4WD	1968	140	190	11.14-03.24	*

LISTA DE APLICACIONES - BUYERS GUIDE

POLO V (6R1, 6C1) 03.09-					[CAMBIADO]:Fastback (Supermini car-B Segment)			
1.8 GTI 230 (DAJA)	Gasolina	FWD	1798	169	230	04.16-10.17	*	
TAOS (CL1, CP1, CQ1) 07.20-					SUV (Compact Crossover CUV-C Segment)			
1.4 TSI (DSJA)	Gasolina	FWD	1395	110	150	10.20-	*	
1.4 TSI 4motion	Gasolina	4WD	1395	110	150	05.21-	*	
1.6 MPi	Gasolina	FWD	1598	81	110	07.21-	*	
TOURAN III (5T1) 05.15-					Furgoneta/MPV (LCVs-N1 Segment)			
2.0 TDI	Diesel	FWD	1968	90	122	11.20-	*	
2.0 TDI	Diesel	FWD	1968	110	150	05.15-	*	
TOURAN III (5T1) 05.15-					MPV (Compact MPV-M1 Segment)			
1.0 TSI (DKRB)	Gasolina	FWD	999	85	116	12.18-07.19	*	
1.2 TSI (CYVB)	Gasolina	FWD	1197	81	110	05.15-07.18	*	
1.4 TSI (CZDA)	Gasolina	FWD	1395	110	150	05.15-07.22	*	
1.5 TSI (DADA)	Gasolina	FWD	1498	110	150	11.18-	*	
1.5 TSI (DPCA)	Gasolina	FWD	1498	110	150	11.18-	*	
1.8 TSI (CJSA)	Gasolina	FWD	1798	132	180	11.15-07.18	*	
1.6 TDI (CRKB)	Diesel	FWD	1598	81	110	05.15-05.16	*	
1.6 TDI (DGDA)	Diesel	FWD	1598	85	115	05.16-07.19	*	
2.0 TDI (CRVA)	Diesel	FWD	1968	81	110	11.15-07.19	*	
2.0 TDI (CYKB)	Diesel	FWD	1968	81	110	11.15-07.19	*	
2.0 TDI (DFEB)	Diesel	FWD	1968	81	110	11.15-07.19	*	
2.0 TDI (DFGB)	Diesel	FWD	1968	81	110	11.15-07.19	*	
2.0 TDI (DFGC)	Diesel	FWD	1968	85	116	02.19-11.20	*	
2.0 TDI	Diesel	FWD	1968	90	122	11.20-	*	
2.0 TDI (DFEA)	Diesel	FWD	1968	110	150	05.15-	*	
2.0 TDI (DFGA)	Diesel	FWD	1968	110	150	05.15-	*	
2.0 TDI (DFHA)	Diesel	FWD	1968	140	190	11.15-07.19	*	
T-ROC (AC7, AC8) 12.19-					Cabrio (Mini SUV-J Segment)			
1.0 TSI	Gasolina	FWD	999	81	110	09.20-	*	
1.0 TSI (DKRF)	Gasolina	FWD	999	85	116	12.19-	*	
1.5 TSI (DPCA)	Gasolina	FWD	1498	110	150	12.19-	*	
T-ROC (A11, D11) 07.17-					SUV (Mini SUV-J Segment)			
1.0 TSI	Gasolina	FWD	999	81	110	09.20-	*	
1.0 TSI (CHZJ)	Gasolina	FWD	999	85	116	07.17-	*	
1.0 TSI (DKRF)	Gasolina	FWD	999	85	116	07.17-	*	
1.0 TSI 4motion	Gasolina	4WD	999	85	115	01.19-	*	
1.5 TSI (DADA)	Gasolina	FWD	1498	110	150	11.17-	*	
1.5 TSI (DPCA)	Gasolina	FWD	1498	110	150	11.17-	*	
1.5 TSI 4motion (DADA)	Gasolina	4WD	1498	110	150	05.18-11.19	*	
1.5 TSI 4motion (DPCA)	Gasolina	4WD	1498	110	150	05.18-11.19	*	
2.0 TSI 4motion (CZPB)	Gasolina	4WD	1984	140	190	07.17-	*	
2.0 TSI 4motion (DKZA)	Gasolina	4WD	1984	140	190	07.17-	*	
2.0 R 4motion (DNUE)	Gasolina	4WD	1984	221	300	09.19-	*	
1.6 TDI (DGTE)	Diesel	FWD	1598	85	115	03.18-06.21	*	
2.0 TDI SCR	Diesel	FWD	1968	85	116	11.20-	*	
2.0 TDI (DFFA)	Diesel	FWD	1968	110	150	03.18-	*	
2.0 TDI 4motion (DFFA)	Diesel	4WD	1968	110	150	09.17-	*	
2.0 TDI 4motion (DFHA)	Diesel	4WD	1968	140	190	07.19-06.21	*	

VW (SVW)

LISTA DE APLICACIONES - BUYERS GUIDE

TOURAN III (9R3) 06.14-					MPV (Compact MPV-M1 Segment)			
1.6	Gasolina	FWD	1598	81	110	06.14-	*	
TOURAN L (0R1) 03.16-					MPV (Compact MPV-M1 Segment)			
280TSi (CSSA, DJSA)	Gasolina	FWD	1395	110	150	03.16-	*	
1.6 (CSRA)	Gasolina	FWD	1598	81	110	10.17-	*	
330 Ti (CUFA)	Gasolina	FWD	1798	132	180	03.16-	*	