

# LISTA DE APLICACIONES - BUYERS GUIDE

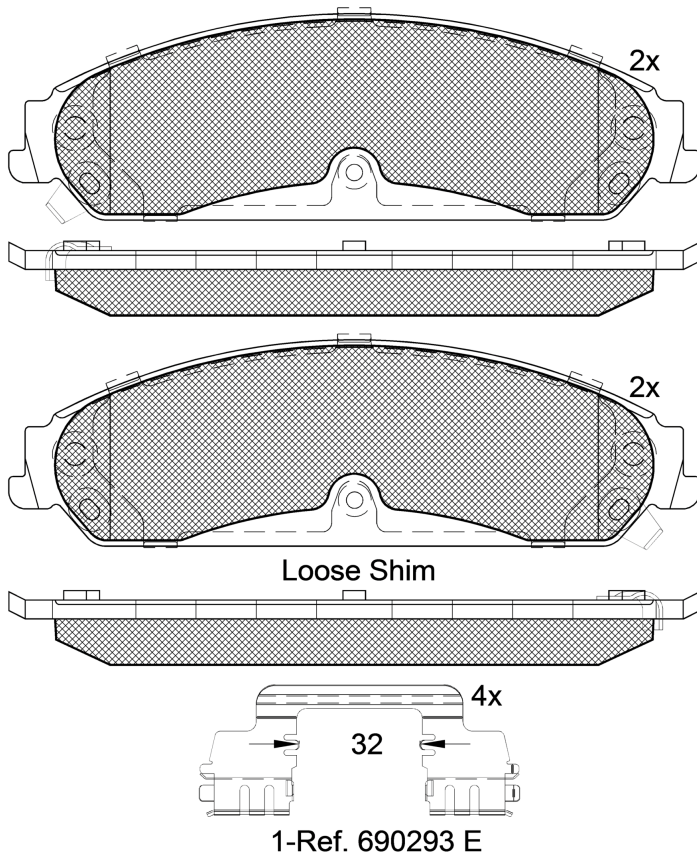
## RB2097



Qty: 300

Weight: 2.085

| O.E.M.        | MAKE     |
|---------------|----------|
| 681-4681-AA   | LANCIA   |
| 68147681AA    | DODGE    |
| 68147681AB    | CHRYSLER |
| 68147681AC    | CHRYSLER |
| 68147681AD    | CHRYSLER |
| 681-8543-4AA  | LANCIA   |
| K6818-5434-AA | LANCIA   |



## RB2097

**E 9 90R-02A0111/3565**



Trw

183.4x54.8x17.8

| WVA   | FMSI       |
|-------|------------|
| 25322 | D1058-8839 |
| 25605 |            |
| 25606 |            |

Sin Filas



| Trac. | CC | Kw | CV |
|-------|----|----|----|
|-------|----|----|----|



Front / Rear

### CHRYSLER

|                              |  |               |     |      |     |     | <b>Cabrio (Executive car-E Segment)</b> |   |  |
|------------------------------|--|---------------|-----|------|-----|-----|---|---|--|
| <b>200 01.10-</b>            |  |               |     |      |     |     |   |   |  |
| 2.4 (ED3)                    |  | Gasolina      | FWD | 2360 | 129 | 175 | 01.11-12.14                             | * |  |
| 2.4 (EDG)                    |  | Gasolina      | FWD | 2360 | 129 | 175 | 01.11-12.14                             | * |  |
| 3.6 (ERB)                    |  | Gasolina      | FWD | 3604 | 211 | 287 | 09.11-12.12                             | * |  |
| 3.6 Flexfuel                 |  | Gasol./Etanol | FWD | 3604 | 211 | 287 | 09.10-                                  | * |  |
| <b>200 01.10-</b>            |  |               |     |      |     |     |   |   |  |
|                              |  |               |     |      |     |     | <b>Sedán (Executive car-E Segment)</b>  |   |  |
| 2.4 (ED3)                    |  | Gasolina      | FWD | 2360 | 129 | 175 | 01.11-12.15                             | * |  |
| 2.4 (EDG)                    |  | Gasolina      | FWD | 2360 | 129 | 175 | 01.11-12.15                             | * |  |
| 3.6 Flexfuel                 |  | Gasol./Etanol | FWD | 3604 | 211 | 287 | 09.10-                                  | * |  |
| <b>200 II 06.14-</b>         |  |               |     |      |     |     |   |   |  |
|                              |  |               |     |      |     |     | <b>Sedán (Executive car-E Segment)</b>  |   |  |
| 2.4 (EDG)                    |  | Gasolina      | FWD | 2360 | 129 | 175 | 07.14-                                  | * |  |
| <b>300 C (LX, LE) 09.04-</b> |  |               |     |      |     |     |   |   |  |
|                              |  |               |     |      |     |     | <b>Sedán (Luxury car-F Segment)</b>     |   |  |
| 5.7                          |  | Gasolina      | FWD | 5654 | 256 | 348 | 12.09-11.12                             | * |  |
| <b>300 C II (LX) 09.10-</b>  |  |               |     |      |     |     |   |   |  |
|                              |  |               |     |      |     |     | <b>Sedán (Luxury car-F Segment)</b>     |   |  |
| 3.6 (ERB)                    |  | Gasolina      | RWD | 3604 | 210 | 286 | 09.11-08.19                             | * |  |
| 3.6 (ERB)                    |  | Gasolina      | RWD | 3604 | 215 | 292 | 07.11-12.23                             | * |  |
| 3.6                          |  | Gasolina      | RWD | 3604 | 216 | 294 | 04.15-12.23                             | * |  |
| 3.6 (ERB)                    |  | Gasolina      | RWD | 3604 | 218 | 296 | 01.11-12.23                             | * |  |
| 6.4 (ESG)                    |  | Gasolina      | RWD | 6417 | 347 | 472 | 09.11-12.23                             | * |  |
| 3.0 CRD (EXF)                |  | Diesel        | RWD | 2987 | 176 | 239 | 09.11-12.23                             | * |  |

### DODGE

# LISTA DE APLICACIONES - BUYERS GUIDE

|                                     |          |     |      |     |   |             |   |  |
|-------------------------------------|----------|-----|------|-----|---|-------------|---|--|
| <b>CHALLENGER III 09.07-</b>        |          |     |      |     | <b>Coupé (Supermini car-B Segment)</b>  |             |   |  |
| 5.7 (EZH)                           | Gasolina | RWD | 5654 | 277 | 377                                     | 09.08-12.23 | * |  |
| 5.7 (EZC)                           | Gasolina | RWD | 5654 | 280 | 381                                     | 01.10-12.23 | * |  |
| <b>CHARGER VII 09.10-</b>           |          |     |      |     | <b>Sedán (Luxury car-F Segment)</b>     |             |   |  |
| 5.7 (EZH)                           | Gasolina | RWD | 5654 | 272 | 370                                     | 06.12-      | * |  |
| 5.7 R/T (EZH)                       | Gasolina | RWD | 5654 | 276 | 375                                     | 09.10-      | * |  |
| 5.7 R/T AWD (EZH)                   | Gasolina | 4WD | 5654 | 276 | 375                                     | 09.10-      | * |  |
| <b>LANCIA</b>                       |          |     |      |     |   |             |   |  |
| <b>FLAVIA III (JS_) 03.12-12.14</b> |          |     |      |     | <b>Cabrió (Executive car-E Segment)</b> |             |   |  |
| 2.4 (JK, JS) (EDG)                  | Gasolina | FWD | 2360 | 125 | 170                                     | 03.12-12.14 | * |  |
| 2.4 (JS) (EDG)                      | Gasolina | FWD | 2360 | 129 | 175                                     | 03.12-12.14 | * |  |
| <b>THEMA II (LX_) 09.11-</b>        |          |     |      |     | <b>Sedán (Executive car-E Segment)</b>  |             |   |  |
| 3.6 (48, LX) (ERB)                  | Gasolina | RWD | 3604 | 210 | 286                                     | 09.11-10.14 | * |  |
| 3.0 D (LX, 48) (EXF)                | Diesel   | RWD | 2987 | 140 | 190                                     | 09.11-10.14 | * |  |
| 3.0 D (48, LX) (EXF)                | Diesel   | RWD | 2987 | 176 | 239                                     | 09.11-10.14 | * |  |