

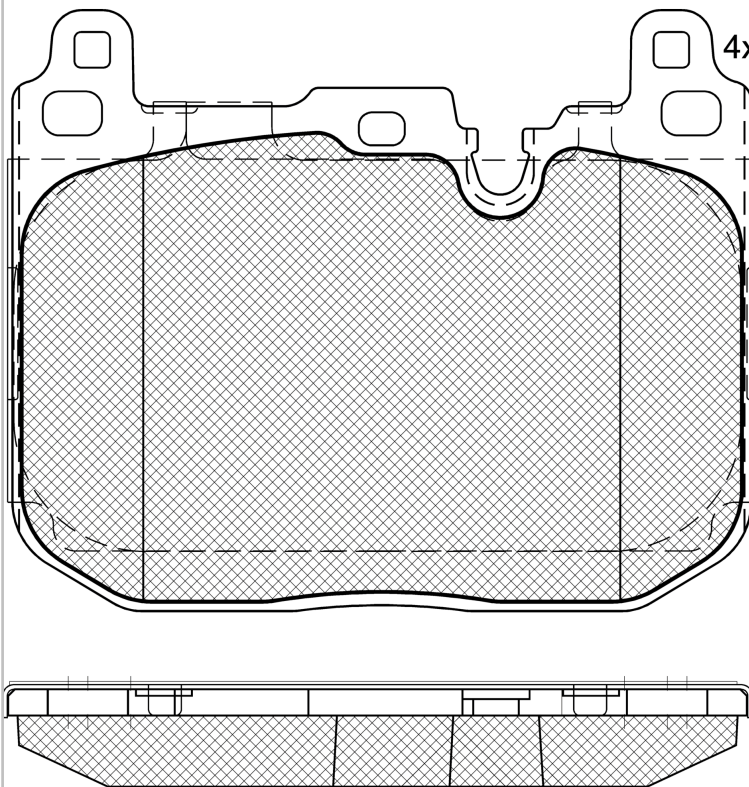
LISTA DE APLICACIONES - BUYERS GUIDE

RB2093-208




Qty: 300 Weight: 1.855

O.E.M.	MAKE
34 10 6 889 266	BMW





RB2093-208

E 9 **90R-02A0111/5225**
 Brembo

114.2x91.3x15

WVA
25028
Sin Filas



Trac.	CC	Kw	CV		 Front / Rear
-------	----	----	----	---	--

BMW

					[CAMBIADO]:Fastback (Compact car-C Segment)				
1 Serie III (F40) 07.19-									
116 i (B38 A15 A)		Gasolina	FWD	1499	80	109	11.20-	*	
118 i (B38 A15 A)		Gasolina	FWD	1499	100	136	11.20-	*	
118 i (B38 A15 A)		Gasolina	FWD	1499	103	140	07.19-	*	
120 i (B48 A20 A)		Gasolina	FWD	1998	131	178	11.20-	*	
120 i (B48 A20 F)		Gasolina	FWD	1998	131	178	11.20-	*	
128 ti (B48 A20 B)		Gasolina	FWD	1998	180	245	11.20-	*	
128 ti (B48 A20 E)		Gasolina	FWD	1998	195	265	11.20-	*	
M 135 i xDrive (B48 A20 E)		Gasolina	4WD	1998	225	306	07.19-	*	
116 d (B37 C15 A)		Diesel	FWD	1496	85	116	07.19-	*	
118 d (B47 C20 B)		Diesel	FWD	1995	100	136	07.19-	*	
118 d (B47 C20 B)		Diesel	FWD	1995	110	150	07.19-	*	
120 d (B47 C20 B)		Diesel	FWD	1995	140	190	03.20-	*	
120 d xDrive (B47 C20 B)		Diesel	4WD	1995	140	190	07.19-	*	
2 Gran Coupé (F44) 11.19-					Coupé (Compact car-C Segment)				
218i (B38 A15 A)		Gasolina	FWD	1499	100	136	11.20-	*	
218i (B38 A15 A)		Gasolina	FWD	1499	103	140	11.19-	*	
220 i (B48 A20 A)		Gasolina	FWD	1998	131	178	11.20-	*	
220 i (B48 A20 F)		Gasolina	FWD	1998	131	178	11.20-	*	
220 i xDrive		Gasolina	4WD	1998	131	178	03.21-	*	
M 235 i xDrive (B48 A20 E)		Gasolina	4WD	1998	225	306	11.19-	*	
216 d (B37 C15 A)		Diesel	FWD	1496	85	116	03.20-	*	
218d (B47 C20 B)		Diesel	FWD	1995	100	136	07.20-10.24	*	

LISTA DE APLICACIONES - BUYERS GUIDE

218d (B47 C20 B)		Diesel	FWD	1995	110	150	07.20-	*
220 d (B47 C20 B)		Diesel	FWD	1995	120	163	11.19-	*
220 d (B47 C20 B)		Diesel	FWD	1995	140	190	11.19-	*
220 d xDrive (B47 C20 B)		Diesel	4WD	1995	140	190	07.20-10.24	*
X1 II (F48) 11.14-					SUV (Compact SUV-J Segment)			
sDrive18i (B38 A15 A)		Gasolina	FWD	1499	100	136	11.15-06.22	*
sDrive18i (B38 A15 A)		Gasolina	FWD	1499	103	140	07.17-06.22	*
sDrive20i (B48 A20 A)		Gasolina	FWD	1998	131	178	11.20-06.22	*
sDrive20i (B48 A20 F)		Gasolina	FWD	1998	131	178	11.20-06.22	*
xDrive20i (B48 A20 A)		Gasolina	4WD	1998	131	178	11.20-06.22	*
xDrive20i (B48 A20 F)		Gasolina	4WD	1998	131	178	11.20-06.22	*
sDrive20i (B42 S20 A)		Gasolina	FWD	1998	141	192	07.15-06.22	*
sDrive20i (B48 A20 A)		Gasolina	FWD	1998	141	192	07.15-06.22	*
sDrive20i (B48 A20 F)		Gasolina	FWD	1998	141	192	07.15-06.22	*
xDrive20i (B48 A20 A)		Gasolina	4WD	1998	141	192	07.15-06.22	*
xDrive20i (B48 A20 B)		Gasolina	4WD	1998	141	192	07.15-06.22	*
xDrive20i (B48 A20 F)		Gasolina	4WD	1998	141	192	07.15-06.22	*
xDrive 25 i (B42 S20 A)		Gasolina	4WD	1998	170	231	07.15-10.21	*
xDrive 25 i (B46 A20 B)		Gasolina	4WD	1998	170	231	07.15-10.21	*
xDrive 25 i (B48 A20 B)		Gasolina	4WD	1998	170	231	07.15-10.21	*
sDrive 16 d (B37 C15 A)		Diesel	FWD	1496	85	116	11.14-05.22	*
sDrive 18 d (B47 C20 A)		Diesel	FWD	1995	100	136	07.15-06.22	*
xDrive 18 d (B47 C20 A)		Diesel	4WD	1995	100	136	11.14-06.22	*
sDrive 18 d (B47 C20 A)		Diesel	FWD	1995	110	150	07.15-06.22	*
sDrive 18 d (B47 C20 B)		Diesel	FWD	1995	110	150	07.15-06.22	*
xDrive 18 d (B47 C20 A)		Diesel	4WD	1995	110	150	11.14-06.22	*
xDrive 18 d (B47 C20 B)		Diesel	4WD	1995	110	150	11.14-06.22	*
sDrive 20 d (B47 C20 A)		Diesel	FWD	1995	120	163	11.15-05.22	*
sDrive 20 d (B47 C20 B)		Diesel	FWD	1995	120	163	11.15-05.22	*
xDrive 20 d (B47 C20 A)		Diesel	4WD	1995	120	163	07.15-06.22	*
xDrive 20 d (B47 C20 B)		Diesel	4WD	1995	120	163	07.15-06.22	*
sDrive 20 d (B47 C20 A)		Diesel	FWD	1995	140	190	11.15-05.22	*
sDrive 20 d (B47 C20 B)		Diesel	FWD	1995	140	190	11.15-05.22	*
xDrive 20 d (B47 C20 A)		Diesel	4WD	1995	140	190	07.15-06.22	*
xDrive 20 d (B47 C20 B)		Diesel	4WD	1995	140	190	07.15-06.22	*
X1 II Van (F48) 07.15-					Furgoneta/SUV (Compact SUV-J Segment)			
sDrive18i (B38 A15 A)		Gasolina	FWD	1499	103	140	07.17-06.22	*
sDrive20i (B48 A20 A)		Gasolina	FWD	1998	141	192	07.17-06.22	*
sDrive 18 d (B47 C20 A)		Diesel	FWD	1995	110	150	07.15-06.22	*
sDrive 18 d (B47 C20 B)		Diesel	FWD	1995	110	150	07.15-06.22	*
sDrive 20 d (B47 C20 A)		Diesel	FWD	1995	140	190	11.15-05.22	*
sDrive 20 d (B47 C20 B)		Diesel	FWD	1995	140	190	11.15-05.22	*
xDrive 20 d (B47 C20 A)		Diesel	4WD	1995	140	190	07.15-06.22	*
xDrive 20 d (B47 C20 B)		Diesel	4WD	1995	140	190	07.15-06.22	*
X2 (F39) 11.17-					SUV (Compact SUV-J Segment)			
sDrive20i (B48 A20 A)		Gasolina	FWD	1998	131	178	11.20-10.23	*
sDrive20i (B48 A20 F)		Gasolina	FWD	1998	131	178	11.20-10.23	*
xDrive20i (B48 A20 A)		Gasolina	4WD	1998	131	178	11.20-10.23	*
M35 i (B48 A20 E)		Gasolina	4WD	1998	225	306	11.18-10.23	*
sDrive 16 d (B37 C15 A)		Diesel	FWD	1496	85	116	11.18-10.23	*

LISTA DE APLICACIONES - BUYERS GUIDE

sDrive 20 d (B47 C20 A)	Diesel	FWD	1995	120	163	11.18-10.23	*
sDrive 20 d (B47 C20 B)	Diesel	FWD	1995	120	163	11.18-10.23	*
sDrive 20 d (B47 C20 A)	Diesel	FWD	1995	140	190	11.18-10.23	*
sDrive 20 d (B47 C20 B)	Diesel	FWD	1995	140	190	11.18-10.23	*

MINI

MINI (F56) 12.13-							[CAMBIADO]:Fastback (Supermini car-B Segment)	
John Cooper Works (B46 A20 B)	Gasolina	FWD	1998	170	231	03.15-	*	
John Cooper Works (B48 A20 B)	Gasolina	FWD	1998	170	231	03.15-	*	
John Cooper Works GP (B48 A20 E)	Gasolina	FWD	1998	225	306	03.20-	*	
MINI CLUBMAN II (F54) 11.14-							[CAMBIADO]:Break (Supermini car-B Segment)	
John Cooper Works (B48 A20 E)	Gasolina	4WD	1998	225	306	07.19-	*	
MINI COUNTRYMAN II (F60) 10.16-							[CAMBIADO]:Break (Supermini car-B Segment)	
John Cooper Works ALL4 (B48 A20 E)	Gasolina	4WD	1998	225	306	07.19-	*	