

LISTA DE APLICACIONES - BUYERS GUIDE

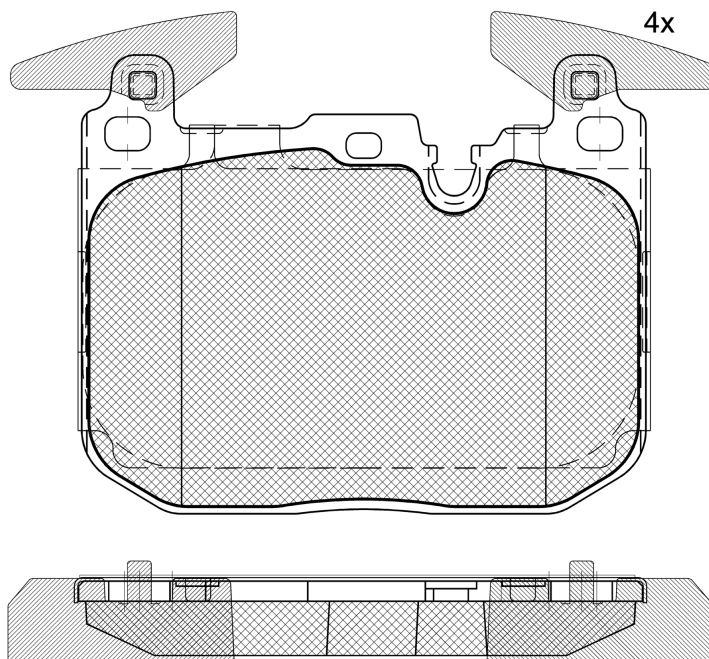
RB2093-200



Qty: 300

Weight: 2.345

O.E.M.	MAKE
34 10 6 866 072	BMW
34 10 6 872 334	BMW
34 11 6 866 072	BMW
6872334	BMW
6889266	BMW



RB2093-200

E 9 90R-02A0111/3921



Brembo

114.2x91.3x16

WVA	FMSI
25028	D1609-8991

Sin Filas



Trac.	CC	Kw	CV
-------	----	----	----



Front / Rear

BMW

i8 (I15) 03.18-

Cabrio (Grand Tourer-S Segment)

hybrid (B38 K15 A)	Gasol./el éc.	4WD	1499	170	231	03.18-06.20	*
hybrid (B38 K15 A)	Gasol./el éc.	4WD	1499	275	374	03.18-06.20	*

i8 (I12) 03.14-

Coupé (Grand Tourer-S Segment)

hybrid (B38 K15 A)	Gasol./el éc.	4WD	1499	170	231	03.14-06.20	*
hybrid (B38 K15 A)	Gasol./el éc.	4WD	1499	266	362	03.14-02.18	*
hybrid (B38 K15 A)	Gasol./el éc.	4WD	1499	275	374	03.18-06.20	*