

# LISTA DE APLICACIONES - BUYERS GUIDE

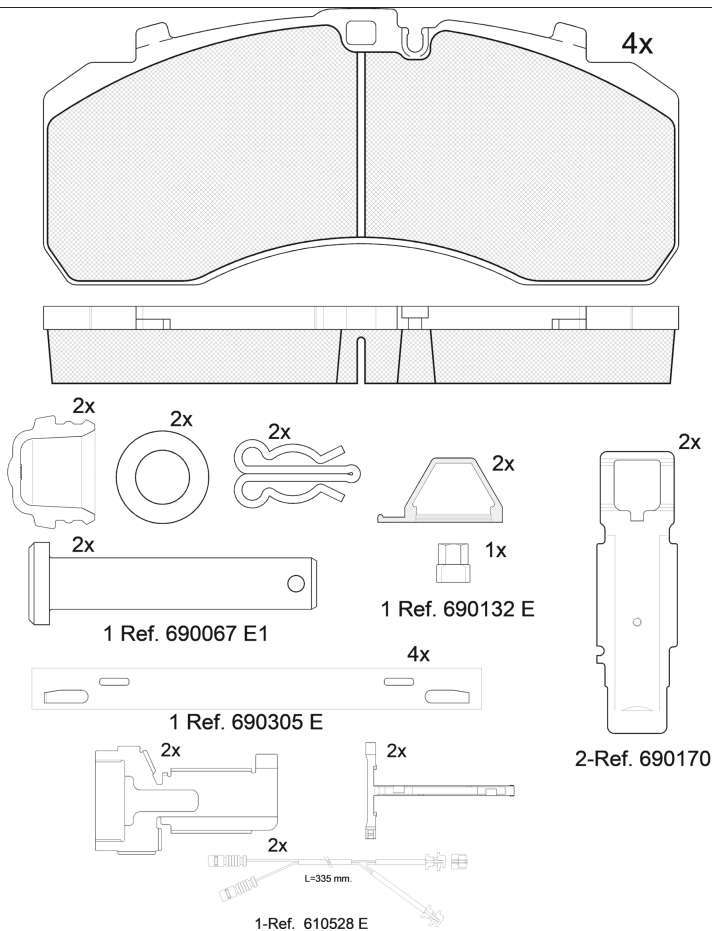
## RB2091-113



Qty: 660

Weight: 11.450

O.E.M.	MAKE
006 420 10 20	MERCEDES-BENZ
006 420 11 20	MERCEDES-BENZ



## RB2091-113

**E 9 90R-02A0178/3584**



Knorr SB/SN7 ProTechS

247.3x107.6x30

WVA
29252
29253
29255
29266
29278

Sin Filas



Trac.	CC	Kw	CV
-------	----	----	----



Front / Rear

### DAF

								Cabeza tractora	
<b>75 CF 02.98-12.00</b>									
FT 75 CF 250 (PF 183 M)		Diesel		9186	183	249	02.98-12.00	*	*
FT 75 CF 290 (PF 212 M)		Diesel		9186	212	288	02.98-12.00	*	*
FT 75 CF 320 (PF 235 M)		Diesel		9186	235	320	02.98-12.00	*	*
<b>75 CF 02.98-12.00</b>								Caja/Chasis	
FA 75 CF 250 (PF 183 M)		Diesel		9186	183	249	02.98-12.00	*	*
FAG 75 CF 250,FAN 75 CF 250 (PF 183 M)		Diesel		9186	183	249	02.98-12.00	*	*
FAR 75 CF 250,FAS 75 CF 250 (PF 183 M)		Diesel		9186	183	249	02.98-12.00	*	*
FAT 75 CF 250 (PF 183 M)		Diesel		9186	183	249	02.98-12.00	*	*
FA 75 CF 290 (PF 212 M)		Diesel		9186	212	288	02.98-12.00	*	*
FAG 75 CF 290,FAN 75 CF 290 (PF 212 M)		Diesel		9186	212	288	02.98-12.00	*	*
FAR 75 CF 290,FAS 75 CF 290 (PF 212 M)		Diesel		9186	212	288	02.98-12.00	*	*
FAT 75 CF 290 (PF 212 M)		Diesel		9186	212	288	02.98-12.00	*	*
FA 75 CF 320 (PF 235 M)		Diesel		9186	235	320	02.98-12.00	*	*
FAG 75 CF 320,FAN 75 CF 320 (PF 235 M)		Diesel		9186	235	320	02.98-12.00	*	*
FAR 75 CF 320,FAS 75 CF 320 (PF 235 M)		Diesel		9186	235	320	02.98-12.00	*	*
FAT 75 CF 320 (PF 235 M)		Diesel		9186	235	320	02.98-12.00	*	*
<b>85 CF 02.98-12.00</b>								Cabeza tractora	
FT 85 CF 340 (XF 250 M)		Diesel		12580	250	340	02.98-12.00	*	*
FTG 85 CF 340 (XF 250 M)		Diesel		12580	250	340	02.98-12.00	*	*
FTT 85 CF 340 (XF 250 M)		Diesel		12580	250	340	02.98-12.00	*	*
FT 85 CF 380 (XF 280 M)		Diesel		12580	280	381	02.98-12.00	*	*
FTG 85 CF 380 (XF 280 M)		Diesel		12580	280	381	02.98-12.00	*	*

# LISTA DE APLICACIONES - BUYERS GUIDE

FTT 85 CF 380		Diesel		12580	280	381	02.98-12.00	*	*
FT 85 CF 430 (XF 315 M)		Diesel		12580	315	428	02.98-12.00	*	*
FTG 85 CF 430 (XF 315 M)		Diesel		12580	315	428	02.98-12.00	*	*
FTT 85 CF 430 (XF 315 M)		Diesel		12580	315	428	02.98-12.00	*	*
<b>85 CF 02.98-12.00</b>								<b>Caja/Chasis</b>	
FA 85 CF 340 (XF 250 M)		Diesel		12580	250	340	02.98-12.00	*	*
FAC 85 CF 340 (XF 250 M)		Diesel		12580	250	340	02.98-12.00	*	*
FAD 85 CF 340 (XF 250 M)		Diesel		12580	250	340	02.98-12.00	*	*
FAG 85 CF 340,FAN 85 CF 340 (XF 250 M)		Diesel		12580	250	340	02.98-12.00	*	*
FAR 85 CF 340 (XF 250 M)		Diesel		12580	250	340	02.98-12.00	*	*
FAS 85 CF 340 (XF 250 M)		Diesel		12580	250	340	02.98-12.00	*	*
FAT 85 CF 340 (XF 250 M)		Diesel		12580	250	340	02.98-12.00	*	*
FA 85 CF 380 (XF 280 M)		Diesel		12580	280	381	02.98-12.00	*	*
FAC 85 CF 380 (XF 280 M)		Diesel		12580	280	381	02.98-12.00	*	*
FAD 85 CF 380 (XF 280 M)		Diesel		12580	280	381	02.98-12.00	*	*
FAG 85 CF 380,FAN 85 CF 380 (XF 280 M)		Diesel		12580	280	381	02.98-12.00	*	*
FAR 85 CF 380 (XF 280 M)		Diesel		12580	280	381	02.98-12.00	*	*
FAS 85 CF 380 (XF 280 M)		Diesel		12580	280	381	02.98-12.00	*	*
FAT 85 CF 380 (XF 280 M)		Diesel		12580	280	381	02.98-12.00	*	*
FA 85 CF 430 (XF 315 M)		Diesel		12580	315	428	02.98-12.00	*	*
FAC 85 CF 430 (XF 315 M)		Diesel		12580	315	428	02.98-12.00	*	*
FAD 85 CF 430 (XF 315 M)		Diesel		12580	315	428	02.98-12.00	*	*
FAG 85 CF 430,FAN 85 CF 430 (XF 315 M)		Diesel		12580	315	428	02.98-12.00	*	*
FAR 85 CF 430 (XF 315 M)		Diesel		12580	315	428	02.98-12.00	*	*
FAS 85 CF 430 (XF 315 M)		Diesel		12580	315	428	02.98-12.00	*	*
FAT 85 CF 430 (XF 315 M)		Diesel		12580	315	428	02.98-12.00	*	*
<b>CF 65 01.01-05.13</b>								<b>Caja/Chasis</b>	
FA 65.300 (GR 220)		Diesel		6691	220	300	01.09-05.13	*	*
<b>CF 75 01.01-12.19</b>								<b>Cabeza tractora</b>	
FT 75.250		Diesel		9186	183	249	10.06-05.13	*	*
FT 75.310		Diesel		9186	228	310	10.06-05.13	*	*
FT 75.360		Diesel		9186	265	360	10.06-05.13	*	*
<b>CF 75 01.01-12.19</b>								<b>Caja/Chasis</b>	
FA 75.250		Diesel		9186	183	249	10.06-05.13	*	*
FAG 75.250, FAN 75.250		Diesel		9186	183	249	01.01-05.13	*	*
FAR 75.250, FAS 75.250 (PR 183 S)		Diesel		9186	183	249	10.06-05.13	*	*
FAT 75.250		Diesel		9186	183	249	10.06-05.13	*	*
FA 75.310 (PR 228 S)		Diesel		9186	228	310	10.06-05.13	*	*
FAG 75.310, FAN 75.310		Diesel		9186	228	310	01.01-05.13	*	*
FAR 75.310, FAS 75.310		Diesel		9186	228	310	01.01-05.13	*	*
FAT 75.310		Diesel		9186	228	310	10.06-05.13	*	*
FA 75.360 (PR 265 S)		Diesel		9186	265	360	10.06-05.13	*	*
FAG 75.360, FAN 75.360		Diesel		9186	265	360	01.01-05.13	*	*
FAR 75.360, FAS 75.360		Diesel		9186	265	360	10.06-05.13	*	*
FAT 75.360		Diesel		9186	265	360	10.06-05.13	*	*
<b>CF 75 01.01-12.19</b>								<b>Camión volquete</b>	
FA 75.250		Diesel		9186	183	249	10.06-05.13	*	*
FA 75.310 (PR 228 S)		Diesel		9186	228	310	10.06-05.13	*	*
FA 75.360 (PR 265 S)		Diesel		9186	265	360	10.06-05.13	*	*

# LISTA DE APLICACIONES - BUYERS GUIDE

<b>CF 85 01.01-05.13</b>					<b>Cabeza tractora</b>				
FT 85.360 (MX 265)		Diesel		12903	265	360	10.06-05.13	*	*
FTT 85.410		Diesel		12903	300	408	10.05-05.13	*	*
FTG 85.510		Diesel		12903	375	510	10.05-05.13	*	*
<b>CF 85 01.01-05.13</b>					<b>Caja/Chasis</b>				
FAD 85.360		Diesel		12903	265	360	10.06-05.13	*	*
FAG 85.360, FAN 85.360		Diesel		12903	265	360	10.06-05.13	*	*
FAQ 85.360 (MX 265)		Diesel		12903	265	360	10.06-05.13	*	*
FAQ 85.360 (MX-13 265)		Diesel		12903	265	360	10.06-05.13	*	*
FAD 85.410 (MX 300)		Diesel		12903	300	408	10.06-05.13	*	*
FAD 85.410 (MX-13 303)		Diesel		12903	300	408	10.06-05.13	*	*
FAG 85.410, FAN 85.410		Diesel		12903	300	408	10.06-05.13	*	*
FAQ 85.410 (MX 300)		Diesel		12903	300	408	10.06-05.13	*	*
FAQ 85.410 (MX-13 303)		Diesel		12903	300	408	10.06-05.13	*	*
FAR 85.410		Diesel		12903	300	408	10.05-05.13	*	*
FAD 85.460 (MX 340)		Diesel		12903	340	462	10.06-05.13	*	*
FAD 85.460 (MX-13 340)		Diesel		12903	340	462	10.06-05.13	*	*
FAG 85.460, FAN 85.460		Diesel		12903	340	462	10.06-05.13	*	*
FAQ 85.460 (MX 340)		Diesel		12903	340	462	10.06-05.13	*	*
FAQ 85.460 (MX-13 340)		Diesel		12903	340	462	10.06-05.13	*	*
FAR 85.460		Diesel		12903	340	462	10.05-05.13	*	*
FAD 85.510 (MX 375)		Diesel		12903	375	510	10.06-05.13	*	*
FAD 85.510 (MX-13 375)		Diesel		12903	375	510	10.06-05.13	*	*
FAG 85.510, FAN 85.510 (MX 375)		Diesel		12903	375	510	10.06-05.13	*	*
FAG 85.510, FAN 85.510 (MX-13 375)		Diesel		12903	375	510	10.06-05.13	*	*
FAQ 85.510 (MX 375)		Diesel		12903	375	510	10.06-05.13	*	*
FAQ 85.510 (MX-13 375)		Diesel		12903	375	510	10.06-05.13	*	*
FAR 85.510		Diesel		12903	375	510	10.05-05.13	*	*
<b>CF 85 01.01-05.13</b>					<b>Camión volquete</b>				
FA 85.360		Diesel		12903	265	360	10.06-05.13	*	*
FAD 85.360		Diesel		12903	265	360	10.06-05.13	*	*
FAN 85.360		Diesel		12903	265	360	10.06-05.13	*	*
FAR 85.360		Diesel		12903	265	360	10.06-05.13	*	*
FAR 85.360, FAS 85.360		Diesel		12903	265	360	10.06-05.13	*	*
FA 85.410		Diesel		12903	300	408	10.06-05.13	*	*
FAD 85.410 (MX-13 303)		Diesel		12903	300	408	10.06-05.13	*	*
FAN 85.410		Diesel		12903	300	408	10.06-05.13	*	*
FAR 85.410, FAS 85.410		Diesel		12903	300	408	10.05-05.13	*	*
FA 85.460		Diesel		12903	340	462	10.06-05.13	*	*
FAD 85.460 (MX-13 340)		Diesel		12903	340	462	10.06-05.13	*	*
FAN 85.460		Diesel		12903	340	462	10.06-05.13	*	*
FAR 85.460, FAS 85.460		Diesel		12903	340	462	10.05-05.13	*	*
FA 85.510		Diesel		12903	375	510	10.06-05.13	*	*
FAD 85.510 (MX-13 375)		Diesel		12903	375	510	10.06-05.13	*	*
FAN 85.510 (MX-13 375)		Diesel		12903	375	510	10.06-05.13	*	*
FAR 85.510, FAS 85.510		Diesel		12903	375	510	10.05-05.13	*	*
<b>CF 85 01.01-05.13</b>					<b>Hormigonera</b>				
FAD 85.360		Diesel		12903	265	360	10.06-05.13	*	*
FAD 85.410 (MX-13 303)		Diesel		12903	300	408	10.06-05.13	*	*
FAD 85.460 (MX-13 340)		Diesel		12903	340	462	10.06-05.13	*	*

# LISTA DE APLICACIONES - BUYERS GUIDE

FAD 85.510 (MX-13 375)	Diesel		12903	375	510	10.06-05.13	*	*	
<b>LF 55 01.01-</b>							<b>Veh. Municipal</b>		
FA 55.160	Diesel		4461	118	160	05.06-	*	*	
<b>XF 10.12-</b>							<b>Cabeza tractora</b>		
FTG 440, FTN 440	Diesel		10837	320	435	10.12-	*	*	
FTP 440	Diesel		10837	320	435	10.12-	*	*	
FTG 410, FTN 410	Diesel		12903	303	412	10.12-	*	*	
FTP 410	Diesel		12903	303	412	10.12-	*	*	
FTG 460, FTN 460 (MX-13 340)	Diesel		12903	340	462	10.12-	*	*	
FTP 460	Diesel		12903	340	462	10.12-	*	*	
FTT 460	Diesel		12903	340	462	10.12-	*	*	
FTG 510, FTN 510	Diesel		12903	375	510	10.12-	*	*	
FTP 510	Diesel		12903	375	510	10.12-	*	*	
FTT 510	Diesel		12903	375	510	10.12-	*	*	
<b>XF 10.12-</b>							<b>Caja/Chasis</b>		
FA 440	Diesel		10837	320	435	10.12-	*	*	
FA 440	Diesel		10837	320	435	10.12-	*	*	
FAN 440	Diesel		10837	320	435	10.12-	*	*	
FAR 440	Diesel		10837	320	435	10.12-	*	*	
FA 410	Diesel		12903	303	412	10.12-	*	*	
FA 410	Diesel		12903	303	412	10.12-	*	*	
FAN 410	Diesel		12903	303	412	10.12-	*	*	
FAR 410	Diesel		12903	303	412	10.12-	*	*	
FA 460	Diesel		12903	340	462	10.12-	*	*	
FA 460	Diesel		12903	340	462	10.12-	*	*	
FAD 460 (MX-13 340)	Diesel		12903	340	462	10.12-	*	*	
FAN 460 (MX-13 340)	Diesel		12903	340	462	10.12-	*	*	
FAR 460 (MX-13 340)	Diesel		12903	340	462	10.12-	*	*	
FA 510	Diesel		12903	375	510	10.12-	*	*	
FA 510	Diesel		12903	375	510	10.12-	*	*	
FAD 510	Diesel		12903	375	510	10.12-	*	*	
FAN 510	Diesel		12903	375	510	10.12-	*	*	
FAR 510	Diesel		12903	375	510	10.12-	*	*	
<b>XF 105 10.05-</b>							<b>Caja/Chasis</b>		
FAR 105.410	Diesel		12903	300	408	10.05-	*	*	
FAR 105.460	Diesel		12903	340	462	10.05-	*	*	
FAR 105.510	Diesel		12903	375	510	10.05-	*	*	
<b>IVECO</b>									
<b>EuroCargo I-III 01.91-09.15</b>							<b>Camión volquete</b>		
170 E 15 K (8060.25R.4280)	Diesel		5861	105	143	12.91-07.00	*		
<b>EuroStar 01.93-10.02</b>							<b>Caja/Chasis</b>		
LD 240 E 38	Diesel		9498	276	375	01.93-02.02	*		
LD 260 E 40	Diesel		10308	294	400	09.00-02.02	*		
LD 260 E 43 Y/PS, LD 260 E 43 FP	Diesel		10308	316	430	01.93-02.02	*		
LD 240 E 42 FS, LD 240 E 42 PS	Diesel		13798	309	420	01.93-02.02	*		
LD 240 E 47 PS	Diesel		13798	345	469	01.93-02.02	*		
LD 240 E 52 PS	Diesel		17173	378	514	01.93-02.02	*		
<b>EuroTech MH 01.98-</b>							<b>Caja/Chasis</b>		
260 E 24 Y/P, 260 E 24 Y/PS, 260 E 24 Y/PT	Diesel		7790	180	245	11.99-	*		

# LISTA DE APLICACIONES - BUYERS GUIDE

260 E 27 Y/P, 260 E 27 Y/PS, 260 E 27 RY/PS, 260 E 27 RY/PT	Diesel		7790	200	272	11.99-	*
260 E 30 Y/PS	Diesel		7790	218	296	01.00-	*
260 E 31 Y/P, 260 E 31 Y/PS, 260 E 31 Y/PT	Diesel		7790	228	310	11.99-	*
260 E 35 Y/P, 260 E 35 Y/PT, 260 E 35 Y/TN	Diesel		7790	259	352	11.99-	*
<b>EuroTech MP 01.92-</b>							<b>Caja/Chasis</b>
240 E 38	Diesel		9498	276	375	01.92-	*
260 E 40	Diesel		10308	294	400	01.01-	*
240 E 42	Diesel		13798	309	420	01.92-	*
<b>Stralis 02.02-</b>							<b>Cabeza tractora</b>
AS 440S46	Diesel		10308	338	460	12.09-	*
<b>Stralis 02.02-</b>							<b>Cabeza tractora</b>
AT 440S33 CNG (F2GE0682A)	Gasolina		7790	243	330	01.13-	*
<b>Stralis 02.02-</b>							<b>Caja/Chasis</b>
AD 260S31, AT 260S31	Diesel		7790	228	310	06.03-	*
AD 260S33, AT 260S33	Diesel		7790	243	330	12.06-	*
AD 260S35, AT 260S35, AD 260S36, AT 260S36	Diesel		7790	259	352	06.03-	*
AD 260S40, AT 260S40	Diesel		10308	294	400	06.03-	*
AS 260S40	Diesel		10308	294	400	02.02-	*
AD 260S42, AT 260S42 (F3AE3681B)	Diesel		10308	310	422	12.06-	*
AD 260S42, AT 260S42, AS 260S42	Diesel		10308	310	422	05.07-	*
AD 260S43, AT 260S43	Diesel		10308	316	430	06.03-	*
AS 260S43	Diesel		10308	316	430	02.02-	*
AD 260S45, AT 260S45, AS 260S45	Diesel		10308	331	450	05.07-	*
AS 260S48	Diesel		12882	353	480	02.02-	*
<b>Stralis 02.02-</b>							<b>Caja/Chasis</b>
AD 260S27 CNG, AT 260S27 CNG	Gasolina		7790	200	272	01.08-	*
AD 260S30 CNG (F2GE0682A)	Gasolina		7790	220	299	01.13-	*
<b>Stralis 02.02-</b>							<b>Veh. Municipal</b>
AD 260S27, AT 260S27	Diesel		7790	200	272	04.04-	*
AD 260S30, AT 260S30	Diesel		7790	218	296	04.04-	*
AD 260S31, AT 260S31	Diesel		7790	228	310	04.04-	*
AD 260S33, AT 260S33	Diesel		7790	243	330	06.07-	*
AD 260S36, AT 260S36	Diesel		7790	265	360	07.07-	*
<b>Tector II 08.12-12.18</b>							<b>Cabeza tractora</b>
170E28 (F4AE3681E)	Diesel		5883	206	280	09.12-	*
<b>Tector II 08.12-12.18</b>							<b>Caja/Chasis</b>
150E21 (F4AFE411C)	Diesel		4485	150	204	01.12-	*
170E22 (F4AE3681B)	Diesel		5883	160	218	01.12-	*
170E28 (F4AE3681E)	Diesel		5883	206	280	01.12-	*
240E28 (F4AE3681E)	Diesel		5883	206	280	01.12-	*
<b>Trakker 09.04-</b>							<b>Cabeza tractora</b>
AD 400T41 WT, AT 400T41 WT (F3BE3681D)	Diesel		12882	302	410	03.06-12.12	* *
AD 400T45 WT, AT 400T45 WT (F3BE3681C)	Diesel		12882	332	450	03.06-12.12	* *
<b>Trakker 09.04-</b>							<b>Caja/Chasis</b>
AD 180T27 W, AT 180T27 W (F2BE0681F)	Diesel		7790	200	272	06.05-10.07	* *
AD 190T31, AT 190T31 (F2BE0681B)	Diesel		7790	228	310	10.04-10.07	*
AD 190T31 W, AT 190T31 W (F2BE0681B)	Diesel		7790	228	310	06.05-10.07	* *

# LISTA DE APLICACIONES - BUYERS GUIDE

AD 190T31 W, AT 190T31 W (F2BE3681C)	Diesel		7790	228	310	06.05-10.07	*	*	
AD 190T33 W, AT 190T33 W (F2BE3681B)	Diesel		7790	243	330	03.06-12.12	*	*	
AD 260T36 W, AD 380T36 W, AT 260T36 W, AT 380T36 W (F2BE3681A)	Diesel		7790	265	360	10.04-12.12	*	*	
AD 260T38, AD 260T38 /P, AT 260T38 (F3BE0681G)	Diesel		12882	280	380	06.05-10.07	*		
AD 260T41 W, AD 380T41 W, AT 260T41 W, AT 380T41 W (F3BE3681D)	Diesel		12882	302	410	03.06-12.12	*	*	
AD 260T44, AD 260T44 /P, AT 260T44 (F3BE0681C)	Diesel		12882	324	440	06.05-10.07	*		
AD 260T45 W, AD 380T45 W, AT 260T45 W, AT 380T45 W (F3BE3681C)	Diesel		12882	332	450	03.06-12.12	*	*	
AD 410T45 W (F3BE3681C)	Diesel		12882	332	450	03.06-12.12	*	*	
<b>Zeta 01.79-12.92</b>							<b>Bus</b>		
A 60-9 (8040.05.200)	Diesel		3908	65	88	09.88-12.92	*		
A 60-9 (8040.05.203)	Diesel		3908	65	88	09.88-12.92	*		
A 70-12 (8340.05.200)	Diesel		5401	84	114	01.83-01.85	*		
A 70-14 (8060.05.246)	Diesel		5861	101	137	05.88-12.92	*		
A 70-14 (8060.05.285)	Diesel		5861	101	137	05.88-12.92	*		
<b>MAN</b>									
<b>TGA 03.00-</b>							<b>Cabeza tractora</b>		
26.310 (D 2066 LF 04)	Diesel		10518	228	310	01.04-	*	*	
26.310, 26.320 (D 2066 LF 04)	Diesel		10518	228	310	06.05-	*	*	
26.310, 26.320 (D 2066 LF 35)	Diesel		10518	228	310	06.05-	*	*	
26.310, 26.320 (D 2066 LF 39)	Diesel		10518	228	310	06.05-	*	*	
26.320 (D 2066 LF 39)	Diesel		10518	235	320	04.06-	*	*	
26.350 (D 2066 LF 03)	Diesel		10518	257	350	02.04-	*	*	
26.350 (D 2066 LF 13)	Diesel		10518	257	350	02.04-	*	*	
26.350, 26.360 (D 2066 LF 03)	Diesel		10518	257	350	05.04-	*	*	
26.350, 26.360 (D 2066 LF 13)	Diesel		10518	257	350	05.04-	*	*	
26.350, 26.360 (D 2066 LF 33)	Diesel		10518	257	350	05.04-	*	*	
26.350, 26.360 (D 2066 LF 38)	Diesel		10518	257	350	05.04-	*	*	
26.360 (D 2066 LF 38)	Diesel		10518	265	360	06.04-	*	*	
26.390 (D 2066 LF 02)	Diesel		10518	287	390	02.04-	*	*	
26.390 (D 2066 LF 12)	Diesel		10518	287	390	02.04-	*	*	
26.390, 26.400 (D 2066 LF 02)	Diesel		10518	287	390	06.05-	*	*	
26.390, 26.400 (D 2066 LF 12)	Diesel		10518	287	390	06.05-	*	*	
26.390, 26.400 (D 2066 LF 32)	Diesel		10518	287	390	06.05-	*	*	
26.390, 26.400 (D 2066 LF 37)	Diesel		10518	287	390	06.05-	*	*	
33.390, 33.400 (D 2066 LF 02)	Diesel		10518	287	390	06.05-	*	*	
33.390, 33.400 (D 2066 LF 06)	Diesel		10518	287	390	06.05-	*	*	
33.390, 33.400 (D 2066 LF 12)	Diesel		10518	287	390	06.05-	*	*	
33.390, 33.400 (D 2066 LF 32)	Diesel		10518	287	390	06.05-	*	*	
33.390, 33.400 (D 2066 LF 37)	Diesel		10518	287	390	06.05-	*	*	
40.390, 40.400 (D 2066 LF 02)	Diesel		10518	287	390	06.05-	*	*	
40.390, 40.400 (D 2066 LF 06)	Diesel		10518	287	390	06.05-	*	*	
40.390, 40.400 (D 2066 LF 12)	Diesel		10518	287	390	06.05-	*	*	
40.390, 40.400 (D 2066 LF 37)	Diesel		10518	287	390	06.05-	*	*	
26.400 (D 2066 LF 37)	Diesel		10518	294	400	01.04-	*	*	
26.430 (D 2066 LF 01)	Diesel		10518	316	430	01.04-	*	*	
26.430 (D 2066 LF 11)	Diesel		10518	316	430	01.04-	*	*	
26.430, 26.440 (D 2066 LF 01)	Diesel		10518	316	430	06.05-	*	*	
26.430, 26.440 (D 2066 LF 11)	Diesel		10518	316	430	06.05-	*	*	

# LISTA DE APLICACIONES - BUYERS GUIDE

26.430, 26.440 (D 2066 LF 31)	Diesel	10518	316	430	06.05-	*	*
26.430, 26.440 (D 2066 LF 36)	Diesel	10518	316	430	06.05-	*	*
33.430, 33.440 (D 2066 LF 01)	Diesel	10518	316	430	06.05-	*	*
33.430, 33.440 (D 2066 LF 11)	Diesel	10518	316	430	06.05-	*	*
33.430, 33.440 (D 2066 LF 31)	Diesel	10518	316	430	06.05-	*	*
33.430, 33.440 (D 2066 LF 36)	Diesel	10518	316	430	06.05-	*	*
40.430, 40.440 (D 2066 LF 01)	Diesel	10518	316	430	06.05-	*	*
40.430, 40.440 (D 2066 LF 11)	Diesel	10518	316	430	06.05-	*	*
40.430, 40.440 (D 2066 LF 36)	Diesel	10518	316	430	06.05-	*	*
26.440 (D 2066 LF 36)	Diesel	10518	324	440	01.04-	*	*
18.310 (D 2866 LF26)	Diesel	11967	228	310	09.02-	*	*
26.310 (D 2866 LF26)	Diesel	11967	228	310	02.02-	*	*
26.310	Diesel	11967	228	310	12.00-	*	
18.360 (D 2866 LF27)	Diesel	11967	265	360	09.02-	*	*
26.360 (D 2866 LF27)	Diesel	11967	265	360	02.02-	*	*
26.360	Diesel	11967	265	360	12.00-	*	
18.410 (D 2866 LF28)	Diesel	11967	301	410	09.02-	*	*
26.410 (D 2866 LF28)	Diesel	11967	301	410	02.02-	*	*
40.410 (D 2866 LF28)	Diesel	11967	301	410	04.04-	*	*
40.410 (D 2866 LF32)	Diesel	11967	301	410	04.04-	*	*
33.440 (D 2676 LF 04)	Diesel	12419	324	440	06.05-	*	*
40.440 (D 2676 LF 04)	Diesel	12419	324	440	06.05-	*	*
26.480 (D 2676 LF 01)	Diesel	12419	353	480	02.06-	*	*
33.480 (D 2676 LF 01)	Diesel	12419	353	480	02.06-	*	*
33.480 (D 2676 LF 02)	Diesel	12419	353	480	02.06-	*	*
33.480 (D 2676 LF 03)	Diesel	12419	353	480	02.06-	*	*
33.480 (D 2676 LF 05)	Diesel	12419	353	480	02.06-	*	*
40.480 (D 2676 LF 02)	Diesel	12419	353	480	06.05-	*	*
40.480 (D 2676 LF 03)	Diesel	12419	353	480	06.05-	*	*
26.460	Diesel	12816	338	460	12.00-	*	
33.460 (D 2876 LF 07)	Diesel	12816	338	460	09.02-	*	*
40.460 (D 2876 LF 07)	Diesel	12816	338	460	04.04-	*	*
18.480 (D 2876 LF 12)	Diesel	12816	353	480	09.02-	*	*
26.480 (D 2876 LF 12)	Diesel	12816	353	480	09.02-	*	*
26.480	Diesel	12816	353	480	09.02-	*	
40.480 (D 2876 LF 12)	Diesel	12816	353	480	04.04-	*	*
40.480 (D 2876 LF 25)	Diesel	12816	353	480	04.04-	*	*
26.510	Diesel	12816	375	510	12.00-	*	
18.530 (D 2876 LF 13)	Diesel	12816	390	530	04.04-	*	*
26.530 (D 2876 LF 13)	Diesel	12816	390	530	07.06-	*	*
26.530	Diesel	12816	390	530	09.02-	*	
<b>TGA 03.00-</b>							<b>Caja/Chasis</b>
26.310 (D 2066 LF 04)	Diesel	10518	228	310	01.04-	*	*
26.310, 26.320 (D 2066 LF 04)	Diesel	10518	228	310	06.05-	*	*
26.310, 26.320 (D 2066 LF 35)	Diesel	10518	228	310	06.05-	*	*
26.310, 26.320 (D 2066 LF 39)	Diesel	10518	228	310	06.05-	*	*
28.310	Diesel	10518	228	310	07.06-	*	
28.320	Diesel	10518	228	310	07.06-	*	
26.320 (D 2066 LF 39)	Diesel	10518	235	320	06.05-	*	*
26.350 (D 2066 LF 03)	Diesel	10518	257	350	04.05-	*	*
26.350 (D 2066 LF 13)	Diesel	10518	257	350	04.05-	*	*

# LISTA DE APLICACIONES - BUYERS GUIDE

28.350, 28.360		Diesel		10518	257	350	06.04-	*	
26.360 (D 2066 LF 38)		Diesel		10518	265	360	06.04-	*	*
35.360		Diesel		10518	265	360	07.06-	*	
26.390 (D 2066 LF 02)		Diesel		10518	287	390	01.04-	*	*
26.390 (D 2066 LF 12)		Diesel		10518	287	390	01.04-	*	*
26.390, 26.400 (D 2066 LF 02)		Diesel		10518	287	390	06.05-	*	*
26.390, 26.400 (D 2066 LF 12)		Diesel		10518	287	390	06.05-	*	*
26.390, 26.400 (D 2066 LF 32)		Diesel		10518	287	390	06.05-	*	*
26.390, 26.400 (D 2066 LF 37)		Diesel		10518	287	390	06.05-	*	*
28.390 (D 2066 LF 02)		Diesel		10518	287	390	07.06-	*	
28.390 (D 2066 LF 12)		Diesel		10518	287	390	07.06-	*	
28.390, 28.400		Diesel		10518	287	390	06.04-	*	
33.390, 33.400 (D 2066 LF 02)		Diesel		10518	287	390	06.05-	*	*
33.390, 33.400 (D 2066 LF 06)		Diesel		10518	287	390	06.05-	*	*
33.390, 33.400 (D 2066 LF 12)		Diesel		10518	287	390	06.05-	*	*
33.390, 33.400 (D 2066 LF 32)		Diesel		10518	287	390	06.05-	*	*
33.390, 33.400 (D 2066 LF 37)		Diesel		10518	287	390	06.05-	*	*
26.400 (D 2066 LF 37)		Diesel		10518	294	400	01.04-	*	*
28.400 (D 2066 LF 26)		Diesel		10518	294	400	07.06-	*	
28.400 (D 2066 LF 37)		Diesel		10518	294	400	07.06-	*	
35.400		Diesel		10518	294	400	11.06-	*	
26.430 (D 2066 LF 01)		Diesel		10518	316	430	01.04-	*	*
26.430 (D 2066 LF 11)		Diesel		10518	316	430	01.04-	*	*
26.430, 26.440 (D 2066 LF 01)		Diesel		10518	316	430	06.05-	*	*
26.430, 26.440 (D 2066 LF 11)		Diesel		10518	316	430	06.05-	*	*
26.430, 26.440 (D 2066 LF 31)		Diesel		10518	316	430	06.05-	*	*
26.430, 26.440 (D 2066 LF 36)		Diesel		10518	316	430	06.05-	*	*
26.430, 26.440		Diesel		10518	316	430	05.04-	*	
28.430		Diesel		10518	316	430	09.02-10.08	*	
33.430, 33.440 (D 2066 LF 01)		Diesel		10518	316	430	06.05-	*	*
33.430, 33.440 (D 2066 LF 11)		Diesel		10518	316	430	06.05-	*	*
33.430, 33.440 (D 2066 LF 31)		Diesel		10518	316	430	06.05-	*	*
33.430, 33.440 (D 2066 LF 36)		Diesel		10518	316	430	06.05-	*	*
26.440 (D 2066 LF 36)		Diesel		10518	324	440	09.05-	*	*
28.440		Diesel		10518	324	440	07.06-	*	
35.440		Diesel		10518	324	440	11.06-	*	
18.310 (D 2866 LF26)		Diesel		11967	228	310	09.02-	*	*
26.310 (D 2866 LF26)		Diesel		11967	228	310	02.02-	*	*
28.310		Diesel		11967	228	310	07.06-	*	
18.360 (D 2866 LF27)		Diesel		11967	265	360	09.02-	*	*
26.360 (D 2866 LF27)		Diesel		11967	265	360	02.02-	*	*
26.360 (D 2866 LF37)		Diesel		11967	265	360	02.02-	*	*
26.360		Diesel		11967	265	360	09.00-	*	
28.360		Diesel		11967	265	360	07.06-	*	
18.410 (D 2866 LF28)		Diesel		11967	301	410	09.02-	*	*
26.410 (D 2866 LF28)		Diesel		11967	301	410	02.02-	*	*
26.410 (D 2866 LF32)		Diesel		11967	301	410	02.02-	*	*
28.410		Diesel		11967	301	410	07.06-	*	
33.440 (D 2676 LF 04)		Diesel		12419	324	440	06.05-	*	*
26.480 (D 2676 LF 01)		Diesel		12419	353	480	02.06-	*	*
26.480 (D 2676 LF 05)		Diesel		12419	353	480	02.06-	*	*

# LISTA DE APLICACIONES - BUYERS GUIDE

26.480		Diesel		12419	353	480	02.06-	*	
33.480 (D 2676 LF 01)		Diesel		12419	353	480	02.06-	*	*
33.480 (D 2676 LF 02)		Diesel		12419	353	480	02.06-	*	*
33.480 (D 2676 LF 03)		Diesel		12419	353	480	02.06-	*	*
33.480 (D 2676 LF 05)		Diesel		12419	353	480	02.06-	*	*
35.480		Diesel		12419	353	480	11.06-	*	
26.540		Diesel		12419	397	540	08.06-	*	
33.460 (D 2876 LF 07)		Diesel		12816	338	460	09.02-	*	*
18.480 (D 2876 LF 12)		Diesel		12816	353	480	09.02-	*	*
26.480 (D 2876 LF 12)		Diesel		12816	353	480	09.02-	*	*
26.480		Diesel		12816	353	480	09.02-	*	
26.510		Diesel		12816	375	510	12.00-	*	
18.530 (D 2876 LF 13)		Diesel		12816	390	530	04.04-	*	*
26.530 (D 2876 LF 13)		Diesel		12816	390	530	07.06-	*	*
26.530		Diesel		12816	390	530	09.02-	*	
33.530 (D 2876 LF 13)		Diesel		12816	390	530	09.02-	*	*
<b>TGA 03.00-</b>				<b>Camión volquete</b>					
26.310 (D 2066 LF 04)		Diesel		10518	228	310	01.04-	*	*
26.320 (D 2066 LF 39)		Diesel		10518	235	320	04.06-	*	*
26.350 (D 2066 LF 03)		Diesel		10518	257	350	02.04-	*	*
26.350 (D 2066 LF 13)		Diesel		10518	257	350	02.04-	*	*
26.350, 26.360 (D 2066 LF 03)		Diesel		10518	257	350	05.04-	*	*
26.350, 26.360 (D 2066 LF 13)		Diesel		10518	257	350	05.04-	*	*
26.350, 26.360 (D 2066 LF 33)		Diesel		10518	257	350	05.04-	*	*
26.350, 26.360 (D 2066 LF 38)		Diesel		10518	257	350	05.04-	*	*
26.360 (D 2066 LF 38)		Diesel		10518	265	360	06.04-	*	*
26.390 (D 2066 LF 02)		Diesel		10518	287	390	02.04-	*	*
26.390 (D 2066 LF 12)		Diesel		10518	287	390	02.04-	*	*
26.390, 26.400 (D 2066 LF 02)		Diesel		10518	287	390	06.05-	*	*
26.390, 26.400 (D 2066 LF 12)		Diesel		10518	287	390	06.05-	*	*
26.390, 26.400 (D 2066 LF 32)		Diesel		10518	287	390	06.05-	*	*
26.390, 26.400 (D 2066 LF 37)		Diesel		10518	287	390	06.05-	*	*
33.390, 33.400 (D 2066 LF 02)		Diesel		10518	287	390	06.05-	*	*
33.390, 33.400 (D 2066 LF 06)		Diesel		10518	287	390	06.05-	*	*
33.390, 33.400 (D 2066 LF 12)		Diesel		10518	287	390	06.05-	*	*
33.390, 33.400 (D 2066 LF 32)		Diesel		10518	287	390	06.05-	*	*
33.390, 33.400 (D 2066 LF 37)		Diesel		10518	287	390	06.05-	*	*
40.390, 40.400 (D 2066 LF 02)		Diesel		10518	287	390	06.05-	*	*
40.390, 40.400 (D 2066 LF 06)		Diesel		10518	287	390	06.05-	*	*
40.390, 40.400 (D 2066 LF 12)		Diesel		10518	287	390	06.05-	*	*
40.390, 40.400 (D 2066 LF 37)		Diesel		10518	287	390	06.05-	*	*
26.400 (D 2066 LF 37)		Diesel		10518	294	400	01.04-	*	*
26.430 (D 2066 LF 01)		Diesel		10518	316	430	01.04-	*	*
26.430 (D 2066 LF 11)		Diesel		10518	316	430	01.04-	*	*
26.430, 26.440 (D 2066 LF 01)		Diesel		10518	316	430	06.05-	*	*
26.430, 26.440 (D 2066 LF 11)		Diesel		10518	316	430	06.05-	*	*
26.430, 26.440 (D 2066 LF 31)		Diesel		10518	316	430	06.05-	*	*
26.430, 26.440 (D 2066 LF 36)		Diesel		10518	316	430	06.05-	*	*
33.430, 33.440 (D 2066 LF 01)		Diesel		10518	316	430	06.05-	*	*
33.430, 33.440 (D 2066 LF 11)		Diesel		10518	316	430	06.05-	*	*
33.430, 33.440 (D 2066 LF 31)		Diesel		10518	316	430	06.05-	*	*

# LISTA DE APLICACIONES - BUYERS GUIDE

33.430, 33.440 (D 2066 LF 36)		Diesel		10518	316	430	06.05-	*	*
40.430, 40.440 (D 2066 LF 01)		Diesel		10518	316	430	06.05-	*	*
40.430, 40.440 (D 2066 LF 11)		Diesel		10518	316	430	06.05-	*	*
40.430, 40.440 (D 2066 LF 36)		Diesel		10518	316	430	06.05-	*	*
26.440 (D 2066 LF 36)		Diesel		10518	324	440	01.04-	*	*
35.440		Diesel		10518	324	440	07.06-	*	
18.310 (D 2866 LF26)		Diesel		11967	228	310	09.02-	*	*
26.310 (D 2866 LF26)		Diesel		11967	228	310	02.02-	*	*
18.360 (D 2866 LF27)		Diesel		11967	265	360	09.02-	*	*
26.360 (D 2866 LF27)		Diesel		11967	265	360	02.02-	*	*
26.360 (D 2866 LF37)		Diesel		11967	265	360	02.02-	*	*
18.410, 18.420 (D 2866 LF28)		Diesel		11967	301	410	09.02-	*	*
26.410 (D 2866 LF28)		Diesel		11967	301	410	02.02-	*	
40.410 (D 2866 LF28)		Diesel		11967	301	410	04.04-	*	*
40.410 (D 2866 LF32)		Diesel		11967	301	410	04.04-	*	*
33.440 (D 2676 LF 04)		Diesel		12419	324	440	06.05-	*	*
40.440 (D 2676 LF 04)		Diesel		12419	324	440	06.05-	*	*
26.480 (D 2676 LF 01)		Diesel		12419	353	480	02.06-	*	*
26.480 (D 2676 LF 05)		Diesel		12419	353	480	02.06-	*	*
33.480 (D 2676 LF 01)		Diesel		12419	353	480	02.06-	*	*
33.480 (D 2676 LF 02)		Diesel		12419	353	480	02.06-	*	*
33.480 (D 2676 LF 03)		Diesel		12419	353	480	02.06-	*	*
33.480 (D 2676 LF 05)		Diesel		12419	353	480	02.06-	*	*
40.480 (D 2676 LF 02)		Diesel		12419	353	480	06.05-	*	*
40.480 (D 2676 LF 03)		Diesel		12419	353	480	06.05-	*	*
33.460 (D 2876 LF 07)		Diesel		12816	338	460	09.02-	*	*
40.460 (D 2876 LF 07)		Diesel		12816	338	460	04.04-	*	*
18.480 (D 2876 LF 12)		Diesel		12816	353	480	09.02-	*	*
26.480 (D 2876 LF 12)		Diesel		12816	353	480	09.02-	*	*
40.480 (D 2876 LF 12)		Diesel		12816	353	480	04.04-	*	*
40.480 (D 2876 LF 25)		Diesel		12816	353	480	04.04-	*	*
18.530 (D 2876 LF 13)		Diesel		12816	390	530	04.04-	*	*
26.530 (D 2876 LF 13)		Diesel		12816	390	530	09.02-	*	*
<b>TGA 03.00-</b>									<b>Hormigonera</b>
26.310, 26.320 (D 2066 LF 04)		Diesel		10518	228	310	06.05-	*	*
26.310, 26.320 (D 2066 LF 35)		Diesel		10518	228	310	06.05-	*	*
26.310, 26.320 (D 2066 LF 39)		Diesel		10518	228	310	06.05-	*	*
26.350, 26.360 (D 2066 LF 03)		Diesel		10518	257	350	05.04-	*	*
26.350, 26.360 (D 2066 LF 13)		Diesel		10518	257	350	05.04-	*	*
26.350, 26.360 (D 2066 LF 33)		Diesel		10518	257	350	05.04-	*	*
26.350, 26.360 (D 2066 LF 38)		Diesel		10518	257	350	05.04-	*	*
26.390 (D 2066 LF 02)		Diesel		10518	287	390	06.05-	*	*
26.390 (D 2066 LF 12)		Diesel		10518	287	390	06.05-	*	*
26.400 (D 2066 LF 37)		Diesel		10518	294	400	04.06-	*	*
26.430, 26.440 (D 2066 LF 01)		Diesel		10518	316	430	06.05-	*	*
26.430, 26.440 (D 2066 LF 11)		Diesel		10518	316	430	06.05-	*	*
26.430, 26.440 (D 2066 LF 31)		Diesel		10518	316	430	06.05-	*	*
26.430, 26.440 (D 2066 LF 36)		Diesel		10518	316	430	06.05-	*	*
33.430 (D 2066 LF 01)		Diesel		10518	316	430	09.07-	*	
26.480 (D 2676 LF 01)		Diesel		12419	353	480	02.06-	*	*
26.480 (D 2676 LF 05)		Diesel		12419	353	480	02.06-	*	*

# LISTA DE APLICACIONES - BUYERS GUIDE

TGA 03.00-				Veh. Municipal				
26.430, 26.440	Diesel		10518	316	430	06.05-	*	
TGS 01.05-				Cabeza tractora				
26.320	Diesel		10518	235	320	07.08-09.21	*	*
40.320	Diesel		10518	235	320	05.09-09.21	*	
26.360	Diesel		10518	265	360	08.08-09.21	*	*
26.400	Diesel		10518	294	400	02.09-09.21	*	*
26.440	Diesel		10518	324	440	02.09-09.21	*	*
18.420	Diesel		12419	309	420	09.16-09.21	*	
18.420	Diesel		12419	309	420	09.16-09.21	*	
24.420	Diesel		12419	309	420	09.16-09.21	*	
26.420	Diesel		12419	309	420	09.16-09.21	*	
26.420	Diesel		12419	309	420	09.16-09.21	*	
26.420	Diesel		12419	309	420	09.16-09.21	*	
26.420	Diesel		12419	309	420	09.16-09.21	*	
26.420	Diesel		12419	309	420	09.16-09.21	*	
28.420	Diesel		12419	309	420	09.16-09.21	*	
33.420	Diesel		12419	309	420	09.16-09.21	*	
33.420	Diesel		12419	309	420	09.16-09.21	*	
26.440	Diesel		12419	324	440	10.07-09.21	*	*
18.460	Diesel		12419	338	460	09.16-09.21	*	
18.460	Diesel		12419	338	460	09.16-09.21	*	
24.460	Diesel		12419	338	460	09.16-09.21	*	
26.460	Diesel		12419	338	460	09.16-09.21	*	
26.460	Diesel		12419	338	460	09.16-09.21	*	
26.460	Diesel		12419	338	460	09.16-09.21	*	
26.460	Diesel		12419	338	460	09.16-09.21	*	
26.460	Diesel		12419	338	460	09.16-09.21	*	
28.460	Diesel		12419	338	460	09.16-09.21	*	
33.460	Diesel		12419	338	460	09.16-09.21	*	
33.460	Diesel		12419	338	460	09.16-09.21	*	
26.480	Diesel		12419	353	480	02.09-09.21	*	*
18.500	Diesel		12419	368	500	09.16-09.21	*	
18.500	Diesel		12419	368	500	09.16-09.21	*	
24.500	Diesel		12419	368	500	09.16-09.21	*	
26.500	Diesel		12419	368	500	09.16-09.21	*	
26.500	Diesel		12419	368	500	09.16-09.21	*	
26.500	Diesel		12419	368	500	09.16-09.21	*	
26.500	Diesel		12419	368	500	09.16-09.21	*	
28.500	Diesel		12419	368	500	09.16-09.21	*	
33.500	Diesel		12419	368	500	09.16-09.21	*	
33.500	Diesel		12419	368	500	09.16-09.21	*	
26.540	Diesel		12419	397	540	02.09-09.21	*	*
TGS 01.05-				Caja/Chasis				
24.320	Diesel		10518	235	320	09.16-09.21	*	
26.320	Diesel		10518	235	320	10.07-09.21	*	*
28.320	Diesel		10518	235	320	07.08-09.21	*	*
35.320	Diesel		10518	235	320	09.16-09.21	*	
24.360	Diesel		10518	265	360	09.16-09.21	*	
26.360	Diesel		10518	265	360	10.07-09.21	*	*
28.360	Diesel		10518	265	360	08.08-09.21	*	*
35.360	Diesel		10518	265	360	09.16-09.21	*	

# LISTA DE APLICACIONES - BUYERS GUIDE

26.400		Diesel		10518	294	400	10.07-09.21	*	*
28.400		Diesel		10518	294	400	08.08-09.21	*	*
26.440		Diesel		10518	324	440	10.07-09.21	*	*
28.440		Diesel		10518	324	440	08.08-09.21	*	*
18.420		Diesel		12419	309	420	09.16-09.21	*	
18.420		Diesel		12419	309	420	09.16-09.21	*	
24.420		Diesel		12419	309	420	09.16-09.21	*	
24.420		Diesel		12419	309	420	09.16-09.21	*	
26.420		Diesel		12419	309	420	09.16-09.21	*	
26.420		Diesel		12419	309	420	09.16-09.21	*	
26.420		Diesel		12419	309	420	09.16-09.21	*	
26.420		Diesel		12419	309	420	09.16-09.21	*	
26.420		Diesel		12419	309	420	09.16-09.21	*	
28.420		Diesel		12419	309	420	09.16-09.21	*	
28.420		Diesel		12419	309	420	09.16-09.21	*	
28.420		Diesel		12419	309	420	09.16-09.21	*	
32.420		Diesel		12419	309	420	09.16-09.21	*	
33.420		Diesel		12419	309	420	09.16-09.21	*	
33.420		Diesel		12419	309	420	09.16-09.21	*	
35.420		Diesel		12419	309	420	09.16-09.21	*	
35.420		Diesel		12419	309	420	09.16-09.21	*	
35.420		Diesel		12419	309	420	09.16-09.21	*	
35.420		Diesel		12419	309	420	09.16-09.21	*	
37.420		Diesel		12419	309	420	09.16-09.21	*	
41.420		Diesel		12419	309	420	09.16-09.21	*	
26.440		Diesel		12419	324	441	10.07-09.21	*	*
18.460		Diesel		12419	338	460	09.16-09.21	*	
18.460		Diesel		12419	338	460	09.16-09.21	*	
24.460		Diesel		12419	338	460	09.16-09.21	*	
24.460		Diesel		12419	338	460	09.16-09.21	*	
26.460		Diesel		12419	338	460	09.16-09.21	*	
26.460		Diesel		12419	338	460	09.16-09.21	*	
26.460		Diesel		12419	338	460	09.16-09.21	*	
26.460		Diesel		12419	338	460	09.16-09.21	*	
26.460		Diesel		12419	338	460	09.16-09.21	*	
28.460		Diesel		12419	338	460	09.16-09.21	*	
28.460		Diesel		12419	338	460	09.16-09.21	*	
28.460		Diesel		12419	338	460	09.16-09.21	*	
32.460		Diesel		12419	338	460	09.16-09.21	*	
33.460		Diesel		12419	338	460	09.16-09.21	*	
33.460		Diesel		12419	338	460	09.16-09.21	*	
35.460		Diesel		12419	338	460	09.16-09.21	*	
35.460		Diesel		12419	338	460	09.16-09.21	*	
35.460		Diesel		12419	338	460	09.16-09.21	*	
35.460		Diesel		12419	338	460	09.16-09.21	*	
37.460		Diesel		12419	338	460	09.16-09.21	*	
41.460		Diesel		12419	338	460	09.16-09.21	*	
26.480		Diesel		12419	353	480	10.07-09.21	*	*
28.480		Diesel		12419	353	480	08.08-09.21	*	*
18.500		Diesel		12419	368	500	09.16-09.21	*	
18.500		Diesel		12419	368	500	09.16-09.21	*	

# LISTA DE APLICACIONES - BUYERS GUIDE

24.500		Diesel		12419	368	500	09.16-09.21	*	
24.500		Diesel		12419	368	500	09.16-09.21	*	
26.500		Diesel		12419	368	500	09.16-09.21	*	
26.500		Diesel		12419	368	500	09.16-09.21	*	
26.500		Diesel		12419	368	500	09.16-09.21	*	
26.500		Diesel		12419	368	500	09.16-09.21	*	
26.500		Diesel		12419	368	500	09.16-09.21	*	
28.500		Diesel		12419	368	500	09.16-09.21	*	
28.500		Diesel		12419	368	500	09.16-09.21	*	
28.500		Diesel		12419	368	500	09.16-09.21	*	
32.500		Diesel		12419	368	500	09.16-09.21	*	
33.500		Diesel		12419	368	500	09.16-09.21	*	
33.500		Diesel		12419	368	500	09.16-09.21	*	
35.500		Diesel		12419	368	500	09.16-09.21	*	
35.500		Diesel		12419	368	500	09.16-09.21	*	
35.500		Diesel		12419	368	500	09.16-09.21	*	
35.500		Diesel		12419	368	500	09.16-09.21	*	
37.500		Diesel		12419	368	500	09.16-09.21	*	
41.500		Diesel		12419	368	500	09.16-09.21	*	
26.540		Diesel		12419	397	540	10.07-09.21	*	*
28.540		Diesel		12419	397	540	02.09-09.21	*	*
<b>TGS 01.05-</b>					<b>Camión volquete</b>				
40.320		Diesel		10518	235	320	05.09-09.21	*	
18.420		Diesel		12419	309	420	09.16-09.21	*	
18.420		Diesel		12419	309	420	09.16-09.21	*	
26.420		Diesel		12419	309	420	09.16-09.21	*	
26.420		Diesel		12419	309	420	09.16-09.21	*	
28.420		Diesel		12419	309	420	09.16-09.21	*	
33.420		Diesel		12419	309	420	09.16-09.21	*	
33.420		Diesel		12419	309	420	09.16-09.21	*	
35.420		Diesel		12419	309	420	09.16-09.21	*	
35.420		Diesel		12419	309	420	09.16-09.21	*	
35.420		Diesel		12419	309	420	09.16-09.21	*	
37.420		Diesel		12419	309	420	09.16-09.21	*	
41.420		Diesel		12419	309	420	09.16-09.21	*	
41.420		Diesel		12419	309	420	09.16-09.21	*	
41.420		Diesel		12419	309	420	09.16-09.21	*	
18.460		Diesel		12419	338	460	09.16-09.21	*	
18.460		Diesel		12419	338	460	09.16-09.21	*	
26.460		Diesel		12419	338	460	09.16-09.21	*	
26.460		Diesel		12419	338	460	09.16-09.21	*	
28.460		Diesel		12419	338	460	09.16-09.21	*	
33.460		Diesel		12419	338	460	09.16-09.21	*	
33.460		Diesel		12419	338	460	09.16-09.21	*	
35.460		Diesel		12419	338	460	09.16-09.21	*	
35.460		Diesel		12419	338	460	09.16-09.21	*	
35.460		Diesel		12419	338	460	09.16-09.21	*	
37.460		Diesel		12419	338	460	09.16-09.21	*	
41.460		Diesel		12419	338	460	09.16-09.21	*	
41.460		Diesel		12419	338	460	09.16-09.21	*	
41.460		Diesel		12419	338	460	09.16-09.21	*	

# LISTA DE APLICACIONES - BUYERS GUIDE

18.500		Diesel		12419	368	500	09.16-09.21	*	
18.500		Diesel		12419	368	500	09.16-09.21	*	
26.500		Diesel		12419	368	500	09.16-09.21	*	
26.500		Diesel		12419	368	500	09.16-09.21	*	
28.500		Diesel		12419	368	500	09.16-09.21	*	
33.500		Diesel		12419	368	500	09.16-09.21	*	
33.500		Diesel		12419	368	500	09.16-09.21	*	
35.500		Diesel		12419	368	500	09.16-09.21	*	
35.500		Diesel		12419	368	500	09.16-09.21	*	
35.500		Diesel		12419	368	500	09.16-09.21	*	
37.500		Diesel		12419	368	500	09.16-09.21	*	
41.500		Diesel		12419	368	500	09.16-09.21	*	
41.500		Diesel		12419	368	500	09.16-09.21	*	
41.500		Diesel		12419	368	500	09.16-09.21	*	
<b>TGS 01.05-</b>					<b>Hormigonera</b>				
33.320		Diesel		10518	235	320	05.09-09.21	*	
33.360 (D 2066 LF 07)		Diesel		10518	265	360	06.08-09.21	*	
33.360 (D 2066 LF 48)		Diesel		10518	265	360	06.08-09.21	*	
33.360 (D 2066 LF 64)		Diesel		10518	265	360	06.08-09.21	*	
26.420		Diesel		12419	309	420	09.16-09.21	*	
32.420		Diesel		12419	309	420	09.16-09.21	*	
35.420		Diesel		12419	309	420	09.16-09.21	*	
37.420		Diesel		12419	309	420	09.16-09.21	*	
41.420		Diesel		12419	309	420	09.16-09.21	*	
26.460		Diesel		12419	338	460	09.16-09.21	*	
32.460		Diesel		12419	338	460	09.16-09.21	*	
35.460		Diesel		12419	338	460	09.16-09.21	*	
37.460		Diesel		12419	338	460	09.16-09.21	*	
41.460		Diesel		12419	338	460	09.16-09.21	*	
26.500		Diesel		12419	368	500	09.16-09.21	*	
32.500		Diesel		12419	368	500	09.16-09.21	*	
35.500		Diesel		12419	368	500	09.16-09.21	*	
37.500		Diesel		12419	368	500	09.16-09.21	*	
41.500		Diesel		12419	368	500	09.16-09.21	*	
<b>TGX 06.06-</b>					<b>Cabeza tractora</b>				
26.360		Diesel		10518	265	360	10.07-09.21	*	*
26.400		Diesel		10518	294	400	10.07-09.21	*	*
26.440		Diesel		10518	324	440	10.07-09.21	*	*
18.420		Diesel		12419	309	420	09.16-09.21	*	
18.420		Diesel		12419	309	420	09.16-09.21	*	
24.420		Diesel		12419	309	420	09.16-09.21	*	
26.420		Diesel		12419	309	420	09.16-09.21	*	
26.420		Diesel		12419	309	420	09.16-09.21	*	
26.420		Diesel		12419	309	420	09.16-09.21	*	
28.420		Diesel		12419	309	420	09.16-09.21	*	
33.420		Diesel		12419	309	420	09.16-09.21	*	
26.440 (D 2676 LF 22)		Diesel		12419	324	440	10.12-09.21	*	*
26.440 (D 2676 LF 26)		Diesel		12419	324	440	10.12-09.21	*	*
18.460		Diesel		12419	338	460	09.16-09.21	*	
18.460		Diesel		12419	338	460	09.16-09.21	*	
24.460		Diesel		12419	338	460	09.16-09.21	*	

# LISTA DE APLICACIONES - BUYERS GUIDE

26.460		Diesel		12419	338	460	09.16-09.21	*	
26.460		Diesel		12419	338	460	09.16-09.21	*	
26.460		Diesel		12419	338	460	09.16-09.21	*	
28.460		Diesel		12419	338	460	09.16-09.21	*	
33.460		Diesel		12419	338	460	09.16-09.21	*	
26.480		Diesel		12419	353	480	10.07-09.21	*	*
18.500		Diesel		12419	368	500	09.16-09.21	*	
18.500		Diesel		12419	368	500	09.16-09.21	*	
24.500		Diesel		12419	368	500	09.16-09.21	*	
26.500		Diesel		12419	368	500	09.16-09.21	*	
26.500		Diesel		12419	368	500	09.16-09.21	*	
26.500		Diesel		12419	368	500	09.16-09.21	*	
28.500		Diesel		12419	368	500	09.16-09.21	*	
33.500		Diesel		12419	368	500	09.16-09.21	*	
26.540		Diesel		12419	397	540	10.07-09.21	*	*
18.520 (D 3876 LF02)		Diesel		15256	383	520	09.14-09.21	*	*
18.540		Diesel		15256	397	540	09.16-09.21	*	
26.540		Diesel		15256	397	540	09.16-09.21	*	
26.540		Diesel		15256	397	540	09.16-09.21	*	
26.540		Diesel		15256	397	540	09.16-09.21	*	
28.540		Diesel		15256	397	540	09.16-09.21	*	
33.540		Diesel		15256	397	540	09.16-09.21	*	
18.560 (D 3876 LF01)		Diesel		15256	412	560	09.14-09.21	*	*
18.580		Diesel		15256	427	581	09.16-09.21	*	
26.580		Diesel		15256	427	581	09.16-09.21	*	
26.580		Diesel		15256	427	581	09.16-09.21	*	
26.580		Diesel		15256	427	581	09.16-09.21	*	
28.580		Diesel		15256	427	581	09.16-09.21	*	
33.580		Diesel		15256	427	581	09.16-09.21	*	
41.580		Diesel		15256	427	581	09.16-09.21	*	
18.640 (D 3876 LF03)		Diesel		15256	471	640	09.16-09.21	*	*
26.640		Diesel		15256	471	640	09.16-09.21	*	
26.640		Diesel		15256	471	640	09.16-09.21	*	
26.640		Diesel		15256	471	640	09.16-09.21	*	
33.640		Diesel		15256	471	640	09.16-09.21	*	
41.640 (D 3876 LF03)		Diesel		15256	471	640	09.14-09.21	*	*
<b>TGX 06.06-</b>								<b>Caja/Chasis</b>	
26.360		Diesel		10518	265	360	09.16-09.21	*	
18.420		Diesel		12419	309	420	09.16-09.21	*	
24.420		Diesel		12419	309	420	09.16-09.21	*	
26.420		Diesel		12419	309	420	09.16-09.21	*	
26.420		Diesel		12419	309	420	09.16-09.21	*	
26.420		Diesel		12419	309	420	09.16-09.21	*	
28.420		Diesel		12419	309	420	09.16-09.21	*	
33.420		Diesel		12419	309	420	09.16-09.21	*	
35.420		Diesel		12419	309	420	09.16-09.21	*	
18.460		Diesel		12419	338	460	09.16-09.21	*	
24.460		Diesel		12419	338	460	09.16-09.21	*	
26.460		Diesel		12419	338	460	09.16-09.21	*	
26.460		Diesel		12419	338	460	09.16-09.21	*	
26.460		Diesel		12419	338	460	09.16-09.21	*	

# LISTA DE APLICACIONES - BUYERS GUIDE

28.460		Diesel		12419	338	460	09.16-09.21	*	
33.460		Diesel		12419	338	460	09.16-09.21	*	
35.460		Diesel		12419	338	460	09.16-09.21	*	
18.500		Diesel		12419	368	500	09.16-09.21	*	
24.500		Diesel		12419	368	500	09.16-09.21	*	
26.500		Diesel		12419	368	500	09.16-09.21	*	
26.500		Diesel		12419	368	500	09.16-09.21	*	
26.500		Diesel		12419	368	500	09.16-09.21	*	
28.500		Diesel		12419	368	500	09.16-09.21	*	
33.500		Diesel		12419	368	500	09.16-09.21	*	
35.500		Diesel		12419	368	500	09.16-09.21	*	
18.540		Diesel		15256	397	540	09.16-09.21	*	
26.540		Diesel		15256	397	540	09.16-09.21	*	
26.540		Diesel		15256	397	540	09.16-09.21	*	
26.540		Diesel		15256	397	540	09.16-09.21	*	
28.540		Diesel		15256	397	540	09.16-09.21	*	
33.540		Diesel		15256	397	540	09.16-09.21	*	
35.540		Diesel		15256	397	540	09.16-09.21	*	
18.580		Diesel		15256	427	581	09.16-09.21	*	
26.580		Diesel		15256	427	581	09.16-09.21	*	
26.580		Diesel		15256	427	581	09.16-09.21	*	
26.580		Diesel		15256	427	581	09.16-09.21	*	
28.580		Diesel		15256	427	581	09.16-09.21	*	
33.580		Diesel		15256	427	581	09.16-09.21	*	
35.580		Diesel		15256	427	581	09.16-09.21	*	
26.640		Diesel		15256	471	640	09.16-09.21	*	
26.640		Diesel		15256	471	640	09.16-09.21	*	
26.640		Diesel		15256	471	640	09.16-09.21	*	
33.640		Diesel		15256	471	640	09.16-09.21	*	
35.640		Diesel		15256	471	640	09.16-09.21	*	
<b>TGX 06.06-</b>					<b>Camión volquete</b>				
26.420		Diesel		12419	309	420	09.16-09.21	*	
33.420		Diesel		12419	309	420	09.16-09.21	*	
26.460		Diesel		12419	338	460	09.16-09.21	*	
33.460		Diesel		12419	338	460	09.16-09.21	*	
26.500		Diesel		12419	368	500	09.16-09.21	*	
33.500		Diesel		12419	368	500	09.16-09.21	*	
26.540		Diesel		15256	397	540	09.16-09.21	*	
33.540		Diesel		15256	397	540	09.16-09.21	*	
26.580		Diesel		15256	427	581	09.16-09.21	*	
33.580		Diesel		15256	427	581	09.16-09.21	*	
<b>MERCEDES-BENZ</b>									
<b>ACTROS 04.96-10.03</b>					<b>Cabeza tractora</b>				
1831 S, 1831 LS (OM 541.920)		Diesel		11946	230	313	04.96-10.02	*	*
1831 S, 1831 LS (OM 541.940)		Diesel		11946	230	313	04.96-10.02	*	*
2031AS (OM 541.926)		Diesel		11946	230	313	04.96-10.02	*	*
2031AS (OM 541.941)		Diesel		11946	230	313	04.96-10.02	*	*
2031S (OM 541.920)		Diesel		11946	230	313	04.96-10.02	*	*
2031S (OM 541.940)		Diesel		11946	230	313	04.96-10.02	*	*
2531 LS (OM 541.920)		Diesel		11946	230	313	09.96-10.02	*	*
2531 LS (OM 541.940)		Diesel		11946	230	313	09.96-10.02	*	*

## LISTA DE APLICACIONES - BUYERS GUIDE

3331 AS (OM 541.926)		Diesel		11946	230	313	04.97-10.02	*	*
3331 AS (OM 541.941)		Diesel		11946	230	313	04.97-10.02	*	*
3331 S (OM 541.920)		Diesel		11946	230	313	04.97-10.02	*	*
3331 S (OM 541.940)		Diesel		11946	230	313	04.97-10.02	*	*
1835 S, 1835 LS (OM 541.922)		Diesel		11946	260	354	04.96-10.02	*	*
1835 S, 1835 LS (OM 541.942)		Diesel		11946	260	354	04.96-10.02	*	*
2035 S (OM 541.922)		Diesel		11946	260	354	04.96-10.02	*	*
2035 S (OM 541.942)		Diesel		11946	260	354	04.96-10.02	*	*
2535 LS (OM 541.922)		Diesel		11946	260	354	09.96-10.02	*	*
2535 LS (OM 541.942)		Diesel		11946	260	354	09.96-10.02	*	*
3335 S (OM 541.922)		Diesel		11946	260	354	04.97-10.02	*	*
3336S (OM 541.942)		Diesel		11946	265	360	10.97-10.02	*	*
1840 S, 1840 LS (OM 541.923)		Diesel		11946	290	394	04.96-10.02	*	*
1840 S, 1840 LS (OM 541.944)		Diesel		11946	290	394	04.96-10.02	*	*
2040 AS (OM 541.924)		Diesel		11946	290	394	04.96-10.02	*	*
2040 AS (OM 541.945)		Diesel		11946	290	394	04.96-10.02	*	*
2040 S (OM 541.923)		Diesel		11946	290	394	04.96-10.02	*	*
2040 S (OM 541.944)		Diesel		11946	290	394	04.96-10.02	*	*
2540 LS (OM 541.923)		Diesel		11946	290	394	09.96-10.02	*	*
2540 LS (OM 541.944)		Diesel		11946	290	394	09.96-10.02	*	*
2640 S, 2640 LS (OM 541.923)		Diesel		11946	290	394	09.96-10.02	*	*
2640 S, 2640 LS (OM 541.944)		Diesel		11946	290	394	09.96-10.02	*	*
3340 AS (OM 541.924)		Diesel		11946	290	394	04.97-10.02	*	*
3340 AS (OM 541.945)		Diesel		11946	290	394	04.97-10.02	*	*
3340 S (OM 541.923)		Diesel		11946	290	394	04.97-10.02	*	*
3341 S (OM 541.944)		Diesel		11946	300	408	10.97-10.02	*	*
1843 S, 1843 LS (OM 541.925)		Diesel		11946	315	428	04.96-10.02	*	*
1843 S, 1843 LS (OM 541.946)		Diesel		11946	315	428	04.96-10.02	*	*
2043 AS (OM 541.921)		Diesel		11946	315	428	04.96-10.02	*	
2043 AS (OM 541.925)		Diesel		11946	315	428	04.96-10.02	*	
2043 AS (OM 541.947)		Diesel		11946	315	428	04.96-10.02	*	
2543 LS (OM 541.925)		Diesel		11946	315	428	09.96-10.02	*	*
2543 LS (OM 541.946)		Diesel		11946	315	428	09.96-10.02	*	*
2643 S, 2643 LS (OM 541.925)		Diesel		11946	315	428	04.97-10.02	*	*
2643 S, 2643 LS (OM 541.946)		Diesel		11946	315	428	04.97-10.02	*	*
3343 AS (OM 541.921)		Diesel		11946	315	428	04.97-10.02	*	*
3343 AS (OM 541.947)		Diesel		11946	315	428	04.97-10.02	*	*
3343 S (OM 541.925)		Diesel		11946	315	428	04.97-10.02	*	*
3343 S (OM 541.946)		Diesel		11946	315	428	04.97-10.02	*	*
1846 S, 1846 LS (OM 541.948)		Diesel		11946	335	456	10.98-10.02	*	*
2046 AS (OM 541.949)		Diesel		11946	335	456	10.96-10.02	*	*
2546 LS (OM 541.948)		Diesel		11946	335	456	10.97-10.02	*	*
2646 S, 2646 LS (OM 541.948)		Diesel		11946	335	456	10.97-10.02	*	*
3346 AS (OM 541.949)		Diesel		11946	335	456	10.97-10.02	*	*
3346 S (OM 541.948)		Diesel		11946	335	456	10.97-10.02	*	*
2648 S, 2648 LS (OM 541.948)		Diesel		11946	355	483	10.97-10.02	*	*
1848 S, 1848 LS (OM 542.921)		Diesel		15928	350	476	04.96-10.02	*	*
1848 S, 1848 LS (OM 542.940)		Diesel		15928	350	476	04.96-10.02	*	*
2048 AS (OM 542.925)		Diesel		15928	350	476	04.96-10.02	*	
2548 LS (OM 542.921)		Diesel		15928	350	476	09.96-10.02	*	*
2548 LS (OM 542.940)		Diesel		15928	350	476	09.96-10.02	*	*

# LISTA DE APLICACIONES - BUYERS GUIDE

2648 S, 2648 LS (OM 542.921)	Diesel	15928	350	476	09.96-10.02	*	*	
2648 S, 2648 LS (OM 542.940)	Diesel	15928	350	476	09.96-10.02	*	*	
3348 AS (OM 542.925)	Diesel	15928	350	476	04.97-10.02	*	*	
3348 S (OM 542.921)	Diesel	15928	350	476	04.97-10.02	*	*	
2050 AS (OM 542.941)	Diesel	15928	370	503	10.96-10.03	*	*	
2650 S, 2650 LS (OM 542.940)	Diesel	15928	370	503	10.97-10.02	*	*	
3350 AS (OM 542.941)	Diesel	15928	370	503	10.97-10.02	*	*	
3350 S (OM 542.940)	Diesel	15928	370	503	10.97-10.02	*	*	
1853 S, 1853 LS (OM 542.920)	Diesel	15928	390	530	04.96-10.02	*	*	
1853 S, 1853 LS (OM 542.942)	Diesel	15928	390	530	04.96-10.02	*	*	
2053 S (OM 542.920)	Diesel	15928	390	530	04.96-10.02	*	*	
2053 S (OM 542.942)	Diesel	15928	390	530	04.96-10.02	*	*	
2553 LS (OM 542.920)	Diesel	15928	390	530	09.96-10.02	*	*	
2553 LS (OM 542.942)	Diesel	15928	390	530	09.96-10.02	*	*	
2653 S, 2653 LS (OM 542.920)	Diesel	15928	390	530	09.96-10.02	*	*	
2653 S, 2653 LS (OM 542.942)	Diesel	15928	390	530	09.96-10.02	*	*	
3353 S (OM 542.920)	Diesel	15928	390	530	04.97-10.02	*	*	
3353 S (OM 542.942)	Diesel	15928	390	530	04.97-10.02	*	*	
1857 LS (OM 542.922)	Diesel	15928	420	571	04.97-10.02	*	*	
1857 LS (OM 542.944)	Diesel	15928	420	571	04.97-10.02	*	*	
2657 S, 2657 LS (OM 542.922)	Diesel	15928	420	571	04.97-10.02	*	*	
2657 S, 2657 LS (OM 542.944)	Diesel	15928	420	571	04.97-10.02	*	*	
3357 S (OM 542.922)	Diesel	15928	420	571	04.97-10.02	*	*	
3357 S (OM 542.944)	Diesel	15928	420	571	04.97-10.02	*	*	
<b>ACTROS 04.96-10.03</b>							<b>Caja/Chasis</b>	
1831, 1831 L (OM 541.920)	Diesel	11946	230	313	04.96-10.02	*	*	
2031 (OM 541.920)	Diesel	11946	230	313	04.97-10.02	*	*	
2031A (OM 541.926)	Diesel	11946	230	313	04.97-10.02	*	*	
2531, 2531 L (OM 541.920)	Diesel	11946	230	313	09.96-10.02	*	*	
2531, 2531 L (OM 541.940)	Diesel	11946	230	313	09.96-10.02	*	*	
2531, 2531 L	Diesel	11946	230	313	09.96-10.02	*	*	
2631, 2631 L (OM 541.920)	Diesel	11946	230	313	04.96-10.02	*	*	
3331 (OM 541.920)	Diesel	11946	230	313	04.97-10.02	*	*	
3331 A (OM 541.926)	Diesel	11946	230	313	04.97-10.02	*	*	
1835, 1835 L (OM 541.922)	Diesel	11946	260	354	04.96-10.02	*	*	
2035 A (OM 541.927)	Diesel	11946	260	354	04.97-10.02	*	*	
2035 A (OM 541.943)	Diesel	11946	260	354	04.97-10.02	*	*	
2535 L (OM 541.922)	Diesel	11946	260	354	09.96-10.02	*	*	
2535 L (OM 541.942)	Diesel	11946	260	354	09.96-10.02	*	*	
2535 L	Diesel	11946	260	354	09.96-10.02	*	*	
2635, 2635 L (OM 541.922)	Diesel	11946	260	354	04.96-10.02	*	*	
3235 (OM 541.922)	Diesel	11946	260	354	04.97-10.02	*	*	
3235 (OM 541.942)	Diesel	11946	260	354	04.97-10.02	*	*	
3335 (OM 541.922)	Diesel	11946	260	354	04.97-10.02	*	*	
1840, 1840 L (OM 541.923)	Diesel	11946	290	394	04.96-10.02	*	*	
2040 (OM 541.923)	Diesel	11946	290	394	09.96-10.02	*	*	
2540, 2540 L (OM 541.923)	Diesel	11946	290	394	09.96-10.02	*	*	
2540, 2540 L (OM 541.944)	Diesel	11946	290	394	09.96-10.02	*	*	
2640, 2640 L (OM 541.923)	Diesel	11946	290	394	04.96-10.02	*	*	
3240 (OM 541.923)	Diesel	11946	290	394	04.97-10.02	*	*	
3240 (OM 541.944)	Diesel	11946	290	394	04.97-10.02	*	*	

# LISTA DE APLICACIONES - BUYERS GUIDE

3340 (OM 541.923)		Diesel		11946	290	394	04.97-10.02	*	*
3340 A (OM 541.924)		Diesel		11946	290	394	04.97-10.02	*	*
1843, 1843 L (OM 541.925)		Diesel		11946	315	428	04.96-10.02	*	*
2543, 2543 L (OM 541.925)		Diesel		11946	315	428	09.96-10.02	*	*
2543, 2543 L (OM 541.946)		Diesel		11946	315	428	09.96-10.02	*	*
2643, 2643 L (OM 541.925)		Diesel		11946	315	428	04.96-10.02	*	*
3243 (OM 541.925)		Diesel		11946	315	428	04.97-10.02	*	*
3243 (OM 541.946)		Diesel		11946	315	428	04.97-10.02	*	*
3343 (OM 541.925)		Diesel		11946	315	428	04.97-10.02	*	*
3346 (OM 541.948)		Diesel		11946	335	456	04.97-10.02	*	*
1848, 1848 L (OM 542.921)		Diesel		15928	350	476	04.96-10.02	*	*
2548, 2548 L (OM 542.921)		Diesel		15928	350	476	09.96-10.02	*	*
2648, 2648 L (OM 542.921)		Diesel		15928	350	476	04.96-10.02	*	*
3348 (OM 542.921)		Diesel		15928	350	476	04.97-10.02	*	*
1853, 1853 L (OM 542.920)		Diesel		15928	390	530	04.96-10.02	*	*
2553, 2553 L (OM 542.920)		Diesel		15928	390	530	09.96-10.02	*	*
2653, 2653 L (OM 542.920)		Diesel		15928	390	530	04.96-10.02	*	*
3353 (OM 542.920)		Diesel		15928	390	530	04.97-10.02	*	*
3353 AS (OM 542.920)		Diesel		15928	390	530	04.97-10.02	*	*
3353 AS (OM 542.926)		Diesel		15928	390	530	04.97-10.02	*	*
3353 AS (OM 542.943)		Diesel		15928	390	530	04.97-10.02	*	*
1857 L (OM 542.922)		Diesel		15928	420	571	04.97-10.02	*	*
2557 L (OM 542.922)		Diesel		15928	420	571	09.96-10.02	*	*
2657 L (OM 542.922)		Diesel		15928	420	571	04.97-10.02	*	*
3357 (OM 542.922)		Diesel		15928	420	571	04.97-10.02	*	*
<b>ACTROS 04.96-10.03</b>									
								<b>Camión volquete</b>	
1831AK (OM 541.926)		Diesel		11946	230	313	04.97-10.02	*	*
1831AK (OM 541.941)		Diesel		11946	230	313	04.97-10.02	*	*
1831K (OM 541.920)		Diesel		11946	230	313	04.97-10.02	*	*
1831K (OM 541.940)		Diesel		11946	230	313	04.97-10.02	*	*
2031 AK (OM 541.926)		Diesel		11946	230	313	09.96-10.02	*	*
2031 AK (OM 541.941)		Diesel		11946	230	313	09.96-10.02	*	*
2031 K (OM 541.920)		Diesel		11946	230	313	04.97-10.02	*	*
2031 K (OM 541.940)		Diesel		11946	230	313	04.97-10.02	*	*
2631 K (OM 541.920)		Diesel		11946	230	313	04.97-10.02	*	*
2631 K (OM 541.940)		Diesel		11946	230	313	04.97-10.02	*	*
3231 K (OM 541.920)		Diesel		11946	230	313	04.97-10.02	*	*
3231 K (OM 541.940)		Diesel		11946	230	313	04.97-10.02	*	*
3331 AK (OM 541.926)		Diesel		11946	230	313	04.97-10.02	*	*
3331 AK (OM 541.941)		Diesel		11946	230	313	04.97-10.02	*	*
3331 K (OM 541.920)		Diesel		11946	230	313	04.97-10.02	*	*
3331 K (OM 541.940)		Diesel		11946	230	313	04.97-10.02	*	*
1835 AK (OM 541.927)		Diesel		11946	260	354	04.97-10.02	*	*
1835 AK (OM 541.943)		Diesel		11946	260	354	04.97-10.02	*	*
1835 K (OM 541.922)		Diesel		11946	260	354	04.97-10.02	*	*
1835 K (OM 541.942)		Diesel		11946	260	354	04.97-10.02	*	*
2635 K, 2635 LK (OM 541.922)		Diesel		11946	260	354	04.97-10.02	*	*
2635 K, 2635 LK (OM 541.942)		Diesel		11946	260	354	04.97-10.02	*	*
3235K (OM 541.922)		Diesel		11946	260	354	04.97-10.02	*	*
3235K (OM 541.942)		Diesel		11946	260	354	04.97-10.02	*	*
3335 AK (OM 541.927)		Diesel		11946	260	354	10.97-10.03	*	*

# LISTA DE APLICACIONES - BUYERS GUIDE

3335 AK (OM 541.943)	Diesel	11946	260	354	10.97-10.03	*	
3335 K (OM 541.922)	Diesel	11946	260	354	04.97-10.02	*	*
3335 K (OM 541.942)	Diesel	11946	260	354	04.97-10.02	*	*
1840 AK (OM 541.924)	Diesel	11946	290	394	04.97-10.02	*	*
1840 AK (OM 541.945)	Diesel	11946	290	394	04.97-10.02	*	*
1840 K (OM 541.923)	Diesel	11946	290	394	04.97-10.02	*	*
1840 K (OM 541.944)	Diesel	11946	290	394	04.97-10.02	*	*
2040 AK (OM 541.924)	Diesel	11946	290	394	09.96-10.02	*	*
2040 AK (OM 541.945)	Diesel	11946	290	394	09.96-10.02	*	*
2640 K, 2640 LK (OM 541.923)	Diesel	11946	290	394	04.97-10.02	*	*
2640 K, 2640 LK (OM 541.944)	Diesel	11946	290	394	04.97-10.02	*	*
3240 K (OM 541.923)	Diesel	11946	290	394	04.97-10.02	*	*
3240 K (OM 541.944)	Diesel	11946	290	394	04.97-10.02	*	*
3340 AK (OM 541.924)	Diesel	11946	290	394	04.97-10.02	*	*
3340 AK (OM 541.945)	Diesel	11946	290	394	04.97-10.02	*	*
3340 K (OM 541.923)	Diesel	11946	290	394	04.97-10.02	*	*
3340 K (OM 541.944)	Diesel	11946	290	394	04.97-10.02	*	*
4140 AK (OM 541.924)	Diesel	11946	290	394	04.97-10.02	*	
4140 AK (OM 541.945)	Diesel	11946	290	394	04.97-10.02	*	
4140 K (OM 541.923)	Diesel	11946	290	394	04.97-10.02		*
4140 K (OM 541.944)	Diesel	11946	290	394	04.97-10.02		*
4140 K (OM 541.924)	Diesel	11946	290	394	04.97-10.02	*	
4140 K (OM 541.945)	Diesel	11946	290	394	04.97-10.02	*	
1843 AK (OM 541.921)	Diesel	11946	315	428	04.97-10.02	*	*
1843 AK (OM 541.947)	Diesel	11946	315	428	04.97-10.02	*	*
1843 K (OM 541.925)	Diesel	11946	315	428	04.97-10.02	*	*
1843 K (OM 541.946)	Diesel	11946	315	428	04.97-10.02	*	*
2643 K, 2643 LK (OM 541.925)	Diesel	11946	315	428	04.97-10.02	*	*
2643 K, 2643 LK (OM 541.946)	Diesel	11946	315	428	04.97-10.02	*	*
3243 K (OM 541.925)	Diesel	11946	315	428	04.97-10.02	*	*
3243 K (OM 541.946)	Diesel	11946	315	428	04.97-10.02	*	*
3343 AK (OM 541.921)	Diesel	11946	315	428	04.97-10.02	*	*
3343 AK (OM 541.947)	Diesel	11946	315	428	04.97-10.02	*	*
3343 K (OM 541.925)	Diesel	11946	315	428	04.97-10.02	*	*
3343 K (OM 541.946)	Diesel	11946	315	428	04.97-10.02	*	*
4143 AK (OM 541.921)	Diesel	11946	315	428	04.97-10.02	*	
4143 AK (OM 541.947)	Diesel	11946	315	428	04.97-10.02	*	
4143 K (OM 541.925)	Diesel	11946	315	428	04.97-10.02		*
4143 K (OM 541.946)	Diesel	11946	315	428	04.97-10.02		*
4143 K (OM 541.921)	Diesel	11946	315	428	04.97-10.02	*	
4143 K (OM 541.947)	Diesel	11946	315	428	04.97-10.02	*	
1846 AK (OM 541.948)	Diesel	11946	335	456	04.97-10.03	*	*
1846 AK (OM 541.949)	Diesel	11946	335	456	04.97-10.03	*	*
3246 K (OM 541.948)	Diesel	11946	335	456	10.97-10.02	*	*
3346 AK (OM 541.949)	Diesel	11946	335	456	10.97-10.02	*	*
3346 K (OM 541.948)	Diesel	11946	335	456	10.97-	*	*
4146 AK (OM 541.948)	Diesel	11946	335	456	10.97-10.02	*	*
4146 AK (OM 541.949)	Diesel	11946	335	456	10.97-10.02	*	*
4146 K (OM 541.948)	Diesel	11946	335	456	10.97-10.02		*
2648 K, 2648 LK (OM 541.948)	Diesel	11946	355	483	10.97-10.02	*	*
1848 AK (OM 542.925)	Diesel	15928	350	476	04.97-10.02	*	*

# LISTA DE APLICACIONES - BUYERS GUIDE

1848 K (OM 542.921)		Diesel		15928	350	476	04.97-10.02	*	*
1848 K (OM 542.940)		Diesel		15928	350	476	04.97-10.02	*	*
2648 K, 2648 LK (OM 542.921)		Diesel		15928	350	476	04.97-10.02	*	*
2648 K, 2648 LK (OM 542.940)		Diesel		15928	350	476	04.97-10.02	*	*
3348 AK (OM 542.925)		Diesel		15928	350	476	04.97-10.02	*	*
3348 K (OM 542.921)		Diesel		15928	350	476	04.97-10.02	*	*
3348 K (OM 542.940)		Diesel		15928	350	476	04.97-10.02	*	*
4148 AK (OM 542.925)		Diesel		15928	350	476	04.97-10.02	*	
4148 K (OM 542.921)		Diesel		15928	350	476	04.97-10.02		*
4148 K (OM 542.925)		Diesel		15928	350	476	04.97-10.02	*	
1850 AK (OM 542.941)		Diesel		15928	370	503	10.97-10.03	*	*
3350 AK (OM 542.941)		Diesel		15928	370	503	10.97-10.03	*	*
3350 K (OM 542.940)		Diesel		15928	370	503	10.97-10.02	*	*
2653 K, 2653 LK (OM 542.920)		Diesel		15928	390	530	04.97-10.02	*	*
2653 K, 2653 LK (OM 542.942)		Diesel		15928	390	530	04.97-10.02	*	*
2657 K, 2657 LK (OM 542.922)		Diesel		15928	420	571	04.97-10.02	*	*
2657 K, 2657 LK (OM 542.944)		Diesel		15928	420	571	04.97-10.02	*	*
<b>ACTROS 04.96-10.03</b>							<b>Hormigonera</b>		
2631B (OM 541.920)		Diesel		11946	230	313	04.97-10.02	*	*
2631B (OM 541.940)		Diesel		11946	230	313	04.97-10.02	*	*
3231 B (OM 541.920)		Diesel		11946	230	313	04.97-10.02	*	
3231 B (OM 541.940)		Diesel		11946	230	313	04.97-10.02	*	
3331 B (OM 541.920)		Diesel		11946	230	313	04.97-10.02	*	*
3331 B (OM 541.940)		Diesel		11946	230	313	04.97-10.02	*	*
2635 B (OM 541.922)		Diesel		11946	260	354	04.97-10.02	*	*
2635 B (OM 541.942)		Diesel		11946	260	354	04.97-10.02	*	*
3235 B (OM 541.922)		Diesel		11946	260	354	04.97-10.02	*	*
3235 B (OM 541.942)		Diesel		11946	260	354	04.97-10.02	*	*
3335 B (OM 541.922)		Diesel		11946	260	354	04.97-10.02	*	*
3335 B (OM 541.942)		Diesel		11946	260	354	04.97-10.02	*	*
2640 B (OM 541.923)		Diesel		11946	290	394	04.97-10.02	*	*
2640 B (OM 541.944)		Diesel		11946	290	394	04.97-10.02	*	*
3240 B (OM 541.923)		Diesel		11946	290	394	04.97-10.02	*	*
3240 B (OM 541.944)		Diesel		11946	290	394	04.97-10.02	*	*
3340 B (OM 541.923)		Diesel		11946	290	394	04.97-10.02	*	*
3340 B (OM 541.944)		Diesel		11946	290	394	04.97-10.02	*	*
3340 B (OM 541.923)		Diesel		11946	290	394	04.97-10.02	*	*
4140 B (OM 541.923)		Diesel		11946	290	394	04.97-10.02	*	*
4140 B (OM 541.944)		Diesel		11946	290	394	04.97-10.02	*	*
2643 B (OM 541.925)		Diesel		11946	315	428	04.97-10.02	*	*
2643 B (OM 541.946)		Diesel		11946	315	428	04.97-10.02	*	*
3243 B (OM 541.925)		Diesel		11946	315	428	04.97-10.02	*	*
3243 B (OM 541.946)		Diesel		11946	315	428	04.97-10.02	*	*
3343 B (OM 541.925)		Diesel		11946	315	428	04.97-10.02	*	*
2646 B (OM 541.948)		Diesel		11946	335	456	10.97-10.02	*	*
3246 B (OM 541.948)		Diesel		11946	335	456	10.97-10.02	*	*
<b>ACTROS MP2 / MP3 10.02-</b>							<b>Cabeza tractora</b>		
2032 AS (OM 541.926)		Diesel		11946	230	313	04.03-	*	*
2032 AS (OM 541.941)		Diesel		11946	230	313	04.03-	*	*
2032 S (OM 541.920)		Diesel		11946	230	313	04.03-	*	*
2032 S (OM 541.940)		Diesel		11946	230	313	04.03-	*	*

## LISTA DE APLICACIONES - BUYERS GUIDE

2532 LS (OM 541.920)		Diesel		11946	230	313	04.03-	*	*
2532 LS (OM 541.940)		Diesel		11946	230	313	04.03-	*	*
2532 LS (OM 541.970)		Diesel		11946	230	313	04.03-	*	*
2532 LS		Diesel		11946	230	313	04.03-	*	
2631 LS (OM 541.920)		Diesel		11946	230	313	10.09-	*	*
2631 LS (OM 541.940)		Diesel		11946	230	313	10.09-	*	*
2631 LS (OM 541.920)		Diesel		11946	230	313	10.02-	*	*
3331 S, 3332 S (OM 541.920)		Diesel		11946	230	313	04.03-	*	*
3331 S, 3332 S (OM 541.940)		Diesel		11946	230	313	04.03-	*	*
3331 S, 3332 S (OM 541.970)		Diesel		11946	230	313	04.03-	*	*
1832, LS, LLS (OM 541.940)		Diesel		11946	235	320	04.03-	*	*
1832, LS, LLS (OM 541.970)		Diesel		11946	235	320	04.03-	*	*
2432 LS (OM 541.970)		Diesel		11946	235	319	06.08-	*	*
2432 LS (OM 541.996)		Diesel		11946	235	319	06.08-	*	*
2432 LS		Diesel		11946	235	320	06.08-	*	
2532 LS		Diesel		11946	235	320	06.08-	*	*
2632 LS (OM 541.940)		Diesel		11946	235	320	04.03-	*	*
2632 LS (OM 541.970)		Diesel		11946	235	320	04.03-	*	*
2632 LS (OM 541.996)		Diesel		11946	235	320	04.03-	*	*
2632 LS (OM 541.970)		Diesel		11946	235	320	10.09-	*	*
2632 LS (OM 541.996)		Diesel		11946	235	320	10.09-	*	*
3332 AS (OM 541.941)		Diesel		11946	235	320	04.03-	*	
2036 AS (OM 541.927)		Diesel		11946	260	354	04.03-	*	*
2036 AS (OM 541.943)		Diesel		11946	260	354	04.03-	*	*
2036 S (OM 541.942)		Diesel		11946	260	354	04.03-	*	*
2036 S (OM 541.972)		Diesel		11946	260	354	04.03-	*	*
2536 LS (OM 541.922)		Diesel		11946	260	353	04.03-	*	*
2536 LS (OM 541.942)		Diesel		11946	260	353	04.03-	*	*
2536 LS (OM 541.943)		Diesel		11946	260	353	04.03-	*	*
2536 LS (OM 541.972)		Diesel		11946	260	353	04.03-	*	*
2536 LS		Diesel		11946	260	353	04.03-	*	
2635 LS (OM 541.922)		Diesel		11946	260	354	10.09-	*	*
2635 LS (OM 541.942)		Diesel		11946	260	354	10.09-	*	*
2635 LS (OM 541.922)		Diesel		11946	260	354	10.02-	*	*
2635 LS (OM 541.942)		Diesel		11946	260	354	10.02-	*	*
1836 LS, LLS (OM 541.942)		Diesel		11946	265	360	04.03-	*	*
2436 LS (OM 541.972)		Diesel		11946	265	360	06.08-	*	*
2436 LS (OM 541.998)		Diesel		11946	265	360	06.08-	*	*
2436 LS		Diesel		11946	265	360	06.08-	*	
2536 LS		Diesel		11946	265	360	06.08-	*	*
2636 LS (OM 541.942)		Diesel		11946	265	360	04.03-	*	*
2636 LS (OM 541.972)		Diesel		11946	265	360	04.03-	*	*
2636 LS (OM 541.998)		Diesel		11946	265	360	04.03-	*	*
2636 LS (OM 541.972)		Diesel		11946	265	360	10.09-	*	*
2636 LS (OM 541.998)		Diesel		11946	265	360	10.09-	*	*
3336 AS (OM 541.943)		Diesel		11946	265	360	04.03-	*	
3336 AS (OM 541.973)		Diesel		11946	265	360	04.03-	*	
3336S (OM 541.942)		Diesel		11946	265	360	04.03-	*	*
3336S (OM 541.972)		Diesel		11946	265	360	04.03-	*	*
2041 AS (OM 541.924)		Diesel		11946	290	394	04.03-	*	*
2041 S (OM 541.923)		Diesel		11946	290	394	04.03-	*	*

# LISTA DE APLICACIONES - BUYERS GUIDE

2041 S (OM 541.944)		Diesel		11946	290	394	04.03-	*	*
2041 S (OM 541.974)		Diesel		11946	290	394	04.03-	*	*
2541 LS (OM 541.923)		Diesel		11946	290	394	04.03-	*	*
2541 LS (OM 541.944)		Diesel		11946	290	394	04.03-	*	*
2541 LS		Diesel		11946	290	394	04.03-	*	
2640 LS (OM 541.923)		Diesel		11946	290	394	10.09-	*	*
2640 LS (OM 541.944)		Diesel		11946	290	394	10.09-	*	*
2640 LS (OM 541.944)		Diesel		11946	290	394	10.02-	*	*
1841 LS, LLS (OM 541.944)		Diesel		11946	300	408	04.03-	*	*
1841 LS, LLS (OM 541.974)		Diesel		11946	300	408	04.03-	*	*
2441 LS (OM 541.974)		Diesel		11946	300	408	06.08-	*	*
2441 LS (OM 541.990)		Diesel		11946	300	408	06.08-	*	*
2441 LS		Diesel		11946	300	408	06.08-	*	
2541 LS (OM 541.974)		Diesel		11946	300	408	06.08-	*	*
2641 LS (OM 541.974)		Diesel		11946	300	408	10.09-	*	*
2641 LS (OM 541.990)		Diesel		11946	300	408	10.09-	*	*
2641 S, LS (OM 541.944)		Diesel		11946	300	408	04.03-	*	*
2641 S, LS (OM 541.974)		Diesel		11946	300	408	04.03-	*	*
2641 S, LS (OM 541.990)		Diesel		11946	300	408	04.03-	*	*
3341 AS (OM 541.944)		Diesel		11946	300	408	04.03-	*	
3341 AS (OM 541.945)		Diesel		11946	300	408	04.03-	*	
3341 AS (OM 541.975)		Diesel		11946	300	408	04.03-	*	
3341 S (OM 541.923)		Diesel		11946	300	408	04.03-	*	*
3341 S (OM 541.944)		Diesel		11946	300	408	04.03-	*	*
3341 S (OM 541.974)		Diesel		11946	300	408	04.03-	*	*
2044 AS (OM 541.921)		Diesel		11946	315	428	04.03-	*	*
2044 AS (OM 541.947)		Diesel		11946	315	428	04.03-	*	*
2044 S (OM 541.925)		Diesel		11946	315	428	04.03-	*	*
2044 S (OM 541.946)		Diesel		11946	315	428	04.03-	*	*
2044 S (OM 541.976)		Diesel		11946	315	428	04.03-	*	*
2544 LS (OM 541.925)		Diesel		11946	315	428	04.03-	*	*
2544 LS (OM 541.946)		Diesel		11946	315	428	04.03-	*	*
2544 LS (OM 541.976)		Diesel		11946	315	428	04.03-	*	*
2544 LS		Diesel		11946	315	428	04.03-	*	
2643 LS (OM 541.925)		Diesel		11946	315	428	10.09-	*	*
2643 LS (OM 541.946)		Diesel		11946	315	428	10.09-	*	*
2643 LS (OM 541.976)		Diesel		11946	315	428	10.09-	*	*
2643 LS (OM 541.992)		Diesel		11946	315	428	10.09-	*	*
2644 S, LS (OM 541.925)		Diesel		11946	315	428	04.03-	*	*
2644 S, LS (OM 541.946)		Diesel		11946	315	428	04.03-	*	*
2644 S, LS (OM 541.976)		Diesel		11946	315	428	04.03-	*	*
2644 S, LS (OM 541.992)		Diesel		11946	315	428	04.03-	*	*
1844 LS, LLS (OM 541.946)		Diesel		11946	320	435	04.03-	*	*
1844 LS, LLS (OM 541.976)		Diesel		11946	320	435	04.03-	*	*
2444 LS (OM 541.976)		Diesel		11946	320	435	06.08-	*	*
2444 LS (OM 541.992)		Diesel		11946	320	435	06.08-	*	*
2444 LS		Diesel		11946	320	435	06.08-	*	
2544 LS (OM 541.976)		Diesel		11946	320	435	06.08-	*	*
3344 AS (OM 541.947)		Diesel		11946	320	435	04.03-	*	
3344 AS (OM 541.977)		Diesel		11946	320	435	04.03-	*	
3344 S (OM 541.946)		Diesel		11946	320	435	04.03-	*	*

# LISTA DE APLICACIONES - BUYERS GUIDE

3344 S (OM 541.976)	Diesel	11946	320	435	04.03-	*	*
1846 LS, LLS (OM 541.948)	Diesel	11946	335	456	04.03-	*	*
1846 LS, LLS (OM 541.980)	Diesel	11946	335	456	04.03-	*	*
2046 AS (OM 541.948)	Diesel	11946	335	456	04.03-	*	
2046 S (OM 541.948)	Diesel	11946	335	456	04.03-	*	*
2046 S (OM 541.980)	Diesel	11946	335	456	04.03-	*	*
2446 LS (OM 541.980)	Diesel	11946	335	455	06.08-	*	*
2446 LS (OM 541.994)	Diesel	11946	335	455	06.08-	*	*
2446 LS	Diesel	11946	335	456	06.08-	*	
2546 LS (OM 541.948)	Diesel	11946	335	456	04.03-	*	*
2546 LS (OM 541.980)	Diesel	11946	335	456	04.03-	*	*
2546 LS	Diesel	11946	335	456	06.08-	*	*
2546 LS	Diesel	11946	335	456	06.08-	*	
2546 LS	Diesel	11946	335	456	04.03-	*	
2646 LS (OM 541.948)	Diesel	11946	335	456	10.09-	*	*
2646 LS (OM 541.994)	Diesel	11946	335	456	10.09-	*	*
2646 S, LS (OM 541.948)	Diesel	11946	335	456	04.03-	*	*
2646 S, LS (OM 541.980)	Diesel	11946	335	456	04.03-	*	*
2646 S, LS (OM 541.994)	Diesel	11946	335	456	04.03-	*	*
3346 AS (OM 541.949)	Diesel	11946	335	456	04.03-	*	
3346 AS (OM 541.981)	Diesel	11946	335	456	04.03-	*	
3346 S (OM 541.948)	Diesel	11946	335	456	04.03-	*	*
1848, LS, LLS (OM 541.948)	Diesel	11946	350	476	04.03-	*	*
1848, LS, LLS (OM 541.978)	Diesel	11946	350	476	04.03-	*	*
2048 AS (OM 541.948)	Diesel	11946	350	476	04.03-	*	*
2048 S (OM 541.948)	Diesel	11946	350	476	06.08-	*	*
2048 S (OM 541.978)	Diesel	11946	350	476	06.08-	*	*
2448LS (OM 541.978)	Diesel	11946	350	476	06.08-	*	*
2448LS	Diesel	11946	350	476	06.08-	*	
2548 LS (OM 541.948)	Diesel	11946	350	476	04.03-	*	*
2548 LS (OM 541.978)	Diesel	11946	350	476	04.03-	*	*
2548 LS	Diesel	11946	350	476	06.08-	*	*
2548 LS	Diesel	11946	350	476	04.03-	*	
2648 S, LS (OM 541.948)	Diesel	11946	350	476	04.03-	*	*
2648 S, LS (OM 541.978)	Diesel	11946	350	476	04.03-	*	*
3348 AS (OM 541.948)	Diesel	11946	350	476	04.03-	*	*
3348 S (OM 541.948)	Diesel	11946	350	476	04.03-	*	*
2648 LS (OM 541.948)	Diesel	11946	355	483	10.09-	*	*
1848 S, LS (OM 542.921)	Diesel	15928	350	476	04.03-	*	*
2048 AS (OM 542.925)	Diesel	15928	350	476	04.03-	*	
2648 LS (OM 542.921)	Diesel	15928	350	476	10.02-	*	*
3348 AS (OM 542.925)	Diesel	15928	350	476	04.03-	*	
3348 S (OM 542.921)	Diesel	15928	350	476	04.03-	*	*
1850, 1851 LS, LLS (OM 542.940)	Diesel	15928	370	503	04.03-	*	*
1850, 1851 LS, LLS (OM 542.960)	Diesel	15928	370	503	04.03-	*	*
2050S (OM 542.940)	Diesel	15928	370	503	04.03-	*	*
2050S (OM 542.941)	Diesel	15928	370	503	04.03-	*	*
2550, LS (OM 542.940)	Diesel	15928	370	503	04.03-	*	*
2550 LS (OM 542.940)	Diesel	15928	370	503	04.03-	*	*
2650 S, LS (OM 542.940)	Diesel	15928	370	503	04.03-	*	*
3350 S (OM 542.940)	Diesel	15928	370	503	06.09-	*	*

# LISTA DE APLICACIONES - BUYERS GUIDE

3351 AS (OM 542.941)	Diesel	15928	370	503	04.03-	*	
3351 AS (OM 542.961)	Diesel	15928	370	503	04.03-	*	
3550S (OM 542.940)	Diesel	15928	370	503	06.09-	*	*
2051 AS (OM 542.940)	Diesel	15928	375	510	04.03-	*	
2051 AS (OM 542.960)	Diesel	15928	375	510	04.03-	*	
2051 S (OM 542.940)	Diesel	15928	375	510	06.08-	*	*
2051 S (OM 542.960)	Diesel	15928	375	510	06.08-	*	*
2451 LS (OM 542.960)	Diesel	15928	375	510	06.08-	*	*
2451 LS	Diesel	15928	375	510	06.08-	*	
2551 LS (OM 542.960)	Diesel	15928	375	510	04.03-	*	*
2651 LS (OM 542.960)	Diesel	15928	375	510	10.09-	*	*
2651 S, LS (OM 542.960)	Diesel	15928	375	510	04.03-	*	*
3351 S (OM 542.940)	Diesel	15928	375	510	04.03-	*	*
3351 S (OM 542.960)	Diesel	15928	375	510	04.03-	*	*
2653 LS (OM 542.920)	Diesel	15928	390	530	10.09-	*	*
2653 LS (OM 542.942)	Diesel	15928	390	530	10.09-	*	*
2654 S, LS (OM 542.920)	Diesel	15928	390	530	04.03-	*	*
2654 S, LS (OM 542.942)	Diesel	15928	390	530	04.03-	*	*
1854 LS (OM 542.942)	Diesel	15928	395	537	04.03-	*	*
2054 S (OM 542.942)	Diesel	15928	395	537	04.03-	*	*
2554 LS (OM 542.942)	Diesel	15928	395	537	04.03-	*	*
4154 S	Diesel	15928	395	537	04.03-	*	
1855 LS, LLS (OM 542.962)	Diesel	15928	405	551	06.08-	*	*
2055 S (OM 542.962)	Diesel	15928	405	551	06.08-	*	*
2455 LS (OM 542.962)	Diesel	15928	405	550	06.08-	*	*
2455 LS	Diesel	15928	405	551	06.08-	*	
2555 LS (OM 542.962)	Diesel	15928	405	551	09.05-	*	*
2655 LS (OM 542.962)	Diesel	15928	405	551	10.09-	*	*
2655 S, LS (OM 542.962)	Diesel	15928	405	551	04.03-	*	*
3355 AS (OM 542.963)	Diesel	15928	405	551	04.03-	*	
3355 S (OM 542.962)	Diesel	15928	405	551	04.03-	*	*
1858 LS (OM 542.944)	Diesel	15928	425	578	10.02-	*	*
2658 LS (OM 542.944)	Diesel	15928	425	578	04.03-	*	*
1860 LS (OM 542.964)	Diesel	15928	440	598	06.08-	*	*
2460 LS (OM 542.964)	Diesel	15928	440	598	06.08-	*	*
2460 LS	Diesel	15928	440	598	06.08-	*	
2660 S, LS (OM 542.964)	Diesel	15928	440	598	06.08-	*	*
4160 S (OM 542.956)	Diesel	15928	448	609	10.02-	*	
4160 S (OM 542.957)	Diesel	15928	448	609	10.02-	*	
1861 LS (OM 542.958)	Diesel	15928	450	612	05.05-	*	*
2665 LS (OM 542.968)	Diesel	15928	480	653	04.03-	*	*
4165 S	Diesel	15928	480	653	08.08-	*	
<b>ACTROS MP2 / MP3 10.02-</b>							<b>Caja/Chasis</b>
2032 (OM 541.920)	Diesel	11946	230	313	04.03-	*	*
2032 (OM 541.940)	Diesel	11946	230	313	04.03-	*	*
2032 A, AE (OM 541.926)	Diesel	11946	230	313	04.03-	*	*
2032 A, AE (OM 541.940)	Diesel	11946	230	313	04.03-	*	*
2032 A, AE (OM 541.941)	Diesel	11946	230	313	04.03-	*	*
2532, L, LL (OM 541.920)	Diesel	11946	230	312	04.03-	*	*
2532, L, LL (OM 541.940)	Diesel	11946	230	312	04.03-	*	*
2532, L, LL (OM 541.970)	Diesel	11946	230	312	04.03-	*	*

# LISTA DE APLICACIONES - BUYERS GUIDE

2532, L, LL (OM 541.996)	Diesel	11946	230	312	04.03-	*	*
2532, L, LL	Diesel	11946	230	312	04.03-	*	
2631 L (OM 541.920)	Diesel	11946	230	313	04.03-	*	*
2631 L (OM 541.940)	Diesel	11946	230	313	04.03-	*	*
3331, 3332 (OM 541.920)	Diesel	11946	230	313	04.03-	*	*
3331, 3332 (OM 541.940)	Diesel	11946	230	313	04.03-	*	*
3331 A, 3332 A (OM 541.920)	Diesel	11946	230	313	04.03-	*	
3331 A, 3332 A (OM 541.926)	Diesel	11946	230	313	04.03-	*	
3331 A, 3332 A (OM 541.940)	Diesel	11946	230	313	04.03-	*	
3331 A, 3332 A (OM 541.941)	Diesel	11946	230	313	04.03-	*	
3331 A, 3332 A (OM 541.971)	Diesel	11946	230	313	04.03-	*	
3331 A, 3332 A (OM 541.997)	Diesel	11946	230	313	04.03-	*	
1832, L, LL (OM 541.940)	Diesel	11946	235	320	04.03-	*	*
1832, L, LL (OM 541.970)	Diesel	11946	235	320	04.03-	*	*
2632, L, LL (OM 541.940)	Diesel	11946	235	320	04.03-	*	*
2632, L, LL (OM 541.970)	Diesel	11946	235	320	04.03-	*	*
2632, L, LL (OM 541.996)	Diesel	11946	235	320	04.03-	*	*
2036 (OM 541.922)	Diesel	11946	260	354	04.03-	*	*
2036 (OM 541.942)	Diesel	11946	260	354	04.03-	*	*
2036 A, AE (OM 541.927)	Diesel	11946	260	354	04.03-	*	*
2036 A, AE (OM 541.942)	Diesel	11946	260	354	04.03-	*	*
2036 A, AE (OM 541.943)	Diesel	11946	260	354	04.03-	*	*
2536, L, LL (OM 541.922)	Diesel	11946	260	354	04.03-	*	*
2536, L, LL (OM 541.942)	Diesel	11946	260	354	04.03-	*	*
2536, L, LL (OM 541.943)	Diesel	11946	260	354	04.03-	*	*
2536, L, LL (OM 541.972)	Diesel	11946	260	354	04.03-	*	*
2536, L, LL (OM 541.998)	Diesel	11946	260	354	04.03-	*	*
2536, L, LL	Diesel	11946	260	354	04.03-	*	
2635 L (OM 541.922)	Diesel	11946	260	354	04.03-	*	*
2635 L (OM 541.942)	Diesel	11946	260	354	04.03-	*	*
3335 A (OM 541.927)	Diesel	11946	260	354	04.03-	*	
3335 A (OM 541.943)	Diesel	11946	260	354	04.03-	*	
1836, L, LL (OM 541.942)	Diesel	11946	265	360	04.03-	*	*
1836 A (OM 541.943)	Diesel	11946	265	360	10.02-	*	*
2636, L, LL (OM 541.942)	Diesel	11946	265	360	04.03-	*	*
2636, L, LL (OM 541.972)	Diesel	11946	265	360	04.03-	*	*
2636, L, LL (OM 541.998)	Diesel	11946	265	360	04.03-	*	*
3336 (OM 541.942)	Diesel	11946	265	360	04.03-	*	*
3336 (OM 541.972)	Diesel	11946	265	360	04.03-	*	*
3336 A (OM 541.942)	Diesel	11946	265	360	04.03-	*	
3336 A (OM 541.943)	Diesel	11946	265	360	04.03-	*	
3336 A (OM 541.973)	Diesel	11946	265	360	04.03-	*	
3336 A (OM 541.999)	Diesel	11946	265	360	04.03-	*	
2040 (OM 541.923)	Diesel	11946	290	394	10.02-	*	*
2040 (OM 541.944)	Diesel	11946	290	394	10.02-	*	*
2041 (OM 541.944)	Diesel	11946	290	394	04.03-	*	*
2041 (OM 541.974)	Diesel	11946	290	394	04.03-	*	*
2541, L, LL (OM 541.923)	Diesel	11946	290	394	04.03-	*	*
2541, L, LL (OM 541.944)	Diesel	11946	290	394	04.03-	*	*
2541, L, LL (OM 541.974)	Diesel	11946	290	394	04.03-	*	*
2541, L, LL (OM 541.990)	Diesel	11946	290	394	04.03-	*	*

# LISTA DE APLICACIONES - BUYERS GUIDE

2541, L, LL		Diesel		11946	290	394	04.03-	*	
2640 L (OM 541.923)		Diesel		11946	290	394	04.03-	*	*
2640 L (OM 541.944)		Diesel		11946	290	394	04.03-	*	*
3240 (OM 541.923)		Diesel		11946	290	394	04.03-	*	*
3339 A (OM 541.924)		Diesel		11946	290	394	04.03-	*	*
3339 A (OM 541.945)		Diesel		11946	290	394	04.03-	*	*
1841, L, LL (OM 541.944)		Diesel		11946	300	408	04.03-	*	*
1841, L, LL (OM 541.974)		Diesel		11946	300	408	04.03-	*	*
1841 A (OM 541.944)		Diesel		11946	300	408	10.02-	*	*
1841 A (OM 541.974)		Diesel		11946	300	408	10.02-	*	*
2641, L, LL (OM 541.944)		Diesel		11946	300	408	04.03-	*	*
2641, L, LL (OM 541.974)		Diesel		11946	300	408	04.03-	*	*
2641, L, LL (OM 541.990)		Diesel		11946	300	408	04.03-	*	*
3241 (OM 541.944)		Diesel		11946	300	408	04.03-	*	*
3241 (OM 541.974)		Diesel		11946	300	408	04.03-	*	*
3241 (OM 541.990)		Diesel		11946	300	408	04.03-	*	*
3241 L (OM 541.944)		Diesel		11946	300	408	06.08-	*	*
3241 L (OM 541.944)		Diesel		11946	300	408	06.08-	*	*
3341 (OM 541.944)		Diesel		11946	300	408	04.03-	*	*
3341 (OM 541.974)		Diesel		11946	300	408	04.03-	*	*
3341 A (OM 541.991)		Diesel		11946	300	408	04.03-	*	
4141 (OM 541.944)		Diesel		11946	300	408	06.08-	*	
1844 A (OM 541.946)		Diesel		11946	315	428	04.03-	*	*
1844 A (OM 541.976)		Diesel		11946	315	428	04.03-	*	*
2044 (OM 541.946)		Diesel		11946	315	428	04.03-	*	*
2044 (OM 541.976)		Diesel		11946	315	428	04.03-	*	*
2544, L, LL (OM 541.925)		Diesel		11946	315	428	04.03-	*	*
2544, L, LL (OM 541.946)		Diesel		11946	315	428	04.03-	*	*
2544, L, LL (OM 541.976)		Diesel		11946	315	428	04.03-	*	*
2544, L, LL (OM 541.992)		Diesel		11946	315	428	04.03-	*	*
2544, L, LL		Diesel		11946	315	428	04.03-	*	
2643 L (OM 541.925)		Diesel		11946	315	428	04.03-	*	*
2643 L (OM 541.946)		Diesel		11946	315	428	04.03-	*	*
3243 (OM 541.925)		Diesel		11946	315	428	10.02-	*	*
3243 (OM 541.946)		Diesel		11946	315	428	10.02-	*	*
3344 (OM 541.946)		Diesel		11946	315	428	04.03-	*	*
3344 (OM 541.947)		Diesel		11946	315	428	04.03-	*	*
3344 A (OM 541.921)		Diesel		11946	315	428	04.03-	*	
3344 A (OM 541.946)		Diesel		11946	315	428	04.03-	*	
3344 A (OM 541.947)		Diesel		11946	315	428	04.03-	*	
3344 A (OM 541.977)		Diesel		11946	315	428	04.03-	*	
3344 A (OM 541.993)		Diesel		11946	315	428	04.03-	*	
1844, L, LL (OM 541.946)		Diesel		11946	320	435	04.03-	*	*
1844, L, LL (OM 541.976)		Diesel		11946	320	435	04.03-	*	*
2644, L, LL (OM 541.946)		Diesel		11946	320	435	04.03-	*	*
2644, L, LL (OM 541.976)		Diesel		11946	320	435	04.03-	*	*
2644, L, LL (OM 541.992)		Diesel		11946	320	435	04.03-	*	*
3244 (OM 541.976)		Diesel		11946	320	435	04.03-	*	*
3244 (OM 541.992)		Diesel		11946	320	435	04.03-	*	*
1846, L, LL (OM 541.948)		Diesel		11946	335	456	04.03-	*	*
1846, L, LL (OM 541.980)		Diesel		11946	335	456	04.03-	*	*

## LISTA DE APLICACIONES - BUYERS GUIDE

1846 A (OM 541.948)	Diesel	11946	335	455	04.03-	*	*
2046 (OM 541.948)	Diesel	11946	335	456	04.03-	*	*
2046 (OM 541.980)	Diesel	11946	335	456	04.03-	*	*
2546, L, LL (OM 541.948)	Diesel	11946	335	456	04.03-	*	*
2546, L, LL (OM 541.980)	Diesel	11946	335	456	04.03-	*	*
2546, L, LL (OM 541.994)	Diesel	11946	335	456	04.03-	*	*
2546, L, LL	Diesel	11946	335	456	04.03-	*	
2646, L, LL (OM 541.948)	Diesel	11946	335	456	04.03-	*	*
2646, L, LL (OM 541.980)	Diesel	11946	335	456	04.03-	*	*
2646, L, LL (OM 541.994)	Diesel	11946	335	456	04.03-	*	*
3246 (OM 541.948)	Diesel	11946	335	456	04.03-	*	*
3246 (OM 541.980)	Diesel	11946	335	456	04.03-	*	*
3346 (OM 541.948)	Diesel	11946	335	456	04.03-	*	*
3346 A (OM 541.949)	Diesel	11946	335	456	04.03-	*	
3346 A (OM 541.995)	Diesel	11946	335	456	04.03-	*	
1848, L, LL (OM 541.948)	Diesel	11946	350	476	04.03-	*	*
1848, L, LL (OM 541.978)	Diesel	11946	350	476	04.03-	*	*
1848 A (OM 541.978)	Diesel	11946	350	476	04.03-	*	*
2048 (OM 541.978)	Diesel	11946	350	476	06.08-	*	*
2548, L,LL (OM 541.948)	Diesel	11946	350	476	04.03-	*	*
2548, L,LL (OM 541.978)	Diesel	11946	350	476	04.03-	*	*
2548, L,LL	Diesel	11946	350	476	04.03-	*	
2648, L, LL (OM 541.948)	Diesel	11946	350	476	04.03-	*	*
2648, L, LL (OM 541.978)	Diesel	11946	350	476	04.03-	*	*
3248, L (OM 541.978)	Diesel	11946	350	476	04.03-	*	*
3348 (OM 541.978)	Diesel	11946	350	476	04.03-	*	*
3348 A (OM 541.949)	Diesel	11946	350	476	04.03-	*	*
1848, L, LL (OM 542.921)	Diesel	15928	350	476	04.03-	*	*
2548 L (OM 542.921)	Diesel	15928	350	476	04.03-	*	*
2548 L (OM 542.940)	Diesel	15928	350	476	04.03-	*	*
2648 L (OM 542.921)	Diesel	15928	350	476	04.03-	*	*
2648 L (OM 542.940)	Diesel	15928	350	476	04.03-	*	*
3348 (OM 542.921)	Diesel	15928	350	476	04.03-	*	*
1850, 1851, L, LL (OM 542.940)	Diesel	15928	370	503	04.03-	*	*
1850, 1851, L, LL (OM 542.960)	Diesel	15928	370	503	04.03-	*	*
2650, L, 2651,L, LL (OM 542.940)	Diesel	15928	370	503	04.03-	*	*
3250 (OM 542.940)	Diesel	15928	370	503	04.03-	*	
3350, 3351 (OM 542.940)	Diesel	15928	370	503	04.03-	*	*
3350, 3351 (OM 542.960)	Diesel	15928	370	503	04.03-	*	*
2551, L, LL (OM 542.960)	Diesel	15928	375	510	04.03-	*	*
2551, L, LL	Diesel	15928	375	510	04.03-	*	
2651 L (OM 542.960)	Diesel	15928	375	510	04.03-	*	*
3351 A (OM 542.961)	Diesel	15928	375	510	06.08-	*	
2553 L (OM 542.920)	Diesel	15928	390	530	04.03-	*	*
2553 L (OM 542.942)	Diesel	15928	390	530	04.03-	*	*
2653 L (OM 542.920)	Diesel	15928	390	530	04.03-	*	*
1854, L (OM 542.942)	Diesel	15928	395	537	04.03-	*	*
1854, L (OM 542.962)	Diesel	15928	395	537	04.03-	*	*
2554, L (OM 542.942)	Diesel	15928	395	537	04.03-	*	*
2654, L, 2655, L, LL (OM 542.942)	Diesel	15928	395	537	04.03-	*	*
2654, L, 2655, L, LL (OM 542.962)	Diesel	15928	395	537	04.03-	*	*

## LISTA DE APLICACIONES - BUYERS GUIDE

3354, 3355 (OM 542.942)	Diesel	15928	395	537	04.03-	*	*
3354, 3355 (OM 542.962)	Diesel	15928	395	537	04.03-	*	*
1855, L, LL (OM 542.962)	Diesel	15928	405	551	06.08-	*	*
2555, L, LL (OM 542.962)	Diesel	15928	405	551	04.03-	*	*
2555, L, LL	Diesel	15928	405	551	04.03-	*	
3255 L (OM 542.962)	Diesel	15928	405	551	02.09-	*	*
3355 A (OM 542.963)	Diesel	15928	405	551	04.03-	*	
1858, L (OM 542.944)	Diesel	15928	425	578	04.03-	*	*
2558, L (OM 542.944)	Diesel	15928	425	578	04.03-	*	*
2658 L (OM 542.944)	Diesel	15928	425	578	04.03-	*	*
3358 (OM 542.944)	Diesel	15928	425	578	04.03-	*	*
1860 L, LL (OM 542.964)	Diesel	15928	440	598	05.05-	*	*
2560, L, LL (OM 542.964)	Diesel	15928	440	598	04.03-	*	*
2560, L, LL	Diesel	15928	440	598	04.03-	*	
2660 L, LL (OM 542.964)	Diesel	15928	440	598	05.05-	*	*
3260 L (OM 542.964)	Diesel	15928	440	598	02.09-	*	*
3360 (OM 542.964)	Diesel	15928	440	598	04.03-	*	*
3360 A (OM 542.965)	Diesel	15928	440	598	04.03-	*	
3365 A (OM 542.968)	Diesel	15928	480	653	04.03-	*	
3365 A (OM 542.969)	Diesel	15928	480	653	04.03-	*	
<b>ACTROS MP2 / MP3 10.02-</b>				<b>Camión volquete</b>			
1831AK (OM 541.926)	Diesel	11946	230	313	04.03-	*	
1831AK (OM 541.941)	Diesel	11946	230	313	04.03-	*	
1831K (OM 541.920)	Diesel	11946	230	313	04.03-	*	*
1831K (OM 541.940)	Diesel	11946	230	313	04.03-	*	*
2032 AK (OM 541.920)	Diesel	11946	230	313	04.03-	*	*
2032 AK (OM 541.926)	Diesel	11946	230	313	04.03-	*	*
2032 AK (OM 541.940)	Diesel	11946	230	313	04.03-	*	*
2032 AK (OM 541.941)	Diesel	11946	230	313	04.03-	*	*
2032 AK (OM 541.997)	Diesel	11946	230	313	04.03-	*	*
2032 K (OM 541.920)	Diesel	11946	230	313	04.03-	*	*
2032 K (OM 541.940)	Diesel	11946	230	313	04.03-	*	*
2032 K (OM 541.970)	Diesel	11946	230	313	04.03-	*	*
2032 K (OM 541.996)	Diesel	11946	230	313	04.03-	*	*
2631 K, LK (OM 541.920)	Diesel	11946	230	313	04.03-	*	*
2631 K, LK (OM 541.940)	Diesel	11946	230	313	04.03-	*	*
3231 K, 3232 K (OM 541.920)	Diesel	11946	230	313	04.03-	*	*
3231 K, 3232 K (OM 541.940)	Diesel	11946	230	313	04.03-	*	*
3231 K, 3232 K (OM 541.970)	Diesel	11946	230	313	04.03-	*	*
3231 K, 3232 K (OM 541.996)	Diesel	11946	230	313	04.03-	*	*
3331 AK, 3332 AK (OM 541.920)	Diesel	11946	230	313	04.03-	*	
3331 AK, 3332 AK (OM 541.926)	Diesel	11946	230	313	04.03-	*	
3331 AK, 3332 AK (OM 541.940)	Diesel	11946	230	313	04.03-	*	
3331 K (OM 541.920)	Diesel	11946	230	313	04.03-	*	*
3331 K (OM 541.940)	Diesel	11946	230	313	04.03-	*	*
3332 K (OM 541.920)	Diesel	11946	230	313	04.03-	*	*
3332 K (OM 541.940)	Diesel	11946	230	313	04.03-	*	*
3332 K (OM 541.970)	Diesel	11946	230	313	04.03-	*	*
3332 K (OM 541.996)	Diesel	11946	230	313	04.03-	*	*
1832 AK (OM 541.940)	Diesel	11946	235	320	04.03-	*	*
1832 AK (OM 541.971)	Diesel	11946	235	320	04.03-	*	*

# LISTA DE APLICACIONES - BUYERS GUIDE

1832 AK (OM 541.997)	Diesel	11946	235	320	04.03-	*	*
1832 K (OM 541.940)	Diesel	11946	235	320	04.03-	*	*
1832 K (OM 541.970)	Diesel	11946	235	320	04.03-	*	*
1832 K (OM 541.996)	Diesel	11946	235	320	04.03-	*	*
2632 K, LK (OM 541.940)	Diesel	11946	235	320	04.03-	*	*
2632 K, LK (OM 541.970)	Diesel	11946	235	320	04.03-	*	*
2632 K, LK (OM 541.996)	Diesel	11946	235	320	04.03-	*	*
3332 AK (OM 541.941)	Diesel	11946	235	320	04.03-	*	
3332 AK (OM 541.997)	Diesel	11946	235	320	04.03-	*	
3332 AKE (OM 541.997)	Diesel	11946	235	320	04.03-	*	*
1835 AK (OM 541.927)	Diesel	11946	260	354	04.03-	*	
1835 AK (OM 541.943)	Diesel	11946	260	354	04.03-	*	
1835 K (OM 541.922)	Diesel	11946	260	354	04.03-	*	*
1835 K (OM 541.942)	Diesel	11946	260	354	04.03-	*	*
2036 AK (OM 541.927)	Diesel	11946	260	354	04.03-	*	
2036 AK (OM 541.942)	Diesel	11946	260	354	04.03-	*	
2036 AK (OM 541.943)	Diesel	11946	260	354	04.03-	*	
2036 AK (OM 541.999)	Diesel	11946	260	354	04.03-	*	
2036 K (OM 541.922)	Diesel	11946	260	354	04.03-	*	*
2036 K (OM 541.942)	Diesel	11946	260	354	04.03-	*	*
2036 K (OM 541.972)	Diesel	11946	260	354	04.03-	*	*
2036 K (OM 541.998)	Diesel	11946	260	354	04.03-	*	*
2635 K, LK (OM 541.922)	Diesel	11946	260	354	04.03-	*	*
2635 K, LK (OM 541.942)	Diesel	11946	260	354	04.03-	*	*
3235K (OM 541.922)	Diesel	11946	260	354	04.03-	*	*
3235K (OM 541.942)	Diesel	11946	260	354	04.03-	*	*
3335 K (OM 541.922)	Diesel	11946	260	354	04.03-	*	*
3336AK (OM 541.927)	Diesel	11946	260	354	04.03-	*	
3336AK (OM 541.943)	Diesel	11946	260	354	04.03-	*	
3336AK (OM 541.973)	Diesel	11946	260	354	04.03-	*	
3336AK (OM 541.999)	Diesel	11946	260	354	04.03-	*	
3336 AKE (OM 541.927)	Diesel	11946	260	354	04.03-	*	*
3336 AKE (OM 541.943)	Diesel	11946	260	354	04.03-	*	*
3336K (OM 541.942)	Diesel	11946	260	354	04.03-	*	*
1836 AK (OM 541.942)	Diesel	11946	265	360	04.03-	*	*
1836 AK (OM 541.999)	Diesel	11946	265	360	04.03-	*	*
1836 K (OM 541.942)	Diesel	11946	265	360	04.03-	*	*
1836 K (OM 541.972)	Diesel	11946	265	360	04.03-	*	*
1836 K (OM 541.998)	Diesel	11946	265	360	04.03-	*	*
2636 K, LK (OM 541.942)	Diesel	11946	265	360	04.03-	*	*
2636 K, LK (OM 541.972)	Diesel	11946	265	360	04.03-	*	*
2636 K, LK (OM 541.998)	Diesel	11946	265	360	04.03-	*	*
3236 K (OM 541.972)	Diesel	11946	265	360	04.03-	*	*
3236 K (OM 541.998)	Diesel	11946	265	360	04.03-	*	*
3336K (OM 541.942)	Diesel	11946	265	360	04.03-	*	*
3336K (OM 541.972)	Diesel	11946	265	360	04.03-	*	*
3336K (OM 541.998)	Diesel	11946	265	360	04.03-	*	*
4036 K	Diesel	11946	265	360	06.09-	*	
1840 AK (OM 541.924)	Diesel	11946	290	394	04.03-	*	
1840 AK (OM 541.945)	Diesel	11946	290	394	04.03-	*	
1840 K (OM 541.923)	Diesel	11946	290	394	04.03-	*	*

# LISTA DE APLICACIONES - BUYERS GUIDE

1840 K (OM 541.944)	Diesel	11946	290	394	04.03-	*	*
2041 AK (OM 541.924)	Diesel	11946	290	394	04.03-	*	*
2041 AK (OM 541.944)	Diesel	11946	290	394	04.03-	*	*
2041 AK (OM 541.945)	Diesel	11946	290	394	04.03-	*	*
2041 AK (OM 541.991)	Diesel	11946	290	394	04.03-	*	*
2041 K (OM 541.923)	Diesel	11946	290	394	04.03-	*	*
2041 K (OM 541.944)	Diesel	11946	290	394	04.03-	*	*
2041 K (OM 541.974)	Diesel	11946	290	394	04.03-	*	*
2041 K (OM 541.990)	Diesel	11946	290	394	04.03-	*	*
2640 K, LK (OM 541.923)	Diesel	11946	290	394	04.03-	*	*
2640 K, LK (OM 541.944)	Diesel	11946	290	394	04.03-	*	*
3240 K (OM 541.923)	Diesel	11946	290	394	04.03-	*	*
3240 K (OM 541.944)	Diesel	11946	290	394	04.03-	*	*
3339 AK (OM 541.924)	Diesel	11946	290	394	04.03-	*	*
3339 AK (OM 541.945)	Diesel	11946	290	394	04.03-	*	*
3339 K (OM 541.923)	Diesel	11946	290	394	04.03-	*	*
3339 K (OM 541.944)	Diesel	11946	290	394	04.03-	*	*
4140 AK (OM 541.923)	Diesel	11946	290	394	04.03-	*	
4140 AK (OM 541.924)	Diesel	11946	290	394	04.03-	*	
4140 AK (OM 541.944)	Diesel	11946	290	394	04.03-	*	
4140 AK (OM 541.945)	Diesel	11946	290	394	04.03-	*	
4140 K (OM 541.923)	Diesel	11946	290	394	04.03-	*	*
4140 K (OM 541.944)	Diesel	11946	290	394	04.03-	*	*
4140 K (OM 541.923)	Diesel	11946	290	394	04.03-	*	
4140 K (OM 541.924)	Diesel	11946	290	394	04.03-	*	
4140 K (OM 541.944)	Diesel	11946	290	394	04.03-	*	
4140 K (OM 541.945)	Diesel	11946	290	394	04.03-	*	
1841 AK (OM 541.991)	Diesel	11946	300	408	04.03-	*	
1841 K (OM 541.944)	Diesel	11946	300	408	04.03-	*	*
1841 K (OM 541.974)	Diesel	11946	300	408	04.03-	*	*
1841 K (OM 541.990)	Diesel	11946	300	408	04.03-	*	*
1841 L, LL (OM 541.944)	Diesel	11946	300	408	04.03-	*	*
1841 L, LL (OM 541.974)	Diesel	11946	300	408	04.03-	*	*
2641 K, LK (OM 541.944)	Diesel	11946	300	408	04.03-	*	*
2641 K, LK (OM 541.974)	Diesel	11946	300	408	04.03-	*	*
2641 K, LK (OM 541.990)	Diesel	11946	300	408	04.03-	*	*
3241 K (OM 541.974)	Diesel	11946	300	408	04.03-	*	*
3241 K (OM 541.990)	Diesel	11946	300	408	04.03-	*	*
3341 AK (OM 541.945)	Diesel	11946	300	408	04.03-	*	
3341 AK (OM 541.975)	Diesel	11946	300	408	04.03-	*	
3341 AK (OM 541.991)	Diesel	11946	300	408	04.03-	*	
3341 AKE (OM 541.945)	Diesel	11946	300	408	04.03-	*	*
3341 AKE (OM 541.991)	Diesel	11946	300	408	04.03-	*	*
3341 K (OM 541.974)	Diesel	11946	300	408	04.03-	*	*
3341 K (OM 541.990)	Diesel	11946	300	408	04.03-	*	*
4141 AK (OM 541.991)	Diesel	11946	300	408	04.03-	*	
4141 K (OM 541.974)	Diesel	11946	300	408	04.03-	*	*
4141 K (OM 541.990)	Diesel	11946	300	408	04.03-	*	*
4141 K (OM 541.991)	Diesel	11946	300	408	04.03-	*	
4841 K	Diesel	11946	300	408	08.09-	*	
5041 K (OM 541.923)	Diesel	11946	300	408	06.08-	*	*

# LISTA DE APLICACIONES - BUYERS GUIDE

5041 K (OM 541.944)		Diesel		11946	300	408	06.08-	*	*
5041 K (OM 541.974)		Diesel		11946	300	408	06.08-	*	*
5041 K (OM 541.990)		Diesel		11946	300	408	06.08-	*	*
1844 AK (OM 541.921)		Diesel		11946	315	428	04.03-	*	*
1844 AK (OM 541.946)		Diesel		11946	315	428	04.03-	*	*
1844 AK (OM 541.947)		Diesel		11946	315	428	04.03-	*	*
1844 AK (OM 541.993)		Diesel		11946	315	428	04.03-	*	*
1844 K (OM 541.925)		Diesel		11946	315	428	04.03-	*	*
1844 K (OM 541.946)		Diesel		11946	315	428	04.03-	*	*
1844 K (OM 541.976)		Diesel		11946	315	428	04.03-	*	*
1844 K (OM 541.992)		Diesel		11946	315	428	04.03-	*	*
2044 AK (OM 541.921)		Diesel		11946	315	428	04.03-	*	
2044 AK (OM 541.947)		Diesel		11946	315	428	04.03-	*	
2044 AK (OM 541.993)		Diesel		11946	315	428	04.03-	*	
2044 K (OM 541.925)		Diesel		11946	315	428	04.03-	*	*
2044 K (OM 541.946)		Diesel		11946	315	428	04.03-	*	*
2044 K (OM 541.976)		Diesel		11946	315	428	04.03-	*	*
2044 K (OM 541.992)		Diesel		11946	315	428	04.03-	*	*
2643 K, LK (OM 541.925)		Diesel		11946	315	428	04.03-	*	*
2643 K, LK (OM 541.946)		Diesel		11946	315	428	04.03-	*	*
3243 K (OM 541.925)		Diesel		11946	315	428	04.03-	*	*
3243 K (OM 541.946)		Diesel		11946	315	428	04.03-	*	*
3343 AK (OM 541.921)		Diesel		11946	315	428	04.03-	*	
3343 AK (OM 541.947)		Diesel		11946	315	428	04.03-	*	
3343 K (OM 541.925)		Diesel		11946	315	428	04.03-	*	*
3343 K (OM 541.946)		Diesel		11946	315	428	04.03-	*	*
4143 AK (OM 541.921)		Diesel		11946	315	428	04.03-	*	
4143 K (OM 541.921)		Diesel		11946	315	428	04.03-	*	
4143 K (OM 541.947)		Diesel		11946	315	428	04.03-	*	
4144 K (OM 541.925)		Diesel		11946	315	428	04.03-	*	*
4144 K (OM 541.946)		Diesel		11946	315	428	04.03-	*	*
4144 K (OM 541.976)		Diesel		11946	315	428	04.03-	*	*
2644 K, LK (OM 541.946)		Diesel		11946	320	435	04.03-	*	*
2644 K, LK (OM 541.976)		Diesel		11946	320	435	04.03-	*	*
2644 K, LK (OM 541.992)		Diesel		11946	320	435	04.03-	*	*
3244 K (OM 541.976)		Diesel		11946	320	435	04.03-	*	*
3244 K (OM 541.992)		Diesel		11946	320	435	04.03-	*	*
3344 AK (OM 541.947)		Diesel		11946	320	435	04.03-	*	
3344 AK (OM 541.977)		Diesel		11946	320	435	04.03-	*	
3344 AK (OM 541.993)		Diesel		11946	320	435	04.03-	*	
3344 AKE (OM 541.947)		Diesel		11946	320	435	04.03-	*	*
3344 AKE (OM 541.993)		Diesel		11946	320	435	04.03-	*	*
3344 K (OM 541.976)		Diesel		11946	320	435	04.03-	*	*
3344 K (OM 541.992)		Diesel		11946	320	435	04.03-	*	*
4144 AK (OM 541.947)		Diesel		11946	320	435	04.03-	*	
4144 AK (OM 541.993)		Diesel		11946	320	435	04.03-	*	
4144 K (OM 541.976)		Diesel		11946	320	435	04.03-	*	*
4144 K (OM 541.992)		Diesel		11946	320	435	04.03-	*	*
4144 K (OM 541.976)		Diesel		11946	320	435	04.03-	*	
4144 K (OM 541.993)		Diesel		11946	320	435	04.03-	*	
4844 K		Diesel		11946	320	435	08.09-	*	

# LISTA DE APLICACIONES - BUYERS GUIDE

5044 K (OM 541.946)		Diesel		11946	320	435	06.08-	*	*
5044 K (OM 541.976)		Diesel		11946	320	435	06.08-	*	*
5044 K (OM 541.992)		Diesel		11946	320	435	06.08-	*	*
1846 AK (OM 541.948)		Diesel		11946	335	456	04.03-	*	*
1846 AK (OM 541.949)		Diesel		11946	335	456	04.03-	*	*
1846 AK (OM 541.981)		Diesel		11946	335	456	04.03-	*	*
1846 AK (OM 541.995)		Diesel		11946	335	456	04.03-	*	*
1846 K (OM 541.948)		Diesel		11946	335	456	04.03-	*	*
1846 K (OM 541.980)		Diesel		11946	335	456	04.03-	*	*
1846 K (OM 541.994)		Diesel		11946	335	456	04.03-	*	*
2046 AK (OM 541.948)		Diesel		11946	335	456	04.03-	*	
2046 AK (OM 541.949)		Diesel		11946	335	456	04.03-	*	
2046 AK (OM 541.995)		Diesel		11946	335	456	04.03-	*	
2046 K (OM 541.948)		Diesel		11946	335	456	04.03-	*	*
2046 K (OM 541.980)		Diesel		11946	335	456	04.03-	*	*
2046 K (OM 541.994)		Diesel		11946	335	456	04.03-	*	*
2646 K, LK (OM 541.948)		Diesel		11946	335	456	04.03-	*	*
2646 K, LK (OM 541.980)		Diesel		11946	335	456	04.03-	*	*
2646 K, LK (OM 541.994)		Diesel		11946	335	456	04.03-	*	*
3246 K (OM 541.948)		Diesel		11946	335	456	04.03-	*	*
3246 K (OM 541.980)		Diesel		11946	335	456	04.03-	*	*
3246 K (OM 541.994)		Diesel		11946	335	456	04.03-	*	*
3346 AK (OM 541.949)		Diesel		11946	335	456	04.03-	*	
3346 AK (OM 541.995)		Diesel		11946	335	456	04.03-	*	
3346 AKE (OM 541.949)		Diesel		11946	335	456	04.03-	*	*
3346 AKE (OM 541.995)		Diesel		11946	335	456	04.03-	*	*
3346 K (OM 541.948)		Diesel		11946	335	456	04.03-	*	*
3346 K (OM 541.980)		Diesel		11946	335	456	04.03-	*	*
3346 K (OM 541.994)		Diesel		11946	335	456	04.03-	*	*
4146 AK (OM 541.949)		Diesel		11946	335	456	04.03-	*	
4146 K (OM 541.948)		Diesel		11946	335	456	04.03-	*	*
4146 K (OM 541.980)		Diesel		11946	335	456	04.03-	*	*
4146 K (OM 541.994)		Diesel		11946	335	456	04.03-	*	*
4146 K (OM 541.949)		Diesel		11946	335	456	04.03-	*	
5046 K (OM 541.948)		Diesel		11946	335	456	06.08-	*	*
5046 K (OM 541.980)		Diesel		11946	335	456	06.08-	*	*
5046 K (OM 541.994)		Diesel		11946	335	456	06.08-	*	*
1848 AK (OM 541.948)		Diesel		11946	350	476	04.03-	*	
1848 K (OM 541.948)		Diesel		11946	350	476	04.03-	*	*
1848 K (OM 541.978)		Diesel		11946	350	476	04.03-	*	*
2048 AK (OM 541.948)		Diesel		11946	350	476	04.03-	*	
2048 K (OM 541.978)		Diesel		11946	350	476	04.03-	*	*
2648 K, LK (OM 541.948)		Diesel		11946	350	476	04.03-	*	*
2648 K, LK (OM 541.978)		Diesel		11946	350	476	04.03-	*	*
3248 K (OM 541.978)		Diesel		11946	350	476	04.03-	*	*
3348 AK (OM 541.948)		Diesel		11946	350	476	04.03-	*	
3348 AKE (OM 541.949)		Diesel		11946	350	476	04.03-	*	*
3348 K (OM 541.978)		Diesel		11946	350	476	04.03-	*	*
4148 AK (OM 541.948)		Diesel		11946	350	476	04.03-	*	*
4148 K (OM 541.948)		Diesel		11946	350	476	04.03-	*	*
4148 K (OM 541.978)		Diesel		11946	350	476	04.03-	*	*

# LISTA DE APLICACIONES - BUYERS GUIDE

4148 K (OM 541.949)		Diesel		11946	350	476	04.03-	*	*
4148 K (OM 541.948)		Diesel		11946	350	476	04.03-	*	*
1848 AK (OM 542.925)		Diesel		15928	350	476	04.03-	*	
1848 K (OM 542.921)		Diesel		15928	350	476	04.03-	*	*
1848 K (OM 542.940)		Diesel		15928	350	476	04.03-	*	*
2648 K, LK (OM 542.921)		Diesel		15928	350	476	04.03-	*	*
2648 K, LK (OM 542.940)		Diesel		15928	350	476	04.03-	*	*
3348 AK (OM 542.925)		Diesel		15928	350	476	04.03-	*	
3348 K (OM 542.921)		Diesel		15928	350	476	04.03-	*	*
4148 AK (OM 542.925)		Diesel		15928	350	476	04.03-	*	
4148 K (OM 542.925)		Diesel		15928	350	476	04.03-	*	
4148 K (OM 542.921)		Diesel		15928	350	476	04.03-	*	*
1850, 1851 K (OM 542.940)		Diesel		15928	370	503	04.03-	*	*
1850, 1851 K (OM 542.960)		Diesel		15928	370	503	04.03-	*	*
1850 AK, 1851 AK (OM 542.940)		Diesel		15928	370	503	04.03-	*	*
1850 AK, 1851 AK (OM 542.941)		Diesel		15928	370	503	04.03-	*	*
1850 AK, 1851 AK (OM 542.960)		Diesel		15928	370	503	04.03-	*	*
1850 AK, 1851 AK (OM 542.961)		Diesel		15928	370	503	04.03-	*	*
2650 K, 2651 K, LK (OM 542.940)		Diesel		15928	370	503	04.03-	*	*
2650 K, 2651 K, LK (OM 542.960)		Diesel		15928	370	503	04.03-	*	*
3351 AK (OM 542.941)		Diesel		15928	370	503	04.03-	*	
3351 AK (OM 542.961)		Diesel		15928	370	503	04.03-	*	
3351 K (OM 542.940)		Diesel		15928	370	503	04.03-	*	*
3351 K (OM 542.960)		Diesel		15928	370	503	04.03-	*	*
4150 AK (OM 542.941)		Diesel		15928	370	503	04.03-	*	
4150 K (OM 542.940)		Diesel		15928	370	503	04.03-	*	*
4150 K (OM 542.941)		Diesel		15928	370	503	04.03-	*	
4151 AK (OM 542.961)		Diesel		15928	375	510	04.03-	*	
4151 K (OM 542.960)		Diesel		15928	375	510	05.05-	*	*
4151 K (OM 542.961)		Diesel		15928	375	510	04.03-	*	
2653 K, LK (OM 542.920)		Diesel		15928	390	530	04.03-	*	*
2653 K, LK (OM 542.942)		Diesel		15928	390	530	04.03-	*	*
2654 K, LK, 2655 K, LK (OM 542.942)		Diesel		15928	395	537	04.03-	*	*
2654 K, LK, 2655 K, LK (OM 542.962)		Diesel		15928	395	537	04.03-	*	*
3355 AK (OM 542.963)		Diesel		15928	405	551	04.03-	*	
4155 AK (OM 542.963)		Diesel		15928	405	551	04.03-	*	*
4155 K (OM 542.962)		Diesel		15928	405	551	04.03-	*	*
2658 K, LK (OM 542.944)		Diesel		15928	425	578	04.03-	*	*
2660 LK (OM 542.964)		Diesel		15928	440	598	04.03-	*	*
3360 AK (OM 542.965)		Diesel		15928	440	598	04.03-	*	
4160 AK (OM 542.965)		Diesel		15928	440	598	04.03-	*	*
4160 K (OM 542.964)		Diesel		15928	440	598	04.03-	*	*
4165 AK (OM 542.968)		Diesel		15928	480	653	04.03-	*	*
4165 AK (OM 542.969)		Diesel		15928	480	653	04.03-	*	*
<b>ACTROS MP2 / MP3 10.02-</b>							<b>Hormigonera</b>		
2631B (OM 541.920)		Diesel		11946	230	313	04.03-	*	*
2631B (OM 541.940)		Diesel		11946	230	313	04.03-	*	*
3231 B (OM 541.920)		Diesel		11946	230	313	04.03-	*	*
3231 B (OM 541.940)		Diesel		11946	230	313	04.03-	*	*
3331 B (OM 541.920)		Diesel		11946	230	313	04.03-	*	*
3331 B (OM 541.940)		Diesel		11946	230	313	04.03-	*	*

# LISTA DE APLICACIONES - BUYERS GUIDE

2632 B (OM 541.940)		Diesel		11946	235	320	04.03-	*	*
2632 B (OM 541.970)		Diesel		11946	235	320	04.03-	*	*
2632 B (OM 541.996)		Diesel		11946	235	320	04.03-	*	*
3232 B (OM 541.970)		Diesel		11946	235	320	04.03-	*	*
3232 B (OM 541.996)		Diesel		11946	235	320	04.03-	*	*
3332 B (OM 541.940)		Diesel		11946	235	320	04.03-	*	*
3332 B (OM 541.970)		Diesel		11946	235	320	04.03-	*	*
3332 B (OM 541.996)		Diesel		11946	235	320	04.03-	*	*
2635 B (OM 541.922)		Diesel		11946	260	354	04.03-	*	*
2635 B (OM 541.942)		Diesel		11946	260	354	04.03-	*	*
3235 B (OM 541.922)		Diesel		11946	260	354	04.03-	*	*
3235 B (OM 541.942)		Diesel		11946	260	354	04.03-	*	*
3335 B (OM 541.922)		Diesel		11946	260	354	04.03-	*	*
3335 B (OM 541.942)		Diesel		11946	260	354	04.03-	*	*
2636 B (OM 541.942)		Diesel		11946	265	360	04.03-	*	*
2636 B (OM 541.972)		Diesel		11946	265	360	04.03-	*	*
2636 B (OM 541.998)		Diesel		11946	265	360	04.03-	*	*
3236 B (OM 541.972)		Diesel		11946	265	360	04.03-	*	*
3236 B (OM 541.998)		Diesel		11946	265	360	04.03-	*	*
3336 B (OM 541.942)		Diesel		11946	265	360	04.03-	*	*
3336 B (OM 541.972)		Diesel		11946	265	360	04.03-	*	*
3336 B (OM 541.998)		Diesel		11946	265	360	04.03-	*	*
2640 B (OM 541.923)		Diesel		11946	290	394	04.03-	*	*
2640 B (OM 541.944)		Diesel		11946	290	394	04.03-	*	*
3240 B (OM 541.923)		Diesel		11946	290	394	04.03-	*	*
3240 B (OM 541.944)		Diesel		11946	290	394	04.03-	*	*
3339 B (OM 541.923)		Diesel		11946	290	394	04.03-	*	*
3339 B (OM 541.944)		Diesel		11946	290	394	04.03-	*	*
4140 B (OM 541.923)		Diesel		11946	290	394	04.03-	*	*
4140 B (OM 541.944)		Diesel		11946	290	394	04.03-	*	*
2641 B (OM 541.944)		Diesel		11946	300	408	04.03-	*	*
2641 B (OM 541.974)		Diesel		11946	300	408	04.03-	*	*
2641 B (OM 541.990)		Diesel		11946	300	408	04.03-	*	*
3241 B (OM 541.974)		Diesel		11946	300	408	04.03-	*	*
3241 B (OM 541.990)		Diesel		11946	300	408	04.03-	*	*
3341 B (OM 541.944)		Diesel		11946	300	408	04.03-	*	*
3341 B (OM 541.974)		Diesel		11946	300	408	04.03-	*	*
3341 B (OM 541.990)		Diesel		11946	300	408	04.03-	*	*
4141 B (OM 541.974)		Diesel		11946	300	408	04.03-	*	*
4141 B (OM 541.990)		Diesel		11946	300	408	04.03-	*	*
5041 B (OM 541.923)		Diesel		11946	300	408	06.08-	*	*
5041 B (OM 541.944)		Diesel		11946	300	408	06.08-	*	*
5041 B (OM 541.974)		Diesel		11946	300	408	06.08-	*	*
5041 B (OM 541.990)		Diesel		11946	300	408	06.08-	*	*
2643 B (OM 541.925)		Diesel		11946	315	428	04.03-	*	*
2643 B (OM 541.946)		Diesel		11946	315	428	04.03-	*	*
3243 B (OM 541.925)		Diesel		11946	315	428	04.03-	*	*
3243 B (OM 541.946)		Diesel		11946	315	428	04.03-	*	*
3343 B (OM 541.925)		Diesel		11946	315	428	04.03-	*	*
3343 B (OM 541.946)		Diesel		11946	315	428	04.03-	*	*
4143 B (OM 541.925)		Diesel		11946	315	428	04.03-	*	*

# LISTA DE APLICACIONES - BUYERS GUIDE

4143 B (OM 541.946)		Diesel		11946	315	428	04.03-	*	*
2644 B (OM 541.946)		Diesel		11946	320	435	04.03-	*	*
2644 B (OM 541.976)		Diesel		11946	320	435	04.03-	*	*
2644 B (OM 541.992)		Diesel		11946	320	435	04.03-	*	*
3244 B (OM 541.976)		Diesel		11946	320	435	04.03-	*	*
3244 B (OM 541.992)		Diesel		11946	320	435	04.03-	*	*
3344 B (OM 541.976)		Diesel		11946	320	435	04.03-	*	*
3344 B (OM 541.992)		Diesel		11946	320	435	04.03-	*	*
4144 B (OM 541.946)		Diesel		11946	320	435	04.03-	*	*
4144 B (OM 541.976)		Diesel		11946	320	435	04.03-	*	*
4144 B (OM 541.992)		Diesel		11946	320	435	04.03-	*	*
5044 B (OM 541.946)		Diesel		11946	320	435	06.08-	*	*
5044 B (OM 541.976)		Diesel		11946	320	435	06.08-	*	*
5044 B (OM 541.992)		Diesel		11946	320	435	06.08-	*	*
2646 B (OM 541.948)		Diesel		11946	335	456	04.03-	*	*
2646 B (OM 541.980)		Diesel		11946	335	456	04.03-	*	*
2646 B (OM 541.994)		Diesel		11946	335	456	04.03-	*	*
3246 B (OM 541.948)		Diesel		11946	335	456	04.03-	*	*
3246 B (OM 541.980)		Diesel		11946	335	456	04.03-	*	*
3246 B (OM 541.994)		Diesel		11946	335	456	04.03-	*	*
3346 B (OM 541.948)		Diesel		11946	335	456	04.03-	*	*
3346 B (OM 541.980)		Diesel		11946	335	456	04.03-	*	*
3346 B (OM 541.994)		Diesel		11946	335	456	04.03-	*	*
4146 B (OM 541.948)		Diesel		11946	335	456	04.03-	*	*
4146 B (OM 541.980)		Diesel		11946	335	456	04.03-	*	*
4146 B (OM 541.994)		Diesel		11946	335	456	04.03-	*	*
5046 B (OM 541.948)		Diesel		11946	335	456	06.08-	*	*
5046 B (OM 541.980)		Diesel		11946	335	456	06.08-	*	*
5046 B (OM 541.994)		Diesel		11946	335	456	06.08-	*	*
2648 B (OM 541.948)		Diesel		11946	350	476	04.03-	*	*
2648 B (OM 541.978)		Diesel		11946	350	476	04.03-	*	*
3248 B (OM 541.978)		Diesel		11946	350	476	04.03-	*	*
3348 B (OM 541.948)		Diesel		11946	350	476	04.03-	*	*
3348 B (OM 541.978)		Diesel		11946	350	476	04.03-	*	*
4148 B (OM 541.978)		Diesel		11946	350	476	04.03-	*	*
<b>ATEGO 01.98-10.04</b>								<b>Cabeza tractora</b>	
1823 LS (OM 906.920)		Diesel		6374	170	231	04.98-10.04	*	*
1828 LS (OM 906.921)		Diesel		6374	205	279	04.98-10.04	*	*
<b>ATEGO 01.98-10.04</b>								<b>Caja/Chasis</b>	
1823, 1823 L (OM 906.920)		Diesel		6374	170	231	01.98-10.04	*	*
1823, 1823 L (OM 906.925)		Diesel		6374	170	231	01.98-10.04	*	*
2523 L (OM 906.920)		Diesel		6374	170	231	04.98-10.04	*	*
1828, 1828 L (OM 906.921)		Diesel		6374	205	279	04.98-10.04	*	*
1828, 1828 L (OM 906.926)		Diesel		6374	205	279	04.98-10.04	*	*
1828 A (OM 906.923)		Diesel		6374	205	279	04.98-10.04	*	*
2528 L (OM 906.921)		Diesel		6374	205	279	04.98-10.04	*	*
2528 L (OM 906.926)		Diesel		6374	205	279	04.98-10.04	*	*
2528 L		Diesel		6374	205	279	04.98-10.04	*	*
2628 (OM 906.921)		Diesel		6374	205	279	04.98-10.04	*	*

# LISTA DE APLICACIONES - BUYERS GUIDE

<b>ATEGO 01.98-10.04</b>					<b>Camión volquete</b>				
1823 AK (OM 906.922)		Diesel		6374	170	231	04.98-10.04	*	*
1823 K (OM 906.920)		Diesel		6374	170	231	04.98-10.04	*	*
1828 AK (OM 906.923)		Diesel		6374	205	279	04.98-10.04	*	*
1828 K (OM 906.921)		Diesel		6374	205	279	04.98-10.04	*	*
2628K (OM 906.921)		Diesel		6374	205	279	04.98-10.04	*	*
<b>ATEGO 01.98-10.04</b>					<b>Hormigonera</b>				
2628B (OM 906.921)		Diesel		6374	205	279	04.98-10.04	*	*
<b>ATEGO 2 01.04-</b>					<b>Caja/Chasis</b>				
2422 (OM 924.924)		Diesel		4801	160	218	10.04-	*	*
2425 (OM 906.919)		Diesel		6374	180	245	10.04-	*	*
2425 (OM 906.983)		Diesel		6374	180	245	10.04-	*	*
2425 (OM 906.985)		Diesel		6374	180	245	10.04-	*	*
2425 (OM 906.988)		Diesel		6374	180	245	10.04-	*	*
2425 (OM 906.990)		Diesel		6374	180	245	10.04-	*	*
2226 L (OM 902.917)		Diesel		6374	188	256	10.04-	*	*
2428 (OM 906.921)		Diesel		6374	205	279	10.04-	*	*
2428 (OM 906.986)		Diesel		6374	205	279	10.04-	*	*
2529 L (OM 902.915)		Diesel		6374	210	286	10.04-	*	*
2428 (OM 926.941)		Diesel		7201	205	279	10.04-	*	*
<b>ATEGO 3 04.13-</b>					<b>Caja/Chasis</b>				
924, 924 L		Diesel		7698	175	238	04.13-	*	
<b>ATEGO 3 04.13-</b>					<b>Camión volquete</b>				
924 K		Diesel		7698	175	238	04.13-	*	
<b>ATEGO 3 04.13-</b>					<b>Veh. Municipal</b>				
927 F		Diesel		7698	200	272	04.13-	*	
<b>AXOR 09.01-12.05</b>					<b>Cabeza tractora</b>				
1835 LS (OM 457.937)		Diesel		11967	260	354	01.02-10.04	*	*
2535 LS (OM 457.937)		Diesel		11967	260	354	01.02-10.04	*	*
2535 LS (OM 457.948)		Diesel		11967	260	354	01.02-10.04	*	*
1840LS (OM 457.937)		Diesel		11967	295	401	01.02-10.04	*	*
2540 LS (OM 457.937)		Diesel		11967	295	401	01.02-10.04	*	*
2540 LS (OM 457.948)		Diesel		11967	295	401	01.02-10.04	*	*
1843 LS (OM 457.937)		Diesel		11967	315	428	01.02-10.04	*	*
2543 LS (OM 457.937)		Diesel		11967	315	428	01.02-10.04	*	*
2543 LS (OM 457.948)		Diesel		11967	315	428	01.02-10.04	*	*
<b>AXOR 09.01-12.05</b>					<b>Caja/Chasis</b>				
1823 (OM 906.920)		Diesel		6374	170	231	01.02-10.04	*	*
2523 (OM 906.920)		Diesel		6374	170	231	01.02-10.04	*	*
2623 L (OM 906.920)		Diesel		6374	170	231	01.02-10.04	*	*
2528 (OM 906.921)		Diesel		6374	205	279	01.02-10.04	*	*
2628 L (OM 906.921)		Diesel		6374	205	279	01.02-10.04	*	*
3228 C (OM 906.921)		Diesel		6374	205	279	01.02-10.04	*	*
<b>AXOR 09.01-12.05</b>					<b>Camión volquete</b>				
1823 K (OM 906.920)		Diesel		6374	170	231	01.02-10.04	*	*
2523 K (OM 906.920)		Diesel		6374	170	231	01.02-10.04	*	*
2628K (OM 906.921)		Diesel		6374	205	279	01.02-10.04	*	

# LISTA DE APLICACIONES - BUYERS GUIDE

<b>AXOR 09.01-12.05</b>				<b>Hormigonera</b>				
2628B (OM 906.921)	Diesel		6374	205	279	01.02-10.04	*	
<b>AXOR 2 10.04-</b>				<b>Cabeza tractora</b>				
1823 LS, 1824 LS (OM 902.913)	Diesel		6374	170	231	10.04-	*	*
1823 LS, 1824 LS (OM 906.920)	Diesel		6374	170	231	10.04-	*	*
1826 LS (OM 902.914)	Diesel		6374	188	256	10.04-	*	*
1828 LS (OM 906.921)	Diesel		6374	205	279	10.04-	*	*
1829 LS (OM 902.915)	Diesel		6374	210	286	10.04-	*	*
1833 LS (OM 926.913)	Diesel		7201	240	326	10.04-	*	*
1933 S (OM 926.921)	Diesel		7201	240	326	01.11-	*	*
1933 S (OM 926.990)	Diesel		7201	240	326	01.11-	*	*
1835 LS (OM 457.937)	Diesel		11967	260	354	01.11-	*	*
2035 S, 2036 S, LS (OM 457.910)	Diesel		11967	260	354	01.11-	*	*
2035 S, 2036 S, LS (OM 457.917)	Diesel		11967	260	354	01.11-	*	*
2035 S, 2036 S, LS (OM 457.918)	Diesel		11967	260	354	01.11-	*	*
2535 S, 2535 LS (OM 457.918)	Diesel		11967	260	354	10.04-	*	*
2535 S, 2535 LS (OM 457.981)	Diesel		11967	260	354	10.04-	*	*
3335 S (OM 457.962)	Diesel		11967	260	354	09.08-	*	*
1836 LS, LLS (OM 457.937)	Diesel		11967	265	360	10.04-	*	*
1836 LS, LLS (OM 457.948)	Diesel		11967	265	360	10.04-	*	*
1836 LS, LLS (OM 457.980)	Diesel		11967	265	360	10.04-	*	*
2436 LS, 2536 LS (OM 457.948)	Diesel		11967	265	360	10.04-	*	*
2436 LS, 2536 LS (OM 457.980)	Diesel		11967	265	360	10.04-	*	*
1840 LS, LLS (OM 457.937)	Diesel		11967	295	401	10.04-	*	*
1840 LS, LLS (OM 457.948)	Diesel		11967	295	401	10.04-	*	*
1840 LS, LLS (OM 457.955)	Diesel		11967	295	401	10.04-	*	*
1840 LS, LLS (OM 457.980)	Diesel		11967	295	401	10.04-	*	*
2040 S, 2041 S, 2041 S, 2041 LS (OM 457.910)	Diesel		11967	295	401	01.11-	*	*
2040 S, 2041 S, 2041 S, 2041 LS (OM 457.917)	Diesel		11967	295	401	01.11-	*	*
2040 S, 2041 S, 2041 S, 2041 LS (OM 457.918)	Diesel		11967	295	401	01.11-	*	*
2440 LS, 2540 LS (OM 457.948)	Diesel		11967	295	401	10.04-	*	*
2440 LS, 2540 LS (OM 457.981)	Diesel		11967	295	401	10.04-	*	*
2540 S, 2541 S, LS (OM 457.918)	Diesel		11967	295	401	10.04-	*	*
2540 S, 2541 S, LS (OM 457.980)	Diesel		11967	295	401	10.04-	*	*
2640 S, 2641 S, LS (OM 457.918)	Diesel		11967	295	401	10.04-	*	*
3340 S, 3341 S (OM 457.910)	Diesel		11967	295	400	06.09-	*	*
3340 S, 3341 S (OM 457.917)	Diesel		11967	295	400	06.09-	*	*
3340 S, 3341 S (OM 457.918)	Diesel		11967	295	400	06.09-	*	*
3340 S, 3341 S (OM 457.962)	Diesel		11967	295	400	06.09-	*	*
1843 LS, LLS (OM 457.937)	Diesel		11967	315	428	10.04-	*	*
1843 LS, LLS (OM 457.948)	Diesel		11967	315	428	10.04-	*	*
1843 LS, LLS (OM 457.980)	Diesel		11967	315	428	10.04-	*	*
2044 S (OM 457.910)	Diesel		11967	315	428	01.11-	*	*
2044 S (OM 457.917)	Diesel		11967	315	428	01.11-	*	*
2044 S (OM 457.918)	Diesel		11967	315	428	01.11-	*	*
2443 LS, 2543 LS (OM 457.948)	Diesel		11967	315	428	10.04-	*	*
2443 LS, 2543 LS (OM 457.980)	Diesel		11967	315	428	10.04-	*	*
2543 S, 2543 LS (OM 457.980)	Diesel		11967	315	428	10.04-	*	*
2644 S, LS (OM 457.918)	Diesel		11967	315	428	10.04-	*	*
2644 S, LS (OM 457.937)	Diesel		11967	315	428	10.04-	*	*
2644 S, LS (OM 457.948)	Diesel		11967	315	428	10.04-	*	*

# LISTA DE APLICACIONES - BUYERS GUIDE

3343 S (OM 457.910)	Diesel	11967	315	428	01.11-	*
3343 S (OM 457.917)	Diesel	11967	315	428	01.11-	*
3343 S (OM 457.918)	Diesel	11967	315	428	01.11-	*
2544 S, 2544 LS	Diesel	11967	323	439	10.04-	*
2644 S, LS	Diesel	11967	323	439	10.04-	*
<b>AXOR 2 10.04-</b>						<b>Caja/Chasis</b>
1823, 1823 L, 1824, 1824 L, LL (OM 902.913)	Diesel	6374	170	231	10.04-	* *
1823, 1823 L, 1824, 1824 L, LL (OM 906.920)	Diesel	6374	170	231	10.04-	* *
2523 (OM 906.920)	Diesel	6374	170	231	01.11-	* *
1826, 1826 L, LL (OM 902.914)	Diesel	6374	188	256	10.04-	* *
1828, 1828 L, 1829, 1829 L, LL (OM 902.915)	Diesel	6374	205	279	10.04-	* *
1828, 1828 L, 1829, 1829 L, LL (OM 906.921)	Diesel	6374	205	279	10.04-	* *
1828, 1828 L, 1829, 1829 L, LL (OM 906.926)	Diesel	6374	205	279	10.04-	* *
1828 A, 1829 A (OM 902.932)	Diesel	6374	205	279	10.04-	* *
1828 A, 1829 A (OM 906.923)	Diesel	6374	205	279	10.04-	* *
1828 A, 1829 A (OM 906.928)	Diesel	6374	205	279	10.04-	* *
2528 L, 2529 L (OM 902.915)	Diesel	6374	205	279	10.04-	* *
2528 L, 2529 L (OM 906.921)	Diesel	6374	205	279	10.04-	* *
2528 L, 2529 L (OM 906.926)	Diesel	6374	205	279	10.04-	* *
2528 L, 2529 L	Diesel	6374	205	279	10.04-	* *
2628, 2629 (OM 902.915)	Diesel	6374	205	279	10.04-	* *
2628, 2629 (OM 906.921)	Diesel	6374	205	279	10.04-	* *
2628, 2629 (OM 906.926)	Diesel	6374	205	279	10.04-	* *
2628, 2629 (OM 906.995)	Diesel	6374	205	279	10.04-	* *
3228 (OM 906.921)	Diesel	6374	205	279	01.11-	* *
2831 (OM 926.926)	Diesel	7201	225	305	01.11-	* *
2831 (OM 926.930)	Diesel	7201	225	305	01.11-	* *
2831 (OM 926.932)	Diesel	7201	225	305	01.11-	* *
3131	Diesel	7201	228	310	01.11-	* *
1833, 1833 L, LL (OM 926.913)	Diesel	7201	240	326	10.04-	* *
1833 A (OM 926.913)	Diesel	7201	240	326	10.04-	* *
1933 (OM 926.921)	Diesel	7201	240	326	10.04-	* *
1933 (OM 926.990)	Diesel	7201	240	326	10.04-	* *
2533, 2533 L (OM 926.913)	Diesel	7201	240	326	10.04-	* *
2533, 2533 L (OM 926.919)	Diesel	7201	240	326	10.04-	* *
2533, 2533 L (OM 926.921)	Diesel	7201	240	326	10.04-	* *
2533, 2533 L (OM 926.945)	Diesel	7201	240	326	10.04-	* *
2533, 2533 L (OM 926.990)	Diesel	7201	240	326	10.04-	* *
2533, 2533 L	Diesel	7201	240	326	10.04-	* *
2633 (OM 926.913)	Diesel	7201	240	326	10.04-	* *
2633 (OM 926.919)	Diesel	7201	240	326	10.04-	* *
2633 (OM 926.945)	Diesel	7201	240	326	10.04-	* *
2535 L, 2536 L, 2536 LL (OM 457.937)	Diesel	11967	260	354	10.04-	* *
2535 L, 2536 L, 2536 LL (OM 457.948)	Diesel	11967	260	354	10.04-	* *
2535 L, 2536 L, 2536 LL (OM 457.980)	Diesel	11967	260	354	10.04-	* *
3235 (OM 457.937)	Diesel	11967	260	354	10.04-	* *
3235 (OM 457.948)	Diesel	11967	260	354	10.04-	* *
3335 (OM 457.937)	Diesel	11967	260	354	10.04-	* *
2636 (OM 457.937)	Diesel	11967	265	360	10.04-	* *
2540 L, LL (OM 457.937)	Diesel	11967	295	401	10.04-	* *
2540 L, LL (OM 457.948)	Diesel	11967	295	401	10.04-	* *

# LISTA DE APLICACIONES - BUYERS GUIDE

2540 L, LL (OM 457.980)		Diesel		11967	295	401	10.04-	*	*
2640 (OM 457.937)		Diesel		11967	295	401	10.04-	*	*
3240 (OM 457.937)		Diesel		11967	295	401	03.05-	*	*
3240 (OM 457.948)		Diesel		11967	295	401	03.05-	*	*
3340, 3341 (OM 457.910)		Diesel		11967	295	401	10.04-	*	*
3340, 3341 (OM 457.917)		Diesel		11967	295	401	10.04-	*	*
3340, 3341 (OM 457.918)		Diesel		11967	295	401	10.04-	*	*
3340, 3341 (OM 457.937)		Diesel		11967	295	401	10.04-	*	*
4140 (OM 457.910)		Diesel		11967	295	401	01.11-	*	
4140 (OM 457.917)		Diesel		11967	295	401	01.11-	*	
4140 (OM 457.918)		Diesel		11967	295	401	01.11-	*	
2543 L, LL (OM 457.937)		Diesel		11967	315	428	10.04-	*	*
2543 L, LL (OM 457.948)		Diesel		11967	315	428	10.04-	*	*
2543 L, LL (OM 457.980)		Diesel		11967	315	428	10.04-	*	*
2643 (OM 457.937)		Diesel		11967	315	428	10.04-	*	*
3243 (OM 457.937)		Diesel		11967	315	428	10.04-	*	*
3243 (OM 457.948)		Diesel		11967	315	428	10.04-	*	*
3343 (OM 457.937)		Diesel		11967	315	428	10.04-	*	*
4144 (OM 457.910)		Diesel		11967	315	428	01.11-	*	
4144 (OM 457.917)		Diesel		11967	315	428	01.11-	*	
4144 (OM 457.918)		Diesel		11967	315	428	01.11-	*	
3344		Diesel		11967	323	437	10.04-	*	
<b>AXOR 2 10.04-</b>					<b>Camión volquete</b>				
1823 AK, 1824 AK (OM 902.913)		Diesel		6374	170	231	10.04-	*	
1823 AK, 1824 AK (OM 902.930)		Diesel		6374	170	231	10.04-	*	
1823 AK, 1824 AK (OM 906.922)		Diesel		6374	170	231	10.04-	*	
1823 AK, 1824 AK (OM 906.927)		Diesel		6374	170	231	10.04-	*	
1823 K, 1823 KL, 1824 K (OM 902.913)		Diesel		6374	170	231	10.04-	*	*
1823 K, 1823 KL, 1824 K (OM 906.920)		Diesel		6374	170	231	10.04-	*	*
1823 K, 1823 KL, 1824 K (OM 906.925)		Diesel		6374	170	231	10.04-	*	*
1826 AK (OM 902.914)		Diesel		6374	188	256	10.04-	*	
1826 AK (OM 902.931)		Diesel		6374	188	256	10.04-	*	
1826 K (OM 902.914)		Diesel		6374	188	256	10.04-	*	*
1828 AK, 1829 AK (OM 902.932)		Diesel		6374	205	279	10.04-	*	
1828 AK, 1829 AK (OM 906.923)		Diesel		6374	205	279	10.04-	*	
1828 AK, 1829 AK (OM 906.928)		Diesel		6374	205	279	10.04-	*	
1828 K, 1828 KL, 1829 K (OM 902.915)		Diesel		6374	205	279	10.04-	*	*
1828 K, 1828 KL, 1829 K (OM 906.921)		Diesel		6374	205	279	10.04-	*	*
1828 K, 1828 KL, 1829 K (OM 906.926)		Diesel		6374	205	279	10.04-	*	*
2528 K, 2528 KL (OM 906.921)		Diesel		6374	205	279	01.11-	*	*
2628 K, 2629 K (OM 902.915)		Diesel		6374	205	279	10.04-	*	*
2628 K, 2629 K (OM 906.921)		Diesel		6374	205	279	10.04-	*	*
2628 K, 2629 K (OM 906.926)		Diesel		6374	205	279	10.04-	*	*
2828 K (OM 906.930)		Diesel		6374	205	279	10.04-	*	
3028K (OM 906.921)		Diesel		6374	205	279	01.11-	*	*
1833 AK (OM 926.913)		Diesel		7201	240	326	10.04-	*	
1833 AK (OM 926.917)		Diesel		7201	240	326	10.04-	*	
1833 AK (OM 926.937)		Diesel		7201	240	326	10.04-	*	
1833 K (OM 926.913)		Diesel		7201	240	326	10.04-	*	*
2633 K (OM 926.913)		Diesel		7201	240	326	10.04-	*	*
2633 K (OM 926.919)		Diesel		7201	240	326	10.04-	*	*

# LISTA DE APLICACIONES - BUYERS GUIDE

2633 K (OM 926.945)	Diesel		7201	240	326	10.04-	*	*
3335 K (OM 457.956)	Diesel		11967	260	354	06.09-	*	*
3335 K (OM 457.957)	Diesel		11967	260	354	06.09-	*	*
3535K (OM 457.937)	Diesel		11967	260	354	06.09-	*	
4135 K (OM 457.956)	Diesel		11967	260	354	06.09-	*	*
4135 K (OM 457.957)	Diesel		11967	260	354	06.09-	*	*
2636K (OM 457.937)	Diesel		11967	265	360	10.04-	*	*
2636K (OM 457.948)	Diesel		11967	265	360	10.04-	*	*
2636K (OM 457.956)	Diesel		11967	265	360	10.04-	*	*
2636K (OM 457.957)	Diesel		11967	265	360	10.04-	*	*
2636K (OM 457.980)	Diesel		11967	265	360	10.04-	*	*
2636K (OM 457.981)	Diesel		11967	265	360	10.04-	*	*
3236 K (OM 457.956)	Diesel		11967	265	360	10.04-	*	*
3236 K (OM 457.957)	Diesel		11967	265	360	10.04-	*	*
3236 K (OM 457.980)	Diesel		11967	265	360	10.04-	*	*
3236 K (OM 457.981)	Diesel		11967	265	360	10.04-	*	*
2640 K (OM 457.956)	Diesel		11967	295	401	10.04-	*	*
2640 K (OM 457.957)	Diesel		11967	295	401	10.04-	*	*
2640 K (OM 457.980)	Diesel		11967	295	401	10.04-	*	*
2640 K (OM 457.981)	Diesel		11967	295	401	10.04-	*	*
3240 K (OM 457.956)	Diesel		11967	295	401	10.04-	*	*
3240 K (OM 457.957)	Diesel		11967	295	401	10.04-	*	*
3340 K, 3341 K (OM 457.910)	Diesel		11967	295	401	10.04-	*	*
3340 K, 3341 K (OM 457.917)	Diesel		11967	295	401	10.04-	*	*
3340 K, 3341 K (OM 457.918)	Diesel		11967	295	401	10.04-	*	*
3340 K, 3341 K (OM 457.937)	Diesel		11967	295	401	10.04-	*	*
3340 K, 3341 K (OM 457.956)	Diesel		11967	295	401	10.04-	*	*
3340 K, 3341 K (OM 457.957)	Diesel		11967	295	401	10.04-	*	*
4140 K (OM 457.956)	Diesel		11967	295	401	06.09-	*	*
4140 K (OM 457.957)	Diesel		11967	295	401	06.09-	*	*
2643 K (OM 457.956)	Diesel		11967	315	428	10.04-	*	*
2643 K (OM 457.957)	Diesel		11967	315	428	10.04-	*	*
2643 K (OM 457.980)	Diesel		11967	315	428	10.04-	*	*
2643 K (OM 457.981)	Diesel		11967	315	428	10.04-	*	*
3243 K (OM 457.956)	Diesel		11967	315	428	10.04-	*	*
3243 K (OM 457.957)	Diesel		11967	315	428	10.04-	*	*
3243 K (OM 457.980)	Diesel		11967	315	428	10.04-	*	*
3243 K (OM 457.981)	Diesel		11967	315	428	10.04-	*	*
3343 K (OM 457.910)	Diesel		11967	315	428	01.11-	*	*
3343 K (OM 457.917)	Diesel		11967	315	428	01.11-	*	*
3343 K (OM 457.918)	Diesel		11967	315	428	01.11-	*	*
3344 K (OM 457.910)	Diesel		11967	315	428	01.11-	*	*
3344 K (OM 457.917)	Diesel		11967	315	428	01.11-	*	*
3344 K (OM 457.918)	Diesel		11967	315	428	01.11-	*	*
3344 K (OM 457.956)	Diesel		11967	315	428	01.11-	*	*
3344 K (OM 457.957)	Diesel		11967	315	428	01.11-	*	*
4143 K (OM 457.956)	Diesel		11967	315	428	01.11-	*	*
4143 K (OM 457.957)	Diesel		11967	315	428	01.11-	*	*
4143 K (OM 457.956)	Diesel		11967	315	428	06.09-	*	*
4143 K (OM 457.957)	Diesel		11967	315	428	06.09-	*	*

# LISTA DE APLICACIONES - BUYERS GUIDE

<b>AXOR 2 10.04-</b>							<b>Hormigonera</b>		
2628 B, 2629 B (OM 902.915)		Diesel		6374	205	279	10.04-	*	*
2628 B, 2629 B (OM 906.921)		Diesel		6374	205	279	10.04-	*	*
2628 B, 2629 B (OM 906.926)		Diesel		6374	205	279	10.04-	*	*
3028B (OM 906.921)		Diesel		6374	205	279	01.11-	*	*
2633 B (OM 926.913)		Diesel		7201	240	326	10.04-	*	*
2633 B (OM 926.919)		Diesel		7201	240	326	10.04-	*	*
2633 B (OM 926.945)		Diesel		7201	240	326	10.04-	*	*
2635 B (OM 457.956)		Diesel		11967	260	354	10.05-	*	*
2635 B (OM 457.957)		Diesel		11967	260	354	10.05-	*	*
2635 B (OM 457.980)		Diesel		11967	260	354	10.05-	*	*
2635 B (OM 457.981)		Diesel		11967	260	354	10.05-	*	*
3335 B (OM 457.956)		Diesel		11967	260	354	10.04-10.05	*	*
3335 B (OM 457.957)		Diesel		11967	260	354	10.04-10.05	*	*
4135 B (OM 457.956)		Diesel		11967	260	354	10.05-	*	*
4135 B (OM 457.957)		Diesel		11967	260	354	10.05-	*	*
2636 B (OM 457.937)		Diesel		11967	265	360	10.04-	*	*
2636 B (OM 457.948)		Diesel		11967	265	360	10.04-	*	*
3236 B (OM 457.956)		Diesel		11967	265	360	10.04-	*	*
3236 B (OM 457.957)		Diesel		11967	265	360	10.04-	*	*
3236 B (OM 457.980)		Diesel		11967	265	360	10.04-	*	*
3236 B (OM 457.981)		Diesel		11967	265	360	10.04-	*	*
2640 B (OM 457.956)		Diesel		11967	295	401	10.04-	*	*
2640 B (OM 457.957)		Diesel		11967	295	401	10.04-	*	*
2640 B (OM 457.980)		Diesel		11967	295	401	10.04-	*	*
2640 B (OM 457.981)		Diesel		11967	295	401	10.04-	*	*
3240 B (OM 457.956)		Diesel		11967	295	401	10.04-	*	*
3240 B (OM 457.957)		Diesel		11967	295	401	10.04-	*	*
3240 B (OM 457.980)		Diesel		11967	295	401	10.04-	*	*
3240 B (OM 457.981)		Diesel		11967	295	401	10.04-	*	*
3340 B (OM 457.956)		Diesel		11967	295	401	10.04-10.05	*	*
3340 B (OM 457.957)		Diesel		11967	295	401	10.04-10.05	*	*
4140 B (OM 457.956)		Diesel		11967	295	401	01.11-	*	*
4140 B (OM 457.957)		Diesel		11967	295	401	01.11-	*	*
2643 B (OM 457.956)		Diesel		11967	315	428	10.04-	*	*
2643 B (OM 457.957)		Diesel		11967	315	428	10.04-	*	*
2643 B (OM 457.980)		Diesel		11967	315	428	10.04-	*	*
2643 B (OM 457.981)		Diesel		11967	315	428	10.04-	*	*
3243 B (OM 457.956)		Diesel		11967	315	428	10.04-	*	*
3243 B (OM 457.957)		Diesel		11967	315	428	10.04-	*	*
3243 B (OM 457.980)		Diesel		11967	315	428	10.04-	*	*
3243 B (OM 457.981)		Diesel		11967	315	428	10.04-	*	*
3343 B (OM 457.956)		Diesel		11967	315	428	10.04-	*	*
3343 B (OM 457.957)		Diesel		11967	315	428	10.04-	*	*
4143 B (OM 457.956)		Diesel		11967	315	428	01.11-	*	*
4143 B (OM 457.957)		Diesel		11967	315	428	01.11-	*	*
<b>DCA</b>							<b>Grupo muelle neumático</b>		
DCA							01.53-		*
<b>DLS</b>							<b>Grupo muelle neumático</b>		
DLS 10Loch							01.53-		*

# LISTA DE APLICACIONES - BUYERS GUIDE

DLS 8 Loch							01.53-	*
<b>ECONIC 01.98-</b>				<b>Cabeza tractora</b>				
1829 LS (OM 902.927)		Diesel		6374	210	286	10.07-	* *
1833 LS (OM 926.934)		Diesel		7201	240	326	10.07-	* *
<b>ECONIC 01.98-</b>				<b>Cabeza tractora</b>				
1828 LS (M 902.903)		Gasolina		6883	205	279	10.04-	* *
<b>ECONIC 01.98-</b>				<b>Caja/Chasis</b>				
2628 L (M 906.900)		Gasolina		6883	205	279	10.00-	* *
<b>ECONIC 01.98-</b>				<b>Veh. Municipal</b>				
1823 L, 1823 LL (OM 906.924)		Diesel		6374	170	231	03.98-	* *
1823 L, 1823 LL (OM 906.940)		Diesel		6374	170	231	03.98-	* *
1823 L, 1823 LL (OM 906.951)		Diesel		6374	170	231	03.98-	* *
1824 L, 1824 LL (OM 902.933)		Diesel		6374	175	238	10.06-	* *
2624 L (OM 902.933)		Diesel		6374	175	238	03.98-	* *
1828 L, 1828 LL (OM 906.941)		Diesel		6374	205	279	03.98-	* *
1828 L, 1828 LL (OM 906.952)		Diesel		6374	205	279	03.98-	* *
2628 LL (OM 906.941)		Diesel		6374	205	279	03.98-	* *
2628 LL (OM 906.952)		Diesel		6374	205	279	03.98-	* *
2628 LL (OM 906.941)		Diesel		6374	205	279	01.98-	* *
2628 LL (OM 906.952)		Diesel		6374	205	279	01.98-	* *
1829 L, 1829 LL (OM 902.927)		Diesel		6374	210	286	10.06-	* *
2629 L, 2629 LL (OM 902.927)		Diesel		6374	210	286	10.01-	* *
2629 L, 2629 LL (OM 902.927)		Diesel		6374	210	286	10.01-	* *
2633 LL		Diesel		6374	240	326	10.07-	* *
1833 L, 1833 LL (OM 926.924)		Diesel		7201	240	326	10.06-	* *
1833 L, 1833 LL (OM 926.934)		Diesel		7201	240	326	10.06-	* *
2633 L (OM 926.921)		Diesel		7201	240	326	10.01-	* *
2633 L (OM 926.934)		Diesel		7201	240	326	10.01-	* *
2633 L, 2633 LL (OM 926.924)		Diesel		7201	240	326	10.07-	* *
2633 L, 2633 LL (OM 926.934)		Diesel		7201	240	326	10.07-	* *
3233 L, 3233 LL (OM 926.934)		Diesel		7201	240	326	10.07-	* *
<b>ECONIC 01.98-</b>				<b>Veh. Municipal</b>				
1828 L (M 906.900)		Gasolina		6883	205	279	10.00-	* *
1828 L, 1828 LL (M 902.900)		Gasolina		6883	205	279	10.06-	* *
1828 L, 1828 LL (M 902.903)		Gasolina		6883	205	279	10.06-	* *
1828 LLS		Gasolina		6883	205	279	10.00-	* *
2628 L (M 902.900)		Gasolina		6883	205	279	10.00-	* *
2628 L (M 902.903)		Gasolina		6883	205	279	10.00-	* *
2628 L (M 906.900)		Gasolina		6883	205	279	10.01-	* *
<b>HL</b>				<b>Eje máquina tractora</b>				
HL7/025DC-13							01.53-	*
<b>HO</b>				<b>Eje máquina tractora</b>				
HO7/03DCL-12,3							01.53-	*
<b>INTOURO 01.05-</b>				<b>Bus</b>				
Intouro, Intouro E, Intouro M, Intouro ME (OM 926.939)		Diesel		7201	210	286	01.05-	* *
Intouro, Intouro E, Intouro M, Intouro ME (OM 457.965)		Diesel		11967	220	299	01.05-	* *
Intouro, Intouro E, Intouro M, Intouro ME (OM 457.965)		Diesel		11967	260	354	01.05-	* *

# LISTA DE APLICACIONES - BUYERS GUIDE

Intouro, Intouro E, Intouro M, Intouro ME (OM 457.965)	Diesel		11967	300	408	01.05-	*	*	
<b>MK 12.87-12.05</b>							<b>Caja/Chasis</b>		
1827,1827 L (OM 401.973)	Diesel		9570	200	272	12.87-09.96	*		
1827,1827 L (OM 401.977)	Diesel		9570	200	272	12.87-09.96	*		
1827,1827 L (OM 401.991)	Diesel		9570	200	272	12.87-09.96	*		
2527 L (OM 401.973)	Diesel		9570	200	272	09.92-09.96	*	*	
2527 L (OM 401.977)	Diesel		9570	200	272	09.92-09.96	*	*	
2527 L (OM 401.979)	Diesel		9570	200	272	09.92-09.96	*	*	
1827,1827 L (OM 445.926)	Diesel		10964	200	272	12.87-09.96	*		
1827,1827 L (OM 445.936)	Diesel		10964	200	272	12.87-09.96	*		
2527 (OM 445.926)	Diesel		10964	200	272	01.94-09.96	*	*	
2527 L (OM 445.926)	Diesel		10964	200	272	01.94-09.96	*	*	
2527 L (OM 445.929)	Diesel		10964	200	272	01.94-09.96	*	*	
2527 L (OM 445.936)	Diesel		10964	200	272	01.94-09.96	*	*	
2527 L (OM 445.940)	Diesel		10964	200	272	01.94-09.96	*	*	
2433,2433 L, 2434 L (OM 441.960)	Diesel		10964	243	330	12.87-09.96	*	*	
2433,2433 L, 2434 L (OM 441.962)	Diesel		10964	243	330	12.87-09.96	*	*	
2433,2433 L, 2434 L (OM 441.981)	Diesel		10964	243	330	12.87-09.96	*	*	
2433,2433 L, 2434 L (OM 441.983)	Diesel		10964	243	330	12.87-09.96	*	*	
2433,2433 L, 2434 L (OM 441.986)	Diesel		10964	243	330	12.87-09.96	*	*	
2433,2433 L, 2434 L (OM 441.989)	Diesel		10964	243	330	12.87-09.96	*	*	
2433,2433 L, 2434 L (OM 445.920)	Diesel		10964	243	330	12.87-09.96	*	*	
2433,2433 L, 2434 L (OM 445.939)	Diesel		10964	243	330	12.87-09.96	*	*	
2534,2534 L (OM 441.986)	Diesel		10964	250	340	12.87-09.96	*	*	
2534,2534 L (OM 441.987)	Diesel		10964	250	340	12.87-09.96	*	*	
2534,2534 L (OM 441.989)	Diesel		10964	250	340	12.87-09.96	*	*	
2534,2534 L (OM 441.991)	Diesel		10964	250	340	12.87-09.96	*	*	
2534,2534 L (OM 445.920)	Diesel		10964	250	340	12.87-09.96	*	*	
2534,2534 L (OM 445.921)	Diesel		10964	250	340	12.87-09.96	*	*	
2534,2534 L (OM 445.922)	Diesel		10964	250	340	12.87-09.96	*	*	
<b>O 350 TOURISMO (O 350) 09.94-</b>							<b>Bus</b>		
Tourismo RHD, SHD (OM 441.980)	Diesel		10964	250	340	08.95-	*	*	
Tourismo RHD, SHD (OM 445.934)	Diesel		10964	250	340	08.95-	*	*	
Tourismo 15 RHD (OM 457.941)	Diesel		11967	185	252	01.03-	*	*	
Tourismo 15 RHD (OM 457.941)	Diesel		11967	220	299	01.03-	*	*	
Tourismo 15 RHD (OM 457.952)	Diesel		11967	220	299	01.03-	*	*	
Tourismo 15 RHD (OM 457.965)	Diesel		11967	220	299	01.03-	*	*	
Tourismo 16 RHD (OM 457.952)	Diesel		11967	220	299	01.03-	*	*	
Tourismo 16 RHD (OM 457.965)	Diesel		11967	220	299	01.03-	*	*	
Tourismo 15 RHD (OM 457.941)	Diesel		11967	260	354	01.03-	*	*	
Tourismo 15 RHD (OM 457.953)	Diesel		11967	260	354	01.03-	*	*	
Tourismo 15 RHD (OM 457.961)	Diesel		11967	260	354	01.03-	*	*	
Tourismo 15 RHD (OM 457.965)	Diesel		11967	260	354	01.03-	*	*	
Tourismo 15 SHD (OM 457.944)	Diesel		11967	260	354	01.03-	*	*	
Tourismo 15 SHD (OM 457.953)	Diesel		11967	260	354	01.03-	*	*	
Tourismo 16 RHD (OM 457.944)	Diesel		11967	260	354	01.03-	*	*	
Tourismo 16 RHD (OM 457.952)	Diesel		11967	260	354	01.03-	*	*	
Tourismo 16 RHD (OM 457.961)	Diesel		11967	260	354	01.03-	*	*	
Tourismo 16 RHD (OM 457.965)	Diesel		11967	260	354	01.03-	*	*	
Tourismo 16 RHD (OM 457.944)	Diesel		11967	260	354	01.03-	*	*	

## LISTA DE APLICACIONES - BUYERS GUIDE

Tourismo 16 RHD (OM 457.953)		Diesel		11967	260	354	01.03-	*	*
Tourismo 16 RHD (OM 457.961)		Diesel		11967	260	354	01.03-	*	*
Tourismo 17 RHD (OM 457.944)		Diesel		11967	260	354	01.03-	*	*
Tourismo 17 RHD (OM 457.953)		Diesel		11967	260	354	01.03-	*	*
Tourismo 17 RHD (OM 457.961)		Diesel		11967	260	354	01.03-	*	*
Tourismo RHD, SHD (OM 457.944)		Diesel		11967	260	354	09.03-	*	*
Tourismo 15 RHD (OM 457.952)		Diesel		11967	300	408	01.03-	*	*
Tourismo 15 RHD (OM 457.965)		Diesel		11967	300	408	01.03-	*	*
Tourismo 15 SHD (OM 457.944)		Diesel		11967	310	422	01.03-	*	*
Tourismo 16 RHD (OM 457.944)		Diesel		11967	310	422	01.03-	*	*
Tourismo 16 RHD (OM 457.953)		Diesel		11967	310	422	01.03-	*	*
Tourismo 17 RHD (OM 457.944)		Diesel		11967	310	422	01.03-	*	*
Tourismo RHD, SHD (OM 457.944)		Diesel		11967	310	422	09.03-	*	*
Tourismo 16 RHD (OM 457.953)		Diesel		11967	315	428	01.03-	*	*
Tourismo 16 RHD (OM 457.961)		Diesel		11967	315	428	01.03-	*	*
Tourismo 17 RHD (OM 457.953)		Diesel		11967	315	428	01.03-	*	*
Tourismo 17 RHD (OM 457.961)		Diesel		11967	315	428	01.03-	*	*
Tourismo 15 RHD (OM 457.961)		Diesel		11967	335	456	01.03-	*	*
Tourismo 16 RHD (OM 457.961)		Diesel		11967	335	456	01.03-	*	*
Tourismo 17 RHD (OM 457.961)		Diesel		11967	335	456	01.03-	*	*
Tourismo 17 RHD (OM 542.948)		Diesel		15928	320	435	01.03-	*	*
Tourismo 16 RHD (OM 542.966)		Diesel		15928	350	476	01.03-	*	*
Tourismo 17 RHD (OM 542.948)		Diesel		15928	350	476	01.03-	*	*
Tourismo 17 RHD (OM 542.966)		Diesel		15928	350	476	01.03-	*	*
Tourismo 16 RHD (OM 542.966)		Diesel		15928	370	503	01.03-	*	*
Tourismo 17 RHD (OM 542.948)		Diesel		15928	370	503	01.03-	*	*
Tourismo 17 RHD (OM 542.966)		Diesel		15928	370	503	01.03-	*	*
<b>O 403 01.95-12.06</b>								<b>Bus</b>	
O 403 SHD (OM 457.944)		Diesel		11967	260	354	09.03-	*	*
O 403 SHD (OM 457.944)		Diesel		11967	310	422	09.03-	*	*
<b>O 500 TOURO (O 500) 01.96-</b>								<b>Bus</b>	
O 500 M (OM 906.918)		Diesel		6374	180	245	01.01-	*	*
O 500 M (OM 906.975)		Diesel		6374	180	245	01.01-	*	*
O 500 M (OM 906.983)		Diesel		6374	180	245	01.01-	*	*
O 500 M (OM 906.988)		Diesel		6374	180	245	01.01-	*	*
O 500 U (OM 926.926)		Diesel		7201	225	306	01.01-	*	*
O 500 R (OM 926.910)		Diesel		7201	240	326	01.01-	*	*
Touro (OM 457.944)		Diesel		11967	260	354	10.01-	*	
O 500 GL, GLE (OM 457.915)		Diesel		11967	265	360	01.01-	*	*
O 500 RSD (OM 457.916)		Diesel		11967	265	360	01.01-	*	*
O 500 RSD (OM 457.932)		Diesel		11967	265	360	01.01-	*	*
O 500 RSD (OM 457.927)		Diesel		11967	295	401	01.01-	*	*
Touro (OM 457.944)		Diesel		11967	310	422	10.01-	*	
<b>O 520 CITO (O 520) 09.98-</b>								<b>Bus</b>	
130 kW (OM 904.942)		Diesel		4249	130	177	06.99-	*	*
<b>O 530 CITARO (O 530) 01.98-</b>								<b>Bus</b>	
Citaro N (OM 906.931)		Diesel		6374	170	231	01.98-	*	*
Citaro N (OM 909.900)		Diesel		6374	170	231	01.98-	*	*
Citaro N (OM 909.911)		Diesel		6374	170	231	01.98-	*	*
Citaro N (OM 906.962)		Diesel		6374	180	245	04.99-	*	*

# LISTA DE APLICACIONES - BUYERS GUIDE

Citaro N (OM 906.963)		Diesel		6374	180	245	04.99-	*	*
Citaro G		Diesel		6374	185	252	01.98-	*	*
Citaro G (OM 906.930)		Diesel		6374	205	279	01.99-	*	*
Citaro G (OM 906.960)		Diesel		6374	205	279	01.99-	*	*
Citaro G (OM 906.961)		Diesel		6374	205	279	01.99-	*	*
Citaro G (OM 909.901)		Diesel		6374	205	279	01.99-	*	*
Citaro G (OM 909.921)		Diesel		6374	205	279	01.99-	*	*
Citaro N (OM 906.930)		Diesel		6374	205	279	01.98-	*	*
Citaro N (OM 906.960)		Diesel		6374	205	279	01.98-	*	*
Citaro N (OM 906.961)		Diesel		6374	205	279	01.98-	*	*
Citaro N (OM 909.901)		Diesel		6374	205	279	01.98-	*	*
Citaro N (OM 909.921)		Diesel		6374	205	279	01.98-	*	*
Citaro N (OM 906.930)		Diesel		6374	205	279	01.99-	*	*
Citaro N (OM 906.960)		Diesel		6374	205	279	01.99-	*	*
Citaro N (OM 909.901)		Diesel		6374	205	279	01.99-	*	*
Citaro N (OM 909.921)		Diesel		6374	205	279	01.99-	*	*
Citaro, Citaro MUE (OM 902.926)		Diesel		6374	210	286	01.98-	*	*
Citaro, Citaro MUE (OM 902.934)		Diesel		6374	210	286	01.98-	*	*
Citaro N (OM 457.942)		Diesel		11967	185	252	01.98-	*	*
Citaro N, Citaro MUE (OM 457.934)		Diesel		11967	220	299	01.98-	*	*
Citaro N, Citaro MUE (OM 457.942)		Diesel		11967	220	299	01.98-	*	*
Citaro N, Citaro MUE (OM 457.949)		Diesel		11967	220	299	01.98-	*	*
Citaro N, Citaro MUE (OM 457.950)		Diesel		11967	220	299	01.98-	*	*
Citaro N, Citaro MUE (OM 457.959)		Diesel		11967	220	299	01.98-	*	*
Citaro N, Citaro MUE (OM 457.973)		Diesel		11967	220	299	01.98-	*	*
Citaro N, Citaro MUE (OM 457.942)		Diesel		11967	260	354	01.98-	*	*
Citaro N, Citaro MUE (OM 457.950)		Diesel		11967	260	354	01.98-	*	*
Citaro N, Citaro MUE (OM 457.951)		Diesel		11967	260	354	01.98-	*	*
Citaro N, Citaro MUE (OM 457.957)		Diesel		11967	260	354	01.98-	*	*
Citaro N, Citaro MUE (OM 457.959)		Diesel		11967	260	354	01.98-	*	*
Citaro N, Citaro MUE (OM 457.973)		Diesel		11967	260	354	01.98-	*	*
<b>O 530 CITARO (O 530) 01.98-</b>								<b>Bus</b>	
Citaro NG (M 476.932)		Gasolina		11967	185	252	06.00-	*	*
Citaro NG (M 476.933)		Gasolina		11967	185	252	06.00-	*	*
Citaro NG (M 476.934)		Gasolina		11967	185	252	06.00-	*	*
Citaro GNG (M 476.930)		Gasolina		11967	240	326	04.00-	*	*
Citaro NG (M 476.930)		Gasolina		11967	240	326	04.00-	*	*
Citaro NG (M 476.933)		Gasolina		11967	240	326	04.00-	*	*
Citaro NG (M 476.934)		Gasolina		11967	240	326	04.00-	*	*
<b>O 530 CITARO (O 530) 01.98-</b>								<b>Bus</b>	
Citaro BZ		Mixto		0	225	306	01.02-	*	*
<b>O 550 INTEGRO (O 550) 09.96-</b>								<b>Bus</b>	
Integro L (OM 926.939)		Diesel		7201	210	286	01.06-	*	*
Integro, Integro M (OM 457.952)		Diesel		11967	220	299	01.06-	*	*
Integro, Integro M (OM 457.964)		Diesel		11967	220	299	01.06-	*	*
Integro L (OM 457.952)		Diesel		11967	220	300	01.06-	*	*
Integro L (OM 457.965)		Diesel		11967	220	300	01.06-	*	*
Integro, Integro M (OM 457.952)		Diesel		11967	260	354	01.06-	*	*
Integro, Integro M (OM 457.965)		Diesel		11967	260	354	01.06-	*	*
Integro L (OM 457.952)		Diesel		11967	260	354	01.06-	*	*

# LISTA DE APLICACIONES - BUYERS GUIDE

Integro L (OM 457.952)	Diesel		11967	300	408	01.06-	*	*	
<b>O 580 TRAVEGO (O 580) 10.99-</b>							<b>Bus</b>		
O 580-15 RH (OM 457.941)	Diesel		11967	185	252	10.99-	*		
O 580-15 RH/RHD (OM 457.940)	Diesel		11967	260	354	10.99-	*	*	
O 580-15 RH/RHD (OM 457.944)	Diesel		11967	260	354	10.99-	*	*	
O 580-15 RH/RHD (OM 457.953)	Diesel		11967	260	354	10.99-	*	*	
O 580-15 RH/RHD (OM 457.961)	Diesel		11967	260	354	10.99-	*	*	
O 580-15 SHD (OM 457.944)	Diesel		11967	260	354	10.99-	*		
O 580-15 SHD (OM 457.953)	Diesel		11967	260	354	10.99-	*		
O 580-15 SHD (OM 457.961)	Diesel		11967	260	354	10.99-	*		
O 580-16 RHD (OM 457.944)	Diesel		11967	260	354	01.03-	*	*	
O 580-16 RHD (OM 457.953)	Diesel		11967	260	354	01.03-	*	*	
O 580-16 RHD (OM 457.961)	Diesel		11967	260	354	01.03-	*	*	
O 580-15 RH/RHD (OM 457.936)	Diesel		11967	300	408	10.99-	*	*	
O 580-15 RH/RHD (OM 457.938)	Diesel		11967	300	408	10.99-	*	*	
O 580-15 RHD (OM 457.944)	Diesel		11967	310	422	10.99-	*	*	
O 580-15 RHD (OM 457.953)	Diesel		11967	310	422	10.99-	*	*	
O 580-16 RHD, O 580-17 RHD (OM 457.944)	Diesel		11967	310	422	10.99-	*	*	
O 580-15 RHD (OM 457.961)	Diesel		11967	335	456	10.99-	*		
O 580-16 RHD (OM 457.961)	Diesel		11967	335	456	10.99-	*		
O 580-15 RH (OM 542.948)	Diesel		15928	320	435	10.99-	*		
O 580-16 RHD (OM 542.948)	Diesel		15928	320	435	10.99-	*	*	
O 580-17 RHD (OM 542.948)	Diesel		15928	320	435	10.99-	*	*	
O 580-15 RH (OM 942.900)	Diesel		15928	350	476	10.99-	*		
O 580-15 RH (OM 942.911)	Diesel		15928	350	476	10.99-	*		
O 580-16 RHD (OM 542.966)	Diesel		15928	350	476	10.99-	*		
O 580-17 RHD (OM 542.948)	Diesel		15928	350	476	10.99-	*	*	
O 580-17 RHD (OM 542.966)	Diesel		15928	350	476	10.99-	*	*	
O 580-16 RHD (OM 542.966)	Diesel		15928	370	503	01.03-	*		
<b>OF 01.83-</b>									
1113 (OM 384.906)	Diesel		3972	100	137	01.83-	*	*	
1113 (OM 344.949)	Diesel		5675	96	131	01.83-	*	*	
1113 (OM 352.997)	Diesel		5675	96	131	01.83-	*	*	
1113 (OM 352.998)	Diesel		5675	96	131	01.83-	*	*	
1313, 1314 (OM 352.997)	Diesel		5675	96	131	01.83-	*	*	
1413 (OM 352.997)	Diesel		5675	96	131	01.83-	*	*	
1117 (OM 386.952)	Diesel		5958	125	170	01.83-	*	*	
1317 (OM 327.919)	Diesel		7980	125	170	01.83-	*	*	
1417 (OM 327.940)	Diesel		7980	125	170	01.83-	*	*	
1317 (OM 360.937)	Diesel		8720	125	170	01.83-	*	*	
1317 (OM 360.951)	Diesel		8720	125	170	01.83-	*	*	
1417 (OM 360.938)	Diesel		8720	125	170	01.83-	*	*	
1417 (OM 360.952)	Diesel		8720	125	170	01.83-	*	*	
1617 (OM 360.938)	Diesel		8720	125	170	01.83-	*	*	
1617 (OM 360.962)	Diesel		8720	125	170	01.83-	*	*	
1617 (OM 360.983)	Diesel		8720	125	170	01.83-	*	*	
1621 (OM 360.982)	Diesel		8720	154	210	01.83-	*	*	
<b>OH 01.70-</b>									
1518 (OM 904.973)	Diesel		4249	130	177	01.70-	*	*	
1518, 1519 (OM 924.988)	Diesel		4801	142	193	05.99-	*	*	

# LISTA DE APLICACIONES - BUYERS GUIDE

1521 (OM 924.913)		Diesel		4801	160	218	05.07-	*	*
1316 (OM 344.948)		Diesel		5675	115	156	01.70-	*	*
1525 (OM 906.918)		Diesel		6374	180	245	01.70-	*	*
1526 (OM 926.996)		Diesel		7201	188	256	05.07-	*	*
<b>SK-Class 07.87-09.96</b>								<b>Cabeza tractora</b>	
2648S (OM 442.983)		Diesel		14618	329	447	12.88-07.92	*	*
2648S (OM 442.985)		Diesel		14618	353	480	12.88-07.92	*	*
2648S (OM 442.989)		Diesel		14618	353	480	12.88-07.92	*	*
2648S (OM 442.992)		Diesel		14618	353	480	12.88-07.92	*	*
2648S (OM 442.994)		Diesel		14618	353	480	12.88-07.92	*	*
2650S (OM 440.971)		Diesel		14618	370	503	07.92-09.96	*	*
2650S (OM 440.973)		Diesel		14618	370	503	07.92-09.96	*	*
2650S (OM 442.997)		Diesel		14618	370	503	07.92-09.96	*	*
<b>SK-Class 07.87-09.96</b>								<b>Caja/Chasis</b>	
2638, 2638 L (OM 402.971)		Diesel		12763	280	381	09.91-09.96	*	*
2638, 2638 L (OM 402.972)		Diesel		12763	280	381	09.91-09.96	*	*
2638, 2638 L (OM 402.975)		Diesel		12763	280	381	09.91-09.96	*	*
2638, 2638 L (OM 402.985)		Diesel		12763	280	381	09.91-09.96	*	*
2638, 2638 L (OM 402.986)		Diesel		12763	280	381	09.91-09.96	*	*
2435,2435 L (OM 442.943)		Diesel		14618	260	354	07.87-09.96	*	*
2435,2435 L (OM 442.944)		Diesel		14618	260	354	07.87-09.96	*	*
2435,2435 L (OM 442.963)		Diesel		14618	260	354	07.87-09.96	*	*
2435,2435 L (OM 442.964)		Diesel		14618	260	354	07.87-09.96	*	*
2435,2435 L (OM 442.965)		Diesel		14618	260	354	07.87-09.96	*	*
2435,2435 L (OM 442.968)		Diesel		14618	260	354	07.87-09.96	*	*
2435,2435 L (OM 442.976)		Diesel		14618	260	354	07.87-09.96	*	*
2638, 2638 L (OM 440.990)		Diesel		14618	280	381	09.91-09.96	*	*
2638, 2638 L (OM 446.924)		Diesel		14618	280	381	09.91-09.96	*	*
2638, 2638 L (OM 446.925)		Diesel		14618	280	381	09.91-09.96	*	*
2638, 2638 L (OM 446.926)		Diesel		14618	280	381	09.91-09.96	*	*
2644, 2644 L (OM 440.970)		Diesel		14618	320	435	01.92-09.96	*	*
2644, 2644 L (OM 440.978)		Diesel		14618	320	435	01.92-09.96	*	*
2644, 2644 L (OM 446.922)		Diesel		14618	320	435	01.92-09.96	*	*
2650, 2650 L (OM 440.973)		Diesel		14618	362	492	07.92-09.96	*	*
2650, 2650 L (OM 440.981)		Diesel		14618	362	492	07.92-09.96	*	*
2650, 2650 L (OM 442.989)		Diesel		14618	362	492	07.92-09.96	*	*
2650, 2650 L (OM 442.997)		Diesel		14618	362	492	07.92-09.96	*	*
3550 (OM 440.975)		Diesel		14618	362	492	05.92-09.96	*	*
3550 (OM 440.976)		Diesel		14618	362	492	05.92-09.96	*	*
3550 (OM 442.993)		Diesel		14618	362	492	05.92-09.96	*	*
3550 (OM 442.997)		Diesel		14618	362	492	05.92-09.96	*	*
2653, 2653 L (OM 446.920)		Diesel		14618	390	530	09.95-09.96	*	*
3553, 3553 L (OM 446.920)		Diesel		14618	390	530	01.94-09.96	*	*
<b>SK-Class 07.87-09.96</b>								<b>Camión volquete</b>	
2638K (OM 402.971)		Diesel		12763	280	381	09.91-09.96	*	*
2638K (OM 402.972)		Diesel		12763	280	381	09.91-09.96	*	*
2638K (OM 402.975)		Diesel		12763	280	381	09.91-09.96	*	*
2638K (OM 402.985)		Diesel		12763	280	381	09.91-09.96	*	*
2638K (OM 402.986)		Diesel		12763	280	381	09.91-09.96	*	*
3538AK (OM 402.973)		Diesel		12763	280	381	03.91-09.96	*	*

# LISTA DE APLICACIONES - BUYERS GUIDE

3538AK (OM 402.978)		Diesel		12763	280	381	03.91-09.96	*	*
3538AK (OM 402.982)		Diesel		12763	280	381	03.91-09.96	*	*
3538AK (OM 402.983)		Diesel		12763	280	381	03.91-09.96	*	*
3538AK (OM 402.987)		Diesel		12763	280	381	03.91-09.96	*	*
3538K (OM 402.973)		Diesel		12763	280	381	03.91-09.96	*	*
3538K (OM 402.978)		Diesel		12763	280	381	03.91-09.96	*	*
3538K (OM 402.982)		Diesel		12763	280	381	03.91-09.96	*	*
3538K (OM 402.983)		Diesel		12763	280	381	03.91-09.96	*	*
3538K (OM 402.987)		Diesel		12763	280	381	03.91-09.96	*	*
2638K (OM 440.990)		Diesel		14618	280	381	09.91-09.96	*	*
2638K (OM 446.924)		Diesel		14618	280	381	09.91-09.96	*	*
2638K (OM 446.925)		Diesel		14618	280	381	09.91-09.96	*	*
2638K (OM 446.926)		Diesel		14618	280	381	09.91-09.96	*	*
3538AK (OM 446.926)		Diesel		14618	280	381	01.94-09.96	*	*
3538AK (OM 446.930)		Diesel		14618	280	381	01.94-09.96	*	*
3538AK (OM 446.931)		Diesel		14618	280	381	01.94-09.96	*	*
3538K (OM 446.926)		Diesel		14618	280	381	01.94-09.96	*	*
3538K (OM 446.930)		Diesel		14618	280	381	01.94-09.96	*	*
<b>T2/L 01.59-12.95</b>							<b>Caja/Chasis</b>		
LA 911 (OM 352.990)		Diesel		5675	81	110	01.72-12.95	*	
LA 911 (OM 353.911)		Diesel		5675	124	168	01.72-12.95	*	
<b>TE</b>							<b>Eje remolque</b>		
TE5/1C7-9							01.53-	*	
TE5/2C7-9							01.53-	*	
TE5/3C7-9							01.53-	*	
TE5/4C7-10,5							01.53-	*	
TE5/5C7-9							01.53-	*	
TE5/6C7-9							01.53-	*	
TE5/8C7-9							01.53-	*	
<b>TL</b>							<b>Eje remolque</b>		
TL5/1C7-9							01.53-	*	
<b>TZ</b>							<b>Eje remolque</b>		
TZ5/2C7-10,5							01.53-	*	
TZ5/8C7-9							01.53-	*	
<b>UNIMOG 01.55-</b>							<b>Caja/Chasis</b>		
U 5000 (OM 924.923)		Diesel		4801	160	218	01.12-	*	
<b>VL</b>							<b>Eje máquina tractora</b>		
VL3/35DC-5							01.53-	*	
VL4/39DC-7,1							01.53-	*	
VL4/51DC-7,5							01.53-	*	
VL5/NR-9							01.53-	*	
<b>VO</b>							<b>Eje máquina tractora</b>		
VO4/36CL-7							01.53-	*	
VO4/37CL-7							01.53-	*	
VO4/38CL-7,5							01.53-	*	
VO4/39CL-7,5							01.53-	*	
VO4/40DCL-7,1							01.53-	*	

**SCANIA**

# LISTA DE APLICACIONES - BUYERS GUIDE

<b>06.04-05.19</b>					<b>Cabeza tractora</b>				
R470 (DT 12.03)		Diesel		11705	345	470	03.04-05.19	*	*
R470 (DT 12.06)		Diesel		11705	345	470	03.04-05.19	*	*
S410 (DC 13.115)		Diesel		12742	302	409	09.16-	*	*
S450 (DC 13.124)		Diesel		12742	331	450	09.16-	*	*
R480 (DC 13.07)		Diesel		12742	353	480	10.10-05.19	*	*
S500		Diesel		12742	368	500	10.20-	*	*
P550 (DC 13.119)		Diesel		12742	404	549	01.12-05.19	*	*
R500 (DC 16.04)		Diesel		15607	368	500	03.04-05.19	*	*
R500 (DC 16.04)		Diesel		15607	368	500	04.04-05.19	*	*
R500 (DC 16.19)		Diesel		15607	368	500	03.09-05.19	*	*
R560 (DC 16.05)		Diesel		15607	412	560	09.06-05.19	*	*
R560 (DC 16.05)		Diesel		15607	412	560	04.04-05.19	*	*
R560 (DC 16.18)		Diesel		15607	412	560	03.09-05.19	*	*
R620 (DC 16.08)		Diesel		15607	456	620	10.04-05.19	*	*
R620 (DC 16.17)		Diesel		15607	456	620	03.09-05.19	*	*
R620 (DC 16.17)		Diesel		15607	456	620	11.06-05.19	*	*
R620		Diesel		15607	456	620	09.05-05.19	*	*
S520 (DC 16.101)		Diesel		16353	382	520	09.16-	*	*
R580 (DC 16.102)		Diesel		16353	426	579	09.13-05.19	*	*
R580 (DC 16.102)		Diesel		16353	426	579	09.13-05.19	*	*
R580 (DC 16.102)		Diesel		16353	426	579	09.13-05.19	*	*
S580 (DC 16.102)		Diesel		16353	427	579	09.16-	*	*
R730 (DC 16.21)		Diesel		16353	537	730	10.10-05.19	*	*
R730		Diesel		16353	537	730	10.10-05.19	*	*
R730		Diesel		16353	537	730	10.10-05.19	*	*
R730		Diesel		16353	537	730	10.10-05.19	*	*
R730		Diesel		16353	537	730	10.10-05.19	*	*
S730 (DC 16.103)		Diesel		16353	537	730	09.16-	*	*
<b>06.04-05.19</b>					<b>Caja/Chasis</b>				
R470		Diesel		11705	345	469	03.04-05.19	*	*
R480 (DT 12.17)		Diesel		11705	353	480	04.10-05.19	*	*
G480		Diesel		12742	353	480	01.12-05.19	*	*
R480 (DC 13.07)		Diesel		12742	353	480	07.04-05.19	*	*
R480 (DC 13.07)		Diesel		12742	353	480	07.04-05.19	*	*
P550 (DC 13.119)		Diesel		12742	404	549	01.12-05.19	*	*
R500 (DC 16.04)		Diesel		15607	368	500	03.04-05.19	*	*
R500 (DC 16.04)		Diesel		15607	368	500	04.04-05.19	*	*
R500 (DC 16.19)		Diesel		15607	368	500	03.09-05.19	*	*
R560 (DC 16.05)		Diesel		15607	412	560	09.06-05.19	*	*
R560 (DC 16.05)		Diesel		15607	412	560	09.06-05.19	*	*
R560 (DC 16.18)		Diesel		15607	412	560	03.09-05.19	*	*
R560		Diesel		15607	412	560	09.04-05.19	*	*
R620 (DC 16.08)		Diesel		15607	456	620	10.04-05.19	*	*
R620 (DC 16.08)		Diesel		15607	456	620	03.09-05.19	*	*
R620 (DC 16.17)		Diesel		15607	456	620	03.09-05.19	*	*
R620 (DC 16.17)		Diesel		15607	456	620	11.06-05.19	*	*
R620 (DC 16.17)		Diesel		15607	456	620	11.06-05.19	*	*
R520 (DC 16.101)		Diesel		16353	382	520	07.13-05.19	*	*
R520		Diesel		16353	382	520	07.13-05.19	*	*
R580 (DC 16.102)		Diesel		16353	426	579	09.13-05.19	*	*

# LISTA DE APLICACIONES - BUYERS GUIDE

R580 (DC 16.102)		Diesel		16353	426	579	09.13-05.19	*	*	
R580 (DC 16.102)		Diesel		16353	426	579	01.14-05.19	*	*	
R730 (DC 16.21)		Diesel		16353	537	730	04.10-05.19	*	*	
R730 (DC 16.21)		Diesel		16353	537	730	10.10-05.19	*	*	
R730		Diesel		16353	537	730	10.10-05.19	*	*	
R730		Diesel		16353	537	730	10.10-05.19	*	*	
R730		Diesel		16353	537	730	04.10-05.19	*	*	
<b>06.04-05.19</b>							<b>Camión volquete</b>			
G470 (DT 12.06)		Diesel		11705	345	470	01.10-05.19	*	*	
G470 (DT 12.06)		Diesel		11705	345	470	01.10-05.19	*	*	
R480		Diesel		12742	353	480	10.10-05.19	*	*	
P550 (DC 13.119)		Diesel		12742	404	549	01.12-05.19	*	*	
R500 (DC 16.04)		Diesel		15607	368	500	01.08-05.19	*	*	
R500 (DC 16.04)		Diesel		15607	368	500	01.08-05.19	*	*	
R620 (DC 16.17)		Diesel		15607	456	620	11.06-05.19	*	*	
R620 (DC 16.17)		Diesel		15607	456	620	11.06-05.19	*	*	
R520		Diesel		16353	382	520	07.13-05.19	*	*	
R580 (DC 16.102)		Diesel		16353	426	579	09.13-05.19	*	*	
R580 (DC 16.102)		Diesel		16353	426	579	09.13-05.19	*	*	
R580 (DC 16.102)		Diesel		16353	426	579	09.13-05.19	*	*	
R580 (DC 16.102)		Diesel		16353	426	579	01.14-05.19	*	*	
R730 (DC 16.21)		Diesel		16353	537	730	10.10-05.19	*	*	
R730		Diesel		16353	537	730	04.10-05.19	*	*	
<b>4 Series 05.95-</b>							<b>Cabeza tractora</b>			
94 G/300 (DC 9.21)		Diesel		8867	198	269	01.04-04.08	*	*	
114 L/340 (DSC 11.07)		Diesel		11020	250	340	05.96-04.08	*	*	
114 L/340 (DSC 11.79)		Diesel		11020	250	340	05.96-04.08	*	*	
114 L/340		Diesel		11020	250	340	05.96-04.08	*	*	
T 114 C/340 (DSC 11.79)		Diesel		11020	250	340	05.96-04.08	*	*	
T 114 C/340 (DSC 11.79)		Diesel		11020	250	340	05.96-04.08	*	*	
T 114 G/340 (DSC 11.79)		Diesel		11020	250	340	05.96-04.08	*	*	
T 114 L/340 (DSC 11.79)		Diesel		11020	250	340	05.96-04.08	*	*	
124 L/360		Diesel		11705	265	360	09.96-04.08	*	*	
T 124 G/360 (DSC 12.02)		Diesel		11705	265	360	03.98-12.05	*	*	
114 L/380 (DC 12.07)		Diesel		11705	279	380	01.05-04.08	*	*	
114 G/380 (DC 12.07)		Diesel		11705	280	381	01.05-04.08	*	*	
114 L/380 (DC 12.07)		Diesel		11705	280	381	03.98-04.08	*	*	
124 L/400		Diesel		11705	294	400	09.96-04.08	*	*	
124 L/420		Diesel		11705	308	420	09.97-04.08	*	*	
124 L/440		Diesel		11705	324	440	01.01-04.08	*	*	
124 L/470		Diesel		11705	345	470	01.01-04.08	*	*	
164 L/480		Diesel		15607	353	480	05.00-04.08	*	*	
164 L/580 (DC 16.01)		Diesel		15607	426	580	05.00-04.08	*	*	
164 L/580		Diesel		15607	426	580	05.00-04.08	*	*	
<b>4 Series 05.95-</b>							<b>Caja/Chasis</b>			
94 C/310 (DC 9.21)		Diesel		8867	228	310	01.05-04.08	*	*	
94 D/220		Diesel		8974	162	220	08.96-04.08	*	*	
94 G/220		Diesel		8974	162	220	01.98-04.08	*	*	
94 D/230		Diesel		8974	169	230	08.99-04.08	*	*	
94 D/260		Diesel		8974	191	260	08.96-04.08	*	*	

# LISTA DE APLICACIONES - BUYERS GUIDE

94 G/260		Diesel		8974	191	260	01.98-04.08	*	*
114 G/320 (DC 11.07)		Diesel		10640	237	322	01.01-04.08	*	*
114 G/380		Diesel		10640	280	381	03.98-04.08	*	*
114 G/380		Diesel		10640	280	381	03.98-04.08	*	*
114 L/380		Diesel		10640	280	381	03.98-04.08	*	*
114 G/330 (DSC 11.06)		Diesel		11020	229	311	01.04-04.08	*	*
114 C/340 (DSC 11.07)		Diesel		11020	250	340	05.96-04.08	*	*
114 C/340 (DSC 11.79)		Diesel		11020	250	340	05.96-04.08	*	*
114 G/340 (DSC 11.79)		Diesel		11020	250	340	05.96-04.08	*	*
114 G/340 (DSC 11.79)		Diesel		11020	250	340	05.96-04.08	*	*
114 G/340 (DSC 11.79)		Diesel		11020	250	340	05.96-04.08	*	*
114 G/340 (DSC 11.79)		Diesel		11020	250	340	05.96-04.08	*	*
114 G/340 (DSC 11.79)		Diesel		11020	250	340	05.96-04.08	*	*
114 L/340 (DSC 11.79)		Diesel		11020	250	340	05.96-04.08	*	*
114 L/340 (DSC 11.79)		Diesel		11020	250	340	05.96-04.08	*	*
T 114 C/340 (DSC 11.79)		Diesel		11020	250	340	05.96-04.08	*	*
114 C/360		Diesel		11705	265	360	01.00-04.08	*	*
124 G/360		Diesel		11705	265	360	05.96-04.08	*	*
124 L/360		Diesel		11705	265	360	09.96-04.08	*	*
124 G/400		Diesel		11705	294	400	05.96-04.08	*	*
124 G/400		Diesel		11705	294	400	05.96-04.08	*	*
124 L/400		Diesel		11705	294	400	09.96-04.08	*	*
124 L/440		Diesel		11705	324	440	01.01-04.08	*	*
124 L/470		Diesel		11705	345	470	01.01-04.08	*	*
144 G/460		Diesel		14190	338	460	04.96-04.08	*	*
144 L/460		Diesel		14190	338	460	11.95-04.08	*	*
144 G/530		Diesel		14190	390	530	04.96-04.08	*	*
144 L/530		Diesel		14190	390	530	10.95-04.08	*	*
<b>4 Series 05.95-</b>				<b>Camión volquete</b>					
114 C/340 (DSC 11.79)		Diesel		11020	250	340	05.96-04.08	*	*
T 114 C/340 (DSC 11.79)		Diesel		11020	250	340	03.98-04.08	*	*
<b>4 Series 05.95-</b>				<b>Hormigonera</b>					
114 C/340 (DSC 11.79)		Diesel		11020	250	340	05.96-04.08	*	*
<b>P,G,R,T Series 01.03-</b>				<b>Cabeza tractora</b>					
G 480, R 480 (DC 13.07)		Diesel		12742	353	480	07.04-	*	*
G 480, R 480 (DC 13.07)		Diesel		12742	353	480	08.10-	*	*
G 480, R 480 (DC 13.111)		Diesel		12742	353	480	08.10-	*	*
G 480, R 480 (DC 13.07)		Diesel		12742	353	480	08.10-	*	*
G 480, R 480 (DC 13.110)		Diesel		12742	353	480	08.10-	*	*
G 480, R 480 (DC 13.111)		Diesel		12742	353	480	08.10-	*	*
G 490, R 490 (DC 13.125)		Diesel		12742	360	490	09.13-	*	*
G 490, R 490 (DC 13.125)		Diesel		12742	360	490	09.13-	*	*
G 490, R 490 (DC 13.125)		Diesel		12742	360	490	09.13-	*	*
G 490, R 490 (DC 13.125)		Diesel		12742	360	490	09.13-	*	*
R 580, P 580 (DC 16.03)		Diesel		15600	426	580	07.09-	*	*
<b>P,G,R,T Series 01.03-</b>				<b>Caja/Chasis</b>					
G 480, R 480		Diesel		11716	353	480	01.08-	*	*
P 480, R 480 (DT 12.17)		Diesel		11716	353	480	04.10-	*	*
G 480, R 480 (DC 13.07)		Diesel		12742	353	480	01.10-	*	*
G 480, R 480 (DC 13.110)		Diesel		12742	353	480	01.10-	*	*

# LISTA DE APLICACIONES - BUYERS GUIDE

G 480, R 480 (DC 13.111)	Diesel		12742	353	480	01.10-	*	*	
G 480, R 480 (DC 13.07)	Diesel		12742	353	480	08.10-	*	*	
G 480, R 480 (DC 13.110)	Diesel		12742	353	480	08.10-	*	*	
G 480, R 480 (DC 13.111)	Diesel		12742	353	480	08.10-	*	*	
G 490, R 490 (DC 13.125)	Diesel		12742	360	490	09.13-	*	*	
P 500, R 500 (DC 16.06)	Diesel		15600	368	500	07.09-	*	*	
R 560, P 560 (DC 16.05)	Diesel		15600	412	560	07.09-	*	*	
<b>P,G,R,T Series 01.03-</b>							<b>Camión volquete</b>		
G 450, P 450, R 450 (DC 13.124)	Diesel		12742	331	450	09.13-	*	*	
G 480, R 480 (DC 13.07)	Diesel		12742	353	480	04.04-	*	*	
G 480, R 480 (DC 13.110)	Diesel		12742	353	480	04.04-	*	*	
G 480, R 480 (DC 13.111)	Diesel		12742	353	480	04.04-	*	*	
G 490, R 490 (DC 13.125)	Diesel		12742	360	490	09.13-	*	*	
P 500, R 500 (DC 16.06)	Diesel		15600	368	500	07.09-	*	*	
R 560, P 560 (DC 16.05)	Diesel		15600	412	560	07.09-	*	*	
<b>SOLARIS</b>									
<b>10.98-09.06</b>							<b>Bus</b>		
Urbino 10 (ISBE4 225)	Diesel		6690	165	224	06.02-09.06	*	*	
Urbino 12 (ISBE4 225)	Diesel		6690	165	224	06.02-09.06	*	*	
<b>URBINO 10.06-</b>							<b>Bus</b>		
Urbino 12.9 (ISBE6 250B)	Diesel		6690	187	250	12.13-12.18	*		
Urbino 10 (ISBE6 280B)	Diesel		6690	206	280	01.12-12.18	*		
Urbino 12 (ISBE6 280B)	Diesel		6690	206	280	01.12-12.18	*		
Urbino 12.9 (ISBE6 280B)	Diesel		6690	206	280	12.13-12.18	*		
Urbino 12 (MX-11 210)	Diesel		10837	210	286	01.12-12.18	*		
Urbino 12.9 (MX-11 210)	Diesel		10837	210	286	12.13-12.18	*		
Urbino 12 (MX-11 240)	Diesel		10837	240	326	01.12-12.18	*		
Urbino 12.9 (MX-11 240)	Diesel		10837	240	326	12.13-12.18	*		
Urbino 15 (MX-11 240)	Diesel		10837	240	326	01.12-12.18	*		
Urbino 18 (MX-11 240)	Diesel		10837	240	326	01.12-12.18	*		
Urbino 12 (MX-11 271)	Diesel		10837	271	368	01.12-12.18	*		
Urbino 12.9 (MX-11 271)	Diesel		10837	271	368	12.13-12.18	*		
Urbino 15 (MX-11 271)	Diesel		10837	271	368	01.12-12.18	*		
Urbino 18 (MX-11 271)	Diesel		10837	271	368	01.12-12.18	*		
<b>URBINO 10.06-</b>							<b>Bus</b>		
Urbino 12 CNG (F2B CNG)	Gasolina		7790	200	272	02.08-12.18	*	*	
Urbino 15 CNG (F2B CNG)	Gasolina		7790	200	272	02.08-12.18	*	*	
Urbino 18 CNG (F2B CNG)	Gasolina		7790	220	299	02.08-12.18	*	*	
Urbino 12 (ISL G 320)	Gasolina		8849	239	320	01.12-12.18	*		
Urbino 15 (ISL G 320)	Gasolina		8849	239	320	01.12-12.18	*		
Urbino 18 (ISL G 320)	Gasolina		8849	239	320	01.12-12.18	*		
<b>VOLVO</b>									
<b>B10 01.78-08.11</b>							<b>Bus</b>		
B10 (THD 100 DD)	Diesel		9600	203	276	01.85-12.03	*	*	