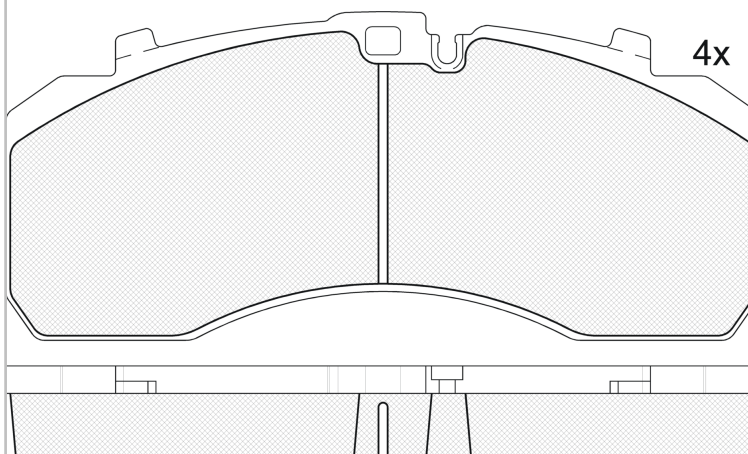


LISTA DE APLICACIONES - BUYERS GUIDE

RB2091-066



Qty: 660 Weight: 10.875



RB2091-066

E 9 90R-02A0178/3584



Knorr SB/SN7 ProTechS

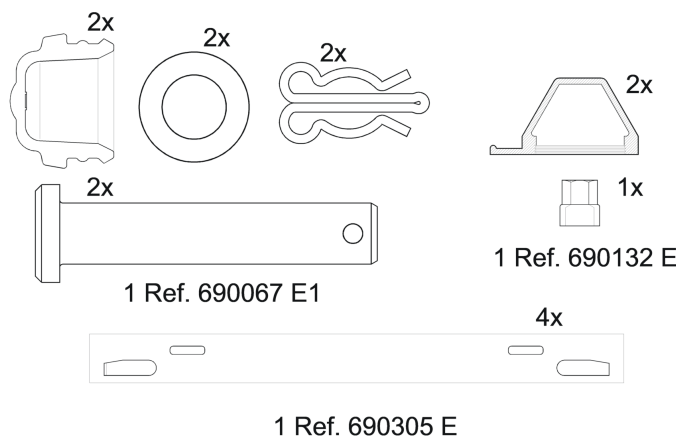
247.3x107.6x30

WVA

29252
29253
29255
29266
29278

Sin Filas

O.E.M.	MAKE
0 305 7007 700	SAF
000 421 18 10	MERCEDES-BENZ
000 423 66 10	MERCEDES-BENZ
002 420 70 20	MERCEDES-BENZ
004 420 22 20	MERCEDES-BENZ
004 420 60 20	MERCEDES-BENZ
006 420 10 20	MERCEDES-BENZ
006 420 11 20	MERCEDES-BENZ
008 420 60 20	MERCEDES-BENZ
0203121400	BPW
0203121700	BPW
180 0830	DAF
187 8030	DAF
196 2265	DAF
1982826	DAF
299 5637	IVECO
299 6378	IVECO
299 6515	IVECO
425 410 62	IVECO
500 05463 2	IVECO
500 05516 7	IVECO
693 420 01 20	MERCEDES-BENZ
81 5082 06070	MAN
82135100	NEOPLAN
K 046 771 K50	BPW



Trac.	CC	Kw	CV
-------	----	----	----



Front / Rear

ALEXANDER DENNIS

ENVIRO500 09.11-

								Bus	
500		Diesel		8849	240	326	09.11-	*	*
500		Diesel		8849	283	379	09.11-	*	*

BERKHOF

Ambassador 07.07-

								Bus	
ALE 106-205, ALE 120-205		(ISBE 205)	Diesel	6690	151	205	07.07-	*	*
ALE 106-225, ALE 120-225		(ISBE 225)	Diesel	6690	165	225	07.07-	*	*

BOVA

Futura 09.84-

								Bus	
FVD 12		Diesel			162	220	09.84-	*	
FVD 12		Diesel			198	270	09.84-	*	
FHD 10		Diesel			213	290	09.84-	*	
FHD 12		Diesel			213	290	09.84-	*	
FHD 10		Diesel			220	300	09.84-	*	
FHD 12		Diesel			265	360	09.84-	*	
FHD 12		Diesel			272	370	09.84-	*	
FLD 15		Diesel			272	370	09.84-	*	*
FHX 15		Diesel			309	420	09.84-	*	*
FHD 15		Diesel			316	430	09.84-	*	*
FLD 104, FLD 120, FLD 127		(PR 228 S)	Diesel	9186	228	310	10.06-09.08	*	
FHD 104, FHD 120, FHD 127, FLD 104, FLD 120, FLD 127		(PR 265 S)	Diesel	9186	265	360	10.06-09.08	*	
FHD 10, FHD 12, FHD 13, FLD 12, FLD 13		(XE 250 C)	Diesel	12580	250	340	09.01-09.06	*	

LISTA DE APLICACIONES - BUYERS GUIDE

FHD 12, FHD 13 (XE 280 C)	Diesel		12580	280	381	09.01-09.06	*	*	
FLD 15 Magnum (XE 280 C)	Diesel		12580	280	381	09.01-09.06	*	*	
FHD 14 Magnum, FLD 15 Magnum (XE 315 C)	Diesel		12580	315	428	09.01-09.06	*	*	
Lexio 09.05-							Bus		
LD 123, LD 130 (PE 228 C)	Diesel		9186	228	310	09.05-	*	*	
LLD 123-310, LLD 130-310 (PR 228 S)	Diesel		9186	228	310	07.07-	*	*	
LD 123, LD 130 (PE 265 C)	Diesel		9186	265	360	09.05-	*	*	
LLD 123-365, LLD 130-365 (PR 265 S)	Diesel		9186	265	360	12.06-	*	*	
Magiq 10.99-							Bus		
HD 120, HD 122 (XE 250 C)	Diesel		12580	250	340	10.99-	*	*	
HD 120, HD 122 (XE 280 C)	Diesel		12580	280	381	10.99-	*	*	
HD 131 Magnum, HD 139 Magnum (XE 315 C)	Diesel		12580	315	428	10.99-	*	*	
MHD 122 (MX 300)	Diesel		12903	300	408	10.06-	*	*	
MHD 131 Magnum, MHD 139 Magnum, MHD 148 Magnum (MX 340)	Diesel		12903	340	462	07.07-	*	*	
Synergy 09.04-							Bus		
DD 130, DD 138 (XE 315 C)	Diesel		12580	315	428	09.04-	*	*	
DD 130, DD 138 (XE 355 C)	Diesel		12580	355	483	09.04-	*	*	
SDD 130, SDD 141 (MX 340)	Diesel		12903	340	462	07.07-	*	*	
SDD 130, SSD 141 (MX 375)	Diesel		12903	375	510	07.07-	*	*	
BYD									
C7 01.18-							Bus		
HP272	Mixto		0	200	272	01.18-	*	*	
EBUS 04.19-							Bus		
8.7M	Mixto		0	180	245	04.19-	*	*	
12m	Mixto		0	300	408	04.19-	*	*	
18m	Mixto		0	300	408	04.19-	*	*	
ECOACH 04.19-							Bus		
13M	Mixto		0	360	489	04.19-	*	*	
DAF									
75 CF 02.98-12.00							Cabeza tractora		
FT 75 CF 250 (PF 183 M)	Diesel		9186	183	249	02.98-12.00	*	*	
FT 75 CF 290 (PF 212 M)	Diesel		9186	212	288	02.98-12.00	*	*	
FT 75 CF 320 (PF 235 M)	Diesel		9186	235	320	02.98-12.00	*	*	
75 CF 02.98-12.00							Caja/Chasis		
FA 75 CF 250 (PF 183 M)	Diesel		9186	183	249	02.98-12.00	*	*	
FAG 75 CF 250,FAN 75 CF 250 (PF 183 M)	Diesel		9186	183	249	02.98-12.00	*	*	
FAR 75 CF 250,FAS 75 CF 250 (PF 183 M)	Diesel		9186	183	249	02.98-12.00	*	*	
FAT 75 CF 250 (PF 183 M)	Diesel		9186	183	249	02.98-12.00	*	*	
FA 75 CF 290 (PF 212 M)	Diesel		9186	212	288	02.98-12.00	*	*	
FAG 75 CF 290,FAN 75 CF 290 (PF 212 M)	Diesel		9186	212	288	02.98-12.00	*	*	
FAR 75 CF 290,FAS 75 CF 290 (PF 212 M)	Diesel		9186	212	288	02.98-12.00	*	*	
FAT 75 CF 290 (PF 212 M)	Diesel		9186	212	288	02.98-12.00	*	*	
FA 75 CF 320 (PF 235 M)	Diesel		9186	235	320	02.98-12.00	*	*	
FAG 75 CF 320,FAN 75 CF 320 (PF 235 M)	Diesel		9186	235	320	02.98-12.00	*	*	
FAR 75 CF 320,FAS 75 CF 320 (PF 235 M)	Diesel		9186	235	320	02.98-12.00	*	*	
FAT 75 CF 320 (PF 235 M)	Diesel		9186	235	320	02.98-12.00	*	*	

LISTA DE APLICACIONES - BUYERS GUIDE

85 CF 02.98-12.00					Cabeza tractora				
FT 85 CF 340 (XF 250 M)		Diesel		12580	250	340	02.98-12.00	*	*
FTG 85 CF 340 (XF 250 M)		Diesel		12580	250	340	02.98-12.00	*	*
FTT 85 CF 340 (XF 250 M)		Diesel		12580	250	340	02.98-12.00	*	*
FT 85 CF 380 (XF 280 M)		Diesel		12580	280	381	02.98-12.00	*	*
FTG 85 CF 380 (XF 280 M)		Diesel		12580	280	381	02.98-12.00	*	*
FTT 85 CF 380		Diesel		12580	280	381	02.98-12.00	*	*
FT 85 CF 430 (XF 315 M)		Diesel		12580	315	428	02.98-12.00	*	*
FTG 85 CF 430 (XF 315 M)		Diesel		12580	315	428	02.98-12.00	*	*
FTT 85 CF 430 (XF 315 M)		Diesel		12580	315	428	02.98-12.00	*	*
85 CF 02.98-12.00					Caja/Chasis				
FA 85 CF 340 (XF 250 M)		Diesel		12580	250	340	02.98-12.00	*	*
FAC 85 CF 340 (XF 250 M)		Diesel		12580	250	340	02.98-12.00	*	*
FAD 85 CF 340 (XF 250 M)		Diesel		12580	250	340	02.98-12.00	*	*
FAG 85 CF 340,FAN 85 CF 340 (XF 250 M)		Diesel		12580	250	340	02.98-12.00	*	*
FAR 85 CF 340 (XF 250 M)		Diesel		12580	250	340	02.98-12.00	*	*
FAS 85 CF 340 (XF 250 M)		Diesel		12580	250	340	02.98-12.00	*	*
FAT 85 CF 340 (XF 250 M)		Diesel		12580	250	340	02.98-12.00	*	*
FA 85 CF 380 (XF 280 M)		Diesel		12580	280	381	02.98-12.00	*	*
FAC 85 CF 380 (XF 280 M)		Diesel		12580	280	381	02.98-12.00	*	*
FAD 85 CF 380 (XF 280 M)		Diesel		12580	280	381	02.98-12.00	*	*
FAG 85 CF 380,FAN 85 CF 380 (XF 280 M)		Diesel		12580	280	381	02.98-12.00	*	*
FAR 85 CF 380 (XF 280 M)		Diesel		12580	280	381	02.98-12.00	*	*
FAS 85 CF 380 (XF 280 M)		Diesel		12580	280	381	02.98-12.00	*	*
FAT 85 CF 380 (XF 280 M)		Diesel		12580	280	381	02.98-12.00	*	*
FA 85 CF 430 (XF 315 M)		Diesel		12580	315	428	02.98-12.00	*	*
FAC 85 CF 430 (XF 315 M)		Diesel		12580	315	428	02.98-12.00	*	*
FAD 85 CF 430 (XF 315 M)		Diesel		12580	315	428	02.98-12.00	*	*
FAG 85 CF 430,FAN 85 CF 430 (XF 315 M)		Diesel		12580	315	428	02.98-12.00	*	*
FAR 85 CF 430 (XF 315 M)		Diesel		12580	315	428	02.98-12.00	*	*
FAS 85 CF 430 (XF 315 M)		Diesel		12580	315	428	02.98-12.00	*	*
FAT 85 CF 430 (XF 315 M)		Diesel		12580	315	428	02.98-12.00	*	*
95 XF 01.97-09.02					Cabeza tractora				
FT 95 XF 380 (XE 280 C)		Diesel		12580	280	381	01.97-09.02	*	*
FT 95 XF 380 (XF 280 M)		Diesel		12580	280	381	01.97-09.02	*	*
FTG 95 XF 380 (XE 280 C)		Diesel		12580	280	381	01.97-09.02	*	*
FTG 95 XF 380 (XF 280 M)		Diesel		12580	280	381	01.97-09.02	*	*
FTR 95 XF 380 (XE 280 C)		Diesel		12580	280	381	01.97-09.02	*	*
FTR 95 XF 380 (XF 280 M)		Diesel		12580	280	381	01.97-09.02	*	*
FTS 95 XF 380 (XE 280 C)		Diesel		12580	280	381	01.97-09.02	*	*
FTS 95 XF 380 (XF 280 M)		Diesel		12580	280	381	01.97-09.02	*	*
FTT 95 XF 380 (XE 280 C)		Diesel		12580	280	381	01.97-09.02	*	*
FTT 95 XF 380 (XF 280 M)		Diesel		12580	280	381	01.97-09.02	*	*
FT 95 XF 430 (XE 315 C)		Diesel		12580	315	428	01.97-09.02	*	*
FT 95 XF 430 (XF 315 M)		Diesel		12580	315	428	01.97-09.02	*	*
FTG 95 XF 430 (XE 315 C)		Diesel		12580	315	428	01.97-09.02	*	*
FTG 95 XF 430 (XF 315 M)		Diesel		12580	315	428	01.97-09.02	*	*
FTP 95 XF 430 (XE 315 C)		Diesel		12580	315	428	01.97-09.02	*	*
FTP 95 XF 430 (XF 315 M)		Diesel		12580	315	428	01.97-09.02	*	*
FTR 95 XF 430 (XE 315 C)		Diesel		12580	315	428	01.97-09.02	*	*

LISTA DE APLICACIONES - BUYERS GUIDE

FTR 95 XF 430 (XF 315 M)		Diesel		12580	315	428	01.97-09.02	*	*
FTS 95 XF 430 (XE 315 C)		Diesel		12580	315	428	01.97-09.02	*	*
FTS 95 XF 430 (XF 315 M)		Diesel		12580	315	428	01.97-09.02	*	*
FTT 95 XF 430 (XE 315 C)		Diesel		12580	315	428	01.97-09.02	*	*
FTT 95 XF 430 (XF 315 M)		Diesel		12580	315	428	01.97-09.02	*	*
FT 95 XF 480 (XE 355 C)		Diesel		12580	355	483	01.97-09.02	*	*
FT 95 XF 480 (XF 355 M)		Diesel		12580	355	483	01.97-09.02	*	*
FTG 95 XF 480 (XE 355 C)		Diesel		12580	355	483	01.97-09.02	*	*
FTG 95 XF 480 (XF 355 M)		Diesel		12580	355	483	01.97-09.02	*	*
FTR 95 XF 480 (XE 355 C)		Diesel		12580	355	483	01.97-09.02	*	*
FTR 95 XF 480 (XF 355 M)		Diesel		12580	355	483	01.97-09.02	*	*
FTS 95 XF 480 (XE 355 C)		Diesel		12580	355	483	01.97-09.02	*	*
FTS 95 XF 480 (XF 355 M)		Diesel		12580	355	483	01.97-09.02	*	*
FTT 95 XF 480 (XE 355 C)		Diesel		12580	355	483	01.97-09.02	*	*
FTT 95 XF 480 (XF 355 M)		Diesel		12580	355	483	01.97-09.02	*	*
FT 95 XF 530 (XE 390 C)		Diesel		12580	390	530	02.01-09.02	*	*
FTG 95 XF 530 (XE 390 C)		Diesel		12580	390	530	01.97-09.02	*	*
FTR 95 XF 530 (XE 390 C)		Diesel		12580	390	530	01.97-09.02	*	*
FTS 95 XF 530 (XE 390 C)		Diesel		12580	390	530	01.97-09.02	*	*
FTT 95 XF 530 (XE 390 C)		Diesel		12580	390	530	01.97-09.02	*	*
FT 95 XF 530 (VF 390 M)		Diesel		14016	390	530	01.97-09.02	*	*
FTG 95 XF 530 (VF 390 M)		Diesel		14016	390	530	01.97-12.01	*	*
FTR 95 XF 530 (VF 390 M)		Diesel		14016	390	530	01.97-09.02	*	*
FTS 95 XF 530 (VF 390 M)		Diesel		14016	390	530	01.97-09.02	*	*
FTT 95 XF 530 (VF 390 M)		Diesel		14016	390	530	01.97-09.02	*	*
95 XF 01.97-09.02									Caja/Chasis
FA 95 XF 380 (XE 280 C)		Diesel		12580	280	381	01.97-09.02	*	*
FA 95 XF 380 (XF 280 M)		Diesel		12580	280	381	01.97-09.02	*	*
FAC 95 XF 380 (XE 280 C)		Diesel		12580	280	381	01.97-09.02	*	*
FAC 95 XF 380 (XF 280 M)		Diesel		12580	280	381	01.97-09.02	*	*
FAD 95 XF 380 (XF 280 M)		Diesel		12580	280	381	01.97-09.02	*	*
FAR 95 XF 380 (XE 280 C)		Diesel		12580	280	381	01.97-09.02	*	*
FAR 95 XF 380 (XF 280 M)		Diesel		12580	280	381	01.97-09.02	*	*
FAS 95 XF 380 (XE 280 C)		Diesel		12580	280	381	01.97-09.02	*	*
FAS 95 XF 380 (XF 280 M)		Diesel		12580	280	381	01.97-09.02	*	*
FAT 95 XF 380 (XE 280 C)		Diesel		12580	280	381	01.97-09.02	*	*
FAT 95 XF 380 (XF 280 M)		Diesel		12580	280	381	01.97-09.02	*	*
FA 95 XF 430 (XE 315 C)		Diesel		12580	315	428	01.97-09.02	*	*
FA 95 XF 430 (XF 315 M)		Diesel		12580	315	428	01.97-09.02	*	*
FAC 95 XF 430 (XE 315 C)		Diesel		12580	315	428	01.97-09.02	*	*
FAC 95 XF 430 (XF 315 M)		Diesel		12580	315	428	01.97-09.02	*	*
FAD 95 XF 430 (XF 315 M)		Diesel		12580	315	428	01.97-09.02	*	*
FAR 95 XF 430 (XE 315 C)		Diesel		12580	315	428	01.97-09.02	*	*
FAR 95 XF 430 (XF 315 M)		Diesel		12580	315	428	01.97-09.02	*	*
FAS 95 XF 430 (XE 315 C)		Diesel		12580	315	428	01.97-09.02	*	*
FAS 95 XF 430 (XF 315 M)		Diesel		12580	315	428	01.97-09.02	*	*
FAT 95 XF 430 (XE 315 C)		Diesel		12580	315	428	01.97-09.02	*	*
FAT 95 XF 430 (XF 315 M)		Diesel		12580	315	428	01.97-09.02	*	*
FA 95 XF 480 (XE 355 C)		Diesel		12580	355	483	01.97-09.02	*	*
FA 95 XF 480 (XF 355 M)		Diesel		12580	355	483	01.97-09.02	*	*
FAC 95 XF 480 (XE 355 C)		Diesel		12580	355	483	01.97-09.02	*	*

LISTA DE APLICACIONES - BUYERS GUIDE

FAC 95 XF 480 (XF 355 M)		Diesel		12580	355	483	01.97-09.02	*	*
FAD 95 XF 480 (XE 355 C)		Diesel		12580	355	483	01.97-09.02	*	*
FAD 95 XF 480 (XF 355 M)		Diesel		12580	355	483	01.97-09.02	*	*
FAR 95 XF 480 (XE 355 C)		Diesel		12580	355	483	01.97-09.02	*	*
FAR 95 XF 480 (XF 355 M)		Diesel		12580	355	483	01.97-09.02	*	*
FAS 95 XF 480 (XE 355 C)		Diesel		12580	355	483	01.97-09.02	*	*
FAS 95 XF 480 (XF 355 M)		Diesel		12580	355	483	01.97-09.02	*	*
FAT 95 XF 480 (XE 355 C)		Diesel		12580	355	483	01.97-09.02	*	*
FAT 95 XF 480 (XF 355 M)		Diesel		12580	355	483	01.97-09.02	*	*
FA 95 XF 530 (XE 390 C)		Diesel		12580	390	530	01.97-09.02	*	*
FAC 95 XF 530 (XE 390 C)		Diesel		12580	390	530	01.97-09.02	*	*
FAD 95 XF 530 (XE 390 C)		Diesel		12580	390	530	01.97-09.02	*	*
FAR 95 XF 530 (XE 390 C)		Diesel		12580	390	530	01.97-09.02	*	*
FAS 95 XF 530 (XE 390 C)		Diesel		12580	390	530	01.97-09.02	*	*
FAT 95 XF 530 (XE 390 C)		Diesel		12580	390	530	01.97-09.02	*	*
FA 95 XF 530 (VF 390 M)		Diesel		14016	390	530	01.97-09.02	*	*
FAC 95 XF 530 (VF 390 M)		Diesel		14016	390	530	01.97-09.02	*	*
FAD 95 XF 530 (VF 390 M)		Diesel		14016	390	530	01.97-09.02	*	*
FAR 95 XF 530 (VF 390 M)		Diesel		14016	390	530	01.97-09.02	*	*
FAS 95 XF 530 (VF 390 M)		Diesel		14016	390	530	01.97-09.02	*	*
FAT 95 XF 530 (VF 390 M)		Diesel		14016	390	530	01.97-09.02	*	*
CF 05.13-							Cabeza tractora		
FT 450 HYBRID		Bicombu stible		10837	330	449	01.19-	*	*
CF 05.13-							Cabeza tractora		
FT 290 (MX-11 210)		Diesel		10837	210	286	05.13-	*	*
FT 300		Diesel		10837	220	299	05.17-	*	*
FT 330 (MX-11 240)		Diesel		10837	240	326	05.13-	*	*
FT 340		Diesel		10837	251	341	05.17-	*	*
FT 370		Diesel		10837	270	367	05.17-	*	*
FTT 370		Diesel		10837	270	367	05.17-	*	*
FT 370 (MX-11 271)		Diesel		10837	271	370	05.13-	*	*
FT 400 (MX-11 291)		Diesel		10837	291	396	05.13-	*	*
FT 400 (MX-11 291)		Diesel		10837	291	396	05.13-	*	*
FTG 400 (MX-11 291)		Diesel		10837	291	396	05.13-	*	*
FTP 400 (MX-11 291)		Diesel		10837	291	396	05.13-	*	*
FTT 400 (MX-11 291)		Diesel		10837	291	396	05.13-	*	*
FT 410		Diesel		10837	300	408	10.17-	*	*
FTG 410		Diesel		10837	300	408	10.17-	*	*
FTN 410		Diesel		10837	300	408	10.17-	*	*
FTT 410		Diesel		10837	300	408	10.17-	*	*
FT 440 (MX-11 320)		Diesel		10837	320	435	05.13-	*	*
FT 440 (MX-11 320)		Diesel		10837	320	435	05.13-	*	*
FTG 440 (MX-11 320)		Diesel		10837	320	435	05.13-	*	*
FTP 440 (MX-11 320)		Diesel		10837	320	435	05.13-	*	*
FTT 440 (MX-11 320)		Diesel		10837	320	435	05.13-	*	*
FT 450		Diesel		10837	330	449	05.17-	*	*
FTG 450		Diesel		10837	330	449	05.17-	*	*
FTN 450		Diesel		10837	330	449	05.17-	*	*
FTT 450		Diesel		10837	330	449	05.17-	*	*
FT 410 (MX-13 303)		Diesel		12903	303	412	05.13-	*	*

LISTA DE APLICACIONES - BUYERS GUIDE

FT 410 (MX-13 303)		Diesel		12903	303	412	05.13-	*	*
FTG 410 (MX-13 303)		Diesel		12903	303	412	05.13-	*	*
FTP 410 (MX-13 303)		Diesel		12903	303	412	05.13-	*	*
FTR 410 (MX-13 303)		Diesel		12903	303	412	05.13-	*	*
FTS 410 (MX-13 303)		Diesel		12903	303	412	05.13-	*	*
FTT 410 (MX-13 303)		Diesel		12903	303	412	05.13-	*	*
FT 430		Diesel		12903	315	428	10.17-	*	*
FTG 430		Diesel		12903	315	428	05.17-	*	*
FTN 430		Diesel		12903	315	428	05.17-	*	*
FTT 430		Diesel		12903	315	428	05.17-	*	*
FT 460 (MX-13 340)		Diesel		12903	340	462	05.13-	*	*
FT 460 (MX-13 340)		Diesel		12903	340	462	05.13-	*	*
FTG 460 (MX-13 340)		Diesel		12903	340	462	05.13-	*	*
FTP 460 (MX-13 340)		Diesel		12903	340	462	05.13-	*	*
FTR 460 (MX-13 340)		Diesel		12903	340	462	05.13-	*	*
FTS 460 (MX-13 340)		Diesel		12903	340	462	05.13-	*	*
FTT 460 (MX-13 340)		Diesel		12903	340	462	05.13-	*	*
FT 480		Diesel		12903	355	483	05.17-	*	*
FTG 480		Diesel		12903	355	483	05.17-	*	*
FTN 480		Diesel		12903	355	483	05.17-	*	*
FTT 480		Diesel		12903	355	483	05.17-	*	*
FT 510 (MX-13 375)		Diesel		12903	375	510	05.13-	*	*
FT 510 (MX-13 375)		Diesel		12903	375	510	05.13-	*	*
FTG 510 (MX-13 375)		Diesel		12903	375	510	05.13-	*	*
FTP 510 (MX-13 375)		Diesel		12903	375	510	05.13-	*	*
FTR 510 (MX-13 375)		Diesel		12903	375	510	05.13-	*	*
FTS 510 (MX-13 375)		Diesel		12903	375	510	05.13-	*	*
FTT 510 (MX-13 375)		Diesel		12903	375	510	05.13-	*	*
FT 530		Diesel		12903	390	530	05.17-	*	*
FTG 530		Diesel		12903	390	530	05.17-	*	*
FTN 530		Diesel		12903	390	530	05.17-	*	*
FTT 530		Diesel		12903	390	530	05.17-	*	*
CF 05.13-								Cabeza tractora	
FT ELECTRIC		Mixto		0	240	326	01.19-	*	*
CF 05.13-								Caja/Chasis	
FA 220 (PX-7 164)		Diesel		6690	164	223	07.14-	*	*
FA 250 (PX-7 186)		Diesel		6690	186	253	07.14-	*	*
FA 280 (PX-7 208)		Diesel		6690	208	283	07.14-	*	*
FAN 280		Diesel		6690	208	283	11.15-	*	*
FAR 280		Diesel		6690	208	283	11.15-	*	*
FA 310 (PX-7 231)		Diesel		6690	231	314	07.14-	*	*
FAN 310		Diesel		6690	231	314	11.15-	*	*
FAR 310		Diesel		6690	231	314	11.15-	*	*
FA 230		Diesel		6691	172	234	08.17-	*	*
FA 260		Diesel		6691	194	264	08.17-	*	*
FA 290		Diesel		6691	217	295	08.17-	*	*
FAN 290		Diesel		6691	217	295	08.17-	*	*
FAR 290		Diesel		6691	217	295	08.17-	*	*
FAS 290		Diesel		6691	217	295	08.17-	*	*
FA 320		Diesel		6691	239	325	08.17-	*	*
FAN 320		Diesel		6691	239	325	08.17-	*	*

LISTA DE APLICACIONES - BUYERS GUIDE

FAR 320	Diesel	6691	239	325	08.17-	*	*
FAS 320	Diesel	6691	239	325	08.17-	*	*
FA 290 (MX-11 210)	Diesel	10837	210	286	05.13-	*	*
FAD 290	Diesel	10837	210	286	05.13-	*	*
FAN 290, FAG 290 (MX-11 210)	Diesel	10837	210	286	05.13-	*	*
FAR 290, FAS 290 (MX-11 210)	Diesel	10837	210	286	05.13-	*	*
FAT 290 (MX-11 210)	Diesel	10837	210	286	05.13-	*	*
FA 300	Diesel	10837	220	299	05.17-	*	*
FAG 300	Diesel	10837	220	299	05.17-	*	*
FAN 300	Diesel	10837	220	299	05.17-	*	*
FAR 300	Diesel	10837	220	299	05.17-	*	*
FAS 300	Diesel	10837	220	299	05.17-	*	*
FAT 300	Diesel	10837	220	299	05.17-	*	*
FAT 300	Diesel	10837	220	299	05.17-	*	*
FA 330 (MX-11 240)	Diesel	10837	240	326	05.13-	*	*
FAD 330	Diesel	10837	240	326	05.13-	*	*
FAN 330, FAG 330 (MX-11 240)	Diesel	10837	240	326	05.13-	*	*
FAR 330, FAS 330 (MX-11 240)	Diesel	10837	240	326	05.13-	*	*
FAT 330 (MX-11 240)	Diesel	10837	240	326	05.13-	*	*
FA 340	Diesel	10837	251	341	05.17-	*	*
FAG 340	Diesel	10837	251	341	05.17-	*	*
FAN 340	Diesel	10837	251	341	05.17-	*	*
FAR 340	Diesel	10837	251	341	05.17-	*	*
FAS 340	Diesel	10837	251	341	05.17-	*	*
FAT 340	Diesel	10837	251	341	05.17-	*	*
FAT 340	Diesel	10837	251	341	05.17-	*	*
FA 370	Diesel	10837	270	367	05.17-	*	*
FAC 370	Diesel	10837	270	367	05.17-	*	*
FAD 370	Diesel	10837	270	367	05.17-	*	*
FAD 370	Diesel	10837	270	367	05.17-	*	*
FAG 370	Diesel	10837	270	367	05.17-	*	*
FAK 370	Diesel	10837	270	367	05.17-	*	*
FAN 370	Diesel	10837	270	367	05.17-	*	*
FAN 370	Diesel	10837	270	367	05.17-	*	*
FAQ 370	Diesel	10837	270	367	05.17-	*	*
FAR 370	Diesel	10837	270	367	05.17-	*	*
FAR 370	Diesel	10837	270	367	05.17-	*	*
FAS 370	Diesel	10837	270	367	05.17-	*	*
FAT 370	Diesel	10837	270	367	05.17-	*	*
FAT 370	Diesel	10837	270	367	05.17-	*	*
FAW 370	Diesel	10837	270	367	10.17-	*	*
FAW 370	Diesel	10837	270	367	10.17-	*	*
FAX 370	Diesel	10837	270	367	05.17-	*	*
FA 370 (MX-11 271)	Diesel	10837	271	370	05.13-	*	*
FAD 370	Diesel	10837	271	370	05.13-	*	*
FAN 370, FAG 370 (MX-11 271)	Diesel	10837	271	370	05.13-	*	*
FAR 370, FAS 370 (MX-11 271)	Diesel	10837	271	370	05.13-	*	*
FAT 370 (MX-11 271)	Diesel	10837	271	370	05.13-	*	*
FA 400 (MX-11 291)	Diesel	10837	291	396	05.13-	*	*
FA 400 (MX-11 291)	Diesel	10837	291	396	05.13-	*	*
FAC 400	Diesel	10837	291	396	12.15-	*	*

LISTA DE APLICACIONES - BUYERS GUIDE

FAD 400 (MX-11 291)	Diesel	10837	291	396	05.13-	*	*
FAN 400, FAG 400 (MX-11 291)	Diesel	10837	291	396	05.13-	*	*
FAQ 400, FAX 400 (MX-11 291)	Diesel	10837	291	396	12.15-	*	*
FAR 400, FAS 400 (MX-11 291)	Diesel	10837	291	396	05.13-	*	*
FAT 400 (MX-11 291)	Diesel	10837	291	396	05.13-	*	*
FA 410	Diesel	10837	300	408	10.17-	*	*
FAC 410	Diesel	10837	300	408	10.17-	*	*
FAD 410	Diesel	10837	300	408	10.17-	*	*
FAD 410	Diesel	10837	300	408	10.17-	*	*
FAG 410	Diesel	10837	300	408	05.17-	*	*
FAK 410	Diesel	10837	300	408	10.17-	*	*
FAN 410	Diesel	10837	300	408	05.17-	*	*
FAN 410	Diesel	10837	300	408	05.17-	*	*
FAQ 410	Diesel	10837	300	408	10.17-	*	*
FAR 410	Diesel	10837	300	408	05.17-	*	*
FAR 410	Diesel	10837	300	408	05.17-	*	*
FAS 410	Diesel	10837	300	408	10.17-	*	*
FAT 410	Diesel	10837	300	408	05.17-	*	*
FAT 410	Diesel	10837	300	408	05.17-	*	*
FAW 410	Diesel	10837	300	408	10.17-	*	*
FAW 410	Diesel	10837	300	408	10.17-	*	*
FAX 410	Diesel	10837	300	408	10.17-	*	*
FA 440 (MX-11 320)	Diesel	10837	320	435	05.13-	*	*
FA 440 (MX-11 320)	Diesel	10837	320	435	05.13-	*	*
FAC 440	Diesel	10837	320	435	12.15-	*	*
FAD 440 (MX-11 320)	Diesel	10837	320	435	05.13-	*	*
FAN 440, FAG 440 (MX-11 320)	Diesel	10837	320	435	05.13-	*	*
FAQ 440, FAX 440 (MX-11 320)	Diesel	10837	320	435	12.15-	*	*
FAR 440, FAS 440 (MX-11 320)	Diesel	10837	320	435	05.13-	*	*
FAT 440 (MX-11 320)	Diesel	10837	320	435	05.13-	*	*
FA 450	Diesel	10837	330	449	05.17-	*	*
FAC 450	Diesel	10837	330	449	05.17-	*	*
FAD 450	Diesel	10837	330	449	05.17-	*	*
FAD 450	Diesel	10837	330	449	05.17-	*	*
FAG 450	Diesel	10837	330	449	05.17-	*	*
FAK 450	Diesel	10837	330	449	05.17-	*	*
FAN 450	Diesel	10837	330	449	05.17-	*	*
FAN 450	Diesel	10837	330	449	05.17-	*	*
FAQ 450	Diesel	10837	330	449	05.17-	*	*
FAR 450	Diesel	10837	330	449	05.17-	*	*
FAR 450	Diesel	10837	330	449	05.17-	*	*
FAS 450	Diesel	10837	330	449	05.17-	*	*
FAT 450	Diesel	10837	330	449	05.17-	*	*
FAT 450	Diesel	10837	330	449	05.17-	*	*
FAW 450	Diesel	10837	330	449	10.17-	*	*
FAW 450	Diesel	10837	330	449	10.17-	*	*
FAX 450	Diesel	10837	330	449	05.17-	*	*
FA 410 (MX-13 303)	Diesel	12903	303	412	05.13-	*	*
FA 410 (MX-13 303)	Diesel	12903	303	412	05.13-	*	*
FAC 410	Diesel	12903	303	412	12.15-	*	*
FAD 410 (MX-13 303)	Diesel	12903	303	412	05.13-	*	*

LISTA DE APLICACIONES - BUYERS GUIDE

FAN 410, FAG 410 (MX-13 303)	Diesel	12903	303	412	05.13-	*	*
FAQ 410, FAX 410 (MX-13 303)	Diesel	12903	303	412	12.15-	*	*
FAR 410, FAS 410 (MX-13 303)	Diesel	12903	303	412	05.13-	*	*
FAT 410 (MX-13 303)	Diesel	12903	303	412	05.13-	*	*
FA 430	Diesel	12903	315	428	10.17-	*	*
FAC 430	Diesel	12903	315	428	05.17-	*	*
FAD 430	Diesel	12903	315	428	05.17-	*	*
FAD 430	Diesel	12903	315	428	05.17-	*	*
FAK 430	Diesel	12903	315	428	05.17-	*	*
FAN 430	Diesel	12903	315	428	05.17-	*	*
FAN 430	Diesel	12903	315	428	05.17-	*	*
FAQ 430	Diesel	12903	315	428	05.17-	*	*
FAR 430	Diesel	12903	315	428	05.17-	*	*
FAR 430	Diesel	12903	315	428	05.17-	*	*
FAS 430	Diesel	12903	315	428	05.17-	*	*
FAT 430	Diesel	12903	315	428	05.17-	*	*
FAT 430	Diesel	12903	315	428	05.17-	*	*
FAW 430	Diesel	12903	315	428	10.17-	*	*
FAW 430	Diesel	12903	315	428	10.17-	*	*
FAX 430	Diesel	12903	315	428	05.17-	*	*
FA 460 (MX-13 340)	Diesel	12903	340	462	05.13-	*	*
FA 460 (MX-13 340)	Diesel	12903	340	462	05.13-	*	*
FAC 460	Diesel	12903	340	462	12.15-	*	*
FAD 460 (MX-13 340)	Diesel	12903	340	462	05.13-	*	*
FAN 460, FAG 460 (MX-13 340)	Diesel	12903	340	462	05.13-	*	*
FAQ 460, FAX 460 (MX-13 340)	Diesel	12903	340	462	12.15-	*	*
FAR 460, FAS 460 (MX-13 340)	Diesel	12903	340	462	05.13-	*	*
FAT 460 (MX-13 340)	Diesel	12903	340	462	05.13-	*	*
FA 480	Diesel	12903	355	483	05.17-	*	*
FAC 480	Diesel	12903	355	483	05.17-	*	*
FAD 480	Diesel	12903	355	483	05.17-	*	*
FAD 480	Diesel	12903	355	483	05.17-	*	*
FAK 480	Diesel	12903	355	483	05.17-	*	*
FAN 480	Diesel	12903	355	483	05.17-	*	*
FAN 480	Diesel	12903	355	483	05.17-	*	*
FAQ 480	Diesel	12903	355	483	05.17-	*	*
FAR 480	Diesel	12903	355	483	05.17-	*	*
FAR 480	Diesel	12903	355	483	05.17-	*	*
FAS 480	Diesel	12903	355	483	05.17-	*	*
FAT 480	Diesel	12903	355	483	05.17-	*	*
FAT 480	Diesel	12903	355	483	05.17-	*	*
FAW 480	Diesel	12903	355	483	10.17-	*	*
FAW 480	Diesel	12903	355	483	10.17-	*	*
FAX 480	Diesel	12903	355	483	05.17-	*	*
FA 510 (MX-13 375)	Diesel	12903	375	510	05.13-	*	*
FA 510 (MX-13 375)	Diesel	12903	375	510	05.13-	*	*
FAC 510	Diesel	12903	375	510	12.15-	*	*
FAD 510 (MX-13 375)	Diesel	12903	375	510	05.13-	*	*
FAN 510, FAG 510 (MX-13 375)	Diesel	12903	375	510	05.13-	*	*
FAQ 510, FAX 510 (MX-13 375)	Diesel	12903	375	510	12.15-	*	*
FAR 510, FAS 510 (MX-13 375)	Diesel	12903	375	510	05.13-	*	*

LISTA DE APLICACIONES - BUYERS GUIDE

FAT 510 (MX-13 375)		Diesel		12903	375	510	05.13-	*	*
FA 530		Diesel		12903	390	530	05.17-	*	*
FAC 530		Diesel		12903	390	530	05.17-	*	*
FAD 530		Diesel		12903	390	530	05.17-	*	*
FAD 530		Diesel		12903	390	530	05.17-	*	*
FAK 530		Diesel		12903	390	530	05.17-	*	*
FAN 530		Diesel		12903	390	530	05.17-	*	*
FAN 530		Diesel		12903	390	530	05.17-	*	*
FAQ 530		Diesel		12903	390	530	05.17-	*	*
FAR 530		Diesel		12903	390	530	05.17-	*	*
FAR 530		Diesel		12903	390	530	05.17-	*	*
FAS 530		Diesel		12903	390	530	05.17-	*	*
FAT 530		Diesel		12903	390	530	05.17-	*	*
FAW 530		Diesel		12903	390	530	10.17-	*	*
FAW 530		Diesel		12903	390	530	10.17-	*	*
FAX 530		Diesel		12903	390	530	05.17-	*	*
CF 05.13-				Camión volquete					
FAD 290		Diesel		10837	210	286	05.13-	*	*
FAT 290 (MX-11 210)		Diesel		10837	210	286	05.13-	*	*
FAD 330		Diesel		10837	240	326	05.13-	*	*
FAT 330 (MX-11 240)		Diesel		10837	240	326	05.13-	*	*
FAD 370		Diesel		10837	271	370	05.13-	*	*
FAT 370 (MX-11 271)		Diesel		10837	271	370	05.13-	*	*
FAD 400 (MX-11 291)		Diesel		10837	291	396	05.13-	*	*
FAT 400 (MX-11 291)		Diesel		10837	291	396	05.13-	*	*
FAD 440 (MX-11 320)		Diesel		10837	320	435	05.13-	*	*
FAT 440 (MX-11 320)		Diesel		10837	320	435	05.13-	*	*
FAD 410 (MX-13 303)		Diesel		12903	303	412	05.13-	*	*
FAT 410 (MX-13 303)		Diesel		12903	303	412	05.13-	*	*
FAD 460 (MX-13 340)		Diesel		12903	340	462	05.13-	*	*
FAT 460 (MX-13 340)		Diesel		12903	340	462	05.13-	*	*
FAD 510 (MX-13 375)		Diesel		12903	375	510	05.13-	*	*
FAT 510 (MX-13 375)		Diesel		12903	375	510	05.13-	*	*
CF 65 01.01-05.13				Caja/Chasis					
FA 65.180 (CE 136 C)		Diesel		5880	136	185	01.01-05.13	*	*
FA 65.220 (CE 162 C)		Diesel		5880	162	220	01.01-05.13	*	*
FA 65.250 (CE 184 C)		Diesel		5880	184	250	01.01-05.13	*	*
FA 65.220 (GR 165 S1)		Diesel		6691	165	224	05.06-05.13	*	*
FA 65.250 (GR 184 S1)		Diesel		6691	184	250	05.06-05.13	*	*
FA 65.280 (GR 210 S1)		Diesel		6691	210	286	05.06-05.13	*	*
FA 65.300 (GR 220)		Diesel		6691	220	300	01.09-05.13	*	*
CF 75 01.01-12.19				Cabeza tractora					
FT 75.250 (PE 183 C)		Diesel		9186	183	249	01.01-05.13	*	*
FT 75.250 (PR 183 S)		Diesel		9186	183	249	01.01-05.13	*	*
FT 75.250		Diesel		9186	183	249	10.06-05.13	*	*
FT 75.310 (PE 228 C)		Diesel		9186	228	310	01.01-05.13	*	*
FT 75.310 (PR 228 S)		Diesel		9186	228	310	01.01-05.13	*	*
FT 75.310		Diesel		9186	228	310	10.06-05.13	*	*
FT 75.360 (PE 265 C)		Diesel		9186	265	360	01.01-05.13	*	*
FT 75.360 (PR 265 S)		Diesel		9186	265	360	01.01-05.13	*	*

LISTA DE APLICACIONES - BUYERS GUIDE

FT 75.360		Diesel		9186	265	360	10.06-05.13	*	*	
CF 75 01.01-12.19							Caja/Chasis			
FA 75.250 (PE 183 C)		Diesel		9186	183	249	01.01-05.13	*	*	
FA 75.250 (PR 183 S)		Diesel		9186	183	249	01.01-05.13	*	*	
FA 75.250		Diesel		9186	183	249	10.06-05.13	*	*	
FAD 75.250 (PR 183 S)		Diesel		9186	183	249	01.01-05.13	*	*	
FAG 75.250, FAN 75.250 (PE 183 C)		Diesel		9186	183	249	01.01-05.13	*	*	
FAG 75.250, FAN 75.250 (PR 183 S)		Diesel		9186	183	249	01.01-05.13	*	*	
FAG 75.250, FAN 75.250		Diesel		9186	183	249	01.01-05.13	*	*	
FAR 75.250, FAS 75.250 (PE 183 C)		Diesel		9186	183	249	01.01-05.13	*	*	
FAR 75.250, FAS 75.250 (PR 183 S)		Diesel		9186	183	249	01.01-05.13	*	*	
FAR 75.250, FAS 75.250 (PR 183 S)		Diesel		9186	183	249	10.06-05.13	*	*	
FAT 75.250 (PE 183 C)		Diesel		9186	183	249	01.01-05.13	*	*	
FAT 75.250 (PR 183 S)		Diesel		9186	183	249	01.01-05.13	*	*	
FAT 75.250		Diesel		9186	183	249	10.06-05.13	*	*	
FA 75.310 (PE 228 C)		Diesel		9186	228	310	01.01-05.13	*	*	
FA 75.310 (PR 228 S)		Diesel		9186	228	310	01.01-05.13	*	*	
FA 75.310 (PR 228 S)		Diesel		9186	228	310	10.06-05.13	*	*	
FAD 75.310 (PR 228 S)		Diesel		9186	228	310	01.01-05.13	*	*	
FAG 75.310, FAN 75.310 (PE 228 C)		Diesel		9186	228	310	01.01-05.13	*	*	
FAG 75.310, FAN 75.310 (PR 228 S)		Diesel		9186	228	310	01.01-05.13	*	*	
FAG 75.310, FAN 75.310		Diesel		9186	228	310	01.01-05.13	*	*	
FAR 75.310, FAS 75.310 (PE 228 C)		Diesel		9186	228	310	01.01-05.13	*	*	
FAR 75.310, FAS 75.310 (PR 228 S)		Diesel		9186	228	310	01.01-05.13	*	*	
FAR 75.310, FAS 75.310		Diesel		9186	228	310	01.01-05.13	*	*	
FAT 75.310 (PE 228 C)		Diesel		9186	228	310	01.01-05.13	*	*	
FAT 75.310 (PR 228 S)		Diesel		9186	228	310	01.01-05.13	*	*	
FAT 75.310		Diesel		9186	228	310	10.06-05.13	*	*	
FA 75.360 (PE 265 C)		Diesel		9186	265	360	01.01-05.13	*	*	
FA 75.360 (PR 265 S)		Diesel		9186	265	360	01.01-05.13	*	*	
FA 75.360 (PR 265 S)		Diesel		9186	265	360	10.06-05.13	*	*	
FAD 75.360 (PR 265 S)		Diesel		9186	265	360	01.01-05.13	*	*	
FAG 75.360, FAN 75.360 (PE 265 C)		Diesel		9186	265	360	01.01-05.13	*	*	
FAG 75.360, FAN 75.360 (PR 265 S)		Diesel		9186	265	360	01.01-05.13	*	*	
FAG 75.360, FAN 75.360		Diesel		9186	265	360	01.01-05.13	*	*	
FAR 75.360, FAS 75.360 (PE 265 C)		Diesel		9186	265	360	01.01-05.13	*	*	
FAR 75.360, FAS 75.360 (PR 265 S)		Diesel		9186	265	360	01.01-05.13	*	*	
FAR 75.360, FAS 75.360		Diesel		9186	265	360	10.06-05.13	*	*	
FAT 75.360 (PE 265 C)		Diesel		9186	265	360	01.01-05.13	*	*	
FAT 75.360 (PR 265 S)		Diesel		9186	265	360	01.01-05.13	*	*	
FAT 75.360		Diesel		9186	265	360	10.06-05.13	*	*	
CF 75 01.01-12.19							Camión volquete			
FA 75.250		Diesel		9186	183	249	10.06-05.13	*	*	
FA 75.310 (PR 228 S)		Diesel		9186	228	310	10.06-05.13	*	*	
FA 75.360 (PR 265 S)		Diesel		9186	265	360	10.06-05.13	*	*	
CF 85 01.01-05.13							Cabeza tractora			
FT 85.340 (XE 250 C)		Diesel		12580	250	340	01.01-05.13	*	*	
FTG 85.340 (XE 250 C)		Diesel		12580	250	340	01.01-05.13	*	*	
FTP 85.340 (XE 250 C)		Diesel		12580	250	340	01.01-05.13	*	*	
FTS 85.340 (XE 250 C)		Diesel		12580	250	340	01.01-05.13	*	*	

LISTA DE APLICACIONES - BUYERS GUIDE

FTT 85.340 (XE 250 C)		Diesel		12580	250	340	01.01-05.13	*	*
FT 85.380 (XE 280 C)		Diesel		12580	280	381	01.01-05.13	*	*
FTG 85.380 (XE 280 C)		Diesel		12580	280	381	01.01-05.13	*	*
FTP 85.380 (XE 280 C)		Diesel		12580	280	380	01.01-05.13	*	*
FTS 85.380 (XE 280 C)		Diesel		12580	280	381	01.01-05.13	*	*
FTT 85.380 (XE 280 C)		Diesel		12580	280	381	01.01-05.13	*	*
FT 85.430 (XE 315 C)		Diesel		12580	315	428	01.01-05.13	*	*
FTG 85.430 (XE 315 C)		Diesel		12580	315	428	01.01-05.13	*	*
FTP 85.430 (XE 315 C)		Diesel		12580	315	430	01.01-05.13	*	*
FTS 85.430 (XE 315 C)		Diesel		12580	315	428	01.01-05.13	*	*
FTT 85.430 (XE 315 C)		Diesel		12580	315	430	01.01-05.13	*	*
FT 85.480 (XE 355 C)		Diesel		12580	355	483	01.01-05.13	*	*
FTG 85.480 (XE 355 C)		Diesel		12580	355	483	01.01-05.13	*	*
FTP 85.480 (XF 355 M)		Diesel		12580	355	480	01.01-05.13	*	*
FTS 85.480 (XE 355 C)		Diesel		12580	355	480	01.01-05.13	*	*
FTT 85.480 (XE 355 C)		Diesel		12580	355	483	01.01-05.13	*	*
FT 85.410 (MX 300)		Diesel		12902	300	408	10.05-05.13	*	*
FT 85.360 (MX 265)		Diesel		12903	265	360	10.06-05.13	*	*
FTG 85.360 (MX 265)		Diesel		12903	265	360	10.06-05.13	*	*
FTR 85.360, FTS 85.360, FTP 85.360 (MX 265)		Diesel		12903	265	360	10.06-12.20	*	*
FTT 85.360 (MX 265)		Diesel		12903	265	360	10.06-05.13	*	*
FTG 85.410 (MX 300)		Diesel		12903	300	408	10.05-05.13	*	*
FTR 85.410, FTS 85.410, FTP 85.410 (MX 300)		Diesel		12903	300	408	10.05-05.13	*	*
FTT 85.410		Diesel		12903	300	408	10.05-05.13	*	*
FT 85.460 (MX 340)		Diesel		12903	340	462	10.05-05.13	*	*
FTG 85.460 (MX 340)		Diesel		12903	340	462	10.05-05.13	*	*
FTR 85.460, FTS 85.460, FTP 85.460 (MX 340)		Diesel		12903	340	462	10.05-05.13	*	*
FTT 85.460 (MX 340)		Diesel		12903	340	462	10.05-05.13	*	*
FT 85.510 (MX 375)		Diesel		12903	375	510	10.05-05.13	*	*
FTG 85.510 (MX 375)		Diesel		12903	375	510	10.05-05.13	*	*
FTG 85.510		Diesel		12903	375	510	10.05-05.13	*	*
FTR 85.510, FTS 85.510, FTP 85.510 (MX 375)		Diesel		12903	375	510	10.05-05.13	*	*
FTT 85.510 (MX 375)		Diesel		12903	375	510	10.05-05.13	*	*
CF 85 01.01-05.13								Caja/Chasis	
FAX 85.360 (PR 265 S)		Diesel		9200	265	360	10.05-05.13	*	*
FA 85.340 (XE 250 C)		Diesel		12580	250	340	01.01-05.13	*	*
FAC 85.340 (XE 250 C)		Diesel		12580	250	340	12.05-05.13	*	*
FAD 85.340 (XE 250 C)		Diesel		12580	250	340	01.01-05.13	*	*
FAG 85.340, FAN 85.340 (XE 250 C)		Diesel		12580	250	340	01.01-05.13	*	*
FAR 85.340, FAS 85.340 (XE 250 C)		Diesel		12580	250	340	01.01-05.13	*	*
FAT 85.340 (XE 250 C)		Diesel		12580	250	340	01.01-05.13	*	*
FAX 85.340 (XE 250 C)		Diesel		12580	250	340	01.01-05.13	*	*
FAX 85.380 (XE 280 C)		Diesel		12580	279	380	01.01-05.13	*	*
FA 85.380 (XE 280 C)		Diesel		12580	280	381	01.01-05.13	*	*
FAC 85.380 (XE 280 C)		Diesel		12580	280	380	12.05-05.13	*	*
FAD 85.380 (XE 280 C)		Diesel		12580	280	381	01.01-05.13	*	*
FAG 85.380, FAN 85.380 (XE 280 C)		Diesel		12580	280	381	01.01-05.13	*	*
FAR 85.380, FAS 85.380 (XE 280 C)		Diesel		12580	280	381	01.01-05.13	*	*
FAT 85.380 (XE 280 C)		Diesel		12580	280	381	01.01-05.13	*	*
FA 85.430 (XE 315 C)		Diesel		12580	315	428	01.01-05.13	*	*
FAC 85.430 (XE 315 C)		Diesel		12580	315	428	12.05-05.13	*	*

LISTA DE APLICACIONES - BUYERS GUIDE

FAD 85.430 (XE 315 C)		Diesel		12580	315	428	01.01-05.13	*	*
FAG 85.430, FAN 85.430 (XE 315 C)		Diesel		12580	315	428	01.01-05.13	*	*
FAR 85.430, FAS 85.430 (XE 315 C)		Diesel		12580	315	428	01.01-05.13	*	*
FAT 85.430 (XE 315 C)		Diesel		12580	315	428	01.01-05.13	*	*
FAX 85.430 (XE 315 C)		Diesel		12580	315	430	01.01-05.13	*	*
FTT 85.430 (XE 315 C)		Diesel		12580	315	428	01.01-05.13	*	*
FAX 85.480 (XE 355 C)		Diesel		12580	351	477	01.01-05.13	*	*
FA 85.480 (XE 355 C)		Diesel		12580	355	483	01.01-05.13	*	*
FAC 85.480 (XE 355 C)		Diesel		12580	355	483	12.05-05.13	*	*
FAD 85.480 (XE 355 C)		Diesel		12580	355	483	01.01-05.13	*	*
FAG 85.480, FAN 85.480 (XE 355 C)		Diesel		12580	355	483	01.01-05.13	*	*
FAR 85.480, FAS 85.480 (XE 355 C)		Diesel		12580	355	483	01.01-05.13	*	*
FAT 85.480 (XE 355 C)		Diesel		12580	355	483	01.01-05.13	*	*
FAD 85.360 (MX 265)		Diesel		12900	265	360	10.06-05.13	*	*
FAD 85.410 (MX 300)		Diesel		12900	300	408	10.05-05.13	*	*
FTT 85.410 (MX 300)		Diesel		12900	300	408	10.05-05.13	*	*
FAD 85.460 (MX 340)		Diesel		12900	340	462	10.05-05.13	*	*
FAD 85.510 (MX 375)		Diesel		12900	375	510	10.05-05.13	*	*
FA 85.360 (MX 265)		Diesel		12903	265	360	10.06-05.13	*	*
FAC 85.360 (MX 265)		Diesel		12903	265	360	10.06-05.13	*	*
FAD 85.360		Diesel		12903	265	360	10.06-05.13	*	*
FAG 85.360, FAN 85.360 (MX 265)		Diesel		12903	265	360	10.06-05.13	*	*
FAG 85.360, FAN 85.360		Diesel		12903	265	360	10.06-05.13	*	*
FAQ 85.360 (MX 265)		Diesel		12903	265	360	10.06-05.13	*	*
FAQ 85.360 (MX-13 265)		Diesel		12903	265	360	10.06-05.13	*	*
FAR 85.360, FAS 85.360 (MX 265)		Diesel		12903	265	360	10.06-05.13	*	*
FAT 85.360 (MX 265)		Diesel		12903	265	360	10.06-05.13	*	*
FAX 85.360		Diesel		12903	265	360	10.06-05.13	*	*
FA 85.410 (MX 300)		Diesel		12903	300	408	10.06-05.13	*	*
FAC 85.410 (MX 300)		Diesel		12903	300	408	10.05-05.13	*	*
FAD 85.410 (MX 300)		Diesel		12903	300	408	10.06-05.13	*	*
FAD 85.410 (MX-13 303)		Diesel		12903	300	408	10.06-05.13	*	*
FAG 85.410, FAN 85.410 (MX 300)		Diesel		12903	300	408	10.05-05.13	*	*
FAG 85.410, FAN 85.410		Diesel		12903	300	408	10.06-05.13	*	*
FAQ 85.410 (MX 300)		Diesel		12903	300	408	10.06-05.13	*	*
FAQ 85.410 (MX-13 303)		Diesel		12903	300	408	10.06-05.13	*	*
FAR 85.410		Diesel		12903	300	408	10.05-05.13	*	*
FAR 85.410, FAS 85.410 (MX 300)		Diesel		12903	300	408	10.05-05.13	*	*
FAT 85.410 (MX 300)		Diesel		12903	300	408	10.05-05.13	*	*
FAX 85.410		Diesel		12903	300	408	10.05-05.13	*	*
FA 85.460 (MX 340)		Diesel		12903	340	462	10.06-05.13	*	*
FAC 85.460 (MX 340)		Diesel		12903	340	462	10.05-05.13	*	*
FAD 85.460 (MX 340)		Diesel		12903	340	462	10.06-05.13	*	*
FAD 85.460 (MX-13 340)		Diesel		12903	340	462	10.06-05.13	*	*
FAG 85.460, FAN 85.460 (MX 340)		Diesel		12903	340	462	10.05-05.13	*	*
FAG 85.460, FAN 85.460		Diesel		12903	340	462	10.06-05.13	*	*
FAQ 85.460 (MX 340)		Diesel		12903	340	462	10.06-05.13	*	*
FAQ 85.460 (MX-13 340)		Diesel		12903	340	462	10.06-05.13	*	*
FAR 85.460		Diesel		12903	340	462	10.05-05.13	*	*
FAR 85.460, FAS 85.460 (MX 340)		Diesel		12903	340	462	10.05-05.13	*	*
FAT 85.460 (MX 340)		Diesel		12903	340	462	10.05-05.13	*	*

LISTA DE APLICACIONES - BUYERS GUIDE

FAX 85.460		Diesel		12903	340	462	10.05-05.13	*	*
FA 85.510 (MX 375)		Diesel		12903	375	510	10.06-05.13	*	*
FAC 85.510 (MX 375)		Diesel		12903	375	510	10.05-05.13	*	*
FAD 85.510 (MX 375)		Diesel		12903	375	510	10.06-05.13	*	*
FAD 85.510 (MX-13 375)		Diesel		12903	375	510	10.06-05.13	*	*
FAG 85.510, FAN 85.510 (MX 375)		Diesel		12903	375	510	10.05-05.13	*	*
FAG 85.510, FAN 85.510 (MX 375)		Diesel		12903	375	510	10.06-05.13	*	*
FAG 85.510, FAN 85.510 (MX-13 375)		Diesel		12903	375	510	10.06-05.13	*	*
FAQ 85.510 (MX 375)		Diesel		12903	375	510	10.06-05.13	*	*
FAQ 85.510 (MX-13 375)		Diesel		12903	375	510	10.06-05.13	*	*
FAR 85.510		Diesel		12903	375	510	10.05-05.13	*	*
FAR 85.510, FAS 85.510 (MX 375)		Diesel		12903	375	510	10.05-05.13	*	*
FAT 85.510 (MX 375)		Diesel		12903	375	510	10.05-05.13	*	*
FAX 85.510		Diesel		12903	375	510	10.05-05.13	*	*
CF 85 01.01-05.13				Camión volquete					
FA 85.360		Diesel		12903	265	360	10.06-05.13	*	*
FAD 85.360		Diesel		12903	265	360	10.06-05.13	*	*
FAN 85.360		Diesel		12903	265	360	10.06-05.13	*	*
FAR 85.360		Diesel		12903	265	360	10.06-05.13	*	*
FAR 85.360, FAS 85.360		Diesel		12903	265	360	10.06-05.13	*	*
FAT 85.360 (MX 265)		Diesel		12903	265	360	10.06-05.13	*	*
FA 85.410		Diesel		12903	300	408	10.06-05.13	*	*
FAD 85.410 (MX-13 303)		Diesel		12903	300	408	10.06-05.13	*	*
FAN 85.410		Diesel		12903	300	408	10.06-05.13	*	*
FAR 85.410, FAS 85.410		Diesel		12903	300	408	10.05-05.13	*	*
FAT 85.410 (MX 300)		Diesel		12903	300	408	10.05-05.13	*	*
FA 85.460		Diesel		12903	340	462	10.06-05.13	*	*
FAD 85.460 (MX-13 340)		Diesel		12903	340	462	10.06-05.13	*	*
FAN 85.460		Diesel		12903	340	462	10.06-05.13	*	*
FAR 85.460, FAS 85.460		Diesel		12903	340	462	10.05-05.13	*	*
FAT 85.460 (MX 340)		Diesel		12903	340	462	10.05-05.13	*	*
FA 85.510		Diesel		12903	375	510	10.06-05.13	*	*
FAD 85.510 (MX-13 375)		Diesel		12903	375	510	10.06-05.13	*	*
FAN 85.510 (MX-13 375)		Diesel		12903	375	510	10.06-05.13	*	*
FAR 85.510, FAS 85.510		Diesel		12903	375	510	10.05-05.13	*	*
FAT 85.510 (MX 375)		Diesel		12903	375	510	10.05-05.13	*	*
CF 85 01.01-05.13				Hormigonera					
FAD 85.360 (MX 265)		Diesel		12900	265	360	10.06-05.13	*	*
FAD 85.410 (MX 300)		Diesel		12900	300	408	10.06-05.13	*	*
FAD 85.460 (MX 340)		Diesel		12900	340	462	10.05-05.13	*	*
FAD 85.510 (MX 375)		Diesel		12900	375	510	10.05-05.13	*	*
FAD 85.360		Diesel		12903	265	360	10.06-05.13	*	*
FAD 85.410 (MX-13 303)		Diesel		12903	300	408	10.06-05.13	*	*
FAD 85.460 (MX-13 340)		Diesel		12903	340	462	10.06-05.13	*	*
FAD 85.510 (MX-13 375)		Diesel		12903	375	510	10.06-05.13	*	*
F 2500				Hormigonera					
FMD2525 DHS (DHS 825)		Diesel		8250	184	250	02.82-09.86		*
F 3300 06.81-09.91				Caja/Chasis					
FAT3325 DKX (DKX 1160 ATI)		Diesel		11627	260	354	06.85-09.91		*

LISTA DE APLICACIONES - BUYERS GUIDE

LF 45 01.01-					Caja/Chasis			
FA 45.210 (FR 152)	Diesel		4461	152	207	01.09-	*	
LF 55 01.01-					Caja/Chasis			
FA 55.170 (BE 123 C)	Diesel		3920	123	167	01.01-	*	*
FA 55.160 (FR 118 S1)	Diesel		4461	118	160	05.06-	*	*
FA 55.210 (FR 152)	Diesel		4461	152	207	01.09-	*	*
FA 55.180 (CE 136 C)	Diesel		5880	136	185	01.01-	*	*
FAN 55.180 (CE 136 C)	Diesel		5880	136	180	05.06-	*	*
FA 55.220 (CE 162 C)	Diesel		5880	162	220	01.01-	*	*
FAN 55.220 (CE 162 C)	Diesel		5880	162	220	05.06-	*	*
FA 55.250 (CE 184 C)	Diesel		5880	184	250	01.01-	*	*
FAN 55.250 (CE 184 C)	Diesel		5880	184	250	05.06-	*	*
FA 55.220 (GR 165 S1)	Diesel		6691	165	224	05.06-	*	*
FAN 55.220 (GR 165 S1)	Diesel		6691	165	224	05.06-	*	*
FA 55.250 (GR 184 S1)	Diesel		6691	184	250	05.06-	*	*
FAN 55.250 (GR 184 S1)	Diesel		6691	184	250	05.06-	*	*
FA 55.290 (GR 210 S1)	Diesel		6691	210	286	05.06-	*	*
FAN 55.290 (GR 210 S1)	Diesel		6691	210	286	05.06-	*	*
FA 55.300 (GR 220)	Diesel		6691	220	300	01.09-	*	*
LF 55 01.01-					Veh. Municipal			
FA 55.160	Diesel		4461	118	160	05.06-	*	*
SB 01.74-					Bus			
SB 3000 (DKV 1160)	Diesel		11627	212	288	01.84-12.03	*	*
SB 3000 (DKSB 1160)	Diesel		11627	228	310	01.84-12.03	*	*
SB 3000 (WS 242)	Diesel		11627	242	330	05.95-12.03	*	*
SB 3000 (WS 268)	Diesel		11627	268	364	05.95-12.03	*	*
SB 3000 (WS 315)	Diesel		11627	315	428	05.95-12.03	*	*
XF 10.12-					Cabeza tractora			
FT 440 (MX-11 320)	Diesel		10837	320	435	10.12-	*	*
FTG 440, FTN 440	Diesel		10837	320	435	10.12-	*	*
FTP 440	Diesel		10837	320	435	10.12-	*	*
FTP 440, FTR 440, FTS 440 (MX-11 320)	Diesel		10837	320	435	10.12-	*	*
FT 450	Diesel		10837	330	449	05.17-	*	*
FTG 450	Diesel		10837	330	449	05.17-	*	*
FTN 450	Diesel		10837	330	449	05.17-	*	*
FT 410 (MX-13 303)	Diesel		12903	303	412	10.12-	*	*
FTG 410, FTN 410	Diesel		12903	303	412	10.12-	*	*
FTP 410	Diesel		12903	303	412	10.12-	*	*
FTP 410, FTR 410, FTS 410 (MX-13 303)	Diesel		12903	303	412	10.12-	*	*
FT 430	Diesel		12903	315	428	05.17-	*	*
FTG 430	Diesel		12903	315	428	05.17-	*	*
FTM 430	Diesel		12903	315	428	05.17-	*	*
FTN 430	Diesel		12903	315	428	05.17-	*	*
FTT 430	Diesel		12903	315	428	05.17-	*	*
FT 460 (MX-13 340)	Diesel		12903	340	462	10.12-	*	*
FTG 460, FTN 460 (MX-13 340)	Diesel		12903	340	462	10.12-	*	*
FTM 460	Diesel		12903	340	462	10.12-	*	*
FTP 460	Diesel		12903	340	462	10.12-	*	*
FTP 460, FTR 460, FTS 460 (MX-13 340)	Diesel		12903	340	462	10.12-	*	*
FTT 460	Diesel		12903	340	462	10.12-	*	*

LISTA DE APLICACIONES - BUYERS GUIDE

FT 480	Diesel	12903	355	483	05.17-	*	*
FTG 480	Diesel	12903	355	483	05.17-	*	*
FTM 480	Diesel	12903	355	483	05.17-	*	*
FTN 480	Diesel	12903	355	483	05.17-	*	*
FTT 480	Diesel	12903	355	483	05.17-	*	*
FT 510 (MX-13 375)	Diesel	12903	375	510	10.12-	*	*
FTG 510, FTN 510	Diesel	12903	375	510	10.12-	*	*
FTM 510	Diesel	12903	375	510	10.12-	*	*
FTP 510	Diesel	12903	375	510	10.12-	*	*
FTP 510, FTR 510, FTS 510 (MX-13 375)	Diesel	12903	375	510	10.12-	*	*
FTT 510	Diesel	12903	375	510	10.12-	*	*
FT 530	Diesel	12903	390	530	05.17-	*	*
FTG 530	Diesel	12903	390	530	05.17-	*	*
FTM 530	Diesel	12903	390	530	05.17-	*	*
FTN 530	Diesel	12903	390	530	05.17-	*	*
FTT 530	Diesel	12903	390	530	05.17-	*	*
XF 10.12-						Caja/Chasis	
FA 440 (MX-11 320)	Diesel	10837	320	435	10.12-	*	*
FA 440	Diesel	10837	320	435	10.12-	*	*
FA 440	Diesel	10837	320	435	10.12-	*	*
FAK 440	Diesel	10837	320	435	10.12-	*	*
FAN 440	Diesel	10837	320	435	10.12-	*	*
FAR 440	Diesel	10837	320	435	10.12-	*	*
FAR 440, FAS 440 (MX-11 320)	Diesel	10837	320	435	10.12-	*	*
FA 450	Diesel	10837	330	449	05.17-	*	*
FAK 450	Diesel	10837	330	449	05.17-	*	*
FAN 450	Diesel	10837	330	449	05.17-	*	*
FAR 450	Diesel	10837	330	449	05.17-	*	*
FAR 450	Diesel	10837	330	449	05.17-	*	*
FAS 450	Diesel	10837	330	449	05.17-	*	*
FAS 450	Diesel	10837	330	449	05.17-	*	*
FA 410 (MX-13 303)	Diesel	12903	303	412	10.12-	*	*
FA 410	Diesel	12903	303	412	10.12-	*	*
FA 410	Diesel	12903	303	412	10.12-	*	*
FAK 410	Diesel	12903	303	412	10.12-	*	*
FAN 410	Diesel	12903	303	412	10.12-	*	*
FAR 410	Diesel	12903	303	412	10.12-	*	*
FAR 410, FAS 410 (MX-13 303)	Diesel	12903	303	412	10.12-	*	*
FA 430	Diesel	12903	315	428	05.17-	*	*
FAD 430	Diesel	12903	315	428	05.17-	*	*
FAK 430	Diesel	12903	315	428	05.17-	*	*
FAN 430	Diesel	12903	315	428	05.17-	*	*
FAR 430	Diesel	12903	315	428	05.17-	*	*
FAR 430	Diesel	12903	315	428	05.17-	*	*
FAS 430	Diesel	12903	315	428	05.17-	*	*
FAS 430	Diesel	12903	315	428	05.17-	*	*
FAT 430	Diesel	12903	315	428	05.17-	*	*
FA 460 (MX-13 340)	Diesel	12903	340	462	10.12-	*	*
FA 460	Diesel	12903	340	462	10.12-	*	*
FA 460	Diesel	12903	340	462	10.12-	*	*
FAD 460 (MX-13 340)	Diesel	12903	340	462	10.12-	*	*

LISTA DE APLICACIONES - BUYERS GUIDE

FAK 460		Diesel		12903	340	462	10.12-	*	*
FAN 460 (MX-13 340)		Diesel		12903	340	462	10.12-	*	*
FAR 460 (MX-13 340)		Diesel		12903	340	462	10.12-	*	*
FAR 460, FAS 460 (MX-13 340)		Diesel		12903	340	462	10.12-	*	*
FAT 460		Diesel		12903	340	462	06.15-	*	*
FA 480		Diesel		12903	355	483	05.17-	*	*
FAD 480		Diesel		12903	355	483	05.17-	*	*
FAK 480		Diesel		12903	355	483	05.17-	*	*
FAN 480		Diesel		12903	355	483	05.17-	*	*
FAR 480		Diesel		12903	355	483	05.17-	*	*
FAR 480		Diesel		12903	355	483	05.17-	*	*
FAS 480		Diesel		12903	355	483	05.17-	*	*
FAS 480		Diesel		12903	355	483	05.17-	*	*
FAT 480		Diesel		12903	355	483	05.17-	*	*
FA 510 (MX-13 375)		Diesel		12903	375	510	10.12-	*	*
FA 510		Diesel		12903	375	510	10.12-	*	*
FA 510		Diesel		12903	375	510	10.12-	*	*
FAD 510		Diesel		12903	375	510	10.12-	*	*
FAK 510		Diesel		12903	375	510	12.12-	*	*
FAN 510		Diesel		12903	375	510	10.12-	*	*
FAR 510		Diesel		12903	375	510	10.12-	*	*
FAR 510, FAS 510 (MX-13 375)		Diesel		12903	375	510	10.12-	*	*
FAT 510		Diesel		12903	375	510	06.15-	*	*
FA 530		Diesel		12903	390	530	05.17-	*	*
FAD 530		Diesel		12903	390	530	05.17-	*	*
FAK 530		Diesel		12903	390	530	05.17-	*	*
FAN 530		Diesel		12903	390	530	05.17-	*	*
FAR 530		Diesel		12903	390	530	05.17-	*	*
FAR 530		Diesel		12903	390	530	05.17-	*	*
FAS 530		Diesel		12903	390	530	05.17-	*	*
FAS 530		Diesel		12903	390	530	05.17-	*	*
FAT 530		Diesel		12903	390	530	05.17-	*	*
XF 105 10.05-									Cabeza tractora
FT 105.410 (MX 300)		Diesel		12903	300	408	10.05-	*	*
FTG 105.410 (MX 300)		Diesel		12903	300	408	10.05-	*	*
FTG 105.410		Diesel		12903	300	408	10.05-	*	*
FTM 105.410 (MX 300)		Diesel		12903	300	408	10.05-	*	*
FTP 105.410		Diesel		12903	300	408	10.05-	*	*
FTS 105.410, FTR 105.410 (MX 300)		Diesel		12903	300	408	10.05-	*	*
FTT 105.410 (MX 300)		Diesel		12903	300	408	10.05-	*	*
FT 105.460 (MX 340)		Diesel		12903	340	462	10.05-	*	*
FTG 105.460 (MX 340)		Diesel		12903	340	462	10.05-	*	*
FTG 105.460		Diesel		12903	340	462	10.05-	*	*
FTM 105.460 (MX 340)		Diesel		12903	340	460	10.05-	*	*
FTP 105.460		Diesel		12903	340	462	10.05-	*	*
FTS 105.460, FTR 105.460 (MX 340)		Diesel		12903	340	462	10.05-	*	*
FTT 105.460 (MX 340)		Diesel		12903	340	462	10.05-	*	*
FT 105.510 (MX 375)		Diesel		12903	375	510	10.05-	*	*
FTG 105.510 (MX 375)		Diesel		12903	375	510	10.05-	*	*
FTG 105.510		Diesel		12903	375	510	10.05-	*	*
FTM 105.510 (MX 375)		Diesel		12903	375	510	10.05-	*	*

LISTA DE APLICACIONES - BUYERS GUIDE

FTS 105.510, FTR 105.510 (MX 375)	Diesel		12903	375	510	10.05-	*	*	
FTT 105.510 (MX 375)	Diesel		12903	375	510	10.05-	*	*	
XF 105 10.05-							Caja/Chasis		
FA 105.410 (MX 300)	Diesel		12903	300	408	10.05-	*	*	
FAD 105.410 (MX 300)	Diesel		12903	300	408	10.05-	*	*	
FAK 105.410 (MX 300)	Diesel		12903	300	408	10.05-	*	*	
FAN 105.410	Diesel		12903	300	408	10.05-	*	*	
FAR 105.410	Diesel		12903	300	408	10.05-	*	*	
FAS 105.410, FAR 105.410 (MX 300)	Diesel		12903	300	408	10.05-	*	*	
FAT 105.410 (MX 300)	Diesel		12903	300	408	10.05-	*	*	
FA 105.460 (MX 340)	Diesel		12903	340	462	10.05-	*	*	
FAD 105.460 (MX 340)	Diesel		12903	340	462	10.05-	*	*	
FAK 105.460 (MX 340)	Diesel		12903	340	462	10.05-	*	*	
FAN 105.460	Diesel		12903	340	462	10.05-	*	*	
FAR 105.460	Diesel		12903	340	462	10.05-	*	*	
FAS 105.460, FAR 105.460 (MX 340)	Diesel		12903	340	462	10.05-	*	*	
FAT 105.460 (MX 340)	Diesel		12903	340	462	10.05-	*	*	
FA 105.510 (MX 375)	Diesel		12903	375	510	10.05-	*	*	
FAD 105.510 (MX 375)	Diesel		12903	375	510	10.05-	*	*	
FAK 105.510 (MX 375)	Diesel		12903	375	510	10.05-	*	*	
FAN 105.510	Diesel		12903	375	510	10.05-	*	*	
FAR 105.510	Diesel		12903	375	510	10.05-	*	*	
FAS 105.510, FAR 105.510 (MX 375)	Diesel		12903	375	510	10.05-	*	*	
FAT 105.510 (MX 375)	Diesel		12903	375	510	10.05-	*	*	
XF 95 01.02-12.06							Cabeza tractora		
FT 95.380 (XE 280 C)	Diesel		12580	280	381	09.02-12.06	*	*	
FTG 95.380 (XE 280 C)	Diesel		12580	280	381	09.02-12.06	*	*	
FTM 95.380 (XE 280 C)	Diesel		12580	280	381	12.05-12.06	*	*	
FTP 95.380 (XE 280 C)	Diesel		12580	280	381	01.02-12.06	*	*	
FTP 95.380 (XF 280 M)	Diesel		12580	280	381	01.02-12.06	*	*	
FTR 95.380 (XE 280 C)	Diesel		12580	280	381	01.02-12.06	*	*	
FTS 95.380 (XE 280 C)	Diesel		12580	280	381	01.02-12.06	*	*	
FTT 95.380 (XE 280 C)	Diesel		12580	280	381	01.02-03.06	*	*	
FT 95.430 (XE 315 C)	Diesel		12580	315	428	09.02-12.06	*	*	
FTG 95.430 (XE 315 C)	Diesel		12580	315	428	12.05-12.06	*	*	
FTM 95.430 (XE 315 C)	Diesel		12580	315	430	12.05-12.06	*	*	
FTP 95.430 (XE 315 C)	Diesel		12580	315	430	01.02-12.06	*	*	
FTP 95.430 (XF 315 M)	Diesel		12580	315	430	01.02-12.06	*	*	
FTR 95.430 (XE 315 C)	Diesel		12580	315	430	01.02-12.06	*	*	
FTS 95.430 (XE 315 C)	Diesel		12580	315	430	01.02-12.06	*	*	
FTT 95.430 (XE 315 C)	Diesel		12580	315	430	01.02-03.06	*	*	
FT 95.480 (XE 355 C)	Diesel		12580	355	483	09.02-12.06	*	*	
FTG 95.480 (XE 355 C)	Diesel		12580	355	483	12.05-12.06	*	*	
FTM 95.480 (XE 355 C)	Diesel		12580	355	483	12.05-12.06	*	*	
FTP 95.480 (XE 355 C)	Diesel		12580	355	480	01.02-12.06	*	*	
FTP 95.480 (XF 355 M)	Diesel		12580	355	480	01.02-12.06	*	*	
FTR 95.480 (XE 355 C)	Diesel		12580	355	480	01.02-12.06	*	*	
FTS 95.480 (XE 355 C)	Diesel		12580	355	480	01.02-12.06	*	*	
FTT 95.480 (XE 355 C)	Diesel		12580	355	483	01.02-03.06	*	*	
FT 95.530 (XE 390 C)	Diesel		12580	390	530	09.02-12.06	*	*	
FTG 95.530 (XE 390 C)	Diesel		12580	390	530	09.02-12.06	*	*	

LISTA DE APLICACIONES - BUYERS GUIDE

FTM 95.530 (XE 390 C)		Diesel		12580	390	530	09.02-12.06	*	*	
FTP 95.530 (XE 390 C)		Diesel		12580	390	530	09.02-03.06	*	*	
FTR 95.530 (XE 390 C)		Diesel		12580	390	530	09.02-03.06	*	*	
FTS 95.530 (XE 390 C)		Diesel		12580	390	530	09.02-03.06	*	*	
FTT 95.530 (XE 390 C)		Diesel		12580	390	530	09.02-03.06	*	*	
XF 95 01.02-12.06							Caja/Chasis			
FA 95.380 (XE 280 C)		Diesel		12580	280	381	09.02-12.06	*	*	
FAD 95.380 (XE 280 C)		Diesel		12580	280	381	01.02-12.06	*	*	
FAK 95.380 (XE 280 C)		Diesel		12580	280	381	01.02-12.06	*	*	
FAK 95.380 (XF 280 M)		Diesel		12580	280	381	01.02-12.06	*	*	
FAN 95.380 (XE 280 C)		Diesel		12580	280	381	01.02-12.06	*	*	
FAR 95.380 (XE 280 C)		Diesel		12580	280	381	09.02-12.06	*	*	
FAS 95.380 (XE 280 C)		Diesel		12580	280	381	01.02-12.06	*	*	
FAT 95.380 (XE 280 C)		Diesel		12580	280	381	01.02-12.06	*	*	
FA 95.430 (XE 315 C)		Diesel		12580	315	428	09.02-12.06	*	*	
FAD 95.430 (XE 315 C)		Diesel		12580	315	428	01.02-12.06	*	*	
FAK 95.430 (XE 315 C)		Diesel		12580	315	430	01.02-12.06	*	*	
FAK 95.430 (XF 315 M)		Diesel		12580	315	430	01.02-12.06	*	*	
FAN 95.430 (XE 315 C)		Diesel		12580	315	430	01.02-12.06	*	*	
FAR 95.430 (XE 315 C)		Diesel		12580	315	428	09.02-12.06	*	*	
FAS 95.430 (XE 315 C)		Diesel		12580	315	430	01.02-12.06	*	*	
FAT 95.430 (XE 315 C)		Diesel		12580	315	428	01.02-12.06	*	*	
FA 95.480 (XE 355 C)		Diesel		12580	355	483	09.02-12.06	*	*	
FAD 95.480 (XE 355 C)		Diesel		12580	355	483	01.02-12.06	*	*	
FAK 95.480 (XE 355 C)		Diesel		12580	355	480	01.02-12.06	*	*	
FAK 95.480 (XF 355 M)		Diesel		12580	355	480	01.02-12.06	*	*	
FAN 95.480 (XE 355 C)		Diesel		12580	355	480	01.02-12.06	*	*	
FAR 95.480 (XE 355 C)		Diesel		12580	355	483	09.02-12.06	*	*	
FAS 95.480 (XE 355 C)		Diesel		12580	355	480	01.02-12.06	*	*	
FAT 95.480 (XE 355 C)		Diesel		12580	355	480	01.02-12.06	*	*	
FA 95.530 (XE 390 C)		Diesel		12580	390	530	09.02-12.06	*	*	
FAD 95.530 (XE 390 C)		Diesel		12580	390	530	09.02-03.06	*	*	
FAK 95.530 (XE 390 C)		Diesel		12580	390	530	09.02-03.06	*	*	
FAN 95.530 (XE 390 C)		Diesel		12580	390	530	09.02-03.06	*	*	
FAR 95.530 (XE 390 C)		Diesel		12580	390	530	09.02-12.06	*	*	
FAS 95.530 (XE 390 C)		Diesel		12580	390	530	09.02-03.06	*	*	
FAT 95.530 (XE 390 C)		Diesel		12580	390	530	09.02-03.06	*	*	
DENNIS										
OLYMPUS 10.09-							Veh. Municipal			
OL-10N, OL-13W, OL-16W (D7F260)		Diesel		7146	191	260	10.09-	*	*	
OL-14N, OL-16W (D7F260)		Diesel		7146	191	260	10.09-	*	*	
OL-16N, OL-19W (D7F260)		Diesel		7146	191	260	12.09-	*	*	
OL-19N, OL-21W, OL-23W (D7F260)		Diesel		7146	191	260	12.09-	*	*	
OL-19W, OL-21W, OL-23W (D7F260)		Diesel		7146	191	260	12.09-	*	*	
OL-27W (D7F260)		Diesel		7146	191	260	12.09-	*	*	
OL-10N, OL-13W, OL-16W (D7F300)		Diesel		7146	221	301	10.09-	*	*	
OL-14N, OL-16W (D7F300)		Diesel		7146	221	301	12.09-	*	*	
OL-16N, OL-19W (D7F300)		Diesel		7146	221	301	12.09-	*	*	
OL-19N, OL-21W, OL 23W (D7F300)		Diesel		7146	221	301	12.09-	*	*	
OL-19W, OL-21W, OL 23W (D7F300)		Diesel		7146	221	301	12.09-	*	*	
OL-27W (D7F300)		Diesel		7146	221	301	12.09-	*	*	

LISTA DE APLICACIONES - BUYERS GUIDE

ERF

ERF									Caja/Chasis	
ECL 04.02-										
7.28 RD3 / TP3 (D 0836 LF 03)		Diesel		6871	206	280	04.02-	*	*	
ECL 04.02-										
7.28 RD3 / TP3 (D 0836 LF 03)		Diesel		6871	206	280	04.02-	*	*	
ECM 04.02-										
ECM 04.02-										
6.22 RD2		Diesel		5883	162	220	02.03-12.07	*	*	
7.22 RD2 (D 0826 LF15)		Diesel		6871	162	220	04.02-12.07	*	*	
7.22 RD2 (D 0826 LF18)		Diesel		6871	162	220	04.02-12.07	*	*	
7.28 RD2		Diesel		6871	206	280	04.02-12.07	*	*	
7.28 RR3		Diesel		6871	206	208	04.02-12.07	*	*	
ECT 04.02-										
ECT 04.02-										
10.35 ST (D 2066 LF 03)		Diesel		10518	257	350	02.05-	*	*	
10.43 MT, MTL (D 2066 LF 01)		Diesel		10518	316	430	02.05-	*	*	
10.43 ST (D 2066 LF 01)		Diesel		10518	316	430	02.05-	*	*	
11.39 MT, MTL		Diesel		10824	283	385	04.02-	*	*	
11.39 ST		Diesel		10824	283	385	04.02-	*	*	
18.380 FLRS (ISME 385)		Diesel		10824	283	380	07.05-	*	*	
24.380 FPLRS (ISME 385)		Diesel		10824	283	380	07.05-	*	*	
26.380 FPLRS (ISME 385)		Diesel		10824	283	380	07.05-	*	*	
11.42 MT, MTL		Diesel		10824	309	420	04.02-	*	*	
11.42 ST		Diesel		10824	309	420	04.02-	*	*	
18.420 FLRS (ISME 420)		Diesel		10824	309	420	07.05-	*	*	
24.420 FPLRS (ISME 420)		Diesel		10824	309	420	07.05-	*	*	
26.420 FPLRS (ISME 420)		Diesel		10824	309	420	07.05-	*	*	
12.36 ST (D 2866 LF27)		Diesel		11967	265	360	04.02-	*	*	
12.36 ST (D 2866 LF37)		Diesel		11967	265	360	04.02-	*	*	
13.46 DT		Diesel		12816	338	460	04.02-	*	*	
13.46 MT, MTL		Diesel		12816	338	460	04.02-	*	*	
13.48 DT (D 2876 LF 12)		Diesel		12816	353	480	02.05-	*	*	
13.48 MT, MTL (D 2876 LF 12)		Diesel		12816	353	480	02.05-	*	*	
13.48 ST (D 2876 LF 12)		Diesel		12816	353	480	02.05-	*	*	
ECT 04.02-										
ECT 04.02-										
10.35 DB2 (D 2066 LF 03)		Diesel		10518	257	350	02.05-	*	*	
10.35 RDB3 (D 2066 LF 03)		Diesel		10518	257	350	02.05-	*	*	
10.43 DB2 (D 2066 LF 01)		Diesel		10518	316	430	02.05-	*	*	
10.43 RDB3 (D 2066 LF 01)		Diesel		10518	316	430	02.05-	*	*	
11.39 DB2		Diesel		10824	283	385	04.02-	*	*	
11.39 RDB3		Diesel		10824	283	385	04.02-	*	*	
18.380 FLRC (ISME 385)		Diesel		10824	283	380	06.03-	*	*	
26.380 FNLRC, FNLLRC (ISME 385)		Diesel		10824	283	380	06.03-	*	*	
11.42 DB2		Diesel		10824	309	420	04.02-	*	*	
11.42 RDB3		Diesel		10824	309	420	04.02-	*	*	
18.420 FLRC (ISME 420)		Diesel		10824	309	420	06.03-	*	*	
26.420 FNLRC, FNLLRC (ISME 420)		Diesel		10824	309	420	06.03-	*	*	
12.36 DB2 (D 2866 LF27)		Diesel		11967	265	360	04.02-	*	*	
12.36 DB2 (D 2866 LF37)		Diesel		11967	265	360	04.02-	*	*	
13.46 RDB3		Diesel		12816	338	460	04.02-	*	*	
13.48 RDB3 (D 2876 LF 12)		Diesel		12816	353	480	02.05-	*	*	

LISTA DE APLICACIONES - BUYERS GUIDE

ECT 04.02-				Camión volquete				
32.35 BB (D 2066 LF 03)	Diesel		10518	257	350	02.05-	*	*
FRUEHAUF								
Eje/Axle				Eje remolque				
Llanta 22.5" SB 7000						01.53-		*
IRISBUS								
ARES 01.02-12.06				Bus				
12.8m	Diesel		7790	228	310	01.02-12.06	*	*
12.8m	Diesel		7790	259	352	01.02-12.06	*	*
12.0m	Diesel		11123	230	313	01.02-12.06	*	*
12.0m	Diesel		11123	266	362	01.02-12.06	*	*
15.0m	Diesel		11123	266	362	01.02-12.06	*	*
IRIZAR								
PB 09.01-				Bus				
PB 12, PB 13 (MX 300)	Diesel		12903	300	408	10.09-	*	*
PB 14, PB 14.6, PB 16 (MX 300)	Diesel		12903	300	408	10.09-	*	*
PB 12, PB 13 (MX 340)	Diesel		12903	340	462	10.09-	*	*
PB 14, PB 14.6, PB 16 (MX 340)	Diesel		12903	340	462	10.09-	*	*
PB 12, PB 13 (MX 300)	Diesel		12903	375	510	10.09-	*	*
PB 14, PB 14.6, PB 16 (MX 300)	Diesel		12903	375	510	10.09-	*	*
IVECO								
AFRIWAY 03.16-				Bus				
18.28A (F4AE0681A)	Diesel		5883	202	275	03.16-	*	*
18.28M (F4AE0681A)	Diesel		5883	202	275	03.16-	*	*
26.28A (F4AE0681A)	Diesel		5883	202	275	03.16-	*	*
26.28M (F4AE0681A)	Diesel		5883	202	275	03.16-	*	*
EuroCargo I-III 01.91-09.15				Cabeza tractora				
320 E 28 T tector (F4AE0681A)	Diesel		5883	202	275	09.00-09.15	*	*
EuroCargo I-III 01.91-09.15				Caja/Chasis				
180 E 21 tector (F4AE0681C)	Diesel		5883	154	209	09.00-09.15	*	*
180 E 21 tector (F4AE0681D)	Diesel		5883	154	209	09.00-09.15	*	*
180 E 22 tector, 180 E 22 P tector (F4AE3681B)	Diesel		5883	160	218	09.06-09.15	*	*
180 E 24, 180 E 25 tector (F4AE0681B)	Diesel		5883	176	240	09.00-09.15	*	*
180 E 24, 180 E 25 tector (F4AE3681D)	Diesel		5883	176	240	09.00-09.15	*	*
190 EL 25 tector, 190 EL 25 P tector (F4AE3681D)	Diesel		5883	185	252	05.08-09.15	*	*
230 E 25 tector (F4AE3681D)	Diesel		5883	185	251	05.09-09.15	*	*
180 E 28 tector, 180 E 28 P tector (F4AE0681A)	Diesel		5883	202	275	09.00-09.15	*	*
180 E 28 tector, 180 E 28 P tector (F4AE3681E)	Diesel		5883	202	275	09.00-09.15	*	*
225 E 28 tector (F4AE0681A)	Diesel		5883	202	275	09.06-09.15	*	*
230 E 28 tector (F4AE0681A)	Diesel		5883	202	275	09.06-09.15	*	*
190 E 28 tector, 190 E 28 P tector (F4AE3681E)	Diesel		5883	205	279	05.08-09.15	*	*
180 E 30 tector, 180 E 30 P tector (F4AE0681A)	Diesel		5883	220	299	08.06-09.15	*	*
180 E 30 tector, 180 E 30 P tector (F4AE3681A)	Diesel		5883	220	299	08.06-09.15	*	*
190 E 30 tector, 190 E 30 P tector (F4AE3681A)	Diesel		5883	220	299	05.08-09.15	*	*
230 E 30 tector (F4AE3681A)	Diesel		5883	220	299	02.08-09.15	*	*
EuroCargo I-III 01.91-09.15				Camión volquete				
170 E 15 K (8060.25R.4280)	Diesel		5861	105	143	12.91-07.00	*	*
180 E 21 K tector (F4AE0681D)	Diesel		5883	154	209	09.00-09.15	*	*

LISTA DE APLICACIONES - BUYERS GUIDE

180 E 24 K tector (F4AE0681B)	Diesel	5883	176	240	09.00-09.15	*	*
180 E 25 K tector (F4AE3681D)	Diesel	5883	185	252	09.06-09.15	*	*
180 E 28 K tector (F4AE0681A)	Diesel	5883	202	275	09.00-09.15	*	*
180 E 28 K tector (F4AE3681E)	Diesel	5883	202	275	09.00-09.15	*	*
260 E 28 K tector, 260 E 28 KE tector (F4AE0681A)	Diesel	5883	202	275	09.00-09.15	*	*
180 E 30 K tector (F4AE0681A)	Diesel	5883	220	299	09.06-09.15	*	*
180 E 30 K tector (F4AE3681A)	Diesel	5883	220	299	09.06-09.15	*	*
260 E 27 KE (8360.46.417)	Diesel	7685	196	267	09.00-09.15	*	*
260 E 27 KE (8360.46.417 TCA)	Diesel	7685	196	267	09.00-09.15	*	*
EuroRider 01.92-							
391.12.35	Diesel	11995			01.92-	*	*
EuroStar 01.93-10.02							
Cabeza tractora							
LD 400 E 38 TX/P, LD 440 E 38 TX/P (8460.41L TCA)	Diesel	9498	276	375	01.93-02.02	*	*
LD 400 E 38 TX/P, LD 440 E 38 TX/P (8460.41L.5020)	Diesel	9498	276	375	01.93-02.02	*	*
LD 400 E 38 TX/P, LD 440 E 38 TX/P (8460.41N)	Diesel	9498	276	375	01.93-02.02	*	*
LD 440 E 38 T (8460.41L TCA)	Diesel	9498	276	375	01.93-02.02	*	*
LD 440 E 38 T (8460.41N)	Diesel	9498	276	375	01.93-02.02	*	*
LD 440 E 38 TZ (8460.41L TCA)	Diesel	9498	276	375	01.93-02.02	*	*
LD 440 E 38 TZ (8460.41N)	Diesel	9498	276	375	01.93-02.02	*	*
LD 440 E 39 T, LD 440 E 39 T/P (F3AE0681E)	Diesel	10308	287	390	11.99-02.02	*	*
LD 440 E 39 TX, LD 440 E 39 TX/P (F3AE0681E)	Diesel	10308	287	390	11.99-10.02	*	*
LD 440 E 40 T (F3AE0681B)	Diesel	10308	294	400	09.00-02.02	*	*
LD 440 E 40 TX/P (F3AE0681B)	Diesel	10308	294	400	01.01-02.02	*	*
LD 440 E 43 T/P (F3AE0681D)	Diesel	10308	316	430	01.93-02.02	*	*
LD 440 E 43 TX/P (F3AE0681D)	Diesel	10308	316	430	11.99-02.02	*	*
LD 440 E 48 T/P (F3BE0681E)	Diesel	12882	353	480	01.01-02.02	*	*
LD 400 E 42 TX/P, LD 440 E 42 TX/P (8210.42L.)	Diesel	13798	309	420	01.93-02.02	*	*
LD 440 E 42 T/P (8210.42L(TCA))	Diesel	13798	309	420	01.93-02.02	*	*
LD 440 E 42 T/P (8210.42L.)	Diesel	13798	309	420	01.93-02.02	*	*
LD 440 E 42 TZ (8210.42L.)	Diesel	13798	309	420	01.93-02.02	*	*
LD 440 E 47 T/P (8210.42M. TCA)	Diesel	13798	345	469	01.93-02.02	*	*
LD 440 E 47 TZ (8210.42M. TCA)	Diesel	13798	345	469	01.93-02.02	*	*
LD 440 E 52 T (8280.42S. TCA)	Diesel	17173	378	514	01.93-02.02	*	*
LD 440 E 52 TZ (8280.42S. TCA)	Diesel	17173	378	514	01.93-02.02	*	*
EuroStar 01.93-10.02							
Caja/Chasis							
LD 190 E 38 P (8460.41L TCA)	Diesel	9498	276	375	01.93-02.02	*	*
LD 240 E 38 (8460.41L.5020)	Diesel	9498	276	375	01.93-02.02	*	*
LD 240 E 38	Diesel	9498	276	375	01.93-02.02	*	*
LD 260 E 38 P (8460.41L TCA)	Diesel	9498	276	375	01.93-02.02	*	*
LD 190 E 39 P, LD 190 E 39 FP (F3AE0681E)	Diesel	10308	287	390	11.99-02.02	*	*
LD 260 E 39 P, LD 260 E 39 FP (F3AE0681E)	Diesel	10308	287	390	11.99-02.02	*	*
LD 190 E 40 (F3AE0681B)	Diesel	10308	294	400	09.00-02.02	*	*
LD 260 E 40 (F3AE0681B)	Diesel	10308	294	400	09.00-02.02	*	*
LD 260 E 40	Diesel	10308	294	400	09.00-02.02	*	*
LD 190 E 43, LD 190 E 43 P, LD 190 E 43 FP (F3AE0681D)	Diesel	10308	316	430	11.99-02.02	*	*
LD 260 E 43 Y/PS, LD 260 E 43 FP (F3AE0681D)	Diesel	10308	316	430	01.93-02.02	*	*
LD 260 E 43 Y/PS, LD 260 E 43 FP	Diesel	10308	316	430	01.93-02.02	*	*
LD 260 E 48 Y/PS (F3BE0681E)	Diesel	12882	353	480	01.93-02.02	*	*
LD 190 E 42, LD 190 E 42 P (8210.42L(TCA))	Diesel	13798	309	420	01.93-02.02	*	*

LISTA DE APLICACIONES - BUYERS GUIDE

LD 190 E 42, LD 190 E 42 P (8210.42L.400)	Diesel		13798	309	420	01.93-02.02	*	*	
LD 240 E 42 FS, LD 240 E 42 PS (8210.42L(TCA))	Diesel		13798	309	420	01.93-02.02	*		
LD 240 E 42 FS, LD 240 E 42 PS (8210.42L.400)	Diesel		13798	309	420	01.93-02.02	*		
LD 240 E 42 FS, LD 240 E 42 PS	Diesel		13798	309	420	01.93-02.02	*		
LD 260 E 42 P (8210.42L.)	Diesel		13798	309	420	01.93-02.02	*	*	
LD 190 E 47 (8210.42M. TCA)	Diesel		13798	345	469	01.93-02.02	*	*	
LD 240 E 47 PS (8210.42M. TCA)	Diesel		13798	345	469	01.93-02.02	*		
LD 240 E 47 PS	Diesel		13798	345	469	01.93-02.02	*		
LD 260 E 47 (8210.42M. TCA)	Diesel		13798	345	469	01.93-02.02	*	*	
LD 190 E 52 (8280.42S. TCA)	Diesel		17173	378	514	01.93-02.02	*		
LD 240 E 52 PS (8280.42S. TCA)	Diesel		17173	378	514	01.93-02.02	*		
LD 240 E 52 PS	Diesel		17173	378	514	01.93-02.02	*		
LD 260 E 52 (8280.42S. TCA)	Diesel		17173	378	514	01.93-02.02	*	*	
EuroTech MH 01.98-							Cabeza tractora		
400 E 31 TP, 440 E 31 T, 440 E 31 TP (F2BE0681B)	Diesel		7790	228	310	09.98-	*	*	
400 E 35 TP, 440 E 35 T, 440 E 35 T/P, 440 E 35 T/FP (F2BE0681A)	Diesel		7790	259	352	09.98-	*	*	
440 E 35 TX/P (F2BE0681A)	Diesel		7790	259	352	02.00-	*		
EuroTech MH 01.98-							Caja/Chasis		
190 E 24, 190 E 24 /P (F2BE0681D)	Diesel		7790	180	245	09.98-	*	*	
260 E 24 Y/P, 260 E 24 Y/PS, 260 E 24 Y/PT (F2BE0681D)	Diesel		7790	180	245	11.99-	*	*	
260 E 24 Y/P, 260 E 24 Y/PS, 260 E 24 Y/PT	Diesel		7790	180	245	11.99-	*		
190 E 27, 190 E 27 /P (F2BE0681C)	Diesel		7790	200	272	09.98-	*	*	
190 E 27, 190 E 27 /P (F2BE0681F)	Diesel		7790	200	272	09.98-	*	*	
260 E 27 Y/P, 260 E 27 Y/PS, 260 E 27 RY/PS, 260 E 27 RY/PT (F2BE0681C)	Diesel		7790	200	272	11.99-	*	*	
260 E 27 Y/P, 260 E 27 Y/PS, 260 E 27 RY/PS, 260 E 27 RY/PT (F2BE0681F)	Diesel		7790	200	272	11.99-	*	*	
260 E 27 Y/P, 260 E 27 Y/PS, 260 E 27 RY/PS, 260 E 27 RY/PT	Diesel		7790	200	272	11.99-	*		
190 E 30, 190 E 30 /P (F2BE0681E)	Diesel		7790	218	296	01.00-	*		
260 E 30 Y/PS (F2BE0681E)	Diesel		7790	218	296	01.00-	*		
260 E 30 Y/PS	Diesel		7790	218	296	01.00-	*		
190 E 31, 190 E 31 /P (F2BE0681B)	Diesel		7790	228	310	09.98-	*	*	
260 E 31 Y/P, 260 E 31 Y/PS, 260 E 31 Y/PT (F2BE0681B)	Diesel		7790	228	310	11.99-	*	*	
260 E 31 Y/P, 260 E 31 Y/PS, 260 E 31 Y/PT	Diesel		7790	228	310	11.99-	*		
190 E 35, 190 E 35 /P, 190 E 35 /FP (F2BE0681A)	Diesel		7790	259	352	09.98-	*	*	
260 E 35 Y/P, 260 E 35 Y/PT, 260 E 35 Y/TN (F2BE0681A)	Diesel		7790	259	352	11.99-	*	*	
260 E 35 Y/P, 260 E 35 Y/PT, 260 E 35 Y/TN	Diesel		7790	259	352	11.99-	*		
EuroTech MH 01.98-							Camión volquete		
190 E 24 K (F2BE0681D)	Diesel		7790	180	245	09.98-	*	*	
190 E 27 K (F2BE0681C)	Diesel		7790	200	272	09.98-	*	*	
190 E 27 K (F2BE0681F)	Diesel		7790	200	272	09.98-	*	*	
190 E 31 K (F2BE0681B)	Diesel		7790	228	310	09.98-	*	*	
EuroTech MP 01.92-							Cabeza tractora		
400 E 34 T, 440 E 34 T (8460.41K.406)	Diesel		9498	254	345	01.92-	*		
400 E 38 T, 440 E 38 T, 440 E 38 T /P (8460.41L.5020)	Diesel		9498	276	375	01.92-	*		
400 E 38 T, 440 E 38 T, 440 E 38 T /P (8460.41N)	Diesel		9498	276	375	01.92-	*		
400 E 38 TXP (8460.41L.5020)	Diesel		9498	276	375	11.93-12.96	*		
400 E 38 TXP (8460.41N)	Diesel		9498	276	375	11.93-12.96	*		

LISTA DE APLICACIONES - BUYERS GUIDE

440 E 38 TZ (8460.41L TCA)	Diesel	9498	276	375	01.93-	*	*
440 E 39 T, 440 E 39 T/P, 440 E 39 T/FP-CT (F3AE0681E)	Diesel	10308	287	390	11.99-	*	
440 E 39 TX/P (F3AE0681E)	Diesel	10308	287	390	11.99-	*	
440 E 40 T/P (F3AE0681B)	Diesel	10308	294	400	09.00-	*	
440 E 40 TX/P (F3AE0681B)	Diesel	10308	294	400	01.01-	*	
440 E 43 T, 440 E 43 T/P (F3AE0681D)	Diesel	10308	316	430	11.99-	*	
440 E 43 TX/P (F3AE0681D)	Diesel	10308	316	430	11.99-	*	
400 E 42 T, 440 E 42 T, 440 E 42 T/P (8210.42L TCA))	Diesel	13798	309	420	01.92-	*	
400 E 42 T, 440 E 42 T, 440 E 42 T/P (8210.42L.400)	Diesel	13798	309	420	01.92-	*	
440 E 42 TZ (8210.42L.400)	Diesel	13798	309	420	01.93-	*	*
4500	Diesel	14015	321	437	01.02-	*	*
4500	Diesel	14015	351	477	01.02-	*	*
4500	Diesel	14015	373	507	01.02-	*	*
4500	Diesel	14951	410	558	01.02-	*	*
EuroTech MP 01.92-						Caja/Chasis	
240 E 30 PS (8460.41C. TCA)	Diesel	9498	221	301	01.97-	*	
180 E 34 (8460.41K.406)	Diesel	9498	254	345	01.92-12.93	*	
190 E 34 (8460.41K.406)	Diesel	9498	254	345	01.93-	*	
240 E 34 (8460.41K. TCA)	Diesel	9498	254	345	09.95-12.96	*	
180 E 38 (8460.41L.5020)	Diesel	9498	276	375	01.92-12.93	*	
190 E 38 (8460.41L TCA)	Diesel	9498	276	375	01.93-	*	
240 E 38 (8460.41L.5020)	Diesel	9498	276	375	01.92-	*	
240 E 38	Diesel	9498	276	375	01.92-	*	
260 E 38 P (8460.41N)	Diesel	9498	276	375	01.94-	*	
190 E 39, 190 E 39 /P, 190 E39 /FP (F3AE0681E)	Diesel	10308	287	390	11.99-	*	
260 E 39 Y, 260 E 39 Y/P, 260 E 39 Y/FP, 260 E 39 Y/FS (F3AE0681E)	Diesel	10308	287	390	11.99-	*	
190 E 40 /P (F3AE0681B)	Diesel	10308	294	400	01.01-	*	
260 E 40 (F3AE0681B)	Diesel	10308	294	400	01.01-	*	
260 E 40	Diesel	10308	294	400	01.01-	*	
190 E 43, 190 E 43 /P (F3AE0681D)	Diesel	10308	316	430	01.01-	*	
260 E 43 Y, 260 E 43 Y/P (F3AE0681D)	Diesel	10308	316	430	11.99-	*	
180 E 42 (8210.42L.400)	Diesel	13798	309	420	01.92-12.93	*	
190 E 42, 190 E 42 /P (8210.42L.400)	Diesel	13798	309	420	01.93-	*	
240 E 42 (8210.42L.400)	Diesel	13798	309	420	01.92-	*	
240 E 42	Diesel	13798	309	420	01.92-	*	
260 E 42 (8210.42L.400)	Diesel	13798	309	420	01.94-	*	
EuroTech MT 01.92-08.98						Cabeza tractora	
400 E 30 T (8460.41C.320)	Diesel	9498	221	301	01.92-08.98	*	*
400 E 34 T (8460.41K.406)	Diesel	9498	254	345	01.92-08.98	*	*
EuroTech MT 01.92-08.98						Caja/Chasis	
180 E 24 (8360.46R.416 TCA)	Diesel	7685	176	239	01.92-12.96	*	*
190 E 24 (8360.46R.416 TCA)	Diesel	7685	176	239	01.97-08.98	*	*
180 E 27 (8360.46.417 TCA)	Diesel	7685	196	267	01.92-12.96	*	*
190 E 27 (8360.46.417 TCA)	Diesel	7685	196	267	01.97-08.98	*	*
180 E 30 R (8460.41C.320)	Diesel	9498	221	301	01.92-12.96	*	*
190 E 30 (8460.41C.320)	Diesel	9498	221	301	01.97-08.98	*	*
180 E 34 R (8460.41K.406)	Diesel	9498	254	345	01.92-12.93	*	*

LISTA DE APLICACIONES - BUYERS GUIDE

EuroTech MT 01.92-08.98					Camión volquete				
180 E 24 K (8360.46R.416 TCA)		Diesel		7685	176	239	01.93-12.96	*	*
190 E 24 K (8360.46R.416 TCA)		Diesel		7685	176	239	01.97-08.98	*	*
180 E 27 K (8360.46.417 TCA)		Diesel		7685	196	267	01.92-12.96	*	*
190 E 27 K (8360.46.417 TCA)		Diesel		7685	196	267	01.97-08.98	*	*
190 E 30 K (8460.41C.320)		Diesel		9498	221	301	01.97-08.98	*	*
EuroTrakker 01.93-12.06					Cabeza tractora				
MP 400 E 35 HT Cursor (F2BE0681A)		Diesel		7790	259	352	01.00-11.04	*	*
MP 400 E 34 HT (8460.41K.)		Diesel		9498	254	345	01.93-11.04	*	*
MP 400 E 34 HT (8460.41K. TCA)		Diesel		9498	254	345	01.93-11.04	*	*
MP 440 E 34 HT (8460.41K.)		Diesel		9498	254	345	01.93-11.04	*	*
MP 440 E 34 HT (8460.41K. TCA)		Diesel		9498	254	345	01.93-11.04	*	*
MP 440 E 38 HT Cursor (F3BE0681G)		Diesel		12882	279	380	01.01-11.04	*	*
MP 720 E 38 HT Cursor (F3BE0681G)		Diesel		12882	279	380	01.01-11.04	*	*
MP 440 E 44 HT Cursor (F3BE0681C)		Diesel		12882	324	440	01.01-11.04	*	*
MP 720 E 44 HT Cursor (F3BE0681C)		Diesel		12882	324	440	01.01-11.04	*	*
MP 720 E 48 HT Cursor (F3BE0681E)		Diesel		12882	354	480	01.01-11.04	*	*
MP 400 E 37 HT (8210.42K(TCA))		Diesel		13798	272	370	01.93-11.04	*	*
MP 400 E 37 HT (8210.42K.)		Diesel		13798	272	370	01.93-11.04	*	*
MP 400 E 37 WT (8210.42K(TCA))		Diesel		13798	272	370	01.93-11.04	*	*
MP 400 E 37 WT (8210.42K.)		Diesel		13798	272	370	01.93-11.04	*	*
MP 440 E 37 HT (8210.42K(TCA))		Diesel		13798	272	370	01.93-11.04	*	*
MP 440 E 37 HT (8210.42K.)		Diesel		13798	272	370	01.93-11.04	*	*
MP 720 E 37 HT (8210.42K(TCA))		Diesel		13798	272	370	01.93-11.04	*	*
MP 720 E 37 HT (8210.42K.)		Diesel		13798	272	370	01.93-11.04	*	*
MP 720 E 37 WT (8210.42K(TCA))		Diesel		13798	272	370	01.93-11.04	*	*
MP 720 E 37 WT (8210.42K.)		Diesel		13798	272	370	01.93-11.04	*	*
MP 400 E 42 HT (8210.42L(TCA))		Diesel		13798	309	420	01.93-11.04	*	*
MP 400 E 42 HT (8210.42L.)		Diesel		13798	309	420	01.93-11.04	*	*
MP 400 E 42 WT (8210.42L(TCA))		Diesel		13798	309	420	01.93-11.04	*	*
MP 400 E 42 WT (8210.42L.)		Diesel		13798	309	420	01.93-11.04	*	*
MP 440 E 42 HT (8210.42L(TCA))		Diesel		13798	309	420	01.93-11.04	*	*
MP 440 E 42 HT (8210.42L.)		Diesel		13798	309	420	01.93-11.04	*	*
MP 720 E 42 HT (8210.42L(TCA))		Diesel		13798	309	420	01.93-11.04	*	*
MP 720 E 42 HT (8210.42L.)		Diesel		13798	309	420	01.93-11.04	*	*
MP 720 E 42 WT (8210.42L(TCA))		Diesel		13798	309	420	01.93-11.04	*	*
MP 720 E 42 WT (8210.42L.)		Diesel		13798	309	420	01.93-11.04	*	*
MP 440 E 47 HT (8210.42M. TCA)		Diesel		13798	345	470	11.99-11.04	*	*
MP 720 E 47 HT (8210.42M. TCA)		Diesel		13798	345	469	01.93-11.04	*	*
EuroTrakker 01.93-12.06					Caja/Chasis				
MP 180 E 24 W Cursor (F2BE0681D)		Diesel		7790	180	245	09.99-11.04	*	*
MP 190 E 24 H Cursor (F2BE0681D)		Diesel		7790	180	245	09.99-11.04	*	*
MP 190 E 31 H Cursor (F2BE0681B)		Diesel		7790	228	310	09.99-11.04	*	*
MP 190 E 31 W Cursor (F2BE0681B)		Diesel		7790	228	310	09.99-11.04	*	*
MP 260 E 27 H Cursor (F2BE0681B)		Diesel		7790	228	310	11.99-11.04	*	*
MP 260 E 31 H Cursor (F2BE0681B)		Diesel		7790	228	310	09.99-11.04	*	*
MP 190 E 35 H Cursor (F2BE0681A)		Diesel		7790	259	352	09.99-11.04	*	*
MP 190 E 35 W Cursor (F2BE0681A)		Diesel		7790	259	352	09.99-11.04	*	*
MP 260 E 35 H Cursor (F2BE0681A)		Diesel		7790	259	352	01.00-11.04	*	*
MP 260 E 35 W Cursor (F2BE0681A)		Diesel		7790	259	352	09.99-11.04	*	*

LISTA DE APLICACIONES - BUYERS GUIDE

MP 340 E 35 H Cursor (F2BE0681A)	Diesel	7790	259	352	09.99-11.04	*	*
MP 380 E 35 H Cursor (F2BE0681A)	Diesel	7790	259	352	01.00-11.04	*	*
MP 380 E 35 W Cursor (F2BE0681A)	Diesel	7790	259	352	01.00-11.04	*	*
MP 410 E 35 H Cursor (F2BE0681A)	Diesel	7790	259	352	01.00-11.04	*	*
MP 180 E 25 W (8460.41 T)	Diesel	9498	185	251	05.99-11.04	*	*
MP 190 E 30 W (8460.41C.)	Diesel	9498	221	301	11.99-11.04	*	*
MP 190 E 34 W (8460.41K. TCA)	Diesel	9498	254	345	11.99-11.04	*	*
MP 260 E 34 H (8460.41K.)	Diesel	9498	254	345	11.99-11.04	*	*
MP 260 E 34 H (8460.41K. TCA)	Diesel	9498	254	345	11.99-11.04	*	*
MP 260 E 34 W (8460.41K.)	Diesel	9498	254	345	11.99-11.04	*	*
MP 260 E 34 W (8460.41K. TCA)	Diesel	9498	254	345	11.99-11.04	*	*
MP 340 E 34 H (8460.41K.)	Diesel	9498	254	345	11.99-11.04	*	*
MP 340 E 34 H (8460.41K. TCA)	Diesel	9498	254	345	11.99-11.04	*	*
MP 380 E 34 H (8460.41K.)	Diesel	9498	254	345	11.99-11.04	*	*
MP 380 E 34 H (8460.41K. TCA)	Diesel	9498	254	345	11.99-11.04	*	*
MP 380 E 34 W (8460.41K.)	Diesel	9498	254	345	11.99-11.04	*	*
MP 380 E 34 W (8460.41K. TCA)	Diesel	9498	254	345	11.99-11.04	*	*
MP 190 E 38 W Cursor (F3BE0681G)	Diesel	12882	280	380	01.01-11.04	*	*
MP 260 E 38 H Cursor (F3BE0681G)	Diesel	12882	280	380	01.01-11.04	*	*
MP 260 E 38 W Cursor (F3BE0681G)	Diesel	12882	280	380	01.01-11.04	*	*
MP 340 E 38 H Cursor (F3BE0681G)	Diesel	12882	280	380	01.01-11.04	*	*
MP 380 E 38 H Cursor (F3BE0681G)	Diesel	12882	280	380	01.01-11.04	*	*
MP 380 E 38 W Cursor (F3BE0681G)	Diesel	12882	280	380	01.01-11.04	*	*
MP 410 E 38 H Cursor (F3BE0681G)	Diesel	12882	280	380	01.01-11.04	*	*
MP 190 E 44 W Cursor (F3BE0681C)	Diesel	12882	324	440	09.00-11.04	*	*
MP 260 E 44 H Cursor (F3BE0681C)	Diesel	12882	324	440	01.00-11.04	*	*
MP 260 E 44 W Cursor (F3BE0681C)	Diesel	12882	324	440	01.01-11.04	*	*
MP 340 E 44 H Cursor (F3BE0681C)	Diesel	12882	324	440	01.01-11.04	*	*
MP 380 E 44 H Cursor (F3BE0681C)	Diesel	12882	324	440	01.01-11.04	*	*
MP 380 E 44 W Cursor (F3BE0681C)	Diesel	12882	324	440	01.01-11.04	*	*
MP 410 E 44 H Cursor (F3BE0681C)	Diesel	12882	324	440	01.01-11.04	*	*
MP 190 E 37 H (8210.42K(TCA))	Diesel	13798	272	370	01.00-11.04	*	*
MP 190 E 37 W (8210.42K(TCA))	Diesel	13798	272	370	11.99-11.04	*	*
MP 260 E 37 W (8210.42K(TCA))	Diesel	13798	272	370	11.99-11.04	*	*
MP 260 E 37 W (8210.42K.)	Diesel	13798	272	370	11.99-11.04	*	*
MP 340 E 37 H (8210.42K(TCA))	Diesel	13798	272	370	11.99-11.04	*	*
MP 340 E 37 H (8210.42K.)	Diesel	13798	272	370	11.99-11.04	*	*
MP 380 E 37 H (8210.42K(TCA))	Diesel	13798	272	370	01.98-11.04	*	*
MP 380 E 37 H (8210.42K.)	Diesel	13798	272	370	01.98-11.04	*	*
MP 380 E 37 W (8210.42K(TCA))	Diesel	13798	272	370	11.99-11.04	*	*
MP 380 E 37 W (8210.42K.)	Diesel	13798	272	370	11.99-11.04	*	*
MP 410 E 37 H (8210.42K(TCA))	Diesel	13798	272	370	11.99-11.04	*	*
MP 410 E 37 W (8210.42K(TCA))	Diesel	13798	272	370	11.99-11.04	*	*
MP 190 E 42 H (8210.42L(TCA))	Diesel	13798	309	420	11.99-11.04	*	*
MP 190 E 42 H (8210.42L.)	Diesel	13798	309	420	11.99-11.04	*	*
MP 260 E 42 H (8210.42L(TCA))	Diesel	13798	309	420	11.99-11.04	*	*
MP 340 E 42 H (8210.42L(TCA))	Diesel	13798	309	420	11.99-11.04	*	*
MP 340 E 42 H (8210.42L.)	Diesel	13798	309	420	11.99-11.04	*	*
MP 380 E 42 H (8210.42L(TCA))	Diesel	13798	309	420	01.93-11.04	*	*
MP 380 E 42 H (8210.42L.)	Diesel	13798	309	420	01.93-11.04	*	*
MP 380 E 42 W (8210.42L(TCA))	Diesel	13798	309	420	11.99-11.04	*	*

LISTA DE APLICACIONES - BUYERS GUIDE

MP 380 E 42 W (8210.42L.)	Diesel	13798	309	420	11.99-11.04	*	*
MP 410 E 42 H (8210.42L(TCA))	Diesel	13798	309	420	11.99-11.04	*	*
MP 410 E 42 W (8210.42L(TCA))	Diesel	13798	309	420	01.93-11.04	*	*
MP 410 E 42 W (8210.42L.)	Diesel	13798	309	420	01.93-11.04	*	*
MP 190 E 47 W (8210.42M. TCA)	Diesel	13798	345	470	11.99-11.04	*	*
MP 260 E 47 H (8210.42M. TCA)	Diesel	13798	345	469	11.99-11.04	*	*
MP 260 E 47 W (8210.42M. TCA)	Diesel	13798	345	469	11.99-11.04	*	*
MP 380 E 47 H (8210.42M. TCA)	Diesel	13798	345	470	11.99-11.04	*	*
MP 380 E 47 W (8210.42M. TCA)	Diesel	13798	345	470	11.99-11.04	*	*
MP 410 E 47 H (8210.42M. TCA)	Diesel	13798	345	470	11.99-11.04	*	*
MP 410 E 47 W (8210.42M. TCA)	Diesel	13798	345	470	11.99-11.04	*	*
EuroTrakker 01.93-12.06				Camión volquete			
MP 190 E 31 H Cursor (F2BE0681B)	Diesel	7790	228	310	09.99-11.04	*	*
MP 190 E 31 W Cursor (F2BE0681B)	Diesel	7790	228	310	09.99-11.04	*	*
MP 260 E 31 H Cursor (F2BE0681B)	Diesel	7790	228	310	09.99-11.04	*	*
MP 190 E 35 H Cursor (F2BE0681A)	Diesel	7790	259	352	09.99-11.04	*	*
MP 190 E 35 W Cursor (F2BE0681A)	Diesel	7790	259	352	09.99-11.04	*	*
MP 260 E 35 H Cursor (F2BE0681A)	Diesel	7790	259	352	01.00-11.04	*	*
MP 260 E 35 W Cursor (F2BE0681A)	Diesel	7790	259	352	09.99-11.04	*	*
MP 340 E 35 H Cursor (F2BE0681A)	Diesel	7790	259	352	09.99-11.04	*	*
MP 190 E 30 H (8460.41C.)	Diesel	9498	221	301	01.93-11.04	*	*
MP 190 E 30 W (8460.41C.)	Diesel	9498	221	301	01.93-11.04	*	*
MP 260 E 30 H (8460.41C.)	Diesel	9498	221	301	01.93-11.04	*	*
MP 260 E 30 W (8460.41C.)	Diesel	9498	221	301	11.99-11.04	*	*
MP 260 E 30 W (8460.41C. TCA)	Diesel	9498	221	301	11.99-11.04	*	*
MP 190 E 34 H (8460.41K.)	Diesel	9498	254	345	01.93-11.04	*	*
MP 190 E 34 W (8460.41K.)	Diesel	9498	254	345	01.93-11.04	*	*
MP 260 E 34 H (8460.41K.)	Diesel	9498	254	345	01.93-11.04	*	*
MP 260 E 34 W (8460.41K.)	Diesel	9498	254	345	01.93-11.04	*	*
MP 340 E 34 H (8460.41K.)	Diesel	9498	254	345	01.93-11.04	*	*
MP 380 E 34 H (8460.41K.)	Diesel	9498	254	345	01.93-11.04	*	*
MP 190 E 38 W Cursor (F3BE0681G)	Diesel	12882	280	380	01.01-11.04	*	*
MP 260 E 38 H Cursor (F3BE0681G)	Diesel	12882	280	380	01.01-11.04	*	*
MP 260 E 38 W Cursor (F3BE0681G)	Diesel	12882	280	380	01.01-11.04	*	*
MP 340 E 38 H Cursor (F3BE0681G)	Diesel	12882	280	380	01.01-11.04	*	*
MP 380 E 38 H Cursor (F3BE0681G)	Diesel	12882	280	380	01.01-11.04	*	*
MP 380 E 38 W Cursor (F3BE0681G)	Diesel	12882	280	380	01.01-11.04	*	*
MP 410 E 38 H Cursor (F3BE0681G)	Diesel	12882	280	380	01.01-11.04	*	*
MP 190 E 44 W Cursor (F3BE0681C)	Diesel	12882	324	440	09.00-11.04	*	*
MP 260 E 44 H Cursor (F3BE0681C)	Diesel	12882	324	440	01.01-11.04	*	*
MP 260 E 44 W Cursor (F3BE0681C)	Diesel	12882	324	440	01.01-11.04	*	*
MP 340 E 44 H Cursor (F3BE0681C)	Diesel	12882	324	440	01.01-11.04	*	*
MP 380 E 44 H Cursor (F3BE0681C)	Diesel	12882	324	440	01.01-11.04	*	*
MP 380 E 44 W Cursor (F3BE0681C)	Diesel	12882	324	440	01.01-11.04	*	*
MP 410 E 44 H Cursor (F3BE0681C)	Diesel	12882	324	440	01.01-11.04	*	*
MP 190 E 37 H (8210.42K.)	Diesel	13798	272	370	01.93-11.04	*	*
MP 190 E 37 W (8210.42K.)	Diesel	13798	272	370	01.93-11.04	*	*
MP 260 E 37 H (8210.42K.)	Diesel	13798	272	370	01.93-11.04	*	*
MP 260 E 37 W (8210.42K.)	Diesel	13798	272	370	01.93-11.04	*	*
MP 340 E 37 H (8210.42K.)	Diesel	13798	272	370	01.93-11.04	*	*
MP 380 E 37 H (8210.42K.)	Diesel	13798	272	370	01.93-11.04	*	*

LISTA DE APLICACIONES - BUYERS GUIDE

MP 380 E 37 W (8210.42K.)		Diesel		13798	272	370	01.93-11.04	*	*	
MP 410 E 37 H (8210.42K.)		Diesel		13798	272	370	01.93-11.04	*	*	
MP 190 E 42 H (8210.42L.)		Diesel		13798	309	420	01.93-11.04	*	*	
MP 190 E 42 W (8210.42L(TCA))		Diesel		13798	309	420	01.93-11.04	*	*	
MP 190 E 42 W (8210.42L.)		Diesel		13798	309	420	01.93-11.04	*	*	
MP 260 E 42 H (8210.42L.)		Diesel		13798	309	420	01.93-11.04	*	*	
MP 260 E 42 W (8210.42L(TCA))		Diesel		13798	309	420	01.93-11.04	*	*	
MP 260 E 42 W (8210.42L.)		Diesel		13798	309	420	01.93-11.04	*	*	
MP 340 E 42 H (8210.42L.)		Diesel		13798	309	420	01.93-11.04	*	*	
MP 380 E 42 H (8210.42L.)		Diesel		13798	309	420	01.93-11.04	*	*	
MP 380 E 42 W (8210.42L.)		Diesel		13798	309	420	01.93-11.04	*	*	
MP 410 E 42 H (8210.42L.)		Diesel		13798	309	420	01.93-11.04	*	*	
EuroTrakker 01.93-12.06							Hormigonera			
MP 260 E 31 HB Cursor (F2BE0681B)		Diesel		7790	228	310	11.99-11.04	*	*	
MP 340 E 35 HB Cursor (F2BE0681A)		Diesel		7790	259	352	01.01-11.04	*	*	
MP 340 E 38 HB Cursor (F3BE0681G)		Diesel		12882	280	380	01.01-11.04	*	*	
MP 380 E 38 HB Cursor (F3BE0681G)		Diesel		12882	280	380	01.01-11.04	*	*	
MP 410 E 38 HB Cursor (F3BE0681G)		Diesel		12882	280	380	01.01-11.04	*	*	
MP 340 E 44 HB Cursor (F3BE0681C)		Diesel		12882	324	440	01.01-11.04	*	*	
MP 380 E 44 HB Cursor (F3BE0681C)		Diesel		12882	324	440	01.01-11.04	*	*	
MP 410 E 44 HB Cursor (F3BE0681C)		Diesel		12882	324	440	01.01-11.04	*	*	
Stralis 02.02-							Cabeza tractora			
AD 440S31, AT 440S31 (F2BE0681B)		Diesel		7790	228	310	06.03-	*	*	
AD 440S33, AT 440S33 (F2BE3681B)		Diesel		7790	243	330	12.06-	*	*	
AD 440S35, AT 440S35, AD 440S36, AT 440S36 (F2BE0681A)		Diesel		7790	259	352	06.03-	*	*	
AD 440S35, AT 440S35, AD 440S36, AT 440S36 (F2BE3681A)		Diesel		7790	259	352	06.03-	*	*	
AD 440S40, AT 440S40 (F3AE0681B)		Diesel		10308	294	400	06.03-	*	*	
AD 440S40, AT 440S40 (F3AE0681H)		Diesel		10308	294	400	06.03-	*	*	
AD 440S40, AT 440S40 (F3AE0681B)		Diesel		10308	294	400	06.03-	*	*	
AD 440S40, AT 440S40 (F3AE0681B)		Diesel		10308	294	400	03.03-	*	*	
AD 440S40, AT 440S40 (F3AE0681H)		Diesel		10308	294	400	03.03-	*	*	
AS 440S40 (F3AE0681B)		Diesel		10308	294	400	02.02-	*	*	
AS 440S40 (F3AE0681H)		Diesel		10308	294	400	02.02-	*	*	
AS 440S40 (F3AE0681B)		Diesel		10308	294	400	02.02-	*	*	
AS 440S40 (F3AE0681H)		Diesel		10308	294	400	02.02-	*	*	
AD 440S42, AT 440S42 (F3AE3681B)		Diesel		10308	310	422	04.06-	*	*	
AD 440S42, AT 440S42 (F3AE3681D)		Diesel		10308	310	422	04.06-	*	*	
AS 440S42 (F3AE3681B)		Diesel		10308	310	420	01.06-	*	*	
AS 440S42 (F3AE3681D)		Diesel		10308	310	420	01.06-	*	*	
AS 440S42 (F3AE3681B)		Diesel		10308	310	420	07.06-	*	*	
AS 440S42, AT 440S42 (F3AE3681B)		Diesel		10308	310	422	12.06-	*	*	
AT 440S42 (F3AE3681B)		Diesel		10308	310	420	07.06-	*	*	
AD 440S43, AT 440S43 (F3AE0681D)		Diesel		10308	316	430	06.03-	*	*	
AD 440S43, AT 440S43 (F3AE0681D)		Diesel		10308	316	430	06.03-	*	*	
AS 440S43 (F3AE0681D)		Diesel		10308	316	430	02.02-	*	*	
AS 440S43 (F3AE0681D)		Diesel		10308	316	430	02.02-	*	*	
AT 440S43 (F3AE0681D)		Diesel		10308	316	430	06.03-	*	*	
AT 440S43 (F3AE0681D)		Diesel		10308	316	430	06.03-	*	*	
AD 440S45, AT 440S45 (F3AE3681A)		Diesel		10308	331	450	12.06-	*	*	
AS 440S45 (F3AE3681A)		Diesel		10308	331	450	12.06-	*	*	

LISTA DE APLICACIONES - BUYERS GUIDE

AS 440S45, AT 440S45 (F3AE3681A)	Diesel		10308	331	450	12.06-	*	*	
AS 440S45, AT 440S45 (F3AE3681A)	Diesel		10308	331	450	12.06-	*	*	
AT 440S45 (F3AE3681A)	Diesel		10308	331	450	07.06-	*	*	
AS 440S46	Diesel		10308	338	460	12.09-	*		
AS 440S54, ES 440S54 (F3BE0681A)	Diesel		12880	397	540	02.02-	*	*	
AS 440S56 (F3B3681A)	Diesel		12880	412	560	05.06-	*	*	
AS 440S56 (F3HFE611/560)	Diesel		12880	412	560	05.06-	*	*	
AS 440S48 (F3BE0681E)	Diesel		12882	353	480	02.02-	*	*	
AS 440S48 (F3BE0681E)	Diesel		12882	353	480	02.02-	*	*	
AS 440S48 (F3BE0681E)	Diesel		12882	353	480	02.02-	*	*	
AS 440S48 (F3BE0681E)	Diesel		12882	353	480	02.02-	*	*	
ES 440S48 (F3BE0681E)	Diesel		12882	353	480	10.04-	*	*	
AS 440S50 (F3B3681B)	Diesel		12882	368	500	12.06-	*	*	
AS 440S50 (F3HFE611/500)	Diesel		12882	368	500	12.06-	*	*	
AS 440S50 (F3B3681B)	Diesel		12882	368	500	07.06-	*	*	
AS 440S50 (F3HFE611/500)	Diesel		12882	368	500	07.06-	*	*	
AS 440S50, AT 440S50 (F3B3681B)	Diesel		12882	368	500	12.06-12.12	*	*	
AS 440S50, AT 440S50 (F3B3681B)	Diesel		12882	368	500	12.06-	*	*	
AS 440S50, AT 440S50 (F3HFE611/500)	Diesel		12882	368	500	12.06-	*	*	
AS 440S54 (F3BE0681A)	Diesel		12882	397	540	02.02-	*	*	
AS 440S54 (F3BE0681A)	Diesel		12882	397	540	02.02-	*	*	
AS 440S54 (F3BE0681A)	Diesel		12882	397	540	02.02-	*	*	
AS 440S56 (F3B3681A)	Diesel		12882	412	560	07.06-	*	*	
AS 440S56 (F3HFE611/560)	Diesel		12882	412	560	07.06-	*	*	
AS 440S56, AT 440S56 (F3B3681A)	Diesel		12882	412	560	12.06-	*	*	
AS 440S56, AT 440S56 (F3B3681A)	Diesel		12882	412	560	12.06-	*	*	
AS 440S56, AT 440S56 (F3HFE611/560)	Diesel		12882	412	560	12.06-	*	*	
Stralis 02.02-							Cabeza tractora		
AT 440S33 CNG (F2GE0682A)	Gasolina		7790	243	330	01.13-	*		
Stralis 02.02-							Caja/Chasis		
AD 190S27, AT 190S27 (F2BE0681C)	Diesel		7790	200	272	06.03-	*	*	
AD 190S27, AT 190S27 (F2BE0681F)	Diesel		7790	200	272	06.03-	*	*	
AD 190S30, AD 190S31, AT 190S31 (F2BE0681B)	Diesel		7790	218	296	06.03-	*	*	
AD 190S30, AD 190S31, AT 190S31 (F2BE0681E)	Diesel		7790	218	296	06.03-	*	*	
AD 190S30, AD 190S31, AT 190S31 (F2BE3681C)	Diesel		7790	218	296	06.03-	*	*	
AD 260S30, AT 260S30 (F2BE0681E)	Diesel		7790	218	296	10.05-	*	*	
AD 260S31, AT 260S31 (F2BE0681B)	Diesel		7790	228	310	06.03-	*	*	
AD 260S31, AT 260S31 (F2BE3681C)	Diesel		7790	228	310	06.03-	*	*	
AD 260S31, AT 260S31	Diesel		7790	228	310	06.03-	*		
AD 190S33, AT 190S33 (F2BE3681B)	Diesel		7790	243	330	12.06-	*	*	
AD 260S33, AT 260S33 (F2BE3681B)	Diesel		7790	243	330	12.06-	*	*	
AD 260S33, AT 260S33 (F2BE3681B)	Diesel		7790	243	330	12.06-	*	*	
AD 260S33, AT 260S33	Diesel		7790	243	330	12.06-	*		
AD 190S35, AT 190S35, AD 190S36, AT 190S36 (F2BE0681A)	Diesel		7790	259	352	06.03-	*	*	
AD 190S35, AT 190S35, AD 190S36, AT 190S36 (F2BE3681A)	Diesel		7790	259	352	06.03-	*	*	
AD 260S35, AT 260S35, AD 260S36, AT 260S36 (F2BE0681A)	Diesel		7790	259	352	06.03-	*	*	
AD 260S35, AT 260S35, AD 260S36, AT 260S36 (F2BE3681A)	Diesel		7790	259	352	06.03-	*	*	
AD 260S35, AT 260S35, AD 260S36, AT 260S36	Diesel		7790	259	352	06.03-	*		
AD 190S42, AT 190S42, AS 190S42 (F3AE3681B)	Diesel		10300	309	420	07.06-	*	*	

LISTA DE APLICACIONES - BUYERS GUIDE

AD 190S42, AT 190S42, AS 190S42 (F3AE3681D)	Diesel		10300	309	420	07.06-	*	*
AD 320S42, AT 320S42 (F3AE3681D)	Diesel		10300	310	422	05.07-	*	*
AS 260S43 (F3AE0681D)	Diesel		10300	316	430	02.02-	*	*
AD 320S45, AT 320S45, AD 320S46, AT320S46 (F3AE3681A)	Diesel		10300	331	450	05.07-	*	*
AD 190S40, AT 190S40 (F3AE0681B)	Diesel		10308	294	400	03.03-	*	*
AD 190S40, AT 190S40 (F3AE0681H)	Diesel		10308	294	400	03.03-	*	*
AD 260S40, AT 260S40 (F3AE0681B)	Diesel		10308	294	400	06.03-	*	*
AD 260S40, AT 260S40 (F3AE0681H)	Diesel		10308	294	400	06.03-	*	*
AD 260S40, AT 260S40	Diesel		10308	294	400	06.03-	*	
AS 190S40 (F3AE0681B)	Diesel		10308	294	400	02.02-	*	*
AS 190S40 (F3AE0681H)	Diesel		10308	294	400	02.02-	*	*
AS 260S40 (F3AE0681B)	Diesel		10308	294	400	02.02-	*	*
AS 260S40 (F3AE0681H)	Diesel		10308	294	400	02.02-	*	*
AS 260S40 (F3AE0681B)	Diesel		10308	294	400	05.05-	*	*
AS 260S40	Diesel		10308	294	400	02.02-	*	
AD 260S42, AT 260S42 (F3AE3681B)	Diesel		10308	310	422	12.06-	*	*
AD 260S42, AT 260S42 (F3AE3681B)	Diesel		10308	310	422	12.06-	*	
AD 260S42, AT 260S42, AS 260S42 (F3AE3681B)	Diesel		10308	310	422	05.07-	*	*
AD 260S42, AT 260S42, AS 260S42	Diesel		10308	310	422	05.07-	*	
AD 190S43, AT 190S43 (F3AE0681D)	Diesel		10308	316	430	06.03-	*	*
AD 260S43, AT 260S43 (F3AE0681D)	Diesel		10308	316	430	06.03-	*	*
AD 260S43, AT 260S43	Diesel		10308	316	430	06.03-	*	
AS 190S43 (F3AE0681D)	Diesel		10308	316	430	02.02-	*	*
AS 260S43 (F3AE0681D)	Diesel		10308	316	430	05.05-	*	*
AS 260S43	Diesel		10308	316	430	02.02-	*	
AD 190S45, AT 190S45 (F3AE3681A)	Diesel		10308	331	450	12.06-	*	*
AD 260S45, AT 260S45 (F3AE3681A)	Diesel		10308	331	450	12.06-	*	*
AD 260S45, AT 260S45, AS 260S45 (F3AE3681A)	Diesel		10308	331	450	05.07-	*	*
AD 260S45, AT 260S45, AS 260S45	Diesel		10308	331	450	05.07-	*	
AS 190S45 (F3AE3681A)	Diesel		10308	331	450	12.06-	*	*
AS 260S48, AT260S48 (F3BE0681E)	Diesel		12880	353	480	02.02-	*	*
ES 440S54 (F3BE0681A)	Diesel		12880	397	540	10.04-	*	*
AS 260S56 (F3B3681A)	Diesel		12880	412	560	12.06-	*	*
AS 260S56 (F3HFE611/560)	Diesel		12880	412	560	12.06-	*	*
AS 260S56 (F3B3681A)	Diesel		12880	412	560	12.06-	*	*
AS 260S56 (F3HFE611/560)	Diesel		12880	412	560	12.06-	*	*
AS 260S56 (F3B3681A)	Diesel		12880	412	560	07.06-	*	*
AS 260S56 (F3HFE611/560)	Diesel		12880	412	560	07.06-	*	*
AD 320S36 (F3BE0681J)	Diesel		12882	265	360	05.07-	*	*
AS 190S48 (F3BE0681E)	Diesel		12882	353	480	02.02-	*	*
AS 260S48 (F3BE0681E)	Diesel		12882	353	480	02.02-	*	*
AS 260S48	Diesel		12882	353	480	02.02-	*	
AS 190S50 (F3B3681B)	Diesel		12882	368	500	12.06-	*	*
AS 190S50 (F3HFE611/500)	Diesel		12882	368	500	12.06-	*	*
AS 260S50 (F3B3681B)	Diesel		12882	368	500	12.06-	*	*
AS 260S50 (F3HFE611/500)	Diesel		12882	368	500	12.06-	*	*
AS 260S50 (F3B3681B)	Diesel		12882	368	500	12.06-	*	*
AS 260S50 (F3HFE611/500)	Diesel		12882	368	500	12.06-	*	*
AS 260S50 (F3B3681B)	Diesel		12882	368	500	07.06-	*	*
AS 260S50 (F3HFE611/500)	Diesel		12882	368	500	07.06-	*	*
AS 320S50 (F3B3681B)	Diesel		12882	368	500	05.07-	*	*

LISTA DE APLICACIONES - BUYERS GUIDE

AS 260S54 (F3BE0681A)		Diesel		12882	397	540	02.02-	*	*	
AS 260S54 (F3BE0681A)		Diesel		12882	397	540	02.02-	*	*	
AS 260S54 (F3BE0681A)		Diesel		12882	397	540	02.02-	*	*	
Stralis 02.02-							Caja/Chasis			
AD 260S27 CNG, AT 260S27 CNG (F2B CNG)		Gasolina		7790	200	272	01.08-	*	*	
AD 260S27 CNG, AT 260S27 CNG (F2GE0682A)		Gasolina		7790	200	272	01.08-	*	*	
AD 260S27 CNG, AT 260S27 CNG		Gasolina		7790	200	272	01.08-	*		
AD 260S30 CNG (F2GE0682A)		Gasolina		7790	220	299	01.13-	*		
Stralis 02.02-							Veh. Municipal			
AD 190S27, AT 190S27 (F2BE0681F)		Diesel		7790	200	272	04.04-	*	*	
AD 260S27, AT 260S27 (F2BE0681F)		Diesel		7790	200	272	04.04-	*	*	
AD 260S27, AT 260S27		Diesel		7790	200	272	04.04-	*		
AD 190S30 (F2BE0681E)		Diesel		7790	218	296	04.04-	*	*	
AD 260S30, AT 260S30 (F2BE0681E)		Diesel		7790	218	296	04.04-	*	*	
AD 260S30, AT 260S30		Diesel		7790	218	296	04.04-	*		
AD 190S31, AT 190S31 (F2BE3681C)		Diesel		7790	228	310	04.04-	*	*	
AD 260S31, AT 260S31 (F2BE3681C)		Diesel		7790	228	310	04.04-	*	*	
AD 260S31, AT 260S31		Diesel		7790	228	310	04.04-	*		
AD 190S33, AT 190S33 (F2BE3681B)		Diesel		7790	243	330	05.07-	*	*	
AD 260S33, AT 260S33 (F2BE3681B)		Diesel		7790	243	330	06.07-	*	*	
AD 260S33, AT 260S33		Diesel		7790	243	330	06.07-	*		
AD 190S35 (F2BE0681A)		Diesel		7790	259	352	04.04-	*	*	
AD 190S36, AT 190S36 (F2BE3681A)		Diesel		7790	265	360	05.07-	*	*	
AD 260S36, AT 260S36 (F2BE3681A)		Diesel		7790	265	360	07.07-	*	*	
AD 260S36, AT 260S36		Diesel		7790	265	360	07.07-	*		
AD 260S35 (F2BE0681A)		Diesel		7990	259	352	04.04-	*	*	
Strator 04.10-							Cabeza tractora			
ASN 440S42T		Diesel		10308	310	420	04.10-	*	*	
ASN 440S42TX		Diesel		10308	310	420	04.10-	*	*	
ASN 440S45T		Diesel		10308	331	450	04.10-	*	*	
ASN 440S45TX		Diesel		10308	331	450	04.10-	*	*	
ASN 440S50T		Diesel		12880	368	500	04.10-	*	*	
ASN 440S50TX		Diesel		12880	368	500	04.10-	*	*	
ASN 440S50TZ		Diesel		12880	368	500	04.10-	*	*	
ASN 440S56T		Diesel		12880	412	560	04.10-	*	*	
ASN 440S56TX		Diesel		12880	412	560	04.10-	*	*	
ASN 440S56TZ		Diesel		12880	412	560	04.10-	*	*	
S-WAY 07.19-							Cabeza tractora			
AS440S42TFP (F3GFE611F)		Diesel		11118	309	420	07.19-	*	*	
AS440S42TP (F3GFE611F)		Diesel		11118	309	420	07.19-	*	*	
AS440S46TFP (F3GFE611E)		Diesel		11118	338	460	07.19-	*	*	
AS440S46TP (F3GFE611E)		Diesel		11118	338	460	07.19-	*	*	
AS440S48TFP (F3GFE611G)		Diesel		11118	353	480	07.19-	*	*	
AS440S48TP (F3GFE611G)		Diesel		11118	353	480	07.19-	*	*	
AS440S51TFP (F3HFE611G)		Diesel		12882	375	510	07.19-	*	*	
AS440S51TP		Diesel		12882	375	510	07.19-	*	*	
AS440S51TP (F3HFE611G)		Diesel		12882	375	510	07.19-	*	*	
AS440S51TP (F3HFE611G)		Diesel		12882	375	510	07.19-	*	*	
AS440S57TFP (F3HFE611F)		Diesel		12882	420	570	07.19-	*	*	
AS440S57TP (F3HFE611F)		Diesel		12882	420	570	07.19-	*	*	

LISTA DE APLICACIONES - BUYERS GUIDE

							Caja/Chasis		
S-WAY 07.19-									
AS190S46FP (F3GFE611E)		Diesel		11118	338	460	07.19-	* *	
AS190S46P (F3GFE611E)		Diesel		11118	338	460	07.19-	* *	
AS260S51FP (F3GFE611G)		Diesel		12882	375	510	07.19-	* *	
AS260S51P (F3GFE611G)		Diesel		12882	375	510	07.19-	* *	
AS260S51P (F3GFE611G)		Diesel		12882	375	510	07.19-	* *	
Tector II 08.12-12.18							Cabeza tractora		
170E28 (F4AE3681E)		Diesel		5883	206	280	09.12-	*	
Tector II 08.12-12.18							Caja/Chasis		
150E21 (F4AFE411C)		Diesel		4485	150	204	01.12-	*	
170E22 (F4AE3681B)		Diesel		5883	160	218	01.12-	*	
170E28 (F4AE3681E)		Diesel		5883	206	280	01.12-	*	
240E28 (F4AE3681E)		Diesel		5883	206	280	01.12-	*	
Trakker 09.04-							Cabeza tractora		
AD 400T35 T, AT 400T35 T (F2BE0681A)		Diesel		7790	259	352	06.05-10.07	*	
AD 400T36 T, AT 400T36 T (F2BE3681A)		Diesel		7790	265	360	10.04-12.12	*	
AD 440T38 T, AT 440T38 T (F3BE0681G)		Diesel		12880	280	380	04.05-12.12	*	
AD 440T44 T, AT 440T44 T (F3BE0681C)		Diesel		12880	324	440	06.05-10.07	*	
AD 720T45 T, AT 720T45 T (F3BE3681C)		Diesel		12880	331	450	03.06-	*	
AD 720T45 T, AT 720T45 T (F3HFE611/450)		Diesel		12880	331	450	03.06-	*	
AT 410T54 T (F3BE0681A)		Diesel		12880	397	540	01.05-12.12	*	
AD 400T38 T, AT 400T38 T (F3BE0681G)		Diesel		12882	280	380	06.05-12.12	*	
AD 400T38 WT, AT 400T38 WT (F3BE0681G)		Diesel		12882	280	380	06.05-10.07	*	
AD 720T38 T, AT 720T38 T (F3BE0681G)		Diesel		12882	280	380	06.05-12.12	*	
AD 720T38 WT, AT 720T38 WT (F3BE0681G)		Diesel		12882	280	380	06.05-12.12	*	
AD 400T41 T, AT 400T41 T (F3BE3681D)		Diesel		12882	302	410	03.06-	*	
AD 400T41 T, AT 400T41 T (F3HFE611/410)		Diesel		12882	302	410	03.06-	*	
AD 400T41 WT, AT 400T41 WT (F3BE3681D)		Diesel		12882	302	410	03.06-12.12	* *	
AD 440T41 T, AT 440T41 T (F3BE3681D)		Diesel		12882	302	410	03.06-	*	
AD 720T41 T, AT 720T41 T (F3BE3681D)		Diesel		12882	302	410	03.06-	*	
AD 720T41 T, AT 720T41 T (F3HFE611/410)		Diesel		12882	302	410	03.06-	*	
AT 400T42 TH (F3BE0681V)		Diesel		12882	309	420	06.05-12.12	*	
AT 720T42 T (F3BE0681V)		Diesel		12882	309	420	04.05-12.12	*	
AT 720T42 WT (F3BE0681V)		Diesel		12882	309	420	06.05-12.12	*	
AD 400T44 T, AT 400T44 T (F3BE0681C)		Diesel		12882	324	440	06.05-10.07	*	
AD 400T44 WT, AT 400T44 WT (F3BE0681C)		Diesel		12882	324	440	06.05-12.12	*	
AD 720T44 T, AT 720T44 T (F3BE0681C)		Diesel		12882	324	440	06.05-10.07	*	
AD 720T44 WT, AT 720T44 WT (F3BE0681C)		Diesel		12882	324	440	06.05-10.07	*	
AD 400T45 T, AT 400T45 T (F3BE3681C)		Diesel		12882	331	450	03.06-	*	
AD 400T45 T, AT 400T45 T (F3HFE611/450)		Diesel		12882	331	450	03.06-	*	
AD 440T45 T, AT 440T45 T (F3BE3681C)		Diesel		12882	331	450	03.06-	*	
AD 440T45 T, AT 440T45 T (F3HFE611/450)		Diesel		12882	331	450	03.06-	*	
AD 400T45 WT, AT 400T45 WT (F3BE3681C)		Diesel		12882	332	450	03.06-12.12	* *	
AD 720T48 T, AT 720T48 T (F3BE0681E)		Diesel		12882	353	480	06.05-10.07	*	
AD 400T50 T, AT 400T50 T (F3BE3681B)		Diesel		12882	368	500	03.06-	*	
AD 400T50 T, AT 400T50 T (F3HFE611/500)		Diesel		12882	368	500	03.06-	*	
AD 440T50 T, AT 440T50 T (F3BE3681B)		Diesel		12882	368	500	03.06-	*	
AD 440T50 T, AT 440T50 T (F3HFE611/500)		Diesel		12882	368	500	03.06-	*	
AD 720T50 T, AT 720T50 T, AT 720T50 TP, AT 720T50 HT (F3BE3681B)		Diesel		12882	368	500	03.06-	*	

LISTA DE APLICACIONES - BUYERS GUIDE

AD 720T50 T, AT 720T50 T, AT 720T50 TP, AT 720T50 HT (F3HFE611/500)	Diesel		12882	368	500	03.06-	*		
Trakker 09.04-							Caja/Chasis		
AD 180T27 W, AT 180T27 W (F2BE0681F)	Diesel		7790	200	272	06.05-10.07	*	*	
AD 190T27, AT 190T27 (F2BE0681F)	Diesel		7790	200	272	06.05-10.07	*		
AD 190T31, AT 190T31 (F2BE0681B)	Diesel		7790	228	310	10.04-10.07	*		
AD 190T31 W, AT 190T31 W (F2BE0681B)	Diesel		7790	228	310	06.05-10.07	*	*	
AD 190T31 W, AT 190T31 W (F2BE3681C)	Diesel		7790	228	310	06.05-10.07	*	*	
AD 260T31, AT 260T31 (F2BE0681B)	Diesel		7790	228	310	10.04-10.07	*		
AD 190T33, AT 190T33 (F2BE3681B)	Diesel		7790	243	330	03.06-12.12	*	*	
AD 190T33 W, AT 190T33 W (F2BE3681B)	Diesel		7790	243	330	03.06-12.12	*	*	
AD 260T33, AD 380T33, AT 260T33, AT 380T33 (F2BE3681B)	Diesel		7790	243	330	03.06-12.12	*		
AD 190T35, AT 190T35, AD 190T36, AT 190T36 (F2BE0681A)	Diesel		7790	259	352	06.05-10.07	*		
AD 190T35 W, AT 190T35 W, AD 190T36 W, AT 190T36 W (F2BE0681A)	Diesel		7790	259	352	01.05-10.07	*		
AD 190T35 W, AT 190T35 W, AD 190T36 W, AT 190T36 W (F2BE3681A)	Diesel		7790	259	352	01.05-10.07	*		
AD 260T35, AT 260T35 (F2BE0681A)	Diesel		7790	259	352	10.04-10.07	*		
AD 260T35 W, AT 260T35 W (F2BE0681A)	Diesel		7790	259	352	06.05-10.07	*		
AD 340T35, AT 340T35 (F2BE0681A)	Diesel		7790	259	352	06.05-10.07	*		
AD380T35 (F2BE0681A)	Diesel		7790	259	352	01.05-10.07	*		
AD 410T35 (F2BE0681A)	Diesel		7790	259	352	02.05-10.07	*		
AD 260T36, AT 260T36 (F2BE3681A)	Diesel		7790	265	360	03.06-10.07	*		
AD 260T36 W, AD 380T36 W, AT 260T36 W, AT 380T36 W (F2BE3681A)	Diesel		7790	265	360	10.04-12.12	*	*	
AD 340T36, AT 340T36 (F2BE3681A)	Diesel		7790	265	360	03.06-12.12	*		
AD 340T36, AT 340T36 (F2BE3681A)	Diesel		7790	265	360	07.07-12.12	*		
AD 380T36 W, AT 380T36 W (F2BE3681A)	Diesel		7790	265	360	04.06-10.07	*		
AD 410T36, AT 410T36 (F2BE3681A)	Diesel		7790	265	360	03.06-	*		
AD 410T38 H (F3BE0681G)	Diesel		12880	280	380	04.05-12.12	*		
AT 340T38 (F3BE0681G)	Diesel		12880	280	380	03.05-10.07	*		
AT 340T38 W (F3BE0681G)	Diesel		12880	280	380	09.05-10.07	*		
AD 190T44 W, AT 190T44 W, AD 190T45W, AT 190T45W (F3BE3681C)	Diesel		12880	324	440	06.05-	*		
AD 380T45 W, AT 380T45 W (F3B3681C)	Diesel		12880	331	450	09.06-	*		
AD 260T45, AD 380T45, AT 260T45, AT 380T45 (F3BE3681C)	Diesel		12880	332	450	03.06-	*		
AD 260T45, AD 380T45, AT 260T45, AT 380T45 (F3HFE611/450)	Diesel		12880	332	450	03.06-	*		
AD 340T50, AT 340T50 (F3BE3681B)	Diesel		12880	368	500	03.06-	*		
AD 190T38, AT 190T38 (F3BE0681G)	Diesel		12882	280	380	10.04-12.12	*		
AD 190T38 W, AT 190T38 W	Diesel		12882	280	380	06.05-12.12	*		
AD 260T38, AD 260T38 /P, AT 260T38 (F3BE0681G)	Diesel		12882	280	380	06.05-10.07	*		
AD 260T38 W, AT 260T38 W (F3BE0681G)	Diesel		12882	280	380	06.05-10.07	*		
AD 380T38, AT 380T38 (F3BE0681G)	Diesel		12882	280	380	01.05-10.07	*		
AD 380T38 W, AT 380T38 W (F3BE0681G)	Diesel		12882	280	380	06.05-10.07	*		
AD410T38 (F3BE0681G)	Diesel		12882	280	380	02.05-10.07	*		
AD 410T41, AT 410T41 (F3B3681D)	Diesel		12882	301	410	06.06-	*		
AD 410T41, AT 410T41 (F3BE3681D)	Diesel		12882	301	410	06.06-	*		
AD 410T41, AT 410T41 (F3HFE611/410)	Diesel		12882	301	410	06.06-	*		
AD 190T41, AT 190T41 (F3BE3681D)	Diesel		12882	302	410	03.06-	*		
AD 190T41, AT 190T41 (F3HFE611/410)	Diesel		12882	302	410	03.06-	*		
AD 260T41, AD 380T41, AT 260T41, AT 380T41 (F3BE3681D)	Diesel		12882	302	410	03.06-	*		

LISTA DE APLICACIONES - BUYERS GUIDE

AD 260T41, AD 380T41, AT 260T41, AT 380T41 (F3HFE611/410)	Diesel		12882	302	410	03.06-	*	
AD 260T41 W, AD 380T41 W, AT 260T41 W, AT 380T41 W (F3BE3681D)	Diesel		12882	302	410	03.06-12.12	*	*
AD 340T41, AT 340T41 (F3BE3681D)	Diesel		12882	302	410	03.06-12.12	*	
AD 340T41, AT 340T41 (F3B3681D)	Diesel		12882	302	410	06.06-	*	
AD 340T41, AT 340T41 (F3HFE611/410)	Diesel		12882	302	410	06.06-	*	
AD 380T41, AT 380T41 (F3B3681D)	Diesel		12882	302	410	09.06-	*	
AD 380T41 W, AT 380T41 W (F3B3681D)	Diesel		12882	302	410	09.06-	*	
AD 410T41, AT 410T41 (F3BE3681D)	Diesel		12882	302	410	03.06-12.12	*	
AD 380T42 W (F3BE0681V)	Diesel		12882	309	420	01.05-12.12	*	
AD 190T44, AT 190T44, AD 19T45, AT 190T45 (F3B3681G)	Diesel		12882	324	440	06.05-10.07	*	
AD 260T44, AD 260T44 /P, AT 260T44 (F3BE0681C)	Diesel		12882	324	440	06.05-10.07	*	
AD 260T44 W, AT 260T44 W (F3BE0681C)	Diesel		12882	324	440	06.05-10.07	*	
AD 340T44, AT 340T44 (F3BE0681C)	Diesel		12882	324	440	06.05-10.07	*	
AD 380T44, AT 380T44 (F3BE0681C)	Diesel		12882	324	440	06.05-10.07	*	
AD 380T44 W, AT 380T44 W (F3BE0681C)	Diesel		12882	324	440	06.05-12.12	*	
AD 410T44, AT 410T44 (F3BE0681C)	Diesel		12882	324	440	02.05-10.07	*	
AD 410T44 W , AT 410T44 W (F3BE0681C)	Diesel		12882	324	440	06.05-12.12	*	
AD 260T45 W, AD 380T45 W, AT 260T45 W, AT 380T45 W (F3BE3681C)	Diesel		12882	332	450	03.06-12.12	*	*
AD 340T45, AD 340T45 /P, AT 340T45, AT 34T45 /P (F3BE3681C)	Diesel		12882	332	450	06.06-	*	
AD 340T45, AD 340T45 /P, AT 340T45, AT 34T45 /P (F3HFE611/450)	Diesel		12882	332	450	06.06-	*	
AD 340T45, AT 340T45 (F3BE3681C)	Diesel		12882	332	450	03.06-12.12	*	
AD 410T45, AT 410T45 (F3BE3681C)	Diesel		12882	332	450	03.06-12.12	*	
AD 410T45, AT 410T45 (F3B3681C)	Diesel		12882	332	450	06.06-	*	
AD 410T45, AT 410T45 (F3HFE611/450)	Diesel		12882	332	450	06.06-	*	
AD 410T45 W (F3BE3681C)	Diesel		12882	332	450	03.06-12.12	*	*
AD 410T45 W (F3B3681C)	Diesel		12882	332	450	07.07-12.12	*	
AD 260T48, AT 260T48 (F3BE0681E)	Diesel		12882	353	480	06.05-10.07	*	
AD 380T48, AD 380T48 (F3BE0681E)	Diesel		12882	353	480	06.05-10.07	*	
AD 410T48, AT 410T48 (F3BE0681E)	Diesel		12882	353	480	02.05-10.07	*	
AD 260T50, AD 380T50, AT 260T50, AT 380T50 (F3BE3681B)	Diesel		12882	368	500	03.06-	*	
AD 260T50, AD 380T50, AT 260T50, AT 380T50 (F3HFE611/500)	Diesel		12882	368	500	03.06-	*	
AD 380T50, AT 380T50 (F3BE3681B)	Diesel		12882	368	500	03.07-	*	
AD 380T50, AT 380T50 (F3HFE611/500)	Diesel		12882	368	500	03.07-	*	
AD 410T50, AT 410T50 (F3BE3681B)	Diesel		12882	368	500	03.06-12.12	*	
AD 410T50, AT 410T50 (F3BE0681B)	Diesel		12882	368	500	06.06-	*	
AD 410T50, AT 410T50 (F3HFE611/500)	Diesel		12882	368	500	06.06-	*	
Trakker 09.04-				Camión volquete				
AD 190T31, AT 190T31 (F2BE0681B)	Diesel		7790	228	310	10.04-10.07	*	
AD 190T31 W, AT 190T31 W (F2BE0681B)	Diesel		7790	228	310	10.04-12.12	*	
AD 260T31, AT 260T31 (F2BE0681B)	Diesel		7790	228	310	10.04-	*	
AD 190T35, AD 190T36, AT 190T35, AT 190T36 (F2BE0681A)	Diesel		7790	259	352	10.04-12.12	*	
AD 190T35, AD 190T36, AT 190T35, AT 190T36 (F2BE3681A)	Diesel		7790	259	352	10.04-12.12	*	
AD 190T35 W, AD 190T36 W, AT 190T35 W, AT 190T36 W (F2BE0681A)	Diesel		7790	259	352	10.04-10.07	*	
AD 190T35 W, AD 190T36 W, AT 190T35 W, AT 190T36 W (F2BE3681A)	Diesel		7790	259	352	10.04-10.07	*	
AD 260T35, 260T36, 380T36, AT 260T35, 260T36, 380T36 (F2BE0681A)	Diesel		7790	259	352	10.04-12.12	*	

LISTA DE APLICACIONES - BUYERS GUIDE

AD 260T35, 260T36, 380T36, AT 260T35, 260T36, 380T36 (F2BE3681A)	Diesel		7790	259	352	10.04-12.12	*
AD 190T38, AT 190T38 (F3BE0681G)	Diesel		12882	280	380	10.04-12.12	*
AD 190T38 W, AT 190T38 W (F3BE0681G)	Diesel		12882	280	380	10.04-10.07	*
AD 260T38 , AT 260T38 (F3BE0681G)	Diesel		12882	280	380	10.04-	*
AD 190T44, AD 190T45, AT 190T44, AT 190T45 (F3BE0681C)	Diesel		12882	324	440	10.04-12.12	*
AD 190T44, AD 190T45, AT 190T44, AT 190T45 (F3BE3681C)	Diesel		12882	324	440	10.04-12.12	*
AD 190T44 W, AD 190T45 W, AT 190T44 W, AD 190T45W (F3BE0681C)	Diesel		12882	324	440	10.04-12.12	*
AD 190T44 W, AD 190T45 W, AT 190T44 W, AD 190T45W (F3BE3681C)	Diesel		12882	324	440	10.04-12.12	*
Trakker 09.04-							Hormigonera
AD 260T31 B (F2BE0681B)	Diesel		7790	228	310	06.05-10.07	*
AD 260T33 B (F2BE3681B)	Diesel		7790	243	330	11.04-12.12	*
AD 260T35 B (F2BE0681A)	Diesel		7790	259	352	06.05-10.07	*
AD 340T35 B, AT 340T35 B (F2BE0681A)	Diesel		7790	259	352	06.05-10.07	*
AD 260T36 B (F2BE3681A)	Diesel		7790	265	360	07.07-12.12	*
AD 340T36 B (F2BE3681A)	Diesel		7790	265	360	06.06-12.12	*
AD 440T44 B (F3BE0681C)	Diesel		12880	324	440	06.05-12.12	*
AD 260T38 B (F3BE0681G)	Diesel		12882	280	380	06.05-10.07	*
AD 340T38 B, AT 34T38 B (F3BE0681G)	Diesel		12882	280	380	06.05-10.07	*
AD 380T38 B (F3BE0681G)	Diesel		12882	280	380	06.05-12.12	*
AD 410T38 B, AT 410T38 B (F3BE0681G)	Diesel		12882	280	380	06.05-10.07	*
AD 340T41 B (F3B3681D)	Diesel		12882	302	410	06.06-12.12	*
AD 340T44 B, AT 340T44 B (F3BE0681C)	Diesel		12882	324	440	06.05-10.07	*
AD 380T44 B (F3BE0681C)	Diesel		12882	324	440	06.05-10.07	*
AD 410T44 B, AT 410T44 B (F3BE0681C)	Diesel		12882	324	440	06.05-12.12	*
AD 340T45 B (F3B3681C)	Diesel		12882	332	450	06.06-12.12	*
AD 410T48 B, AT 410T48 B (F3BE0681E)	Diesel		12882	353	480	06.05-10.07	*
X-WAY 07.19-							Cabeza tractora
AS440X42TP (F3GFE611F)	Diesel		11118	309	420	07.19-	* *
AS440X46T (F3GFE611E)	Diesel		11118	338	460	07.19-	* *
AS440X46TP (F3GFE611E)	Diesel		11118	338	460	07.19-	* *
AS440X48TP (F3GFE611G)	Diesel		11118	353	480	07.19-	* *
AS440X51TP (F3HFE611G)	Diesel		12882	375	510	07.19-	* *
AS440X51TP (F3HFE611G)	Diesel		12882	375	510	07.19-	* *
AS440X57TP (F3HFE611F)	Diesel		12882	420	570	07.19-	* *
AS440X57TP (F3HFE611F)	Diesel		12882	420	570	07.19-	* *
X-WAY 07.19-							Caja/Chasis
AS280X48P (F3GFE611G)	Diesel		11118	353	480	07.19-	* *
AS280X51P (F3HFE611G)	Diesel		12882	375	510	07.19-	* *
AS280X57P (F3HFE611F)	Diesel		12882	420	570	07.19-	* *
AS300X57 (F3HFE611F)	Diesel		12882	420	570	07.19-	* *
AS300X57P (F3HFE611F)	Diesel		12882	420	570	07.19-	* *
AS360X57 (F3HFE611F)	Diesel		12882	420	570	07.19-	* *
AS360X57P (F3HFE611F)	Diesel		12882	420	570	07.19-	* *
Zeta 01.79-12.92							Bus
A 60-9 (8040.05.200)	Diesel		3908	65	88	09.88-12.92	*
A 60-9 (8040.05.203)	Diesel		3908	65	88	09.88-12.92	*
A 70-12 (8340.05.200)	Diesel		5401	84	114	01.83-01.85	*
A 70-14 (8060.05.246)	Diesel		5861	101	137	05.88-12.92	*

LISTA DE APLICACIONES - BUYERS GUIDE

A 70-14 (8060.05.285)		Diesel		5861	101	137	05.88-12.92	*	
Zeta 01.79-12.92				Caja/Chasis					
79-13 (8060.04.060)		Diesel		5500	96	131	11.79-12.83	*	
79-13 (8060.04.660)		Diesel		5500	96	131	11.79-12.83	*	
Zeta 01.79-12.92				Camión volquete					
79-13 (8060.04.060)		Diesel		5500	96	131	11.79-12.83	*	
79-13 (8060.04.660)		Diesel		5500	96	131	11.79-12.83	*	
Zeta 01.79-12.92				Furgoneta					
79-13 (8060.04.060)		Diesel		5500	96	131	11.79-12.83	*	
79-13 (8060.04.660)		Diesel		5500	96	131	11.79-12.83	*	
KARSAN									
ATAK 10.14-				Bus					
ATAK		Diesel		3922	110	150	10.14-	*	*
ATAK		Diesel		4485	137	186	10.14-	*	*
LECIÑENA									
Eje/Axle				Eje remolque					
Llanta 22.5" SB 7000							01.53-	*	
LECITRAILER									
Eje/Axle				Eje remolque					
Llanta 22.5" SB 7000							01.53-	*	
MAN									
LION'S CITY 03.96-				Bus					
A 21 (D 0826 LUH)		Diesel		6871	184	250	06.96-	*	*
A 35 (D 0836 LOH 61)		Diesel		6871	184	250	10.09-	*	*
A 66 (D 0836 LOH 61)		Diesel		6871	184	250	02.09-	*	*
A 20 (D 0826 LUH 13)		Diesel		6871	191	260	07.98-	*	*
A 37 (D 0836 LUH 40)		Diesel		6871	206	280	01.02-10.09	*	*
A 37 (D 0836 LUH 50)		Diesel		6871	206	280	01.02-10.09	*	*
A 37 (D 0836 LUH 51)		Diesel		6871	206	280	01.02-10.09	*	*
A 35 (D 0836 LOH 60)		Diesel		6871	213	290	10.09-	*	*
A 66 (D 0836 LOH 60)		Diesel		6871	213	290	02.09-	*	*
A 22 (D 2066 LUH 46)		Diesel		10518	206	280	10.09-	*	*
A 22 (D 2066 LUH 47)		Diesel		10518	235	320	10.09-	*	*
A 22 (D 2066 LUH 48)		Diesel		10518	265	360	10.09-	*	*
A 23 (D 2866 LUH 22)		Diesel		11967	191	260	08.96-	*	*
A 39 (D 2866 LUH 24)		Diesel		11967	228	310	03.96-	*	*
A 39 (D 2866 LUH 51)		Diesel		11967	228	310	03.96-	*	*
A 39 (D 2866 LUH 24)		Diesel		11967	228	310	08.04-	*	*
A 39 (D 2866 LUH 51)		Diesel		11967	228	310	08.04-	*	*
A 26 (D 2866 LUH 21)		Diesel		11967	257	350	02.98-	*	*
A 26 (D 2866 LUH 25)		Diesel		11967	265	360	05.04-10.09	*	*
A 26 (D 2866 LUH 29)		Diesel		11967	265	360	05.04-10.09	*	*
LION'S CITY 03.96-				Bus					
A 22 (E 2876 LUH 03)		Gasolina		12816	235	320	10.09-	*	*
LION'S REGIO 01.04-				Bus					
320, C 320 (D 2066 LUH 51)		Diesel		10518	235	320	01.15-	*	
L320 (D 2066 LUH 51)		Diesel		10518	235	320	01.15-	*	
360, C 360 (D 2066 LUH 52)		Diesel		10518	265	360	01.15-	*	

LISTA DE APLICACIONES - BUYERS GUIDE

L360 (D 2066 LUH 52)		Diesel		10518	265	360	01.15-		*
400, C 400 (D 2066 LUH 53)		Diesel		10518	294	400	01.15-		*
L 400 (D 2066 LUH 53)		Diesel		10518	294	400	01.15-		*
TGA 03.00-				Cabeza tractora					
18.310, 18.320 (D 2066 LF 04)		Diesel		10518	228	310	05.04-		* *
18.310, 18.320 (D 2066 LF 14)		Diesel		10518	228	310	05.04-		* *
18.310, 18.320 (D 2066 LF 28)		Diesel		10518	228	310	05.04-		* *
18.310, 18.320 (D 2066 LF 35)		Diesel		10518	228	310	05.04-		* *
18.310, 18.320 (D 2066 LF 39)		Diesel		10518	228	310	05.04-		* *
18.310, 18.320 (D 2066 LF 04)		Diesel		10518	228	310	05.04-		* *
18.310, 18.320 (D 2066 LF 14)		Diesel		10518	228	310	05.04-		* *
18.310, 18.320 (D 2066 LF 35)		Diesel		10518	228	310	05.04-		* *
18.310, 18.320 (D 2066 LF 39)		Diesel		10518	228	310	05.04-		* *
26.310, 26.320 (D 2066 LF 04)		Diesel		10518	228	310	05.04-		* *
26.310, 26.320 (D 2066 LF 14)		Diesel		10518	228	310	05.04-		* *
26.310, 26.320 (D 2066 LF 35)		Diesel		10518	228	310	05.04-		* *
26.310, 26.320 (D 2066 LF 39)		Diesel		10518	228	310	05.04-		* *
26.310, 26.320 (D 2066 LF 04)		Diesel		10518	228	310	05.04-		* *
26.310, 26.320 (D 2066 LF 14)		Diesel		10518	228	310	05.04-		* *
26.310, 26.320 (D 2066 LF 35)		Diesel		10518	228	310	05.04-		* *
26.310, 26.320 (D 2066 LF 39)		Diesel		10518	228	310	05.04-		* *
28.310 (D 2066 LF 04)		Diesel		10518	228	310	06.04-		* *
28.310 (D 2066 LF 14)		Diesel		10518	228	310	06.04-		* *
28.320 (D 2066 LF 28)		Diesel		10518	235	320	06.04-		* *
28.320 (D 2066 LF 39)		Diesel		10518	235	320	06.04-		* *
18.350 (D 2066 LF 03)		Diesel		10518	257	350	05.04-		* *
18.350 (D 2066 LF 13)		Diesel		10518	257	350	05.04-		* *
18.350, 18.360 (D 2066 LF 03)		Diesel		10518	257	350	05.04-		* *
18.350, 18.360 (D 2066 LF 13)		Diesel		10518	257	350	05.04-		* *
18.350, 18.360 (D 2066 LF 33)		Diesel		10518	257	350	05.04-		* *
18.350, 18.360 (D 2066 LF 38)		Diesel		10518	257	350	05.04-		* *
19.350 (D 2066 LF 03)		Diesel		10518	257	350	05.04-		* *
24.350, 24.360 (D 2066 LF 03)		Diesel		10518	257	350	02.04-		* *
24.350, 24.360 (D 2066 LF 13)		Diesel		10518	257	350	02.04-		* *
24.350, 24.360 (D 2066 LF 33)		Diesel		10518	257	350	02.04-		* *
24.350, 24.360 (D 2066 LF 38)		Diesel		10518	257	350	02.04-		* *
26.350 (D 2066 LF 03)		Diesel		10518	257	350	05.04-		* *
26.350 (D 2066 LF 03)		Diesel		10518	257	350	07.05-		* *
26.350 (D 2066 LF 13)		Diesel		10518	257	350	07.05-		* *
26.350 (D 2066 LF 13)		Diesel		10518	257	350	07.05-		* *
26.350, 26.360 (D 2066 LF 03)		Diesel		10518	257	350	05.04-		* *
26.350, 26.360 (D 2066 LF 13)		Diesel		10518	257	350	05.04-		* *
26.350, 26.360 (D 2066 LF 33)		Diesel		10518	257	350	05.04-		* *
26.350, 26.360 (D 2066 LF 38)		Diesel		10518	257	350	05.04-		* *
26.350, 26.360 (D 2066 LF 03)		Diesel		10518	257	350	05.04-		* *
26.350, 26.360 (D 2066 LF 13)		Diesel		10518	257	350	05.04-		* *
26.350, 26.360 (D 2066 LF 33)		Diesel		10518	257	350	05.04-		* *
26.350, 26.360 (D 2066 LF 38)		Diesel		10518	257	350	05.04-		* *
28.350 (D 2066 LF 03)		Diesel		10518	257	350	02.04-		* *
33.350, 33.360 (D 2066 LF 03)		Diesel		10518	257	350	05.04-		* *
33.350, 33.360 (D 2066 LF 07)		Diesel		10518	257	350	05.04-		* *

LISTA DE APLICACIONES - BUYERS GUIDE

33.350, 33.360 (D 2066 LF 13)		Diesel		10518	257	350	05.04-	*	*
33.350, 33.360 (D 2066 LF 33)		Diesel		10518	257	350	05.04-	*	*
33.350, 33.360 (D 2066 LF 38)		Diesel		10518	257	350	05.04-	*	*
33.350, 33.360 (D 2066 LF 03)		Diesel		10518	257	350	06.05-	*	*
33.350, 33.360 (D 2066 LF 07)		Diesel		10518	257	350	06.05-	*	*
33.350, 33.360 (D 2066 LF 13)		Diesel		10518	257	350	06.05-	*	*
33.350, 33.360 (D 2066 LF 33)		Diesel		10518	257	350	06.05-	*	*
33.350, 33.360 (D 2066 LF 38)		Diesel		10518	257	350	06.05-	*	*
18.360 (D 2066 LF 07)		Diesel		10518	265	360	01.06-	*	*
18.360 (D 2066 LF 27)		Diesel		10518	265	360	01.06-	*	*
18.360 (D 2066 LF 38)		Diesel		10518	265	360	01.06-	*	*
19.360 (D 2066 LF 07)		Diesel		10518	265	360	05.04-	*	*
26.360 (D 2066 LF 07)		Diesel		10518	265	360	05.04-	*	*
26.360 (D 2066 LF 38)		Diesel		10518	265	360	05.04-	*	*
26.360 (D 2066 LF 38)		Diesel		10518	265	360	04.06-	*	*
28.360 (D 2066 LF 38)		Diesel		10518	265	360	04.06-	*	*
18.390 (D 2066 LF 02)		Diesel		10518	287	390	05.04-	*	*
18.390 (D 2066 LF 12)		Diesel		10518	287	390	05.04-	*	*
18.390, 18.400 (D 2066 LF 02)		Diesel		10518	287	390	05.04-	*	*
18.390, 18.400 (D 2066 LF 12)		Diesel		10518	287	390	05.04-	*	*
18.390, 18.400 (D 2066 LF 32)		Diesel		10518	287	390	05.04-	*	*
18.390, 18.400 (D 2066 LF 37)		Diesel		10518	287	390	05.04-	*	*
19.390 (D 2066 LF 02)		Diesel		10518	287	390	05.04-	*	*
24.390, 24.400 (D 2066 LF 02)		Diesel		10518	287	390	05.04-	*	*
24.390, 24.400 (D 2066 LF 12)		Diesel		10518	287	390	05.04-	*	*
24.390, 24.400 (D 2066 LF 32)		Diesel		10518	287	390	05.04-	*	*
24.390, 24.400 (D 2066 LF 37)		Diesel		10518	287	390	05.04-	*	*
26.390 (D 2066 LF 02)		Diesel		10518	287	390	07.05-	*	*
26.390 (D 2066 LF 12)		Diesel		10518	287	390	07.05-	*	*
26.390, 26.400 (D 2066 LF 02)		Diesel		10518	287	390	05.04-	*	*
26.390, 26.400 (D 2066 LF 12)		Diesel		10518	287	390	05.04-	*	*
26.390, 26.400 (D 2066 LF 32)		Diesel		10518	287	390	05.04-	*	*
26.390, 26.400 (D 2066 LF 37)		Diesel		10518	287	390	05.04-	*	*
26.390, 26.400 (D 2066 LF 02)		Diesel		10518	287	390	05.04-	*	*
26.390, 26.400 (D 2066 LF 06)		Diesel		10518	287	390	05.04-	*	*
26.390, 26.400 (D 2066 LF 12)		Diesel		10518	287	390	05.04-	*	*
26.390, 26.400 (D 2066 LF 32)		Diesel		10518	287	390	05.04-	*	*
26.390, 26.400 (D 2066 LF 37)		Diesel		10518	287	390	05.04-	*	*
28.390 (D 2066 LF 02)		Diesel		10518	287	390	05.04-	*	*
28.390 (D 2066 LF 12)		Diesel		10518	287	390	05.04-	*	*
33.390, 33.400 (D 2066 LF 02)		Diesel		10518	287	390	05.04-	*	*
33.390, 33.400 (D 2066 LF 06)		Diesel		10518	287	390	05.04-	*	*
33.390, 33.400 (D 2066 LF 12)		Diesel		10518	287	390	05.04-	*	*
33.390, 33.400 (D 2066 LF 32)		Diesel		10518	287	390	05.04-	*	*
33.390, 33.400 (D 2066 LF 37)		Diesel		10518	287	390	05.04-	*	*
40.390, 40.400 (D 2066 LF 02)		Diesel		10518	287	390	06.05-	*	*
40.390, 40.400 (D 2066 LF 06)		Diesel		10518	287	390	06.05-	*	*
18.400 (D 2066 LF 26)		Diesel		10518	294	400	10.05-	*	*
18.400 (D 2066 LF 37)		Diesel		10518	294	400	10.05-	*	*
19.400 (D 2066 LF 06)		Diesel		10518	294	400	05.04-	*	*
26.400 (D 2066 LF 37)		Diesel		10518	294	400	04.06-	*	*

LISTA DE APLICACIONES - BUYERS GUIDE

28.400 (D 2066 LF 26)		Diesel		10518	294	400	04.06-	*	*
28.400 (D 2066 LF 37)		Diesel		10518	294	400	04.06-	*	*
18.430 (D 2066 LF 01)		Diesel		10518	316	430	05.04-	*	*
18.430 (D 2066 LF 11)		Diesel		10518	316	430	05.04-	*	*
18.430, 18.440 (D 2066 LF 01)		Diesel		10518	316	430	05.04-	*	*
18.430, 18.440 (D 2066 LF 11)		Diesel		10518	316	430	05.04-	*	*
18.430, 18.440 (D 2066 LF 31)		Diesel		10518	316	430	05.04-	*	*
18.430, 18.440 (D 2066 LF 36)		Diesel		10518	316	430	05.04-	*	*
19.430 (D 2066 LF 01)		Diesel		10518	316	430	03.05-03.11	*	*
24.430, 24.440 (D 2066 LF 01)		Diesel		10518	316	430	05.04-	*	*
24.430, 24.440 (D 2066 LF 11)		Diesel		10518	316	430	05.04-	*	*
24.430, 24.440 (D 2066 LF 31)		Diesel		10518	316	430	05.04-	*	*
24.430, 24.440 (D 2066 LF 36)		Diesel		10518	316	430	05.04-	*	*
26.430 (D 2066 LF 01)		Diesel		10518	316	430	02.04-	*	*
26.430 (D 2066 LF 01)		Diesel		10518	316	430	07.05-	*	*
26.430 (D 2066 LF 11)		Diesel		10518	316	430	07.05-	*	*
26.430, 26.440 (D 2066 LF 01)		Diesel		10518	316	430	05.04-	*	*
26.430, 26.440 (D 2066 LF 11)		Diesel		10518	316	430	05.04-	*	*
26.430, 26.440 (D 2066 LF 31)		Diesel		10518	316	430	05.04-	*	*
26.430, 26.440 (D 2066 LF 36)		Diesel		10518	316	430	05.04-	*	*
26.430, 26.440 (D 2066 LF 01)		Diesel		10518	316	430	02.04-	*	*
26.430, 26.440 (D 2066 LF 11)		Diesel		10518	316	430	02.04-	*	*
26.430, 26.440 (D 2066 LF 23)		Diesel		10518	316	430	02.04-	*	*
26.430, 26.440 (D 2066 LF 31)		Diesel		10518	316	430	02.04-	*	*
26.430, 26.440 (D 2066 LF 36)		Diesel		10518	316	430	02.04-	*	*
28.430 (D 2066 LF 01)		Diesel		10518	316	430	05.04-	*	*
28.430 (D 2066 LF 11)		Diesel		10518	316	430	05.04-	*	*
33.430, 33.440 (D 2066 LF 01)		Diesel		10518	316	430	05.04-	*	*
33.430, 33.440 (D 2066 LF 11)		Diesel		10518	316	430	05.04-	*	*
33.430, 33.440 (D 2066 LF 31)		Diesel		10518	316	430	05.04-	*	*
33.430, 33.440 (D 2066 LF 36)		Diesel		10518	316	430	05.04-	*	*
40.430 (D 2066 LF 01)		Diesel		10518	316	430	06.05-	*	*
18.440 (D 2066 LF 25)		Diesel		10518	324	440	09.05-	*	*
18.440 (D 2066 LF 36)		Diesel		10518	324	440	09.05-	*	*
26.440 (D 2066 LF 36)		Diesel		10518	324	440	09.05-	*	*
28.440 (D 2066 LF 25)		Diesel		10518	324	440	09.05-	*	*
28.440 (D 2066 LF 36)		Diesel		10518	324	440	09.05-	*	*
18.310 (D 2866 LF26)		Diesel		11967	228	310	04.00-	*	*
18.310 (D 2866 LF36)		Diesel		11967	228	310	04.00-	*	*
26.310 (D 2866 LF26)		Diesel		11967	228	310	12.00-	*	*
26.310 (D 2866 LF36)		Diesel		11967	228	310	12.00-	*	*
26.310 (D 2866 LF26)		Diesel		11967	228	310	01.01-	*	*
28.310 (D 2866 LF26)		Diesel		11967	228	310	09.02-	*	*
18.360 (D 2866 LF27)		Diesel		11967	265	360	04.00-	*	*
18.360 (D 2866 LF37)		Diesel		11967	265	360	04.00-	*	*
19.360 (D 2866 LF37)		Diesel		11967	265	360	05.04-	*	*
26.360 (D 2866 LF27)		Diesel		11967	265	360	12.00-	*	*
26.360 (D 2866 LF37)		Diesel		11967	265	360	12.00-	*	*
26.360 (D 2866 LF27)		Diesel		11967	265	360	09.03-	*	*
26.360 (D 2866 LF37)		Diesel		11967	265	360	09.03-	*	*
28.360 (D 2866 LF27)		Diesel		11967	265	360	09.02-	*	*

LISTA DE APLICACIONES - BUYERS GUIDE

33.360 (D 2866 LF27)		Diesel		11967	265	360	10.00-	*	*
33.360 (D 2866 LF37)		Diesel		11967	265	360	10.00-	*	*
33.360 (D 2866 LF27)		Diesel		11967	265	360	09.02-	*	*
33.360 (D 2866 LF37)		Diesel		11967	265	360	09.02-	*	*
18.410 (D 2866 LF28)		Diesel		11967	301	410	04.00-	*	*
18.410 (D 2866 LF32)		Diesel		11967	301	410	04.00-	*	*
19.410 (D 2866 LF32)		Diesel		11967	301	410	05.04-	*	*
26.410 (D 2866 LF28)		Diesel		11967	301	410	12.00-	*	*
26.410 (D 2866 LF32)		Diesel		11967	301	410	12.00-	*	*
26.410 (D 2866 LF28)		Diesel		11967	301	410	06.01-	*	*
26.410 (D 2866 LF32)		Diesel		11967	301	410	06.01-	*	*
26.410 (D 2866 LF28)		Diesel		11967	301	410	07.05-	*	*
26.410 (D 2866 LF32)		Diesel		11967	301	410	07.05-	*	*
28.410 (D 2866 LF28)		Diesel		11967	301	410	09.02-	*	*
33.410 (D 2866 LF28)		Diesel		11967	301	410	10.00-	*	*
33.410 (D 2866 LF32)		Diesel		11967	301	410	10.00-	*	*
33.410 (D 2866 LF28)		Diesel		11967	301	410	09.02-	*	*
33.410 (D 2866 LF32)		Diesel		11967	301	410	09.02-	*	*
40.410 (D 2866 LF28)		Diesel		11967	301	410	04.04-	*	*
40.410 (D 2866 LF32)		Diesel		11967	301	410	04.04-	*	*
19.440 (D 2676 LF 04)		Diesel		12419	324	440	02.06-03.11	*	*
26.440 (D 2676 LF 04)		Diesel		12419	324	440	02.06-	*	*
27.440 (D 2676 LF 04)		Diesel		12419	324	440	10.08-	*	*
40.440 (D 2676 LF 04)		Diesel		12419	324	440	06.05-	*	*
18.480 (D 2676 LF 05)		Diesel		12419	353	480	01.06-	*	*
18.480 (D 2676 LF 14)		Diesel		12419	353	480	01.06-	*	*
19.480 (D 2676 LF 02)		Diesel		12419	353	480	02.06-	*	*
19.480 (D 2676 LF 03)		Diesel		12419	353	480	02.06-	*	*
19.480 (D 2676 LF 02)		Diesel		12419	353	480	02.06-	*	*
19.480 (D 2676 LF 03)		Diesel		12419	353	480	02.06-	*	*
24.480 (D 2676 LF 01)		Diesel		12419	353	480	01.06-	*	*
24.480 (D 2676 LF 12)		Diesel		12419	353	480	01.06-	*	*
26.480 (D 2676 LF 01)		Diesel		12419	353	480	02.06-	*	*
26.480 (D 2676 LF 02)		Diesel		12419	353	480	02.06-	*	*
26.480 (D 2676 LF 03)		Diesel		12419	353	480	02.06-	*	*
26.480 (D 2676 LF 05)		Diesel		12419	353	480	02.06-	*	*
26.480 (D 2676 LF 01)		Diesel		12419	353	480	02.06-	*	*
26.480 (D 2676 LF 02)		Diesel		12419	353	480	02.06-	*	*
26.480 (D 2676 LF 05)		Diesel		12419	353	480	02.06-	*	*
26.480 (D 2676 LF 12)		Diesel		12419	353	480	02.06-	*	*
28.480 (D 2676 LF 02)		Diesel		12419	353	480	02.06-	*	*
28.480 (D 2676 LF 05)		Diesel		12419	353	480	02.06-	*	*
28.480 (D 2676 LF 14)		Diesel		12419	353	480	02.06-	*	*
33.480 (D 2676 LF 01)		Diesel		12419	353	480	01.06-	*	*
33.480 (D 2676 LF 02)		Diesel		12419	353	480	01.06-	*	*
33.480 (D 2676 LF 03)		Diesel		12419	353	480	01.06-	*	*
33.480 (D 2676 LF 05)		Diesel		12419	353	480	01.06-	*	*
40.480 (D 2676 LF 02)		Diesel		12419	353	480	06.05-	*	*
40.480 (D 2676 LF 03)		Diesel		12419	353	480	06.05-	*	*
40.480 (D 2676 LF 12)		Diesel		12419	353	480	06.05-	*	*
18.540 (D 2676 LF 13)		Diesel		12419	397	540	08.06-	*	*

LISTA DE APLICACIONES - BUYERS GUIDE

28.540 (D 2676 LF 13)		Diesel		12419	397	540	08.06-	*	*
41.540 (D 2676 LF 13)		Diesel		12419	397	540	11.06-	*	*
18.460 (D 2876 LF 04)		Diesel		12816	338	460	04.00-	*	*
18.460 (D 2876 LF 07)		Diesel		12816	338	460	04.00-	*	*
19.460 (D 2876 LF 07)		Diesel		12816	338	460	05.04-	*	*
26.460 (D 2876 LF 04)		Diesel		12816	338	460	12.00-	*	*
26.460 (D 2876 LF 07)		Diesel		12816	338	460	12.00-	*	*
26.460 (D 2876 LF 04)		Diesel		12816	338	460	06.01-	*	*
26.460 (D 2876 LF 07)		Diesel		12816	338	460	06.01-	*	*
28.460 (D 2876 LF 04)		Diesel		12816	338	460	09.02-	*	*
33.460 (D 2876 LF 04)		Diesel		12816	338	460	09.02-	*	*
33.460 (D 2876 LF 07)		Diesel		12816	338	460	09.02-	*	*
40.460 (D 2876 LF 07)		Diesel		12816	338	460	04.04-	*	*
18.480 (D 2876 LF 12)		Diesel		12816	353	480	09.02-	*	*
18.480 (D 2876 LF 25)		Diesel		12816	353	480	09.02-	*	*
19.480 (D 2876 LF 25)		Diesel		12816	353	480	05.04-	*	*
24.480 (D 2876 LF 12)		Diesel		12816	353	480	07.05-	*	*
26.480 (D 2876 LF 12)		Diesel		12816	353	480	09.02-	*	*
26.480 (D 2876 LF 25)		Diesel		12816	353	480	09.02-	*	*
26.480 (D 2876 LF 12)		Diesel		12816	353	480	09.02-	*	*
28.480 (D 2876 LF 12)		Diesel		12816	353	480	09.02-	*	*
33.480 (D 2876 LF 12)		Diesel		12816	353	480	09.02-	*	*
33.480 (D 2876 LF 25)		Diesel		12816	353	480	09.02-	*	*
33.480 (D 2876 LF 12)		Diesel		12816	353	480	09.02-	*	*
33.480 (D 2876 LF 25)		Diesel		12816	353	480	09.02-	*	*
35.480 (D 2876 LF 12)		Diesel		12816	353	480	07.06-	*	*
40.480 (D 2876 LF 12)		Diesel		12816	353	480	04.04-	*	*
40.480 (D 2876 LF 25)		Diesel		12816	353	480	04.04-	*	*
41.480 (D 2876 LF 12)		Diesel		12816	353	480	07.06-	*	*
18.510 (D 2876 LF 05)		Diesel		12816	375	510	04.00-	*	*
26.510 (D 2876 LF 05)		Diesel		12816	375	510	12.00-	*	*
26.510 (D 2876 LF 05)		Diesel		12816	375	510	01.01-	*	*
28.510 (D 2876 LF 05)		Diesel		12816	375	510	09.02-	*	*
33.510 (D 2876 LF 05)		Diesel		12816	375	510	09.02-	*	*
18.530 (D 2876 LF 13)		Diesel		12816	390	530	09.02-	*	*
24.530 (D 2876 LF 13)		Diesel		12816	390	530	07.05-	*	*
26.530 (D 2876 LF 13)		Diesel		12816	390	530	09.02-	*	*
26.530 (D 2876 LF 13)		Diesel		12816	390	530	01.01-	*	*
28.530 (D 2876 LF 13)		Diesel		12816	390	530	09.02-	*	*
33.530 (D 2876 LF 13)		Diesel		12816	390	530	09.02-	*	*
33.530 (D 2876 LF 13)		Diesel		12816	390	530	07.03-	*	*
37.530 (D 2876 LF 13)		Diesel		12816	390	530	07.06-	*	*
41.530 (D 2876 LF 13)		Diesel		12816	390	530	09.02-	*	*
41.660 (D 2840 LF25)		Diesel		18273	485	660	09.02-	*	*
TGA 03.00-								Caja/Chasis	
26.280 (D 0836 LF 41)		Diesel		6871	206	280	11.02-	*	*
26.330 (D 0836 LF 44)		Diesel		6871	240	326	11.02-	*	*
18.310, 18.320 (D 2066 LF 04)		Diesel		10518	228	310	05.04-	*	*
18.310, 18.320 (D 2066 LF 14)		Diesel		10518	228	310	05.04-	*	*
18.310, 18.320 (D 2066 LF 28)		Diesel		10518	228	310	05.04-	*	*
18.310, 18.320 (D 2066 LF 35)		Diesel		10518	228	310	05.04-	*	*

LISTA DE APLICACIONES - BUYERS GUIDE

18.310, 18.320 (D 2066 LF 39)		Diesel		10518	228	310	05.04-	*	*
18.310, 18.320 (D 2066 LF 04)		Diesel		10518	228	310	05.04-	*	*
18.310, 18.320 (D 2066 LF 14)		Diesel		10518	228	310	05.04-	*	*
18.310, 18.320 (D 2066 LF 35)		Diesel		10518	228	310	05.04-	*	*
18.310, 18.320 (D 2066 LF 39)		Diesel		10518	228	310	05.04-	*	*
26.310, 26.320 (D 2066 LF 04)		Diesel		10518	228	310	05.04-	*	*
26.310, 26.320 (D 2066 LF 14)		Diesel		10518	228	310	05.04-	*	*
26.310, 26.320 (D 2066 LF 28)		Diesel		10518	228	310	05.04-	*	*
26.310, 26.320 (D 2066 LF 35)		Diesel		10518	228	310	05.04-	*	*
26.310, 26.320 (D 2066 LF 39)		Diesel		10518	228	310	05.04-	*	*
26.310, 26.320 (D 2066 LF 04)		Diesel		10518	228	310	05.04-	*	*
26.310, 26.320 (D 2066 LF 14)		Diesel		10518	228	310	05.04-	*	*
26.310, 26.320 (D 2066 LF 35)		Diesel		10518	228	310	05.04-	*	*
26.310, 26.320 (D 2066 LF 39)		Diesel		10518	228	310	05.04-	*	*
26.310, 26.320 (D 2066 LF 04)		Diesel		10518	228	310	02.04-	*	*
26.310, 26.320 (D 2066 LF 14)		Diesel		10518	228	310	02.04-	*	*
26.310, 26.320 (D 2066 LF 35)		Diesel		10518	228	310	02.04-	*	*
26.310, 26.320 (D 2066 LF 39)		Diesel		10518	228	310	02.04-	*	*
28.310 (D 2066 LF 04)		Diesel		10518	228	310	09.02-	*	*
28.310, 28.320 (D 2066 LF 04)		Diesel		10518	228	310	07.06-	*	*
28.310, 28.320 (D 2066 LF 14)		Diesel		10518	228	310	07.06-	*	*
28.310, 28.320 (D 2066 LF 28)		Diesel		10518	228	310	07.06-	*	*
28.310, 28.320 (D 2066 LF 39)		Diesel		10518	228	310	07.06-	*	*
28.320 (D 2066 LF 04)		Diesel		10518	228	310	07.06-	*	*
28.320 (D 2066 LF 14)		Diesel		10518	228	310	07.06-	*	*
28.320 (D 2066 LF 28)		Diesel		10518	228	310	07.06-	*	*
28.320 (D 2066 LF 39)		Diesel		10518	228	310	07.06-	*	*
35.310, 35.320 (D 2066 LF 04)		Diesel		10518	228	310	02.04-	*	*
35.310, 35.320 (D 2066 LF 35)		Diesel		10518	228	310	02.04-	*	*
35.310, 35.320 (D 2066 LF 39)		Diesel		10518	228	310	02.04-	*	*
37.310, 37.320 (D 2066 LF 04)		Diesel		10518	228	310	12.04-	*	*
37.310, 37.320 (D 2066 LF 35)		Diesel		10518	228	310	12.04-	*	*
37.310, 37.320 (D 2066 LF 39)		Diesel		10518	228	310	12.04-	*	*
28.320 (D 2066 LF 39)		Diesel		10518	235	320	06.04-	*	*
18.350, 18.360 (D 2066 LF 03)		Diesel		10518	257	350	05.04-	*	*
18.350, 18.360 (D 2066 LF 13)		Diesel		10518	257	350	05.04-	*	*
18.350, 18.360 (D 2066 LF 27)		Diesel		10518	257	350	05.04-	*	*
18.350, 18.360 (D 2066 LF 33)		Diesel		10518	257	350	05.04-	*	*
18.350, 18.360 (D 2066 LF 38)		Diesel		10518	257	350	05.04-	*	*
18.350, 18.360 (D 2066 LF 03)		Diesel		10518	257	350	05.04-	*	*
18.350, 18.360 (D 2066 LF 13)		Diesel		10518	257	350	05.04-	*	*
18.350, 18.360 (D 2066 LF 33)		Diesel		10518	257	350	05.04-	*	*
18.350, 18.360 (D 2066 LF 38)		Diesel		10518	257	350	05.04-	*	*
24.350, 24.360 (D 2066 LF 03)		Diesel		10518	257	350	05.04-	*	*
24.350, 24.360 (D 2066 LF 13)		Diesel		10518	257	350	05.04-	*	*
24.350, 24.360 (D 2066 LF 27)		Diesel		10518	257	350	05.04-	*	*
24.350, 24.360 (D 2066 LF 33)		Diesel		10518	257	350	05.04-	*	*
24.350, 24.360 (D 2066 LF 38)		Diesel		10518	257	350	05.04-	*	*
26.350 (D 2066 LF 03)		Diesel		10518	257	350	05.04-	*	*
26.350 (D 2066 LF 03)		Diesel		10518	257	350	01.04-	*	*
26.350 (D 2066 LF 13)		Diesel		10518	257	350	01.04-	*	*

LISTA DE APLICACIONES - BUYERS GUIDE

26.350 (D 2066 LF 13)		Diesel		10518	257	350	06.05-	*	*
26.350, 26.360 (D 2066 LF 03)		Diesel		10518	257	350	05.04-	*	*
26.350, 26.360 (D 2066 LF 13)		Diesel		10518	257	350	05.04-	*	*
26.350, 26.360 (D 2066 LF 27)		Diesel		10518	257	350	05.04-	*	*
26.350, 26.360 (D 2066 LF 33)		Diesel		10518	257	350	05.04-	*	*
26.350, 26.360 (D 2066 LF 38)		Diesel		10518	257	350	05.04-	*	*
26.350, 26.360 (D 2066 LF 03)		Diesel		10518	257	350	05.04-	*	*
26.350, 26.360 (D 2066 LF 13)		Diesel		10518	257	350	05.04-	*	*
26.350, 26.360 (D 2066 LF 33)		Diesel		10518	257	350	05.04-	*	*
26.350, 26.360 (D 2066 LF 38)		Diesel		10518	257	350	05.04-	*	*
28.350 (D 2066 LF 03)		Diesel		10518	257	350	07.06-	*	*
28.350 (D 2066 LF 13)		Diesel		10518	257	350	07.06-	*	*
28.350, 28.360 (D 2066 LF 03)		Diesel		10518	257	350	06.04-	*	*
28.350, 28.360 (D 2066 LF 13)		Diesel		10518	257	350	06.04-	*	*
28.350, 28.360 (D 2066 LF 27)		Diesel		10518	257	350	06.04-	*	*
28.350, 28.360 (D 2066 LF 38)		Diesel		10518	257	350	06.04-	*	*
28.350, 28.360 (D 2066 LF 03)		Diesel		10518	257	350	07.06-	*	*
28.350, 28.360 (D 2066 LF 13)		Diesel		10518	257	350	07.06-	*	*
28.350, 28.360 (D 2066 LF 38)		Diesel		10518	257	350	07.06-	*	*
32.350, 32.360 (D 2066 LF 03)		Diesel		10518	257	350	05.04-	*	*
32.350, 32.360 (D 2066 LF 13)		Diesel		10518	257	350	05.04-	*	*
32.350, 32.360 (D 2066 LF 33)		Diesel		10518	257	350	05.04-	*	*
32.350, 32.360 (D 2066 LF 38)		Diesel		10518	257	350	05.04-	*	*
33.350, 33.360 (D 2066 LF 03)		Diesel		10518	257	350	05.04-	*	*
33.350, 33.360 (D 2066 LF 07)		Diesel		10518	257	350	05.04-	*	*
33.350, 33.360 (D 2066 LF 13)		Diesel		10518	257	350	05.04-	*	*
33.350, 33.360 (D 2066 LF 33)		Diesel		10518	257	350	05.04-	*	*
33.350, 33.360 (D 2066 LF 38)		Diesel		10518	257	350	05.04-	*	*
33.350, 33.360 (D 2066 LF 03)		Diesel		10518	257	350	06.05-	*	*
33.350, 33.360 (D 2066 LF 07)		Diesel		10518	257	350	06.05-	*	*
33.350, 33.360 (D 2066 LF 13)		Diesel		10518	257	350	06.05-	*	*
33.350, 33.360 (D 2066 LF 33)		Diesel		10518	257	350	06.05-	*	*
33.350, 33.360 (D 2066 LF 38)		Diesel		10518	257	350	06.05-	*	*
35.350 (D 2066 LF 03)		Diesel		10518	257	350	07.06-	*	*
35.350 (D 2066 LF 13)		Diesel		10518	257	350	07.06-	*	*
35.350, 35.360 (D 2066 LF 03)		Diesel		10518	257	350	02.04-	*	*
35.350, 35.360 (D 2066 LF 13)		Diesel		10518	257	350	02.04-	*	*
35.350, 35.360 (D 2066 LF 33)		Diesel		10518	257	350	02.04-	*	*
35.350, 35.360 (D 2066 LF 38)		Diesel		10518	257	350	02.04-	*	*
37.350, 37.360 (D 2066 LF 03)		Diesel		10518	257	350	12.04-	*	*
37.350, 37.360 (D 2066 LF 13)		Diesel		10518	257	350	12.04-	*	*
37.350, 37.360 (D 2066 LF 33)		Diesel		10518	257	350	12.04-	*	*
37.350, 37.360 (D 2066 LF 38)		Diesel		10518	257	350	12.04-	*	*
41.350, 41.360 (D 2066 LF 03)		Diesel		10518	257	350	12.04-	*	*
41.350, 41.360 (D 2066 LF 07)		Diesel		10518	257	350	12.04-	*	*
41.350, 41.360 (D 2066 LF 13)		Diesel		10518	257	350	12.04-	*	*
41.350, 41.360 (D 2066 LF 33)		Diesel		10518	257	350	12.04-	*	*
41.350, 41.360 (D 2066 LF 38)		Diesel		10518	257	350	12.04-	*	*
26.360 (D 2066 LF 07)		Diesel		10518	265	360	05.04-	*	*
26.360 (D 2066 LF 38)		Diesel		10518	265	360	04.06-	*	*
26.360 (D 2066 LF 38)		Diesel		10518	265	360	04.06-	*	*

LISTA DE APLICACIONES - BUYERS GUIDE

26.360 (D 2066 LF 38)		Diesel		10518	265	360	04.06-	*	*
28.360 (D 2066 LF 38)		Diesel		10518	265	360	07.06-	*	*
35.360 (D 2066 LF 38)		Diesel		10518	265	360	07.06-	*	*
35.360 (D 2066 LF 38)		Diesel		10518	265	360	07.06-	*	*
41.360 (D 2066 LF 07)		Diesel		10518	265	360	12.08-	*	*
18.390, 18.400 (D 2066 LF 02)		Diesel		10518	287	390	05.04-	*	*
18.390, 18.400 (D 2066 LF 12)		Diesel		10518	287	390	05.04-	*	*
18.390, 18.400 (D 2066 LF 26)		Diesel		10518	287	390	05.04-	*	*
18.390, 18.400 (D 2066 LF 32)		Diesel		10518	287	390	05.04-	*	*
18.390, 18.400 (D 2066 LF 37)		Diesel		10518	287	390	05.04-	*	*
18.390, 18.400 (D 2066 LF 02)		Diesel		10518	287	390	05.04-	*	*
18.390, 18.400 (D 2066 LF 12)		Diesel		10518	287	390	05.04-	*	*
18.390, 18.400 (D 2066 LF 32)		Diesel		10518	287	390	05.04-	*	*
18.390, 18.400 (D 2066 LF 37)		Diesel		10518	287	390	05.04-	*	*
24.390, 24.400 (D 2066 LF 02)		Diesel		10518	287	390	05.04-	*	*
24.390, 24.400 (D 2066 LF 12)		Diesel		10518	287	390	05.04-	*	*
24.390, 24.400 (D 2066 LF 26)		Diesel		10518	287	390	05.04-	*	*
24.390, 24.400 (D 2066 LF 32)		Diesel		10518	287	390	05.04-	*	*
24.390, 24.400 (D 2066 LF 37)		Diesel		10518	287	390	05.04-	*	*
26.390 (D 2066 LF 02)		Diesel		10518	287	390	02.04-	*	*
26.390 (D 2066 LF 12)		Diesel		10518	287	390	02.04-	*	*
26.390, 26.400 (D 2066 LF 02)		Diesel		10518	287	390	05.04-	*	*
26.390, 26.400 (D 2066 LF 12)		Diesel		10518	287	390	05.04-	*	*
26.390, 26.400 (D 2066 LF 24)		Diesel		10518	287	390	05.04-	*	*
26.390, 26.400 (D 2066 LF 26)		Diesel		10518	287	390	05.04-	*	*
26.390, 26.400 (D 2066 LF 32)		Diesel		10518	287	390	05.04-	*	*
26.390, 26.400 (D 2066 LF 37)		Diesel		10518	287	390	05.04-	*	*
26.390, 26.400 (D 2066 LF 02)		Diesel		10518	287	390	05.04-	*	*
26.390, 26.400 (D 2066 LF 06)		Diesel		10518	287	390	05.04-	*	*
26.390, 26.400 (D 2066 LF 12)		Diesel		10518	287	390	05.04-	*	*
26.390, 26.400 (D 2066 LF 32)		Diesel		10518	287	390	05.04-	*	*
26.390, 26.400 (D 2066 LF 37)		Diesel		10518	287	390	05.04-	*	*
28.390 (D 2066 LF 02)		Diesel		10518	287	390	07.06-	*	*
28.390 (D 2066 LF 12)		Diesel		10518	287	390	07.06-	*	*
28.390, 28.400 (D 2066 LF 02)		Diesel		10518	287	390	06.04-	*	*
28.390, 28.400 (D 2066 LF 12)		Diesel		10518	287	390	06.04-	*	*
28.390, 28.400 (D 2066 LF 26)		Diesel		10518	287	390	06.04-	*	*
28.390, 28.400 (D 2066 LF 37)		Diesel		10518	287	390	06.04-	*	*
32.390, 32.400 (D 2066 LF 02)		Diesel		10518	287	390	05.04-	*	*
32.390, 32.400 (D 2066 LF 12)		Diesel		10518	287	390	05.04-	*	*
32.390, 32.400 (D 2066 LF 32)		Diesel		10518	287	390	05.04-	*	*
32.390, 32.400 (D 2066 LF 37)		Diesel		10518	287	390	05.04-	*	*
33.390, 33.400 (D 2066 LF 02)		Diesel		10518	287	390	05.04-	*	*
33.390, 33.400 (D 2066 LF 06)		Diesel		10518	287	390	05.04-	*	*
33.390, 33.400 (D 2066 LF 12)		Diesel		10518	287	390	05.04-	*	*
33.390, 33.400 (D 2066 LF 32)		Diesel		10518	287	390	05.04-	*	*
33.390, 33.400 (D 2066 LF 37)		Diesel		10518	287	390	05.04-	*	*
35.390 (D 2066 LF 02)		Diesel		10518	287	390	07.06-	*	*
35.390 (D 2066 LF 12)		Diesel		10518	287	390	07.06-	*	*
35.390 (D 2066 LF 02)		Diesel		10518	287	390	07.06-	*	*
35.390 (D 2066 LF 12)		Diesel		10518	287	390	07.06-	*	*

LISTA DE APLICACIONES - BUYERS GUIDE

35.390, 35.400 (D 2066 LF 02)		Diesel		10518	287	390	02.04-	*	*
35.390, 35.400 (D 2066 LF 06)		Diesel		10518	287	390	02.04-	*	*
35.390, 35.400 (D 2066 LF 12)		Diesel		10518	287	390	02.04-	*	*
35.390, 35.400 (D 2066 LF 32)		Diesel		10518	287	390	02.04-	*	*
35.390, 35.400 (D 2066 LF 37)		Diesel		10518	287	390	02.04-	*	*
37.390, 37.400 (D 2066 LF 02)		Diesel		10518	287	390	12.04-	*	*
37.390, 37.400 (D 2066 LF 12)		Diesel		10518	287	390	12.04-	*	*
37.390, 37.400 (D 2066 LF 32)		Diesel		10518	287	390	12.04-	*	*
37.390, 37.400 (D 2066 LF 37)		Diesel		10518	287	390	12.04-	*	*
39.390 (D 2066 LF 12)		Diesel		10518	287	390	07.06-	*	*
41.390, 41.400 (D 2066 LF 02)		Diesel		10518	287	390	12.04-	*	*
41.390, 41.400 (D 2066 LF 06)		Diesel		10518	287	390	12.04-	*	*
41.390, 41.400 (D 2066 LF 12)		Diesel		10518	287	390	12.04-	*	*
41.390, 41.400 (D 2066 LF 32)		Diesel		10518	287	390	12.04-	*	*
41.390, 41.400 (D 2066 LF 37)		Diesel		10518	287	390	12.04-	*	*
26.400 (D 2066 LF 37)		Diesel		10518	294	400	04.06-	*	*
28.400 (D 2066 LF 37)		Diesel		10518	294	400	07.06-	*	*
35.400 (D 2066 LF 37)		Diesel		10518	294	400	07.06-	*	*
35.400 (D 2066 LF 37)		Diesel		10518	294	400	11.06-	*	*
35.400 (D 2066 LF 37)		Diesel		10518	294	400	07.06-	*	*
39.400 (D 2066 LF 37)		Diesel		10518	294	400	07.06-	*	*
41.400 (D 2066 LF 06)		Diesel		10518	294	400	12.08-	*	*
18.430, 18.440 (D 2066 LF 01)		Diesel		10518	316	430	05.04-	*	*
18.430, 18.440 (D 2066 LF 11)		Diesel		10518	316	430	05.04-	*	*
18.430, 18.440 (D 2066 LF 25)		Diesel		10518	316	430	05.04-	*	*
18.430, 18.440 (D 2066 LF 31)		Diesel		10518	316	430	05.04-	*	*
18.430, 18.440 (D 2066 LF 36)		Diesel		10518	316	430	05.04-	*	*
18.430, 18.440 (D 2066 LF 01)		Diesel		10518	316	430	05.04-	*	*
18.430, 18.440 (D 2066 LF 11)		Diesel		10518	316	430	05.04-	*	*
18.430, 18.440 (D 2066 LF 31)		Diesel		10518	316	430	05.04-	*	*
18.430, 18.440 (D 2066 LF 36)		Diesel		10518	316	430	05.04-	*	*
24.430, 24.440 (D 2066 LF 01)		Diesel		10518	316	430	05.04-	*	*
24.430, 24.440 (D 2066 LF 11)		Diesel		10518	316	430	05.04-	*	*
24.430, 24.440 (D 2066 LF 23)		Diesel		10518	316	430	05.04-	*	*
24.430, 24.440 (D 2066 LF 25)		Diesel		10518	316	430	05.04-	*	*
24.430, 24.440 (D 2066 LF 31)		Diesel		10518	316	430	05.04-	*	*
24.430, 24.440 (D 2066 LF 36)		Diesel		10518	316	430	05.04-	*	*
26.430, 26.440 (D 2066 LF 01)		Diesel		10518	316	430	05.04-	*	*
26.430, 26.440 (D 2066 LF 11)		Diesel		10518	316	430	05.04-	*	*
26.430, 26.440 (D 2066 LF 23)		Diesel		10518	316	430	05.04-	*	*
26.430, 26.440 (D 2066 LF 25)		Diesel		10518	316	430	05.04-	*	*
26.430, 26.440 (D 2066 LF 31)		Diesel		10518	316	430	05.04-	*	*
26.430, 26.440 (D 2066 LF 36)		Diesel		10518	316	430	05.04-	*	*
26.430, 26.440 (D 2066 LF 01)		Diesel		10518	316	430	05.04-	*	*
26.430, 26.440 (D 2066 LF 11)		Diesel		10518	316	430	05.04-	*	*
26.430, 26.440 (D 2066 LF 31)		Diesel		10518	316	430	05.04-	*	*
26.430, 26.440 (D 2066 LF 36)		Diesel		10518	316	430	05.04-	*	*
26.430, 26.440 (D 2066 LF 01)		Diesel		10518	316	430	06.05-	*	*
26.430, 26.440 (D 2066 LF 11)		Diesel		10518	316	430	06.05-	*	*
26.430, 26.440 (D 2066 LF 31)		Diesel		10518	316	430	06.05-	*	*
26.430, 26.440 (D 2066 LF 36)		Diesel		10518	316	430	06.05-	*	*

LISTA DE APLICACIONES - BUYERS GUIDE

28.430 (D 2066 LF 01)		Diesel		10518	316	430	07.06-	*	*
28.430 (D 2066 LF 11)		Diesel		10518	316	430	07.06-	*	*
28.430, 28.440 (D 2066 LF 01)		Diesel		10518	316	430	06.04-	*	*
28.430, 28.440 (D 2066 LF 11)		Diesel		10518	316	430	06.04-	*	*
28.430, 28.440 (D 2066 LF 25)		Diesel		10518	316	430	06.04-	*	*
28.430, 28.440 (D 2066 LF 36)		Diesel		10518	316	430	06.04-	*	*
32.430, 32.440 (D 2066 LF 01)		Diesel		10518	316	430	05.04-	*	*
32.430, 32.440 (D 2066 LF 11)		Diesel		10518	316	430	05.04-	*	*
32.430, 32.440 (D 2066 LF 31)		Diesel		10518	316	430	05.04-	*	*
32.430, 32.440 (D 2066 LF 36)		Diesel		10518	316	430	05.04-	*	*
33.430, 33.440 (D 2066 LF 01)		Diesel		10518	316	430	05.04-	*	*
33.430, 33.440 (D 2066 LF 11)		Diesel		10518	316	430	05.04-	*	*
33.430, 33.440 (D 2066 LF 31)		Diesel		10518	316	430	05.04-	*	*
33.430, 33.440 (D 2066 LF 36)		Diesel		10518	316	430	05.04-	*	*
35.430 (D 2066 LF 01)		Diesel		10518	316	430	07.06-	*	*
35.430 (D 2066 LF 11)		Diesel		10518	316	430	07.06-	*	*
35.430 (D 2066 LF 01)		Diesel		10518	316	430	07.06-	*	*
35.430 (D 2066 LF 11)		Diesel		10518	316	430	07.06-	*	*
35.430, 35.440 (D 2066 LF 01)		Diesel		10518	316	430	02.04-	*	*
35.430, 35.440 (D 2066 LF 11)		Diesel		10518	316	430	02.04-	*	*
35.430, 35.440 (D 2066 LF 31)		Diesel		10518	316	430	02.04-	*	*
35.430, 35.440 (D 2066 LF 36)		Diesel		10518	316	430	02.04-	*	*
37.430, 37.440 (D 2066 LF 01)		Diesel		10518	316	430	12.04-	*	*
37.430, 37.440 (D 2066 LF 11)		Diesel		10518	316	430	12.04-	*	*
37.430, 37.440 (D 2066 LF 31)		Diesel		10518	316	430	12.04-	*	*
37.430, 37.440 (D 2066 LF 36)		Diesel		10518	316	430	12.04-	*	*
39.430 (D 2066 LF 01)		Diesel		10518	316	430	07.06-	*	*
39.430 (D 2066 LF 11)		Diesel		10518	316	430	07.06-	*	*
41.430, 41.440 (D 2066 LF 01)		Diesel		10518	316	430	12.04-	*	*
41.430, 41.440 (D 2066 LF 11)		Diesel		10518	316	430	12.04-	*	*
41.430, 41.440 (D 2066 LF 31)		Diesel		10518	316	430	12.04-	*	*
28.440 (D 2066 LF 36)		Diesel		10518	324	440	01.04-10.08	*	*
35.440 (D 2066 LF 36)		Diesel		10518	324	440	07.06-	*	*
35.440 (D 2066 LF 36)		Diesel		10518	324	440	11.06-	*	*
35.440 (D 2066 LF 36)		Diesel		10518	324	440	07.06-	*	*
39.440 (D 2066 LF 36)		Diesel		10518	324	440	07.06-	*	*
18.310, 18.320 (D 2866 LF26)		Diesel		11967	228	310	04.00-	*	*
18.310, 18.320 (D 2866 LF36)		Diesel		11967	228	310	04.00-	*	*
26.310 (D 2866 LF26)		Diesel		11967	228	310	09.00-	*	*
26.310 (D 2866 LF36)		Diesel		11967	228	310	09.00-	*	*
26.310 (D 2866 LF26)		Diesel		11967	228	310	01.01-	*	*
26.310 (D 2866 LF36)		Diesel		11967	228	310	09.03-	*	*
28.310 (D 2866 LF26)		Diesel		11967	228	310	09.02-	*	*
28.310 (D 2866 LF26)		Diesel		11967	228	310	09.02-	*	*
32.310 (D 2866 LF26)		Diesel		11967	228	310	01.02-	*	*
35.310 (D 2866 LF26)		Diesel		11967	228	310	06.03-	*	*
37.310 (D 2866 LF26)		Diesel		11967	228	310	12.04-	*	*
18.360 (D 2866 LF27)		Diesel		11967	265	360	04.00-	*	*
18.360 (D 2866 LF37)		Diesel		11967	265	360	04.00-	*	*
24.360 (D 2866 LF27)		Diesel		11967	265	360	09.01-	*	*
26.360 (D 2866 LF27)		Diesel		11967	265	360	09.00-	*	*

LISTA DE APLICACIONES - BUYERS GUIDE

26.360 (D 2866 LF37)		Diesel		11967	265	360	09.00-	*	*
26.360 (D 2866 LF27)		Diesel		11967	265	360	01.01-	*	*
26.360 (D 2866 LF37)		Diesel		11967	265	360	01.01-	*	*
28.360 (D 2866 LF27)		Diesel		11967	265	360	09.02-	*	*
28.360 (D 2866 LF27)		Diesel		11967	265	360	07.06-	*	*
28.360 (D 2866 LF27)		Diesel		11967	265	360	09.02-	*	*
32.360 (D 2866 LF27)		Diesel		11967	265	360	01.02-	*	*
33.360 (D 2866 LF27)		Diesel		11967	265	360	10.00-	*	*
33.360 (D 2866 LF37)		Diesel		11967	265	360	10.00-	*	*
33.360 (D 2866 LF27)		Diesel		11967	265	360	09.02-	*	*
33.360 (D 2866 LF37)		Diesel		11967	265	360	09.02-	*	*
35.360 (D 2866 LF27)		Diesel		11967	265	360	10.03-	*	*
35.360 (D 2866 LF27)		Diesel		11967	265	360	07.06-	*	*
37.360 (D 2866 LF27)		Diesel		11967	265	360	12.04-	*	*
41.360 (D 2866 LF27)		Diesel		11967	265	360	01.03-	*	*
41.360 (D 2866 LF37)		Diesel		11967	265	360	01.03-	*	*
18.410, 18.420 (D 2866 LF28)		Diesel		11967	301	410	04.00-	*	*
18.410, 18.420 (D 2866 LF32)		Diesel		11967	301	410	04.00-	*	*
24.410 (D 2866 LF28)		Diesel		11967	301	410	09.01-	*	*
26.410 (D 2866 LF28)		Diesel		11967	301	410	04.00-	*	*
26.410 (D 2866 LF32)		Diesel		11967	301	410	04.00-	*	*
26.410 (D 2866 LF28)		Diesel		11967	301	410	01.01-	*	*
26.410 (D 2866 LF32)		Diesel		11967	301	410	01.01-	*	*
26.410 (D 2866 LF28)		Diesel		11967	301	410	09.03-	*	*
28.410 (D 2866 LF28)		Diesel		11967	301	410	09.02-	*	*
28.410 (D 2866 LF28)		Diesel		11967	301	410	07.06-	*	*
28.410 (D 2866 LF28)		Diesel		11967	301	410	09.02-	*	*
32.410 (D 2866 LF28)		Diesel		11967	301	410	01.02-	*	*
33.410 (D 2866 LF28)		Diesel		11967	301	410	10.00-	*	*
33.410 (D 2866 LF32)		Diesel		11967	301	410	10.00-	*	*
33.410 (D 2866 LF28)		Diesel		11967	301	410	09.02-	*	*
33.410 (D 2866 LF32)		Diesel		11967	301	410	09.02-	*	*
35.410 (D 2866 LF28)		Diesel		11967	301	410	10.03-	*	*
35.410 (D 2866 LF28)		Diesel		11967	301	410	07.06-	*	*
35.410 (D 2866 LF28)		Diesel		11967	301	410	07.06-	*	*
37.410 (D 2866 LF28)		Diesel		11967	301	410	12.04-	*	*
41.410 (D 2866 LF28)		Diesel		11967	301	410	09.03-	*	*
41.410 (D 2866 LF32)		Diesel		11967	301	410	09.03-	*	*
26.440 (D 2676 LF 04)		Diesel		12419	324	440	02.06-	*	*
33.440 (D 2676 LF 04)		Diesel		12419	324	440	06.05-	*	*
41.440 (D 2676 LF 04)		Diesel		12419	324	440	12.04-	*	*
18.480 (D 2676 LF 01)		Diesel		12419	353	480	01.06-	*	*
18.480 (D 2676 LF 05)		Diesel		12419	353	480	01.06-	*	*
18.480 (D 2676 LF 14)		Diesel		12419	353	480	01.06-	*	*
24.480 (D 2676 LF 01)		Diesel		12419	353	480	01.06-	*	*
24.480 (D 2676 LF 05)		Diesel		12419	353	480	01.06-	*	*
24.480 (D 2676 LF 12)		Diesel		12419	353	480	01.06-	*	*
24.480 (D 2676 LF 14)		Diesel		12419	353	480	01.06-	*	*
26.480 (D 2676 LF 01)		Diesel		12419	353	480	02.06-	*	*
26.480 (D 2676 LF 02)		Diesel		12419	353	480	02.06-	*	*
26.480 (D 2676 LF 03)		Diesel		12419	353	480	02.06-	*	*

LISTA DE APLICACIONES - BUYERS GUIDE

26.480 (D 2676 LF 05)		Diesel		12419	353	480	02.06-	*	*
26.480 (D 2676 LF 01)		Diesel		12419	353	480	02.06-	*	*
26.480 (D 2676 LF 02)		Diesel		12419	353	480	02.06-	*	*
26.480 (D 2676 LF 05)		Diesel		12419	353	480	02.06-	*	*
26.480 (D 2676 LF 12)		Diesel		12419	353	480	02.06-	*	*
26.480 (D 2676 LF 14)		Diesel		12419	353	480	02.06-	*	*
28.480 (D 2676 LF 02)		Diesel		12419	353	480	02.06-	*	*
28.480 (D 2676 LF 05)		Diesel		12419	353	480	02.06-	*	*
28.480 (D 2676 LF 14)		Diesel		12419	353	480	02.06-	*	*
28.480 (D 2676 LF 05)		Diesel		12419	353	480	07.06-	*	*
32.480 (D 2676 LF 01)		Diesel		12419	353	480	02.06-	*	*
32.480 (D 2676 LF 05)		Diesel		12419	353	480	02.06-	*	*
33.480 (D 2676 LF 01)		Diesel		12419	353	480	01.06-	*	*
33.480 (D 2676 LF 02)		Diesel		12419	353	480	01.06-	*	*
33.480 (D 2676 LF 03)		Diesel		12419	353	480	01.06-	*	*
33.480 (D 2676 LF 05)		Diesel		12419	353	480	01.06-	*	*
35.480 (D 2676 LF 01)		Diesel		12419	353	480	02.04-	*	*
35.480 (D 2676 LF 05)		Diesel		12419	353	480	02.04-	*	*
35.480 (D 2676 LF 05)		Diesel		12419	353	480	07.06-	*	*
35.480 (D 2676 LF 05)		Diesel		12419	353	480	11.06-	*	*
35.480 (D 2676 LF 05)		Diesel		12419	353	480	07.06-	*	*
37.480 (D 2676 LF 01)		Diesel		12419	353	480	02.06-	*	*
37.480 (D 2676 LF 05)		Diesel		12419	353	480	02.06-	*	*
39.480 (D 2676 LF 05)		Diesel		12419	353	480	07.06-	*	*
41.480 (D 2676 LF 01)		Diesel		12419	353	480	02.06-	*	*
41.480 (D 2676 LF 02)		Diesel		12419	353	480	02.06-	*	*
41.480 (D 2676 LF 03)		Diesel		12419	353	480	02.06-	*	*
41.480 (D 2676 LF 05)		Diesel		12419	353	480	02.06-	*	*
18.540 (D 2676 LF 13)		Diesel		12419	397	540	08.06-	*	*
24.540 (D 2676 LF 11)		Diesel		12419	397	540	01.06-	*	*
24.540 (D 2676 LF 13)		Diesel		12419	397	540	01.06-	*	*
26.540 (D 2676 LF 13)		Diesel		12419	397	540	08.06-	*	*
28.540 (D 2676 LF 13)		Diesel		12419	397	540	08.06-	*	*
18.460 (D 2876 LF 04)		Diesel		12816	338	460	04.00-	*	*
18.460 (D 2876 LF 07)		Diesel		12816	338	460	04.00-	*	*
24.460 (D 2876 LF 04)		Diesel		12816	338	460	09.01-	*	*
26.460 (D 2876 LF 04)		Diesel		12816	338	460	04.00-	*	*
26.460 (D 2876 LF 07)		Diesel		12816	338	460	04.00-	*	*
26.460 (D 2876 LF 04)		Diesel		12816	338	460	01.01-	*	*
26.460 (D 2876 LF 07)		Diesel		12816	338	460	01.01-	*	*
26.460 (D 2876 LF 04)		Diesel		12816	338	460	02.01-	*	*
26.460 (D 2876 LF 07)		Diesel		12816	338	460	02.01-	*	*
28.460 (D 2876 LF 04)		Diesel		12816	338	460	09.02-	*	*
32.460 (D 2876 LF 04)		Diesel		12816	338	460	01.02-	*	*
33.460 (D 2876 LF 04)		Diesel		12816	338	460	09.02-	*	*
33.460 (D 2876 LF 07)		Diesel		12816	338	460	09.02-	*	*
35.460 (D 2876 LF 04)		Diesel		12816	338	460	10.03-	*	*
35.460 (D 2876 LF 04)		Diesel		12816	338	460	07.06-	*	*
37.460 (D 2876 LF 04)		Diesel		12816	338	460	12.04-	*	*
41.460 (D 2876 LF 07)		Diesel		12816	338	460	09.03-	*	*
18.480 (D 2876 LF 12)		Diesel		12816	353	480	09.02-	*	*

LISTA DE APLICACIONES - BUYERS GUIDE

24.480 (D 2876 LF 12)		Diesel		12816	353	480	09.02-	*	*
26.480 (D 2876 LF 12)		Diesel		12816	353	480	09.02-	*	*
26.480 (D 2876 LF 25)		Diesel		12816	353	480	09.02-	*	*
26.480 (D 2876 LF 12)		Diesel		12816	353	480	09.02-	*	*
28.390 (D 2876 LF 12)		Diesel		12816	353	480	07.06-	*	*
28.480 (D 2876 LF 12)		Diesel		12816	353	480	09.02-	*	*
28.480 (D 2876 LF 12)		Diesel		12816	353	480	07.06-	*	*
32.480 (D 2876 LF 12)		Diesel		12816	353	480	09.02-	*	*
33.480 (D 2876 LF 12)		Diesel		12816	353	480	09.02-	*	*
33.480 (D 2876 LF 25)		Diesel		12816	353	480	09.02-	*	*
33.480 (D 2876 LF 12)		Diesel		12816	353	480	09.02-	*	*
33.480 (D 2876 LF 25)		Diesel		12816	353	480	09.02-	*	*
35.480 (D 2876 LF 12)		Diesel		12816	353	480	10.03-	*	*
35.480 (D 2876 LF 12)		Diesel		12816	353	480	07.06-	*	*
35.480 (D 2876 LF 12)		Diesel		12816	353	480	07.06-	*	*
37.480 (D 2876 LF 12)		Diesel		12816	353	480	12.04-	*	*
41.480 (D 2876 LF 12)		Diesel		12816	353	480	06.05-	*	*
41.480 (D 2876 LF 25)		Diesel		12816	353	480	06.05-	*	*
18.510 (D 2876 LF 05)		Diesel		12816	375	510	09.00-	*	*
24.510 (D 2876 LF 05)		Diesel		12816	375	510	09.01-	*	*
26.510 (D 2876 LF 05)		Diesel		12816	375	510	12.00-	*	*
26.510 (D 2876 LF 05)		Diesel		12816	375	510	01.01-	*	*
28.510 (D 2876 LF 05)		Diesel		12816	375	510	09.02-	*	*
33.510 (D 2876 LF 05)		Diesel		12816	375	510	09.02-	*	*
18.530 (D 2876 LF 13)		Diesel		12816	390	530	09.02-	*	*
24.530 (D 2876 LF 13)		Diesel		12816	390	530	09.01-	*	*
26.530 (D 2876 LF 13)		Diesel		12816	390	530	09.02-	*	*
26.530 (D 2876 LF 13)		Diesel		12816	390	530	01.01-	*	*
28.530 (D 2876 LF 13)		Diesel		12816	390	530	09.02-	*	*
28.530 (D 2876 LF 13)		Diesel		12816	390	530	07.06-	*	*
33.530 (D 2876 LF 13)		Diesel		12816	390	530	09.02-	*	*
35.530 (D 2876 LF 13)		Diesel		12816	390	530	04.04-	*	*
35.530 (D 2876 LF 13)		Diesel		12816	390	530	04.04-	*	*
35.530 (D 2876 LF 13)		Diesel		12816	390	530	07.06-	*	*
37.530 (D 2876 LF 13)		Diesel		12816	390	530	12.04-	*	*
41.530 (D 2876 LF 13)		Diesel		12816	390	530	12.04-	*	*
TGA 03.00-							Camión volquete		
18.310, 18.320 (D 2066 LF 04)		Diesel		10518	228	310	05.04-	*	*
18.310, 18.320 (D 2066 LF 14)		Diesel		10518	228	310	05.04-	*	*
18.310, 18.320 (D 2066 LF 35)		Diesel		10518	228	310	05.04-	*	*
18.310, 18.320 (D 2066 LF 39)		Diesel		10518	228	310	05.04-	*	*
18.310, 18.320 (D 2066 LF 04)		Diesel		10518	228	310	05.04-	*	*
18.310, 18.320 (D 2066 LF 14)		Diesel		10518	228	310	05.04-	*	*
18.310, 18.320 (D 2066 LF 35)		Diesel		10518	228	310	05.04-	*	*
18.310, 18.320 (D 2066 LF 39)		Diesel		10518	228	310	05.04-	*	*
26.310, 26.320 (D 2066 LF 04)		Diesel		10518	228	310	05.04-	*	*
26.310, 26.320 (D 2066 LF 14)		Diesel		10518	228	310	05.04-	*	*
26.310, 26.320 (D 2066 LF 35)		Diesel		10518	228	310	05.04-	*	*
26.310, 26.320 (D 2066 LF 39)		Diesel		10518	228	310	05.04-	*	*
26.310, 26.320 (D 2066 LF 04)		Diesel		10518	228	310	06.05-	*	*
26.310, 26.320 (D 2066 LF 35)		Diesel		10518	228	310	06.05-	*	*

LISTA DE APLICACIONES - BUYERS GUIDE

26.310, 26.320 (D 2066 LF 39)		Diesel		10518	228	310	06.05-	*	*
35.310, 35.320 (D 2066 LF 04)		Diesel		10518	228	310	02.04-	*	*
35.310, 35.320 (D 2066 LF 35)		Diesel		10518	228	310	02.04-	*	*
35.310, 35.320 (D 2066 LF 39)		Diesel		10518	228	310	02.04-	*	*
37.310, 37.320 (D 2066 LF 04)		Diesel		10518	228	310	12.04-	*	*
37.310, 37.320 (D 2066 LF 35)		Diesel		10518	228	310	12.04-	*	*
37.310, 37.320 (D 2066 LF 39)		Diesel		10518	228	310	12.04-	*	*
18.350, 18.360 (D 2066 LF 03)		Diesel		10518	257	350	05.04-	*	*
18.350, 18.360 (D 2066 LF 13)		Diesel		10518	257	350	05.04-	*	*
18.350, 18.360 (D 2066 LF 33)		Diesel		10518	257	350	05.04-	*	*
18.350, 18.360 (D 2066 LF 38)		Diesel		10518	257	350	05.04-	*	*
18.350, 18.360 (D 2066 LF 03)		Diesel		10518	257	350	05.04-	*	*
18.350, 18.360 (D 2066 LF 13)		Diesel		10518	257	350	05.04-	*	*
18.350, 18.360 (D 2066 LF 33)		Diesel		10518	257	350	05.04-	*	*
18.350, 18.360 (D 2066 LF 38)		Diesel		10518	257	350	05.04-	*	*
26.350, 26.360 (D 2066 LF 03)		Diesel		10518	257	350	05.04-	*	*
26.350, 26.360 (D 2066 LF 13)		Diesel		10518	257	350	05.04-	*	*
26.350, 26.360 (D 2066 LF 33)		Diesel		10518	257	350	05.04-	*	*
26.350, 26.360 (D 2066 LF 38)		Diesel		10518	257	350	05.04-	*	*
28.350 (D 2066 LF 03)		Diesel		10518	257	350	07.06-	*	*
28.350 (D 2066 LF 13)		Diesel		10518	257	350	07.06-	*	*
33.350, 33.360 (D 2066 LF 03)		Diesel		10518	257	350	05.04-	*	*
33.350, 33.360 (D 2066 LF 07)		Diesel		10518	257	350	05.04-	*	*
33.350, 33.360 (D 2066 LF 13)		Diesel		10518	257	350	05.04-	*	*
33.350, 33.360 (D 2066 LF 33)		Diesel		10518	257	350	05.04-	*	*
33.350, 33.360 (D 2066 LF 38)		Diesel		10518	257	350	05.04-	*	*
33.350, 33.360 (D 2066 LF 03)		Diesel		10518	257	350	06.05-	*	*
33.350, 33.360 (D 2066 LF 07)		Diesel		10518	257	350	06.05-	*	*
33.350, 33.360 (D 2066 LF 13)		Diesel		10518	257	350	06.05-	*	*
33.350, 33.360 (D 2066 LF 33)		Diesel		10518	257	350	06.05-	*	*
33.350, 33.360 (D 2066 LF 38)		Diesel		10518	257	350	06.05-	*	*
35.350 (D 2066 LF 03)		Diesel		10518	257	350	07.06-	*	*
35.350 (D 2066 LF 13)		Diesel		10518	257	350	07.06-	*	*
35.350, 35.360 (D 2066 LF 03)		Diesel		10518	257	350	02.04-	*	*
35.350, 35.360 (D 2066 LF 13)		Diesel		10518	257	350	02.04-	*	*
35.350, 35.360 (D 2066 LF 33)		Diesel		10518	257	350	02.04-	*	*
35.350, 35.360 (D 2066 LF 38)		Diesel		10518	257	350	02.04-	*	*
37.350, 37.360 (D 2066 LF 03)		Diesel		10518	257	350	12.04-	*	*
37.350, 37.360 (D 2066 LF 13)		Diesel		10518	257	350	12.04-	*	*
37.350, 37.360 (D 2066 LF 33)		Diesel		10518	257	350	12.04-	*	*
37.350, 37.360 (D 2066 LF 38)		Diesel		10518	257	350	12.04-	*	*
41.350, 41.360 (D 2066 LF 03)		Diesel		10518	257	350	12.04-	*	*
41.350, 41.360 (D 2066 LF 07)		Diesel		10518	257	350	12.04-	*	*
41.350, 41.360 (D 2066 LF 13)		Diesel		10518	257	350	12.04-	*	*
41.350, 41.360 (D 2066 LF 33)		Diesel		10518	257	350	12.04-	*	*
41.350, 41.360 (D 2066 LF 38)		Diesel		10518	257	350	12.04-	*	*
28.360 (D 2066 LF 38)		Diesel		10518	265	360	07.06-	*	*
35.360 (D 2066 LF 38)		Diesel		10518	265	360	07.06-	*	*
18.390, 18.400 (D 2066 LF 02)		Diesel		10518	287	390	05.04-	*	*
18.390, 18.400 (D 2066 LF 12)		Diesel		10518	287	390	05.04-	*	*
18.390, 18.400 (D 2066 LF 32)		Diesel		10518	287	390	05.04-	*	*

LISTA DE APLICACIONES - BUYERS GUIDE

18.390, 18.400 (D 2066 LF 37)		Diesel		10518	287	390	05.04-	*	*
18.390, 18.400 (D 2066 LF 02)		Diesel		10518	287	390	05.04-	*	*
18.390, 18.400 (D 2066 LF 12)		Diesel		10518	287	390	05.04-	*	*
18.390, 18.400 (D 2066 LF 32)		Diesel		10518	287	390	05.04-	*	*
18.390, 18.400 (D 2066 LF 37)		Diesel		10518	287	390	05.04-	*	*
26.390, 26.400 (D 2066 LF 02)		Diesel		10518	287	390	05.04-	*	*
26.390, 26.400 (D 2066 LF 12)		Diesel		10518	287	390	05.04-	*	*
26.390, 26.400 (D 2066 LF 32)		Diesel		10518	287	390	05.04-	*	*
26.390, 26.400 (D 2066 LF 37)		Diesel		10518	287	390	05.04-	*	*
28.390 (D 2066 LF 02)		Diesel		10518	287	390	07.06-	*	*
28.390 (D 2066 LF 12)		Diesel		10518	287	390	07.06-	*	*
33.390, 33.400 (D 2066 LF 02)		Diesel		10518	287	390	05.04-	*	*
33.390, 33.400 (D 2066 LF 06)		Diesel		10518	287	390	05.04-	*	*
33.390, 33.400 (D 2066 LF 12)		Diesel		10518	287	390	05.04-	*	*
33.390, 33.400 (D 2066 LF 32)		Diesel		10518	287	390	05.04-	*	*
33.390, 33.400 (D 2066 LF 37)		Diesel		10518	287	390	05.04-	*	*
35.390 (D 2066 LF 02)		Diesel		10518	287	390	02.04-	*	*
35.390 (D 2066 LF 12)		Diesel		10518	287	390	02.04-	*	*
35.390 (D 2066 LF 02)		Diesel		10518	287	390	07.06-	*	*
35.390 (D 2066 LF 12)		Diesel		10518	287	390	07.06-	*	*
35.390, 35.400 (D 2066 LF 02)		Diesel		10518	287	390	02.04-	*	*
35.390, 35.400 (D 2066 LF 12)		Diesel		10518	287	390	02.04-	*	*
35.390, 35.400 (D 2066 LF 32)		Diesel		10518	287	390	02.04-	*	*
35.390, 35.400 (D 2066 LF 37)		Diesel		10518	287	390	02.04-	*	*
37.390, 37.400 (D 2066 LF 02)		Diesel		10518	287	390	12.04-	*	*
37.390, 37.400 (D 2066 LF 12)		Diesel		10518	287	390	12.04-	*	*
37.390, 37.400 (D 2066 LF 32)		Diesel		10518	287	390	12.04-	*	*
37.390, 37.400 (D 2066 LF 37)		Diesel		10518	287	390	12.04-	*	*
40.390, 40.400 (D 2066 LF 02)		Diesel		10518	287	390	06.05-	*	*
40.390, 40.400 (D 2066 LF 06)		Diesel		10518	287	390	06.05-	*	*
41.390 (D 2066 LF 02)		Diesel		10518	287	390	12.04-	*	*
41.390, 41.400 (D 2066 LF 02)		Diesel		10518	287	390	12.04-	*	*
41.390, 41.400 (D 2066 LF 06)		Diesel		10518	287	390	12.04-	*	*
41.390, 41.400 (D 2066 LF 12)		Diesel		10518	287	390	12.04-	*	*
41.390, 41.400 (D 2066 LF 32)		Diesel		10518	287	390	12.04-	*	*
41.390, 41.400 (D 2066 LF 37)		Diesel		10518	287	390	12.04-	*	*
28.400 (D 2066 LF 37)		Diesel		10518	294	400	07.06-	*	*
35.400 (D 2066 LF 37)		Diesel		10518	294	400	07.06-	*	*
35.400 (D 2066 LF 37)		Diesel		10518	294	400	02.04-	*	*
18.430, 18.440 (D 2066 LF 01)		Diesel		10518	316	430	05.04-	*	*
18.430, 18.440 (D 2066 LF 11)		Diesel		10518	316	430	05.04-	*	*
18.430, 18.440 (D 2066 LF 31)		Diesel		10518	316	430	05.04-	*	*
18.430, 18.440 (D 2066 LF 36)		Diesel		10518	316	430	05.04-	*	*
18.430, 18.440 (D 2066 LF 01)		Diesel		10518	316	430	05.04-	*	*
18.430, 18.440 (D 2066 LF 11)		Diesel		10518	316	430	05.04-	*	*
18.430, 18.440 (D 2066 LF 31)		Diesel		10518	316	430	05.04-	*	*
18.430, 18.440 (D 2066 LF 36)		Diesel		10518	316	430	05.04-	*	*
26.430, 26.440 (D 2066 LF 01)		Diesel		10518	316	430	05.04-	*	*
26.430, 26.440 (D 2066 LF 11)		Diesel		10518	316	430	05.04-	*	*
26.430, 26.440 (D 2066 LF 31)		Diesel		10518	316	430	05.04-	*	*
26.430, 26.440 (D 2066 LF 36)		Diesel		10518	316	430	05.04-	*	*

LISTA DE APLICACIONES - BUYERS GUIDE

28.430 (D 2066 LF 01)		Diesel		10518	316	430	07.06-	*	*
28.430 (D 2066 LF 11)		Diesel		10518	316	430	07.06-	*	*
33.430, 33.440 (D 2066 LF 01)		Diesel		10518	316	430	05.04-	*	*
33.430, 33.440 (D 2066 LF 11)		Diesel		10518	316	430	05.04-	*	*
33.430, 33.440 (D 2066 LF 31)		Diesel		10518	316	430	05.04-	*	*
33.430, 33.440 (D 2066 LF 36)		Diesel		10518	316	430	05.04-	*	*
35.430 (D 2066 LF 01)		Diesel		10518	316	430	07.06-	*	*
35.430 (D 2066 LF 11)		Diesel		10518	316	430	07.06-	*	*
35.430 (D 2066 LF 01)		Diesel		10518	316	430	07.06-	*	*
35.430 (D 2066 LF 11)		Diesel		10518	316	430	07.06-	*	*
35.430, 35.440 (D 2066 LF 01)		Diesel		10518	316	430	02.04-	*	*
35.430, 35.440 (D 2066 LF 11)		Diesel		10518	316	430	02.04-	*	*
35.430, 35.440 (D 2066 LF 31)		Diesel		10518	316	430	02.04-	*	*
35.430, 35.440 (D 2066 LF 36)		Diesel		10518	316	430	02.04-	*	*
37.430, 37.440 (D 2066 LF 01)		Diesel		10518	316	430	12.04-	*	*
37.430, 37.440 (D 2066 LF 11)		Diesel		10518	316	430	12.04-	*	*
37.430, 37.440 (D 2066 LF 31)		Diesel		10518	316	430	12.04-	*	*
37.430, 37.440 (D 2066 LF 36)		Diesel		10518	316	430	12.04-	*	*
40.430 (D 2066 LF 01)		Diesel		10518	316	430	06.05-	*	*
41.430 (D 2066 LF 01)		Diesel		10518	316	430	12.04-	*	*
41.430 (D 2066 LF 11)		Diesel		10518	316	430	12.04-	*	*
41.430 (D 2066 LF 11)		Diesel		10518	316	430	07.06-	*	*
41.430, 41.440 (D 2066 LF 01)		Diesel		10518	316	430	12.04-	*	*
41.430, 41.440 (D 2066 LF 11)		Diesel		10518	316	430	12.04-	*	*
41.430, 41.440 (D 2066 LF 31)		Diesel		10518	316	430	12.04-	*	*
41.430, 41.440 (D 2066 LF 36)		Diesel		10518	316	430	12.04-	*	*
28.440 (D 2066 LF 36)		Diesel		10518	324	440	01.04-10.08	*	*
35.440 (D 2066 LF 36)		Diesel		10518	324	440	07.06-	*	*
41.440 (D 2066 LF 36)		Diesel		10518	324	440	07.06-	*	*
41.440 (D 2066 LF 36)		Diesel		10518	324	440	07.06-	*	*
18.310, 18.320 (D 2866 LF26)		Diesel		11967	228	310	12.00-	*	*
18.310, 18.320 (D 2866 LF36)		Diesel		11967	228	310	12.00-	*	*
26.310 (D 2866 LF26)		Diesel		11967	228	310	09.02-	*	*
32.310 (D 2866 LF26)		Diesel		11967	228	310	01.02-	*	*
35.310 (D 2866 LF26)		Diesel		11967	228	310	06.03-	*	*
37.310 (D 2866 LF26)		Diesel		11967	228	310	12.04-	*	*
18.360 (D 2866 LF27)		Diesel		11967	265	360	12.00-	*	*
18.360 (D 2866 LF37)		Diesel		11967	265	360	12.00-	*	*
26.360 (D 2866 LF27)		Diesel		11967	265	360	09.02-	*	*
26.360 (D 2866 LF37)		Diesel		11967	265	360	09.02-	*	*
28.360 (D 2866 LF27)		Diesel		11967	265	360	07.06-	*	*
33.360 (D 2866 LF27)		Diesel		11967	265	360	01.01-	*	*
33.360 (D 2866 LF37)		Diesel		11967	265	360	01.01-	*	*
33.360 (D 2866 LF27)		Diesel		11967	265	360	09.02-	*	*
33.360 (D 2866 LF37)		Diesel		11967	265	360	09.02-	*	*
35.360 (D 2866 LF27)		Diesel		11967	265	360	10.03-	*	*
37.360 (D 2866 LF27)		Diesel		11967	265	360	12.04-	*	*
41.360 (D 2866 LF37)		Diesel		11967	265	360	09.03-	*	*
18.410, 18.420 (D 2866 LF28)		Diesel		11967	301	410	12.00-	*	*
18.410, 18.420 (D 2866 LF32)		Diesel		11967	301	410	12.00-	*	*
26.410 (D 2866 LF28)		Diesel		11967	301	410	09.01-	*	*

LISTA DE APLICACIONES - BUYERS GUIDE

26.410 (D 2866 LF32)		Diesel		11967	301	410	09.01-	*	*
28.410 (D 2866 LF28)		Diesel		11967	301	410	07.06-	*	*
32.410 (D 2866 LF28)		Diesel		11967	301	410	01.02-	*	*
33.410 (D 2866 LF28)		Diesel		11967	301	410	10.00-	*	*
33.410 (D 2866 LF32)		Diesel		11967	301	410	10.00-	*	*
33.410 (D 2866 LF28)		Diesel		11967	301	410	09.02-	*	*
33.410 (D 2866 LF32)		Diesel		11967	301	410	09.02-	*	*
35.410 (D 2866 LF28)		Diesel		11967	301	410	10.03-	*	*
35.410 (D 2866 LF28)		Diesel		11967	301	410	07.06-	*	*
35.410 (D 2866 LF28)		Diesel		11967	301	410	07.06-	*	*
37.410 (D 2866 LF28)		Diesel		11967	301	410	12.04-	*	*
40.410 (D 2866 LF28)		Diesel		11967	301	410	04.04-	*	*
40.410 (D 2866 LF32)		Diesel		11967	301	410	04.04-	*	*
41.410 (D 2866 LF28)		Diesel		11967	301	410	09.03-	*	*
41.410 (D 2866 LF32)		Diesel		11967	301	410	09.03-	*	*
41.410 (D 2866 LF28)		Diesel		11967	301	410	07.06-	*	*
41.410 (D 2866 LF28)		Diesel		11967	301	410	07.06-	*	*
33.440 (D 2676 LF 04)		Diesel		12419	324	440	06.05-	*	*
40.440 (D 2676 LF 04)		Diesel		12419	324	440	06.05-	*	*
41.440 (D 2676 LF 04)		Diesel		12419	324	440	12.04-	*	*
18.480 (D 2676 LF 01)		Diesel		12419	353	480	01.06-	*	*
18.480 (D 2676 LF 05)		Diesel		12419	353	480	01.06-	*	*
26.480 (D 2676 LF 01)		Diesel		12419	353	480	02.06-	*	*
26.480 (D 2676 LF 05)		Diesel		12419	353	480	02.06-	*	*
28.480 (D 2676 LF 05)		Diesel		12419	353	480	07.06-	*	*
33.480 (D 2676 LF 01)		Diesel		12419	353	480	01.06-	*	*
33.480 (D 2676 LF 02)		Diesel		12419	353	480	01.06-	*	*
33.480 (D 2676 LF 03)		Diesel		12419	353	480	01.06-	*	*
33.480 (D 2676 LF 05)		Diesel		12419	353	480	01.06-	*	*
35.480 (D 2676 LF 01)		Diesel		12419	353	480	02.04-	*	*
35.480 (D 2676 LF 05)		Diesel		12419	353	480	02.04-	*	*
35.480 (D 2676 LF 02)		Diesel		12419	353	480	07.06-	*	*
35.480 (D 2676 LF 05)		Diesel		12419	353	480	07.06-	*	*
35.480 (D 2676 LF 05)		Diesel		12419	353	480	07.06-	*	*
37.480 (D 2676 LF 01)		Diesel		12419	353	480	02.06-	*	*
37.480 (D 2676 LF 05)		Diesel		12419	353	480	02.06-	*	*
40.480 (D 2676 LF 02)		Diesel		12419	353	480	06.05-	*	*
40.480 (D 2676 LF 03)		Diesel		12419	353	480	06.05-	*	*
41.480 (D 2676 LF 01)		Diesel		12419	353	480	02.06-	*	*
41.480 (D 2676 LF 02)		Diesel		12419	353	480	02.06-	*	*
41.480 (D 2676 LF 03)		Diesel		12419	353	480	02.06-	*	*
41.480 (D 2676 LF 05)		Diesel		12419	353	480	02.06-	*	*
41.480 (D 2676 LF 02)		Diesel		12419	353	480	07.06-	*	*
41.480 (D 2676 LF 05)		Diesel		12419	353	480	07.06-	*	*
41.480 (D 2676 LF 03)		Diesel		12419	353	480	12.08-	*	*
41.480 (D 2676 LF 05)		Diesel		12419	353	480	07.06-	*	*
18.460 (D 2876 LF 04)		Diesel		12816	338	460	12.00-	*	*
18.460 (D 2876 LF 07)		Diesel		12816	338	460	12.00-	*	*
26.460 (D 2876 LF 04)		Diesel		12816	338	460	01.01-	*	*
26.460 (D 2876 LF 07)		Diesel		12816	338	460	01.01-	*	*
32.460 (D 2876 LF 04)		Diesel		12816	338	460	01.02-	*	*

LISTA DE APLICACIONES - BUYERS GUIDE

33.460 (D 2876 LF 04)		Diesel		12816	338	460	09.02-	*	*
33.460 (D 2876 LF 07)		Diesel		12816	338	460	09.02-	*	*
35.460 (D 2876 LF 04)		Diesel		12816	338	460	10.03-	*	*
37.460 (D 2876 LF 04)		Diesel		12816	338	460	12.04-	*	*
40.460 (D 2876 LF 07)		Diesel		12816	338	460	04.04-	*	*
41.460 (D 2876 LF 07)		Diesel		12816	338	460	09.03-	*	*
18.480 (D 2876 LF 12)		Diesel		12816	353	480	09.02-	*	*
26.480 (D 2876 LF 12)		Diesel		12816	353	480	09.02-	*	*
28.480 (D 2876 LF 12)		Diesel		12816	353	480	07.06-	*	*
32.480 (D 2876 LF 12)		Diesel		12816	353	480	09.02-	*	*
33.480 (D 2876 LF 12)		Diesel		12816	353	480	09.02-	*	*
33.480 (D 2876 LF 25)		Diesel		12816	353	480	09.02-	*	*
33.480 (D 2876 LF 12)		Diesel		12816	353	480	09.02-	*	*
33.480 (D 2876 LF 25)		Diesel		12816	353	480	09.02-	*	*
35.480 (D 2876 LF 12)		Diesel		12816	353	480	10.03-	*	*
35.480 (D 2876 LF 12)		Diesel		12816	353	480	07.06-	*	*
35.480 (D 2876 LF 12)		Diesel		12816	353	480	07.06-	*	*
37.480 (D 2876 LF 12)		Diesel		12816	353	480	12.04-	*	*
40.480 (D 2876 LF 12)		Diesel		12816	353	480	04.04-	*	*
40.480 (D 2876 LF 25)		Diesel		12816	353	480	04.04-	*	*
41.480 (D 2876 LF 12)		Diesel		12816	353	480	06.05-	*	*
41.480 (D 2876 LF 25)		Diesel		12816	353	480	06.05-	*	*
41.480 (D 2876 LF 12)		Diesel		12816	353	480	07.06-	*	*
41.480 (D 2876 LF 12)		Diesel		12816	353	480	07.06-	*	*
41.480 (D 2876 LF 12)		Diesel		12816	353	480	07.06-	*	*
41.530 (D 2876 LF 12)		Diesel		12816	353	480	07.06-	*	*
26.530 (D 2876 LF 13)		Diesel		12816	390	530	09.02-	*	*
28.530 (D 2876 LF 13)		Diesel		12816	390	530	07.06-	*	*
33.530 (D 2876 LF 13)		Diesel		12816	390	530	09.02-	*	*
33.530 (D 2876 LF 13)		Diesel		12816	390	530	07.03-	*	*
35.530 (D 2876 LF 13)		Diesel		12816	390	530	04.04-	*	*
35.530 (D 2876 LF 13)		Diesel		12816	390	530	07.06-	*	*
35.530 (D 2876 LF 13)		Diesel		12816	390	530	07.06-	*	*
37.530 (D 2876 LF 13)		Diesel		12816	390	530	12.04-	*	*
41.530 (D 2876 LF 13)		Diesel		12816	390	530	07.06-	*	*
41.530 (D 2876 LF 13)		Diesel		12816	390	530	07.06-	*	*
41.530 (D 2876 LF 13)		Diesel		12816	390	530	12.04-	*	*
TGA 03.00-				Hormigonera					
26.310, 26.320 (D 2066 LF 04)		Diesel		10518	228	310	06.05-	*	*
26.310, 26.320 (D 2066 LF 14)		Diesel		10518	228	310	06.05-	*	*
26.310, 26.320 (D 2066 LF 35)		Diesel		10518	228	310	06.05-	*	*
26.310, 26.320 (D 2066 LF 39)		Diesel		10518	228	310	06.05-	*	*
35.310, 35.320 (D 2066 LF 04)		Diesel		10518	228	310	02.04-	*	*
35.310, 35.320 (D 2066 LF 35)		Diesel		10518	228	310	02.04-	*	*
35.310, 35.320 (D 2066 LF 39)		Diesel		10518	228	310	02.04-	*	*
37.310, 37.320 (D 2066 LF 04)		Diesel		10518	228	310	12.04-	*	*
37.310, 37.320 (D 2066 LF 35)		Diesel		10518	228	310	12.04-	*	*
37.310, 37.320 (D 2066 LF 39)		Diesel		10518	228	310	12.04-	*	*
26.350, 26.360 (D 2066 LF 03)		Diesel		10518	257	350	02.04-	*	*
26.350, 26.360 (D 2066 LF 13)		Diesel		10518	257	350	02.04-	*	*
26.350, 26.360 (D 2066 LF 33)		Diesel		10518	257	350	02.04-	*	*

LISTA DE APLICACIONES - BUYERS GUIDE

26.350, 26.360 (D 2066 LF 38)		Diesel		10518	257	350	02.04-	*	*
32.350, 32.360 (D 2066 LF 03)		Diesel		10518	257	350	02.04-	*	*
32.350, 32.360 (D 2066 LF 13)		Diesel		10518	257	350	02.04-	*	*
32.350, 32.360 (D 2066 LF 33)		Diesel		10518	257	350	02.04-	*	*
32.350, 32.360 (D 2066 LF 38)		Diesel		10518	257	350	02.04-	*	*
33.350 (D 2066 LF 03)		Diesel		10518	257	350	09.07-	*	*
35.350 (D 2066 LF 03)		Diesel		10518	257	350	07.06-	*	*
35.350 (D 2066 LF 13)		Diesel		10518	257	350	07.06-	*	*
35.350, 35.360 (D 2066 LF 03)		Diesel		10518	257	350	02.04-	*	*
35.350, 35.360 (D 2066 LF 13)		Diesel		10518	257	350	02.04-	*	*
35.350, 35.360 (D 2066 LF 33)		Diesel		10518	257	350	02.04-	*	*
35.350, 35.360 (D 2066 LF 38)		Diesel		10518	257	350	02.04-	*	*
37.350, 37.360 (D 2066 LF 03)		Diesel		10518	257	350	12.04-	*	*
37.350, 37.360 (D 2066 LF 13)		Diesel		10518	257	350	12.04-	*	*
37.350, 37.360 (D 2066 LF 33)		Diesel		10518	257	350	12.04-	*	*
37.350, 37.360 (D 2066 LF 38)		Diesel		10518	257	350	12.04-	*	*
41.350 (D 2066 LF 03)		Diesel		10518	257	350	09.07-	*	*
41.350, 41.360 (D 2066 LF 03)		Diesel		10518	257	350	12.04-	*	*
41.350, 41.360 (D 2066 LF 07)		Diesel		10518	257	350	12.04-	*	*
41.350, 41.360 (D 2066 LF 13)		Diesel		10518	257	350	12.04-	*	*
41.350, 41.360 (D 2066 LF 33)		Diesel		10518	257	350	12.04-	*	*
41.350, 41.360 (D 2066 LF 38)		Diesel		10518	257	350	12.04-	*	*
33.360 (D 2066 LF 07)		Diesel		10518	265	360	09.07-	*	*
35.360 (D 2066 LF 38)		Diesel		10518	265	360	07.06-	*	*
41.360 (D 2066 LF 07)		Diesel		10518	265	360	09.07-	*	*
26.390, 26.400 (D 2066 LF 02)		Diesel		10518	287	390	05.04-	*	*
26.390, 26.400 (D 2066 LF 12)		Diesel		10518	287	390	05.04-	*	*
26.390, 26.400 (D 2066 LF 32)		Diesel		10518	287	390	05.04-	*	*
26.390, 26.400 (D 2066 LF 37)		Diesel		10518	287	390	05.04-	*	*
32.390, 32.400 (D 2066 LF 02)		Diesel		10518	287	390	05.04-	*	*
32.390, 32.400 (D 2066 LF 12)		Diesel		10518	287	390	05.04-	*	*
32.390, 32.400 (D 2066 LF 32)		Diesel		10518	287	390	05.04-	*	*
32.390, 32.400 (D 2066 LF 37)		Diesel		10518	287	390	05.04-	*	*
33.390, 33.400 (D 2066 LF 02)		Diesel		10518	287	390	09.07-	*	*
33.390, 33.400 (D 2066 LF 06)		Diesel		10518	287	390	09.07-	*	*
35.390 (D 2066 LF 02)		Diesel		10518	287	390	07.06-	*	*
35.390 (D 2066 LF 12)		Diesel		10518	287	390	07.06-	*	*
35.390, 35.400 (D 2066 LF 02)		Diesel		10518	287	390	02.04-	*	*
35.390, 35.400 (D 2066 LF 12)		Diesel		10518	287	390	02.04-	*	*
35.390, 35.400 (D 2066 LF 32)		Diesel		10518	287	390	02.04-	*	*
35.390, 35.400 (D 2066 LF 37)		Diesel		10518	287	390	02.04-	*	*
37.390, 37.400 (D 2066 LF 02)		Diesel		10518	287	390	12.04-	*	*
37.390, 37.400 (D 2066 LF 12)		Diesel		10518	287	390	12.04-	*	*
37.390, 37.400 (D 2066 LF 32)		Diesel		10518	287	390	12.04-	*	*
37.390, 37.400 (D 2066 LF 37)		Diesel		10518	287	390	12.04-	*	*
41.390 (D 2066 LF 02)		Diesel		10518	287	390	09.07-	*	*
41.390, 41.400 (D 2066 LF 02)		Diesel		10518	287	390	12.04-	*	*
41.390, 41.400 (D 2066 LF 06)		Diesel		10518	287	390	12.04-	*	*
41.390, 41.400 (D 2066 LF 12)		Diesel		10518	287	390	12.04-	*	*
41.390, 41.400 (D 2066 LF 32)		Diesel		10518	287	390	12.04-	*	*
41.390, 41.400 (D 2066 LF 37)		Diesel		10518	287	390	12.04-	*	*

LISTA DE APLICACIONES - BUYERS GUIDE

35.400 (D 2066 LF 37)		Diesel		10518	294	400	07.06-	*	*
41.400 (D 2066 LF 06)		Diesel		10518	294	400	09.07-	*	*
26.430, 26.440 (D 2066 LF 01)		Diesel		10518	316	430	05.04-	*	*
26.430, 26.440 (D 2066 LF 11)		Diesel		10518	316	430	05.04-	*	*
26.430, 26.440 (D 2066 LF 31)		Diesel		10518	316	430	05.04-	*	*
26.430, 26.440 (D 2066 LF 36)		Diesel		10518	316	430	05.04-	*	*
32.430, 32.440 (D 2066 LF 01)		Diesel		10518	316	430	05.04-	*	*
32.430, 32.440 (D 2066 LF 11)		Diesel		10518	316	430	05.04-	*	*
32.430, 32.440 (D 2066 LF 31)		Diesel		10518	316	430	05.04-	*	*
32.430, 32.440 (D 2066 LF 36)		Diesel		10518	316	430	05.04-	*	*
35.430 (D 2066 LF 01)		Diesel		10518	316	430	07.06-	*	*
35.430 (D 2066 LF 11)		Diesel		10518	316	430	07.06-	*	*
35.430, 35.440 (D 2066 LF 01)		Diesel		10518	316	430	02.04-	*	*
35.430, 35.440 (D 2066 LF 11)		Diesel		10518	316	430	02.04-	*	*
35.430, 35.440 (D 2066 LF 31)		Diesel		10518	316	430	02.04-	*	*
35.430, 35.440 (D 2066 LF 36)		Diesel		10518	316	430	02.04-	*	*
37.430, 37.440 (D 2066 LF 01)		Diesel		10518	316	430	12.04-	*	*
37.430, 37.440 (D 2066 LF 11)		Diesel		10518	316	430	12.04-	*	*
37.430, 37.440 (D 2066 LF 31)		Diesel		10518	316	430	12.04-	*	*
37.430, 37.440 (D 2066 LF 36)		Diesel		10518	316	430	12.04-	*	*
41.430 (D 2066 LF 01)		Diesel		10518	316	430	09.07-	*	*
41.430, 41.440 (D 2066 LF 01)		Diesel		10518	316	430	12.04-	*	*
41.430, 41.440 (D 2066 LF 11)		Diesel		10518	316	430	12.04-	*	*
41.430, 41.440 (D 2066 LF 31)		Diesel		10518	316	430	12.04-	*	*
41.430, 41.440 (D 2066 LF 36)		Diesel		10518	316	430	12.04-	*	*
35.440 (D 2066 LF 36)		Diesel		10518	324	440	07.06-	*	*
26.310 (D 2866 LF26)		Diesel		11967	228	310	10.00-	*	*
32.310 (D 2866 LF26)		Diesel		11967	228	310	01.02-	*	*
35.310 (D 2866 LF26)		Diesel		11967	228	310	11.03-	*	*
37.310 (D 2866 LF26)		Diesel		11967	228	310	12.04-	*	*
26.360 (D 2866 LF27)		Diesel		11967	265	360	01.01-	*	*
32.360 (D 2866 LF27)		Diesel		11967	265	360	01.02-	*	*
33.360 (D 2866 LF27)		Diesel		11967	265	360	01.01-	*	*
35.360 (D 2866 LF27)		Diesel		11967	265	360	11.03-	*	*
37.360 (D 2866 LF27)		Diesel		11967	265	360	12.04-	*	*
41.360 (D 2866 LF27)		Diesel		11967	265	360	12.04-	*	*
26.410 (D 2866 LF28)		Diesel		11967	301	410	01.01-	*	*
32.410 (D 2866 LF28)		Diesel		11967	301	410	01.02-	*	*
33.410 (D 2866 LF28)		Diesel		11967	301	410	10.00-	*	*
35.410 (D 2866 LF28)		Diesel		11967	301	410	11.03-	*	*
37.410 (D 2866 LF28)		Diesel		11967	301	410	12.04-	*	*
41.410 (D 2866 LF28)		Diesel		11967	301	410	12.04-	*	*
33.440 (D 2676 LF 04)		Diesel		12419	324	440	09.07-	*	*
41.440 (D 2676 LF 04)		Diesel		12419	324	440	12.04-	*	*
41.440 (D 2676 LF 04)		Diesel		12419	324	440	09.07-	*	*
26.480 (D 2676 LF 01)		Diesel		12419	353	480	02.06-	*	*
26.480 (D 2676 LF 05)		Diesel		12419	353	480	02.06-	*	*
32.480 (D 2676 LF 01)		Diesel		12419	353	480	02.06-	*	*
32.480 (D 2676 LF 05)		Diesel		12419	353	480	02.06-	*	*
33.480 (D 2676 LF 02)		Diesel		12419	353	480	09.07-	*	*
33.480 (D 2676 LF 03)		Diesel		12419	353	480	09.07-	*	*

LISTA DE APLICACIONES - BUYERS GUIDE

35.480 (D 2676 LF 01)		Diesel		12419	353	480	02.04-	*	*
35.480 (D 2676 LF 05)		Diesel		12419	353	480	02.04-	*	*
35.480 (D 2676 LF 05)		Diesel		12419	353	480	07.06-	*	*
37.480 (D 2676 LF 01)		Diesel		12419	353	480	02.06-	*	*
37.480 (D 2676 LF 05)		Diesel		12419	353	480	02.06-	*	*
41.480 (D 2676 LF 01)		Diesel		12419	353	480	02.06-	*	*
41.480 (D 2676 LF 03)		Diesel		12419	353	480	02.06-	*	*
41.480 (D 2676 LF 05)		Diesel		12419	353	480	02.06-	*	*
41.480 (D 2676 LF 02)		Diesel		12419	353	480	09.07-	*	*
41.480 (D 2676 LF 03)		Diesel		12419	353	480	09.07-	*	*
26.460 (D 2876 LF 04)		Diesel		12816	338	460	01.01-	*	*
26.460 (D 2876 LF 07)		Diesel		12816	338	460	01.01-	*	*
32.460 (D 2876 LF 04)		Diesel		12816	338	460	01.02-	*	*
33.460 (D 2876 LF 04)		Diesel		12816	338	460	09.02-	*	*
35.460 (D 2876 LF 04)		Diesel		12816	338	460	11.03-	*	*
37.460 (D 2876 LF 04)		Diesel		12816	338	460	12.04-	*	*
41.460 (D 2876 LF 04)		Diesel		12816	338	460	12.04-	*	*
26.480 (D 2876 LF 12)		Diesel		12816	353	480	09.02-	*	*
26.480 (D 2876 LF 25)		Diesel		12816	353	480	09.02-	*	*
32.480 (D 2876 LF 12)		Diesel		12816	353	480	09.02-	*	*
33.480 (D 2876 LF 12)		Diesel		12816	353	480	09.02-	*	*
35.480 (D 2876 LF 12)		Diesel		12816	353	480	11.03-	*	*
37.480 (D 2876 LF 12)		Diesel		12816	353	480	12.04-	*	*
41.480 (D 2876 LF 12)		Diesel		12816	353	480	12.04-	*	*
35.530 (D 2876 LF 13)		Diesel		12816	390	530	04.04-	*	*
37.530 (D 2876 LF 13)		Diesel		12816	390	530	12.04-	*	*
41.530 (D 2876 LF 13)		Diesel		12816	390	530	12.04-	*	*
TGA 03.00-							Veh. Municipal		
26.310, 26.320 (D 2066 LF 04)		Diesel		10518	228	310	06.05-	*	*
26.310, 26.320 (D 2066 LF 35)		Diesel		10518	228	310	06.05-	*	*
26.310, 26.320 (D 2066 LF 39)		Diesel		10518	228	310	06.05-	*	*
26.310, 26.320 (D 2066 LF 04)		Diesel		10518	228	310	02.04-	*	*
26.310, 26.320 (D 2066 LF 14)		Diesel		10518	228	310	02.04-	*	*
26.310, 26.320 (D 2066 LF 35)		Diesel		10518	228	310	02.04-	*	*
26.310, 26.320 (D 2066 LF 39)		Diesel		10518	228	310	02.04-	*	*
26.350, 26.360 (D 2066 LF 03)		Diesel		10518	257	350	06.05-	*	*
26.350, 26.360 (D 2066 LF 13)		Diesel		10518	257	350	06.05-	*	*
26.350, 26.360 (D 2066 LF 33)		Diesel		10518	257	350	06.05-	*	*
26.350, 26.360 (D 2066 LF 38)		Diesel		10518	257	350	06.05-	*	*
26.350, 26.360 (D 2066 LF 03)		Diesel		10518	257	350	01.04-	*	*
26.350, 26.360 (D 2066 LF 13)		Diesel		10518	257	350	01.04-	*	*
26.350, 26.360 (D 2066 LF 33)		Diesel		10518	257	350	01.04-	*	*
26.350, 26.360 (D 2066 LF 38)		Diesel		10518	257	350	01.04-	*	*
26.390, 26.400 (D 2066 LF 02)		Diesel		10518	287	390	06.05-	*	*
26.390, 26.400 (D 2066 LF 12)		Diesel		10518	287	390	06.05-	*	*
26.390, 26.400 (D 2066 LF 32)		Diesel		10518	287	390	06.05-	*	*
26.390, 26.400 (D 2066 LF 37)		Diesel		10518	287	390	06.05-	*	*
26.390, 26.400 (D 2066 LF 02)		Diesel		10518	287	390	02.04-	*	*
26.390, 26.400 (D 2066 LF 12)		Diesel		10518	287	390	02.04-	*	*
26.390, 26.400 (D 2066 LF 32)		Diesel		10518	287	390	02.04-	*	*
26.390, 26.400 (D 2066 LF 37)		Diesel		10518	287	390	02.04-	*	*

LISTA DE APLICACIONES - BUYERS GUIDE

26.430 (D 2066 LF 01)		Diesel		10518	316	430	12.00-	*	*
26.430 (D 2066 LF 11)		Diesel		10518	316	430	12.00-	*	*
26.440 (D 2066 LF 36)		Diesel		10518	324	440	09.05-	*	*
26.310 (D 2866 LF26)		Diesel		11967	228	310	12.00-	*	*
26.310 (D 2866 LF36)		Diesel		11967	228	310	12.00-	*	*
26.360 (D 2866 LF27)		Diesel		11967	265	360	12.00-	*	*
26.360 (D 2866 LF37)		Diesel		11967	265	360	12.00-	*	*
26.410 (D 2866 LF28)		Diesel		11967	301	410	12.00-	*	*
26.410 (D 2866 LF32)		Diesel		11967	301	410	12.00-	*	*
26.480 (D 2676 LF 01)		Diesel		12419	353	480	02.06-	*	*
26.480 (D 2676 LF 05)		Diesel		12419	353	480	02.06-	*	*
26.480 (D 2676 LF 05)		Diesel		12419	353	480	01.06-	*	*
26.460 (D 2876 LF 04)		Diesel		12816	338	460	12.00-	*	*
26.460 (D 2876 LF 07)		Diesel		12816	338	460	12.00-	*	*
26.480 (D 2876 LF 12)		Diesel		12816	353	480	09.02-	*	*
TGM 05.05-									Caja/Chasis
15.240 (D 0836 LFL 40)		Diesel		6871	176	240	10.05-03.22	*	*
15.240 (D 0836 LFL 50)		Diesel		6871	176	240	10.05-03.22	*	*
15.240 (D 0836 LFL 53)		Diesel		6871	176	240	10.05-03.22	*	*
18.240 (D 0836 LFL 40)		Diesel		6871	176	240	10.05-03.22	*	*
18.240 (D 0836 LFL 53)		Diesel		6871	176	240	10.05-03.22	*	*
18.240 (D 0836 LFL 40)		Diesel		6871	176	240	10.05-03.22	*	*
18.240 (D 0836 LFL 53)		Diesel		6871	176	240	10.05-03.22	*	*
22.240 (D 0836 LFL 53)		Diesel		6871	176	240	10.05-03.22	*	*
12.250 (D 0836 LFL 63)		Diesel		6871	184	250	10.05-03.22	*	*
13.250 (D 0836 LFL 63)		Diesel		6871	184	250	10.05-03.22	*	*
15.250 (D 0836 LFL 63)		Diesel		6871	184	250	10.05-03.22	*	*
18.250 (D 0836 LFL 63)		Diesel		6871	184	250	10.05-03.22	*	*
18.250 (D 0836 LFL 63)		Diesel		6871	184	250	10.05-03.22	*	*
22.250 (D 0836 LFL 63)		Diesel		6871	184	250	10.05-03.22	*	*
15.280 (D 0836 LFL 41)		Diesel		6871	206	280	10.05-03.22	*	*
15.280 (D 0836 LFL 51)		Diesel		6871	206	280	10.05-03.22	*	*
15.280 (D 0836 LFL 54)		Diesel		6871	206	280	10.05-03.22	*	*
18.280 (D 0836 LFL 41)		Diesel		6871	206	280	10.05-03.22	*	*
18.280 (D 0836 LFL 54)		Diesel		6871	206	280	10.05-03.22	*	*
18.280 (D 0836 LFL 41)		Diesel		6871	206	280	10.05-03.22	*	*
18.280 (D 0836 LFL 51)		Diesel		6871	206	280	10.05-03.22	*	*
18.280 (D 0836 LFL 54)		Diesel		6871	206	280	10.05-03.22	*	*
22.280 (D 0836 LFL 54)		Diesel		6871	206	280	10.05-03.22	*	*
26.280 (D 0836 LFL 54)		Diesel		6871	206	280	10.05-03.22	*	*
26.280 (D 0836 LFL 54)		Diesel		6871	206	280	10.05-03.22	*	*
12.290 (D 0836 LFL 64)		Diesel		6871	213	290	10.05-03.22	*	*
13.290 (D 0836 LFL 64)		Diesel		6871	213	290	10.05-03.22	*	*
15.290 (D 0836 LFL 64)		Diesel		6871	213	290	10.05-03.22	*	*
18.290 (D 0836 LFL 64)		Diesel		6871	213	290	10.05-03.22	*	*
18.290 (D 0836 LFL 64)		Diesel		6871	213	290	10.05-03.22	*	*
22.290 (D 0836 LFL 64)		Diesel		6871	213	290	10.05-03.22	*	*
26.290 (D 0836 LFL 64)		Diesel		6871	213	290	10.05-03.22	*	*
26.290 (D 0836 LFL 64)		Diesel		6871	213	290	10.05-03.22	*	*
15.330 (D 0836 LFL 44)		Diesel		6871	240	326	10.05-03.22	*	*
15.330 (D 0836 LFL 55)		Diesel		6871	240	326	10.05-03.22	*	*

LISTA DE APLICACIONES - BUYERS GUIDE

18.330 (D 0836 LFL 44)		Diesel		6871	240	326	10.05-03.22	*	*	
18.330 (D 0836 LFL 55)		Diesel		6871	240	326	10.05-03.22	*	*	
18.330 (D 0836 LFL 44)		Diesel		6871	240	326	10.05-03.22	*	*	
18.330 (D 0836 LFL 52)		Diesel		6871	240	326	10.05-03.22	*	*	
18.330 (D 0836 LFL 55)		Diesel		6871	240	326	10.05-03.22	*	*	
26.330 (D 0836 LFL 55)		Diesel		6871	240	326	10.05-03.22	*	*	
26.330 (D 0836 LFL 55)		Diesel		6871	240	326	10.05-03.22	*	*	
15.340 (D 0836 LFL 65)		Diesel		6871	250	340	10.05-03.22	*	*	
18.340 (D 0836 LFL 65)		Diesel		6871	250	340	10.05-03.22	*	*	
18.340 (D 0836 LFL 65)		Diesel		6871	250	340	10.05-03.22	*	*	
26.340 (D 0836 LFL 65)		Diesel		6871	250	340	10.05-03.22	*	*	
26.340 (D 0836 LFL 65)		Diesel		6871	250	340	10.05-03.22	*	*	
TGM 05.05-							Camión volquete			
15.240 (D 0836 LFL 40)		Diesel		6871	176	240	10.05-03.22	*	*	
15.240 (D 0836 LFL 53)		Diesel		6871	176	240	10.05-03.22	*	*	
18.240 (D 0836 LFL 40)		Diesel		6871	176	240	10.05-03.22	*	*	
18.240 (D 0836 LFL 53)		Diesel		6871	176	240	10.05-03.22	*	*	
18.240 (D 0836 LFL 40)		Diesel		6871	176	240	05.06-03.22	*	*	
18.240 (D 0836 LFL 53)		Diesel		6871	176	240	05.06-03.22	*	*	
13.250 (D 0836 LFL 63)		Diesel		6871	184	250	10.05-03.22	*	*	
15.250 (D 0836 LFL 63)		Diesel		6871	184	250	10.05-03.22	*	*	
18.250 (D 0836 LFL 63)		Diesel		6871	184	250	10.05-03.22	*	*	
18.250 (D 0836 LFL 63)		Diesel		6871	184	250	10.05-03.22	*	*	
15.280 (D 0836 LFL 41)		Diesel		6871	206	280	10.05-03.22	*	*	
15.280 (D 0836 LFL 54)		Diesel		6871	206	280	10.05-03.22	*	*	
18.280 (D 0836 LFL 41)		Diesel		6871	206	280	10.05-03.22	*	*	
18.280 (D 0836 LFL 54)		Diesel		6871	206	280	10.05-03.22	*	*	
18.280 (D 0836 LFL 41)		Diesel		6871	206	280	10.05-03.22	*	*	
18.280 (D 0836 LFL 54)		Diesel		6871	206	280	10.05-03.22	*	*	
26.280 (D 0836 LFL 51)		Diesel		6871	206	280	04.06-03.22	*	*	
26.280 (D 0836 LFL 54)		Diesel		6871	206	280	04.06-03.22	*	*	
13.290 (D 0836 LFL 64)		Diesel		6871	213	290	10.05-03.22	*	*	
15.290 (D 0836 LFL 64)		Diesel		6871	213	290	10.05-03.22	*	*	
18.290 (D 0836 LFL 64)		Diesel		6871	213	290	10.05-03.22	*	*	
18.290 (D 0836 LFL 64)		Diesel		6871	213	290	10.05-03.22	*	*	
26.290 (D 0836 LFL 64)		Diesel		6871	213	290	10.05-03.22	*	*	
15.330 (D 0836 LFL 44)		Diesel		6871	240	326	10.05-03.22	*	*	
15.330 (D 0836 LFL 55)		Diesel		6871	240	326	10.05-03.22	*	*	
18.330 (D 0836 LFL 44)		Diesel		6871	240	326	10.05-03.22	*	*	
18.330 (D 0836 LFL 55)		Diesel		6871	240	326	10.05-03.22	*	*	
18.330 (D 0836 LFL 44)		Diesel		6871	240	326	10.05-03.22	*	*	
18.330 (D 0836 LFL 55)		Diesel		6871	240	326	10.05-03.22	*	*	
26.330 (D 0836 LFL 52)		Diesel		6871	240	326	04.06-03.22	*	*	
26.330 (D 0836 LFL 55)		Diesel		6871	240	326	04.06-03.22	*	*	
15.340 (D 0836 LFL 65)		Diesel		6871	250	340	10.05-03.22	*	*	
18.340 (D 0836 LFL 65)		Diesel		6871	250	340	10.05-03.22	*	*	
18.340 (D 0836 LFL 65)		Diesel		6871	250	340	10.05-03.22	*	*	
26.340 (D 0836 LFL 65)		Diesel		6871	250	340	10.05-03.22	*	*	
TGM 05.05-							Hormigonera			
26.280 (D 0836 LFL 51)		Diesel		6871	206	280	04.06-03.22	*	*	
26.280 (D 0836 LFL 54)		Diesel		6871	206	280	04.06-03.22	*	*	

LISTA DE APLICACIONES - BUYERS GUIDE

26.290 (D 0836 LFL 64)		Diesel		6871	213	290	07.08-03.22	*	*	
26.330 (D 0836 LFL 52)		Diesel		6871	240	326	04.06-03.22	*	*	
26.330 (D 0836 LFL 55)		Diesel		6871	240	326	04.06-03.22	*	*	
26.340 (D 0836 LFL 65)		Diesel		6871	250	340	07.08-03.22	*	*	
TGS 01.05-							Cabeza tractora			
18.320 (D 2066 LF 39)		Diesel		10518	235	320	10.07-09.21	*	*	
18.320 (D 2066 LF 43)		Diesel		10518	235	320	10.07-09.21	*	*	
18.320 (D 2066 LF 28)		Diesel		10518	235	320	10.07-09.21	*	*	
18.320 (D 2066 LF 39)		Diesel		10518	235	320	10.07-09.21	*	*	
18.320 (D 2066 LF 43)		Diesel		10518	235	320	10.07-09.21	*	*	
26.320 (D 2066 LF 39)		Diesel		10518	235	320	07.08-09.21	*	*	
26.320 (D 2066 LF 43)		Diesel		10518	235	320	07.08-09.21	*	*	
26.320 (D 2066 LF 39)		Diesel		10518	235	320	07.08-09.21	*	*	
26.320 (D 2066 LF 43)		Diesel		10518	235	320	07.08-09.21	*	*	
26.320 (D 2066 LF 39)		Diesel		10518	235	320	07.08-09.21	*	*	
26.320 (D 2066 LF 43)		Diesel		10518	235	320	07.08-09.21	*	*	
28.320 (D 2066 LF 39)		Diesel		10518	235	320	07.08-09.21	*	*	
18.360 (D 2066 LF 38)		Diesel		10518	265	360	10.07-09.21	*	*	
18.360 (D 2066 LF 42)		Diesel		10518	265	360	10.07-09.21	*	*	
18.360 (D 2066 LF 27)		Diesel		10518	265	360	10.07-09.21	*	*	
18.360 (D 2066 LF 38)		Diesel		10518	265	360	10.07-09.21	*	*	
18.360 (D 2066 LF 42)		Diesel		10518	265	360	10.07-09.21	*	*	
19.360 (D 2066 LF 07)		Diesel		10518	265	360	02.11-09.21	*	*	
19.360 (D 2066 LF 48)		Diesel		10518	265	360	02.11-09.21	*	*	
19.360 (D 2066 LF 64)		Diesel		10518	265	360	02.11-09.21	*	*	
24.360 (D 2066 LF 27)		Diesel		10518	265	360	10.07-09.21	*	*	
24.360 (D 2066 LF 38)		Diesel		10518	265	360	10.07-09.21	*	*	
24.360 (D 2066 LF 42)		Diesel		10518	265	360	10.07-09.21	*	*	
26.360 (D 2066 LF 38)		Diesel		10518	265	360	08.08-09.21	*	*	
26.360 (D 2066 LF 42)		Diesel		10518	265	360	08.08-09.21	*	*	
26.360 (D 2066 LF 38)		Diesel		10518	265	360	08.08-09.21	*	*	
26.360 (D 2066 LF 42)		Diesel		10518	265	360	08.08-09.21	*	*	
26.360 (D 2066 LF 38)		Diesel		10518	265	360	08.08-09.21	*	*	
26.360 (D 2066 LF 42)		Diesel		10518	265	360	08.08-09.21	*	*	
26.360 (D 2066 LF 38)		Diesel		10518	265	360	05.08-	*	*	
26.360 (D 2066 LF 38)		Diesel		10518	265	360	05.08-09.21	*	*	
28.360 (D 2066 LF 38)		Diesel		10518	265	360	08.08-09.21	*	*	
28.360 (D 2066 LF 42)		Diesel		10518	265	360	08.08-09.21	*	*	
33.360 (D 2066 LF 38)		Diesel		10518	265	360	06.08-09.21	*	*	
33.360 (D 2066 LF 42)		Diesel		10518	265	360	06.08-09.21	*	*	
33.360 (D 2066 LF 38)		Diesel		10518	265	360	10.07-09.21	*	*	
33.360 (D 2066 LF 42)		Diesel		10518	265	360	10.07-09.21	*	*	
18.400 (D 2066 LF 26)		Diesel		10518	294	400	10.07-09.21	*	*	
18.400 (D 2066 LF 37)		Diesel		10518	294	400	10.07-09.21	*	*	
18.400 (D 2066 LF 41)		Diesel		10518	294	400	10.07-09.21	*	*	
18.400 (D 2066 LF 26)		Diesel		10518	294	400	10.07-09.21	*	*	
18.400 (D 2066 LF 37)		Diesel		10518	294	400	10.07-09.21	*	*	
18.400 (D 2066 LF 41)		Diesel		10518	294	400	10.07-09.21	*	*	
19.400 (D 2066 LF 06)		Diesel		10518	294	400	02.11-09.21	*	*	
19.400 (D 2066 LF 49)		Diesel		10518	294	400	02.11-09.21	*	*	
19.400 (D 2066 LF 63)		Diesel		10518	294	400	02.11-09.21	*	*	

LISTA DE APLICACIONES - BUYERS GUIDE

24.400 (D 2066 LF 26)		Diesel		10518	294	400	10.07-09.21	*	*
24.400 (D 2066 LF 37)		Diesel		10518	294	400	10.07-09.21	*	*
24.400 (D 2066 LF 41)		Diesel		10518	294	400	10.07-09.21	*	*
26.400 (D 2066 LF 37)		Diesel		10518	294	400	02.09-09.21	*	*
26.400 (D 2066 LF 41)		Diesel		10518	294	400	02.09-09.21	*	*
26.400 (D 2066 LF 37)		Diesel		10518	294	400	05.08-09.21	*	*
26.400 (D 2066 LF 41)		Diesel		10518	294	400	05.08-09.21	*	*
26.400 (D 2066 LF 37)		Diesel		10518	294	400	09.07-09.21	*	*
26.400 (D 2066 LF 41)		Diesel		10518	294	400	09.07-09.21	*	*
26.400 (D 2066 LF 26)		Diesel		10518	294	400	11.07-	*	*
26.400 (D 2066 LF 37)		Diesel		10518	294	400	11.07-	*	*
26.400 (D 2066 LF 41)		Diesel		10518	294	400	11.07-	*	*
26.400 (D 2066 LF 37)		Diesel		10518	294	400	05.08-	*	*
26.400 (D 2066 LF 37)		Diesel		10518	294	400	05.08-09.21	*	*
28.400 (D 2066 LF 37)		Diesel		10518	294	400	08.08-09.21	*	*
28.400 (D 2066 LF 41)		Diesel		10518	294	400	08.08-09.21	*	*
33.400 (D 2066 LF 37)		Diesel		10518	294	400	07.08-09.21	*	*
33.400 (D 2066 LF 41)		Diesel		10518	294	400	07.08-09.21	*	*
33.400 (D 2066 LF 37)		Diesel		10518	294	400	07.08-09.21	*	*
33.400 (D 2066 LF 41)		Diesel		10518	294	400	07.08-09.21	*	*
40.400 (D 2066 LF 06)		Diesel		10518	294	400	02.11-09.21	*	*
40.400 (D 2066 LF 49)		Diesel		10518	294	400	02.11-09.21	*	*
40.400 (D 2066 LF 63)		Diesel		10518	294	400	02.11-09.21	*	*
18.440 (D 2066 LF 25)		Diesel		10518	324	440	10.07-09.21	*	*
18.440 (D 2066 LF 36)		Diesel		10518	324	440	10.07-09.21	*	*
18.440 (D 2066 LF 40)		Diesel		10518	324	440	10.07-09.21	*	*
18.440 (D 2066 LF 25)		Diesel		10518	324	440	10.07-09.21	*	*
18.440 (D 2066 LF 36)		Diesel		10518	324	440	10.07-09.21	*	*
18.440 (D 2066 LF 40)		Diesel		10518	324	440	10.07-09.21	*	*
19.440 (D 2066 LF 50)		Diesel		10518	324	441	02.11-09.21	*	*
19.440 (D 2066 LF 62)		Diesel		10518	324	441	02.11-09.21	*	*
24.440 (D 2066 LF 25)		Diesel		10518	324	440	10.07-09.21	*	*
24.440 (D 2066 LF 36)		Diesel		10518	324	440	10.07-09.21	*	*
24.440 (D 2066 LF 40)		Diesel		10518	324	440	10.07-09.21	*	*
26.440 (D 2066 LF 36)		Diesel		10518	324	440	02.09-09.21	*	*
26.440 (D 2066 LF 40)		Diesel		10518	324	440	02.09-09.21	*	*
26.440 (D 2066 LF 36)		Diesel		10518	324	440	05.08-09.21	*	*
26.440 (D 2066 LF 40)		Diesel		10518	324	440	05.08-09.21	*	*
26.440 (D 2066 LF 36)		Diesel		10518	324	440	02.09-09.21	*	*
26.440 (D 2066 LF 40)		Diesel		10518	324	440	02.09-09.21	*	*
26.440 (D 2066 LF 36)		Diesel		10518	324	440	05.08-	*	*
26.440 (D 2066 LF 36)		Diesel		10518	324	440	05.08-09.21	*	*
28.440 (D 2066 LF 36)		Diesel		10518	324	440	08.08-09.21	*	*
28.440 (D 2066 LF 40)		Diesel		10518	324	440	08.08-09.21	*	*
33.440 (D 2066 LF 36)		Diesel		10518	324	440	10.07-09.21	*	*
33.440 (D 2066 LF 40)		Diesel		10518	324	440	10.07-09.21	*	*
33.440 (D 2066 LF 36)		Diesel		10518	324	440	06.08-09.21	*	*
33.440 (D 2066 LF 40)		Diesel		10518	324	440	06.08-09.21	*	*
40.440 (D 2066 LF 50)		Diesel		10518	324	441	02.11-09.21	*	*
40.440 (D 2066 LF 62)		Diesel		10518	324	441	02.11-09.21	*	*
19.440 (D 2676 LF 04)		Diesel		12419	324	441	02.11-09.21	*	*

LISTA DE APLICACIONES - BUYERS GUIDE

40.440 (D 2676 LF 04)		Diesel		12419	324	441	02.11-09.21	*	*
18.480 (D 2676 LF 05)		Diesel		12419	353	480	10.07-09.21	*	*
18.480 (D 2676 LF 07)		Diesel		12419	353	480	10.07-09.21	*	*
18.480 (D 2676 LF 14)		Diesel		12419	353	480	10.07-09.21	*	*
18.480 (D 2676 LF 05)		Diesel		12419	353	480	10.07-09.21	*	*
18.480 (D 2676 LF 07)		Diesel		12419	353	480	10.07-09.21	*	*
19.480 (D 2676 LF 02)		Diesel		12419	353	480	02.11-09.21	*	*
19.480 (D 2676 LF 03)		Diesel		12419	353	480	02.11-09.21	*	*
19.480 (D 2676 LF 20)		Diesel		12419	353	480	02.11-09.21	*	*
19.480 (D 2676 LF 31)		Diesel		12419	353	480	02.11-09.21	*	*
24.480 (D 2676 LF 05)		Diesel		12419	353	480	10.07-09.21	*	*
24.480 (D 2676 LF 07)		Diesel		12419	353	480	10.07-09.21	*	*
24.480 (D 2676 LF 14)		Diesel		12419	353	480	10.07-09.21	*	*
26.480 (D 2676 LF 05)		Diesel		12419	353	480	02.09-09.21	*	*
26.480 (D 2676 LF 07)		Diesel		12419	353	480	02.09-09.21	*	*
26.480 (D 2676 LF 05)		Diesel		12419	353	480	05.08-09.21	*	*
26.480 (D 2676 LF 07)		Diesel		12419	353	480	05.08-09.21	*	*
26.480 (D 2676 LF 05)		Diesel		12419	353	480	02.09-09.21	*	*
26.480 (D 2676 LF 07)		Diesel		12419	353	480	02.09-09.21	*	*
26.480 (D 2676 LF 05)		Diesel		12419	353	480	05.08-	*	*
26.480 (D 2676 LF 05)		Diesel		12419	353	480	05.08-09.21	*	*
28.480 (D 2676 LF 05)		Diesel		12419	353	480	08.08-09.21	*	*
28.480 (D 2676 LF 07)		Diesel		12419	353	480	08.08-09.21	*	*
33.480 (D 2676 LF 05)		Diesel		12419	353	480	10.07-09.21	*	*
33.480 (D 2676 LF 07)		Diesel		12419	353	480	10.07-09.21	*	*
33.480 (D 2676 LF 05)		Diesel		12419	353	480	08.08-09.21	*	*
33.480 (D 2676 LF 07)		Diesel		12419	353	480	08.08-09.21	*	*
18.540 (D 2676 LF 06)		Diesel		12419	397	540	10.07-09.21	*	*
18.540 (D 2676 LF 13)		Diesel		12419	397	540	10.07-09.21	*	*
18.540 (D 2676 LF 06)		Diesel		12419	397	540	10.07-09.21	*	*
18.540 (D 2676 LF 13)		Diesel		12419	397	540	10.07-09.21	*	*
24.540 (D 2676 LF 06)		Diesel		12419	397	540	10.07-09.21	*	*
24.540 (D 2676 LF 13)		Diesel		12419	397	540	10.07-09.21	*	*
26.540 (D 2676 LF 06)		Diesel		12419	397	540	02.09-09.21	*	*
26.540 (D 2676 LF 06)		Diesel		12419	397	540	05.08-09.21	*	*
26.540 (D 2676 LF 06)		Diesel		12419	397	540	02.09-09.21	*	*
28.540 (D 2676 LF 06)		Diesel		12419	397	540	02.09-09.21	*	*
33.540 (D 2676 LF 06)		Diesel		12419	397	540	02.09-09.21	*	*
33.540 (D 2676 LF 06)		Diesel		12419	397	540	02.09-09.21	*	*
TGS 01.05-									Caja/Chasis
18.320 (D 2066 LF 28)		Diesel		10518	235	320	10.07-09.21	*	*
18.320 (D 2066 LF 39)		Diesel		10518	235	320	10.07-09.21	*	*
18.320 (D 2066 LF 43)		Diesel		10518	235	320	10.07-09.21	*	*
18.320 (D 2066 LF 39)		Diesel		10518	235	320	10.07-09.21	*	*
18.320 (D 2066 LF 43)		Diesel		10518	235	320	10.07-09.21	*	*
24.320 (D 2066 LF 28)		Diesel		10518	235	320	10.07-09.21	*	*
24.320 (D 2066 LF 43)		Diesel		10518	235	320	10.07-09.21	*	*
26.320 (D 2066 LF 28)		Diesel		10518	235	320	10.07-09.21	*	*
26.320 (D 2066 LF 39)		Diesel		10518	235	320	10.07-09.21	*	*
26.320 (D 2066 LF 43)		Diesel		10518	235	320	10.07-09.21	*	*
26.320 (D 2066 LF 39)		Diesel		10518	235	320	07.08-09.21	*	*

LISTA DE APLICACIONES - BUYERS GUIDE

26.320 (D 2066 LF 43)		Diesel		10518	235	320	07.08-09.21	*	*
26.320 (D 2066 LF 39)		Diesel		10518	235	320	07.08-09.21	*	*
26.320 (D 2066 LF 43)		Diesel		10518	235	320	07.08-09.21	*	*
26.320 (D 2066 LF 39)		Diesel		10518	235	320	10.07-09.21	*	*
28.320 (D 2066 LF 39)		Diesel		10518	235	320	07.08-09.21	*	*
28.320 (D 2066 LF 43)		Diesel		10518	235	320	07.08-09.21	*	*
28.320 (D 2066 LF 39)		Diesel		10518	235	320	07.08-09.21	*	*
28.320 (D 2066 LF 43)		Diesel		10518	235	320	07.08-09.21	*	*
35.320 (D 2066 LF 39)		Diesel		10518	235	320	06.08-09.21	*	*
35.320 (D 2066 LF 43)		Diesel		10518	235	320	06.08-09.21	*	*
35.320 (D 2066 LF 39)		Diesel		10518	235	320	01.09-09.21	*	*
35.320 (D 2066 LF 43)		Diesel		10518	235	320	01.09-09.21	*	*
37.320 (D 2066 LF 39)		Diesel		10518	235	320	07.08-09.21	*	*
37.320 (D 2066 LF 43)		Diesel		10518	235	320	07.08-09.21	*	*
18.360 (D 2066 LF 27)		Diesel		10518	265	360	10.07-09.21	*	*
18.360 (D 2066 LF 38)		Diesel		10518	265	360	10.07-09.21	*	*
18.360 (D 2066 LF 42)		Diesel		10518	265	360	10.07-09.21	*	*
18.360 (D 2066 LF 27)		Diesel		10518	265	360	10.07-09.21	*	*
18.360 (D 2066 LF 38)		Diesel		10518	265	360	10.07-09.21	*	*
18.360 (D 2066 LF 42)		Diesel		10518	265	360	10.07-09.21	*	*
24.360 (D 2066 LF 27)		Diesel		10518	265	360	10.07-09.21	*	*
24.360 (D 2066 LF 38)		Diesel		10518	265	360	10.07-09.21	*	*
24.360 (D 2066 LF 42)		Diesel		10518	265	360	10.07-09.21	*	*
26.360 (D 2066 LF 38)		Diesel		10518	265	360	08.08-09.21	*	*
26.360 (D 2066 LF 42)		Diesel		10518	265	360	08.08-09.21	*	*
26.360 (D 2066 LF 38)		Diesel		10518	265	360	08.08-09.21	*	*
26.360 (D 2066 LF 42)		Diesel		10518	265	360	08.08-09.21	*	*
26.360 (D 2066 LF 27)		Diesel		10518	265	360	10.07-09.21	*	*
26.360 (D 2066 LF 38)		Diesel		10518	265	360	10.07-09.21	*	*
26.360 (D 2066 LF 42)		Diesel		10518	265	360	10.07-09.21	*	*
26.360 (D 2066 LF 38)		Diesel		10518	265	360	04.08-	*	*
26.360 (D 2066 LF 42)		Diesel		10518	265	360	04.08-	*	*
26.360 (D 2066 LF 38)		Diesel		10518	265	360	10.07-09.21	*	*
28.360 (D 2066 LF 38)		Diesel		10518	265	360	08.08-09.21	*	*
28.360 (D 2066 LF 42)		Diesel		10518	265	360	08.08-09.21	*	*
28.360 (D 2066 LF 38)		Diesel		10518	265	360	08.08-09.21	*	*
28.360 (D 2066 LF 42)		Diesel		10518	265	360	08.08-09.21	*	*
32.360 (D 2066 LF 38)		Diesel		10518	265	360	08.08-09.21	*	*
33.360 (D 2066 LF 38)		Diesel		10518	265	360	06.08-09.21	*	*
33.360 (D 2066 LF 42)		Diesel		10518	265	360	06.08-09.21	*	*
33.360 (D 2066 LF 38)		Diesel		10518	265	360	06.08-09.21	*	*
33.360 (D 2066 LF 42)		Diesel		10518	265	360	06.08-09.21	*	*
35.360 (D 2066 LF 38)		Diesel		10518	265	360	06.08-09.21	*	*
35.360 (D 2066 LF 42)		Diesel		10518	265	360	06.08-09.21	*	*
35.360 (D 2066 LF 38)		Diesel		10518	265	360	06.08-09.21	*	*
35.360 (D 2066 LF 42)		Diesel		10518	265	360	06.08-09.21	*	*
35.360 FFDK, FFHDLK (D 2066 LF 38)		Diesel		10518	265	360	06.08-	*	*
35.360 FFDK, FFHDLK (D 2066 LF 42)		Diesel		10518	265	360	06.08-	*	*
37.360 (D 2066 LF 38)		Diesel		10518	265	360	07.08-09.21	*	*
37.360 (D 2066 LF 42)		Diesel		10518	265	360	07.08-09.21	*	*
41.360 (D 2066 LF 38)		Diesel		10518	265	360	06.08-	*	*

LISTA DE APLICACIONES - BUYERS GUIDE

41.360 (D 2066 LF 42)		Diesel		10518	265	360	06.08-	*	*
41.360 (D 2066 LF 38)		Diesel		10518	265	360	07.08-09.21	*	*
41.360 (D 2066 LF 42)		Diesel		10518	265	360	07.08-09.21	*	*
41.360 FFDK (D 2066 LF 38)		Diesel		10518	265	360	06.08-	*	*
41.360 FFDK (D 2066 LF 42)		Diesel		10518	265	360	06.08-	*	*
18.400 (D 2066 LF 26)		Diesel		10518	294	400	10.07-09.21	*	*
18.400 (D 2066 LF 37)		Diesel		10518	294	400	10.07-09.21	*	*
18.400 (D 2066 LF 41)		Diesel		10518	294	400	10.07-09.21	*	*
18.400 (D 2066 LF 26)		Diesel		10518	294	400	10.07-09.21	*	*
18.400 (D 2066 LF 37)		Diesel		10518	294	400	10.07-09.21	*	*
18.400 (D 2066 LF 41)		Diesel		10518	294	400	10.07-09.21	*	*
24.400 (D 2066 LF 26)		Diesel		10518	294	400	10.07-09.21	*	*
24.400 (D 2066 LF 37)		Diesel		10518	294	400	10.07-09.21	*	*
24.400 (D 2066 LF 41)		Diesel		10518	294	400	10.07-09.21	*	*
26.400 (D 2066 LF 26)		Diesel		10518	294	400	10.07-09.21	*	*
26.400 (D 2066 LF 37)		Diesel		10518	294	400	10.07-09.21	*	*
26.400 (D 2066 LF 41)		Diesel		10518	294	400	10.07-09.21	*	*
26.400 (D 2066 LF 37)		Diesel		10518	294	400	08.08-09.21	*	*
26.400 (D 2066 LF 41)		Diesel		10518	294	400	08.08-09.21	*	*
26.400 (D 2066 LF 37)		Diesel		10518	294	400	02.09-09.21	*	*
26.400 (D 2066 LF 41)		Diesel		10518	294	400	02.09-09.21	*	*
26.400 (D 2066 LF 37)		Diesel		10518	294	400	10.07-09.21	*	*
28.400 (D 2066 LF 37)		Diesel		10518	294	400	08.08-09.21	*	*
28.400 (D 2066 LF 41)		Diesel		10518	294	400	08.08-09.21	*	*
28.400 (D 2066 LF 37)		Diesel		10518	294	400	08.08-09.21	*	*
28.400 (D 2066 LF 41)		Diesel		10518	294	400	08.08-09.21	*	*
32.400 (D 2066 LF 37)		Diesel		10518	294	400	08.08-09.21	*	*
33.400 (D 2066 LF 37)		Diesel		10518	294	400	07.08-09.21	*	*
33.400 (D 2066 LF 41)		Diesel		10518	294	400	07.08-09.21	*	*
33.400 (D 2066 LF 37)		Diesel		10518	294	400	06.08-09.21	*	*
33.400 (D 2066 LF 41)		Diesel		10518	294	400	06.08-09.21	*	*
35.400 (D 2066 LF 37)		Diesel		10518	294	400	06.08-09.21	*	*
35.400 (D 2066 LF 41)		Diesel		10518	294	400	06.08-09.21	*	*
35.400 (D 2066 LF 37)		Diesel		10518	294	400	06.08-09.21	*	*
35.400 (D 2066 LF 41)		Diesel		10518	294	400	06.08-09.21	*	*
35.400 (D 2066 LF 26)		Diesel		10518	294	400	10.07-09.21	*	*
35.400 (D 2066 LF 37)		Diesel		10518	294	400	10.07-09.21	*	*
37.400 (D 2066 LF 37)		Diesel		10518	294	400	07.08-09.21	*	*
37.400 (D 2066 LF 41)		Diesel		10518	294	400	07.08-09.21	*	*
41.400 (D 2066 LF 37)		Diesel		10518	294	400	07.08-09.21	*	*
41.400 (D 2066 LF 41)		Diesel		10518	294	400	07.08-09.21	*	*
18.440 (D 2066 LF 25)		Diesel		10518	324	440	10.07-09.21	*	*
18.440 (D 2066 LF 36)		Diesel		10518	324	440	10.07-09.21	*	*
18.440 (D 2066 LF 40)		Diesel		10518	324	440	10.07-09.21	*	*
18.440 (D 2066 LF 25)		Diesel		10518	324	440	10.07-09.21	*	*
18.440 (D 2066 LF 36)		Diesel		10518	324	440	10.07-09.21	*	*
18.440 (D 2066 LF 40)		Diesel		10518	324	440	10.07-09.21	*	*
24.440 (D 2066 LF 25)		Diesel		10518	324	440	10.07-09.21	*	*
24.440 (D 2066 LF 36)		Diesel		10518	324	440	10.07-09.21	*	*
24.440 (D 2066 LF 40)		Diesel		10518	324	440	10.07-09.21	*	*
26.440 (D 2066 LF 25)		Diesel		10518	324	440	10.07-09.21	*	*

LISTA DE APLICACIONES - BUYERS GUIDE

26.440 (D 2066 LF 36)		Diesel		10518	324	440	10.07-09.21	*	*
26.440 (D 2066 LF 40)		Diesel		10518	324	440	10.07-09.21	*	*
26.440 (D 2066 LF 36)		Diesel		10518	324	440	02.09-09.21	*	*
26.440 (D 2066 LF 40)		Diesel		10518	324	440	02.09-09.21	*	*
26.440 (D 2066 LF 36)		Diesel		10518	324	440	02.09-09.21	*	*
26.440 (D 2066 LF 40)		Diesel		10518	324	440	02.09-09.21	*	*
26.440 (D 2066 LF 36)		Diesel		10518	324	440	10.07-09.21	*	*
28.440 (D 2066 LF 36)		Diesel		10518	324	440	08.08-09.21	*	*
28.440 (D 2066 LF 40)		Diesel		10518	324	440	08.08-09.21	*	*
28.440 (D 2066 LF 36)		Diesel		10518	324	440	08.08-09.21	*	*
28.440 (D 2066 LF 40)		Diesel		10518	324	440	08.08-09.21	*	*
32.440 (D 2066 LF 36)		Diesel		10518	324	440	08.08-09.21	*	*
33.440 (D 2066 LF 36)		Diesel		10518	324	440	07.08-09.21	*	*
33.440 (D 2066 LF 40)		Diesel		10518	324	440	07.08-09.21	*	*
33.440 (D 2066 LF 36)		Diesel		10518	324	440	06.08-09.21	*	*
33.440 (D 2066 LF 40)		Diesel		10518	324	440	06.08-09.21	*	*
35.440 (D 2066 LF 36)		Diesel		10518	324	440	06.08-09.21	*	*
35.440 (D 2066 LF 40)		Diesel		10518	324	440	06.08-09.21	*	*
35.440 (D 2066 LF 36)		Diesel		10518	324	440	06.08-09.21	*	*
35.440 (D 2066 LF 40)		Diesel		10518	324	440	06.08-09.21	*	*
35.440 (D 2066 LF 25)		Diesel		10518	324	440	10.07-09.21	*	*
35.440 (D 2066 LF 36)		Diesel		10518	324	440	10.07-09.21	*	*
37.440 (D 2066 LF 36)		Diesel		10518	324	440	07.08-09.21	*	*
37.440 (D 2066 LF 40)		Diesel		10518	324	440	07.08-09.21	*	*
41.440 (D 2066 LF 36)		Diesel		10518	324	440	07.08-09.21	*	*
41.440 (D 2066 LF 40)		Diesel		10518	324	440	07.08-09.21	*	*
26.480 FDAC, FDALC, FDHLC, FDHLC/M (D 2676 LF 05)		Diesel		12412	353	480	02.09-	*	*
26.480 FDAC, FDALC, FDHLC, FDHLC/M (D 2676 LF 07)		Diesel		12412	353	480	02.09-	*	*
41.480 FFDARC (D 2676 LF 05)		Diesel		12412	353	480	06.08-	*	*
18.480 (D 2676 LF 05)		Diesel		12419	353	480	10.07-09.21	*	*
18.480 (D 2676 LF 07)		Diesel		12419	353	480	10.07-09.21	*	*
18.480 (D 2676 LF 14)		Diesel		12419	353	480	10.07-09.21	*	*
18.480 (D 2676 LF 05)		Diesel		12419	353	480	10.07-09.21	*	*
18.480 (D 2676 LF 07)		Diesel		12419	353	480	10.07-09.21	*	*
26.480 (D 2676 LF 05)		Diesel		12419	353	480	10.07-09.21	*	*
26.480 (D 2676 LF 07)		Diesel		12419	353	480	10.07-09.21	*	*
26.480 (D 2676 LF 14)		Diesel		12419	353	480	10.07-09.21	*	*
26.480 (D 2676 LF 05)		Diesel		12419	353	480	02.09-09.21	*	*
26.480 (D 2676 LF 07)		Diesel		12419	353	480	02.09-09.21	*	*
26.480 (D 2676 LF 05)		Diesel		12419	353	480	10.07-09.21	*	*
28.480 (D 2676 LF 05)		Diesel		12419	353	480	08.08-09.21	*	*
28.480 (D 2676 LF 07)		Diesel		12419	353	480	08.08-09.21	*	*
28.480 (D 2676 LF 05)		Diesel		12419	353	480	08.08-09.21	*	*
33.480 (D 2676 LF 05)		Diesel		12419	353	480	08.08-09.21	*	*
33.480 (D 2676 LF 07)		Diesel		12419	353	480	08.08-09.21	*	*
33.480 (D 2676 LF 05)		Diesel		12419	353	480	08.08-09.21	*	*
33.480 (D 2676 LF 07)		Diesel		12419	353	480	08.08-09.21	*	*
35.480 (D 2676 LF 05)		Diesel		12419	353	480	06.08-09.21	*	*
35.480 (D 2676 LF 07)		Diesel		12419	353	480	06.08-09.21	*	*
35.480 (D 2676 LF 05)		Diesel		12419	353	480	06.08-09.21	*	*
35.480 (D 2676 LF 07)		Diesel		12419	353	480	06.08-09.21	*	*

LISTA DE APLICACIONES - BUYERS GUIDE

35.480 (D 2676 LF 05)		Diesel		12419	353	480	10.07-09.21	*	*
35.480 (D 2676 LF 14)		Diesel		12419	353	480	10.07-09.21	*	*
37.480 (D 2676 LF 05)		Diesel		12419	353	480	07.08-09.21	*	*
37.480 (D 2676 LF 07)		Diesel		12419	353	480	07.08-09.21	*	*
41.480 (D 2676 LF 05)		Diesel		12419	353	480	07.08-09.21	*	*
41.480 (D 2676 LF 07)		Diesel		12419	353	480	07.08-09.21	*	*
18.540 (D 2676 LF 06)		Diesel		12419	397	540	10.07-09.21	*	*
18.540 (D 2676 LF 13)		Diesel		12419	397	540	10.07-09.21	*	*
18.540 (D 2676 LF 06)		Diesel		12419	397	540	10.07-09.21	*	*
18.540 (D 2676 LF 13)		Diesel		12419	397	540	10.07-09.21	*	*
26.540 (D 2676 LF 06)		Diesel		12419	397	540	10.07-09.21	*	*
26.540 (D 2676 LF 13)		Diesel		12419	397	540	10.07-09.21	*	*
26.540 (D 2676 LF 06)		Diesel		12419	397	540	02.09-09.21	*	*
26.540 (D 2676 LF 06)		Diesel		12419	397	540	02.09-09.21	*	*
28.540 (D 2676 LF 06)		Diesel		12419	397	540	02.09-09.21	*	*
28.540 (D 2676 LF 06)		Diesel		12419	397	540	06.08-09.21	*	*
33.540 (D 2676 LF 06)		Diesel		12419	397	540	02.09-09.21	*	*
33.540 (D 2676 LF 06)		Diesel		12419	397	540	02.09-09.21	*	*
35.540 (D 2676 LF 06)		Diesel		12419	397	540	06.08-09.21	*	*
35.540 (D 2676 LF 06)		Diesel		12419	397	540	02.09-09.21	*	*
37.540 (D 2676 LF 06)		Diesel		12419	397	540	02.09-09.21	*	*
41.540 (D 2676 LF 06)		Diesel		12419	397	540	02.09-09.21	*	*
TGS 01.05-									Camión volquete
18.320 (D 2066 LF 39)		Diesel		10518	235	320	10.07-09.21	*	*
18.320 (D 2066 LF 43)		Diesel		10518	235	320	10.07-09.21	*	*
18.320 (D 2066 LF 28)		Diesel		10518	235	320	10.07-09.21	*	*
18.320 (D 2066 LF 39)		Diesel		10518	235	320	10.07-09.21	*	*
18.320 (D 2066 LF 43)		Diesel		10518	235	320	10.07-09.21	*	*
26.320 (D 2066 LF 39)		Diesel		10518	235	320	07.08-09.21	*	*
26.320 (D 2066 LF 43)		Diesel		10518	235	320	07.08-09.21	*	*
26.320 (D 2066 LF 39)		Diesel		10518	235	320	07.08-09.21	*	*
26.320 (D 2066 LF 43)		Diesel		10518	235	320	07.08-09.21	*	*
35.320 (D 2066 LF 39)		Diesel		10518	235	320	06.08-09.21	*	*
35.320 (D 2066 LF 43)		Diesel		10518	235	320	06.08-09.21	*	*
35.320 (D 2066 LF 39)		Diesel		10518	235	320	06.08-09.21	*	*
35.320 (D 2066 LF 43)		Diesel		10518	235	320	06.08-09.21	*	*
35.320 (D 2066 LF 39)		Diesel		10518	235	320	08.08-09.21	*	*
35.320 (D 2066 LF 43)		Diesel		10518	235	320	08.08-09.21	*	*
37.320 (D 2066 LF 39)		Diesel		10518	235	320	07.08-09.21	*	*
37.320 (D 2066 LF 43)		Diesel		10518	235	320	07.08-09.21	*	*
41.320 (D 2066 LF 39)		Diesel		10518	235	320	06.08-09.21	*	*
41.320 (D 2066 LF 43)		Diesel		10518	235	320	06.08-09.21	*	*
41.320 (D 2066 LF 39)		Diesel		10518	235	320	06.08-09.21	*	*
41.320 (D 2066 LF 43)		Diesel		10518	235	320	06.08-09.21	*	*
18.360 (D 2066 LF 38)		Diesel		10518	265	360	10.07-09.21	*	*
18.360 (D 2066 LF 42)		Diesel		10518	265	360	10.07-09.21	*	*
18.360 (D 2066 LF 27)		Diesel		10518	265	360	10.07-09.21	*	*
18.360 (D 2066 LF 38)		Diesel		10518	265	360	10.07-09.21	*	*
18.360 (D 2066 LF 42)		Diesel		10518	265	360	10.07-09.21	*	*
26.360 (D 2066 LF 38)		Diesel		10518	265	360	08.08-09.21	*	*
26.360 (D 2066 LF 42)		Diesel		10518	265	360	08.08-09.21	*	*

LISTA DE APLICACIONES - BUYERS GUIDE

26.360 (D 2066 LF 38)		Diesel		10518	265	360	08.08-09.21	*	*
26.360 (D 2066 LF 42)		Diesel		10518	265	360	08.08-09.21	*	*
28.360 (D 2066 LF 38)		Diesel		10518	265	360	08.08-09.21	*	*
33.360 (D 2066 LF 38)		Diesel		10518	265	360	02.09-09.21	*	*
33.360 (D 2066 LF 42)		Diesel		10518	265	360	02.09-09.21	*	*
33.360 (D 2066 LF 27)		Diesel		10518	265	360	10.07-09.21	*	*
33.360 (D 2066 LF 42)		Diesel		10518	265	360	10.07-09.21	*	*
35.360 (D 2066 LF 38)		Diesel		10518	265	360	06.08-09.21	*	*
35.360 (D 2066 LF 42)		Diesel		10518	265	360	06.08-09.21	*	*
35.360 (D 2066 LF 38)		Diesel		10518	265	360	08.08-09.21	*	*
35.360 (D 2066 LF 42)		Diesel		10518	265	360	08.08-09.21	*	*
37.360 (D 2066 LF 38)		Diesel		10518	265	360	07.08-09.21	*	*
37.360 (D 2066 LF 42)		Diesel		10518	265	360	07.08-09.21	*	*
41.360 (D 2066 LF 38)		Diesel		10518	265	360	07.08-09.21	*	*
18.400 (D 2066 LF 26)		Diesel		10518	294	400	10.07-09.21	*	*
18.400 (D 2066 LF 37)		Diesel		10518	294	400	10.07-09.21	*	*
18.400 (D 2066 LF 41)		Diesel		10518	294	400	10.07-09.21	*	*
18.400 (D 2066 LF 26)		Diesel		10518	294	400	10.07-09.21	*	*
18.400 (D 2066 LF 37)		Diesel		10518	294	400	10.07-09.21	*	*
18.400 (D 2066 LF 41)		Diesel		10518	294	400	10.07-09.21	*	*
26.400 (D 2066 LF 37)		Diesel		10518	294	400	02.09-09.21	*	*
26.400 (D 2066 LF 41)		Diesel		10518	294	400	02.09-09.21	*	*
28.400 (D 2066 LF 37)		Diesel		10518	294	400	08.08-09.21	*	*
33.400 (D 2066 LF 37)		Diesel		10518	294	400	07.08-09.21	*	*
33.400 (D 2066 LF 41)		Diesel		10518	294	400	07.08-09.21	*	*
33.400 (D 2066 LF 37)		Diesel		10518	294	400	07.08-09.21	*	*
33.400 (D 2066 LF 41)		Diesel		10518	294	400	07.08-09.21	*	*
35.400 (D 2066 LF 37)		Diesel		10518	294	400	06.08-09.21	*	*
35.400 (D 2066 LF 41)		Diesel		10518	294	400	06.08-09.21	*	*
35.400 (D 2066 LF 37)		Diesel		10518	294	400	06.08-09.21	*	*
35.400 (D 2066 LF 41)		Diesel		10518	294	400	06.08-09.21	*	*
35.400 (D 2066 LF 37)		Diesel		10518	294	400	08.08-09.21	*	*
35.400 (D 2066 LF 41)		Diesel		10518	294	400	08.08-09.21	*	*
37.400 (D 2066 LF 37)		Diesel		10518	294	400	07.08-09.21	*	*
37.400 (D 2066 LF 41)		Diesel		10518	294	400	07.08-09.21	*	*
40.400 (D 2066 LF 06)		Diesel		10518	294	400	02.11-09.21	*	*
40.400 (D 2066 LF 49)		Diesel		10518	294	400	02.11-09.21	*	*
40.400 (D 2066 LF 63)		Diesel		10518	294	400	02.11-09.21	*	*
41.400 (D 2066 LF 37)		Diesel		10518	294	400	07.08-09.21	*	*
41.400 (D 2066 LF 41)		Diesel		10518	294	400	07.08-09.21	*	*
18.440 (D 2066 LF 25)		Diesel		10518	324	440	10.07-09.21	*	*
18.440 (D 2066 LF 36)		Diesel		10518	324	440	10.07-09.21	*	*
18.440 (D 2066 LF 40)		Diesel		10518	324	440	10.07-09.21	*	*
18.440 (D 2066 LF 25)		Diesel		10518	324	440	10.07-09.21	*	*
18.440 (D 2066 LF 36)		Diesel		10518	324	440	10.07-09.21	*	*
18.440 (D 2066 LF 40)		Diesel		10518	324	440	10.07-09.21	*	*
26.440 (D 2066 LF 36)		Diesel		10518	324	440	07.08-09.21	*	*
26.440 (D 2066 LF 40)		Diesel		10518	324	440	07.08-09.21	*	*
26.440 (D 2066 LF 36)		Diesel		10518	324	440	11.07-09.21	*	*
26.440 (D 2066 LF 40)		Diesel		10518	324	440	11.07-09.21	*	*
28.440 (D 2066 LF 36)		Diesel		10518	324	440	08.08-09.21	*	*

LISTA DE APLICACIONES - BUYERS GUIDE

33.440 (D 2066 LF 25)		Diesel		10518	324	440	11.07-09.21	*	*
33.440 (D 2066 LF 36)		Diesel		10518	324	440	11.07-09.21	*	*
33.440 (D 2066 LF 40)		Diesel		10518	324	440	11.07-09.21	*	*
33.440 (D 2066 LF 36)		Diesel		10518	324	440	06.08-09.21	*	*
33.440 (D 2066 LF 40)		Diesel		10518	324	440	06.08-09.21	*	*
35.440 (D 2066 LF 36)		Diesel		10518	324	440	06.08-09.21	*	*
35.440 (D 2066 LF 40)		Diesel		10518	324	440	06.08-09.21	*	*
35.440 (D 2066 LF 36)		Diesel		10518	324	440	06.08-09.21	*	*
35.440 (D 2066 LF 40)		Diesel		10518	324	440	06.08-09.21	*	*
35.440 (D 2066 LF 36)		Diesel		10518	324	440	08.08-09.21	*	*
35.440 (D 2066 LF 40)		Diesel		10518	324	440	08.08-09.21	*	*
37.440 (D 2066 LF 36)		Diesel		10518	324	440	07.08-09.21	*	*
37.440 (D 2066 LF 40)		Diesel		10518	324	440	07.08-09.21	*	*
40.440 (D 2066 LF 50)		Diesel		10518	324	441	02.11-09.21	*	*
40.440 (D 2066 LF 62)		Diesel		10518	324	441	02.11-09.21	*	*
41.440 (D 2066 LF 36)		Diesel		10518	324	440	06.08-09.21	*	*
41.440 (D 2066 LF 40)		Diesel		10518	324	440	06.08-09.21	*	*
41.440 (D 2066 LF 36)		Diesel		10518	324	440	06.08-09.21	*	*
41.440 (D 2066 LF 40)		Diesel		10518	324	440	06.08-09.21	*	*
41.440 (D 2066 LF 36)		Diesel		10518	324	440	07.08-09.21	*	*
41.440 (D 2066 LF 40)		Diesel		10518	324	440	07.08-09.21	*	*
40.440 (D 2676 LF 04)		Diesel		12419	324	441	02.11-09.21	*	*
18.480 (D 2676 LF 05)		Diesel		12419	353	480	10.07-09.21	*	*
18.480 (D 2676 LF 07)		Diesel		12419	353	480	10.07-09.21	*	*
18.480 (D 2676 LF 14)		Diesel		12419	353	480	10.07-09.21	*	*
18.480 (D 2676 LF 05)		Diesel		12419	353	480	10.07-09.21	*	*
18.480 (D 2676 LF 07)		Diesel		12419	353	480	10.07-09.21	*	*
26.480 (D 2676 LF 05)		Diesel		12419	353	480	07.08-09.21	*	*
26.480 (D 2676 LF 07)		Diesel		12419	353	480	07.08-09.21	*	*
26.480 (D 2676 LF 05)		Diesel		12419	353	480	02.09-09.21	*	*
26.480 (D 2676 LF 07)		Diesel		12419	353	480	02.09-09.21	*	*
28.480 (D 2676 LF 05)		Diesel		12419	353	480	08.08-09.21	*	*
33.480 (D 2676 LF 05)		Diesel		12419	353	480	08.08-09.21	*	*
33.480 (D 2676 LF 07)		Diesel		12419	353	480	08.08-09.21	*	*
33.480 (D 2676 LF 14)		Diesel		12419	353	480	08.08-09.21	*	*
33.480 (D 2676 LF 05)		Diesel		12419	353	480	08.08-09.21	*	*
33.480 (D 2676 LF 07)		Diesel		12419	353	480	08.08-09.21	*	*
35.480 (D 2676 LF 05)		Diesel		12419	353	480	06.08-09.21	*	*
35.480 (D 2676 LF 05)		Diesel		12419	353	480	06.08-09.21	*	*
35.480 (D 2676 LF 07)		Diesel		12419	353	480	06.08-09.21	*	*
35.480 (D 2676 LF 05)		Diesel		12419	353	480	08.08-09.21	*	*
35.480 (D 2676 LF 07)		Diesel		12419	353	480	08.08-09.21	*	*
37.480 (D 2676 LF 05)		Diesel		12419	353	480	07.08-09.21	*	*
37.480 (D 2676 LF 07)		Diesel		12419	353	480	07.08-09.21	*	*
41.480 (D 2676 LF 05)		Diesel		12419	353	480	06.08-09.21	*	*
41.480 (D 2676 LF 07)		Diesel		12419	353	480	06.08-09.21	*	*
41.480 (D 2676 LF 05)		Diesel		12419	353	480	06.08-09.21	*	*
41.480 (D 2676 LF 07)		Diesel		12419	353	480	06.08-09.21	*	*
41.480 (D 2676 LF 05)		Diesel		12419	353	480	07.08-09.21	*	*
41.480 (D 2676 LF 07)		Diesel		12419	353	480	07.08-09.21	*	*
18.540 (D 2676 LF 06)		Diesel		12419	397	540	10.07-09.21	*	*

LISTA DE APLICACIONES - BUYERS GUIDE

18.540 (D 2676 LF 13)		Diesel		12419	397	540	10.07-09.21	*	*
18.540 (D 2676 LF 06)		Diesel		12419	397	540	10.07-09.21	*	*
18.540 (D 2676 LF 13)		Diesel		12419	397	540	10.07-09.21	*	*
26.540 (D 2676 LF 06)		Diesel		12419	397	540	02.09-09.21	*	*
26.540 (D 2676 LF 06)		Diesel		12419	397	540	11.07-09.21	*	*
26.540 (D 2676 LF 13)		Diesel		12419	397	540	11.07-09.21	*	*
33.540 (D 2676 LF 06)		Diesel		12419	397	540	02.09-09.21	*	*
33.540 (D 2676 LF 13)		Diesel		12419	397	540	02.09-09.21	*	*
33.540 (D 2676 LF 06)		Diesel		12419	397	540	02.09-09.21	*	*
35.540 (D 2676 LF 06)		Diesel		12419	397	540	02.09-09.21	*	*
35.540 (D 2676 LF 06)		Diesel		12419	397	540	02.07-	*	*
35.540 (D 2676 LF 06)		Diesel		12419	397	540	02.09-09.21	*	*
37.540 (D 2676 LF 06)		Diesel		12419	397	540	02.09-09.21	*	*
41.540 (D 2676 LF 06)		Diesel		12419	397	540	03.07-	*	*
41.540 (D 2676 LF 06)		Diesel		12419	397	540	02.07-	*	*
41.540 (D 2676 LF 06)		Diesel		12419	397	540	02.09-09.21	*	*
TGS 01.05-									Hormigonera
26.320 (D 2066 LF 39)		Diesel		10518	235	320	07.08-09.21	*	*
26.320 (D 2066 LF 43)		Diesel		10518	235	320	07.08-09.21	*	*
32.320 (D 2066 LF 43)		Diesel		10518	235	320	02.09-09.21	*	*
35.320 (D 2066 LF 28)		Diesel		10518	235	320	10.07-09.21	*	*
35.320 (D 2066 LF 39)		Diesel		10518	235	320	10.07-09.21	*	*
35.320 (D 2066 LF 43)		Diesel		10518	235	320	10.07-09.21	*	*
37.320 (D 2066 LF 28)		Diesel		10518	235	320	10.07-09.21	*	*
37.320 (D 2066 LF 39)		Diesel		10518	235	320	10.07-09.21	*	*
37.320 (D 2066 LF 43)		Diesel		10518	235	320	10.07-09.21	*	*
26.360 (D 2066 LF 38)		Diesel		10518	265	360	07.08-09.21	*	*
26.360 (D 2066 LF 42)		Diesel		10518	265	360	07.08-09.21	*	*
32.360 (D 2066 LF 27)		Diesel		10518	265	360	10.07-09.21	*	*
32.360 (D 2066 LF 38)		Diesel		10518	265	360	10.07-09.21	*	*
32.360 (D 2066 LF 42)		Diesel		10518	265	360	10.07-09.21	*	*
35.360 (D 2066 LF 27)		Diesel		10518	265	360	10.07-09.21	*	*
35.360 (D 2066 LF 38)		Diesel		10518	265	360	10.07-09.21	*	*
35.360 (D 2066 LF 42)		Diesel		10518	265	360	10.07-09.21	*	*
37.360 (D 2066 LF 27)		Diesel		10518	265	360	10.07-09.21	*	*
37.360 (D 2066 LF 38)		Diesel		10518	265	360	10.07-09.21	*	*
37.360 (D 2066 LF 42)		Diesel		10518	265	360	10.07-09.21	*	*
41.360 (D 2066 LF 27)		Diesel		10518	265	360	10.07-09.21	*	*
41.360 (D 2066 LF 38)		Diesel		10518	265	360	10.07-09.21	*	*
41.360 (D 2066 LF 42)		Diesel		10518	265	360	10.07-09.21	*	*
26.400 (D 2066 LF 37)		Diesel		10518	294	400	07.08-09.21	*	*
26.400 (D 2066 LF 41)		Diesel		10518	294	400	07.08-09.21	*	*
32.400 (D 2066 LF 26)		Diesel		10518	294	400	10.07-09.21	*	*
32.400 (D 2066 LF 37)		Diesel		10518	294	400	10.07-09.21	*	*
32.400 (D 2066 LF 41)		Diesel		10518	294	400	10.07-09.21	*	*
35.400 (D 2066 LF 26)		Diesel		10518	294	400	10.07-09.21	*	*
35.400 (D 2066 LF 37)		Diesel		10518	294	400	10.07-09.21	*	*
35.400 (D 2066 LF 41)		Diesel		10518	294	400	10.07-09.21	*	*
37.400 (D 2066 LF 26)		Diesel		10518	294	400	10.07-09.21	*	*
37.400 (D 2066 LF 37)		Diesel		10518	294	400	10.07-09.21	*	*
37.400 (D 2066 LF 41)		Diesel		10518	294	400	10.07-09.21	*	*

LISTA DE APLICACIONES - BUYERS GUIDE

41.400 (D 2066 LF 26)		Diesel		10518	294	400	10.07-09.21	*	*
41.400 (D 2066 LF 37)		Diesel		10518	294	400	10.07-09.21	*	*
41.400 (D 2066 LF 41)		Diesel		10518	294	400	10.07-09.21	*	*
26.440 (D 2066 LF 36)		Diesel		10518	324	440	07.08-09.21	*	*
26.440 (D 2066 LF 40)		Diesel		10518	324	440	07.08-09.21	*	*
32.440 (D 2066 LF 25)		Diesel		10518	324	440	10.07-09.21	*	*
32.440 (D 2066 LF 36)		Diesel		10518	324	440	10.07-09.21	*	*
32.440 (D 2066 LF 40)		Diesel		10518	324	440	10.07-09.21	*	*
35.440 (D 2066 LF 25)		Diesel		10518	324	440	10.07-09.21	*	*
35.440 (D 2066 LF 36)		Diesel		10518	324	440	10.07-09.21	*	*
35.440 (D 2066 LF 40)		Diesel		10518	324	440	10.07-09.21	*	*
37.440 (D 2066 LF 25)		Diesel		10518	324	440	10.07-09.21	*	*
37.440 (D 2066 LF 36)		Diesel		10518	324	440	10.07-09.21	*	*
37.440 (D 2066 LF 40)		Diesel		10518	324	440	10.07-09.21	*	*
41.440 (D 2066 LF 25)		Diesel		10518	324	440	10.07-09.21	*	*
41.440 (D 2066 LF 36)		Diesel		10518	324	440	10.07-09.21	*	*
41.440 (D 2066 LF 40)		Diesel		10518	324	440	10.07-09.21	*	*
32.480 (D 2676 LF 05)		Diesel		12419	353	480	08.08-09.21	*	*
32.480 (D 2676 LF 07)		Diesel		12419	353	480	08.08-09.21	*	*
35.480 (D 2676 LF 05)		Diesel		12419	353	480	10.07-09.21	*	*
35.480 (D 2676 LF 07)		Diesel		12419	353	480	10.07-09.21	*	*
35.480 (D 2676 LF 14)		Diesel		12419	353	480	10.07-09.21	*	*
37.480 (D 2676 LF 05)		Diesel		12419	353	480	10.07-09.21	*	*
37.480 (D 2676 LF 07)		Diesel		12419	353	480	10.07-09.21	*	*
37.480 (D 2676 LF 14)		Diesel		12419	353	480	10.07-09.21	*	*
41.480 (D 2676 LF 05)		Diesel		12419	353	480	10.07-09.21	*	*
41.480 (D 2676 LF 07)		Diesel		12419	353	480	10.07-09.21	*	*
41.480 (D 2676 LF 14)		Diesel		12419	353	480	10.07-09.21	*	*
35.540 (D 2676 LF 06)		Diesel		12419	397	540	10.07-09.21	*	*
35.540 (D 2676 LF 13)		Diesel		12419	397	540	10.07-09.21	*	*
37.540 (D 2676 LF 06)		Diesel		12419	397	540	10.07-09.21	*	*
37.540 (D 2676 LF 13)		Diesel		12419	397	540	10.07-09.21	*	*
41.540 (D 2676 LF 06)		Diesel		12419	397	540	10.07-09.21	*	*
41.540 (D 2676 LF 13)		Diesel		12419	397	540	10.07-09.21	*	*
TGX 06.06-								Cabeza tractora	
26.320 (D 2066 LF 28)		Diesel		10518	235	320	10.07-09.21	*	*
26.320 (D 2066 LF 43)		Diesel		10518	235	320	10.07-09.21	*	*
18.360 (D 2066 LF 27)		Diesel		10518	265	360	10.07-09.21	*	*
18.360 (D 2066 LF 38)		Diesel		10518	265	360	10.07-09.21	*	*
18.360 (D 2066 LF 42)		Diesel		10518	265	360	10.07-09.21	*	*
18.360 (D 2066 LF 52)		Diesel		10518	265	360	10.07-09.21	*	*
18.360 (D 2066 LF 67)		Diesel		10518	265	360	10.07-09.21	*	*
18.360 (D 2066 LF 27)		Diesel		10518	265	360	10.07-09.21	*	*
18.360 (D 2066 LF 38)		Diesel		10518	265	360	10.07-09.21	*	*
18.360 (D 2066 LF 42)		Diesel		10518	265	360	10.07-09.21	*	*
18.360 (D 2066 LF 67)		Diesel		10518	265	360	10.07-09.21	*	*
24.360 (D 2066 LF 27)		Diesel		10518	265	360	10.07-09.21	*	*
24.360 (D 2066 LF 38)		Diesel		10518	265	360	10.07-09.21	*	*
24.360 (D 2066 LF 42)		Diesel		10518	265	360	10.07-09.21	*	*
24.360 (D 2066 LF 52)		Diesel		10518	265	360	10.07-09.21	*	*
24.360 (D 2066 LF 67)		Diesel		10518	265	360	10.07-09.21	*	*

LISTA DE APLICACIONES - BUYERS GUIDE

26.360	(D 2066 LF 27)	Diesel	10518	265	360	10.07-09.21	*	*
26.360	(D 2066 LF 38)	Diesel	10518	265	360	10.07-09.21	*	*
26.360	(D 2066 LF 42)	Diesel	10518	265	360	10.07-09.21	*	*
26.360	(D 2066 LF 52)	Diesel	10518	265	360	10.07-09.21	*	*
26.360	(D 2066 LF 67)	Diesel	10518	265	360	10.07-09.21	*	*
26.360	(D 2066 LF 38)	Diesel	10518	265	360	10.07-09.21	*	*
26.360	(D 2066 LF 38)	Diesel	10518	265	360	10.07-09.21	*	*
26.360	(D 2066 LF 42)	Diesel	10518	265	360	10.07-09.21	*	*
26.360	(D 2066 LF 67)	Diesel	10518	265	360	10.07-09.21	*	*
26.360	(D 2066 LF 38)	Diesel	10518	265	360	12.07-	*	*
26.360	(D 2066 LF 38)	Diesel	10518	265	360	05.08-07.19	*	*
28.360	(D 2066 LF 27)	Diesel	10518	265	360	10.07-09.21	*	*
28.360	(D 2066 LF 38)	Diesel	10518	265	360	10.07-09.21	*	*
28.360	(D 2066 LF 42)	Diesel	10518	265	360	10.07-09.21	*	*
28.360	(D 2066 LF 67)	Diesel	10518	265	360	10.07-09.21	*	*
33.360	(D 2066 LF 27)	Diesel	10518	265	360	10.07-09.21	*	*
33.360	(D 2066 LF 38)	Diesel	10518	265	360	10.07-09.21	*	*
33.360	(D 2066 LF 42)	Diesel	10518	265	360	10.07-09.21	*	*
33.360	(D 2066 LF 67)	Diesel	10518	265	360	10.07-09.21	*	*
18.400	(D 2066 LF 26)	Diesel	10518	294	400	10.07-09.21	*	*
18.400	(D 2066 LF 37)	Diesel	10518	294	400	10.07-09.21	*	*
18.400	(D 2066 LF 41)	Diesel	10518	294	400	10.07-09.21	*	*
18.400	(D 2066 LF 51)	Diesel	10518	294	400	10.07-09.21	*	*
18.400	(D 2066 LF 61)	Diesel	10518	294	400	10.07-09.21	*	*
18.400	(D 2066 LF 26)	Diesel	10518	294	400	10.07-09.21	*	*
18.400	(D 2066 LF 37)	Diesel	10518	294	400	10.07-09.21	*	*
18.400	(D 2066 LF 41)	Diesel	10518	294	400	10.07-09.21	*	*
18.400	(D 2066 LF 61)	Diesel	10518	294	400	10.07-09.21	*	*
24.400	(D 2066 LF 26)	Diesel	10518	294	400	10.07-09.21	*	*
24.400	(D 2066 LF 37)	Diesel	10518	294	400	10.07-09.21	*	*
24.400	(D 2066 LF 41)	Diesel	10518	294	400	10.07-09.21	*	*
24.400	(D 2066 LF 51)	Diesel	10518	294	400	10.07-09.21	*	*
24.400	(D 2066 LF 61)	Diesel	10518	294	400	10.07-09.21	*	*
26.400	(D 2066 LF 26)	Diesel	10518	294	400	10.07-09.21	*	*
26.400	(D 2066 LF 37)	Diesel	10518	294	400	10.07-09.21	*	*
26.400	(D 2066 LF 41)	Diesel	10518	294	400	10.07-09.21	*	*
26.400	(D 2066 LF 61)	Diesel	10518	294	400	10.07-09.21	*	*
26.400	(D 2066 LF 37)	Diesel	10518	294	400	10.07-09.21	*	*
26.400	(D 2066 LF 37)	Diesel	10518	294	400	06.06-09.21	*	*
26.400	(D 2066 LF 41)	Diesel	10518	294	400	06.06-09.21	*	*
26.400	(D 2066 LF 61)	Diesel	10518	294	400	06.06-09.21	*	*
26.400	(D 2066 LF 37)	Diesel	10518	294	400	12.07-	*	*
26.400	(D 2066 LF 37)	Diesel	10518	294	400	05.08-	*	*
26.400	(D 2066 LF 37)	Diesel	10518	294	400	05.08-07.19	*	*
28.400	(D 2066 LF 26)	Diesel	10518	294	400	10.07-09.21	*	*
28.400	(D 2066 LF 37)	Diesel	10518	294	400	10.07-09.21	*	*
28.400	(D 2066 LF 41)	Diesel	10518	294	400	10.07-09.21	*	*
28.400	(D 2066 LF 61)	Diesel	10518	294	400	10.07-09.21	*	*
33.400	(D 2066 LF 26)	Diesel	10518	294	400	10.07-09.21	*	*
33.400	(D 2066 LF 37)	Diesel	10518	294	400	10.07-09.21	*	*
33.400	(D 2066 LF 41)	Diesel	10518	294	400	10.07-09.21	*	*

LISTA DE APLICACIONES - BUYERS GUIDE

33.400 (D 2066 LF 61)		Diesel		10518	294	400	10.07-09.21	*	*
18.440 (D 2066 LF 25)		Diesel		10518	324	440	10.07-09.21	*	*
18.440 (D 2066 LF 36)		Diesel		10518	324	440	10.07-09.21	*	*
18.440 (D 2066 LF 40)		Diesel		10518	324	440	10.07-09.21	*	*
18.440 (D 2066 LF 25)		Diesel		10518	324	440	10.07-09.21	*	*
18.440 (D 2066 LF 36)		Diesel		10518	324	440	10.07-09.21	*	*
18.440 (D 2066 LF 40)		Diesel		10518	324	440	10.07-09.21	*	*
24.440 (D 2066 LF 25)		Diesel		10518	324	440	10.07-09.21	*	*
24.440 (D 2066 LF 36)		Diesel		10518	324	440	10.07-09.21	*	*
24.440 (D 2066 LF 40)		Diesel		10518	324	440	10.07-09.21	*	*
26.440 (D 2066 LF 25)		Diesel		10518	324	440	10.07-09.21	*	*
26.440 (D 2066 LF 36)		Diesel		10518	324	440	10.07-09.21	*	*
26.440 (D 2066 LF 40)		Diesel		10518	324	440	10.07-09.21	*	*
26.440 (D 2066 LF 36)		Diesel		10518	324	440	10.07-09.21	*	*
26.440 (D 2066 LF 36)		Diesel		10518	324	440	12.07-09.21	*	*
26.440 (D 2066 LF 40)		Diesel		10518	324	440	12.07-09.21	*	*
26.440 (D 2066 LF 36)		Diesel		10518	324	440	12.07-	*	*
26.440 (D 2066 LF 36)		Diesel		10518	324	440	05.08-	*	*
26.440 (D 2066 LF 36)		Diesel		10518	324	440	05.08-07.19	*	*
28.440 (D 2066 LF 25)		Diesel		10518	324	440	10.07-09.21	*	*
28.440 (D 2066 LF 36)		Diesel		10518	324	440	10.07-09.21	*	*
28.440 (D 2066 LF 40)		Diesel		10518	324	440	10.07-09.21	*	*
33.440 (D 2066 LF 25)		Diesel		10518	324	440	10.07-09.21	*	*
33.440 (D 2066 LF 36)		Diesel		10518	324	440	10.07-09.21	*	*
33.440 (D 2066 LF 40)		Diesel		10518	324	440	10.07-09.21	*	*
26.480 (D 2676 LF 05)		Diesel		12412	353	480	12.07-	*	*
26.480 (D 2676 LF 05)		Diesel		12412	353	480	05.08-	*	*
18.440 (D 2676 LF 22)		Diesel		12419	324	440	10.07-09.21	*	*
18.440 (D 2676 LF 26)		Diesel		12419	324	440	10.07-09.21	*	*
24.440 (D 2676 LF 22)		Diesel		12419	324	440	10.07-09.21	*	*
24.440 (D 2676 LF 26)		Diesel		12419	324	440	10.07-09.21	*	*
26.440 (D 2676 LF 22)		Diesel		12419	324	440	07.08-09.21	*	*
18.480 (D 2676 LF 05)		Diesel		12419	353	480	10.07-09.21	*	*
18.480 (D 2676 LF 07)		Diesel		12419	353	480	10.07-09.21	*	*
18.480 (D 2676 LF 14)		Diesel		12419	353	480	10.07-09.21	*	*
18.480 (D 2676 LF 21)		Diesel		12419	353	480	10.07-09.21	*	*
18.480 (D 2676 LF 25)		Diesel		12419	353	480	10.07-09.21	*	*
18.480 (D 2676 LF 05)		Diesel		12419	353	480	10.07-09.21	*	*
18.480 (D 2676 LF 07)		Diesel		12419	353	480	10.07-09.21	*	*
18.480 (D 2676 LF 14)		Diesel		12419	353	480	10.07-09.21	*	*
18.480 (D 2676 LF 25)		Diesel		12419	353	480	10.07-09.21	*	*
24.480 (D 2676 LF 05)		Diesel		12419	353	480	10.07-09.21	*	*
24.480 (D 2676 LF 07)		Diesel		12419	353	480	10.07-09.21	*	*
24.480 (D 2676 LF 14)		Diesel		12419	353	480	10.07-09.21	*	*
24.480 (D 2676 LF 21)		Diesel		12419	353	480	10.07-09.21	*	*
24.480 (D 2676 LF 25)		Diesel		12419	353	480	10.07-09.21	*	*
26.480 (D 2676 LF 05)		Diesel		12419	353	480	10.07-09.21	*	*
26.480 (D 2676 LF 07)		Diesel		12419	353	480	10.07-09.21	*	*
26.480 (D 2676 LF 14)		Diesel		12419	353	480	10.07-09.21	*	*
26.480 (D 2676 LF 21)		Diesel		12419	353	480	10.07-09.21	*	*
26.480 (D 2676 LF 25)		Diesel		12419	353	480	10.07-09.21	*	*

LISTA DE APLICACIONES - BUYERS GUIDE

26.480 (D 2676 LF 05)		Diesel		12419	353	480	10.07-09.21	*	*
26.480 (D 2676 LF 05)		Diesel		12419	353	480	12.07-09.21	*	*
26.480 (D 2676 LF 07)		Diesel		12419	353	480	12.07-09.21	*	*
26.480 (D 2676 LF 25)		Diesel		12419	353	480	12.07-09.21	*	*
26.480 (D 2676 LF 05)		Diesel		12419	353	480	05.08-07.19	*	*
26.480 (D 2676 LF 07)		Diesel		12419	353	480	05.08-07.19	*	*
28.480 (D 2676 LF 05)		Diesel		12419	353	480	10.07-09.21	*	*
28.480 (D 2676 LF 07)		Diesel		12419	353	480	10.07-09.21	*	*
28.480 (D 2676 LF 14)		Diesel		12419	353	480	10.07-09.21	*	*
28.480 (D 2676 LF 25)		Diesel		12419	353	480	10.07-09.21	*	*
33.480 (D 2676 LF 05)		Diesel		12419	353	480	10.07-09.21	*	*
33.480 (D 2676 LF 07)		Diesel		12419	353	480	10.07-09.21	*	*
33.480 (D 2676 LF 14)		Diesel		12419	353	480	10.07-09.21	*	*
33.480 (D 2676 LF 16)		Diesel		12419	353	480	10.07-09.21	*	*
33.480 (D 2676 LF 25)		Diesel		12419	353	480	10.07-09.21	*	*
18.540 (D 2676 LF 06)		Diesel		12419	397	540	10.07-09.21	*	*
18.540 (D 2676 LF 13)		Diesel		12419	397	540	10.07-09.21	*	*
18.540 (D 2676 LF 06)		Diesel		12419	397	540	10.07-09.21	*	*
18.540 (D 2676 LF 13)		Diesel		12419	397	540	10.07-09.21	*	*
24.540 (D 2676 LF 06)		Diesel		12419	397	540	10.07-09.21	*	*
24.540 (D 2676 LF 13)		Diesel		12419	397	540	10.07-09.21	*	*
26.540 (D 2676 LF 06)		Diesel		12419	397	540	10.07-09.21	*	*
26.540 (D 2676 LF 13)		Diesel		12419	397	540	10.07-09.21	*	*
26.540 (D 2676 LF 06)		Diesel		12419	397	540	02.09-09.21	*	*
28.540 (D 2676 LF 06)		Diesel		12419	397	540	02.09-09.21	*	*
33.540 (D 2676 LF 06)		Diesel		12419	397	540	10.07-09.21	*	*
33.540 (D 2676 LF 13)		Diesel		12419	397	540	10.07-09.21	*	*
41.540 (D 2676 LF 06)		Diesel		12419	397	540	06.08-09.21	*	*
41.540 (D 2676 LF 13)		Diesel		12419	397	540	06.08-09.21	*	*
18.680 (D 2868 LF02)		Diesel		16162	500	680	10.07-01.16	*	*
18.680 (D 2868 LF03)		Diesel		16162	500	680	10.07-01.16	*	*
18.680 (D 2868 LF05)		Diesel		16162	500	680	10.07-01.16	*	*
33.680 (D 2868 LF02)		Diesel		16162	500	680	10.07-01.16	*	*
33.680 (D 2868 LF05)		Diesel		16162	500	680	10.07-01.16	*	*
41.680 (D 2868 LF03)		Diesel		16162	500	680	10.07-06.19	*	*
41.680 (D 2868 LF05)		Diesel		16162	500	680	10.07-06.19	*	*
41.680 (D 2868 LF06)		Diesel		16162	500	680	10.07-06.19	*	*
TGX 06.06-								Caja/Chasis	
18.360 (D 2066 LF 27)		Diesel		10518	265	360	10.07-09.21	*	*
18.360 (D 2066 LF 38)		Diesel		10518	265	360	10.07-09.21	*	*
18.360 (D 2066 LF 42)		Diesel		10518	265	360	10.07-09.21	*	*
18.360 (D 2066 LF 52)		Diesel		10518	265	360	10.07-09.21	*	*
18.360 (D 2066 LF 67)		Diesel		10518	265	360	10.07-09.21	*	*
18.360 (D 2066 LF 27)		Diesel		10518	265	360	10.07-09.21	*	*
18.360 (D 2066 LF 38)		Diesel		10518	265	360	10.07-09.21	*	*
24.360 (D 2066 LF 27)		Diesel		10518	265	360	10.07-09.21	*	*
24.360 (D 2066 LF 38)		Diesel		10518	265	360	10.07-09.21	*	*
24.360 (D 2066 LF 42)		Diesel		10518	265	360	10.07-09.21	*	*
24.360 (D 2066 LF 67)		Diesel		10518	265	360	10.07-09.21	*	*
26.360 (D 2066 LF 27)		Diesel		10518	265	360	10.07-09.21	*	*
26.360 (D 2066 LF 38)		Diesel		10518	265	360	10.07-09.21	*	*

LISTA DE APLICACIONES - BUYERS GUIDE

26.360 (D 2066 LF 42)		Diesel		10518	265	360	10.07-09.21	*	*
26.360 (D 2066 LF 67)		Diesel		10518	265	360	10.07-09.21	*	*
26.360 (D 2066 LF 38)		Diesel		10518	265	360	07.08-09.21	*	*
26.360 (D 2066 LF 42)		Diesel		10518	265	360	07.08-09.21	*	*
26.360 (D 2066 LF 67)		Diesel		10518	265	360	07.08-09.21	*	*
26.360 (D 2066 LF 38)		Diesel		10518	265	360	10.07-09.21	*	*
26.360 (D 2066 LF 38)		Diesel		10518	265	360	10.07-	*	*
28.360 (D 2066 LF 27)		Diesel		10518	265	360	10.07-09.21	*	*
28.360 (D 2066 LF 38)		Diesel		10518	265	360	10.07-09.21	*	*
28.360 (D 2066 LF 42)		Diesel		10518	265	360	10.07-09.21	*	*
28.360 (D 2066 LF 67)		Diesel		10518	265	360	10.07-09.21	*	*
33.360 (D 2066 LF 27)		Diesel		10518	265	360	10.07-09.21	*	*
33.360 (D 2066 LF 38)		Diesel		10518	265	360	10.07-09.21	*	*
33.360 (D 2066 LF 42)		Diesel		10518	265	360	10.07-09.21	*	*
33.360 (D 2066 LF 67)		Diesel		10518	265	360	10.07-09.21	*	*
35.360 (D 2066 LF 27)		Diesel		10518	265	360	06.08-09.21	*	*
35.360 (D 2066 LF 38)		Diesel		10518	265	360	06.08-09.21	*	*
35.360 (D 2066 LF 42)		Diesel		10518	265	360	06.08-09.21	*	*
18.400 (D 2066 LF 26)		Diesel		10518	294	400	10.07-09.21	*	*
18.400 (D 2066 LF 37)		Diesel		10518	294	400	10.07-09.21	*	*
18.400 (D 2066 LF 41)		Diesel		10518	294	400	10.07-09.21	*	*
18.400 (D 2066 LF 51)		Diesel		10518	294	400	10.07-09.21	*	*
18.400 (D 2066 LF 61)		Diesel		10518	294	400	10.07-09.21	*	*
18.400 (D 2066 LF 26)		Diesel		10518	294	400	10.07-09.21	*	*
18.400 (D 2066 LF 37)		Diesel		10518	294	400	10.07-09.21	*	*
24.400 (D 2066 LF 26)		Diesel		10518	294	400	10.07-09.21	*	*
24.400 (D 2066 LF 37)		Diesel		10518	294	400	10.07-09.21	*	*
24.400 (D 2066 LF 41)		Diesel		10518	294	400	10.07-09.21	*	*
24.400 (D 2066 LF 61)		Diesel		10518	294	400	10.07-09.21	*	*
26.400 (D 2066 LF 26)		Diesel		10518	294	400	10.07-09.21	*	*
26.400 (D 2066 LF 37)		Diesel		10518	294	400	10.07-09.21	*	*
26.400 (D 2066 LF 41)		Diesel		10518	294	400	10.07-09.21	*	*
26.400 (D 2066 LF 61)		Diesel		10518	294	400	10.07-09.21	*	*
26.400 (D 2066 LF 37)		Diesel		10518	294	400	07.08-09.21	*	*
26.400 (D 2066 LF 41)		Diesel		10518	294	400	07.08-09.21	*	*
26.400 (D 2066 LF 61)		Diesel		10518	294	400	07.08-09.21	*	*
26.400 (D 2066 LF 37)		Diesel		10518	294	400	10.07-09.21	*	*
26.400 (D 2066 LF 37)		Diesel		10518	294	400	12.07-	*	*
28.400 (D 2066 LF 26)		Diesel		10518	294	400	10.07-09.21	*	*
28.400 (D 2066 LF 37)		Diesel		10518	294	400	10.07-09.21	*	*
28.400 (D 2066 LF 41)		Diesel		10518	294	400	10.07-09.21	*	*
28.400 (D 2066 LF 61)		Diesel		10518	294	400	10.07-09.21	*	*
33.400 (D 2066 LF 26)		Diesel		10518	294	400	10.07-09.21	*	*
33.400 (D 2066 LF 37)		Diesel		10518	294	400	10.07-09.21	*	*
33.400 (D 2066 LF 41)		Diesel		10518	294	400	10.07-09.21	*	*
33.400 (D 2066 LF 61)		Diesel		10518	294	400	10.07-09.21	*	*
35.400 (D 2066 LF 26)		Diesel		10518	294	400	06.08-09.21	*	*
35.400 (D 2066 LF 37)		Diesel		10518	294	400	06.08-09.21	*	*
35.400 (D 2066 LF 41)		Diesel		10518	294	400	06.08-09.21	*	*
18.440 (D 2066 LF 25)		Diesel		10518	324	440	10.07-09.21	*	*
18.440 (D 2066 LF 36)		Diesel		10518	324	440	10.07-09.21	*	*

LISTA DE APLICACIONES - BUYERS GUIDE

18.440 (D 2066 LF 40)		Diesel		10518	324	440	10.07-09.21	*	*
18.440 (D 2066 LF 25)		Diesel		10518	324	440	10.07-09.21	*	*
18.440 (D 2066 LF 36)		Diesel		10518	324	440	10.07-09.21	*	*
24.440 (D 2066 LF 25)		Diesel		10518	324	440	10.07-09.21	*	*
24.440 (D 2066 LF 36)		Diesel		10518	324	440	10.07-09.21	*	*
24.440 (D 2066 LF 40)		Diesel		10518	324	440	10.07-09.21	*	*
26.440 (D 2066 LF 25)		Diesel		10518	324	440	10.07-09.21	*	*
26.440 (D 2066 LF 36)		Diesel		10518	324	440	10.07-09.21	*	*
26.440 (D 2066 LF 40)		Diesel		10518	324	440	10.07-09.21	*	*
26.440 (D 2066 LF 36)		Diesel		10518	324	440	07.08-09.21	*	*
26.440 (D 2066 LF 40)		Diesel		10518	324	440	07.08-09.21	*	*
26.440 (D 2066 LF 36)		Diesel		10518	324	440	09.07-09.21	*	*
26.440 (D 2066 LF 36)		Diesel		10518	324	440	12.07-	*	*
28.440 (D 2066 LF 25)		Diesel		10518	324	440	10.07-09.21	*	*
28.440 (D 2066 LF 36)		Diesel		10518	324	440	10.07-09.21	*	*
28.440 (D 2066 LF 40)		Diesel		10518	324	440	10.07-09.21	*	*
33.440 (D 2066 LF 25)		Diesel		10518	324	440	10.07-09.21	*	*
33.440 (D 2066 LF 36)		Diesel		10518	324	440	10.07-09.21	*	*
33.440 (D 2066 LF 40)		Diesel		10518	324	440	10.07-09.21	*	*
35.440 (D 2066 LF 25)		Diesel		10518	324	440	06.08-09.21	*	*
35.440 (D 2066 LF 36)		Diesel		10518	324	440	06.08-09.21	*	*
35.440 (D 2066 LF 40)		Diesel		10518	324	440	06.08-09.21	*	*
18.440 (D 2676 LF 22)		Diesel		12419	324	440	10.07-09.21	*	*
18.440 (D 2676 LF 26)		Diesel		12419	324	440	10.07-09.21	*	*
18.480 (D 2676 LF 05)		Diesel		12419	353	480	10.07-09.21	*	*
18.480 (D 2676 LF 07)		Diesel		12419	353	480	10.07-09.21	*	*
18.480 (D 2676 LF 14)		Diesel		12419	353	480	10.07-09.21	*	*
18.480 (D 2676 LF 21)		Diesel		12419	353	480	10.07-09.21	*	*
18.480 (D 2676 LF 25)		Diesel		12419	353	480	10.07-09.21	*	*
18.480 (D 2676 LF 05)		Diesel		12419	353	480	10.07-09.21	*	*
18.480 (D 2676 LF 14)		Diesel		12419	353	480	10.07-09.21	*	*
24.480 (D 2676 LF 05)		Diesel		12419	353	480	10.07-09.21	*	*
24.480 (D 2676 LF 07)		Diesel		12419	353	480	10.07-09.21	*	*
24.480 (D 2676 LF 14)		Diesel		12419	353	480	10.07-09.21	*	*
24.480 (D 2676 LF 25)		Diesel		12419	353	480	10.07-09.21	*	*
26.480 (D 2676 LF 05)		Diesel		12419	353	480	10.07-09.21	*	*
26.480 (D 2676 LF 07)		Diesel		12419	353	480	10.07-09.21	*	*
26.480 (D 2676 LF 14)		Diesel		12419	353	480	10.07-09.21	*	*
26.480 (D 2676 LF 25)		Diesel		12419	353	480	10.07-09.21	*	*
26.480 (D 2676 LF 05)		Diesel		12419	353	480	09.07-09.21	*	*
26.480 (D 2676 LF 05)		Diesel		12419	353	480	07.08-09.21	*	*
26.480 (D 2676 LF 07)		Diesel		12419	353	480	07.08-09.21	*	*
26.480 (D 2676 LF 25)		Diesel		12419	353	480	07.08-09.21	*	*
26.480 (D 2676 LF 05)		Diesel		12419	353	480	12.07-	*	*
28.480 (D 2676 LF 05)		Diesel		12419	353	480	10.07-09.21	*	*
28.480 (D 2676 LF 07)		Diesel		12419	353	480	10.07-09.21	*	*
28.480 (D 2676 LF 14)		Diesel		12419	353	480	10.07-09.21	*	*
28.480 (D 2676 LF 25)		Diesel		12419	353	480	10.07-09.21	*	*
33.480 (D 2676 LF 05)		Diesel		12419	353	480	10.07-09.21	*	*
33.480 (D 2676 LF 07)		Diesel		12419	353	480	10.07-09.21	*	*
33.480 (D 2676 LF 14)		Diesel		12419	353	480	10.07-09.21	*	*

LISTA DE APLICACIONES - BUYERS GUIDE

33.480 (D 2676 LF 25)		Diesel		12419	353	480	10.07-09.21	*	*
35.480 (D 2676 LF 05)		Diesel		12419	353	480	06.08-09.21	*	*
35.480 (D 2676 LF 07)		Diesel		12419	353	480	06.08-09.21	*	*
35.480 (D 2676 LF 14)		Diesel		12419	353	480	06.08-09.21	*	*
18.540 (D 2676 LF 06)		Diesel		12419	397	540	10.07-09.21	*	*
18.540 (D 2676 LF 13)		Diesel		12419	397	540	10.07-09.21	*	*
18.540 (D 2676 LF 13)		Diesel		12419	397	540	10.07-09.21	*	*
24.540 (D 2676 LF 06)		Diesel		12419	397	540	02.09-09.21	*	*
26.540 (D 2676 LF 06)		Diesel		12419	397	540	10.07-09.21	*	*
26.540 (D 2676 LF 13)		Diesel		12419	397	540	10.07-09.21	*	*
26.540 (D 2676 LF 06)		Diesel		12419	397	540	02.09-09.21	*	*
28.540 (D 2676 LF 06)		Diesel		12419	397	540	10.07-09.21	*	*
28.540 (D 2676 LF 13)		Diesel		12419	397	540	10.07-09.21	*	*
33.540 (D 2676 LF 06)		Diesel		12419	397	540	10.07-09.21	*	*
33.540 (D 2676 LF 13)		Diesel		12419	397	540	10.07-09.21	*	*
35.540 (D 2676 LF 06)		Diesel		12419	397	540	06.08-09.21	*	*
35.540 (D 2676 LF 13)		Diesel		12419	397	540	06.08-09.21	*	*
33.680 (D 2868 LF02)		Diesel		16162	500	680	10.07-01.16	*	*
33.680 (D 2868 LF05)		Diesel		16162	500	680	10.07-01.16	*	*

MERCEDES-BENZ

01.11-								Bus	
CITARO		Diesel		6374	210	286	01.11-	*	*
CITARO		Diesel		7201	210	286	01.11-	*	*
CITARO		Diesel		11967	220	299	01.11-	*	*
CITARO		Diesel		11967	260	354	01.11-	*	*

ACTROS 04.96-10.03								Cabeza tractora	
1831 S, 1831 LS (OM 541.920)		Diesel		11946	230	313	04.96-10.02	*	*
1831 S, 1831 LS (OM 541.940)		Diesel		11946	230	313	04.96-10.02	*	*
2031AS (OM 541.926)		Diesel		11946	230	313	04.96-10.02	*	*
2031AS (OM 541.941)		Diesel		11946	230	313	04.96-10.02	*	*
2031S (OM 541.920)		Diesel		11946	230	313	04.96-10.02	*	*
2031S (OM 541.940)		Diesel		11946	230	313	04.96-10.02	*	*
2531 LS (OM 541.920)		Diesel		11946	230	313	09.96-10.02	*	*
2531 LS (OM 541.940)		Diesel		11946	230	313	09.96-10.02	*	*
2631 LS		Diesel		11946	230	313	04.96-10.02	*	*
2631S		Diesel		11946	230	313	04.96-10.02	*	*
3331 AS (OM 541.926)		Diesel		11946	230	313	04.97-10.02	*	*
3331 AS (OM 541.941)		Diesel		11946	230	313	04.97-10.02	*	*
3331 S (OM 541.920)		Diesel		11946	230	313	04.97-10.02	*	*
3331 S (OM 541.940)		Diesel		11946	230	313	04.97-10.02	*	*
1835 S, 1835 LS (OM 541.922)		Diesel		11946	260	354	04.96-10.02	*	*
1835 S, 1835 LS (OM 541.942)		Diesel		11946	260	354	04.96-10.02	*	*
2035 S (OM 541.922)		Diesel		11946	260	354	04.96-10.02	*	*
2035 S (OM 541.942)		Diesel		11946	260	354	04.96-10.02	*	*
2535 LS (OM 541.922)		Diesel		11946	260	354	09.96-10.02	*	*
2535 LS (OM 541.942)		Diesel		11946	260	354	09.96-10.02	*	*
2535 LS		Diesel		11946	260	354	04.96-10.02	*	*
2535 LS		Diesel		11946	260	354	04.96-10.02	*	*
2635 LS		Diesel		11946	260	354	04.96-10.02	*	*
2635S		Diesel		11946	260	354	04.96-10.02	*	*
3335 S (OM 541.922)		Diesel		11946	260	354	04.97-10.02	*	*

LISTA DE APLICACIONES - BUYERS GUIDE

3336S (OM 541.942)	Diesel	11946	265	360	10.97-10.02	*	*
1840 S, 1840 LS (OM 541.923)	Diesel	11946	290	394	04.96-10.02	*	*
1840 S, 1840 LS (OM 541.944)	Diesel	11946	290	394	04.96-10.02	*	*
2040 AS (OM 541.924)	Diesel	11946	290	394	04.96-10.02	*	*
2040 AS (OM 541.945)	Diesel	11946	290	394	04.96-10.02	*	*
2040 S (OM 541.923)	Diesel	11946	290	394	04.96-10.02	*	*
2040 S (OM 541.944)	Diesel	11946	290	394	04.96-10.02	*	*
2540 LS (OM 541.923)	Diesel	11946	290	394	09.96-10.02	*	*
2540 LS (OM 541.944)	Diesel	11946	290	394	09.96-10.02	*	*
2540 LS	Diesel	11946	290	394	04.96-10.02	*	*
2640 S, 2640 LS (OM 541.923)	Diesel	11946	290	394	09.96-10.02	*	*
2640 S, 2640 LS (OM 541.944)	Diesel	11946	290	394	09.96-10.02	*	*
3340 AS (OM 541.924)	Diesel	11946	290	394	04.97-10.02	*	*
3340 AS (OM 541.945)	Diesel	11946	290	394	04.97-10.02	*	*
3340 S (OM 541.923)	Diesel	11946	290	394	04.97-10.02	*	*
3341 S (OM 541.944)	Diesel	11946	300	408	10.97-10.02	*	*
1843 S, 1843 LS (OM 541.925)	Diesel	11946	315	428	04.96-10.02	*	*
1843 S, 1843 LS (OM 541.946)	Diesel	11946	315	428	04.96-10.02	*	*
2043 AS (OM 541.921)	Diesel	11946	315	428	04.96-10.02	*	*
2043 AS (OM 541.925)	Diesel	11946	315	428	04.96-10.02	*	*
2043 AS (OM 541.947)	Diesel	11946	315	428	04.96-10.02	*	*
2543 LS (OM 541.925)	Diesel	11946	315	428	09.96-10.02	*	*
2543 LS (OM 541.946)	Diesel	11946	315	428	09.96-10.02	*	*
2543 LS	Diesel	11946	315	428	04.96-10.02	*	*
2643 S, 2643 LS (OM 541.925)	Diesel	11946	315	428	04.97-10.02	*	*
2643 S, 2643 LS (OM 541.946)	Diesel	11946	315	428	04.97-10.02	*	*
3343 AS (OM 541.921)	Diesel	11946	315	428	04.97-10.02	*	*
3343 AS (OM 541.947)	Diesel	11946	315	428	04.97-10.02	*	*
3343 S (OM 541.925)	Diesel	11946	315	428	04.97-10.02	*	*
3343 S (OM 541.946)	Diesel	11946	315	428	04.97-10.02	*	*
1846 S, 1846 LS (OM 541.948)	Diesel	11946	335	456	10.98-10.02	*	*
2046 AS (OM 541.949)	Diesel	11946	335	456	10.96-10.02	*	*
2546 LS (OM 541.948)	Diesel	11946	335	456	10.97-10.02	*	*
2646 S, 2646 LS (OM 541.948)	Diesel	11946	335	456	10.97-10.02	*	*
3346 AS (OM 541.949)	Diesel	11946	335	456	10.97-10.02	*	*
3346 S (OM 541.948)	Diesel	11946	335	456	10.97-10.02	*	*
2648 S, 2648 LS (OM 541.948)	Diesel	11946	355	483	10.97-10.02	*	*
1848 S, 1848 LS (OM 542.921)	Diesel	15928	350	476	04.96-10.02	*	*
1848 S, 1848 LS (OM 542.940)	Diesel	15928	350	476	04.96-10.02	*	*
2048 AS (OM 542.925)	Diesel	15928	350	476	04.96-10.02	*	*
2548 LS (OM 542.921)	Diesel	15928	350	476	09.96-10.02	*	*
2548 LS (OM 542.940)	Diesel	15928	350	476	09.96-10.02	*	*
2548 LS	Diesel	15928	350	476	04.96-10.02	*	*
2648S	Diesel	15928	350	476	04.96-10.02	*	*
2648 S, 2648 LS (OM 542.921)	Diesel	15928	350	476	09.96-10.02	*	*
2648 S, 2648 LS (OM 542.940)	Diesel	15928	350	476	09.96-10.02	*	*
3348 AS (OM 542.925)	Diesel	15928	350	476	04.97-10.02	*	*
3348 S (OM 542.921)	Diesel	15928	350	476	04.97-10.02	*	*
2050 AS (OM 542.941)	Diesel	15928	370	503	10.96-10.03	*	*
2650S	Diesel	15928	370	503	04.96-10.02	*	*
2650 S, 2650 LS (OM 542.940)	Diesel	15928	370	503	10.97-10.02	*	*

LISTA DE APLICACIONES - BUYERS GUIDE

3350 AS (OM 542.941)		Diesel		15928	370	503	10.97-10.02	*	
3350 S (OM 542.940)		Diesel		15928	370	503	10.97-10.02	*	*
1853 S, 1853 LS (OM 542.920)		Diesel		15928	390	530	04.96-10.02	*	*
1853 S, 1853 LS (OM 542.942)		Diesel		15928	390	530	04.96-10.02	*	*
2053 S (OM 542.920)		Diesel		15928	390	530	04.96-10.02	*	*
2053 S (OM 542.942)		Diesel		15928	390	530	04.96-10.02	*	*
2553 LS (OM 542.920)		Diesel		15928	390	530	09.96-10.02	*	*
2553 LS (OM 542.942)		Diesel		15928	390	530	09.96-10.02	*	*
2553 LS		Diesel		15928	390	530	04.96-10.02	*	
2653 S		Diesel		15928	390	530	04.96-10.02	*	
2653 S, 2653 LS (OM 542.920)		Diesel		15928	390	530	09.96-10.02	*	*
2653 S, 2653 LS (OM 542.942)		Diesel		15928	390	530	09.96-10.02	*	*
3353 S (OM 542.920)		Diesel		15928	390	530	04.97-10.02	*	*
3353 S (OM 542.942)		Diesel		15928	390	530	04.97-10.02	*	*
1857 LS (OM 542.922)		Diesel		15928	420	571	04.97-10.02	*	*
1857 LS (OM 542.944)		Diesel		15928	420	571	04.97-10.02	*	*
2657 S, 2657 LS (OM 542.922)		Diesel		15928	420	571	04.97-10.02	*	*
2657 S, 2657 LS (OM 542.944)		Diesel		15928	420	571	04.97-10.02	*	*
3357 S (OM 542.922)		Diesel		15928	420	571	04.97-10.02	*	*
3357 S (OM 542.944)		Diesel		15928	420	571	04.97-10.02	*	*
ACTROS 04.96-10.03							Caja/Chasis		
1831, 1831 L (OM 541.920)		Diesel		11946	230	313	04.96-10.02	*	*
1831 LL		Diesel		11946	230	313	04.96-10.02	*	
2031 (OM 541.920)		Diesel		11946	230	313	04.97-10.02	*	*
2031A (OM 541.926)		Diesel		11946	230	313	04.97-10.02	*	*
2531, 2531 L (OM 541.920)		Diesel		11946	230	313	09.96-10.02	*	*
2531, 2531 L (OM 541.940)		Diesel		11946	230	313	09.96-10.02	*	*
2531, 2531 L		Diesel		11946	230	313	09.96-10.02	*	
2631, 2631 L (OM 541.920)		Diesel		11946	230	313	04.96-10.02	*	*
3231		Diesel		11946	230	313	04.96-10.02	*	
3331 (OM 541.920)		Diesel		11946	230	313	04.97-10.02	*	*
3331 A (OM 541.926)		Diesel		11946	230	313	04.97-10.02	*	*
1835, 1835 L (OM 541.922)		Diesel		11946	260	354	04.96-10.02	*	*
1835 LL		Diesel		11946	260	354	04.96-10.02	*	
2035 A (OM 541.927)		Diesel		11946	260	354	04.97-10.02	*	*
2035 A (OM 541.943)		Diesel		11946	260	354	04.97-10.02	*	*
2535 L (OM 541.922)		Diesel		11946	260	354	09.96-10.02	*	*
2535 L (OM 541.942)		Diesel		11946	260	354	09.96-10.02	*	*
2535 L		Diesel		11946	260	354	09.96-10.02	*	
2635, 2635 L (OM 541.922)		Diesel		11946	260	354	04.96-10.02	*	*
3235 (OM 541.922)		Diesel		11946	260	354	04.97-10.02	*	*
3235 (OM 541.942)		Diesel		11946	260	354	04.97-10.02	*	*
3335 (OM 541.922)		Diesel		11946	260	354	04.97-10.02	*	*
1840, 1840 L (OM 541.923)		Diesel		11946	290	394	04.96-10.02	*	*
1840 LL		Diesel		11946	290	394	04.96-10.02	*	
2040 (OM 541.923)		Diesel		11946	290	394	09.96-10.02	*	*
2540, 2540 L (OM 541.923)		Diesel		11946	290	394	09.96-10.02	*	*
2540, 2540 L (OM 541.944)		Diesel		11946	290	394	09.96-10.02	*	*
2540 L		Diesel		11946	290	394	04.96-10.02	*	
2640, 2640 L (OM 541.923)		Diesel		11946	290	394	04.96-10.02	*	*
3240 (OM 541.923)		Diesel		11946	290	394	04.97-10.02	*	*

LISTA DE APLICACIONES - BUYERS GUIDE

3240 (OM 541.944)		Diesel		11946	290	394	04.97-10.02	*	*
3340 (OM 541.923)		Diesel		11946	290	394	04.97-10.02	*	*
3340 A (OM 541.924)		Diesel		11946	290	394	04.97-10.02	*	*
1843, 1843 L (OM 541.925)		Diesel		11946	315	428	04.96-10.02	*	*
1843 LL		Diesel		11946	315	428	04.96-10.02	*	
2543, 2543 L (OM 541.925)		Diesel		11946	315	428	09.96-10.02	*	*
2543, 2543 L (OM 541.946)		Diesel		11946	315	428	09.96-10.02	*	*
2543 L		Diesel		11946	315	428	04.96-10.02	*	
2643, 2643 L (OM 541.925)		Diesel		11946	315	428	04.96-10.02	*	*
3243 (OM 541.925)		Diesel		11946	315	428	04.97-10.02	*	*
3243 (OM 541.946)		Diesel		11946	315	428	04.97-10.02	*	*
3343 (OM 541.925)		Diesel		11946	315	428	04.97-10.02	*	*
3346 (OM 541.948)		Diesel		11946	335	456	04.97-10.02	*	*
1848, 1848 L (OM 542.921)		Diesel		15928	350	476	04.96-10.02	*	*
1848 LL		Diesel		15928	350	476	04.96-10.02	*	
2548, 2548 L (OM 542.921)		Diesel		15928	350	476	09.96-10.02	*	*
2648, 2648 L (OM 542.921)		Diesel		15928	350	476	04.96-10.02	*	*
3348 (OM 542.921)		Diesel		15928	350	476	04.97-10.02	*	*
1853, 1853 L (OM 542.920)		Diesel		15928	390	530	04.96-10.02	*	*
1853 LL		Diesel		15928	390	530	04.96-10.02	*	
2553, 2553 L (OM 542.920)		Diesel		15928	390	530	09.96-10.02	*	*
2653, 2653 L (OM 542.920)		Diesel		15928	390	530	04.96-10.02	*	*
3353 (OM 542.920)		Diesel		15928	390	530	04.97-10.02	*	*
3353 AS (OM 542.920)		Diesel		15928	390	530	04.97-10.02	*	*
3353 AS (OM 542.926)		Diesel		15928	390	530	04.97-10.02	*	*
3353 AS (OM 542.943)		Diesel		15928	390	530	04.97-10.02	*	*
1857 L (OM 542.922)		Diesel		15928	420	571	04.97-10.02	*	*
2557 L (OM 542.922)		Diesel		15928	420	571	09.96-10.02	*	*
2657 L (OM 542.922)		Diesel		15928	420	571	04.97-10.02	*	*
3357 (OM 542.922)		Diesel		15928	420	571	04.97-10.02	*	*
ACTROS 04.96-10.03									
							Camión volquete		
1831AK (OM 541.926)		Diesel		11946	230	313	04.97-10.02	*	*
1831AK (OM 541.941)		Diesel		11946	230	313	04.97-10.02	*	*
1831K (OM 541.920)		Diesel		11946	230	313	04.97-10.02	*	*
1831K (OM 541.940)		Diesel		11946	230	313	04.97-10.02	*	*
2031 AK (OM 541.926)		Diesel		11946	230	313	09.96-10.02	*	*
2031 AK (OM 541.941)		Diesel		11946	230	313	09.96-10.02	*	*
2031 K (OM 541.920)		Diesel		11946	230	313	04.97-10.02	*	*
2031 K (OM 541.940)		Diesel		11946	230	313	04.97-10.02	*	*
2631 K (OM 541.920)		Diesel		11946	230	313	04.97-10.02	*	*
2631 K (OM 541.940)		Diesel		11946	230	313	04.97-10.02	*	*
2631 LK		Diesel		11946	230	313	04.96-10.02	*	
3231 K (OM 541.920)		Diesel		11946	230	313	04.97-10.02	*	*
3231 K (OM 541.940)		Diesel		11946	230	313	04.97-10.02	*	*
3331 AK (OM 541.926)		Diesel		11946	230	313	04.97-10.02	*	*
3331 AK (OM 541.941)		Diesel		11946	230	313	04.97-10.02	*	*
3331 K (OM 541.920)		Diesel		11946	230	313	04.97-10.02	*	*
3331 K (OM 541.940)		Diesel		11946	230	313	04.97-10.02	*	*
1835 AK (OM 541.927)		Diesel		11946	260	354	04.97-10.02	*	*
1835 AK (OM 541.943)		Diesel		11946	260	354	04.97-10.02	*	*
1835 K (OM 541.922)		Diesel		11946	260	354	04.97-10.02	*	*

LISTA DE APLICACIONES - BUYERS GUIDE

1835 K (OM 541.942)	Diesel	11946	260	354	04.97-10.02	*	*
2635 K, 2635 LK (OM 541.922)	Diesel	11946	260	354	04.97-10.02	*	*
2635 K, 2635 LK (OM 541.942)	Diesel	11946	260	354	04.97-10.02	*	*
3235K (OM 541.922)	Diesel	11946	260	354	04.97-10.02	*	*
3235K (OM 541.942)	Diesel	11946	260	354	04.97-10.02	*	*
3335 AK (OM 541.927)	Diesel	11946	260	354	10.97-10.03	*	
3335 AK (OM 541.943)	Diesel	11946	260	354	10.97-10.03	*	
3335 K (OM 541.922)	Diesel	11946	260	354	04.97-10.02	*	*
3335 K (OM 541.942)	Diesel	11946	260	354	04.97-10.02	*	*
1840 AK (OM 541.924)	Diesel	11946	290	394	04.97-10.02	*	*
1840 AK (OM 541.945)	Diesel	11946	290	394	04.97-10.02	*	*
1840 K (OM 541.923)	Diesel	11946	290	394	04.97-10.02	*	*
1840 K (OM 541.944)	Diesel	11946	290	394	04.97-10.02	*	*
2040 AK (OM 541.924)	Diesel	11946	290	394	09.96-10.02	*	*
2040 AK (OM 541.945)	Diesel	11946	290	394	09.96-10.02	*	*
2040 K	Diesel	11946	290	394	04.96-10.02	*	
2640 K, 2640 LK (OM 541.923)	Diesel	11946	290	394	04.97-10.02	*	*
2640 K, 2640 LK (OM 541.944)	Diesel	11946	290	394	04.97-10.02	*	*
3240 K (OM 541.923)	Diesel	11946	290	394	04.97-10.02	*	*
3240 K (OM 541.944)	Diesel	11946	290	394	04.97-10.02	*	*
3340 AK (OM 541.924)	Diesel	11946	290	394	04.97-10.02	*	*
3340 AK (OM 541.945)	Diesel	11946	290	394	04.97-10.02	*	*
3340 K (OM 541.923)	Diesel	11946	290	394	04.97-10.02	*	*
3340 K (OM 541.944)	Diesel	11946	290	394	04.97-10.02	*	*
4140 AK (OM 541.924)	Diesel	11946	290	394	04.97-10.02	*	
4140 AK (OM 541.945)	Diesel	11946	290	394	04.97-10.02	*	
4140 K (OM 541.923)	Diesel	11946	290	394	04.97-10.02		*
4140 K (OM 541.944)	Diesel	11946	290	394	04.97-10.02		*
4140 K (OM 541.924)	Diesel	11946	290	394	04.97-10.02	*	
4140 K (OM 541.945)	Diesel	11946	290	394	04.97-10.02	*	
1843 AK (OM 541.921)	Diesel	11946	315	428	04.97-10.02	*	*
1843 AK (OM 541.947)	Diesel	11946	315	428	04.97-10.02	*	*
1843 K (OM 541.925)	Diesel	11946	315	428	04.97-10.02	*	*
1843 K (OM 541.946)	Diesel	11946	315	428	04.97-10.02	*	*
2643 K, 2643 LK (OM 541.925)	Diesel	11946	315	428	04.97-10.02	*	*
2643 K, 2643 LK (OM 541.946)	Diesel	11946	315	428	04.97-10.02	*	*
3243 K (OM 541.925)	Diesel	11946	315	428	04.97-10.02	*	*
3243 K (OM 541.946)	Diesel	11946	315	428	04.97-10.02	*	*
3343 AK (OM 541.921)	Diesel	11946	315	428	04.97-10.02	*	*
3343 AK (OM 541.947)	Diesel	11946	315	428	04.97-10.02	*	*
3343 K (OM 541.925)	Diesel	11946	315	428	04.97-10.02	*	*
3343 K (OM 541.946)	Diesel	11946	315	428	04.97-10.02	*	*
4143 AK (OM 541.921)	Diesel	11946	315	428	04.97-10.02	*	
4143 AK (OM 541.947)	Diesel	11946	315	428	04.97-10.02	*	
4143 K (OM 541.925)	Diesel	11946	315	428	04.97-10.02		*
4143 K (OM 541.946)	Diesel	11946	315	428	04.97-10.02		*
4143 K (OM 541.921)	Diesel	11946	315	428	04.97-10.02	*	
4143 K (OM 541.947)	Diesel	11946	315	428	04.97-10.02	*	
1846 AK (OM 541.948)	Diesel	11946	335	456	04.97-10.03	*	*
1846 AK (OM 541.949)	Diesel	11946	335	456	04.97-10.03	*	*
1846 K	Diesel	11946	335	455	04.96-10.02	*	

LISTA DE APLICACIONES - BUYERS GUIDE

3246 K (OM 541.948)	Diesel	11946	335	456	10.97-10.02	*	*
3346 AK (OM 541.949)	Diesel	11946	335	456	10.97-10.02	*	*
3346 K (OM 541.948)	Diesel	11946	335	456	10.97-	*	*
4146 AK (OM 541.948)	Diesel	11946	335	456	10.97-10.02	*	*
4146 AK (OM 541.949)	Diesel	11946	335	456	10.97-10.02	*	*
4146 K (OM 541.948)	Diesel	11946	335	456	10.97-10.02		*
2648 K, 2648 LK (OM 541.948)	Diesel	11946	355	483	10.97-10.02	*	*
1848 AK (OM 542.925)	Diesel	15928	350	476	04.97-10.02	*	*
1848 K (OM 542.921)	Diesel	15928	350	476	04.97-10.02	*	*
1848 K (OM 542.940)	Diesel	15928	350	476	04.97-10.02	*	*
2648 K, 2648 LK (OM 542.921)	Diesel	15928	350	476	04.97-10.02	*	*
2648 K, 2648 LK (OM 542.940)	Diesel	15928	350	476	04.97-10.02	*	*
3348 AK (OM 542.925)	Diesel	15928	350	476	04.97-10.02	*	*
3348 K (OM 542.921)	Diesel	15928	350	476	04.97-10.02	*	*
3348 K (OM 542.940)	Diesel	15928	350	476	04.97-10.02	*	*
4148 AK (OM 542.925)	Diesel	15928	350	476	04.97-10.02	*	
4148 K (OM 542.921)	Diesel	15928	350	476	04.97-10.02		*
4148 K (OM 542.925)	Diesel	15928	350	476	04.97-10.02	*	
1850 AK (OM 542.941)	Diesel	15928	370	503	10.97-10.03	*	*
3350 AK (OM 542.941)	Diesel	15928	370	503	10.97-10.03	*	*
3350 K (OM 542.940)	Diesel	15928	370	503	10.97-10.02	*	*
1853 K	Diesel	15928	390	530	04.96-10.02	*	
2653 K, 2653 LK (OM 542.920)	Diesel	15928	390	530	04.97-10.02	*	*
2653 K, 2653 LK (OM 542.942)	Diesel	15928	390	530	04.97-10.02	*	*
3353 K	Diesel	15928	390	530	04.96-10.02	*	
2657 K, 2657 LK (OM 542.922)	Diesel	15928	420	571	04.97-10.02	*	*
2657 K, 2657 LK (OM 542.944)	Diesel	15928	420	571	04.97-10.02	*	*
ACTROS 04.96-10.03						Hormigonera	
2631B (OM 541.920)	Diesel	11946	230	313	04.97-10.02	*	*
2631B (OM 541.940)	Diesel	11946	230	313	04.97-10.02	*	*
3231 B (OM 541.920)	Diesel	11946	230	313	04.97-10.02	*	
3231 B (OM 541.940)	Diesel	11946	230	313	04.97-10.02	*	
3331 B (OM 541.920)	Diesel	11946	230	313	04.97-10.02	*	*
3331 B (OM 541.940)	Diesel	11946	230	313	04.97-10.02	*	*
2635 B (OM 541.922)	Diesel	11946	260	354	04.97-10.02	*	*
2635 B (OM 541.942)	Diesel	11946	260	354	04.97-10.02	*	*
3235 B (OM 541.922)	Diesel	11946	260	354	04.97-10.02	*	*
3235 B (OM 541.942)	Diesel	11946	260	354	04.97-10.02	*	*
3335 B (OM 541.922)	Diesel	11946	260	354	04.97-10.02	*	*
3335 B (OM 541.942)	Diesel	11946	260	354	04.97-10.02	*	*
2640 B (OM 541.923)	Diesel	11946	290	394	04.97-10.02	*	*
2640 B (OM 541.944)	Diesel	11946	290	394	04.97-10.02	*	*
3240 B (OM 541.923)	Diesel	11946	290	394	04.97-10.02	*	*
3240 B (OM 541.944)	Diesel	11946	290	394	04.97-10.02	*	*
3340 B (OM 541.923)	Diesel	11946	290	394	04.97-10.02	*	*
3340 B (OM 541.944)	Diesel	11946	290	394	04.97-10.02	*	*
3340 B (OM 541.923)	Diesel	11946	290	394	04.97-10.02	*	*
4140 B (OM 541.923)	Diesel	11946	290	394	04.97-10.02	*	*
4140 B (OM 541.944)	Diesel	11946	290	394	04.97-10.02	*	*
2643 B (OM 541.925)	Diesel	11946	315	428	04.97-10.02	*	*
2643 B (OM 541.946)	Diesel	11946	315	428	04.97-10.02	*	*

LISTA DE APLICACIONES - BUYERS GUIDE

3243 B (OM 541.925)		Diesel		11946	315	428	04.97-10.02	*	*	
3243 B (OM 541.946)		Diesel		11946	315	428	04.97-10.02	*	*	
3343 B (OM 541.925)		Diesel		11946	315	428	04.97-10.02	*	*	
3343 B		Diesel		11946	315	428	04.96-10.02	*		
4143 B		Diesel		11946	315	428	04.96-10.02	*		
2646 B (OM 541.948)		Diesel		11946	335	456	10.97-10.02	*	*	
3246 B (OM 541.948)		Diesel		11946	335	456	10.97-10.02	*	*	
ACTROS MP2 / MP3 10.02-							Cabeza tractora			
1831 LS		Diesel		11946	230	313	11.02-	*		
2031S		Diesel		11946	230	313	11.02-	*		
2032 AS (OM 541.926)		Diesel		11946	230	313	04.03-	*	*	
2032 AS (OM 541.941)		Diesel		11946	230	313	04.03-	*	*	
2032 S (OM 541.920)		Diesel		11946	230	313	04.03-	*	*	
2032 S (OM 541.940)		Diesel		11946	230	313	04.03-	*	*	
2531 LS		Diesel		11946	230	313	11.02-	*		
2531 LS		Diesel		11946	230	313	11.02-	*		
2532 LS (OM 541.920)		Diesel		11946	230	313	04.03-	*	*	
2532 LS (OM 541.940)		Diesel		11946	230	313	04.03-	*	*	
2532 LS (OM 541.970)		Diesel		11946	230	313	04.03-	*	*	
2532 LS		Diesel		11946	230	313	04.03-	*		
2631 LS (OM 541.920)		Diesel		11946	230	313	10.09-	*	*	
2631 LS (OM 541.940)		Diesel		11946	230	313	10.09-	*	*	
2631 LS (OM 541.920)		Diesel		11946	230	313	10.02-	*	*	
3331 S, 3332 S (OM 541.920)		Diesel		11946	230	313	04.03-	*	*	
3331 S, 3332 S (OM 541.940)		Diesel		11946	230	313	04.03-	*	*	
3331 S, 3332 S (OM 541.970)		Diesel		11946	230	313	04.03-	*	*	
1832, LS, LLS (OM 541.940)		Diesel		11946	235	320	04.03-	*	*	
1832, LS, LLS (OM 541.970)		Diesel		11946	235	320	04.03-	*	*	
2432 LS (OM 541.970)		Diesel		11946	235	319	06.08-	*	*	
2432 LS (OM 541.996)		Diesel		11946	235	319	06.08-	*	*	
2432 LS		Diesel		11946	235	320	06.08-	*		
2532 LS		Diesel		11946	235	320	06.08-	*	*	
2632 LS (OM 541.940)		Diesel		11946	235	320	04.03-	*	*	
2632 LS (OM 541.970)		Diesel		11946	235	320	04.03-	*	*	
2632 LS (OM 541.996)		Diesel		11946	235	320	04.03-	*	*	
2632 LS (OM 541.970)		Diesel		11946	235	320	10.09-	*	*	
2632 LS (OM 541.996)		Diesel		11946	235	320	10.09-	*	*	
3332 AS (OM 541.941)		Diesel		11946	235	320	04.03-	*		
1835 LS		Diesel		11946	260	354	11.02-	*		
2036 AS (OM 541.927)		Diesel		11946	260	354	04.03-	*	*	
2036 AS (OM 541.943)		Diesel		11946	260	354	04.03-	*	*	
2036 S (OM 541.942)		Diesel		11946	260	354	04.03-	*	*	
2036 S (OM 541.972)		Diesel		11946	260	354	04.03-	*	*	
2535 LS		Diesel		11946	260	354	11.02-	*		
2535 LS		Diesel		11946	260	354	11.02-	*		
2536 LS (OM 541.922)		Diesel		11946	260	353	04.03-	*	*	
2536 LS (OM 541.942)		Diesel		11946	260	353	04.03-	*	*	
2536 LS (OM 541.943)		Diesel		11946	260	353	04.03-	*	*	
2536 LS (OM 541.972)		Diesel		11946	260	353	04.03-	*	*	
2536 LS		Diesel		11946	260	353	04.03-	*		
2635 LS (OM 541.922)		Diesel		11946	260	354	10.09-	*	*	

LISTA DE APLICACIONES - BUYERS GUIDE

2635 LS (OM 541.942)	Diesel	11946	260	354	10.09-	*	*
2635 LS (OM 541.922)	Diesel	11946	260	354	10.02-	*	*
2635 LS (OM 541.942)	Diesel	11946	260	354	10.02-	*	*
3335 S	Diesel	11946	260	354	11.02-	*	
1836 LS, LLS (OM 541.942)	Diesel	11946	265	360	04.03-	*	*
2436 LS (OM 541.972)	Diesel	11946	265	360	06.08-	*	*
2436 LS (OM 541.998)	Diesel	11946	265	360	06.08-	*	*
2436 LS	Diesel	11946	265	360	06.08-	*	
2536 LS	Diesel	11946	265	360	06.08-	*	*
2636 LS (OM 541.942)	Diesel	11946	265	360	04.03-	*	*
2636 LS (OM 541.972)	Diesel	11946	265	360	04.03-	*	*
2636 LS (OM 541.998)	Diesel	11946	265	360	04.03-	*	*
2636 LS (OM 541.972)	Diesel	11946	265	360	10.09-	*	*
2636 LS (OM 541.998)	Diesel	11946	265	360	10.09-	*	*
3336 AS (OM 541.943)	Diesel	11946	265	360	04.03-	*	
3336 AS (OM 541.973)	Diesel	11946	265	360	04.03-	*	
3336S (OM 541.942)	Diesel	11946	265	360	04.03-	*	*
3336S (OM 541.972)	Diesel	11946	265	360	04.03-	*	*
1840LS	Diesel	11946	290	394	11.02-	*	
2040 S	Diesel	11946	290	394	11.02-	*	
2041 AS (OM 541.924)	Diesel	11946	290	394	04.03-	*	*
2041 S (OM 541.923)	Diesel	11946	290	394	04.03-	*	*
2041 S (OM 541.944)	Diesel	11946	290	394	04.03-	*	*
2041 S (OM 541.974)	Diesel	11946	290	394	04.03-	*	*
2540 LS	Diesel	11946	290	394	11.02-	*	
2540 LS	Diesel	11946	290	394	11.02-	*	
2541 LS (OM 541.923)	Diesel	11946	290	394	04.03-	*	*
2541 LS (OM 541.944)	Diesel	11946	290	394	04.03-	*	*
2541 LS	Diesel	11946	290	394	04.03-	*	
2640 LS (OM 541.923)	Diesel	11946	290	394	10.09-	*	*
2640 LS (OM 541.944)	Diesel	11946	290	394	10.09-	*	*
2640 LS (OM 541.944)	Diesel	11946	290	394	10.02-	*	*
2640 S	Diesel	11946	290	394	11.02-	*	
3340 S	Diesel	11946	290	394	11.02-	*	
1841 LS, LLS (OM 541.944)	Diesel	11946	300	408	04.03-	*	*
1841 LS, LLS (OM 541.974)	Diesel	11946	300	408	04.03-	*	*
2441 LS (OM 541.974)	Diesel	11946	300	408	06.08-	*	*
2441 LS (OM 541.990)	Diesel	11946	300	408	06.08-	*	*
2441 LS	Diesel	11946	300	408	06.08-	*	
2541 LS (OM 541.974)	Diesel	11946	300	408	06.08-	*	*
2641 LS (OM 541.974)	Diesel	11946	300	408	10.09-	*	*
2641 LS (OM 541.990)	Diesel	11946	300	408	10.09-	*	*
2641 S, LS (OM 541.944)	Diesel	11946	300	408	04.03-	*	*
2641 S, LS (OM 541.974)	Diesel	11946	300	408	04.03-	*	*
2641 S, LS (OM 541.990)	Diesel	11946	300	408	04.03-	*	*
3341 AS (OM 541.944)	Diesel	11946	300	408	04.03-	*	
3341 AS (OM 541.945)	Diesel	11946	300	408	04.03-	*	
3341 AS (OM 541.975)	Diesel	11946	300	408	04.03-	*	
3341 S (OM 541.923)	Diesel	11946	300	408	04.03-	*	*
3341 S (OM 541.944)	Diesel	11946	300	408	04.03-	*	*
3341 S (OM 541.974)	Diesel	11946	300	408	04.03-	*	*

LISTA DE APLICACIONES - BUYERS GUIDE

1843 LS		Diesel		11946	315	428	11.02-	*	
2043 S		Diesel		11946	315	428	11.02-	*	
2044 AS (OM 541.921)		Diesel		11946	315	428	04.03-	*	*
2044 AS (OM 541.947)		Diesel		11946	315	428	04.03-	*	*
2044 S (OM 541.925)		Diesel		11946	315	428	04.03-	*	*
2044 S (OM 541.946)		Diesel		11946	315	428	04.03-	*	*
2044 S (OM 541.976)		Diesel		11946	315	428	04.03-	*	*
2543 LS		Diesel		11946	315	428	11.02-	*	
2543 LS		Diesel		11946	315	428	11.02-	*	
2544 LS (OM 541.925)		Diesel		11946	315	428	04.03-	*	*
2544 LS (OM 541.946)		Diesel		11946	315	428	04.03-	*	*
2544 LS (OM 541.976)		Diesel		11946	315	428	04.03-	*	*
2544 LS		Diesel		11946	315	428	04.03-	*	
2643 LS (OM 541.925)		Diesel		11946	315	428	10.09-	*	*
2643 LS (OM 541.946)		Diesel		11946	315	428	10.09-	*	*
2643 LS (OM 541.976)		Diesel		11946	315	428	10.09-	*	*
2643 LS (OM 541.992)		Diesel		11946	315	428	10.09-	*	*
2643 LS		Diesel		11946	315	428	11.02-	*	
2643 S		Diesel		11946	315	428	11.02-	*	
2644 S, LS (OM 541.925)		Diesel		11946	315	428	04.03-	*	*
2644 S, LS (OM 541.946)		Diesel		11946	315	428	04.03-	*	*
2644 S, LS (OM 541.976)		Diesel		11946	315	428	04.03-	*	*
2644 S, LS (OM 541.992)		Diesel		11946	315	428	04.03-	*	*
3343 S		Diesel		11946	315	428	11.02-	*	
1844 LS, LLS (OM 541.946)		Diesel		11946	320	435	04.03-	*	*
1844 LS, LLS (OM 541.976)		Diesel		11946	320	435	04.03-	*	*
2444 LS (OM 541.976)		Diesel		11946	320	435	06.08-	*	*
2444 LS (OM 541.992)		Diesel		11946	320	435	06.08-	*	*
2444 LS		Diesel		11946	320	435	06.08-	*	
2544 LS (OM 541.976)		Diesel		11946	320	435	06.08-	*	*
3344 AS (OM 541.947)		Diesel		11946	320	435	04.03-	*	
3344 AS (OM 541.977)		Diesel		11946	320	435	04.03-	*	
3344 S (OM 541.946)		Diesel		11946	320	435	04.03-	*	*
3344 S (OM 541.976)		Diesel		11946	320	435	04.03-	*	*
1846 LS, LLS (OM 541.948)		Diesel		11946	335	456	04.03-	*	*
1846 LS, LLS (OM 541.980)		Diesel		11946	335	456	04.03-	*	*
2046 AS (OM 541.948)		Diesel		11946	335	456	04.03-	*	
2046 S (OM 541.948)		Diesel		11946	335	456	04.03-	*	*
2046 S (OM 541.980)		Diesel		11946	335	456	04.03-	*	*
2446 LS (OM 541.980)		Diesel		11946	335	455	06.08-	*	*
2446 LS (OM 541.994)		Diesel		11946	335	455	06.08-	*	*
2446 LS		Diesel		11946	335	456	06.08-	*	
2546 LS (OM 541.948)		Diesel		11946	335	456	04.03-	*	*
2546 LS (OM 541.980)		Diesel		11946	335	456	04.03-	*	*
2546 LS		Diesel		11946	335	456	06.08-	*	*
2546 LS		Diesel		11946	335	456	06.08-	*	
2546 LS		Diesel		11946	335	456	04.03-	*	
2646 LS (OM 541.948)		Diesel		11946	335	456	10.09-	*	*
2646 LS (OM 541.994)		Diesel		11946	335	456	10.09-	*	*
2646 S, LS (OM 541.948)		Diesel		11946	335	456	04.03-	*	*
2646 S, LS (OM 541.980)		Diesel		11946	335	456	04.03-	*	*

LISTA DE APLICACIONES - BUYERS GUIDE

2646 S, LS (OM 541.994)	Diesel	11946	335	456	04.03-	*	*
3346 AS (OM 541.949)	Diesel	11946	335	456	04.03-	*	
3346 AS (OM 541.981)	Diesel	11946	335	456	04.03-	*	
3346 S (OM 541.948)	Diesel	11946	335	456	04.03-	*	*
1848, LS, LLS (OM 541.948)	Diesel	11946	350	476	04.03-	*	*
1848, LS, LLS (OM 541.978)	Diesel	11946	350	476	04.03-	*	*
2048 AS (OM 541.948)	Diesel	11946	350	476	04.03-	*	*
2048 S (OM 541.948)	Diesel	11946	350	476	06.08-	*	*
2048 S (OM 541.978)	Diesel	11946	350	476	06.08-	*	*
2448LS (OM 541.978)	Diesel	11946	350	476	06.08-	*	*
2448LS	Diesel	11946	350	476	06.08-	*	
2548 LS (OM 541.948)	Diesel	11946	350	476	04.03-	*	*
2548 LS (OM 541.978)	Diesel	11946	350	476	04.03-	*	*
2548 LS	Diesel	11946	350	476	06.08-	*	*
2548 LS	Diesel	11946	350	476	04.03-	*	
2648 LS	Diesel	11946	350	476	11.02-	*	
2648 S, LS (OM 541.948)	Diesel	11946	350	476	04.03-	*	*
2648 S, LS (OM 541.978)	Diesel	11946	350	476	04.03-	*	*
3348 AS (OM 541.948)	Diesel	11946	350	476	04.03-	*	*
3348 S (OM 541.948)	Diesel	11946	350	476	04.03-	*	*
2648 LS (OM 541.948)	Diesel	11946	355	483	10.09-	*	*
1848 S, LS (OM 542.921)	Diesel	15928	350	476	04.03-	*	*
2048 AS (OM 542.925)	Diesel	15928	350	476	04.03-	*	
2048 S	Diesel	15928	350	476	11.02-	*	
2548 LS	Diesel	15928	350	476	11.02-	*	
2548 LS	Diesel	15928	350	476	11.02-	*	
2648 LS (OM 542.921)	Diesel	15928	350	476	10.02-	*	*
2648 LS	Diesel	15928	350	476	11.02-	*	
2648S	Diesel	15928	350	476	11.02-	*	
3348 AS (OM 542.925)	Diesel	15928	350	476	04.03-	*	
3348 S (OM 542.921)	Diesel	15928	350	476	04.03-	*	*
1850, 1851 LS, LLS (OM 542.940)	Diesel	15928	370	503	04.03-	*	*
1850, 1851 LS, LLS (OM 542.960)	Diesel	15928	370	503	04.03-	*	*
2050S (OM 542.940)	Diesel	15928	370	503	04.03-	*	*
2050S (OM 542.941)	Diesel	15928	370	503	04.03-	*	*
2550, LS (OM 542.940)	Diesel	15928	370	503	04.03-	*	*
2550 LS (OM 542.940)	Diesel	15928	370	503	04.03-	*	*
2550 LS	Diesel	15928	370	503	11.02-	*	
2550 LS	Diesel	15928	370	503	11.02-	*	
2650 S, LS (OM 542.940)	Diesel	15928	370	503	04.03-	*	*
3350 S (OM 542.940)	Diesel	15928	370	503	06.09-	*	*
3350 S	Diesel	15928	370	503	11.02-	*	
3351 AS (OM 542.941)	Diesel	15928	370	503	04.03-	*	
3351 AS (OM 542.961)	Diesel	15928	370	503	04.03-	*	
3550S (OM 542.940)	Diesel	15928	370	503	06.09-	*	*
2051 AS (OM 542.940)	Diesel	15928	375	510	04.03-	*	
2051 AS (OM 542.960)	Diesel	15928	375	510	04.03-	*	
2051 S (OM 542.940)	Diesel	15928	375	510	06.08-	*	*
2051 S (OM 542.960)	Diesel	15928	375	510	06.08-	*	*
2451 LS (OM 542.960)	Diesel	15928	375	510	06.08-	*	*
2451 LS	Diesel	15928	375	510	06.08-	*	

LISTA DE APLICACIONES - BUYERS GUIDE

2551 LS (OM 542.960)		Diesel		15928	375	510	04.03-	*	*
2551 LS		Diesel		15928	375	510	11.02-	*	
2651 LS (OM 542.960)		Diesel		15928	375	510	10.09-	*	*
2651 S, LS (OM 542.960)		Diesel		15928	375	510	04.03-	*	*
3351 S (OM 542.940)		Diesel		15928	375	510	04.03-	*	*
3351 S (OM 542.960)		Diesel		15928	375	510	04.03-	*	*
1853 LS		Diesel		15928	390	530	11.02-	*	
2553 LS		Diesel		15928	390	530	11.02-	*	
2553 LS		Diesel		15928	390	530	11.02-	*	
2653 LS (OM 542.920)		Diesel		15928	390	530	10.09-	*	*
2653 LS (OM 542.942)		Diesel		15928	390	530	10.09-	*	*
2653 LS		Diesel		15928	390	530	11.02-	*	
2653 S		Diesel		15928	390	530	11.02-	*	
2654 S, LS (OM 542.920)		Diesel		15928	390	530	04.03-	*	*
2654 S, LS (OM 542.942)		Diesel		15928	390	530	04.03-	*	*
3353 S		Diesel		15928	390	530	11.02-	*	
1854 LS (OM 542.942)		Diesel		15928	395	537	04.03-	*	*
2054 S (OM 542.942)		Diesel		15928	395	537	04.03-	*	*
2554 LS (OM 542.942)		Diesel		15928	395	537	04.03-	*	*
2554 LS		Diesel		15928	395	537	11.02-	*	
2654 LS		Diesel		15928	395	537	10.09-	*	
3354 S		Diesel		15928	395	537	11.02-	*	
4154 S		Diesel		15928	395	537	04.03-	*	
1855 LS, LLS (OM 542.962)		Diesel		15928	405	551	06.08-	*	*
2055 S (OM 542.962)		Diesel		15928	405	551	06.08-	*	*
2455 LS (OM 542.962)		Diesel		15928	405	550	06.08-	*	*
2455 LS		Diesel		15928	405	551	06.08-	*	
2555 LS (OM 542.962)		Diesel		15928	405	551	09.05-	*	*
2555 LS		Diesel		15928	405	551	11.02-	*	
2655 LS (OM 542.962)		Diesel		15928	405	551	10.09-	*	*
2655 S, LS (OM 542.962)		Diesel		15928	405	551	04.03-	*	*
3355 AS (OM 542.963)		Diesel		15928	405	551	04.03-	*	
3355 S (OM 542.962)		Diesel		15928	405	551	04.03-	*	*
1858 LS (OM 542.944)		Diesel		15928	425	578	10.02-	*	*
2658 LS (OM 542.944)		Diesel		15928	425	578	04.03-	*	*
1860 LS (OM 542.964)		Diesel		15928	440	598	06.08-	*	*
2460 LS (OM 542.964)		Diesel		15928	440	598	06.08-	*	*
2460 LS		Diesel		15928	440	598	06.08-	*	
2660 S, LS (OM 542.964)		Diesel		15928	440	598	06.08-	*	*
3360 S		Diesel		15928	440	598	11.02-	*	
4160 S (OM 542.956)		Diesel		15928	448	609	10.02-	*	
4160 S (OM 542.957)		Diesel		15928	448	609	10.02-	*	
1861 LS (OM 542.958)		Diesel		15928	450	612	05.05-	*	*
2665 LS (OM 542.968)		Diesel		15928	480	653	04.03-	*	*
3365 S		Diesel		15928	480	653	11.02-	*	
4165 S		Diesel		15928	480	653	08.08-	*	
ACTROS MP2 / MP3 10.02-									Caja/Chasis
1831		Diesel		11946	230	313	11.02-	*	
1831 L		Diesel		11946	230	313	11.02-	*	
1831 LL		Diesel		11946	230	313	11.02-	*	
2031		Diesel		11946	230	313	11.02-	*	

LISTA DE APLICACIONES - BUYERS GUIDE

2032 (OM 541.920)	Diesel	11946	230	313	04.03-	*	*
2032 (OM 541.940)	Diesel	11946	230	313	04.03-	*	*
2032 A, AE (OM 541.926)	Diesel	11946	230	313	04.03-	*	*
2032 A, AE (OM 541.940)	Diesel	11946	230	313	04.03-	*	*
2032 A, AE (OM 541.941)	Diesel	11946	230	313	04.03-	*	*
2531	Diesel	11946	230	313	11.02-	*	
2531 L	Diesel	11946	230	313	11.02-	*	
2531 L	Diesel	11946	230	313	11.02-	*	
2531 LL	Diesel	11946	230	313	11.02-	*	
2531 LL	Diesel	11946	230	313	11.02-	*	
2532, L, LL (OM 541.920)	Diesel	11946	230	312	04.03-	*	*
2532, L, LL (OM 541.940)	Diesel	11946	230	312	04.03-	*	*
2532, L, LL (OM 541.970)	Diesel	11946	230	312	04.03-	*	*
2532, L, LL (OM 541.996)	Diesel	11946	230	312	04.03-	*	*
2532, L, LL	Diesel	11946	230	312	04.03-	*	
2631	Diesel	11946	230	313	11.02-	*	
2631 L (OM 541.920)	Diesel	11946	230	313	04.03-	*	*
2631 L (OM 541.940)	Diesel	11946	230	313	04.03-	*	*
3331, 3332 (OM 541.920)	Diesel	11946	230	313	04.03-	*	*
3331, 3332 (OM 541.940)	Diesel	11946	230	313	04.03-	*	*
3331 A, 3332 A (OM 541.920)	Diesel	11946	230	313	04.03-	*	
3331 A, 3332 A (OM 541.926)	Diesel	11946	230	313	04.03-	*	
3331 A, 3332 A (OM 541.940)	Diesel	11946	230	313	04.03-	*	
3331 A, 3332 A (OM 541.941)	Diesel	11946	230	313	04.03-	*	
3331 A, 3332 A (OM 541.971)	Diesel	11946	230	313	04.03-	*	
3331 A, 3332 A (OM 541.997)	Diesel	11946	230	313	04.03-	*	
1832, L, LL (OM 541.940)	Diesel	11946	235	320	04.03-	*	*
1832, L, LL (OM 541.970)	Diesel	11946	235	320	04.03-	*	*
2632, L, LL (OM 541.940)	Diesel	11946	235	320	04.03-	*	*
2632, L, LL (OM 541.970)	Diesel	11946	235	320	04.03-	*	*
2632, L, LL (OM 541.996)	Diesel	11946	235	320	04.03-	*	*
1835	Diesel	11946	260	354	11.02-	*	
1835 L	Diesel	11946	260	354	11.02-	*	
1835 LL	Diesel	11946	260	354	11.02-	*	
2035	Diesel	11946	260	354	11.02-	*	
2036 (OM 541.922)	Diesel	11946	260	354	04.03-	*	*
2036 (OM 541.942)	Diesel	11946	260	354	04.03-	*	*
2036 A, AE (OM 541.927)	Diesel	11946	260	354	04.03-	*	*
2036 A, AE (OM 541.942)	Diesel	11946	260	354	04.03-	*	*
2036 A, AE (OM 541.943)	Diesel	11946	260	354	04.03-	*	*
2535	Diesel	11946	260	354	11.02-	*	
2535 L	Diesel	11946	260	354	11.02-	*	
2535 L	Diesel	11946	260	354	11.02-	*	
2535 LL	Diesel	11946	260	354	11.02-	*	
2535 LL	Diesel	11946	260	354	11.02-	*	
2536, L, LL (OM 541.922)	Diesel	11946	260	354	04.03-	*	*
2536, L, LL (OM 541.942)	Diesel	11946	260	354	04.03-	*	*
2536, L, LL (OM 541.943)	Diesel	11946	260	354	04.03-	*	*
2536, L, LL (OM 541.972)	Diesel	11946	260	354	04.03-	*	*
2536, L, LL (OM 541.998)	Diesel	11946	260	354	04.03-	*	*
2536, L, LL	Diesel	11946	260	354	04.03-	*	

LISTA DE APLICACIONES - BUYERS GUIDE

2635		Diesel		11946	260	354	11.02-	*	
2635 L (OM 541.922)		Diesel		11946	260	354	04.03-	*	*
2635 L (OM 541.942)		Diesel		11946	260	354	04.03-	*	*
3335		Diesel		11946	260	354	11.02-	*	
3335 A (OM 541.927)		Diesel		11946	260	354	04.03-	*	
3335 A (OM 541.943)		Diesel		11946	260	354	04.03-	*	
1836, L, LL (OM 541.942)		Diesel		11946	265	360	04.03-	*	*
1836 A (OM 541.943)		Diesel		11946	265	360	10.02-	*	*
2636, L, LL (OM 541.942)		Diesel		11946	265	360	04.03-	*	*
2636, L, LL (OM 541.972)		Diesel		11946	265	360	04.03-	*	*
2636, L, LL (OM 541.998)		Diesel		11946	265	360	04.03-	*	*
3336 (OM 541.942)		Diesel		11946	265	360	04.03-	*	*
3336 (OM 541.972)		Diesel		11946	265	360	04.03-	*	*
3336 A (OM 541.942)		Diesel		11946	265	360	04.03-	*	
3336 A (OM 541.943)		Diesel		11946	265	360	04.03-	*	
3336 A (OM 541.973)		Diesel		11946	265	360	04.03-	*	
3336 A (OM 541.999)		Diesel		11946	265	360	04.03-	*	
1840		Diesel		11946	290	394	11.02-	*	
1840 L		Diesel		11946	290	394	11.02-	*	
1840 LL		Diesel		11946	290	394	11.02-	*	
2040 (OM 541.923)		Diesel		11946	290	394	10.02-	*	*
2040 (OM 541.944)		Diesel		11946	290	394	10.02-	*	*
2041 (OM 541.944)		Diesel		11946	290	394	04.03-	*	*
2041 (OM 541.974)		Diesel		11946	290	394	04.03-	*	*
2540		Diesel		11946	290	394	11.02-	*	
2540 L		Diesel		11946	290	394	11.02-	*	
2540 L		Diesel		11946	290	394	11.02-	*	
2540 LL		Diesel		11946	290	394	11.02-	*	
2540 LL		Diesel		11946	290	394	11.02-	*	
2541, L, LL (OM 541.923)		Diesel		11946	290	394	04.03-	*	*
2541, L, LL (OM 541.944)		Diesel		11946	290	394	04.03-	*	*
2541, L, LL (OM 541.974)		Diesel		11946	290	394	04.03-	*	*
2541, L, LL (OM 541.990)		Diesel		11946	290	394	04.03-	*	*
2541, L, LL		Diesel		11946	290	394	04.03-	*	
2640		Diesel		11946	290	394	11.02-	*	
2640 L (OM 541.923)		Diesel		11946	290	394	04.03-	*	*
2640 L (OM 541.944)		Diesel		11946	290	394	04.03-	*	*
3240 (OM 541.923)		Diesel		11946	290	394	04.03-	*	*
3339 A (OM 541.924)		Diesel		11946	290	394	04.03-	*	*
3339 A (OM 541.945)		Diesel		11946	290	394	04.03-	*	*
1841, L, LL (OM 541.944)		Diesel		11946	300	408	04.03-	*	*
1841, L, LL (OM 541.974)		Diesel		11946	300	408	04.03-	*	*
1841 A (OM 541.944)		Diesel		11946	300	408	10.02-	*	*
1841 A (OM 541.974)		Diesel		11946	300	408	10.02-	*	*
2641, L, LL (OM 541.944)		Diesel		11946	300	408	04.03-	*	*
2641, L, LL (OM 541.974)		Diesel		11946	300	408	04.03-	*	*
2641, L, LL (OM 541.990)		Diesel		11946	300	408	04.03-	*	*
3241 (OM 541.944)		Diesel		11946	300	408	04.03-	*	*
3241 (OM 541.974)		Diesel		11946	300	408	04.03-	*	*
3241 (OM 541.990)		Diesel		11946	300	408	04.03-	*	*
3241 L (OM 541.944)		Diesel		11946	300	408	06.08-	*	*

LISTA DE APLICACIONES - BUYERS GUIDE

3241 L (OM 541.944)	Diesel	11946	300	408	06.08-	*	*
3341 (OM 541.944)	Diesel	11946	300	408	04.03-	*	*
3341 (OM 541.974)	Diesel	11946	300	408	04.03-	*	*
3341 A (OM 541.991)	Diesel	11946	300	408	04.03-	*	
4141 (OM 541.944)	Diesel	11946	300	408	06.08-	*	
1843	Diesel	11946	315	428	11.02-	*	
1843 L	Diesel	11946	315	428	11.02-	*	
1843 LL	Diesel	11946	315	428	11.02-	*	
1844 A (OM 541.946)	Diesel	11946	315	428	04.03-	*	*
1844 A (OM 541.976)	Diesel	11946	315	428	04.03-	*	*
2043	Diesel	11946	315	428	11.02-	*	
2044 (OM 541.946)	Diesel	11946	315	428	04.03-	*	*
2044 (OM 541.976)	Diesel	11946	315	428	04.03-	*	*
2543	Diesel	11946	315	428	11.02-	*	
2543 L	Diesel	11946	315	428	11.02-	*	
2543 L	Diesel	11946	315	428	11.02-	*	
2543 LL	Diesel	11946	315	428	11.02-	*	
2543 LL	Diesel	11946	315	428	11.02-	*	
2544, L, LL (OM 541.925)	Diesel	11946	315	428	04.03-	*	*
2544, L, LL (OM 541.946)	Diesel	11946	315	428	04.03-	*	*
2544, L, LL (OM 541.976)	Diesel	11946	315	428	04.03-	*	*
2544, L, LL (OM 541.992)	Diesel	11946	315	428	04.03-	*	*
2544, L, LL	Diesel	11946	315	428	04.03-	*	
2643	Diesel	11946	315	428	11.02-	*	
2643 L (OM 541.925)	Diesel	11946	315	428	04.03-	*	*
2643 L (OM 541.946)	Diesel	11946	315	428	04.03-	*	*
3243 (OM 541.925)	Diesel	11946	315	428	10.02-	*	*
3243 (OM 541.946)	Diesel	11946	315	428	10.02-	*	*
3343	Diesel	11946	315	428	11.02-	*	
3344 (OM 541.946)	Diesel	11946	315	428	04.03-	*	*
3344 (OM 541.947)	Diesel	11946	315	428	04.03-	*	*
3344 A (OM 541.921)	Diesel	11946	315	428	04.03-	*	
3344 A (OM 541.946)	Diesel	11946	315	428	04.03-	*	
3344 A (OM 541.947)	Diesel	11946	315	428	04.03-	*	
3344 A (OM 541.977)	Diesel	11946	315	428	04.03-	*	
3344 A (OM 541.993)	Diesel	11946	315	428	04.03-	*	
1844, L, LL (OM 541.946)	Diesel	11946	320	435	04.03-	*	*
1844, L, LL (OM 541.976)	Diesel	11946	320	435	04.03-	*	*
2644, L, LL (OM 541.946)	Diesel	11946	320	435	04.03-	*	*
2644, L, LL (OM 541.976)	Diesel	11946	320	435	04.03-	*	*
2644, L, LL (OM 541.992)	Diesel	11946	320	435	04.03-	*	*
3244 (OM 541.976)	Diesel	11946	320	435	04.03-	*	*
3244 (OM 541.992)	Diesel	11946	320	435	04.03-	*	*
1846, L, LL (OM 541.948)	Diesel	11946	335	456	04.03-	*	*
1846, L, LL (OM 541.980)	Diesel	11946	335	456	04.03-	*	*
1846 A (OM 541.948)	Diesel	11946	335	455	04.03-	*	*
2046 (OM 541.948)	Diesel	11946	335	456	04.03-	*	*
2046 (OM 541.980)	Diesel	11946	335	456	04.03-	*	*
2546, L, LL (OM 541.948)	Diesel	11946	335	456	04.03-	*	*
2546, L, LL (OM 541.980)	Diesel	11946	335	456	04.03-	*	*
2546, L, LL (OM 541.994)	Diesel	11946	335	456	04.03-	*	*

LISTA DE APLICACIONES - BUYERS GUIDE

2546, L, LL		Diesel		11946	335	456	04.03-	*	
2646, L, LL (OM 541.948)		Diesel		11946	335	456	04.03-	*	*
2646, L, LL (OM 541.980)		Diesel		11946	335	456	04.03-	*	*
2646, L, LL (OM 541.994)		Diesel		11946	335	456	04.03-	*	*
3246 (OM 541.948)		Diesel		11946	335	456	04.03-	*	*
3246 (OM 541.980)		Diesel		11946	335	456	04.03-	*	*
3346 (OM 541.948)		Diesel		11946	335	456	04.03-	*	*
3346 A (OM 541.949)		Diesel		11946	335	456	04.03-	*	
3346 A (OM 541.995)		Diesel		11946	335	456	04.03-	*	
1848, L, LL (OM 541.948)		Diesel		11946	350	476	04.03-	*	*
1848, L, LL (OM 541.978)		Diesel		11946	350	476	04.03-	*	*
1848 A (OM 541.978)		Diesel		11946	350	476	04.03-	*	*
2048 (OM 541.978)		Diesel		11946	350	476	06.08-	*	*
2548, L,LL (OM 541.948)		Diesel		11946	350	476	04.03-	*	*
2548, L,LL (OM 541.978)		Diesel		11946	350	476	04.03-	*	*
2548, L,LL		Diesel		11946	350	476	04.03-	*	
2648, L, LL (OM 541.948)		Diesel		11946	350	476	04.03-	*	*
2648, L, LL (OM 541.978)		Diesel		11946	350	476	04.03-	*	*
3248, L (OM 541.978)		Diesel		11946	350	476	04.03-	*	*
3348 (OM 541.978)		Diesel		11946	350	476	04.03-	*	*
3348 A (OM 541.949)		Diesel		11946	350	476	04.03-	*	*
1848, L, LL (OM 542.921)		Diesel		15928	350	476	04.03-	*	*
2548		Diesel		15928	350	476	11.02-	*	
2548 L (OM 542.921)		Diesel		15928	350	476	04.03-	*	*
2548 L (OM 542.940)		Diesel		15928	350	476	04.03-	*	*
2548 L		Diesel		15928	350	476	11.02-	*	
2548 LL		Diesel		15928	350	476	11.02-	*	
2548 LL		Diesel		15928	350	476	11.02-	*	
2648		Diesel		15928	350	476	11.02-	*	
2648 L (OM 542.921)		Diesel		15928	350	476	04.03-	*	*
2648 L (OM 542.940)		Diesel		15928	350	476	04.03-	*	*
3348 (OM 542.921)		Diesel		15928	350	476	04.03-	*	*
1850, 1851, L, LL (OM 542.940)		Diesel		15928	370	503	04.03-	*	*
1850, 1851, L, LL (OM 542.960)		Diesel		15928	370	503	04.03-	*	*
2550		Diesel		15928	370	503	11.02-	*	
2550 L		Diesel		15928	370	503	11.02-	*	
2550 L		Diesel		15928	370	503	11.02-	*	
2550 LL		Diesel		15928	370	503	11.02-	*	
2550 LL		Diesel		15928	370	503	11.02-	*	
2650, L, 2651,L, LL (OM 542.940)		Diesel		15928	370	503	04.03-	*	*
3250 (OM 542.940)		Diesel		15928	370	503	04.03-	*	
3350, 3351 (OM 542.940)		Diesel		15928	370	503	04.03-	*	*
3350, 3351 (OM 542.960)		Diesel		15928	370	503	04.03-	*	*
2551, L, LL (OM 542.960)		Diesel		15928	375	510	04.03-	*	*
2551, L, LL		Diesel		15928	375	510	04.03-	*	
2651		Diesel		15928	375	510	11.02-	*	
2651 L (OM 542.960)		Diesel		15928	375	510	04.03-	*	*
3351 A (OM 542.961)		Diesel		15928	375	510	06.08-	*	
1853 L		Diesel		15928	390	530	11.02-	*	
1854		Diesel		15928	390	530	11.02-	*	
2553		Diesel		15928	390	530	11.02-	*	

LISTA DE APLICACIONES - BUYERS GUIDE

2553 L (OM 542.920)	Diesel	15928	390	530	04.03-	*	*
2553 L (OM 542.942)	Diesel	15928	390	530	04.03-	*	*
2553 L	Diesel	15928	390	530	11.02-	*	
2553 LL	Diesel	15928	390	530	11.02-	*	
2553 LL	Diesel	15928	390	530	11.02-	*	
2653	Diesel	15928	390	530	11.02-	*	
2653 L (OM 542.920)	Diesel	15928	390	530	04.03-	*	*
3353	Diesel	15928	390	530	11.02-	*	
1854, L (OM 542.942)	Diesel	15928	395	537	04.03-	*	*
1854, L (OM 542.962)	Diesel	15928	395	537	04.03-	*	*
1854 LL	Diesel	15928	395	537	11.02-	*	
2554, L (OM 542.942)	Diesel	15928	395	537	04.03-	*	*
2554 L	Diesel	15928	395	537	11.02-	*	
2554 L	Diesel	15928	395	537	11.02-	*	
2554 LL	Diesel	15928	395	537	11.02-	*	
2554 LL	Diesel	15928	395	537	11.02-	*	
2654, L, 2655, L, LL (OM 542.942)	Diesel	15928	395	537	04.03-	*	*
2654, L, 2655, L, LL (OM 542.962)	Diesel	15928	395	537	04.03-	*	*
3354, 3355 (OM 542.942)	Diesel	15928	395	537	04.03-	*	*
3354, 3355 (OM 542.962)	Diesel	15928	395	537	04.03-	*	*
1855, L, LL (OM 542.962)	Diesel	15928	405	551	06.08-	*	*
2555, L, LL (OM 542.962)	Diesel	15928	405	551	04.03-	*	*
2555, L, LL	Diesel	15928	405	551	04.03-	*	
3255 L (OM 542.962)	Diesel	15928	405	551	02.09-	*	*
3355 A (OM 542.963)	Diesel	15928	405	551	04.03-	*	
1858, L (OM 542.944)	Diesel	15928	425	578	04.03-	*	*
1858 LL	Diesel	15928	425	578	11.02-	*	
2558, L (OM 542.944)	Diesel	15928	425	578	04.03-	*	*
2558 L	Diesel	15928	425	578	11.02-	*	
2558 LL	Diesel	15928	425	578	11.02-	*	
2658 L (OM 542.944)	Diesel	15928	425	578	04.03-	*	*
3358 (OM 542.944)	Diesel	15928	425	578	04.03-	*	*
1860 L, LL (OM 542.964)	Diesel	15928	440	598	05.05-	*	*
2560, L, LL (OM 542.964)	Diesel	15928	440	598	04.03-	*	*
2560, L, LL	Diesel	15928	440	598	04.03-	*	
2660 L, LL (OM 542.964)	Diesel	15928	440	598	05.05-	*	*
3260 L (OM 542.964)	Diesel	15928	440	598	02.09-	*	*
3360 (OM 542.964)	Diesel	15928	440	598	04.03-	*	*
3360 A (OM 542.965)	Diesel	15928	440	598	04.03-	*	
3365 A (OM 542.968)	Diesel	15928	480	653	04.03-	*	
3365 A (OM 542.969)	Diesel	15928	480	653	04.03-	*	
ACTROS MP2 / MP3 10.02-						Camión volquete	
1831AK (OM 541.926)	Diesel	11946	230	313	04.03-	*	
1831AK (OM 541.941)	Diesel	11946	230	313	04.03-	*	
1831K (OM 541.920)	Diesel	11946	230	313	04.03-	*	*
1831K (OM 541.940)	Diesel	11946	230	313	04.03-	*	*
2031 K	Diesel	11946	230	313	11.02-	*	
2032 AK (OM 541.920)	Diesel	11946	230	313	04.03-	*	*
2032 AK (OM 541.926)	Diesel	11946	230	313	04.03-	*	*
2032 AK (OM 541.940)	Diesel	11946	230	313	04.03-	*	*
2032 AK (OM 541.941)	Diesel	11946	230	313	04.03-	*	*

LISTA DE APLICACIONES - BUYERS GUIDE

2032 AK (OM 541.997)		Diesel		11946	230	313	04.03-	*	*
2032 K (OM 541.920)		Diesel		11946	230	313	04.03-	*	*
2032 K (OM 541.940)		Diesel		11946	230	313	04.03-	*	*
2032 K (OM 541.970)		Diesel		11946	230	313	04.03-	*	*
2032 K (OM 541.996)		Diesel		11946	230	313	04.03-	*	*
2631 K, LK (OM 541.920)		Diesel		11946	230	313	04.03-	*	*
2631 K, LK (OM 541.940)		Diesel		11946	230	313	04.03-	*	*
3231 K, 3232 K (OM 541.920)		Diesel		11946	230	313	04.03-	*	*
3231 K, 3232 K (OM 541.940)		Diesel		11946	230	313	04.03-	*	*
3231 K, 3232 K (OM 541.970)		Diesel		11946	230	313	04.03-	*	*
3231 K, 3232 K (OM 541.996)		Diesel		11946	230	313	04.03-	*	*
3331 AK, 3332 AK (OM 541.920)		Diesel		11946	230	313	04.03-	*	
3331 AK, 3332 AK (OM 541.926)		Diesel		11946	230	313	04.03-	*	
3331 AK, 3332 AK (OM 541.940)		Diesel		11946	230	313	04.03-	*	
3331 K (OM 541.920)		Diesel		11946	230	313	04.03-	*	*
3331 K (OM 541.940)		Diesel		11946	230	313	04.03-	*	*
3332 K (OM 541.920)		Diesel		11946	230	313	04.03-	*	*
3332 K (OM 541.940)		Diesel		11946	230	313	04.03-	*	*
3332 K (OM 541.970)		Diesel		11946	230	313	04.03-	*	*
3332 K (OM 541.996)		Diesel		11946	230	313	04.03-	*	*
1832 AK (OM 541.940)		Diesel		11946	235	320	04.03-	*	*
1832 AK (OM 541.971)		Diesel		11946	235	320	04.03-	*	*
1832 AK (OM 541.997)		Diesel		11946	235	320	04.03-	*	*
1832 K (OM 541.940)		Diesel		11946	235	320	04.03-	*	*
1832 K (OM 541.970)		Diesel		11946	235	320	04.03-	*	*
1832 K (OM 541.996)		Diesel		11946	235	320	04.03-	*	*
2632 K, LK (OM 541.940)		Diesel		11946	235	320	04.03-	*	*
2632 K, LK (OM 541.970)		Diesel		11946	235	320	04.03-	*	*
2632 K, LK (OM 541.996)		Diesel		11946	235	320	04.03-	*	*
3332 AK (OM 541.941)		Diesel		11946	235	320	04.03-	*	
3332 AK (OM 541.997)		Diesel		11946	235	320	04.03-	*	
3332 AKE (OM 541.997)		Diesel		11946	235	320	04.03-	*	*
1835 AK (OM 541.927)		Diesel		11946	260	354	04.03-	*	
1835 AK (OM 541.943)		Diesel		11946	260	354	04.03-	*	
1835 K (OM 541.922)		Diesel		11946	260	354	04.03-	*	*
1835 K (OM 541.942)		Diesel		11946	260	354	04.03-	*	*
2035 K		Diesel		11946	260	354	11.02-	*	
2036 AK (OM 541.927)		Diesel		11946	260	354	04.03-	*	
2036 AK (OM 541.942)		Diesel		11946	260	354	04.03-	*	
2036 AK (OM 541.943)		Diesel		11946	260	354	04.03-	*	
2036 AK (OM 541.999)		Diesel		11946	260	354	04.03-	*	
2036 K (OM 541.922)		Diesel		11946	260	354	04.03-	*	*
2036 K (OM 541.942)		Diesel		11946	260	354	04.03-	*	*
2036 K (OM 541.972)		Diesel		11946	260	354	04.03-	*	*
2036 K (OM 541.998)		Diesel		11946	260	354	04.03-	*	*
2635 K, LK (OM 541.922)		Diesel		11946	260	354	04.03-	*	*
2635 K, LK (OM 541.942)		Diesel		11946	260	354	04.03-	*	*
3235K (OM 541.922)		Diesel		11946	260	354	04.03-	*	*
3235K (OM 541.942)		Diesel		11946	260	354	04.03-	*	*
3335 K (OM 541.922)		Diesel		11946	260	354	04.03-	*	*
3336AK (OM 541.927)		Diesel		11946	260	354	04.03-	*	

LISTA DE APLICACIONES - BUYERS GUIDE

3336AK (OM 541.943)	Diesel	11946	260	354	04.03-	*	
3336AK (OM 541.973)	Diesel	11946	260	354	04.03-	*	
3336AK (OM 541.999)	Diesel	11946	260	354	04.03-	*	
3336 AKE (OM 541.927)	Diesel	11946	260	354	04.03-	*	*
3336 AKE (OM 541.943)	Diesel	11946	260	354	04.03-	*	*
3336K (OM 541.942)	Diesel	11946	260	354	04.03-	*	*
1836 AK (OM 541.942)	Diesel	11946	265	360	04.03-	*	*
1836 AK (OM 541.999)	Diesel	11946	265	360	04.03-	*	*
1836 K (OM 541.942)	Diesel	11946	265	360	04.03-	*	*
1836 K (OM 541.972)	Diesel	11946	265	360	04.03-	*	*
1836 K (OM 541.998)	Diesel	11946	265	360	04.03-	*	*
2636 K, LK (OM 541.942)	Diesel	11946	265	360	04.03-	*	*
2636 K, LK (OM 541.972)	Diesel	11946	265	360	04.03-	*	*
2636 K, LK (OM 541.998)	Diesel	11946	265	360	04.03-	*	*
3236 K (OM 541.972)	Diesel	11946	265	360	04.03-	*	*
3236 K (OM 541.998)	Diesel	11946	265	360	04.03-	*	*
3336K (OM 541.942)	Diesel	11946	265	360	04.03-	*	*
3336K (OM 541.972)	Diesel	11946	265	360	04.03-	*	*
3336K (OM 541.998)	Diesel	11946	265	360	04.03-	*	*
4036 K	Diesel	11946	265	360	06.09-	*	
1840 AK (OM 541.924)	Diesel	11946	290	394	04.03-	*	
1840 AK (OM 541.945)	Diesel	11946	290	394	04.03-	*	
1840 K (OM 541.923)	Diesel	11946	290	394	04.03-	*	*
1840 K (OM 541.944)	Diesel	11946	290	394	04.03-	*	*
2040 K	Diesel	11946	290	394	11.02-	*	
2041 AK (OM 541.924)	Diesel	11946	290	394	04.03-	*	*
2041 AK (OM 541.944)	Diesel	11946	290	394	04.03-	*	*
2041 AK (OM 541.945)	Diesel	11946	290	394	04.03-	*	*
2041 AK (OM 541.991)	Diesel	11946	290	394	04.03-	*	*
2041 K (OM 541.923)	Diesel	11946	290	394	04.03-	*	*
2041 K (OM 541.944)	Diesel	11946	290	394	04.03-	*	*
2041 K (OM 541.974)	Diesel	11946	290	394	04.03-	*	*
2041 K (OM 541.990)	Diesel	11946	290	394	04.03-	*	*
2640 K, LK (OM 541.923)	Diesel	11946	290	394	04.03-	*	*
2640 K, LK (OM 541.944)	Diesel	11946	290	394	04.03-	*	*
3240 K (OM 541.923)	Diesel	11946	290	394	04.03-	*	*
3240 K (OM 541.944)	Diesel	11946	290	394	04.03-	*	*
3339 AK (OM 541.924)	Diesel	11946	290	394	04.03-	*	*
3339 AK (OM 541.945)	Diesel	11946	290	394	04.03-	*	*
3339 K (OM 541.923)	Diesel	11946	290	394	04.03-	*	*
3339 K (OM 541.944)	Diesel	11946	290	394	04.03-	*	*
3340 K	Diesel	11946	290	394	11.02-	*	
4140 AK (OM 541.923)	Diesel	11946	290	394	04.03-	*	
4140 AK (OM 541.924)	Diesel	11946	290	394	04.03-	*	
4140 AK (OM 541.944)	Diesel	11946	290	394	04.03-	*	
4140 AK (OM 541.945)	Diesel	11946	290	394	04.03-	*	
4140 K (OM 541.923)	Diesel	11946	290	394	04.03-	*	*
4140 K (OM 541.944)	Diesel	11946	290	394	04.03-	*	*
4140 K (OM 541.923)	Diesel	11946	290	394	04.03-	*	
4140 K (OM 541.924)	Diesel	11946	290	394	04.03-	*	
4140 K (OM 541.944)	Diesel	11946	290	394	04.03-	*	

LISTA DE APLICACIONES - BUYERS GUIDE

4140 K (OM 541.945)		Diesel		11946	290	394	04.03-	*	
1841 AK (OM 541.991)		Diesel		11946	300	408	04.03-	*	
1841 K (OM 541.944)		Diesel		11946	300	408	04.03-	*	*
1841 K (OM 541.974)		Diesel		11946	300	408	04.03-	*	*
1841 K (OM 541.990)		Diesel		11946	300	408	04.03-	*	*
1841 L, LL (OM 541.944)		Diesel		11946	300	408	04.03-	*	*
1841 L, LL (OM 541.974)		Diesel		11946	300	408	04.03-	*	*
2641 K, LK (OM 541.944)		Diesel		11946	300	408	04.03-	*	*
2641 K, LK (OM 541.974)		Diesel		11946	300	408	04.03-	*	*
2641 K, LK (OM 541.990)		Diesel		11946	300	408	04.03-	*	*
3241 K (OM 541.974)		Diesel		11946	300	408	04.03-	*	*
3241 K (OM 541.990)		Diesel		11946	300	408	04.03-	*	*
3341 AK (OM 541.945)		Diesel		11946	300	408	04.03-	*	
3341 AK (OM 541.975)		Diesel		11946	300	408	04.03-	*	
3341 AK (OM 541.991)		Diesel		11946	300	408	04.03-	*	
3341 AKE (OM 541.945)		Diesel		11946	300	408	04.03-	*	*
3341 AKE (OM 541.991)		Diesel		11946	300	408	04.03-	*	*
3341 K (OM 541.974)		Diesel		11946	300	408	04.03-	*	*
3341 K (OM 541.990)		Diesel		11946	300	408	04.03-	*	*
4141 AK (OM 541.991)		Diesel		11946	300	408	04.03-	*	
4141 K (OM 541.974)		Diesel		11946	300	408	04.03-	*	*
4141 K (OM 541.990)		Diesel		11946	300	408	04.03-	*	*
4141 K (OM 541.991)		Diesel		11946	300	408	04.03-	*	
4841 K		Diesel		11946	300	408	08.09-	*	
5041 K (OM 541.923)		Diesel		11946	300	408	06.08-	*	*
5041 K (OM 541.944)		Diesel		11946	300	408	06.08-	*	*
5041 K (OM 541.974)		Diesel		11946	300	408	06.08-	*	*
5041 K (OM 541.990)		Diesel		11946	300	408	06.08-	*	*
1843 K		Diesel		11946	315	428	11.02-	*	
1844 AK (OM 541.921)		Diesel		11946	315	428	04.03-	*	*
1844 AK (OM 541.946)		Diesel		11946	315	428	04.03-	*	*
1844 AK (OM 541.947)		Diesel		11946	315	428	04.03-	*	*
1844 AK (OM 541.993)		Diesel		11946	315	428	04.03-	*	*
1844 K (OM 541.925)		Diesel		11946	315	428	04.03-	*	*
1844 K (OM 541.946)		Diesel		11946	315	428	04.03-	*	*
1844 K (OM 541.976)		Diesel		11946	315	428	04.03-	*	*
1844 K (OM 541.992)		Diesel		11946	315	428	04.03-	*	*
2043 K		Diesel		11946	315	428	11.02-	*	
2044 AK (OM 541.921)		Diesel		11946	315	428	04.03-	*	
2044 AK (OM 541.947)		Diesel		11946	315	428	04.03-	*	
2044 AK (OM 541.993)		Diesel		11946	315	428	04.03-	*	
2044 K (OM 541.925)		Diesel		11946	315	428	04.03-	*	*
2044 K (OM 541.946)		Diesel		11946	315	428	04.03-	*	*
2044 K (OM 541.976)		Diesel		11946	315	428	04.03-	*	*
2044 K (OM 541.992)		Diesel		11946	315	428	04.03-	*	*
2643 K, LK (OM 541.925)		Diesel		11946	315	428	04.03-	*	*
2643 K, LK (OM 541.946)		Diesel		11946	315	428	04.03-	*	*
3243 K (OM 541.925)		Diesel		11946	315	428	04.03-	*	*
3243 K (OM 541.946)		Diesel		11946	315	428	04.03-	*	*
3343 AK (OM 541.921)		Diesel		11946	315	428	04.03-	*	
3343 AK (OM 541.947)		Diesel		11946	315	428	04.03-	*	

LISTA DE APLICACIONES - BUYERS GUIDE

3343 K (OM 541.925)	Diesel	11946	315	428	04.03-	*	*
3343 K (OM 541.946)	Diesel	11946	315	428	04.03-	*	*
4143 AK (OM 541.921)	Diesel	11946	315	428	04.03-	*	
4143 K (OM 541.921)	Diesel	11946	315	428	04.03-	*	
4143 K (OM 541.947)	Diesel	11946	315	428	04.03-	*	
4143 K	Diesel	11946	315	428	11.02-	*	
4144 K (OM 541.925)	Diesel	11946	315	428	04.03-	*	*
4144 K (OM 541.946)	Diesel	11946	315	428	04.03-	*	*
4144 K (OM 541.976)	Diesel	11946	315	428	04.03-	*	*
2644 K, LK (OM 541.946)	Diesel	11946	320	435	04.03-	*	*
2644 K, LK (OM 541.976)	Diesel	11946	320	435	04.03-	*	*
2644 K, LK (OM 541.992)	Diesel	11946	320	435	04.03-	*	*
3244 K (OM 541.976)	Diesel	11946	320	435	04.03-	*	*
3244 K (OM 541.992)	Diesel	11946	320	435	04.03-	*	*
3344 AK (OM 541.947)	Diesel	11946	320	435	04.03-	*	
3344 AK (OM 541.977)	Diesel	11946	320	435	04.03-	*	
3344 AK (OM 541.993)	Diesel	11946	320	435	04.03-	*	
3344 AKE (OM 541.947)	Diesel	11946	320	435	04.03-	*	*
3344 AKE (OM 541.993)	Diesel	11946	320	435	04.03-	*	*
3344 K (OM 541.976)	Diesel	11946	320	435	04.03-	*	*
3344 K (OM 541.992)	Diesel	11946	320	435	04.03-	*	*
4144 AK (OM 541.947)	Diesel	11946	320	435	04.03-	*	
4144 AK (OM 541.993)	Diesel	11946	320	435	04.03-	*	
4144 K (OM 541.976)	Diesel	11946	320	435	04.03-	*	*
4144 K (OM 541.992)	Diesel	11946	320	435	04.03-	*	*
4144 K (OM 541.976)	Diesel	11946	320	435	04.03-	*	
4144 K (OM 541.993)	Diesel	11946	320	435	04.03-	*	
4844 K	Diesel	11946	320	435	08.09-	*	
5044 K (OM 541.946)	Diesel	11946	320	435	06.08-	*	*
5044 K (OM 541.976)	Diesel	11946	320	435	06.08-	*	*
5044 K (OM 541.992)	Diesel	11946	320	435	06.08-	*	*
1846 AK (OM 541.948)	Diesel	11946	335	456	04.03-	*	*
1846 AK (OM 541.949)	Diesel	11946	335	456	04.03-	*	*
1846 AK (OM 541.981)	Diesel	11946	335	456	04.03-	*	*
1846 AK (OM 541.995)	Diesel	11946	335	456	04.03-	*	*
1846 K (OM 541.948)	Diesel	11946	335	456	04.03-	*	*
1846 K (OM 541.980)	Diesel	11946	335	456	04.03-	*	*
1846 K (OM 541.994)	Diesel	11946	335	456	04.03-	*	*
2046 AK (OM 541.948)	Diesel	11946	335	456	04.03-	*	
2046 AK (OM 541.949)	Diesel	11946	335	456	04.03-	*	
2046 AK (OM 541.995)	Diesel	11946	335	456	04.03-	*	
2046 K (OM 541.948)	Diesel	11946	335	456	04.03-	*	*
2046 K (OM 541.980)	Diesel	11946	335	456	04.03-	*	*
2046 K (OM 541.994)	Diesel	11946	335	456	04.03-	*	*
2646 K, LK (OM 541.948)	Diesel	11946	335	456	04.03-	*	*
2646 K, LK (OM 541.980)	Diesel	11946	335	456	04.03-	*	*
2646 K, LK (OM 541.994)	Diesel	11946	335	456	04.03-	*	*
3246 K (OM 541.948)	Diesel	11946	335	456	04.03-	*	*
3246 K (OM 541.980)	Diesel	11946	335	456	04.03-	*	*
3246 K (OM 541.994)	Diesel	11946	335	456	04.03-	*	*
3346 AK (OM 541.949)	Diesel	11946	335	456	04.03-	*	

LISTA DE APLICACIONES - BUYERS GUIDE

3346 AK (OM 541.995)	Diesel	11946	335	456	04.03-	*	
3346 AKE (OM 541.949)	Diesel	11946	335	456	04.03-	*	*
3346 AKE (OM 541.995)	Diesel	11946	335	456	04.03-	*	*
3346 K (OM 541.948)	Diesel	11946	335	456	04.03-	*	*
3346 K (OM 541.980)	Diesel	11946	335	456	04.03-	*	*
3346 K (OM 541.994)	Diesel	11946	335	456	04.03-	*	*
4146 AK (OM 541.949)	Diesel	11946	335	456	04.03-	*	
4146 K (OM 541.948)	Diesel	11946	335	456	04.03-	*	*
4146 K (OM 541.980)	Diesel	11946	335	456	04.03-	*	*
4146 K (OM 541.994)	Diesel	11946	335	456	04.03-	*	*
4146 K (OM 541.949)	Diesel	11946	335	456	04.03-	*	
5046 K (OM 541.948)	Diesel	11946	335	456	06.08-	*	*
5046 K (OM 541.980)	Diesel	11946	335	456	06.08-	*	*
5046 K (OM 541.994)	Diesel	11946	335	456	06.08-	*	*
1848 AK (OM 541.948)	Diesel	11946	350	476	04.03-	*	
1848 K (OM 541.948)	Diesel	11946	350	476	04.03-	*	*
1848 K (OM 541.978)	Diesel	11946	350	476	04.03-	*	*
2048 AK (OM 541.948)	Diesel	11946	350	476	04.03-	*	
2048 K (OM 541.978)	Diesel	11946	350	476	04.03-	*	*
2648 K, LK (OM 541.948)	Diesel	11946	350	476	04.03-	*	*
2648 K, LK (OM 541.978)	Diesel	11946	350	476	04.03-	*	*
3248 K (OM 541.978)	Diesel	11946	350	476	04.03-	*	*
3348 AK (OM 541.948)	Diesel	11946	350	476	04.03-	*	
3348 AKE (OM 541.949)	Diesel	11946	350	476	04.03-	*	*
3348 K (OM 541.978)	Diesel	11946	350	476	04.03-	*	*
4148 AK (OM 541.948)	Diesel	11946	350	476	04.03-	*	*
4148 K (OM 541.948)	Diesel	11946	350	476	04.03-	*	*
4148 K (OM 541.978)	Diesel	11946	350	476	04.03-	*	*
4148 K (OM 541.949)	Diesel	11946	350	476	04.03-	*	*
4148 K (OM 541.948)	Diesel	11946	350	476	04.03-	*	*
1848 AK (OM 542.925)	Diesel	15928	350	476	04.03-	*	
1848 K (OM 542.921)	Diesel	15928	350	476	04.03-	*	*
1848 K (OM 542.940)	Diesel	15928	350	476	04.03-	*	*
2648 K, LK (OM 542.921)	Diesel	15928	350	476	04.03-	*	*
2648 K, LK (OM 542.940)	Diesel	15928	350	476	04.03-	*	*
3348 AK (OM 542.925)	Diesel	15928	350	476	04.03-	*	
3348 K (OM 542.921)	Diesel	15928	350	476	04.03-	*	*
4148 AK (OM 542.925)	Diesel	15928	350	476	04.03-	*	
4148 K (OM 542.925)	Diesel	15928	350	476	04.03-	*	
4148 K (OM 542.921)	Diesel	15928	350	476	04.03-	*	*
1850, 1851 K (OM 542.940)	Diesel	15928	370	503	04.03-	*	*
1850, 1851 K (OM 542.960)	Diesel	15928	370	503	04.03-	*	*
1850 AK, 1851 AK (OM 542.940)	Diesel	15928	370	503	04.03-	*	*
1850 AK, 1851 AK (OM 542.941)	Diesel	15928	370	503	04.03-	*	*
1850 AK, 1851 AK (OM 542.960)	Diesel	15928	370	503	04.03-	*	*
1850 AK, 1851 AK (OM 542.961)	Diesel	15928	370	503	04.03-	*	*
2650 K, 2651 K, LK (OM 542.940)	Diesel	15928	370	503	04.03-	*	*
2650 K, 2651 K, LK (OM 542.960)	Diesel	15928	370	503	04.03-	*	*
3350 K	Diesel	15928	370	503	11.02-	*	
3351 AK (OM 542.941)	Diesel	15928	370	503	04.03-	*	
3351 AK (OM 542.961)	Diesel	15928	370	503	04.03-	*	

LISTA DE APLICACIONES - BUYERS GUIDE

3351 K (OM 542.940)	Diesel	15928	370	503	04.03-	*	*
3351 K (OM 542.960)	Diesel	15928	370	503	04.03-	*	*
4150 AK (OM 542.941)	Diesel	15928	370	503	04.03-	*	
4150 K (OM 542.940)	Diesel	15928	370	503	04.03-	*	*
4150 K (OM 542.941)	Diesel	15928	370	503	04.03-	*	
4151 AK (OM 542.961)	Diesel	15928	375	510	04.03-	*	
4151 K (OM 542.960)	Diesel	15928	375	510	05.05-	*	*
4151 K (OM 542.961)	Diesel	15928	375	510	04.03-	*	
2653 K, LK (OM 542.920)	Diesel	15928	390	530	04.03-	*	*
2653 K, LK (OM 542.942)	Diesel	15928	390	530	04.03-	*	*
2654 K, LK, 2655 K, LK (OM 542.942)	Diesel	15928	395	537	04.03-	*	*
2654 K, LK, 2655 K, LK (OM 542.962)	Diesel	15928	395	537	04.03-	*	*
4154 K	Diesel	15928	395	537	11.02-	*	
3355 AK (OM 542.963)	Diesel	15928	405	551	04.03-	*	
4155 AK (OM 542.963)	Diesel	15928	405	551	04.03-	*	*
4155 K (OM 542.962)	Diesel	15928	405	551	04.03-	*	*
2658 K, LK (OM 542.944)	Diesel	15928	425	578	04.03-	*	*
4158 K	Diesel	15928	425	578	11.02-	*	
2660 LK (OM 542.964)	Diesel	15928	440	598	04.03-	*	*
3360 AK (OM 542.965)	Diesel	15928	440	598	04.03-	*	
4160 AK (OM 542.965)	Diesel	15928	440	598	04.03-	*	*
4160 K (OM 542.964)	Diesel	15928	440	598	04.03-	*	*
4165 AK (OM 542.968)	Diesel	15928	480	653	04.03-	*	*
4165 AK (OM 542.969)	Diesel	15928	480	653	04.03-	*	*
ACTROS MP2 / MP3 10.02-						Hormigonera	
2631B (OM 541.920)	Diesel	11946	230	313	04.03-	*	*
2631B (OM 541.940)	Diesel	11946	230	313	04.03-	*	*
3231 B (OM 541.920)	Diesel	11946	230	313	04.03-	*	*
3231 B (OM 541.940)	Diesel	11946	230	313	04.03-	*	*
3331 B (OM 541.920)	Diesel	11946	230	313	04.03-	*	*
3331 B (OM 541.940)	Diesel	11946	230	313	04.03-	*	*
2632 B (OM 541.940)	Diesel	11946	235	320	04.03-	*	*
2632 B (OM 541.970)	Diesel	11946	235	320	04.03-	*	*
2632 B (OM 541.996)	Diesel	11946	235	320	04.03-	*	*
3232 B (OM 541.970)	Diesel	11946	235	320	04.03-	*	*
3232 B (OM 541.996)	Diesel	11946	235	320	04.03-	*	*
3332 B (OM 541.940)	Diesel	11946	235	320	04.03-	*	*
3332 B (OM 541.970)	Diesel	11946	235	320	04.03-	*	*
3332 B (OM 541.996)	Diesel	11946	235	320	04.03-	*	*
2635 B (OM 541.922)	Diesel	11946	260	354	04.03-	*	*
2635 B (OM 541.942)	Diesel	11946	260	354	04.03-	*	*
3235 B (OM 541.922)	Diesel	11946	260	354	04.03-	*	*
3235 B (OM 541.942)	Diesel	11946	260	354	04.03-	*	*
3335 B (OM 541.922)	Diesel	11946	260	354	04.03-	*	*
3335 B (OM 541.942)	Diesel	11946	260	354	04.03-	*	*
2636 B (OM 541.942)	Diesel	11946	265	360	04.03-	*	*
2636 B (OM 541.972)	Diesel	11946	265	360	04.03-	*	*
2636 B (OM 541.998)	Diesel	11946	265	360	04.03-	*	*
3236 B (OM 541.972)	Diesel	11946	265	360	04.03-	*	*
3236 B (OM 541.998)	Diesel	11946	265	360	04.03-	*	*
3336 B (OM 541.942)	Diesel	11946	265	360	04.03-	*	*

LISTA DE APLICACIONES - BUYERS GUIDE

3336 B (OM 541.972)		Diesel		11946	265	360	04.03-	*	*
3336 B (OM 541.998)		Diesel		11946	265	360	04.03-	*	*
2640 B (OM 541.923)		Diesel		11946	290	394	04.03-	*	*
2640 B (OM 541.944)		Diesel		11946	290	394	04.03-	*	*
3240 B (OM 541.923)		Diesel		11946	290	394	04.03-	*	*
3240 B (OM 541.944)		Diesel		11946	290	394	04.03-	*	*
3339 B (OM 541.923)		Diesel		11946	290	394	04.03-	*	*
3339 B (OM 541.944)		Diesel		11946	290	394	04.03-	*	*
3340 B		Diesel		11946	290	394	11.02-	*	
4140 B (OM 541.923)		Diesel		11946	290	394	04.03-	*	*
4140 B (OM 541.944)		Diesel		11946	290	394	04.03-	*	*
2641 B (OM 541.944)		Diesel		11946	300	408	04.03-	*	*
2641 B (OM 541.974)		Diesel		11946	300	408	04.03-	*	*
2641 B (OM 541.990)		Diesel		11946	300	408	04.03-	*	*
3241 B (OM 541.974)		Diesel		11946	300	408	04.03-	*	*
3241 B (OM 541.990)		Diesel		11946	300	408	04.03-	*	*
3341 B (OM 541.944)		Diesel		11946	300	408	04.03-	*	*
3341 B (OM 541.974)		Diesel		11946	300	408	04.03-	*	*
3341 B (OM 541.990)		Diesel		11946	300	408	04.03-	*	*
4141 B (OM 541.974)		Diesel		11946	300	408	04.03-	*	*
4141 B (OM 541.990)		Diesel		11946	300	408	04.03-	*	*
5041 B (OM 541.923)		Diesel		11946	300	408	06.08-	*	*
5041 B (OM 541.944)		Diesel		11946	300	408	06.08-	*	*
5041 B (OM 541.974)		Diesel		11946	300	408	06.08-	*	*
5041 B (OM 541.990)		Diesel		11946	300	408	06.08-	*	*
2643 B (OM 541.925)		Diesel		11946	315	428	04.03-	*	*
2643 B (OM 541.946)		Diesel		11946	315	428	04.03-	*	*
3243 B (OM 541.925)		Diesel		11946	315	428	04.03-	*	*
3243 B (OM 541.946)		Diesel		11946	315	428	04.03-	*	*
3343 B (OM 541.925)		Diesel		11946	315	428	04.03-	*	*
3343 B (OM 541.946)		Diesel		11946	315	428	04.03-	*	*
4143 B (OM 541.925)		Diesel		11946	315	428	04.03-	*	*
4143 B (OM 541.946)		Diesel		11946	315	428	04.03-	*	*
2644 B (OM 541.946)		Diesel		11946	320	435	04.03-	*	*
2644 B (OM 541.976)		Diesel		11946	320	435	04.03-	*	*
2644 B (OM 541.992)		Diesel		11946	320	435	04.03-	*	*
3244 B (OM 541.976)		Diesel		11946	320	435	04.03-	*	*
3244 B (OM 541.992)		Diesel		11946	320	435	04.03-	*	*
3344 B (OM 541.976)		Diesel		11946	320	435	04.03-	*	*
3344 B (OM 541.992)		Diesel		11946	320	435	04.03-	*	*
4144 B (OM 541.946)		Diesel		11946	320	435	04.03-	*	*
4144 B (OM 541.976)		Diesel		11946	320	435	04.03-	*	*
4144 B (OM 541.992)		Diesel		11946	320	435	04.03-	*	*
5044 B (OM 541.946)		Diesel		11946	320	435	06.08-	*	*
5044 B (OM 541.976)		Diesel		11946	320	435	06.08-	*	*
5044 B (OM 541.992)		Diesel		11946	320	435	06.08-	*	*
2646 B (OM 541.948)		Diesel		11946	335	456	04.03-	*	*
2646 B (OM 541.980)		Diesel		11946	335	456	04.03-	*	*
2646 B (OM 541.994)		Diesel		11946	335	456	04.03-	*	*
3246 B (OM 541.948)		Diesel		11946	335	456	04.03-	*	*
3246 B (OM 541.980)		Diesel		11946	335	456	04.03-	*	*

LISTA DE APLICACIONES - BUYERS GUIDE

3246 B (OM 541.994)		Diesel		11946	335	456	04.03-	*	*
3346 B (OM 541.948)		Diesel		11946	335	456	04.03-	*	*
3346 B (OM 541.980)		Diesel		11946	335	456	04.03-	*	*
3346 B (OM 541.994)		Diesel		11946	335	456	04.03-	*	*
4146 B (OM 541.948)		Diesel		11946	335	456	04.03-	*	*
4146 B (OM 541.980)		Diesel		11946	335	456	04.03-	*	*
4146 B (OM 541.994)		Diesel		11946	335	456	04.03-	*	*
5046 B (OM 541.948)		Diesel		11946	335	456	06.08-	*	*
5046 B (OM 541.980)		Diesel		11946	335	456	06.08-	*	*
5046 B (OM 541.994)		Diesel		11946	335	456	06.08-	*	*
2648 B (OM 541.948)		Diesel		11946	350	476	04.03-	*	*
2648 B (OM 541.978)		Diesel		11946	350	476	04.03-	*	*
3248 B (OM 541.978)		Diesel		11946	350	476	04.03-	*	*
3348 B (OM 541.948)		Diesel		11946	350	476	04.03-	*	*
3348 B (OM 541.978)		Diesel		11946	350	476	04.03-	*	*
4148 B (OM 541.978)		Diesel		11946	350	476	04.03-	*	*
ACTROS MP4 / MP5 07.11-				Cabeza tractora					
1824 LS		Diesel		7698	175	238	05.13-	*	
2024 LS		Diesel		7698	175	238	05.13-	*	
2424 LS		Diesel		7698	175	238	07.11-	*	
2524 LS		Diesel		7698	175	238	07.11-	*	
2524 LS		Diesel		7698	175	238	07.11-	*	
2524 LS		Diesel		7698	175	238	05.13-	*	
2524 LS		Diesel		7698	175	238	05.13-	*	
2624 LS		Diesel		7698	175	238	07.11-	*	
2624 LS		Diesel		7698	175	238	07.11-	*	
2624 LS		Diesel		7698	175	238	05.13-	*	
1827 LS		Diesel		7698	200	272	05.13-	*	
2027 LS		Diesel		7698	200	272	05.13-	*	
2527 LS		Diesel		7698	200	272	07.11-	*	
2527 LS		Diesel		7698	200	272	05.13-	*	
2527 LS		Diesel		7698	200	272	05.13-	*	
2627 LS		Diesel		7698	200	272	05.13-	*	
1830 LS		Diesel		7698	220	299	05.13-	*	
2030 LS		Diesel		7698	220	299	05.13-	*	
2530 LS		Diesel		7698	220	299	07.11-	*	
2530 LS		Diesel		7698	220	299	05.13-	*	
2530 LS		Diesel		7698	220	299	05.13-	*	
2630 LS		Diesel		7698	220	299	05.13-	*	
1832 LS		Diesel		7698	235	320	05.13-	*	
2032 LS		Diesel		7698	235	320	05.13-	*	
2532 LS		Diesel		7698	235	320	07.11-	*	
2532 LS		Diesel		7698	235	320	05.13-	*	
2532 LS		Diesel		7698	235	320	05.13-	*	
2632 LS		Diesel		7698	235	320	05.13-	*	
1835 LS		Diesel		7698	260	354	05.13-	*	
2035 LS		Diesel		7698	260	354	05.13-	*	
2535 LS		Diesel		7698	260	354	07.11-	*	
2535 LS		Diesel		7698	260	354	05.13-	*	
2535 LS		Diesel		7698	260	354	05.13-	*	
2635 LS		Diesel		7698	260	354	05.13-	*	

LISTA DE APLICACIONES - BUYERS GUIDE

1833 LS		Diesel		10677	240	326	05.13-	*
2033LS		Diesel		10677	240	326	05.13-	*
2533 LS		Diesel		10677	240	326	07.11-	*
2533 LS		Diesel		10677	240	326	05.13-	*
2533 LS		Diesel		10677	240	326	05.13-	*
2633 LS		Diesel		10677	240	326	05.13-	*
3333 LS		Diesel		10677	240	326	05.13-	*
1836 LS		Diesel		10677	265	360	05.13-	*
2036LS		Diesel		10677	265	360	05.13-	*
2536 LS		Diesel		10677	265	360	07.11-	*
2536 LS		Diesel		10677	265	360	05.13-	*
2536 LS		Diesel		10677	265	360	05.13-	*
2636 LS		Diesel		10677	265	360	05.13-	*
3336 LS		Diesel		10677	265	360	05.13-	*
1840LS		Diesel		10677	290	394	05.13-	*
2040 LS		Diesel		10677	290	394	05.13-	*
2540 LS		Diesel		10677	290	394	07.11-	*
2540 LS		Diesel		10677	290	394	05.13-	*
2540 LS		Diesel		10677	290	394	05.13-	*
2640 LS		Diesel		10677	290	394	05.13-	*
3340 LS		Diesel		10677	290	394	05.13-	*
1843 LS		Diesel		10677	315	428	05.13-	*
2043 LS		Diesel		10677	315	428	05.13-	*
2543 LS		Diesel		10677	315	428	07.11-	*
2543 LS		Diesel		10677	315	428	05.13-	*
2543 LS		Diesel		10677	315	428	05.13-	*
2643 LS		Diesel		10677	315	428	05.13-	*
3343 LS		Diesel		10677	315	428	05.13-	*
1846 LS		Diesel		10677	335	455	07.15-	*
1846 LS		Diesel		10677	335	455	07.15-	*
2046 LS		Diesel		10677	335	455	07.15-	*
2046 LS		Diesel		10677	335	455	07.15-	*
2446 LS		Diesel		10677	335	455	07.15-	*
2546 LS		Diesel		10677	335	455	07.15-	*
2546 LS		Diesel		10677	335	455	07.15-	*
2546 LS		Diesel		10677	335	455	07.15-	*
2546 LS		Diesel		10677	335	455	07.15-	*
2646 LS		Diesel		10677	335	455	07.15-	*
2646 LS		Diesel		10677	335	455	07.15-	*
2646 LS		Diesel		10677	335	455	07.15-	*
3346 LS		Diesel		10677	335	455	07.15-	*
3346 LS		Diesel		10677	335	455	07.15-	*
1842 LS		Diesel		12809	310	421	05.13-	*
2042 LS		Diesel		12809	310	421	05.13-	*
2542 LS		Diesel		12809	310	421	07.11-	*
2542 LS		Diesel		12809	310	421	05.13-	*
2542 LS		Diesel		12809	310	421	05.13-	*
2642 LS		Diesel		12809	310	421	05.13-	*
3342 LS		Diesel		12809	310	421	05.13-	*
1845 LS		Diesel		12809	330	449	05.13-	*
2045 LS		Diesel		12809	330	449	05.13-	*

LISTA DE APLICACIONES - BUYERS GUIDE

2545 LS		Diesel		12809	330	449	07.11-	*
2545 LS		Diesel		12809	330	449	05.13-	*
2545 LS		Diesel		12809	330	449	05.13-	*
2645 LS		Diesel		12809	330	449	05.13-	*
3345 LS		Diesel		12809	330	449	05.13-	*
1848 LS		Diesel		12809	350	476	05.13-	*
2048 LS		Diesel		12809	350	476	05.13-	*
2548 LS		Diesel		12809	350	476	07.11-	*
2548 LS		Diesel		12809	350	476	05.13-	*
2548 LS		Diesel		12809	350	476	05.13-	*
2648 LS		Diesel		12809	350	476	05.13-	*
3348 LS		Diesel		12809	350	476	05.13-	*
1851 LS		Diesel		12809	375	510	05.13-	*
2051 LS		Diesel		12809	375	510	05.13-	*
2551 LS		Diesel		12809	375	510	07.11-	*
2551 LS		Diesel		12809	375	510	05.13-	*
2551 LS		Diesel		12809	375	510	05.13-	*
2651 LS		Diesel		12809	375	510	05.13-	*
3351 LS		Diesel		12809	375	510	05.13-	*
1853 LS		Diesel		12809	390	530	07.15-	*
1853 LS		Diesel		12809	390	530	07.15-	*
2053 LS		Diesel		12809	390	530	07.15-	*
2053 LS		Diesel		12809	390	530	07.15-	*
2453 LS		Diesel		12809	390	530	07.15-	*
2553 LS		Diesel		12809	390	530	07.15-	*
2553 LS		Diesel		12809	390	530	07.15-	*
2553 LS		Diesel		12809	390	530	07.15-	*
2553 LS		Diesel		12809	390	530	07.15-	*
2653 LS		Diesel		12809	390	530	07.15-	*
2653 LS		Diesel		12809	390	530	07.15-	*
2653 LS		Diesel		12809	390	530	07.15-	*
3353 LS		Diesel		12809	390	530	07.15-	*
3353 LS		Diesel		12809	390	530	07.15-	*
1852 LS		Diesel		15569	380	517	05.13-	*
2052 LS		Diesel		15569	380	517	07.11-	*
2052 LS		Diesel		15569	380	517	05.13-	*
2452 LS		Diesel		15569	380	517	07.11-	*
2552 LS		Diesel		15569	380	517	07.11-	*
2552 LS		Diesel		15569	380	517	07.11-	*
2552 LS		Diesel		15569	380	517	05.13-	*
2552 LS		Diesel		15569	380	517	05.13-	*
2652 LS		Diesel		15569	380	517	07.11-	*
2652 LS		Diesel		15569	380	517	07.11-	*
2652 LS		Diesel		15569	380	517	05.13-	*
3352 LS		Diesel		15569	380	517	07.11-	*
3352 LS		Diesel		15569	380	517	05.13-	*
3352 SLT		Diesel		15569	380	517	12.13-	*
1858 LS		Diesel		15569	425	578	05.13-	*
2058 LS		Diesel		15569	425	578	07.11-	*
2058 LS		Diesel		15569	425	578	05.13-	*
2458 LS		Diesel		15569	425	578	07.11-	*

LISTA DE APLICACIONES - BUYERS GUIDE

2558 LS		Diesel		15569	425	578	07.11-	*
2558 LS		Diesel		15569	425	578	07.11-	*
2558 LS		Diesel		15569	425	578	05.13-	*
2558 LS		Diesel		15569	425	578	05.13-	*
2658 LS		Diesel		15569	425	578	07.11-	*
2658 LS		Diesel		15569	425	578	07.11-	*
2658 LS		Diesel		15569	425	578	05.13-	*
3358 LS		Diesel		15569	425	578	07.11-	*
3358 LS		Diesel		15569	425	578	05.13-	*
3358 SLT		Diesel		15569	425	578	12.13-	*
4158 SLT		Diesel		15569	425	578	12.13-	*
1863 LS		Diesel		15569	460	625	05.13-	*
2063 LS		Diesel		15569	460	625	07.11-	*
2063 LS		Diesel		15569	460	625	05.13-	*
2463 LS		Diesel		15569	460	625	07.11-	*
2563 LS		Diesel		15569	460	625	07.11-	*
2563 LS		Diesel		15569	460	625	07.11-	*
2563 LS		Diesel		15569	460	625	05.13-	*
2563 LS		Diesel		15569	460	625	05.13-	*
2663 LS		Diesel		15569	460	625	07.11-	*
2663 LS		Diesel		15569	460	625	07.11-	*
2663 LS		Diesel		15569	460	625	05.13-	*
3363 LS		Diesel		15569	460	625	07.11-	*
3363 LS		Diesel		15569	460	625	05.13-	*
3363 SLT		Diesel		15569	460	625	12.13-	*
4163 SLT		Diesel		15569	460	625	12.13-	*
ACTROS MP4 / MP5 07.11-					Caja/Chasis			
1824 L		Diesel		7698	175	238	05.13-	*
2024 L		Diesel		7698	175	238	05.13-	*
2524 L		Diesel		7698	175	238	07.11-	*
2524 L		Diesel		7698	175	238	07.11-	*
2524 L		Diesel		7698	175	238	05.13-	*
2524 L		Diesel		7698	175	238	05.13-	*
2624 L		Diesel		7698	175	238	07.11-	*
2624 L		Diesel		7698	175	238	07.11-	*
2624 L		Diesel		7698	175	238	05.13-	*
1827 L		Diesel		7698	200	272	05.13-	*
2027 L		Diesel		7698	200	272	05.13-	*
2527 L		Diesel		7698	200	272	07.11-	*
2527 L		Diesel		7698	200	272	05.13-	*
2527 L		Diesel		7698	200	272	05.13-	*
2627 L		Diesel		7698	200	272	05.13-	*
1830 L		Diesel		7698	220	299	05.13-	*
2030 L		Diesel		7698	220	299	05.13-	*
2530 L		Diesel		7698	220	299	07.11-	*
2530 L		Diesel		7698	220	299	05.13-	*
2530 L		Diesel		7698	220	299	05.13-	*
2630 L		Diesel		7698	220	299	05.13-	*
1832 L		Diesel		7698	235	320	05.13-	*
2032 L		Diesel		7698	235	320	05.13-	*
2532 L		Diesel		7698	235	320	07.11-	*

LISTA DE APLICACIONES - BUYERS GUIDE

2532 L		Diesel		7698	235	320	05.13-	*
2532 L		Diesel		7698	235	320	05.13-	*
2632 L		Diesel		7698	235	320	05.13-	*
3232 L		Diesel		7698	235	320	07.11-	*
1835 L		Diesel		7698	260	354	05.13-	*
2035 L		Diesel		7698	260	354	05.13-	*
2535 L		Diesel		7698	260	354	07.11-	*
2535 L		Diesel		7698	260	354	05.13-	*
2535 L		Diesel		7698	260	354	05.13-	*
2635 L		Diesel		7698	260	354	05.13-	*
3235 L		Diesel		7698	260	354	07.11-	*
1833 L		Diesel		10677	240	326	05.13-	*
2033 L		Diesel		10677	240	326	05.13-	*
2533 L		Diesel		10677	240	326	07.11-	*
2533 L		Diesel		10677	240	326	05.13-	*
2533 L		Diesel		10677	240	326	05.13-	*
2633 L		Diesel		10677	240	326	05.13-	*
3232 L		Diesel		10677	240	326	07.11-	*
3333 L		Diesel		10677	240	326	05.13-	*
1836 L		Diesel		10677	265	360	05.13-	*
2036 L		Diesel		10677	265	360	05.13-	*
2536 L		Diesel		10677	265	360	07.11-	*
2536 L		Diesel		10677	265	360	05.13-	*
2536 L		Diesel		10677	265	360	05.13-	*
2636 L		Diesel		10677	265	360	05.13-	*
3236 L		Diesel		10677	265	360	07.11-	*
3336 L		Diesel		10677	265	360	05.13-	*
1840 L		Diesel		10677	290	394	05.13-	*
2040 L		Diesel		10677	290	394	05.13-	*
2540 L		Diesel		10677	290	394	07.11-	*
2540 L		Diesel		10677	290	394	05.13-	*
2540 L		Diesel		10677	290	394	05.13-	*
2640 L		Diesel		10677	290	394	05.13-	*
3240 L		Diesel		10677	290	394	07.11-	*
3340 L		Diesel		10677	290	394	05.13-	*
1843 L		Diesel		10677	315	428	05.13-	*
2043 L		Diesel		10677	315	428	05.13-	*
2543 L		Diesel		10677	315	428	07.11-	*
2543 L		Diesel		10677	315	428	05.13-	*
2543 L		Diesel		10677	315	428	05.13-	*
2643 L		Diesel		10677	315	428	05.13-	*
3243 L		Diesel		10677	315	428	07.11-	*
3343 L		Diesel		10677	315	428	05.13-	*
1846 L		Diesel		10677	335	455	07.15-	*
1846 L		Diesel		10677	335	455	07.15-	*
2046 L		Diesel		10677	335	455	07.15-	*
2046 L		Diesel		10677	335	455	07.15-	*
2546 L		Diesel		10677	335	455	07.15-	*
2546 L		Diesel		10677	335	455	07.15-	*
2546 L		Diesel		10677	335	455	07.15-	*
2546 L		Diesel		10677	335	455	07.15-	*

LISTA DE APLICACIONES - BUYERS GUIDE

2646 L		Diesel		10677	335	455	07.15-	*
2646 L		Diesel		10677	335	455	07.15-	*
2646 L		Diesel		10677	335	455	07.15-	*
3246 L		Diesel		10677	335	455	07.15-	*
3346 L		Diesel		10677	335	455	07.15-	*
3346 L		Diesel		10677	335	455	07.15-	*
1842 L		Diesel		12809	310	421	05.13-	*
2042 L		Diesel		12809	310	421	05.13-	*
2542 L		Diesel		12809	310	421	07.11-	*
2542 L		Diesel		12809	310	421	05.13-	*
2542 L		Diesel		12809	310	421	05.13-	*
2642 L		Diesel		12809	310	421	05.13-	*
3242 L		Diesel		12809	310	421	07.11-	*
3342 L		Diesel		12809	310	421	05.13-	*
1845 L		Diesel		12809	330	449	05.13-	*
2045 L		Diesel		12809	330	449	05.13-	*
2545 L		Diesel		12809	330	449	07.11-	*
2545 L		Diesel		12809	330	449	05.13-	*
2545 L		Diesel		12809	330	449	05.13-	*
2645 L		Diesel		12809	330	449	05.13-	*
3245 L		Diesel		12809	330	449	07.11-	*
3345 L		Diesel		12809	330	449	05.13-	*
1848 L		Diesel		12809	350	476	05.13-	*
2048 L		Diesel		12809	350	476	05.13-	*
2548 L		Diesel		12809	350	476	07.11-	*
2548 L		Diesel		12809	350	476	05.13-	*
2548 L		Diesel		12809	350	476	05.13-	*
2648 L		Diesel		12809	350	476	05.13-	*
3248 L		Diesel		12809	350	476	07.11-	*
3348 L		Diesel		12809	350	476	05.13-	*
1851 L		Diesel		12809	375	510	05.13-	*
2051 L		Diesel		12809	375	510	05.13-	*
2551 L		Diesel		12809	375	510	07.11-	*
2551 L		Diesel		12809	375	510	05.13-	*
2551 L		Diesel		12809	375	510	05.13-	*
2651 L		Diesel		12809	375	510	05.13-	*
3251 L		Diesel		12809	375	510	07.11-	*
3351 L		Diesel		12809	375	510	05.13-	*
1853 L		Diesel		12809	390	530	07.15-	*
1853 L		Diesel		12809	390	530	07.15-	*
2053 L		Diesel		12809	390	530	07.15-	*
2053 L		Diesel		12809	390	530	07.15-	*
2553 L		Diesel		12809	390	530	07.15-	*
2553 L		Diesel		12809	390	530	07.15-	*
2553 L		Diesel		12809	390	530	07.15-	*
2553 L		Diesel		12809	390	530	07.15-	*
2653 L		Diesel		12809	390	530	07.15-	*
2653 L		Diesel		12809	390	530	07.15-	*
2653 L		Diesel		12809	390	530	07.15-	*
3253 L		Diesel		12809	390	530	07.15-	*
3353 L		Diesel		12809	390	530	07.15-	*

LISTA DE APLICACIONES - BUYERS GUIDE

3353 L		Diesel		12809	390	530	07.15-	*
1852 L		Diesel		15569	380	517	05.13-	*
2052 L		Diesel		15569	380	517	07.11-	*
2052 L		Diesel		15569	380	517	05.13-	*
2552 L		Diesel		15569	380	517	07.11-	*
2552 L		Diesel		15569	380	517	07.11-	*
2552 L		Diesel		15569	380	517	05.13-	*
2552 L		Diesel		15569	380	517	05.13-	*
2652 L		Diesel		15569	380	517	07.11-	*
2652 L		Diesel		15569	380	517	07.11-	*
2652 L		Diesel		15569	380	517	05.13-	*
3352 L		Diesel		15569	380	517	07.11-	*
3352 L		Diesel		15569	380	517	05.13-	*
1858 L		Diesel		15569	425	578	05.13-	*
2058 L		Diesel		15569	425	578	07.11-	*
2058 L		Diesel		15569	425	578	05.13-	*
2558 L		Diesel		15569	425	578	07.11-	*
2558 L		Diesel		15569	425	578	07.11-	*
2558 L		Diesel		15569	425	578	05.13-	*
2558 L		Diesel		15569	425	578	05.13-	*
2658 L		Diesel		15569	425	578	07.11-	*
2658 L		Diesel		15569	425	578	07.11-	*
2658 L		Diesel		15569	425	578	05.13-	*
3358 L		Diesel		15569	425	578	07.11-	*
3358 L		Diesel		15569	425	578	05.13-	*
1863 L		Diesel		15569	460	625	05.13-	*
2063 L		Diesel		15569	460	625	07.11-	*
2063 L		Diesel		15569	460	625	05.13-	*
2563 L		Diesel		15569	460	625	07.11-	*
2563 L		Diesel		15569	460	625	07.11-	*
2563 L		Diesel		15569	460	625	05.13-	*
2563 L		Diesel		15569	460	625	05.13-	*
2663 L		Diesel		15569	460	625	07.11-	*
2663 L		Diesel		15569	460	625	07.11-	*
2663 L		Diesel		15569	460	625	05.13-	*
3363 L		Diesel		15569	460	625	07.11-	*
3363 L		Diesel		15569	460	625	05.13-	*
ACTROS MP4 / MP5 07.11-					Caja/Chasis			
1830 L CNG		Gasolina		7698	222	302	01.19-	*
1830 L CNG		Gasolina		7698	222	302	01.19-	*
2530 L CNG		Gasolina		7698	222	302	01.19-	*
2530 L CNG		Gasolina		7698	222	302	01.19-	*
2530 L CNG		Gasolina		7698	222	302	01.19-	*
2530 L CNG		Gasolina		7698	222	302	01.19-	*
ACTROS MP4 / MP5 07.11-					Caja/Chasis			
eActros 400		Mixto		0	400	544	10.21-	* *
ANTOS 07.12-					Cabeza tractora			
1824 LS		Diesel		7698	175	238	05.13-12.18	* *
2024 LS		Diesel		7698	175	238	05.13-12.18	* *
2424 LS		Diesel		7698	175	238	09.12-12.18	* *

LISTA DE APLICACIONES - BUYERS GUIDE

2524 LS		Diesel		7698	175	238	09.12-12.18	*	*
2524 LS		Diesel		7698	175	238	09.12-12.18	*	*
2524 LS		Diesel		7698	175	238	05.13-12.18	*	*
2524 LS		Diesel		7698	175	238	05.13-12.18	*	*
2624 LS		Diesel		7698	175	238	09.12-12.18	*	*
2624 LS		Diesel		7698	175	238	09.12-12.18	*	*
2624 LS		Diesel		7698	175	238	05.13-12.18	*	*
1827 LS		Diesel		7698	200	272	05.13-12.18	*	*
2027 LS		Diesel		7698	200	272	05.13-12.18	*	*
2527 LS		Diesel		7698	200	272	09.12-12.18	*	*
2527 LS		Diesel		7698	200	272	05.13-12.18	*	*
2527 LS		Diesel		7698	200	272	05.13-12.18	*	*
2627 LS		Diesel		7698	200	272	05.13-12.18	*	*
1830 LS		Diesel		7698	220	299	05.13-12.18	*	*
2030 LS		Diesel		7698	220	299	05.13-12.18	*	*
2530 LS		Diesel		7698	220	299	09.12-12.18	*	*
2530 LS		Diesel		7698	220	299	05.13-12.18	*	*
2530 LS		Diesel		7698	220	299	05.13-12.18	*	*
2630 LS		Diesel		7698	220	299	05.13-12.18	*	*
1832 LS		Diesel		7698	235	320	05.13-12.18	*	*
2032 LS		Diesel		7698	235	320	05.13-12.18	*	*
2532 LS		Diesel		7698	235	320	09.12-12.18	*	*
2532 LS		Diesel		7698	235	320	05.13-12.18	*	*
2532 LS		Diesel		7698	235	320	05.13-12.18	*	*
2632 LS		Diesel		7698	235	320	05.13-12.18	*	*
1835 LS		Diesel		7698	260	354	05.13-12.18	*	*
2035 LS		Diesel		7698	260	354	05.13-12.18	*	*
2535 LS		Diesel		7698	260	354	09.12-12.18	*	*
2535 LS		Diesel		7698	260	354	05.13-12.18	*	*
2535 LS		Diesel		7698	260	354	05.13-12.18	*	*
2635 LS		Diesel		7698	260	354	05.13-12.18	*	*
1833 LS		Diesel		10677	240	326	05.13-12.18	*	*
2033LS		Diesel		10677	240	326	05.13-12.18	*	*
2533 LS		Diesel		10677	240	326	09.12-12.18	*	*
2533 LS		Diesel		10677	240	326	05.13-12.18	*	*
2533 LS		Diesel		10677	240	326	05.13-12.18	*	*
2633 LS		Diesel		10677	240	326	05.13-12.18	*	*
3333 LS		Diesel		10677	240	326	05.13-12.18	*	*
1836 LS		Diesel		10677	265	360	05.13-12.18	*	*
2036LS		Diesel		10677	265	360	05.13-12.18	*	*
2536 LS		Diesel		10677	265	360	09.12-12.18	*	*
2536 LS		Diesel		10677	265	360	05.13-12.18	*	*
2536 LS		Diesel		10677	265	360	05.13-12.18	*	*
2636 LS		Diesel		10677	265	360	05.13-12.18	*	*
3336 LS		Diesel		10677	265	360	05.13-12.18	*	*
1840LS		Diesel		10677	290	394	05.13-12.18	*	*
2040 LS		Diesel		10677	290	394	05.13-12.18	*	*
2540 LS		Diesel		10677	290	394	09.12-12.18	*	*
2540 LS		Diesel		10677	290	394	05.13-12.18	*	*
2540 LS		Diesel		10677	290	394	05.13-12.18	*	*
2640 LS		Diesel		10677	290	394	05.13-12.18	*	*

LISTA DE APLICACIONES - BUYERS GUIDE

3340 LS		Diesel		10677	290	394	05.13-12.18	*	*
1843 LS		Diesel		10677	315	428	05.13-12.18	*	*
2043 LS		Diesel		10677	315	428	05.13-12.18	*	*
2543 LS		Diesel		10677	315	428	09.12-12.18	*	*
2543 LS		Diesel		10677	315	428	05.13-12.18	*	*
2543 LS		Diesel		10677	315	428	05.13-12.18	*	*
2643 LS		Diesel		10677	315	428	05.13-12.18	*	*
3343 LS		Diesel		10677	315	428	05.13-12.18	*	*
1846 LS		Diesel		10677	335	455	07.15-12.18	*	*
1846 LS		Diesel		10677	335	455	07.15-12.18	*	*
2046 LS		Diesel		10677	335	455	07.15-12.18	*	*
2046 LS		Diesel		10677	335	455	07.15-12.18	*	*
2446 LS		Diesel		10677	335	455	07.15-12.18	*	*
2546 LS		Diesel		10677	335	455	07.15-12.18	*	*
2546 LS		Diesel		10677	335	455	07.15-12.18	*	*
2546 LS		Diesel		10677	335	455	07.15-12.18	*	*
2546 LS		Diesel		10677	335	455	07.15-12.18	*	*
2646 LS		Diesel		10677	335	455	07.15-12.18	*	*
2646 LS		Diesel		10677	335	455	07.15-12.18	*	*
2646 LS		Diesel		10677	335	455	07.15-12.18	*	*
3346 LS		Diesel		10677	335	455	07.15-12.18	*	*
3346 LS		Diesel		10677	335	455	07.15-12.18	*	*
1842 LS		Diesel		12809	310	421	05.13-12.18	*	*
2042 LS		Diesel		12809	310	421	05.13-12.18	*	*
2542 LS		Diesel		12809	310	421	09.12-12.18	*	*
2542 LS		Diesel		12809	310	421	05.13-12.18	*	*
2542 LS		Diesel		12809	310	421	05.13-12.18	*	*
2642 LS		Diesel		12809	310	421	05.13-12.18	*	*
3342 LS		Diesel		12809	310	421	05.13-12.18	*	*
1845 LS		Diesel		12809	330	449	05.13-12.18	*	*
2045 LS		Diesel		12809	330	449	05.13-12.18	*	*
2545 LS		Diesel		12809	330	449	09.12-12.18	*	*
2545 LS		Diesel		12809	330	449	05.13-12.18	*	*
2545 LS		Diesel		12809	330	449	05.13-12.18	*	*
2645 LS		Diesel		12809	330	449	05.13-12.18	*	*
3345 LS		Diesel		12809	330	449	05.13-12.18	*	*
1848 LS		Diesel		12809	350	476	05.13-12.18	*	*
2048 LS		Diesel		12809	350	476	05.13-12.18	*	*
2548 LS		Diesel		12809	350	476	09.12-12.18	*	*
2548 LS		Diesel		12809	350	476	05.13-12.18	*	*
2548 LS		Diesel		12809	350	476	05.13-12.18	*	*
2648 LS		Diesel		12809	350	476	05.13-12.18	*	*
3348 LS		Diesel		12809	350	476	05.13-12.18	*	*
1851 LS		Diesel		12809	375	510	05.13-12.18	*	*
2051 LS		Diesel		12809	375	510	05.13-12.18	*	*
2551 LS		Diesel		12809	375	510	09.12-12.18	*	*
2551 LS		Diesel		12809	375	510	05.13-12.18	*	*
2551 LS		Diesel		12809	375	510	05.13-12.18	*	*
2651 LS		Diesel		12809	375	510	05.13-12.18	*	*
3351 LS		Diesel		12809	375	510	05.13-12.18	*	*
1853 LS		Diesel		12809	390	530	07.15-12.18	*	*

LISTA DE APLICACIONES - BUYERS GUIDE

1853 LS		Diesel		12809	390	530	07.15-12.18	*	*
2053 LS		Diesel		12809	390	530	07.15-12.18	*	*
2053 LS		Diesel		12809	390	530	07.15-12.18	*	*
2453 LS		Diesel		12809	390	530	07.15-12.18	*	*
2553 LS		Diesel		12809	390	530	07.15-12.18	*	*
2553 LS		Diesel		12809	390	530	07.15-12.18	*	*
2553 LS		Diesel		12809	390	530	07.15-12.18	*	*
2553 LS		Diesel		12809	390	530	07.15-12.18	*	*
2653 LS		Diesel		12809	390	530	07.15-12.18	*	*
2653 LS		Diesel		12809	390	530	07.15-12.18	*	*
2653 LS		Diesel		12809	390	530	07.15-12.18	*	*
3353 LS		Diesel		12809	390	530	07.15-12.18	*	*
3353 LS		Diesel		12809	390	530	07.15-12.18	*	*
1852 LS		Diesel		15569	380	517	09.12-12.18	*	*
1852 LS		Diesel		15569	380	517	05.13-12.18	*	*
2052 LS		Diesel		15569	380	517	09.12-12.18	*	*
2052 LS		Diesel		15569	380	517	05.13-12.18	*	*
2452 LS		Diesel		15569	380	517	09.12-12.18	*	*
2552 LS		Diesel		15569	380	517	09.12-12.18	*	*
2552 LS		Diesel		15569	380	517	09.12-12.18	*	*
2552 LS		Diesel		15569	380	517	05.13-12.18	*	*
2552 LS		Diesel		15569	380	517	05.13-12.18	*	*
2652 LS		Diesel		15569	380	517	09.12-12.18	*	*
2652 LS		Diesel		15569	380	517	09.12-12.18	*	*
2652 LS		Diesel		15569	380	517	05.13-12.18	*	*
3352 LS		Diesel		15569	380	517	09.12-12.18	*	*
3352 LS		Diesel		15569	380	517	05.13-12.18	*	*
1858 LS		Diesel		15569	425	578	09.12-12.18	*	*
1858 LS		Diesel		15569	425	578	05.13-12.18	*	*
2058 LS		Diesel		15569	425	578	09.12-12.18	*	*
2058 LS		Diesel		15569	425	578	05.13-12.18	*	*
2458 LS		Diesel		15569	425	578	09.12-12.18	*	*
2558 LS		Diesel		15569	425	578	09.12-12.18	*	*
2558 LS		Diesel		15569	425	578	09.12-12.18	*	*
2558 LS		Diesel		15569	425	578	05.13-12.18	*	*
2558 LS		Diesel		15569	425	578	05.13-12.18	*	*
2658 LS		Diesel		15569	425	578	09.12-12.18	*	*
2658 LS		Diesel		15569	425	578	09.12-12.18	*	*
2658 LS		Diesel		15569	425	578	05.13-12.18	*	*
3358 LS		Diesel		15569	425	578	09.12-12.18	*	*
3358 LS		Diesel		15569	425	578	05.13-12.18	*	*
1863 LS		Diesel		15569	460	625	09.12-12.18	*	*
1863 LS		Diesel		15569	460	625	05.13-12.18	*	*
2063 LS		Diesel		15569	460	625	09.12-12.18	*	*
2063 LS		Diesel		15569	460	625	05.13-12.18	*	*
2463 LS		Diesel		15569	460	625	09.12-12.18	*	*
2563 LS		Diesel		15569	460	625	09.12-12.18	*	*
2563 LS		Diesel		15569	460	625	09.12-12.18	*	*
2563 LS		Diesel		15569	460	625	05.13-12.18	*	*
2563 LS		Diesel		15569	460	625	05.13-12.18	*	*
2663 LS		Diesel		15569	460	625	09.12-12.18	*	*

LISTA DE APLICACIONES - BUYERS GUIDE

2663 LS		Diesel		15569	460	625	09.12-12.18	*	*	
2663 LS		Diesel		15569	460	625	05.13-12.18	*	*	
3363 LS		Diesel		15569	460	625	09.12-12.18	*	*	
3363 LS		Diesel		15569	460	625	05.13-12.18	*	*	
ANTOS 07.12-							Caja/Chasis			
1824 L		Diesel		7698	175	238	05.13-12.18	*	*	
2024 L		Diesel		7698	175	238	05.13-12.18	*	*	
2524 L		Diesel		7698	175	238	09.12-12.18	*	*	
2524 L		Diesel		7698	175	238	09.12-12.18	*	*	
2524 L		Diesel		7698	175	238	05.13-12.18	*	*	
2524 L		Diesel		7698	175	238	05.13-12.18	*	*	
2624 L		Diesel		7698	175	238	09.12-12.18	*	*	
2624 L		Diesel		7698	175	238	09.12-12.18	*	*	
2624 L		Diesel		7698	175	238	05.13-12.18	*	*	
1827 L		Diesel		7698	200	272	05.13-12.18	*	*	
2027 L		Diesel		7698	200	272	05.13-12.18	*	*	
2527 L		Diesel		7698	200	272	09.12-12.18	*	*	
2527 L		Diesel		7698	200	272	05.13-12.18	*	*	
2527 L		Diesel		7698	200	272	05.13-12.18	*	*	
2627 L		Diesel		7698	200	272	05.13-12.18	*	*	
1830 L		Diesel		7698	220	299	05.13-12.18	*	*	
2030 L		Diesel		7698	220	299	05.13-12.18	*	*	
2530 L		Diesel		7698	220	299	09.12-12.18	*	*	
2530 L		Diesel		7698	220	299	05.13-12.18	*	*	
2530 L		Diesel		7698	220	299	05.13-12.18	*	*	
2630 L		Diesel		7698	220	299	05.13-12.18	*	*	
1832 L		Diesel		7698	235	320	05.13-12.18	*	*	
2032 L		Diesel		7698	235	320	05.13-12.18	*	*	
2532 L		Diesel		7698	235	320	09.12-12.18	*	*	
2532 L		Diesel		7698	235	320	05.13-12.18	*	*	
2532 L		Diesel		7698	235	320	05.13-12.18	*	*	
2632 L		Diesel		7698	235	320	05.13-12.18	*	*	
3232 L		Diesel		7698	235	320	09.12-12.18	*	*	
1835 L		Diesel		7698	260	354	05.13-12.18	*	*	
2035 L		Diesel		7698	260	354	05.13-12.18	*	*	
2535 L		Diesel		7698	260	354	09.12-12.18	*	*	
2535 L		Diesel		7698	260	354	05.13-12.18	*	*	
2535 L		Diesel		7698	260	354	05.13-12.18	*	*	
2635 L		Diesel		7698	260	354	05.13-12.18	*	*	
3235 L		Diesel		7698	260	354	09.12-12.18	*	*	
1833 L		Diesel		10677	240	326	05.13-12.18	*	*	
2033 L		Diesel		10677	240	326	05.13-12.18	*	*	
2533 L		Diesel		10677	240	326	09.12-12.18	*	*	
2533 L		Diesel		10677	240	326	05.13-12.18	*	*	
2533 L		Diesel		10677	240	326	05.13-12.18	*	*	
2633 L		Diesel		10677	240	326	05.13-12.18	*	*	
3233 L		Diesel		10677	240	326	09.12-12.18	*	*	
3333 L		Diesel		10677	240	326	05.13-12.18	*	*	
1836 L		Diesel		10677	265	360	05.13-12.18	*	*	
2036 L		Diesel		10677	265	360	05.13-12.18	*	*	
2536 L		Diesel		10677	265	360	09.12-12.18	*	*	

LISTA DE APLICACIONES - BUYERS GUIDE

2536 L		Diesel		10677	265	360	05.13-12.18	*	*
2536 L		Diesel		10677	265	360	05.13-12.18	*	*
2636 L		Diesel		10677	265	360	05.13-12.18	*	*
3236 L		Diesel		10677	265	360	09.12-12.18	*	*
3336 L		Diesel		10677	265	360	05.13-12.18	*	*
1840 L		Diesel		10677	290	394	05.13-12.18	*	*
2040 L		Diesel		10677	290	394	05.13-12.18	*	*
2540 L		Diesel		10677	290	394	09.12-12.18	*	*
2540 L		Diesel		10677	290	394	05.13-12.18	*	*
2540 L		Diesel		10677	290	394	05.13-12.18	*	*
2640 L		Diesel		10677	290	394	05.13-12.18	*	*
3240 L		Diesel		10677	290	394	09.12-12.18	*	*
3340 L		Diesel		10677	290	394	05.13-12.18	*	*
1843 L		Diesel		10677	315	428	05.13-12.18	*	*
2043 L		Diesel		10677	315	428	05.13-12.18	*	*
2543 L		Diesel		10677	315	428	09.12-12.18	*	*
2543 L		Diesel		10677	315	428	05.13-12.18	*	*
2543 L		Diesel		10677	315	428	05.13-12.18	*	*
2643 L		Diesel		10677	315	428	05.13-12.18	*	*
3243 L		Diesel		10677	315	428	09.12-12.18	*	*
3343 L		Diesel		10677	315	428	05.13-12.18	*	*
1846 L		Diesel		10677	335	455	07.15-12.18	*	*
1846 L		Diesel		10677	335	455	07.15-12.18	*	*
2046 L		Diesel		10677	335	455	07.15-12.18	*	*
2046 L		Diesel		10677	335	455	07.15-12.18	*	*
2546 L		Diesel		10677	335	455	07.15-12.18	*	*
2546 L		Diesel		10677	335	455	07.15-12.18	*	*
2546 L		Diesel		10677	335	455	07.15-12.18	*	*
2546 L		Diesel		10677	335	455	07.15-12.18	*	*
2646 L		Diesel		10677	335	455	07.15-12.18	*	*
2646 L		Diesel		10677	335	455	07.15-12.18	*	*
2646 L		Diesel		10677	335	455	07.15-12.18	*	*
3246 L		Diesel		10677	335	455	07.15-12.18	*	*
3346 L		Diesel		10677	335	455	07.15-12.18	*	*
3346 L		Diesel		10677	335	455	07.15-12.18	*	*
1842 L		Diesel		12809	310	421	05.13-12.18	*	*
2042 L		Diesel		12809	310	421	05.13-12.18	*	*
2542 L		Diesel		12809	310	421	09.12-12.18	*	*
2542 L		Diesel		12809	310	421	05.13-12.18	*	*
2542 L		Diesel		12809	310	421	05.13-12.18	*	*
2642 L		Diesel		12809	310	421	05.13-12.18	*	*
3242 L		Diesel		12809	310	421	09.12-12.18	*	*
3342 L		Diesel		12809	310	421	05.13-12.18	*	*
1845 L		Diesel		12809	330	449	05.13-12.18	*	*
2045 L		Diesel		12809	330	449	05.13-12.18	*	*
2545 L		Diesel		12809	330	449	09.12-12.18	*	*
2545 L		Diesel		12809	330	449	05.13-12.18	*	*
2545 L		Diesel		12809	330	449	05.13-12.18	*	*
2645 L		Diesel		12809	330	449	05.13-12.18	*	*
3245 L		Diesel		12809	330	449	09.12-12.18	*	*
3345 L		Diesel		12809	330	449	05.13-12.18	*	*

LISTA DE APLICACIONES - BUYERS GUIDE

1848 L		Diesel		12809	350	476	05.13-12.18	*	*
2048 L		Diesel		12809	350	476	05.13-12.18	*	*
2548 L		Diesel		12809	350	476	09.12-12.18	*	*
2548 L		Diesel		12809	350	476	05.13-12.18	*	*
2548 L		Diesel		12809	350	476	05.13-12.18	*	*
2648 L		Diesel		12809	350	476	05.13-12.18	*	*
3248 L		Diesel		12809	350	476	09.12-12.18	*	*
3348 L		Diesel		12809	350	476	05.13-12.18	*	*
1851 L		Diesel		12809	375	510	05.13-12.18	*	*
2051 L		Diesel		12809	375	510	05.13-12.18	*	*
2551 L		Diesel		12809	375	510	09.12-12.18	*	*
2551 L		Diesel		12809	375	510	05.13-12.18	*	*
2551 L		Diesel		12809	375	510	05.13-12.18	*	*
2651 L		Diesel		12809	375	510	05.13-12.18	*	*
3251 L		Diesel		12809	375	510	09.12-12.18	*	*
3351 L		Diesel		12809	375	510	05.13-12.18	*	*
1853 L		Diesel		12809	390	530	07.15-12.18	*	*
1853 L		Diesel		12809	390	530	07.15-12.18	*	*
2053 L		Diesel		12809	390	530	07.15-12.18	*	*
2053 L		Diesel		12809	390	530	07.15-12.18	*	*
2553 L		Diesel		12809	390	530	07.15-12.18	*	*
2553 L		Diesel		12809	390	530	07.15-12.18	*	*
2553 L		Diesel		12809	390	530	07.15-12.18	*	*
2553 L		Diesel		12809	390	530	07.15-12.18	*	*
2653 L		Diesel		12809	390	530	07.15-12.18	*	*
2653 L		Diesel		12809	390	530	07.15-12.18	*	*
2653 L		Diesel		12809	390	530	07.15-12.18	*	*
3253 L		Diesel		12809	390	530	07.15-12.18	*	*
3353 L		Diesel		12809	390	530	07.15-12.18	*	*
3353 L		Diesel		12809	390	530	07.15-12.18	*	*
1852 L		Diesel		15569	380	517	09.12-12.18	*	*
1852 L		Diesel		15569	380	517	05.13-12.18	*	*
2052 L		Diesel		15569	380	517	09.12-12.18	*	*
2052 L		Diesel		15569	380	517	05.13-12.18	*	*
2552 L		Diesel		15569	380	517	09.12-12.18	*	*
2552 L		Diesel		15569	380	517	09.12-12.18	*	*
2552 L		Diesel		15569	380	517	07.15-12.18	*	*
2552 L		Diesel		15569	380	517	07.15-12.18	*	*
2652 L		Diesel		15569	380	517	09.12-12.18	*	*
2652 L		Diesel		15569	380	517	09.12-12.18	*	*
2652 L		Diesel		15569	380	517	05.13-12.18	*	*
3352 L		Diesel		15569	380	517	09.12-12.18	*	*
3352 L		Diesel		15569	380	517	05.13-12.18	*	*
1858 L		Diesel		15569	425	578	09.12-12.18	*	*
1858 L		Diesel		15569	425	578	05.13-12.18	*	*
2058 L		Diesel		15569	425	578	09.12-12.18	*	*
2058 L		Diesel		15569	425	578	05.13-12.18	*	*
2558 L		Diesel		15569	425	578	09.12-12.18	*	*
2558 L		Diesel		15569	425	578	09.12-12.18	*	*
2558 L		Diesel		15569	425	578	05.13-12.18	*	*
2558 L		Diesel		15569	425	578	05.13-12.18	*	*

LISTA DE APLICACIONES - BUYERS GUIDE

2658 L		Diesel		15569	425	578	09.12-12.18	*	*
2658 L		Diesel		15569	425	578	09.12-12.18	*	*
2658 L		Diesel		15569	425	578	05.13-12.18	*	*
3358 L		Diesel		15569	425	578	09.12-12.18	*	*
3358 L		Diesel		15569	425	578	05.13-12.18	*	*
1863 L		Diesel		15569	460	625	09.12-12.18	*	*
1863 L		Diesel		15569	460	625	05.13-12.18	*	*
2063 L		Diesel		15569	460	625	09.12-12.18	*	*
2063 L		Diesel		15569	460	625	05.13-12.18	*	*
2563 L		Diesel		15569	460	625	09.12-12.18	*	*
2563 L		Diesel		15569	460	625	09.12-12.18	*	*
2563 L		Diesel		15569	460	625	05.13-12.18	*	*
2563 L		Diesel		15569	460	625	05.13-12.18	*	*
2663 L		Diesel		15569	460	625	09.12-12.18	*	*
2663 L		Diesel		15569	460	625	09.12-12.18	*	*
2663 L		Diesel		15569	460	625	05.13-12.18	*	*
3363 L		Diesel		15569	460	625	09.12-12.18	*	*
3363 L		Diesel		15569	460	625	05.13-12.18	*	*
AROCS 01.13-					Cabeza tractora				
1824 LS		Diesel		7698	175	238	05.13-	*	*
2024 LS		Diesel		7698	175	238	05.13-	*	*
2524 LS		Diesel		7698	175	238	05.13-	*	*
2524 LS		Diesel		7698	175	238	05.13-	*	*
2524 LS		Diesel		7698	175	238	05.13-	*	*
2624 LS		Diesel		7698	175	238	05.13-	*	*
2624 LS		Diesel		7698	175	238	05.13-	*	*
2624 LS		Diesel		7698	175	238	05.13-	*	*
2624 S		Diesel		7698	175	238	05.13-	*	*
1827 LS		Diesel		7698	200	272	05.13-	*	*
2027 LS		Diesel		7698	200	272	05.13-	*	*
2527 LS		Diesel		7698	200	272	05.13-	*	*
2527 LS		Diesel		7698	200	272	05.13-	*	*
2627 LS		Diesel		7698	200	272	05.13-	*	*
1830 LS		Diesel		7698	220	299	05.13-	*	*
2030 LS		Diesel		7698	220	299	05.13-	*	*
2530 LS		Diesel		7698	220	299	05.13-	*	*
2530 LS		Diesel		7698	220	299	05.13-	*	*
2630 LS		Diesel		7698	220	299	05.13-	*	*
1832 LS		Diesel		7698	235	320	05.13-	*	*
2032 LS		Diesel		7698	235	320	05.13-	*	*
2532 LS		Diesel		7698	235	320	05.13-	*	*
2532 LS		Diesel		7698	235	320	05.13-	*	*
2632 LS		Diesel		7698	235	320	05.13-	*	*
1835 LS		Diesel		7698	260	354	05.13-	*	*
2035 LS		Diesel		7698	260	354	05.13-	*	*
2535 LS		Diesel		7698	260	354	05.13-	*	*
2535 LS		Diesel		7698	260	354	05.13-	*	*
2635 LS		Diesel		7698	260	354	05.13-	*	*
1833 LS		Diesel		10677	240	326	05.13-	*	*
2033LS		Diesel		10677	240	326	05.13-	*	*
2533 LS		Diesel		10677	240	326	05.13-	*	*

LISTA DE APLICACIONES - BUYERS GUIDE

2633 LS		Diesel		10677	240	326	05.13-	*	*
3333 LS		Diesel		10677	240	326	05.13-	*	*
1836 LS		Diesel		10677	265	360	05.13-	*	*
2036LS		Diesel		10677	265	360	05.13-	*	*
2536 LS		Diesel		10677	265	360	05.13-	*	*
2636 LS		Diesel		10677	265	360	05.13-	*	*
3336 LS		Diesel		10677	265	360	05.13-	*	*
1840LS		Diesel		10677	290	394	05.13-	*	*
2040 LS		Diesel		10677	290	394	05.13-	*	*
2540 LS		Diesel		10677	290	394	05.13-	*	*
2640 LS		Diesel		10677	290	394	05.13-	*	*
3340 LS		Diesel		10677	290	394	05.13-	*	*
1843 LS		Diesel		10677	315	428	05.13-	*	*
2043 LS		Diesel		10677	315	428	05.13-	*	*
2543 LS		Diesel		10677	315	428	05.13-	*	*
2643 LS		Diesel		10677	315	428	05.13-	*	*
3343 LS		Diesel		10677	315	428	05.13-	*	*
1846 LS		Diesel		10677	335	455	07.15-	*	*
1846 LS		Diesel		10677	335	455	07.15-	*	*
2046 LS		Diesel		10677	335	455	07.15-	*	*
2046 LS		Diesel		10677	335	455	07.15-	*	*
2046 S		Diesel		10677	335	455	07.15-	*	*
2546 LS		Diesel		10677	335	455	07.15-	*	*
2546 LS		Diesel		10677	335	455	07.15-	*	*
2546 LS		Diesel		10677	335	455	07.15-	*	*
2646 LS		Diesel		10677	335	455	07.15-	*	*
2646 LS		Diesel		10677	335	455	07.15-	*	*
2646 LS		Diesel		10677	335	455	07.15-	*	*
2646 S		Diesel		10677	335	455	07.15-	*	*
3346 LS		Diesel		10677	335	455	07.15-	*	*
3346 LS		Diesel		10677	335	455	07.15-	*	*
3346 S		Diesel		10677	335	455	07.15-	*	*
1842 LS		Diesel		12809	310	421	05.13-	*	*
2042 LS		Diesel		12809	310	421	05.13-	*	*
2542 LS		Diesel		12809	310	421	05.13-	*	*
2542 LS		Diesel		12809	310	421	05.13-	*	*
2642 LS		Diesel		12809	310	421	05.13-	*	*
3342 LS		Diesel		12809	310	421	05.13-	*	*
1845 LS		Diesel		12809	330	449	05.13-	*	*
2045 LS		Diesel		12809	330	449	05.13-	*	*
2545 LS		Diesel		12809	330	449	05.13-	*	*
2545 LS		Diesel		12809	330	449	05.13-	*	*
2645 LS		Diesel		12809	330	449	05.13-	*	*
3345 LS		Diesel		12809	330	449	05.13-	*	*
1848 LS		Diesel		12809	350	476	05.13-	*	*
2048 LS		Diesel		12809	350	476	05.13-	*	*
2548 LS		Diesel		12809	350	476	05.13-	*	*
2548 LS		Diesel		12809	350	476	05.13-	*	*
2648 LS		Diesel		12809	350	476	05.13-	*	*
3348 LS		Diesel		12809	350	476	05.13-	*	*
1851 LS		Diesel		12809	375	510	05.13-	*	*

LISTA DE APLICACIONES - BUYERS GUIDE

2051 LS		Diesel		12809	375	510	05.13-	*	*
2551 LS		Diesel		12809	375	510	05.13-	*	*
2651 LS		Diesel		12809	375	510	05.13-	*	*
3351 LS		Diesel		12809	375	510	05.13-	*	*
1853 LS		Diesel		12809	390	530	07.15-	*	*
1853 LS		Diesel		12809	390	530	07.15-	*	*
2053 LS		Diesel		12809	390	530	07.15-	*	*
2053 LS		Diesel		12809	390	530	07.15-	*	*
2053 S		Diesel		12809	390	530	07.15-	*	*
2553 LS		Diesel		12809	390	530	07.15-	*	*
2553 LS		Diesel		12809	390	530	07.15-	*	*
2553 LS		Diesel		12809	390	530	07.15-	*	*
2653 LS		Diesel		12809	390	530	07.15-	*	*
2653 LS		Diesel		12809	390	530	07.15-	*	*
2653 LS		Diesel		12809	390	530	07.15-	*	*
2653 S		Diesel		12809	390	530	07.15-	*	*
3353 LS		Diesel		12809	390	530	07.15-	*	*
3353 LS		Diesel		12809	390	530	07.15-	*	*
3353 S		Diesel		12809	390	530	07.15-	*	*
1852 LS		Diesel		15569	380	517	05.13-	*	*
1852 LS		Diesel		15569	380	517	05.13-	*	*
2052 LS		Diesel		15569	380	517	05.13-	*	*
2052 LS		Diesel		15569	380	517	05.13-	*	*
2052 S		Diesel		15569	380	517	05.13-	*	*
2552 LS		Diesel		15569	380	517	05.13-	*	*
2552 LS		Diesel		15569	380	517	05.13-	*	*
2652 LS		Diesel		15569	380	517	05.13-	*	*
2652 LS		Diesel		15569	380	517	05.13-	*	*
2652 LS		Diesel		15569	380	517	05.13-	*	*
2652 S		Diesel		15569	380	517	05.13-	*	*
3352 LS		Diesel		15569	380	517	05.13-	*	*
3352 LS		Diesel		15569	380	517	05.13-	*	*
3352 S		Diesel		15569	380	517	05.13-	*	*
3352 SLT		Diesel		15569	380	517	12.13-	*	*
4052 SLT		Diesel		15569	380	517	12.13-	*	*
4152 SLT		Diesel		15569	380	517	12.13-	*	*
1858 LS		Diesel		15569	425	578	05.13-	*	*
1858 LS		Diesel		15569	425	578	05.13-	*	*
2058 LS		Diesel		15569	425	578	05.13-	*	*
2058 LS		Diesel		15569	425	578	05.13-	*	*
2058 S		Diesel		15569	425	578	05.13-	*	*
2558 LS		Diesel		15569	425	578	05.13-	*	*
2558 LS		Diesel		15569	425	578	05.13-	*	*
2658 LS		Diesel		15569	425	578	05.13-	*	*
2658 LS		Diesel		15569	425	578	05.13-	*	*
2658 LS		Diesel		15569	425	578	05.13-	*	*
2658 S		Diesel		15569	425	578	05.13-	*	*
3358 LS		Diesel		15569	425	578	05.13-	*	*
3358 LS		Diesel		15569	425	578	05.13-	*	*
3358 S		Diesel		15569	425	578	05.13-	*	*
3358 SLT		Diesel		15569	425	578	12.13-	*	*

LISTA DE APLICACIONES - BUYERS GUIDE

4058 SLT		Diesel		15569	425	578	12.13-	*	*
4158 SLT		Diesel		15569	425	578	12.13-	*	*
1863 LS		Diesel		15569	460	625	05.13-	*	*
1863 LS		Diesel		15569	460	625	05.13-	*	*
2063 LS		Diesel		15569	460	625	05.13-	*	*
2063 LS		Diesel		15569	460	625	05.13-	*	*
2063 S		Diesel		15569	460	625	05.13-	*	*
2563 LS		Diesel		15569	460	625	05.13-	*	*
2563 LS		Diesel		15569	460	625	05.13-	*	*
2663 LS		Diesel		15569	460	625	05.13-	*	*
2663 LS		Diesel		15569	460	625	05.13-	*	*
2663 LS		Diesel		15569	460	625	05.13-	*	*
2663 S		Diesel		15569	460	625	05.13-	*	*
3363 LS		Diesel		15569	460	625	05.13-	*	*
3363 LS		Diesel		15569	460	625	05.13-	*	*
3363 S		Diesel		15569	460	625	05.13-	*	*
3363 SLT		Diesel		15569	460	625	12.13-	*	*
4063 SLT		Diesel		15569	460	625	12.13-	*	*
4163 SLT		Diesel		15569	460	625	12.13-	*	*
AROCS 01.13-								Caja/Chasis	
1824 L		Diesel		7698	175	238	05.13-	*	*
1824 L		Diesel		7698	175	238	05.13-	*	*
2024 L		Diesel		7698	175	238	05.13-	*	*
2024 L		Diesel		7698	175	238	05.13-	*	*
2524 L		Diesel		7698	175	238	05.13-	*	*
2524 L		Diesel		7698	175	238	05.13-	*	*
2524 L		Diesel		7698	175	238	05.13-	*	*
2524 L		Diesel		7698	175	238	05.13-	*	*
2624		Diesel		7698	175	238	05.13-	*	*
2624 L		Diesel		7698	175	238	05.13-	*	*
2624 L		Diesel		7698	175	238	05.13-	*	*
2624 L		Diesel		7698	175	238	05.13-	*	*
3224		Diesel		7698	175	238	05.13-	*	*
3224 L		Diesel		7698	175	238	05.13-	*	*
3224 L		Diesel		7698	175	238	03.16-	*	*
1827 L		Diesel		7698	200	272	05.13-	*	*
1827 L		Diesel		7698	200	272	05.13-	*	*
2027 L		Diesel		7698	200	272	05.13-	*	*
2027 L		Diesel		7698	200	272	05.13-	*	*
2527 L		Diesel		7698	200	272	05.13-	*	*
2527 L		Diesel		7698	200	272	05.13-	*	*
2627 L		Diesel		7698	200	272	05.13-	*	*
3227 L		Diesel		7698	200	272	03.16-	*	*
1830 L		Diesel		7698	220	299	05.13-	*	*
1830 L		Diesel		7698	220	299	05.13-	*	*
2030 L		Diesel		7698	220	299	05.13-	*	*
2030 L		Diesel		7698	220	299	05.13-	*	*
2530 L		Diesel		7698	220	299	05.13-	*	*
2530 L		Diesel		7698	220	299	05.13-	*	*
2630 L		Diesel		7698	220	299	05.13-	*	*
3230 L		Diesel		7698	220	299	03.16-	*	*

LISTA DE APLICACIONES - BUYERS GUIDE

1832 L		Diesel		7698	235	320	05.13-	*	*
1832 L		Diesel		7698	235	320	05.13-	*	*
2032 L		Diesel		7698	235	320	05.13-	*	*
2032 L		Diesel		7698	235	320	05.13-	*	*
2532 L		Diesel		7698	235	320	05.13-	*	*
2532 L		Diesel		7698	235	320	05.13-	*	*
2632 L		Diesel		7698	235	320	05.13-	*	*
3232 L		Diesel		7698	235	320	03.16-	*	
1835 L		Diesel		7698	260	354	05.13-	*	*
1835 L		Diesel		7698	260	354	05.13-	*	*
2035 L		Diesel		7698	260	354	05.13-	*	*
2035 L		Diesel		7698	260	354	05.13-	*	*
2535 L		Diesel		7698	260	354	05.13-	*	*
2535 L		Diesel		7698	260	354	05.13-	*	*
2635 L		Diesel		7698	260	354	05.13-	*	*
3235 L		Diesel		7698	260	354	03.16-	*	
1833 L		Diesel		10677	240	326	05.13-	*	*
1833 L		Diesel		10677	240	326	05.13-	*	*
2033 L		Diesel		10677	240	326	05.13-	*	*
2033 L		Diesel		10677	240	326	05.13-	*	*
2533 L		Diesel		10677	240	326	05.13-	*	*
2533 L		Diesel		10677	240	326	05.13-	*	*
2633 L		Diesel		10677	240	326	05.13-	*	*
3233 L		Diesel		10677	240	326	03.16-	*	
3333 L		Diesel		10677	240	326	05.13-	*	*
1836 L		Diesel		10677	265	360	05.13-	*	*
1836 L		Diesel		10677	265	360	05.13-	*	*
2036 L		Diesel		10677	265	360	05.13-	*	*
2036 L		Diesel		10677	265	360	05.13-	*	*
2536 L		Diesel		10677	265	360	05.13-	*	*
2536 L		Diesel		10677	265	360	05.13-	*	*
2636 L		Diesel		10677	265	360	05.13-	*	*
3236 L		Diesel		10677	265	360	03.16-	*	
3336 L		Diesel		10677	265	360	05.13-	*	*
1840 L		Diesel		10677	290	394	05.13-	*	*
1840 L		Diesel		10677	290	394	05.13-	*	*
2040 L		Diesel		10677	290	394	05.13-	*	*
2040 L		Diesel		10677	290	394	05.13-	*	*
2540 L		Diesel		10677	290	394	05.13-	*	*
2540 L		Diesel		10677	290	394	05.13-	*	*
2640 L		Diesel		10677	290	394	05.13-	*	*
3240 L		Diesel		10677	290	394	03.16-	*	
3340 L		Diesel		10677	290	394	05.13-	*	*
1843 L		Diesel		10677	315	428	05.13-	*	*
1843 L		Diesel		10677	315	428	05.13-	*	*
2043 L		Diesel		10677	315	428	05.13-	*	*
2043 L		Diesel		10677	315	428	05.13-	*	*
2543 L		Diesel		10677	315	428	05.13-	*	*
2543 L		Diesel		10677	315	428	05.13-	*	*
2643 L		Diesel		10677	315	428	05.13-	*	*
3243 L		Diesel		10677	315	428	03.16-	*	

LISTA DE APLICACIONES - BUYERS GUIDE

3343 L		Diesel		10677	315	428	05.13-	*	*
1846		Diesel		10677	335	455	07.15-	*	*
1846 L		Diesel		10677	335	455	07.15-	*	*
1846 L		Diesel		10677	335	455	07.15-	*	*
2046		Diesel		10677	335	455	07.15-	*	*
2046 L		Diesel		10677	335	455	07.15-	*	*
2046 L		Diesel		10677	335	455	07.15-	*	*
2546 L		Diesel		10677	335	455	07.15-	*	*
2546 L		Diesel		10677	335	455	07.15-	*	*
2546 L		Diesel		10677	335	455	07.15-	*	*
2546 L		Diesel		10677	335	455	07.15-	*	*
2646		Diesel		10677	335	455	07.15-	*	*
2646 L		Diesel		10677	335	455	07.15-	*	*
2646 L		Diesel		10677	335	455	07.15-	*	*
2646 L		Diesel		10677	335	455	07.15-	*	*
3246		Diesel		10677	335	455	07.15-	*	*
3246 L		Diesel		10677	335	455	03.16-	*	
3246 L		Diesel		10677	335	455	07.15-	*	*
3346		Diesel		10677	335	455	07.15-	*	*
3346 L		Diesel		10677	335	455	07.15-	*	*
3346 L		Diesel		10677	335	455	07.15-	*	*
4146		Diesel		10677	335	455	07.15-	*	*
1842 L		Diesel		12809	310	421	05.13-	*	*
1842 L		Diesel		12809	310	421	05.13-	*	*
2042 L		Diesel		12809	310	421	05.13-	*	*
2042 L		Diesel		12809	310	421	05.13-	*	*
2542 L		Diesel		12809	310	421	05.13-	*	*
2542 L		Diesel		12809	310	421	05.13-	*	*
2542 L		Diesel		12809	310	421	05.13-	*	*
2642 L		Diesel		12809	310	421	05.13-	*	*
3242 L		Diesel		12809	310	421	03.16-	*	
3342 L		Diesel		12809	310	421	05.13-	*	*
1845 L		Diesel		12809	330	449	05.13-	*	*
1845 L		Diesel		12809	330	449	05.13-	*	*
2045 L		Diesel		12809	330	449	05.13-	*	*
2045 L		Diesel		12809	330	449	05.13-	*	*
2545 L		Diesel		12809	330	449	05.13-	*	*
2545 L		Diesel		12809	330	449	05.13-	*	*
2545 L		Diesel		12809	330	449	05.13-	*	*
2645 L		Diesel		12809	330	449	05.13-	*	*
3245 L		Diesel		12809	330	449	03.16-	*	
3345 L		Diesel		12809	330	449	05.13-	*	*
1848 L		Diesel		12809	350	476	05.13-	*	*
1848 L		Diesel		12809	350	476	05.13-	*	*
2048 L		Diesel		12809	350	476	05.13-	*	*
2048 L		Diesel		12809	350	476	05.13-	*	*
2548 L		Diesel		12809	350	476	05.13-	*	*
2548 L		Diesel		12809	350	476	05.13-	*	*
2548 L		Diesel		12809	350	476	05.13-	*	*
2648 L		Diesel		12809	350	476	05.13-	*	*
3248 L		Diesel		12809	350	476	03.16-	*	

LISTA DE APLICACIONES - BUYERS GUIDE

3348 L		Diesel		12809	350	476	05.13-	*	*
1851 L		Diesel		12809	375	510	05.13-	*	*
1851 L		Diesel		12809	375	510	05.13-	*	*
2051 L		Diesel		12809	375	510	05.13-	*	*
2051 L		Diesel		12809	375	510	05.13-	*	*
2551 L		Diesel		12809	375	510	05.13-	*	*
2551 L		Diesel		12809	375	510	05.13-	*	*
2651 L		Diesel		12809	375	510	05.13-	*	*
3251 L		Diesel		12809	375	510	03.16-	*	
3351 L		Diesel		12809	375	510	05.13-	*	*
1853		Diesel		12809	390	530	07.15-	*	*
1853 L		Diesel		12809	390	530	07.15-	*	*
1853 L		Diesel		12809	390	530	07.15-	*	*
2053		Diesel		12809	390	530	07.15-	*	*
2053 L		Diesel		12809	390	530	07.15-	*	*
2053 L		Diesel		12809	390	530	07.15-	*	*
2553 L		Diesel		12809	390	530	07.15-	*	*
2553 L		Diesel		12809	390	530	07.15-	*	*
2553 L		Diesel		12809	390	530	07.15-	*	*
2553 L		Diesel		12809	390	530	07.15-	*	*
2653		Diesel		12809	390	530	07.15-	*	*
2653 L		Diesel		12809	390	530	07.15-	*	*
2653 L		Diesel		12809	390	530	07.15-	*	*
2653 L		Diesel		12809	390	530	07.15-	*	*
3253		Diesel		12809	390	530	07.15-	*	*
3253 L		Diesel		12809	390	530	03.16-	*	
3253 L		Diesel		12809	390	530	07.15-	*	*
3353		Diesel		12809	390	530	07.15-	*	*
3353 L		Diesel		12809	390	530	07.15-	*	*
3353 L		Diesel		12809	390	530	07.15-	*	*
4153		Diesel		12809	390	530	07.15-	*	*
1852		Diesel		15569	380	517	05.13-	*	*
1852 L		Diesel		15569	380	517	05.13-	*	*
1852 L		Diesel		15569	380	517	05.13-	*	*
2052		Diesel		15569	380	517	05.13-	*	*
2052 L		Diesel		15569	380	517	05.13-	*	*
2052 L		Diesel		15569	380	517	05.13-	*	*
2552 L		Diesel		15569	380	517	05.13-	*	*
2552 L		Diesel		15569	380	517	05.13-	*	*
2552 L		Diesel		15569	380	517	05.13-	*	*
2652		Diesel		15569	380	517	05.13-	*	*
2652 L		Diesel		15569	380	517	05.13-	*	*
2652 L		Diesel		15569	380	517	05.13-	*	*
2652 L		Diesel		15569	380	517	05.13-	*	*
3252		Diesel		15569	380	517	05.13-	*	*
3252 L		Diesel		15569	380	517	05.13-	*	*
3352		Diesel		15569	380	517	05.13-	*	*
3352 L		Diesel		15569	380	517	05.13-	*	*
3352 L		Diesel		15569	380	517	05.13-	*	*
4152		Diesel		15569	380	517	05.13-	*	*
1858		Diesel		15569	425	578	05.13-	*	*

LISTA DE APLICACIONES - BUYERS GUIDE

1858 L		Diesel		15569	425	578	05.13-	*	*
1858 L		Diesel		15569	425	578	05.13-	*	*
2058		Diesel		15569	425	578	05.13-	*	*
2058 L		Diesel		15569	425	578	05.13-	*	*
2058 L		Diesel		15569	425	578	05.13-	*	*
2558 L		Diesel		15569	425	578	05.13-	*	*
2558 L		Diesel		15569	425	578	05.13-	*	*
2558 L		Diesel		15569	425	578	05.13-	*	*
2658		Diesel		15569	425	578	05.13-	*	*
2658 L		Diesel		15569	425	578	05.13-	*	*
2658 L		Diesel		15569	425	578	05.13-	*	*
2658 L		Diesel		15569	425	578	05.13-	*	*
3258		Diesel		15569	425	578	05.13-	*	*
3258 L		Diesel		15569	425	578	05.13-	*	*
3358		Diesel		15569	425	578	05.13-	*	*
3358 L		Diesel		15569	425	578	05.13-	*	*
3358 L		Diesel		15569	425	578	05.13-	*	*
4158		Diesel		15569	425	578	05.13-	*	*
1863		Diesel		15569	460	625	05.13-	*	*
1863 L		Diesel		15569	460	625	05.13-	*	*
1863 L		Diesel		15569	460	625	05.13-	*	*
2063		Diesel		15569	460	625	05.13-	*	*
2063 L		Diesel		15569	460	625	05.13-	*	*
2063 L		Diesel		15569	460	625	05.13-	*	*
2563 L		Diesel		15569	460	625	05.13-	*	*
2563 L		Diesel		15569	460	625	05.13-	*	*
2563 L		Diesel		15569	460	625	05.13-	*	*
2663		Diesel		15569	460	625	05.13-	*	*
2663 L		Diesel		15569	460	625	05.13-	*	*
2663 L		Diesel		15569	460	625	05.13-	*	*
2663 L		Diesel		15569	460	625	05.13-	*	*
3263		Diesel		15569	460	625	05.13-	*	*
3263 L		Diesel		15569	460	625	05.13-	*	*
3363		Diesel		15569	460	625	05.13-	*	*
3363 L		Diesel		15569	460	625	05.13-	*	*
3363 L		Diesel		15569	460	625	05.13-	*	*
4163		Diesel		15569	460	625	05.13-	*	*
AROCS 01.13-					Camión volquete				
1824 LK		Diesel		7698	175	238	05.13-	*	*
1824 LK		Diesel		7698	175	238	05.13-	*	*
2024 LK		Diesel		7698	175	238	05.13-	*	*
2024 LK		Diesel		7698	175	238	05.13-	*	*
2624 K		Diesel		7698	175	238	05.13-	*	*
2624 LK		Diesel		7698	175	238	05.13-	*	*
2624 LK		Diesel		7698	175	238	05.13-	*	*
3224 K		Diesel		7698	175	238	05.13-	*	*
3224 LK		Diesel		7698	175	238	05.13-	*	*
1827 LK		Diesel		7698	200	272	05.13-	*	*
1827 LK		Diesel		7698	200	272	05.13-	*	*
2027 LK		Diesel		7698	200	272	05.13-	*	*
2027 LK		Diesel		7698	200	272	05.13-	*	*

LISTA DE APLICACIONES - BUYERS GUIDE

2627 LK		Diesel		7698	200	272	05.13-	*	*
3227 K		Diesel		7698	200	272	05.13-	*	*
1830 LK		Diesel		7698	220	299	05.13-	*	*
1830 LK		Diesel		7698	220	299	05.13-	*	*
2030 LK		Diesel		7698	220	299	05.13-	*	*
2030 LK		Diesel		7698	220	299	05.13-	*	*
2630 LK		Diesel		7698	220	299	05.13-	*	*
1832 LK		Diesel		7698	235	320	05.13-	*	*
1832 LK		Diesel		7698	235	320	05.13-	*	*
2032 LK		Diesel		7698	235	320	05.13-	*	*
2032 LK		Diesel		7698	235	320	05.13-	*	*
2532 K		Diesel		7698	235	320	09.19-	*	
2632 LK		Diesel		7698	235	320	05.13-	*	*
3332 K		Diesel		7698	235	320	05.13-	*	*
1835 LK		Diesel		7698	260	354	05.13-	*	*
1835 LK		Diesel		7698	260	354	05.13-	*	*
2035 LK		Diesel		7698	260	354	05.13-	*	*
2035 LK		Diesel		7698	260	354	05.13-	*	*
2535 K		Diesel		7698	260	354	09.19-	*	
2635 LK		Diesel		7698	260	354	05.13-	*	*
3335 K		Diesel		7698	260	354	05.13-	*	*
1833 LK		Diesel		10677	240	326	05.13-	*	*
1833 LK		Diesel		10677	240	326	05.13-	*	*
2033 LK		Diesel		10677	240	326	05.13-	*	*
2033 LK		Diesel		10677	240	326	05.13-	*	*
2633 LK		Diesel		10677	240	326	05.13-	*	*
3333 LK		Diesel		10677	240	326	05.13-	*	*
1836 LK		Diesel		10677	265	360	05.13-	*	*
1836 LK		Diesel		10677	265	360	05.13-	*	*
2036 LK		Diesel		10677	265	360	05.13-	*	*
2036 LK		Diesel		10677	265	360	05.13-	*	*
2636 LK		Diesel		10677	265	360	05.13-	*	*
3336 LK		Diesel		10677	265	360	05.13-	*	*
1840 LK		Diesel		10677	290	394	05.13-	*	*
1840 LK		Diesel		10677	290	394	05.13-	*	*
2040 LK		Diesel		10677	290	394	05.13-	*	*
2040 LK		Diesel		10677	290	394	05.13-	*	*
2640 LK		Diesel		10677	290	394	05.13-	*	*
3340 LK		Diesel		10677	290	394	05.13-	*	*
1843 LK		Diesel		10677	315	428	05.13-	*	*
1843 LK		Diesel		10677	315	428	05.13-	*	*
2043 LK		Diesel		10677	315	428	05.13-	*	*
2043 LK		Diesel		10677	315	428	05.13-	*	*
2643 LK		Diesel		10677	315	428	05.13-	*	*
3343 LK		Diesel		10677	315	428	05.13-	*	*
1846 K		Diesel		10677	335	455	07.15-	*	*
1846 LK		Diesel		10677	335	455	07.15-	*	*
1846 LK		Diesel		10677	335	455	07.15-	*	*
2046 K		Diesel		10677	335	455	07.15-	*	*
2046 LK		Diesel		10677	335	455	07.15-	*	*
2046 LK		Diesel		10677	335	455	07.15-	*	*

LISTA DE APLICACIONES - BUYERS GUIDE

2646 K		Diesel		10677	335	455	07.15-	*	*
2646 LK		Diesel		10677	335	455	07.15-	*	*
2646 LK		Diesel		10677	335	455	07.15-	*	*
3246 K		Diesel		10677	335	455	07.15-	*	*
3246 LK		Diesel		10677	335	455	07.15-	*	*
3346 K		Diesel		10677	335	455	07.15-	*	*
3346 LK		Diesel		10677	335	455	07.15-	*	*
3346 LK		Diesel		10677	335	455	07.15-	*	*
4146 K		Diesel		10677	335	455	07.15-	*	*
1842 LK		Diesel		12809	310	421	05.13-	*	*
1842 LK		Diesel		12809	310	421	05.13-	*	*
2042 LK		Diesel		12809	310	421	05.13-	*	*
2042 LK		Diesel		12809	310	421	05.13-	*	*
2642 LK		Diesel		12809	310	421	05.13-	*	*
3342 LK		Diesel		12809	310	421	05.13-	*	*
1845 LK		Diesel		12809	330	449	05.13-	*	*
1845 LK		Diesel		12809	330	449	05.13-	*	*
2045 LK		Diesel		12809	330	449	05.13-	*	*
2045 LK		Diesel		12809	330	449	05.13-	*	*
2645 LK		Diesel		12809	330	449	05.13-	*	*
3345 LK		Diesel		12809	330	449	05.13-	*	*
1848 LK		Diesel		12809	350	476	05.13-	*	*
1848 LK		Diesel		12809	350	476	05.13-	*	*
2048 LK		Diesel		12809	350	476	05.13-	*	*
2048 LK		Diesel		12809	350	476	05.13-	*	*
2648 LK		Diesel		12809	350	476	05.13-	*	*
3348 LK		Diesel		12809	350	476	05.13-	*	*
1851 LK		Diesel		12809	375	510	05.13-	*	*
1851 LK		Diesel		12809	375	510	05.13-	*	*
2051 LK		Diesel		12809	375	510	05.13-	*	*
2051 LK		Diesel		12809	375	510	05.13-	*	*
2651 LK		Diesel		12809	375	510	05.13-	*	*
3351 LK		Diesel		12809	375	510	05.13-	*	*
1853 K		Diesel		12809	390	530	07.15-	*	*
1853 LK		Diesel		12809	390	530	07.15-	*	*
1853 LK		Diesel		12809	390	530	07.15-	*	*
2053 K		Diesel		12809	390	530	07.15-	*	*
2053 LK		Diesel		12809	390	530	07.15-	*	*
2053 LK		Diesel		12809	390	530	07.15-	*	*
2653 K		Diesel		12809	390	530	07.15-	*	*
2653 LK		Diesel		12809	390	530	07.15-	*	*
2653 LK		Diesel		12809	390	530	07.15-	*	*
3253 K		Diesel		12809	390	530	07.15-	*	*
3253 LK		Diesel		12809	390	530	07.15-	*	*
3353 K		Diesel		12809	390	530	07.15-	*	*
3353 LK		Diesel		12809	390	530	07.15-	*	*
3353 LK		Diesel		12809	390	530	07.15-	*	*
4153 K		Diesel		12809	390	530	07.15-	*	*
2652 K		Diesel		15569	380	517	05.13-	*	*
2652 LK		Diesel		15569	380	517	05.13-	*	*
2652 LK		Diesel		15569	380	517	05.13-	*	*

LISTA DE APLICACIONES - BUYERS GUIDE

3252 K		Diesel		15569	380	517	05.13-	*	*
3252 LK		Diesel		15569	380	517	05.13-	*	*
3352 K		Diesel		15569	380	517	05.13-	*	*
3352 LK		Diesel		15569	380	517	05.13-	*	*
3352 LK		Diesel		15569	380	517	05.13-	*	*
4152 K		Diesel		15569	380	517	05.13-	*	*
2658 K		Diesel		15569	425	578	05.13-	*	*
2658 LK		Diesel		15569	425	578	05.13-	*	*
2658 LK		Diesel		15569	425	578	05.13-	*	*
3258 K		Diesel		15569	425	578	05.13-	*	*
3258 LK		Diesel		15569	425	578	05.13-	*	*
3358 K		Diesel		15569	425	578	05.13-	*	*
3358 LK		Diesel		15569	425	578	05.13-	*	*
3358 LK		Diesel		15569	425	578	05.13-	*	*
4158 K		Diesel		15569	425	578	05.13-	*	*
2663 K		Diesel		15569	460	625	05.13-	*	*
2663 LK		Diesel		15569	460	625	05.13-	*	*
2663 LK		Diesel		15569	460	625	05.13-	*	*
3263 K		Diesel		15569	460	625	05.13-	*	*
3263 LK		Diesel		15569	460	625	05.13-	*	*
3363 K		Diesel		15569	460	625	05.13-	*	*
3363 LK		Diesel		15569	460	625	05.13-	*	*
3363 LK		Diesel		15569	460	625	05.13-	*	*
4163 K		Diesel		15569	460	625	05.13-	*	*
AROCS 01.13-									Hormigonera
2624 B		Diesel		7698	175	238	05.13-	*	*
2624 LB		Diesel		7698	175	238	05.13-	*	*
2624 LB		Diesel		7698	175	238	05.13-	*	*
3224 B		Diesel		7698	175	238	05.13-	*	*
3224 LB		Diesel		7698	175	238	05.13-	*	*
3324 B		Diesel		7698	175	238	05.13-	*	*
2627 LB		Diesel		7698	200	272	05.13-	*	*
3327 B		Diesel		7698	200	272	05.13-	*	*
2630 LB		Diesel		7698	220	299	05.13-	*	*
3330 B		Diesel		7698	220	299	05.13-	*	*
2632 LB		Diesel		7698	235	320	05.13-	*	*
3332 B		Diesel		7698	235	320	05.13-	*	*
2635 LB		Diesel		7698	260	354	05.13-	*	*
3335 B		Diesel		7698	260	354	05.13-	*	*
2633 LB		Diesel		10677	240	326	05.13-	*	*
3333 LB		Diesel		10677	240	326	05.13-	*	*
2636 LB		Diesel		10677	265	360	05.13-	*	*
3336 LB		Diesel		10677	265	360	05.13-	*	*
2640 LB		Diesel		10677	290	394	05.13-	*	*
3340 LB		Diesel		10677	290	394	05.13-	*	*
2643 LB		Diesel		10677	315	428	05.13-	*	*
3343 LB		Diesel		10677	315	428	05.13-	*	*
2646 B		Diesel		10677	335	455	07.15-	*	*
2646 LB		Diesel		10677	335	455	07.15-	*	*
2646 LB		Diesel		10677	335	455	07.15-	*	*
3246 B		Diesel		10677	335	455	07.15-	*	*

LISTA DE APLICACIONES - BUYERS GUIDE

3246 LB		Diesel		10677	335	455	07.15-	*	*
3346 B		Diesel		10677	335	455	07.15-	*	*
3346 LB		Diesel		10677	335	455	07.15-	*	*
3346 LB		Diesel		10677	335	455	07.15-	*	*
4146 B		Diesel		10677	335	455	07.15-	*	*
2642 LB		Diesel		12809	310	421	05.13-	*	*
3342 LB		Diesel		12809	310	421	05.13-	*	*
2645 LB		Diesel		12809	330	449	05.13-	*	*
3345 LB		Diesel		12809	330	449	05.13-	*	*
2648 LB		Diesel		12809	350	476	05.13-	*	*
3348 LB		Diesel		12809	350	476	05.13-	*	*
2651 LB		Diesel		12809	375	510	05.13-	*	*
3351 LB		Diesel		12809	375	510	05.13-	*	*
2653 B		Diesel		12809	390	530	07.15-	*	*
2653 LB		Diesel		12809	390	530	07.15-	*	*
2653 LB		Diesel		12809	390	530	07.15-	*	*
3253 B		Diesel		12809	390	530	07.15-	*	*
3253 LB		Diesel		12809	390	530	07.15-	*	*
3353 B		Diesel		12809	390	530	07.15-	*	*
3353 LB		Diesel		12809	390	530	07.15-	*	*
3353 LB		Diesel		12809	390	530	07.15-	*	*
4153 B		Diesel		12809	390	530	07.15-	*	*
ATEGO 01.98-10.04							Cabeza tractora		
1823 LS (OM 906.920)		Diesel		6374	170	231	04.98-10.04	*	*
1824 LS		Diesel		6374	175	238	04.98-09.04	*	
1826 LS		Diesel		6374	188	256	04.98-09.04	*	
1828 LS (OM 906.921)		Diesel		6374	205	279	04.98-10.04	*	*
1829 LS		Diesel		6374	210	286	04.98-09.04	*	
1833 LS		Diesel		7201	240	326	04.98-09.04	*	
ATEGO 01.98-10.04							Caja/Chasis		
1823, 1823 L (OM 906.920)		Diesel		6374	170	231	01.98-10.04	*	*
1823, 1823 L (OM 906.925)		Diesel		6374	170	231	01.98-10.04	*	*
1823 LL		Diesel		6374	170	231	04.98-09.04	*	
2523 L (OM 906.920)		Diesel		6374	170	231	04.98-10.04	*	*
1824		Diesel		6374	175	238	04.98-09.04	*	
1824 L		Diesel		6374	175	238	04.98-09.04	*	
1824 LL		Diesel		6374	175	238	04.98-09.04	*	
1826		Diesel		6374	188	256	04.98-09.04	*	
1826 L		Diesel		6374	188	256	04.98-09.04	*	
1826 LL		Diesel		6374	188	256	04.98-09.04	*	
1828, 1828 L (OM 906.921)		Diesel		6374	205	279	04.98-10.04	*	*
1828, 1828 L (OM 906.926)		Diesel		6374	205	279	04.98-10.04	*	*
1828 A (OM 906.923)		Diesel		6374	205	279	04.98-10.04	*	*
1828 LL		Diesel		6374	205	279	04.98-09.04	*	
2528 L (OM 906.921)		Diesel		6374	205	279	04.98-10.04	*	*
2528 L (OM 906.926)		Diesel		6374	205	279	04.98-10.04	*	*
2528 L		Diesel		6374	205	279	04.98-10.04	*	
2528 LL		Diesel		6374	205	279	04.98-09.04	*	
2528 LL		Diesel		6374	205	279	04.98-09.04	*	
2628 (OM 906.921)		Diesel		6374	205	279	04.98-10.04	*	*
1829		Diesel		6374	209	284	04.98-09.04	*	

LISTA DE APLICACIONES - BUYERS GUIDE

1829		Diesel		6374	210	286	04.98-09.04	*	
1829 L		Diesel		6374	210	286	04.98-09.04	*	
1829 LL		Diesel		6374	210	286	04.98-09.04	*	
2529 L		Diesel		6374	210	286	04.98-09.04	*	
2529 L		Diesel		6374	210	286	04.98-09.04	*	
2529 LL		Diesel		6374	210	286	04.98-09.04	*	
2529 LL		Diesel		6374	210	286	04.98-09.04	*	
2629		Diesel		6374	210	286	04.98-09.04	*	
1833		Diesel		7201	240	326	04.98-09.04	*	
1833 L		Diesel		7201	240	326	04.98-09.04	*	
1833 LL		Diesel		7201	240	326	04.98-09.04	*	
2533 L		Diesel		7201	240	326	04.98-09.04	*	
2533 L		Diesel		7201	240	326	04.98-09.04	*	
2533 LL		Diesel		7201	240	326	04.98-09.04	*	
2533 LL		Diesel		7201	240	326	04.98-09.04	*	
2633		Diesel		7201	240	326	04.98-09.04	*	
ATEGO 01.98-10.04								Camión volquete	
1823 AK (OM 906.922)		Diesel		6374	170	231	04.98-10.04	*	*
1823 K (OM 906.920)		Diesel		6374	170	231	04.98-10.04	*	*
1824K		Diesel		6374	175	238	04.98-09.04	*	
1826 K		Diesel		6374	188	256	04.98-09.04	*	
1828 AK (OM 906.923)		Diesel		6374	205	279	04.98-10.04	*	*
1828 K (OM 906.921)		Diesel		6374	205	279	04.98-10.04	*	*
2628K (OM 906.921)		Diesel		6374	205	279	04.98-10.04	*	*
1829 K		Diesel		6374	210	286	04.98-09.04	*	
2629K		Diesel		6374	210	286	04.98-09.04	*	
1833 K		Diesel		7201	240	326	04.98-09.04	*	
2633 K		Diesel		7201	240	326	04.98-09.04	*	
ATEGO 01.98-10.04								Hormigonera	
2628B (OM 906.921)		Diesel		6374	205	279	04.98-10.04	*	*
2629 B		Diesel		6374	210	286	04.98-09.04	*	
2633 B		Diesel		7201	240	326	04.98-09.04	*	
ATEGO 2 01.04-								Caja/Chasis	
2422 (OM 924.924)		Diesel		4801	160	218	10.04-	*	*
2425 (OM 906.919)		Diesel		6374	180	245	10.04-	*	*
2425 (OM 906.983)		Diesel		6374	180	245	10.04-	*	*
2425 (OM 906.985)		Diesel		6374	180	245	10.04-	*	*
2425 (OM 906.988)		Diesel		6374	180	245	10.04-	*	*
2425 (OM 906.990)		Diesel		6374	180	245	10.04-	*	*
2226 L (OM 902.917)		Diesel		6374	188	256	10.04-	*	
2428 (OM 906.921)		Diesel		6374	205	279	10.04-	*	*
2428 (OM 906.986)		Diesel		6374	205	279	10.04-	*	*
2529 L (OM 902.915)		Diesel		6374	210	286	10.04-	*	*
2428 (OM 926.941)		Diesel		7201	205	279	10.04-	*	*
ATEGO 3 04.13-								Caja/Chasis	
924, 924 L		Diesel		7698	175	238	04.13-	*	
ATEGO 3 04.13-								Camión volquete	
924 K		Diesel		7698	175	238	04.13-	*	

LISTA DE APLICACIONES - BUYERS GUIDE

ATEGO 3 04.13-					Veh. Municipal			
927 F		Diesel		7698	200	272	04.13-	*
AXOR 09.01-12.05					Cabeza tractora			
1835 LS (OM 457.937)		Diesel		11967	260	354	01.02-10.04	* *
2535 LS (OM 457.937)		Diesel		11967	260	354	01.02-10.04	* *
2535 LS (OM 457.948)		Diesel		11967	260	354	01.02-10.04	* *
1840LS (OM 457.937)		Diesel		11967	295	401	01.02-10.04	* *
2540 LS (OM 457.937)		Diesel		11967	295	401	01.02-10.04	* *
2540 LS (OM 457.948)		Diesel		11967	295	401	01.02-10.04	* *
1843 LS (OM 457.937)		Diesel		11967	315	428	01.02-10.04	* *
2543 LS (OM 457.937)		Diesel		11967	315	428	01.02-10.04	* *
2543 LS (OM 457.948)		Diesel		11967	315	428	01.02-10.04	* *
AXOR 09.01-12.05					Caja/Chasis			
1823 (OM 906.920)		Diesel		6374	170	231	01.02-10.04	* *
2523 (OM 906.920)		Diesel		6374	170	231	01.02-10.04	* *
2623 L (OM 906.920)		Diesel		6374	170	231	01.02-10.04	* *
2528 (OM 906.921)		Diesel		6374	205	279	01.02-10.04	* *
2628 L (OM 906.921)		Diesel		6374	205	279	01.02-10.04	* *
3228 C (OM 906.921)		Diesel		6374	205	279	01.02-10.04	* *
AXOR 09.01-12.05					Camión volquete			
1823 K (OM 906.920)		Diesel		6374	170	231	01.02-10.04	* *
2523 K (OM 906.920)		Diesel		6374	170	231	01.02-10.04	* *
2628K (OM 906.921)		Diesel		6374	205	279	01.02-10.04	*
AXOR 09.01-12.05					Hormigonera			
2628B (OM 906.921)		Diesel		6374	205	279	01.02-10.04	*
AXOR 2 10.04-					Cabeza tractora			
1823 LS, 1824 LS (OM 902.913)		Diesel		6374	170	231	10.04-	* *
1823 LS, 1824 LS (OM 906.920)		Diesel		6374	170	231	10.04-	* *
1826 LS (OM 902.914)		Diesel		6374	188	256	10.04-	* *
1828 LS (OM 906.921)		Diesel		6374	205	279	10.04-	* *
1829 LS (OM 902.915)		Diesel		6374	210	286	10.04-	* *
1833 LS (OM 926.913)		Diesel		7201	240	326	10.04-	* *
1933 S (OM 926.921)		Diesel		7201	240	326	01.11-	* *
1933 S (OM 926.990)		Diesel		7201	240	326	01.11-	* *
1835 LS (OM 457.937)		Diesel		11967	260	354	01.11-	* *
2035 S, 2036 S, LS (OM 457.910)		Diesel		11967	260	354	01.11-	* *
2035 S, 2036 S, LS (OM 457.917)		Diesel		11967	260	354	01.11-	* *
2035 S, 2036 S, LS (OM 457.918)		Diesel		11967	260	354	01.11-	* *
2435 LS		Diesel		11967	260	354	10.04-	*
2535 LS		Diesel		11967	260	354	10.04-	*
2535 S, 2535 LS (OM 457.918)		Diesel		11967	260	354	10.04-	* *
2535 S, 2535 LS (OM 457.981)		Diesel		11967	260	354	10.04-	* *
3335 S (OM 457.962)		Diesel		11967	260	354	09.08-	* *
1836 LS, LLS (OM 457.937)		Diesel		11967	265	360	10.04-	* *
1836 LS, LLS (OM 457.948)		Diesel		11967	265	360	10.04-	* *
1836 LS, LLS (OM 457.980)		Diesel		11967	265	360	10.04-	* *
2436 LS, 2536 LS (OM 457.948)		Diesel		11967	265	360	10.04-	* *
2436 LS, 2536 LS (OM 457.980)		Diesel		11967	265	360	10.04-	* *
1840 LS, LLS (OM 457.937)		Diesel		11967	295	401	10.04-	* *

LISTA DE APLICACIONES - BUYERS GUIDE

1840 LS, LLS (OM 457.948)	Diesel	11967	295	401	10.04-	*	*
1840 LS, LLS (OM 457.955)	Diesel	11967	295	401	10.04-	*	*
1840 LS, LLS (OM 457.980)	Diesel	11967	295	401	10.04-	*	*
2040 S, 2041 S, 2041 S, 2041 LS (OM 457.910)	Diesel	11967	295	401	01.11-	*	*
2040 S, 2041 S, 2041 S, 2041 LS (OM 457.917)	Diesel	11967	295	401	01.11-	*	*
2040 S, 2041 S, 2041 S, 2041 LS (OM 457.918)	Diesel	11967	295	401	01.11-	*	*
2440 LS, 2540 LS (OM 457.948)	Diesel	11967	295	401	10.04-	*	*
2440 LS, 2540 LS (OM 457.981)	Diesel	11967	295	401	10.04-	*	*
2540 LS	Diesel	11967	295	401	10.04-	*	
2540 S, 2541 S, LS (OM 457.918)	Diesel	11967	295	401	10.04-	*	*
2540 S, 2541 S, LS (OM 457.980)	Diesel	11967	295	401	10.04-	*	*
2640 S, 2641 S, LS (OM 457.918)	Diesel	11967	295	401	10.04-	*	*
3340 S, 3341 S (OM 457.910)	Diesel	11967	295	400	06.09-	*	*
3340 S, 3341 S (OM 457.917)	Diesel	11967	295	400	06.09-	*	*
3340 S, 3341 S (OM 457.918)	Diesel	11967	295	400	06.09-	*	*
3340 S, 3341 S (OM 457.962)	Diesel	11967	295	400	06.09-	*	*
1843 LS, LLS (OM 457.937)	Diesel	11967	315	428	10.04-	*	*
1843 LS, LLS (OM 457.948)	Diesel	11967	315	428	10.04-	*	*
1843 LS, LLS (OM 457.980)	Diesel	11967	315	428	10.04-	*	*
2044 S (OM 457.910)	Diesel	11967	315	428	01.11-	*	*
2044 S (OM 457.917)	Diesel	11967	315	428	01.11-	*	*
2044 S (OM 457.918)	Diesel	11967	315	428	01.11-	*	*
2443 LS, 2543 LS (OM 457.948)	Diesel	11967	315	428	10.04-	*	*
2443 LS, 2543 LS (OM 457.980)	Diesel	11967	315	428	10.04-	*	*
2543 S, 2543 LS (OM 457.980)	Diesel	11967	315	428	10.04-	*	*
2644 S, LS (OM 457.918)	Diesel	11967	315	428	10.04-	*	*
2644 S, LS (OM 457.937)	Diesel	11967	315	428	10.04-	*	*
2644 S, LS (OM 457.948)	Diesel	11967	315	428	10.04-	*	*
3343 S (OM 457.910)	Diesel	11967	315	428	01.11-	*	
3343 S (OM 457.917)	Diesel	11967	315	428	01.11-	*	
3343 S (OM 457.918)	Diesel	11967	315	428	01.11-	*	
3343 S	Diesel	11967	315	428	10.04-	*	
2544 S, 2544 LS	Diesel	11967	323	439	10.04-	*	
2644 S, LS	Diesel	11967	323	439	10.04-	*	
AXOR 2 10.04-						Caja/Chasis	
1823, 1823 L, 1824, 1824 L, LL (OM 902.913)	Diesel	6374	170	231	10.04-	*	*
1823, 1823 L, 1824, 1824 L, LL (OM 906.920)	Diesel	6374	170	231	10.04-	*	*
1823 LL	Diesel	6374	170	231	10.04-	*	
2523 (OM 906.920)	Diesel	6374	170	231	01.11-	*	*
2523 L	Diesel	6374	170	231	10.04-	*	
1826, 1826 L, LL (OM 902.914)	Diesel	6374	188	256	10.04-	*	*
1828, 1828 L, 1829, 1829 L, LL (OM 902.915)	Diesel	6374	205	279	10.04-	*	*
1828, 1828 L, 1829, 1829 L, LL (OM 906.921)	Diesel	6374	205	279	10.04-	*	*
1828, 1828 L, 1829, 1829 L, LL (OM 906.926)	Diesel	6374	205	279	10.04-	*	*
1828 A, 1829 A (OM 902.932)	Diesel	6374	205	279	10.04-	*	
1828 A, 1829 A (OM 906.923)	Diesel	6374	205	279	10.04-	*	
1828 A, 1829 A (OM 906.928)	Diesel	6374	205	279	10.04-	*	
2528 L, 2529 L (OM 902.915)	Diesel	6374	205	279	10.04-	*	*
2528 L, 2529 L (OM 906.921)	Diesel	6374	205	279	10.04-	*	*
2528 L, 2529 L (OM 906.926)	Diesel	6374	205	279	10.04-	*	*
2528 L, 2529 L	Diesel	6374	205	279	10.04-	*	

LISTA DE APLICACIONES - BUYERS GUIDE

2628, 2629 (OM 902.915)	Diesel	6374	205	279	10.04-	*	*
2628, 2629 (OM 906.921)	Diesel	6374	205	279	10.04-	*	*
2628, 2629 (OM 906.926)	Diesel	6374	205	279	10.04-	*	*
2628, 2629 (OM 906.995)	Diesel	6374	205	279	10.04-	*	*
3228 (OM 906.921)	Diesel	6374	205	279	01.11-	*	*
1829	Diesel	6374	209	284	10.04-	*	
2831 (OM 926.926)	Diesel	7201	225	305	01.11-	*	
2831 (OM 926.930)	Diesel	7201	225	305	01.11-	*	
2831 (OM 926.932)	Diesel	7201	225	305	01.11-	*	
3131	Diesel	7201	228	310	01.11-	*	
1833, 1833 L, LL (OM 926.913)	Diesel	7201	240	326	10.04-	*	*
1833 A (OM 926.913)	Diesel	7201	240	326	10.04-	*	
1933 (OM 926.921)	Diesel	7201	240	326	10.04-	*	*
1933 (OM 926.990)	Diesel	7201	240	326	10.04-	*	*
2533, 2533 L (OM 926.913)	Diesel	7201	240	326	10.04-	*	*
2533, 2533 L (OM 926.919)	Diesel	7201	240	326	10.04-	*	*
2533, 2533 L (OM 926.921)	Diesel	7201	240	326	10.04-	*	*
2533, 2533 L (OM 926.945)	Diesel	7201	240	326	10.04-	*	*
2533, 2533 L (OM 926.990)	Diesel	7201	240	326	10.04-	*	*
2533, 2533 L	Diesel	7201	240	326	10.04-	*	
2533 LL	Diesel	7201	240	326	10.04-	*	
2533 LL	Diesel	7201	240	326	10.04-	*	
2633 (OM 926.913)	Diesel	7201	240	326	10.04-	*	*
2633 (OM 926.919)	Diesel	7201	240	326	10.04-	*	*
2633 (OM 926.945)	Diesel	7201	240	326	10.04-	*	*
2535 L, 2536 L, 2536 LL (OM 457.937)	Diesel	11967	260	354	10.04-	*	*
2535 L, 2536 L, 2536 LL (OM 457.948)	Diesel	11967	260	354	10.04-	*	*
2535 L, 2536 L, 2536 LL (OM 457.980)	Diesel	11967	260	354	10.04-	*	*
3235 (OM 457.937)	Diesel	11967	260	354	10.04-	*	*
3235 (OM 457.948)	Diesel	11967	260	354	10.04-	*	*
3335 (OM 457.937)	Diesel	11967	260	354	10.04-	*	*
2636 (OM 457.937)	Diesel	11967	265	360	10.04-	*	*
2540 L, LL (OM 457.937)	Diesel	11967	295	401	10.04-	*	*
2540 L, LL (OM 457.948)	Diesel	11967	295	401	10.04-	*	*
2540 L, LL (OM 457.980)	Diesel	11967	295	401	10.04-	*	*
2640 (OM 457.937)	Diesel	11967	295	401	10.04-	*	*
3240 (OM 457.937)	Diesel	11967	295	401	03.05-	*	*
3240 (OM 457.948)	Diesel	11967	295	401	03.05-	*	*
3340, 3341 (OM 457.910)	Diesel	11967	295	401	10.04-	*	*
3340, 3341 (OM 457.917)	Diesel	11967	295	401	10.04-	*	*
3340, 3341 (OM 457.918)	Diesel	11967	295	401	10.04-	*	*
3340, 3341 (OM 457.937)	Diesel	11967	295	401	10.04-	*	*
4140 (OM 457.910)	Diesel	11967	295	401	01.11-	*	
4140 (OM 457.917)	Diesel	11967	295	401	01.11-	*	
4140 (OM 457.918)	Diesel	11967	295	401	01.11-	*	
2543 L, LL (OM 457.937)	Diesel	11967	315	428	10.04-	*	*
2543 L, LL (OM 457.948)	Diesel	11967	315	428	10.04-	*	*
2543 L, LL (OM 457.980)	Diesel	11967	315	428	10.04-	*	*
2643 (OM 457.937)	Diesel	11967	315	428	10.04-	*	*
3243 (OM 457.937)	Diesel	11967	315	428	10.04-	*	*
3243 (OM 457.948)	Diesel	11967	315	428	10.04-	*	*

LISTA DE APLICACIONES - BUYERS GUIDE

3343 (OM 457.937)		Diesel		11967	315	428	10.04-	*	*
4144 (OM 457.910)		Diesel		11967	315	428	01.11-	*	
4144 (OM 457.917)		Diesel		11967	315	428	01.11-	*	
4144 (OM 457.918)		Diesel		11967	315	428	01.11-	*	
3344		Diesel		11967	323	437	10.04-	*	
AXOR 2 10.04-				Camión volquete					
1823 AK, 1824 AK (OM 902.913)		Diesel		6374	170	231	10.04-	*	
1823 AK, 1824 AK (OM 902.930)		Diesel		6374	170	231	10.04-	*	
1823 AK, 1824 AK (OM 906.922)		Diesel		6374	170	231	10.04-	*	
1823 AK, 1824 AK (OM 906.927)		Diesel		6374	170	231	10.04-	*	
1823 K, 1823 KL, 1824 K (OM 902.913)		Diesel		6374	170	231	10.04-	*	*
1823 K, 1823 KL, 1824 K (OM 906.920)		Diesel		6374	170	231	10.04-	*	*
1823 K, 1823 KL, 1824 K (OM 906.925)		Diesel		6374	170	231	10.04-	*	*
1826 AK (OM 902.914)		Diesel		6374	188	256	10.04-	*	
1826 AK (OM 902.931)		Diesel		6374	188	256	10.04-	*	
1826 K (OM 902.914)		Diesel		6374	188	256	10.04-	*	*
1828 AK, 1829 AK (OM 902.932)		Diesel		6374	205	279	10.04-	*	
1828 AK, 1829 AK (OM 906.923)		Diesel		6374	205	279	10.04-	*	
1828 AK, 1829 AK (OM 906.928)		Diesel		6374	205	279	10.04-	*	
1828 K, 1828 KL, 1829 K (OM 902.915)		Diesel		6374	205	279	10.04-	*	*
1828 K, 1828 KL, 1829 K (OM 906.921)		Diesel		6374	205	279	10.04-	*	*
1828 K, 1828 KL, 1829 K (OM 906.926)		Diesel		6374	205	279	10.04-	*	*
2528 K, 2528 KL (OM 906.921)		Diesel		6374	205	279	01.11-	*	*
2628 K, 2629 K (OM 902.915)		Diesel		6374	205	279	10.04-	*	*
2628 K, 2629 K (OM 906.921)		Diesel		6374	205	279	10.04-	*	*
2628 K, 2629 K (OM 906.926)		Diesel		6374	205	279	10.04-	*	*
2828 K (OM 906.930)		Diesel		6374	205	279	10.04-	*	
3028K (OM 906.921)		Diesel		6374	205	279	01.11-	*	*
1829 K		Diesel		6374	210	286	10.04-	*	
1833 AK (OM 926.913)		Diesel		7201	240	326	10.04-	*	
1833 AK (OM 926.917)		Diesel		7201	240	326	10.04-	*	
1833 AK (OM 926.937)		Diesel		7201	240	326	10.04-	*	
1833 K (OM 926.913)		Diesel		7201	240	326	10.04-	*	*
2633 K (OM 926.913)		Diesel		7201	240	326	10.04-	*	*
2633 K (OM 926.919)		Diesel		7201	240	326	10.04-	*	*
2633 K (OM 926.945)		Diesel		7201	240	326	10.04-	*	*
2635K		Diesel		11967	260	354	10.04-	*	
3235K		Diesel		11967	260	354	10.04-	*	
3335 K (OM 457.956)		Diesel		11967	260	354	06.09-	*	*
3335 K (OM 457.957)		Diesel		11967	260	354	06.09-	*	*
3535K (OM 457.937)		Diesel		11967	260	354	06.09-	*	
4135 K (OM 457.956)		Diesel		11967	260	354	06.09-	*	*
4135 K (OM 457.957)		Diesel		11967	260	354	06.09-	*	*
2636K (OM 457.937)		Diesel		11967	265	360	10.04-	*	*
2636K (OM 457.948)		Diesel		11967	265	360	10.04-	*	*
2636K (OM 457.956)		Diesel		11967	265	360	10.04-	*	*
2636K (OM 457.957)		Diesel		11967	265	360	10.04-	*	*
2636K (OM 457.980)		Diesel		11967	265	360	10.04-	*	*
2636K (OM 457.981)		Diesel		11967	265	360	10.04-	*	*
3236 K (OM 457.956)		Diesel		11967	265	360	10.04-	*	*
3236 K (OM 457.957)		Diesel		11967	265	360	10.04-	*	*

LISTA DE APLICACIONES - BUYERS GUIDE

3236 K (OM 457.980)		Diesel		11967	265	360	10.04-	*	*
3236 K (OM 457.981)		Diesel		11967	265	360	10.04-	*	*
3336K		Diesel		11967	265	360	10.04-	*	
4136 K		Diesel		11967	265	360	10.04-	*	
2640 K (OM 457.956)		Diesel		11967	295	401	10.04-	*	*
2640 K (OM 457.957)		Diesel		11967	295	401	10.04-	*	*
2640 K (OM 457.980)		Diesel		11967	295	401	10.04-	*	*
2640 K (OM 457.981)		Diesel		11967	295	401	10.04-	*	*
3240 K (OM 457.956)		Diesel		11967	295	401	10.04-	*	*
3240 K (OM 457.957)		Diesel		11967	295	401	10.04-	*	*
3340 K, 3341 K (OM 457.910)		Diesel		11967	295	401	10.04-	*	*
3340 K, 3341 K (OM 457.917)		Diesel		11967	295	401	10.04-	*	*
3340 K, 3341 K (OM 457.918)		Diesel		11967	295	401	10.04-	*	*
3340 K, 3341 K (OM 457.937)		Diesel		11967	295	401	10.04-	*	*
3340 K, 3341 K (OM 457.956)		Diesel		11967	295	401	10.04-	*	*
3340 K, 3341 K (OM 457.957)		Diesel		11967	295	401	10.04-	*	*
4140 K (OM 457.956)		Diesel		11967	295	401	06.09-	*	*
4140 K (OM 457.957)		Diesel		11967	295	401	06.09-	*	*
2643 K (OM 457.956)		Diesel		11967	315	428	10.04-	*	*
2643 K (OM 457.957)		Diesel		11967	315	428	10.04-	*	*
2643 K (OM 457.980)		Diesel		11967	315	428	10.04-	*	*
2643 K (OM 457.981)		Diesel		11967	315	428	10.04-	*	*
3243 K (OM 457.956)		Diesel		11967	315	428	10.04-	*	*
3243 K (OM 457.957)		Diesel		11967	315	428	10.04-	*	*
3243 K (OM 457.980)		Diesel		11967	315	428	10.04-	*	*
3243 K (OM 457.981)		Diesel		11967	315	428	10.04-	*	*
3343 K (OM 457.910)		Diesel		11967	315	428	01.11-	*	*
3343 K (OM 457.917)		Diesel		11967	315	428	01.11-	*	*
3343 K (OM 457.918)		Diesel		11967	315	428	01.11-	*	*
3343 K		Diesel		11967	315	428	10.04-	*	
3344 K (OM 457.910)		Diesel		11967	315	428	01.11-	*	*
3344 K (OM 457.917)		Diesel		11967	315	428	01.11-	*	*
3344 K (OM 457.918)		Diesel		11967	315	428	01.11-	*	*
3344 K (OM 457.956)		Diesel		11967	315	428	01.11-	*	*
3344 K (OM 457.957)		Diesel		11967	315	428	01.11-	*	*
4143 K (OM 457.956)		Diesel		11967	315	428	01.11-	*	*
4143 K (OM 457.957)		Diesel		11967	315	428	01.11-	*	*
4143 K (OM 457.956)		Diesel		11967	315	428	06.09-	*	*
4143 K (OM 457.957)		Diesel		11967	315	428	06.09-	*	*
AXOR 2 10.04-									Hormigonera
2628 B, 2629 B (OM 902.915)		Diesel		6374	205	279	10.04-	*	*
2628 B, 2629 B (OM 906.921)		Diesel		6374	205	279	10.04-	*	*
2628 B, 2629 B (OM 906.926)		Diesel		6374	205	279	10.04-	*	*
3028B (OM 906.921)		Diesel		6374	205	279	01.11-	*	*
2633 B (OM 926.913)		Diesel		7201	240	326	10.04-	*	*
2633 B (OM 926.919)		Diesel		7201	240	326	10.04-	*	*
2633 B (OM 926.945)		Diesel		7201	240	326	10.04-	*	*
2635 B (OM 457.956)		Diesel		11967	260	354	10.05-	*	*
2635 B (OM 457.957)		Diesel		11967	260	354	10.05-	*	*
2635 B (OM 457.980)		Diesel		11967	260	354	10.05-	*	*
2635 B (OM 457.981)		Diesel		11967	260	354	10.05-	*	*

LISTA DE APLICACIONES - BUYERS GUIDE

3235 B		Diesel		11967	260	354	10.04-	*	
3335 B (OM 457.956)		Diesel		11967	260	354	10.04-10.05	*	*
3335 B (OM 457.957)		Diesel		11967	260	354	10.04-10.05	*	*
4135 B (OM 457.956)		Diesel		11967	260	354	10.05-	*	*
4135 B (OM 457.957)		Diesel		11967	260	354	10.05-	*	*
2636 B (OM 457.937)		Diesel		11967	265	360	10.04-	*	*
2636 B (OM 457.948)		Diesel		11967	265	360	10.04-	*	*
3236 B (OM 457.956)		Diesel		11967	265	360	10.04-	*	*
3236 B (OM 457.957)		Diesel		11967	265	360	10.04-	*	*
3236 B (OM 457.980)		Diesel		11967	265	360	10.04-	*	*
3236 B (OM 457.981)		Diesel		11967	265	360	10.04-	*	*
3336 B		Diesel		11967	265	360	10.04-	*	
4136 B		Diesel		11967	265	360	10.04-	*	
2640 B (OM 457.956)		Diesel		11967	295	401	10.04-	*	*
2640 B (OM 457.957)		Diesel		11967	295	401	10.04-	*	*
2640 B (OM 457.980)		Diesel		11967	295	401	10.04-	*	*
2640 B (OM 457.981)		Diesel		11967	295	401	10.04-	*	*
3240 B (OM 457.956)		Diesel		11967	295	401	10.04-	*	*
3240 B (OM 457.957)		Diesel		11967	295	401	10.04-	*	*
3240 B (OM 457.980)		Diesel		11967	295	401	10.04-	*	*
3240 B (OM 457.981)		Diesel		11967	295	401	10.04-	*	*
3340 B (OM 457.956)		Diesel		11967	295	401	10.04-10.05	*	*
3340 B (OM 457.957)		Diesel		11967	295	401	10.04-10.05	*	*
4140 B (OM 457.956)		Diesel		11967	295	401	01.11-	*	*
4140 B (OM 457.957)		Diesel		11967	295	401	01.11-	*	*
2643 B (OM 457.956)		Diesel		11967	315	428	10.04-	*	*
2643 B (OM 457.957)		Diesel		11967	315	428	10.04-	*	*
2643 B (OM 457.980)		Diesel		11967	315	428	10.04-	*	*
2643 B (OM 457.981)		Diesel		11967	315	428	10.04-	*	*
3243 B (OM 457.956)		Diesel		11967	315	428	10.04-	*	*
3243 B (OM 457.957)		Diesel		11967	315	428	10.04-	*	*
3243 B (OM 457.980)		Diesel		11967	315	428	10.04-	*	*
3243 B (OM 457.981)		Diesel		11967	315	428	10.04-	*	*
3343 B (OM 457.956)		Diesel		11967	315	428	10.04-	*	*
3343 B (OM 457.957)		Diesel		11967	315	428	10.04-	*	*
4143 B (OM 457.956)		Diesel		11967	315	428	01.11-	*	*
4143 B (OM 457.957)		Diesel		11967	315	428	01.11-	*	*
CAPACITY 04.07-							Bus		
CAPACITY (OM 457.950)		Diesel		11967	260	354	04.07-	*	*
CAPACITY (OM 457.973)		Diesel		11967	260	354	04.07-	*	*
DCA							Grupo muelle neumático		
DCA							01.53-	*	
DLS							Grupo muelle neumático		
DLS 10Loch							01.53-	*	
DLS 8 Loch							01.53-	*	
ECONIC 01.98-							Cabeza tractora		
1829 LS (OM 902.927)		Diesel		6374	210	286	10.07-	*	*
1833 LS (OM 926.934)		Diesel		7201	240	326	10.07-	*	*
ECONIC 01.98-							Cabeza tractora		
1828 LS (M 902.903)		Gasolina		6883	205	279	10.04-	*	*

LISTA DE APLICACIONES - BUYERS GUIDE

ECONIC 01.98-					Caja/Chasis				
1823 LL		Diesel		6374	170	231	08.98-12.13	*	*
1824 LL		Diesel		6374	175	238	08.98-12.13	*	*
1828 LL		Diesel		6374	205	279	08.98-12.13	*	*
2628 LL		Diesel		6374	205	279	08.98-12.13	*	*
2628 LL		Diesel		6374	205	279	08.98-12.13	*	*
1829 LL		Diesel		6374	210	286	08.98-12.13	*	*
2629 LL		Diesel		6374	210	286	08.98-12.13	*	*
2629 LL		Diesel		6374	210	286	08.98-12.13	*	*
1833 LL		Diesel		7201	240	326	08.98-12.13	*	*
2633 LL		Diesel		7201	240	326	08.98-12.13	*	*
2633 LL		Diesel		7201	240	326	08.98-12.13	*	*
3233 LL		Diesel		7201	240	326	08.98-12.13	*	*
ECONIC 01.98-					Caja/Chasis				
1828 LL CNG		Gasolina		6883	205	279	08.98-12.13	*	*
2628 L (M 906.900)		Gasolina		6883	205	279	10.00-	*	*
2628 LL CNG		Gasolina		6883	205	279	08.98-12.13	*	*
ECONIC 01.98-					Veh. Municipal				
1823 L, 1823 LL (OM 906.924)		Diesel		6374	170	231	03.98-	*	*
1823 L, 1823 LL (OM 906.940)		Diesel		6374	170	231	03.98-	*	*
1823 L, 1823 LL (OM 906.951)		Diesel		6374	170	231	03.98-	*	*
1824 L, 1824 LL (OM 902.933)		Diesel		6374	175	238	10.06-	*	*
2624 L (OM 902.933)		Diesel		6374	175	238	03.98-	*	*
1828 L, 1828 LL (OM 906.941)		Diesel		6374	205	279	03.98-	*	*
1828 L, 1828 LL (OM 906.952)		Diesel		6374	205	279	03.98-	*	*
2628 LL (OM 906.941)		Diesel		6374	205	279	03.98-	*	*
2628 LL (OM 906.952)		Diesel		6374	205	279	03.98-	*	*
2628 LL (OM 906.941)		Diesel		6374	205	279	01.98-	*	*
2628 LL (OM 906.952)		Diesel		6374	205	279	01.98-	*	*
1829 L, 1829 LL (OM 902.927)		Diesel		6374	210	286	10.06-	*	*
2629 L, 2629 LL (OM 902.927)		Diesel		6374	210	286	10.01-	*	*
2629 L, 2629 LL (OM 902.927)		Diesel		6374	210	286	10.01-	*	*
2633 LL		Diesel		6374	240	326	10.07-	*	*
1833 L, 1833 LL (OM 926.924)		Diesel		7201	240	326	10.06-	*	*
1833 L, 1833 LL (OM 926.934)		Diesel		7201	240	326	10.06-	*	*
2633 L (OM 926.921)		Diesel		7201	240	326	10.01-	*	*
2633 L (OM 926.934)		Diesel		7201	240	326	10.01-	*	*
2633 L, 2633 LL (OM 926.924)		Diesel		7201	240	326	10.07-	*	*
2633 L, 2633 LL (OM 926.934)		Diesel		7201	240	326	10.07-	*	*
3233 L, 3233 LL (OM 926.934)		Diesel		7201	240	326	10.07-	*	*
ECONIC 01.98-					Veh. Municipal				
1828 L (M 906.900)		Gasolina		6883	205	279	10.00-	*	*
1828 L, 1828 LL (M 902.900)		Gasolina		6883	205	279	10.06-	*	*
1828 L, 1828 LL (M 902.903)		Gasolina		6883	205	279	10.06-	*	*
1828 LLS		Gasolina		6883	205	279	10.00-	*	*
2628 L (M 902.900)		Gasolina		6883	205	279	10.00-	*	*
2628 L (M 902.903)		Gasolina		6883	205	279	10.00-	*	*
2628 L (M 906.900)		Gasolina		6883	205	279	10.01-	*	*
ECONIC 2 04.13-					Caja/Chasis				
2627 LL		Diesel		7698	200	299	09.17-	*	*

LISTA DE APLICACIONES - BUYERS GUIDE

3235 LL		Diesel		7698	260	354	08.18-	*		
F							Eje máquina tractora			
F-7,5/C22.5							01.53-	*		
F-8A/C22.5							01.53-	*		
F-9/C22.5							01.53-	*		
HD							Eje máquina tractora			
HD4/020DC-10							01.53-	*		
HD4/020DCG-10							01.53-	*		
HD7/050DCGS-11,5							01.53-	*		
HD7/050DCGS-13							01.53-	*		
HD7/050DCGS-16							01.53-	*		
HD7/055DCGS-13							01.53-	*		
HD7/058DCGS-13							01.53-	*		
HD7/51DCGS-13							01.53-	*		
HD7/55DCGS-13							01.53-	*		
HD7/5DG-10							01.53-	*		
HL							Eje máquina tractora			
HL4/050DC-11,5							01.53-	*		
HL4/051DC-11,5							01.53-	*		
HL6/1DC-13							01.53-	*		
HL6/20DCS-13							01.53-	*		
HL6/3DCL-13							01.53-	*		
HL7/025DC-13							01.53-	*		
HL7/050DCS-11,5							01.53-	*		
HL7/050DCS-13							01.53-	*		
HL7/050DCS-16							01.53-	*		
HL7/051DCS-13							01.53-	*		
HL7/055DCS-13							01.53-	*		
HL7/058DCS-13							01.53-	*		
HL7/51DCS-11,5							01.53-	*		
HL7/55DCS-13							01.53-	*		
HL8/1DCS-13							01.53-	*		
HO							Eje máquina tractora			
HO4/08DCL-11,5							01.53-	*		
HO6/1DCL-13							01.53-	*		
HO6/2DCL-13							01.53-	*		
HO6/4DCL-13							01.53-	*		
HO6/5DCL-13							01.53-	*		
HO6/6DCL-13							01.53-	*		
HO7/03DCL-12,3							01.53-	*		
HO8/1DCL-13							01.53-	*		
INTOURO 01.05-							Bus			
Intouro, Intouro E, Intouro M, Intouro ME (OM 926.939)		Diesel		7201	210	286	01.05-	*	*	
Intouro		Diesel		7698	220	299	11.13-	*	*	
Intouro, Intouro E, Intouro M, Intouro ME (OM 457.965)		Diesel		11967	220	299	01.05-	*	*	
Intouro, Intouro E, Intouro M, Intouro ME (OM 457.965)		Diesel		11967	260	354	01.05-	*	*	
Intouro, Intouro E, Intouro M, Intouro ME (OM 457.965)		Diesel		11967	300	408	01.05-	*	*	

LISTA DE APLICACIONES - BUYERS GUIDE

MK 12.87-12.05					Caja/Chasis			
1827,1827 L (OM 401.973)	Diesel		9570	200	272	12.87-09.96	*	
1827,1827 L (OM 401.977)	Diesel		9570	200	272	12.87-09.96	*	
1827,1827 L (OM 401.991)	Diesel		9570	200	272	12.87-09.96	*	
2527 L (OM 401.973)	Diesel		9570	200	272	09.92-09.96	*	*
2527 L (OM 401.977)	Diesel		9570	200	272	09.92-09.96	*	*
2527 L (OM 401.979)	Diesel		9570	200	272	09.92-09.96	*	*
1827,1827 L (OM 445.926)	Diesel		10964	200	272	12.87-09.96	*	
1827,1827 L (OM 445.936)	Diesel		10964	200	272	12.87-09.96	*	
2527 (OM 445.926)	Diesel		10964	200	272	01.94-09.96	*	*
2527 L (OM 445.926)	Diesel		10964	200	272	01.94-09.96	*	*
2527 L (OM 445.929)	Diesel		10964	200	272	01.94-09.96	*	*
2527 L (OM 445.936)	Diesel		10964	200	272	01.94-09.96	*	*
2527 L (OM 445.940)	Diesel		10964	200	272	01.94-09.96	*	*
2433,2433 L, 2434 L (OM 441.960)	Diesel		10964	243	330	12.87-09.96	*	*
2433,2433 L, 2434 L (OM 441.962)	Diesel		10964	243	330	12.87-09.96	*	*
2433,2433 L, 2434 L (OM 441.981)	Diesel		10964	243	330	12.87-09.96	*	*
2433,2433 L, 2434 L (OM 441.983)	Diesel		10964	243	330	12.87-09.96	*	*
2433,2433 L, 2434 L (OM 441.986)	Diesel		10964	243	330	12.87-09.96	*	*
2433,2433 L, 2434 L (OM 441.989)	Diesel		10964	243	330	12.87-09.96	*	*
2433,2433 L, 2434 L (OM 445.920)	Diesel		10964	243	330	12.87-09.96	*	*
2433,2433 L, 2434 L (OM 445.939)	Diesel		10964	243	330	12.87-09.96	*	*
2534,2534 L (OM 441.986)	Diesel		10964	250	340	12.87-09.96	*	*
2534,2534 L (OM 441.987)	Diesel		10964	250	340	12.87-09.96	*	*
2534,2534 L (OM 441.989)	Diesel		10964	250	340	12.87-09.96	*	*
2534,2534 L (OM 441.991)	Diesel		10964	250	340	12.87-09.96	*	*
2534,2534 L (OM 445.920)	Diesel		10964	250	340	12.87-09.96	*	*
2534,2534 L (OM 445.921)	Diesel		10964	250	340	12.87-09.96	*	*
2534,2534 L (OM 445.922)	Diesel		10964	250	340	12.87-09.96	*	*
NL					Eje máquina tractora			
NL4/50DCL-7,5						01.53-		*
NR					Eje máquina tractora			
NR4/24DL-10						01.53-		*
NR4/30DC-10						01.53-		*
NR4/50DCL-10,5						01.53-		*
NR4/51DC-7,5						01.53-		*
NR4/52DC-8,5						01.53-		*
NR4/55D-10						01.53-		*
NR4/55DC-10						01.53-		*
NR4/58DC-10						01.53-		*
NR5/10DCL-9 Hendrickson						01.53-		*
NR5/10DCL-9 SchmitzCargobull						01.53-		*
NS					Eje máquina tractora			
NS4/50DC-10						01.53-		*
NS4/50DCL-7,5						01.53-		*
O 340 01.91-12.95					Bus			
O 340 (OM 402.984)	Diesel		12763	280	381	01.91-12.95	*	
O 345 CONECTO (O 345) 11.01-					Bus			
CONECTO 12M (OM 902.925)	Diesel		6374	205	279	11.01-	*	*

LISTA DE APLICACIONES - BUYERS GUIDE

CONECTO 12M (OM 906.961)	Diesel	6374	205	279	11.01-	*	*	
CONECTO C, H, UE (OM 906.960)	Diesel	6374	205	279	11.01-	*	*	
CONECTO 12M (OM 926.939)	Diesel	7201	210	286	11.01-	*	*	
CONECTO 12M (OM 447.949)	Diesel	11967	157	214	11.01-	*	*	
CONECTO C, H, M, UE (OM 447.949)	Diesel	11967	157	214	11.01-	*	*	
CONECTO 18M (OM 457.943)	Diesel	11967	185	252	11.01-	*	*	
CONECTO C, H, M, UE (OM 457.942)	Diesel	11967	185	252	11.01-	*	*	
CONECTO C, H, M, UE (OM 457.942)	Diesel	11967	185	252	11.01-	*	*	
CONECTO 12M (OM 457.967)	Diesel	11967	220	299	11.01-	*	*	
CONECTO 18M	Diesel	11967	220	299	11.01-	*	*	
CONECTO C, H, M, UE (OM 457.942)	Diesel	11967	220	299	11.01-	*	*	
CONECTO C, H, M, UE (OM 457.942)	Diesel	11967	220	299	11.01-	*	*	
CONECTO 12M (OM 457.951)	Diesel	11967	260	354	11.01-	*	*	
CONECTO 18M (OM 457.951)	Diesel	11967	260	354	11.01-	*	*	
CONECTO 18M (OM 457.975)	Diesel	11967	260	354	11.01-	*	*	
CONECTO C, H, M, UE (OM 457.942)	Diesel	11967	260	354	11.01-	*	*	
CONECTO C, H, M, UE (OM 457.942)	Diesel	11967	260	354	11.01-	*	*	
O 350 TOURISMO (O 350) 09.94-							Bus	
Tourismo RHD, SHD (OM 441.980)	Diesel	10964	250	340	08.95-	*	*	
Tourismo RHD, SHD (OM 445.934)	Diesel	10964	250	340	08.95-	*	*	
Tourismo 15 RHD (OM 457.941)	Diesel	11967	185	252	01.03-	*	*	
Tourismo 15 RHD (OM 457.941)	Diesel	11967	220	299	01.03-	*	*	
Tourismo 15 RHD (OM 457.952)	Diesel	11967	220	299	01.03-	*	*	
Tourismo 15 RHD (OM 457.965)	Diesel	11967	220	299	01.03-	*	*	
Tourismo 16 RHD (OM 457.952)	Diesel	11967	220	299	01.03-	*	*	
Tourismo 16 RHD (OM 457.965)	Diesel	11967	220	299	01.03-	*	*	
Tourismo 15 RHD (OM 457.941)	Diesel	11967	260	354	01.03-	*	*	
Tourismo 15 RHD (OM 457.953)	Diesel	11967	260	354	01.03-	*	*	
Tourismo 15 RHD (OM 457.961)	Diesel	11967	260	354	01.03-	*	*	
Tourismo 15 RHD (OM 457.965)	Diesel	11967	260	354	01.03-	*	*	
Tourismo 15 SHD (OM 457.944)	Diesel	11967	260	354	01.03-	*	*	
Tourismo 15 SHD (OM 457.953)	Diesel	11967	260	354	01.03-	*	*	
Tourismo 16 RHD (OM 457.944)	Diesel	11967	260	354	01.03-	*	*	
Tourismo 16 RHD (OM 457.952)	Diesel	11967	260	354	01.03-	*	*	
Tourismo 16 RHD (OM 457.961)	Diesel	11967	260	354	01.03-	*	*	
Tourismo 16 RHD (OM 457.965)	Diesel	11967	260	354	01.03-	*	*	
Tourismo 16 RHD (OM 457.944)	Diesel	11967	260	354	01.03-	*	*	
Tourismo 16 RHD (OM 457.953)	Diesel	11967	260	354	01.03-	*	*	
Tourismo 16 RHD (OM 457.961)	Diesel	11967	260	354	01.03-	*	*	
Tourismo 17 RHD (OM 457.944)	Diesel	11967	260	354	01.03-	*	*	
Tourismo 17 RHD (OM 457.953)	Diesel	11967	260	354	01.03-	*	*	
Tourismo 17 RHD (OM 457.961)	Diesel	11967	260	354	01.03-	*	*	
Tourismo RHD, SHD (OM 457.944)	Diesel	11967	260	354	09.03-	*	*	
Tourismo 15 RHD (OM 457.952)	Diesel	11967	300	408	01.03-	*	*	
Tourismo 15 RHD (OM 457.965)	Diesel	11967	300	408	01.03-	*	*	
Tourismo 15 SHD (OM 457.944)	Diesel	11967	310	422	01.03-	*	*	
Tourismo 16 RHD (OM 457.944)	Diesel	11967	310	422	01.03-	*	*	
Tourismo 16 RHD (OM 457.953)	Diesel	11967	310	422	01.03-	*	*	
Tourismo 17 RHD (OM 457.944)	Diesel	11967	310	422	01.03-	*	*	
Tourismo RHD, SHD (OM 457.944)	Diesel	11967	310	422	09.03-	*	*	
Tourismo 16 RHD (OM 457.953)	Diesel	11967	315	428	01.03-	*	*	

LISTA DE APLICACIONES - BUYERS GUIDE

Tourismo 16 RHD (OM 457.961)		Diesel		11967	315	428	01.03-	*	*
Tourismo 17 RHD (OM 457.953)		Diesel		11967	315	428	01.03-	*	*
Tourismo 17 RHD (OM 457.961)		Diesel		11967	315	428	01.03-	*	*
Tourismo 15 RHD (OM 457.961)		Diesel		11967	335	456	01.03-	*	*
Tourismo 16 RHD (OM 457.961)		Diesel		11967	335	456	01.03-	*	*
Tourismo 17 RHD (OM 457.961)		Diesel		11967	335	456	01.03-	*	*
Tourismo 17 RHD (OM 542.948)		Diesel		15928	320	435	01.03-	*	*
Tourismo 16 RHD (OM 542.966)		Diesel		15928	350	476	01.03-	*	*
Tourismo 17 RHD (OM 542.948)		Diesel		15928	350	476	01.03-	*	*
Tourismo 17 RHD (OM 542.966)		Diesel		15928	350	476	01.03-	*	*
Tourismo 16 RHD (OM 542.966)		Diesel		15928	370	503	01.03-	*	*
Tourismo 17 RHD (OM 542.948)		Diesel		15928	370	503	01.03-	*	*
Tourismo 17 RHD (OM 542.966)		Diesel		15928	370	503	01.03-	*	*
O 403 01.95-12.06								Bus	
O 403 SHD (OM 441.980)		Diesel		10964	250	340	01.03-	*	
O 403 SHD (OM 445.934)		Diesel		10964	250	340	01.03-	*	
O 403 SHD (OM 457.944)		Diesel		11967	260	354	09.03-	*	*
O 403 SHD (OM 457.944)		Diesel		11967	310	422	09.03-	*	*
O 403 RHD (OM 402.970)		Diesel		12763	280	381	09.03-	*	
O 403 RHD		Diesel		14618	280	381	01.03-	*	
O 404 01.91-12.99								Bus	
O 404 (OM 442.996)		Diesel		14618	370	503	01.91-12.99	*	
O 500 TOURO (O 500) 01.96-								Bus	
O 500 M (OM 906.918)		Diesel		6374	180	245	01.01-	*	*
O 500 M (OM 906.975)		Diesel		6374	180	245	01.01-	*	*
O 500 M (OM 906.983)		Diesel		6374	180	245	01.01-	*	*
O 500 M (OM 906.988)		Diesel		6374	180	245	01.01-	*	*
O 500 U (OM 906.918)		Diesel		6374	180	245	01.01-	*	
O 500 U (OM 906.988)		Diesel		6374	180	245	01.01-	*	
O 500		Diesel		6374	205	279	01.01-	*	*
O 500 M (OM 906.933)		Diesel		6374	209	284	01.01-	*	
O 500 M (OM 926.996)		Diesel		7201	188	256	01.96-	*	
O 500 U (OM 926.996)		Diesel		7201	188	256	01.01-	*	
O 500 R		Diesel		7201	224	305	01.01-	*	*
O 500 U		Diesel		7201	224	305	01.01-	*	*
O 500 R (OM 926.926)		Diesel		7201	225	306	01.01-	*	
O 500 U (OM 926.926)		Diesel		7201	225	306	01.01-	*	*
O 500 R (OM 926.910)		Diesel		7201	240	326	01.01-	*	*
Touro (OM 457.944)		Diesel		11967	260	354	10.01-	*	
O 500		Diesel		11967	265	360	01.01-	*	*
O 500		Diesel		11967	265	360	01.01-	*	*
O 500 GL, GLE (OM 457.915)		Diesel		11967	265	360	01.01-	*	*
O 500 RSD (OM 457.916)		Diesel		11967	265	360	01.01-	*	*
O 500 RSD (OM 457.932)		Diesel		11967	265	360	01.01-	*	*
O 500		Diesel		11967	295	401	01.01-	*	*
O 500		Diesel		11967	295	401	01.01-	*	*
O 500 RSD (OM 457.927)		Diesel		11967	295	401	01.01-	*	*
Touro (OM 457.944)		Diesel		11967	310	422	10.01-	*	
O 520 CITO (O 520) 09.98-								Bus	
130 kW (OM 904.942)		Diesel		4249	130	177	06.99-	*	*

LISTA DE APLICACIONES - BUYERS GUIDE

O 530 CITARO (O 530) 01.98-								Bus	
Citaro N (OM 906.931)	Diesel		6374	170	231	01.98-	*	*	
Citaro N (OM 909.900)	Diesel		6374	170	231	01.98-	*	*	
Citaro N (OM 909.911)	Diesel		6374	170	231	01.98-	*	*	
Citaro N (OM 906.962)	Diesel		6374	180	245	04.99-	*	*	
Citaro N (OM 906.963)	Diesel		6374	180	245	04.99-	*	*	
Citaro G	Diesel		6374	185	252	01.98-	*	*	
Citaro G (OM 906.930)	Diesel		6374	205	279	01.99-	*	*	
Citaro G (OM 906.960)	Diesel		6374	205	279	01.99-	*	*	
Citaro G (OM 906.961)	Diesel		6374	205	279	01.99-	*	*	
Citaro G (OM 909.901)	Diesel		6374	205	279	01.99-	*	*	
Citaro G (OM 909.921)	Diesel		6374	205	279	01.99-	*	*	
Citaro N (OM 906.930)	Diesel		6374	205	279	01.98-	*	*	
Citaro N (OM 906.960)	Diesel		6374	205	279	01.98-	*	*	
Citaro N (OM 906.961)	Diesel		6374	205	279	01.98-	*	*	
Citaro N (OM 909.901)	Diesel		6374	205	279	01.98-	*	*	
Citaro N (OM 909.921)	Diesel		6374	205	279	01.98-	*	*	
Citaro N (OM 906.930)	Diesel		6374	205	279	01.99-	*	*	
Citaro N (OM 906.960)	Diesel		6374	205	279	01.99-	*	*	
Citaro N (OM 909.901)	Diesel		6374	205	279	01.99-	*	*	
Citaro N (OM 909.921)	Diesel		6374	205	279	01.99-	*	*	
Citaro, Citaro MUE (OM 902.926)	Diesel		6374	210	286	01.98-	*	*	
Citaro, Citaro MUE (OM 902.934)	Diesel		6374	210	286	01.98-	*	*	
Citaro C	Diesel		7201	210	286	05.99-	*		
Citaro Ü	Diesel		7700	220	299	05.12-	*		
Citaro Ü	Diesel		10677	265	360	05.12-	*		
Citaro N (OM 457.942)	Diesel		11967	185	252	01.98-	*	*	
Citaro G, Citaro GN3, Citaro LÜ (OM 457.943)	Diesel		11967	220	299	01.98-	*		
Citaro G, Citaro GN3, Citaro LÜ (OM 457.950)	Diesel		11967	220	299	01.98-	*		
Citaro G, Citaro GN3, Citaro LÜ (OM 457.959)	Diesel		11967	220	299	01.98-	*		
Citaro G, Citaro GN3, Citaro LÜ (OM 457.973)	Diesel		11967	220	299	01.98-	*		
Citaro N, Citaro MUE (OM 457.934)	Diesel		11967	220	299	01.98-	*	*	
Citaro N, Citaro MUE (OM 457.942)	Diesel		11967	220	299	01.98-	*	*	
Citaro N, Citaro MUE (OM 457.949)	Diesel		11967	220	299	01.98-	*	*	
Citaro N, Citaro MUE (OM 457.950)	Diesel		11967	220	299	01.98-	*	*	
Citaro N, Citaro MUE (OM 457.959)	Diesel		11967	220	299	01.98-	*	*	
Citaro N, Citaro MUE (OM 457.973)	Diesel		11967	220	299	01.98-	*	*	
Citaro G, Citaro LÜ (OM 457.950)	Diesel		11967	260	354	01.98-	*		
Citaro G, Citaro LÜ (OM 457.959)	Diesel		11967	260	354	01.98-	*		
Citaro G, Citaro LÜ (OM 457.973)	Diesel		11967	260	354	01.98-	*		
Citaro N, Citaro MUE (OM 457.942)	Diesel		11967	260	354	01.98-	*	*	
Citaro N, Citaro MUE (OM 457.950)	Diesel		11967	260	354	01.98-	*	*	
Citaro N, Citaro MUE (OM 457.951)	Diesel		11967	260	354	01.98-	*	*	
Citaro N, Citaro MUE (OM 457.957)	Diesel		11967	260	354	01.98-	*	*	
Citaro N, Citaro MUE (OM 457.959)	Diesel		11967	260	354	01.98-	*	*	
Citaro N, Citaro MUE (OM 457.973)	Diesel		11967	260	354	01.98-	*	*	
O 530 CITARO (O 530) 01.98-								Bus	
Citaro NG (M 476.932)	Gasolina		11967	185	252	06.00-	*	*	
Citaro NG (M 476.933)	Gasolina		11967	185	252	06.00-	*	*	
Citaro NG (M 476.934)	Gasolina		11967	185	252	06.00-	*	*	
Citaro GNG (M 476.930)	Gasolina		11967	240	326	04.00-	*	*	

LISTA DE APLICACIONES - BUYERS GUIDE

Citaro NG (M 476.930)	Gasolina	11967	240	326	04.00-	*	*
Citaro NG (M 476.933)	Gasolina	11967	240	326	04.00-	*	*
Citaro NG (M 476.934)	Gasolina	11967	240	326	04.00-	*	*
O 530 CITARO (O 530) 01.98-						Bus	
Citaro BZ	Mixto	0	225	306	01.02-	*	*
O 550 INTEGRO (O 550) 09.96-						Bus	
Integro, Integro M (OM 926.939)	Diesel	7201	210	286	01.06-	*	
Integro L (OM 926.939)	Diesel	7201	210	286	01.06-	*	*
Integro	Diesel	7698	220	299	02.13-	*	*
Integro	Diesel	7698	260	354	02.13-	*	*
Integro, Integro M (OM 457.952)	Diesel	11967	220	299	01.06-	*	*
Integro, Integro M (OM 457.964)	Diesel	11967	220	299	01.06-	*	*
Integro L (OM 457.952)	Diesel	11967	220	300	01.06-	*	*
Integro L (OM 457.965)	Diesel	11967	220	300	01.06-	*	*
Integro, Integro M (OM 457.952)	Diesel	11967	260	354	01.06-	*	*
Integro, Integro M (OM 457.965)	Diesel	11967	260	354	01.06-	*	*
Integro L (OM 457.952)	Diesel	11967	260	354	01.06-	*	*
Integro	Diesel	11967	300	408	01.06-	*	*
Integro L (OM 457.952)	Diesel	11967	300	408	01.06-	*	*
O 580 TRAVEGO (O 580) 10.99-						Bus	
O 580-15 RH (OM 457.941)	Diesel	11967	185	252	10.99-	*	
O 580-15 RH	Diesel	11967	220	299	01.99-12.06	*	*
O 580-15 RH/RHD (OM 457.940)	Diesel	11967	260	354	10.99-	*	*
O 580-15 RH/RHD (OM 457.944)	Diesel	11967	260	354	10.99-	*	*
O 580-15 RH/RHD (OM 457.953)	Diesel	11967	260	354	10.99-	*	*
O 580-15 RH/RHD (OM 457.961)	Diesel	11967	260	354	10.99-	*	*
O 580-15 SHD (OM 457.944)	Diesel	11967	260	354	10.99-	*	
O 580-15 SHD (OM 457.953)	Diesel	11967	260	354	10.99-	*	
O 580-15 SHD (OM 457.961)	Diesel	11967	260	354	10.99-	*	
O 580-16 RHD (OM 457.944)	Diesel	11967	260	354	01.03-	*	*
O 580-16 RHD (OM 457.953)	Diesel	11967	260	354	01.03-	*	*
O 580-16 RHD (OM 457.961)	Diesel	11967	260	354	01.03-	*	*
O 580-15 RH/RHD (OM 457.936)	Diesel	11967	300	408	10.99-	*	*
O 580-15 RH/RHD (OM 457.938)	Diesel	11967	300	408	10.99-	*	*
O 580-15 RHD (OM 457.944)	Diesel	11967	310	422	10.99-	*	*
O 580-15 RHD (OM 457.953)	Diesel	11967	310	422	10.99-	*	*
O 580-16 RHD, O 580-17 RHD (OM 457.944)	Diesel	11967	310	422	10.99-	*	*
O 580-15 RHD (OM 457.961)	Diesel	11967	335	456	10.99-	*	
O 580-16 RHD (OM 457.961)	Diesel	11967	335	456	10.99-	*	
O 580-15 RHD	Diesel	15928	300	408	01.99-12.06	*	*
O 580-15 RH (OM 542.948)	Diesel	15928	320	435	10.99-	*	
O 580-15 RHD	Diesel	15928	320	435	01.99-12.06	*	*
O 580-16 RHD (OM 542.948)	Diesel	15928	320	435	10.99-	*	*
O 580-17 RHD (OM 542.948)	Diesel	15928	320	435	10.99-	*	*
O 580-15 RH (OM 942.900)	Diesel	15928	350	476	10.99-	*	
O 580-15 RH (OM 942.911)	Diesel	15928	350	476	10.99-	*	
O 580-16 RHD (OM 542.966)	Diesel	15928	350	476	10.99-	*	
O 580-17 RHD (OM 542.948)	Diesel	15928	350	476	10.99-	*	*
O 580-17 RHD (OM 542.966)	Diesel	15928	350	476	10.99-	*	*
O 580-15 RHD	Diesel	15928	370	503	01.99-12.06	*	*

LISTA DE APLICACIONES - BUYERS GUIDE

O 580-16 RHD (OM 542.966)	Diesel		15928	370	503	01.03-	*	
O 580-17 RHD	Diesel		15928	370	503	01.99-12.06	*	*
OF 01.83-								
1113 (OM 384.906)	Diesel		3972	100	137	01.83-	*	*
1113 (OM 344.949)	Diesel		5675	96	131	01.83-	*	*
1113 (OM 352.997)	Diesel		5675	96	131	01.83-	*	*
1113 (OM 352.998)	Diesel		5675	96	131	01.83-	*	*
1313, 1314 (OM 352.997)	Diesel		5675	96	131	01.83-	*	*
1413 (OM 352.997)	Diesel		5675	96	131	01.83-	*	*
1117 (OM 386.952)	Diesel		5958	125	170	01.83-	*	*
1317 (OM 327.919)	Diesel		7980	125	170	01.83-	*	*
1417 (OM 327.940)	Diesel		7980	125	170	01.83-	*	*
1317 (OM 360.937)	Diesel		8720	125	170	01.83-	*	*
1317 (OM 360.951)	Diesel		8720	125	170	01.83-	*	*
1417 (OM 360.938)	Diesel		8720	125	170	01.83-	*	*
1417 (OM 360.952)	Diesel		8720	125	170	01.83-	*	*
1617 (OM 360.938)	Diesel		8720	125	170	01.83-	*	*
1617 (OM 360.962)	Diesel		8720	125	170	01.83-	*	*
1617 (OM 360.983)	Diesel		8720	125	170	01.83-	*	*
1621 (OM 360.982)	Diesel		8720	154	210	01.83-	*	*
OH 01.70-								
1518 (OM 904.973)	Diesel		4249	130	177	01.70-	*	*
1518, 1519 (OM 924.988)	Diesel		4801	142	193	05.99-	*	*
1521 (OM 924.913)	Diesel		4801	160	218	05.07-	*	*
1113 (OM 344.948)	Diesel		5675	115	156	01.70-	*	*
1316 (OM 344.948)	Diesel		5675	115	156	01.70-	*	*
1521 (OM 386.981)	Diesel		5958	150	204	01.70-	*	*
1525 (OM 906.918)	Diesel		6374	180	245	01.70-	*	*
1526 (OM 926.996)	Diesel		7201	188	256	05.07-	*	*
1622, 1622 L (OM 421.910)	Diesel		10964	159	216	01.70-	*	*
1625, 1625 L (OM 422.915)	Diesel		14618	184	250	01.70-	*	*
1628, 1628 L (OM 422.918)	Diesel		14618	206	280	01.70-	*	*
1627 L (OM 440.907)	Diesel		15078	195	265	01.70-	*	*
SK-Class 07.87-09.96								
Cabeza tractora								
2648S (OM 442.983)	Diesel		14618	329	447	12.88-07.92	*	*
2648S (OM 442.985)	Diesel		14618	353	480	12.88-07.92	*	*
2648S (OM 442.989)	Diesel		14618	353	480	12.88-07.92	*	*
2648S (OM 442.992)	Diesel		14618	353	480	12.88-07.92	*	*
2648S (OM 442.994)	Diesel		14618	353	480	12.88-07.92	*	*
2650S (OM 440.971)	Diesel		14618	370	503	07.92-09.96	*	*
2650S (OM 440.973)	Diesel		14618	370	503	07.92-09.96	*	*
2650S (OM 442.997)	Diesel		14618	370	503	07.92-09.96	*	*
SK-Class 07.87-09.96								
Caja/Chasis								
2638, 2638 L (OM 402.971)	Diesel		12763	280	381	09.91-09.96	*	*
2638, 2638 L (OM 402.972)	Diesel		12763	280	381	09.91-09.96	*	*
2638, 2638 L (OM 402.975)	Diesel		12763	280	381	09.91-09.96	*	*
2638, 2638 L (OM 402.985)	Diesel		12763	280	381	09.91-09.96	*	*
2638, 2638 L (OM 402.986)	Diesel		12763	280	381	09.91-09.96	*	*
2435,2435 L (OM 442.943)	Diesel		14618	260	354	07.87-09.96	*	*
2435,2435 L (OM 442.944)	Diesel		14618	260	354	07.87-09.96	*	*

LISTA DE APLICACIONES - BUYERS GUIDE

2435,2435 L (OM 442.963)		Diesel		14618	260	354	07.87-09.96	*	*
2435,2435 L (OM 442.964)		Diesel		14618	260	354	07.87-09.96	*	*
2435,2435 L (OM 442.965)		Diesel		14618	260	354	07.87-09.96	*	*
2435,2435 L (OM 442.968)		Diesel		14618	260	354	07.87-09.96	*	*
2435,2435 L (OM 442.976)		Diesel		14618	260	354	07.87-09.96	*	*
2638, 2638 L (OM 440.990)		Diesel		14618	280	381	09.91-09.96	*	*
2638, 2638 L (OM 446.924)		Diesel		14618	280	381	09.91-09.96	*	*
2638, 2638 L (OM 446.925)		Diesel		14618	280	381	09.91-09.96	*	*
2638, 2638 L (OM 446.926)		Diesel		14618	280	381	09.91-09.96	*	*
2644, 2644 L (OM 440.970)		Diesel		14618	320	435	01.92-09.96	*	*
2644, 2644 L (OM 440.978)		Diesel		14618	320	435	01.92-09.96	*	*
2644, 2644 L (OM 446.922)		Diesel		14618	320	435	01.92-09.96	*	*
2650, 2650 L (OM 440.973)		Diesel		14618	362	492	07.92-09.96	*	*
2650, 2650 L (OM 440.981)		Diesel		14618	362	492	07.92-09.96	*	*
2650, 2650 L (OM 442.989)		Diesel		14618	362	492	07.92-09.96	*	*
2650, 2650 L (OM 442.997)		Diesel		14618	362	492	07.92-09.96	*	*
3550 (OM 440.975)		Diesel		14618	362	492	05.92-09.96	*	*
3550 (OM 440.976)		Diesel		14618	362	492	05.92-09.96	*	*
3550 (OM 442.993)		Diesel		14618	362	492	05.92-09.96	*	*
3550 (OM 442.997)		Diesel		14618	362	492	05.92-09.96	*	*
2653, 2653 L (OM 446.920)		Diesel		14618	390	530	09.95-09.96	*	*
3553, 3553 L (OM 446.920)		Diesel		14618	390	530	01.94-09.96	*	*
SK-Class 07.87-09.96				Camión volquete					
2638K (OM 402.971)		Diesel		12763	280	381	09.91-09.96	*	*
2638K (OM 402.972)		Diesel		12763	280	381	09.91-09.96	*	*
2638K (OM 402.975)		Diesel		12763	280	381	09.91-09.96	*	*
2638K (OM 402.985)		Diesel		12763	280	381	09.91-09.96	*	*
2638K (OM 402.986)		Diesel		12763	280	381	09.91-09.96	*	*
3538AK (OM 402.973)		Diesel		12763	280	381	03.91-09.96	*	*
3538AK (OM 402.978)		Diesel		12763	280	381	03.91-09.96	*	*
3538AK (OM 402.982)		Diesel		12763	280	381	03.91-09.96	*	*
3538AK (OM 402.983)		Diesel		12763	280	381	03.91-09.96	*	*
3538AK (OM 402.987)		Diesel		12763	280	381	03.91-09.96	*	*
3538K (OM 402.973)		Diesel		12763	280	381	03.91-09.96	*	*
3538K (OM 402.978)		Diesel		12763	280	381	03.91-09.96	*	*
3538K (OM 402.982)		Diesel		12763	280	381	03.91-09.96	*	*
3538K (OM 402.983)		Diesel		12763	280	381	03.91-09.96	*	*
3538K (OM 402.987)		Diesel		12763	280	381	03.91-09.96	*	*
2638K (OM 440.990)		Diesel		14618	280	381	09.91-09.96	*	*
2638K (OM 446.924)		Diesel		14618	280	381	09.91-09.96	*	*
2638K (OM 446.925)		Diesel		14618	280	381	09.91-09.96	*	*
2638K (OM 446.926)		Diesel		14618	280	381	09.91-09.96	*	*
3538AK (OM 446.926)		Diesel		14618	280	381	01.94-09.96	*	*
3538AK (OM 446.930)		Diesel		14618	280	381	01.94-09.96	*	*
3538AK (OM 446.931)		Diesel		14618	280	381	01.94-09.96	*	*
3538K (OM 446.926)		Diesel		14618	280	381	01.94-09.96	*	*
3538K (OM 446.930)		Diesel		14618	280	381	01.94-09.96	*	*
T				Eje máquina tractora					
T-7,5LA/C22.5							01.53-		*
T-7,5SLA/C22.5							01.53-		*

LISTA DE APLICACIONES - BUYERS GUIDE

T2/L 01.59-12.95						Caja/Chasis		
LA 911 (OM 352.990)		Diesel		5675	81	110	01.72-12.95	*
LA 911 (OM 353.911)		Diesel		5675	124	168	01.72-12.95	*
TE						Eje máquina tractora		
TE5/2C7-9							01.53-	*
TE5/3C7-9							01.53-	*
TE5/4C7-10,5							01.53-	*
TE5/5C7-9							01.53-	*
TE5/6C7-9							01.53-	*
TE5/8C7-9							01.53-	*
TE						Eje remolque		
TE5/1C7-9							01.53-	*
TE5/2C7-9							01.53-	*
TE5/3C7-9							01.53-	*
TE5/4C7-10,5							01.53-	*
TE5/5C7-9							01.53-	*
TE5/6C7-9							01.53-	*
TE5/8C7-9							01.53-	*
TL						Eje máquina tractora		
TL4/8C6-9							01.53-	*
TL5/1C7-9							01.53-	*
TL						Eje remolque		
TL5/1C7-9							01.53-	*
TZ						Eje máquina tractora		
TZ5/2C7-10,5							01.53-	*
TZ						Eje remolque		
TZ5/2C7-10,5							01.53-	*
TZ5/8C7-9							01.53-	*
UNIMOG 01.55-						Caja/Chasis		
U 5000 (OM 924.923)		Diesel		4801	160	218	01.12-	*
VD						Eje máquina tractora		
VD4/40DCL-7,1							01.53-	*
VD4/50DCL-7,5							01.53-	*
VD4/51DCL-7,1							01.53-	*
VL						Eje máquina tractora		
VL3/35DC-5							01.53-	*
VL4/39DC-7,1							01.53-	*
VL4/50DC-7,5							01.53-	*
VL4/51DC-7,5							01.53-	*
VL4/52DC-7,5							01.53-	*
VL4/53DC-7,5							01.53-	*
VL4/54DC-8							01.53-	*
VL5/20DC-9							01.53-	*
VL5/21DC-9							01.53-	*
VL5/NR-9							01.53-	*
VO						Eje máquina tractora		
VO4/01-7,1							01.53-	*

LISTA DE APLICACIONES - BUYERS GUIDE

VO4/36CL-7							01.53-	*
VO4/37CL-7							01.53-	*
VO4/38CL-7,5							01.53-	*
VO4/39CL-7,5							01.53-	*
VO4/40DCL-7,1							01.53-	*
ZETROS 09.08-								Caja/Chasis
2733 A (OM 926.935)		Diesel		7201	240	326	09.08-	*
2733 A (OM 926.936)		Diesel		7201	240	326	09.08-	*
2733 A (OM 926.947)		Diesel		7201	240	326	09.08-	*
NEOPLAN								
01.06-								Bus
N 1216 HD (D 2066 LOH 03)		Diesel		10518	294	400	01.06-	* *
N 1216 HD (D 2066 LOH 04)		Diesel		10518	324	440	01.06-10.09	* *
Centroliner 10.98-								Bus
N 4411 (D 0826 LOH 17)		Diesel		6871	162	220	10.98-	* *
N 4411		Diesel		6871	162	220	05.04-	* *
N 4416 (D 0826 LOH 17)		Diesel		6871	162	220	10.98-12.04	* *
N 4416 (D 0826 LUH 12)		Diesel		6871	162	220	10.98-12.04	* *
N 4416 (D 0836 LOH 03)		Diesel		6871	162	220	10.98-12.04	* *
N 4416 (D 0826 LUH 13)		Diesel		6871	191	260	01.99-12.01	* *
N 4411 (D 0836 LOH 02)		Diesel		6871	206	280	10.98-	* *
N 4516 (D 2066 LUH 21)		Diesel		10518	199	271	10.98-	* *
N 4516 (D 2066 LUH 46)		Diesel		10518	206	280	10.98-	* *
N 4516 (D 2066 LUH 22)		Diesel		10518	228	310	10.98-	* *
N 4522 (D 2066 LUH 22)		Diesel		10518	228	310	10.98-	* *
N 4516 (D 2066 LUH 47)		Diesel		10518	235	320	10.98-	* *
N 4522 (D 2066 LUH 47)		Diesel		10518	235	320	10.98-	* *
N 4522 (D 2066 LUH 23)		Diesel		10518	257	350	05.06-	* *
N 4516 (D 2066 LUH 33)		Diesel		10518	265	360	10.98-	* *
N 4522 (D 2066 LUH 33)		Diesel		10518	265	360	10.98-	* *
N 4416 (D 2866 LUH 22)		Diesel		11967	191	260	01.99-12.01	* *
N 4420 (D 2866 LUH 22)		Diesel		11967	191	260	01.99-	* *
N 4421 (D 2866 LUH 22)		Diesel		11967	191	260	01.99-	* *
N 4416 (D 2866 LUH 20)		Diesel		11967	228	310	01.99-12.01	* *
N 4420 (D 2866 LOH 25)		Diesel		11967	228	310	01.99-	* *
N 4420 (D 2866 LUH 20)		Diesel		11967	228	310	01.99-	* *
N 4421 (D 2866 LOH 25)		Diesel		11967	228	310	01.99-	* *
N 4421 (D 2866 LUH 20)		Diesel		11967	228	310	01.99-	* *
N 4420 (D 2866 LUH 21)		Diesel		11967	257	350	01.99-	* *
N 4421 (D 2866 LUH 21)		Diesel		11967	257	350	01.99-	* *
Cityliner 04.73-								Bus
N 116 (DS 11.34)		Diesel		11020	228	310	09.90-	*
N 116 (DSC 11.21)		Diesel		11020	228	310	09.90-	*
N 116 (DSC 11.18)		Diesel		11020	267	363	09.90-09.93	*
N 116 (DSC 11.22)		Diesel		11020	280	381	09.92-	*
N 116 (WS 268 G)		Diesel		11627	268	364	09.92-	*
N 116 (WS 295 G)		Diesel		11627	295	401	09.92-	*
N 116 (D 2866 TOH)		Diesel		11967	229	311	09.90-09.92	*
N 116 (D 2866 KOH/373)		Diesel		11967	272	370	09.90-	*
N 116 (D 2866 LOH 07)		Diesel		11967	272	370	09.90-	*

LISTA DE APLICACIONES - BUYERS GUIDE

N 116 (D 2866 LOH 06)		Diesel		11967	309	420	09.92-	*	
N 116 (D 2866 LOH 20)		Diesel		11967	309	420	09.92-	*	
N 116 (BF 8 L 513-225)		Diesel		12763	225	306	09.90-09.92	*	
N 116 (BF 8 L 513-243)		Diesel		12763	243	330	09.90-09.92	*	
N 116/3 HC (D 2876 LOH 02)		Diesel		12816	338	460	09.04-	*	
N 122/3 (OM 422.951)		Diesel		14618	243	330	11.91-	*	
N 122/3 (OM 422.952)		Diesel		14618	243	330	11.91-	*	
N 122/3 (OM 403.933)		Diesel		15950	261	355	04.73-	*	
Euroliner 07.97-								Bus	
N 3316 KL, N 3316 ÜL (D 2866 LUH 25)		Diesel		11967	265	360	04.99-12.06	*	*
N 3316 Ü, N 3316 K (D 2866 LUH 30)		Diesel		11967	301	410	10.98-12.06	*	*
N 3318/3 Ü (D 2866 LUH 30)		Diesel		11967	301	410	07.97-12.06	*	*
Jetliner 09.73-09.93								Bus	
N 208 (D 0826 LOH 02)		Diesel		6871	140	190	09.92-09.93	*	
N 208 (D 0826 LOH 03)		Diesel		6871	169	230	09.90-09.93	*	
N 208 (D 0826 LOH 04)		Diesel		6871	169	230	09.90-09.93	*	
N 214, N 216 (DS 11.34)		Diesel		11020	228	310	09.90-09.93	*	
N 214, N 216 (DSC 11.21)		Diesel		11020	228	310	09.90-09.93	*	
N 214, N 216 (DSC 11.18)		Diesel		11020	267	363	09.90-09.92	*	
N 214, N 216 (DSC 11.22)		Diesel		11020	280	381	09.92-09.93	*	
N 214, N 216 (WS 268 G)		Diesel		11627	268	364	09.92-09.93	*	
N 214, N 216 (WS 295 G)		Diesel		11627	295	401	09.92-09.93	*	
N 214, N 216 (D 2866 TOH)		Diesel		11967	229	311	09.90-09.92	*	
N 214, N 216 (D 2866 KOH/373)		Diesel		11967	272	370	09.90-09.93	*	
N 214, N 216 (D 2866 LOH 07)		Diesel		11967	272	370	09.90-09.93	*	
N 214, N 216 (D 2866 LOH 03)		Diesel		11967	309	420	09.90-09.93	*	
N 214, N 216 (D 2866 LOH 06)		Diesel		11967	309	420	09.90-09.93	*	
N 214, N 216 (D 2866 LOH 20)		Diesel		11967	309	420	09.90-09.93	*	
N 213 (BF 8 L 513-225)		Diesel		12763	225	306	09.90-09.92	*	
N 214, N 216 (BF 8 L 513-225)		Diesel		12763	225	306	09.90-09.92	*	
N 213 (BF 8 L 513-243)		Diesel		12763	243	330	09.90-09.92	*	
N 214, N 216 (BF 8 L 513-243)		Diesel		12763	243	330	09.90-09.92	*	
N 216 (BF 8 L 513-243)		Diesel		12763	243	330	09.90-09.92	*	
N 216 (OM 422.909)		Diesel		14618	184	250	09.90-09.93	*	
N 216 (OM 422.912)		Diesel		14618	184	250	09.90-09.93	*	
N 216		Diesel		14618	206	280	09.90-09.93	*	
Low Chassis 01.92-								Bus	
N 4008, N4009, N4010, N4011		Diesel					01.92-	*	
N 4014, N4016, N4024, N4026		Diesel					01.92-	*	
Megaliner 01.93-								Bus	
N 128/4 (OM 442.998)		Diesel		14618	370	503	01.93-	*	*
Megashuttle 01.94-								Bus	
N 4032/4 (D 2865 LOH 02)		Diesel		9973	235	320	01.94-	*	*
N Series 01.83-								Bus	
N 416 SL (DKFL 1160)		Diesel		11627	191	260	01.83-	*	*
N 416 SÜ (F 8 L 513)		Diesel		13383	177	241	01.87-	*	*
Regioliner 01.92-								Bus	
N 3014		Diesel					01.92-	*	
N 3016		Diesel					01.92-	*	

LISTA DE APLICACIONES - BUYERS GUIDE

								Bus	
Skyliner 09.73-									
N 122 (DS 11.34)		Diesel		11020	228	310	09.90-09.92	*	*
N 122 (DSC 11.18)		Diesel		11020	267	363	09.90-09.92	*	*
N 122/3 (DSC 11.18)		Diesel		11020	267	363	09.90-09.93	*	*
N 122/3 (DSC 11.22)		Diesel		11020	280	381	09.92-	*	
N 122/3 (WS 268 G)		Diesel		11627	268	364	09.92-	*	
N 122/3 (WS 295 G)		Diesel		11627	295	401	09.92-	*	
N 122 (D 2866 TOH)		Diesel		11967	229	311	09.90-09.92	*	*
N 122/3 (D 2866 KOH/373)		Diesel		11967	272	370	09.90-	*	
N 122/3 (D 2866 LOH 07)		Diesel		11967	272	370	09.90-	*	
N 122 (D 2866 KOH/373)		Diesel		11967	274	373	09.90-09.93	*	*
N 122 (D 2866 LOH 03)		Diesel		11967	309	420	09.90-09.92	*	*
N 122/3 (D 2866 LOH 03)		Diesel		11967	309	420	09.90-	*	
N 122/3 (D 2866 LOH 06)		Diesel		11967	309	420	09.90-	*	
N 122/3 (D 2866 LOH 20)		Diesel		11967	309	420	09.90-	*	
N 122 (BF 8 L 513-225)		Diesel		12763	225	306	09.90-09.92	*	*
N 122 (BF 8 L 513-243)		Diesel		12763	243	330	09.90-09.92	*	*
N 122/3 L (D 2876 LOH 21)		Diesel		12816	390	530	09.04-	*	
N 122/3 (OM 422.951)		Diesel		14618	243	330	09.90-	*	
N 122/3 (OM 422.952)		Diesel		14618	243	330	09.90-	*	
N 122/3 (OM 442.979)		Diesel		14618	250	340	01.79-	*	*
N 122/3 (OM 403.933)		Diesel		15950	261	355	01.79-	*	*
N 122/3		Diesel		17426	259	352	01.79-	*	*
Spaceliner 09.79-09.93								Bus	
N 117 (DS 11.34)		Diesel		11020	228	310	09.90-	*	
N 117 (DSC 11.21)		Diesel		11020	228	310	09.90-	*	
N 117 (DSC 11.18)		Diesel		11020	267	363	09.90-09.93	*	*
N 117/3 (DSC 11.18)		Diesel		11020	267	363	09.90-09.93	*	
N 117 (DSC 11.22)		Diesel		11020	280	381	09.92-	*	
N 117/3 (DSC 11.22)		Diesel		11020	280	381	09.92-	*	
N 117 (WS 268 G)		Diesel		11627	268	364	09.92-	*	
N 117/3 (WS 268 G)		Diesel		11627	268	364	09.92-	*	
N 117 (WS 295 G)		Diesel		11627	295	401	09.92-	*	
N 117/3 (WS 295 G)		Diesel		11627	295	401	09.92-	*	
N 117 (D 2866 KOH/373)		Diesel		11967	272	370	09.90-	*	
N 117 (D 2866 LOH 07)		Diesel		11967	272	370	09.90-	*	
N 117/3 (D 2866 LOH 07)		Diesel		11967	272	370	09.92-	*	
N 117 (D 2866 LOH 03)		Diesel		11967	309	420	09.90-	*	
N 117 (D 2866 LOH 06)		Diesel		11967	309	420	09.90-	*	
N 117 (D 2866 LOH 20)		Diesel		11967	309	420	09.90-	*	
N 117/3 (D 2866 LOH 06)		Diesel		11967	309	420	09.92-	*	
N 117/3 (D 2866 LOH 20)		Diesel		11967	309	420	09.92-	*	
N 117 (BF 8 L 513-225)		Diesel		12763	225	306	09.90-09.92	*	
N 117 (BF 8 L 513-243)		Diesel		12763	243	330	09.90-09.92	*	
Sportliner 01.90-								Bus	
N 208 (D 0826 LOH 15)		Diesel		6871	162	220	01.90-	*	*
Starliner 09.96-								Bus	
N 2216 SHD (D 2866 LOH 27)		Diesel		11967	228	310	01.02-	*	
N 2216 SHD (D 2866 LOH 28)		Diesel		11967	265	360	01.02-	*	
N 516 (D 2866 LOH 23)		Diesel		11967	294	400	09.96-	*	*

LISTA DE APLICACIONES - BUYERS GUIDE

N 516/3 (D 2866 LOH 23)		Diesel		11967	294	400	09.96-	*	*
N 2216 SHD (D 2866 LOH 29)		Diesel		11967	301	409	01.02-	*	
N 516 (D 2866 LOH 29)		Diesel		11967	301	410	09.02-	*	*
N 516/3 (D 2866 LOH 29)		Diesel		11967	301	410	09.02-	*	*
N 2216 SHD (D 2876 LOH 01)		Diesel		12816	338	460	01.02-	*	
N 2216 SHD (D 2876 LOH 01)		Diesel		12816	338	460	01.02-	*	
N 516 (D 2876 LOH 01)		Diesel		12816	338	460	09.96-	*	*
N 516/3 (D 2876 LOH 01)		Diesel		12816	338	460	09.96-	*	*
N 5218 SHD (D 2876 LOH 20)		Diesel		12816	353	480	05.05-	*	*
N 5218 SHD (D 2876 LOH 21)		Diesel		12816	390	530	05.05-	*	*
N 516		Diesel		14618	280	381	09.96-	*	*
N 516/3		Diesel		14618	280	381	09.96-	*	*
N 516 (OM 542.925)		Diesel		15928	350	476	09.96-	*	
N 516 (OM 542.925)		Diesel		15928	350	476	09.96-	*	
Tourliner 09.02-								Bus	
N 2216 SHD (D 2066 LOH 03)		Diesel		10518	294	400	06.06-	*	*
N 2216 SHD (D 2066 LOH 04)		Diesel		10518	324	440	06.06-	*	*
N 2216 SHDL (D 2066 LOH 04)		Diesel		10518	324	440	06.06-	*	*
N 2216 SHD (D 2866 LOH 34)		Diesel		11967	301	410	01.03-	*	*
N 2216 SHDL (D 2866 LOH 34)		Diesel		11967	301	410	01.03-	*	*
N 2216 SHD (D 2876 LOH 03)		Diesel		12816	338	460	01.03-	*	*
N 2216 SHDL (D 2876 LOH 03)		Diesel		12816	338	460	01.03-	*	*
Transliner 12.88-								Bus	
N 316 (OM 401.905)		Diesel		9570	141	192	12.88-	*	
N 316 (OM 401.906)		Diesel		9570	141	192	12.88-	*	
N 314, N 316 (D 2865 LU 05)		Diesel		9973	198	270	09.93-	*	
N 314, N 316 (D 2865 LUH02)		Diesel		9973	198	270	09.93-	*	
N 321/3 (D 2865 LU 05)		Diesel		9973	198	270	09.93-	*	
N 321/3 (D 2865 LUH02)		Diesel		9973	198	270	09.93-	*	
N 316 (D 2865 LOH 02)		Diesel		9973	235	320	09.93-	*	
N 321/3 (D 2865 LOH 02)		Diesel		9973	235	320	09.93-	*	
N 316 (OM 441.997)		Diesel		10964	230	313	12.88-	*	
N 316 (OM 441.980)		Diesel		10964	250	340	12.88-	*	
N 314, N 316 (DSC 11.21)		Diesel		11020	235	320	09.93-	*	
N 321/3 (DSC 11.21)		Diesel		11020	235	320	09.93-	*	
N 316 (DSC 11.18)		Diesel		11020	267	363	09.90-09.92	*	
N 316 (DSC 11.22)		Diesel		11020	280	381	09.92-	*	
N 316 (WS 268 G)		Diesel		11627	268	364	09.92-	*	
N 316 (WS 295 G)		Diesel		11627	295	401	09.92-	*	
N 316 (D 2866 UH)		Diesel		11967	185	252	09.90-09.93	*	
N 316 (D 2866 TUH)		Diesel		11967	229	311	09.90-09.93	*	
N 316 (D 2866 KOH/373)		Diesel		11967	272	370	09.92-	*	
N 316 (D 2866 LOH 07)		Diesel		11967	272	370	09.92-	*	
N 316 (D 2866 LOH 06)		Diesel		11967	309	420	09.92-	*	
N 316 (D 2866 LOH 20)		Diesel		11967	309	420	09.92-	*	
N 316 (BF 8 L 513-225)		Diesel		12763	225	306	09.90-09.92	*	
N 321/3 (BF 8 L 513-225)		Diesel		12763	225	306	09.90-09.92	*	
N 316 (BF 8 L 513-243)		Diesel		12763	243	330	09.90-09.92	*	
N 321/3 (BF 8 L 513-243)		Diesel		12763	243	330	09.90-09.92	*	
N 316 (OM 442.979)		Diesel		14618	250	340	12.88-	*	
N 316 (OM 442.920)		Diesel		15078	195	265	12.88-	*	

LISTA DE APLICACIONES - BUYERS GUIDE

N 316 (OM 442.913)		Diesel		15078	213	290	12.88-	*	*
N 316 (OM 442.925)		Diesel		15078	213	290	12.88-	*	*
Trendliner 09.04-								Bus	
N 3516 Ü		Diesel		11967	228	310	09.04-	*	*
N 3516 Ü (D 2866 LUH 29)		Diesel		11967	265	360	09.04-	*	*
N 3516/3 ÜL		Diesel		11967	301	410	09.04-	*	*
N 3516 Ü		Diesel		11967	301	410	09.04-	*	*
OPTARE									
OLYMPUS 11.06-								Bus	
OLYMPUS (D9B260)		Diesel		9364	191	260	11.06-	*	*
OLYMPUS (D9B310)		Diesel		9364	228	310	11.06-	*	*
RENAULT TRUCKS									
Ares 04.98-								Bus	
Ares (MIDR 06.20.45 R41)		Diesel		9839	222	302	10.01-12.03	*	*
Ares (MIDR 06.20.45 M41)		Diesel		9839	250	340	04.98-12.03	*	*
SAF									
SK 02.98-								Eje remolque	
SKRZ 11222 K							02.98-		*
SKRZ 9022 K							02.98-		*
SKRB								Eje remolque	
SKRB 9022 H (MK IV)							01.53-		*
SKRB 9022 H (Modul X)							01.53-		*
SKRB 9022 K							01.53-		*
SKRB 9022 K 01 (SN7)							01.53-		*
SKRB 9022 KI (SN7) Integral							01.53-		*
SKRB 9022 KI 01 (SN7) Integral							01.53-		*
SKRLB								Eje remolque	
SKRLB 9022 K (SN7)							01.53-		*
SKRLB 9022 K 01 (SN7)							01.53-		*
SKRLB 9022 KI (SN7) Integral							01.53-		*
SKRLB 9022 KI 01 (SN7) Integra							01.53-		*
SKRS 12.92-								Eje remolque	
SKRS 11222 K							12.92-		*
SKRS 9022 K							12.92-		*
SKRZ 03.95-								Eje remolque	
SKRZ 11222 K							03.95-		*
SKRZ 9022 K (SN7)							03.95-		*
SCANIA									
06.04-05.19								Cabeza tractora	
P230 (DC 9.13)		Diesel		8867	169	230	09.04-05.19	*	*
P230 (DC 9.16)		Diesel		8867	169	230	09.04-05.19	*	*
P310 (DC 9.18)		Diesel		8867	228	310	04.04-05.19	*	*
R340 (DC 11.08)		Diesel		10640	250	340	03.04-05.19	*	*
P380 (DC 11.09)		Diesel		10640	279	380	09.04-05.19	*	*
R380 (DC 11.09)		Diesel		10640	279	380	03.04-05.19	*	*
R380 (DC 11.09)		Diesel		10640	279	380	09.04-05.19	*	*
R380 (DC 11.09)		Diesel		10640	279	379	04.04-05.19	*	*
P340 (DC 12.10)		Diesel		11705	250	340	04.04-05.19	*	*

LISTA DE APLICACIONES - BUYERS GUIDE

P340 (DC 12.10)		Diesel		11705	250	340	04.04-05.19	*	*
R340 (DC 12.10)		Diesel		11705	250	340	08.06-05.19	*	*
P380 (DC 12.13)		Diesel		11705	279	380	04.04-05.19	*	*
P380 (DC 12.17)		Diesel		11705	279	379	04.04-05.19	*	*
G420 (DC 12.06)		Diesel		11705	309	420	03.04-05.19	*	*
R470 (DT 12.06)		Diesel		11705	345	470	04.04-05.19	*	*
R470 (DT 12.06)		Diesel		11705	345	469	04.04-05.19	*	*
R470 (DT 12.06)		Diesel		11705	345	470	04.04-05.19	*	*
R470 (DT 12.03)		Diesel		11705	345	470	03.04-05.19	*	*
R470 (DT 12.06)		Diesel		11705	345	470	03.04-05.19	*	*
R470 (DT 12.06)		Diesel		11705	345	469	03.04-05.19	*	*
R480 (DT 12.17)		Diesel		11705	353	480	04.04-05.19	*	*
P360 (DC 13.06)		Diesel		12742	265	360	09.09-05.19	*	*
R360 (DC 13.06)		Diesel		12742	265	360	04.10-05.19	*	*
R400 (DC 13.05)		Diesel		12742	294	400	04.10-05.19	*	*
S410 (DC 13.115)		Diesel		12742	302	409	09.16-	*	*
R440 (DC 13.10)		Diesel		12742	324	440	04.10-05.19	*	*
S450 (DC 13.124)		Diesel		12742	331	450	09.16-	*	*
R480 (DC 13.07)		Diesel		12742	353	480	04.10-05.19	*	*
R480 (DC 13.07)		Diesel		12742	353	480	10.10-05.19	*	*
S500		Diesel		12742	368	500	10.20-	*	*
P550 (DC 13.119)		Diesel		12742	404	549	01.12-05.19	*	*
R500 (DC 16.04)		Diesel		15607	368	500	03.04-05.19	*	*
R500 (DC 16.19)		Diesel		15607	368	500	03.04-05.19	*	*
R500 (DC 16.04)		Diesel		15607	368	500	04.04-05.19	*	*
R500 (DC 16.06)		Diesel		15607	368	500	04.04-05.19	*	*
R500 (DC 16.19)		Diesel		15607	368	500	04.04-05.19	*	*
R500 (DC 16.04)		Diesel		15607	368	500	03.04-05.19	*	*
R500 (DC 16.06)		Diesel		15607	368	500	03.04-05.19	*	*
R500 (DC 16.19)		Diesel		15607	368	500	03.04-05.19	*	*
R500 (DC 16.04)		Diesel		15607	368	500	03.04-05.19	*	*
R500 (DC 16.04)		Diesel		15607	368	500	04.04-05.19	*	*
R500 (DC 16.19)		Diesel		15607	368	500	03.09-05.19	*	*
R560 (DC 16.05)		Diesel		15607	411	559	03.04-05.19	*	*
R560 (DC 16.18)		Diesel		15607	411	559	03.04-05.19	*	*
R560 (DC 16.05)		Diesel		15607	412	560	03.08-05.19	*	*
R560 (DC 16.18)		Diesel		15607	412	560	03.08-05.19	*	*
R560 (DC 16.05)		Diesel		15607	412	560	09.06-05.19	*	*
R560 (DC 16.05)		Diesel		15607	412	560	04.04-05.19	*	*
R560 (DC 16.18)		Diesel		15607	412	560	03.09-05.19	*	*
R580 (DC 16.03)		Diesel		15607	426	580	03.04-05.19	*	*
R580 (DC 16.03)		Diesel		15607	426	580	04.04-05.19	*	*
R580 (DC 16.03)		Diesel		15607	426	580	04.04-05.19	*	*
R580 (DC 16.03)		Diesel		15607	426	579	03.04-05.19	*	*
R620 (DC 16.08)		Diesel		15607	455	619	03.04-05.19	*	*
R620 (DC 16.17)		Diesel		15607	455	619	03.04-05.19	*	*
R620 (DC 16.08)		Diesel		15607	456	620	09.05-05.19	*	*
R620 (DC 16.08)		Diesel		15607	456	620	03.08-05.19	*	*
R620 (DC 16.17)		Diesel		15607	456	620	03.08-05.19	*	*
R620 (DC 16.08)		Diesel		15607	456	620	10.04-05.19	*	*
R620 (DC 16.17)		Diesel		15607	456	620	03.09-05.19	*	*

LISTA DE APLICACIONES - BUYERS GUIDE

R620 (DC 16.17)		Diesel		15607	456	620	11.06-05.19	*	*	
R620		Diesel		15607	456	620	09.05-05.19	*	*	
S520 (DC 16.101)		Diesel		16353	382	520	09.16-	*	*	
R580 (DC 16.102)		Diesel		16353	426	579	09.13-05.19	*	*	
R580 (DC 16.102)		Diesel		16353	426	579	09.13-05.19	*	*	
R580 (DC 16.102)		Diesel		16353	426	579	09.13-05.19	*	*	
S580 (DC 16.102)		Diesel		16353	427	579	09.16-	*	*	
R730 (DC 16.21)		Diesel		16353	537	730	04.10-05.19	*	*	
R730 (DC 16.21)		Diesel		16353	537	730	04.10-05.19	*	*	
R730 (DC 16.21)		Diesel		16353	537	730	10.10-05.19	*	*	
R730		Diesel		16353	537	730	10.10-05.19	*	*	
R730		Diesel		16353	537	730	10.10-05.19	*	*	
R730		Diesel		16353	537	730	10.10-05.19	*	*	
R730		Diesel		16353	537	730	10.10-05.19	*	*	
R730		Diesel		16353	537	730	10.10-05.19	*	*	
S730 (DC 16.103)		Diesel		16353	537	730	09.16-	*	*	
06.04-10.05							Caja/Chasis			
G230 (DC 9.16)		Diesel		8867	169	230	09.07-05.19	*	*	
P230 (DC 9.16)		Diesel		8867	169	230	04.06-05.19	*	*	
P230 (DC 9.13)		Diesel		8867	169	230	09.07-05.19	*	*	
P230 (DC 9.16)		Diesel		8867	169	230	09.07-05.19	*	*	
P230 (DC 9.13)		Diesel		8867	169	230	09.07-05.19	*	*	
P230 (DC 9.16)		Diesel		8867	169	230	09.07-05.19	*	*	
P270 (DC 9.12)		Diesel		8867	198	270	09.04-05.19	*	*	
P270 (DC 9.17)		Diesel		8867	199	270	04.06-05.19	*	*	
P310 (DC 9.18)		Diesel		8867	228	310	04.06-05.19	*	*	
P230 (DC 9.01)		Diesel		8974	169	230	04.04-05.19	*	*	
P230 (DC 9.04)		Diesel		8974	169	230	04.04-05.19	*	*	
P260 (DC 9.02)		Diesel		8974	191	260	04.04-05.19	*	*	
P260 (DC 9.05)		Diesel		8974	191	260	04.04-05.19	*	*	
P300 (DC 9.03)		Diesel		8974	220	300	04.04-05.19	*	*	
P300 (DC 9.06)		Diesel		8974	220	300	04.04-05.19	*	*	
P280 (DC 9.29)		Diesel		9291	206	280	04.04-05.19	*	*	
P340 (DC 11.08)		Diesel		10640	250	340	09.04-05.19	*	*	
P340 (DC 11.08)		Diesel		10640	250	340	04.04-05.19	*	*	
P340 (DC 11.08)		Diesel		10640	250	340	04.04-05.19	*	*	
P340 (DC 11.08)		Diesel		10640	250	340	04.04-05.19	*	*	
P340 (DC 11.08)		Diesel		10640	250	340	04.04-05.19	*	*	
P340 (DC 11.08)		Diesel		10640	250	340	04.04-05.19	*	*	
P380 (DC 11.09)		Diesel		10640	279	380	04.04-05.19	*	*	
P380 (DC 11.09)		Diesel		10640	279	380	04.04-05.19	*	*	
P340 (DC 12.10)		Diesel		11705	250	340	10.06-05.19	*	*	
P340 (DC 12.10)		Diesel		11705	250	340	04.04-05.19	*	*	
P340 (DC 12.10)		Diesel		11705	250	340	04.04-05.19	*	*	
P340 (DC 12.10)		Diesel		11705	250	340	04.04-05.19	*	*	
P340 (DC 12.10)		Diesel		11705	250	340	04.04-05.19	*	*	
P380 (DC 12.13)		Diesel		11705	279	379	04.04-05.19	*	*	
P380 (DC 12.17)		Diesel		11705	279	379	04.04-05.19	*	*	
P380 (DC 12.13)		Diesel		11705	279	380	04.04-05.19	*	*	
P380 (DC 12.13)		Diesel		11705	280	380	09.05-05.19	*	*	
P380 (DC 12.13)		Diesel		11705	280	380	09.05-05.19	*	*	
P380 (DC 12.13)		Diesel		11705	280	381	10.06-05.19	*	*	

LISTA DE APLICACIONES - BUYERS GUIDE

P380 (DC 12.13)		Diesel		11705	280	380	04.04-05.19	*	*
R380 (DC 12.13)		Diesel		11705	280	380	04.04-05.19	*	*
R380 (DC 12.18)		Diesel		11705	280	380	04.10-05.19	*	*
R420 (DC 12.14)		Diesel		11705	309	420	03.04-05.19	*	*
R420 (DT 12.12)		Diesel		11705	309	420	03.04-05.19	*	*
R420 (DC 12.14)		Diesel		11705	309	420	03.04-05.19	*	*
R420 (DT 12.12)		Diesel		11705	309	420	03.04-05.19	*	*
R420 (DT 12.11)		Diesel		11705	309	420	03.04-05.19	*	*
R470 (DT 12.06)		Diesel		11705	345	470	03.04-05.19	*	*
R470 (DT 12.03)		Diesel		11705	345	469	03.04-05.19	*	*
R470 (DT 12.06)		Diesel		11705	345	469	03.04-05.19	*	*
R470		Diesel		11705	345	469	03.04-05.19	*	*
T470 (DT 12.06)		Diesel		11705	345	470	06.04-10.05	*	*
R480 (DT 12.17)		Diesel		11705	353	480	04.04-05.19	*	*
R480 (DT 12.17)		Diesel		11705	353	480	04.04-05.19	*	*
R480 (DT 12.17)		Diesel		11705	353	480	04.04-05.19	*	*
R480 (DT 12.17)		Diesel		11705	353	480	04.10-05.19	*	*
P360 (DC 13.06)		Diesel		12742	265	360	10.07-05.19	*	*
P360 (DC 13.06)		Diesel		12742	265	360	04.10-05.19	*	*
P400 (DC 13.05)		Diesel		12742	294	400	04.10-05.19	*	*
P400 (DC 13.05)		Diesel		12742	294	400	04.10-05.19	*	*
R440 (DC 13.10)		Diesel		12742	324	440	04.10-05.19	*	*
R440 (DC 13.10)		Diesel		12742	324	440	04.10-05.19	*	*
R440 (DC 13.10)		Diesel		12742	324	440	04.10-05.19	*	*
G480		Diesel		12742	353	480	01.12-05.19	*	*
R480 (DC 13.07)		Diesel		12742	353	480	04.10-05.19	*	*
R480 (DC 13.07)		Diesel		12742	353	480	04.04-05.19	*	*
R480 (DC 13.07)		Diesel		12742	353	480	04.10-05.19	*	*
R480 (DC 13.07)		Diesel		12742	353	480	04.10-05.19	*	*
R480 (DC 13.07)		Diesel		12742	353	480	07.04-05.19	*	*
R480 (DC 13.07)		Diesel		12742	353	480	07.04-05.19	*	*
P550 (DC 13.119)		Diesel		12742	404	549	01.12-05.19	*	*
R500 (DC 16.04)		Diesel		15607	368	500	03.04-05.19	*	*
R500 (DC 16.06)		Diesel		15607	368	500	03.04-05.19	*	*
R500 (DC 16.19)		Diesel		15607	368	500	03.04-05.19	*	*
R500 (DC 16.04)		Diesel		15607	368	500	03.04-05.19	*	*
R500 (DC 16.04)		Diesel		15607	368	500	03.04-05.19	*	*
R500 (DC 16.04)		Diesel		15607	368	500	04.04-05.19	*	*
R500 (DC 16.19)		Diesel		15607	368	500	03.09-05.19	*	*
R560 (DC 16.05)		Diesel		15607	412	560	03.04-05.19	*	*
R560 (DC 16.18)		Diesel		15607	412	560	03.04-05.19	*	*
R560 (DC 16.05)		Diesel		15607	412	560	09.06-05.19	*	*
R560 (DC 16.05)		Diesel		15607	412	560	09.06-05.19	*	*
R560 (DC 16.18)		Diesel		15607	412	560	03.09-05.19	*	*
R560		Diesel		15607	412	560	09.04-05.19	*	*
R580 (DC 16.03)		Diesel		15607	426	580	03.04-05.19	*	*
R580 (DC 16.03)		Diesel		15607	426	580	03.04-05.19	*	*
R620 (DC 16.08)		Diesel		15607	456	620	03.04-05.19	*	*
R620 (DC 16.17)		Diesel		15607	456	620	03.04-05.19	*	*
R620 (DT 16.08)		Diesel		15607	456	620	03.04-05.19	*	*
R620 (DC 16.08)		Diesel		15607	456	620	10.04-05.19	*	*

LISTA DE APLICACIONES - BUYERS GUIDE

R620 (DC 16.08)		Diesel		15607	456	620	03.09-05.19	*	*	
R620 (DC 16.17)		Diesel		15607	456	620	03.09-05.19	*	*	
R620 (DC 16.17)		Diesel		15607	456	620	11.06-05.19	*	*	
R620 (DC 16.17)		Diesel		15607	456	620	11.06-05.19	*	*	
R520 (DC 16.101)		Diesel		16353	382	520	07.13-05.19	*	*	
R520		Diesel		16353	382	520	07.13-05.19	*	*	
R580 (DC 16.102)		Diesel		16353	426	579	09.13-05.19	*	*	
R580 (DC 16.102)		Diesel		16353	426	579	09.13-05.19	*	*	
R580 (DC 16.102)		Diesel		16353	426	579	01.14-05.19	*	*	
R730 (DC 16.21)		Diesel		16353	537	730	04.10-05.19	*	*	
R730 (DC 16.21)		Diesel		16353	537	730	04.10-05.19	*	*	
R730 (DC 16.21)		Diesel		16353	537	730	10.10-05.19	*	*	
R730		Diesel		16353	537	730	10.10-05.19	*	*	
R730		Diesel		16353	537	730	10.10-05.19	*	*	
R730		Diesel		16353	537	730	04.10-05.19	*	*	
06.04-05.19							Caja/Chasis			
P260 (OSC 11.03)		Gasolina		11020	191	260	04.04-05.19	*	*	
06.04-05.19							Camión volquete			
P230 (DC 9.13)		Diesel		8867	169	230	01.08-05.19	*	*	
P230 (DC 9.16)		Diesel		8867	169	230	01.08-05.19	*	*	
P270 (DC 9.12)		Diesel		8867	198	270	04.04-05.19	*	*	
P270 (DC 9.17)		Diesel		8867	198	270	04.04-05.19	*	*	
P270 (DC 9.17)		Diesel		8867	198	269	08.06-05.19	*	*	
P310 (DC 9.18)		Diesel		8867	228	310	01.08-05.19	*	*	
P310 (DC 9.18)		Diesel		8867	228	310	08.06-05.19	*	*	
P340 (DC 11.08)		Diesel		10640	250	340	04.04-05.19	*	*	
P380 (DC 11.09)		Diesel		10640	279	379	04.04-05.19	*	*	
P340 (DC 12.10)		Diesel		11705	250	340	10.06-05.19	*	*	
P380 (DC 12.13)		Diesel		11705	280	380	10.06-05.19	*	*	
G470 (DT 12.06)		Diesel		11705	345	470	01.10-05.19	*	*	
G470 (DT 12.06)		Diesel		11705	345	470	01.10-05.19	*	*	
P360 (DC 13.06)		Diesel		12742	265	360	07.09-05.19	*	*	
R480		Diesel		12742	353	480	10.10-05.19	*	*	
P550 (DC 13.119)		Diesel		12742	404	549	01.12-05.19	*	*	
R500 (DC 16.04)		Diesel		15607	368	500	01.08-05.19	*	*	
R500 (DC 16.04)		Diesel		15607	368	500	01.08-05.19	*	*	
R620 (DC 16.17)		Diesel		15607	456	620	11.06-05.19	*	*	
R620 (DC 16.17)		Diesel		15607	456	620	11.06-05.19	*	*	
R520		Diesel		16353	382	520	07.13-05.19	*	*	
R580 (DC 16.102)		Diesel		16353	426	579	09.13-05.19	*	*	
R580 (DC 16.102)		Diesel		16353	426	579	09.13-05.19	*	*	
R580 (DC 16.102)		Diesel		16353	426	579	09.13-05.19	*	*	
R580 (DC 16.102)		Diesel		16353	426	579	01.14-05.19	*	*	
R730 (DC 16.21)		Diesel		16353	537	730	10.10-05.19	*	*	
R730		Diesel		16353	537	730	04.10-05.19	*	*	
06.04-05.19							Veh. Municipal			
P230 (DC 9.13)		Diesel		8867	169	230	09.07-05.19	*	*	
P230 (DC 9.16)		Diesel		8867	169	230	09.07-05.19	*	*	
P270 (DC 9.12)		Diesel		8867	198	269	04.04-05.19	*	*	
P270 (DC 9.17)		Diesel		8867	198	269	04.04-05.19	*	*	

LISTA DE APLICACIONES - BUYERS GUIDE

P270 (DC 9.12)		Diesel		8867	198	269	04.04-05.19	*	*	
P270 (DC 9.17)		Diesel		8867	198	269	04.04-05.19	*	*	
P270 (DC 9.17)		Diesel		8867	199	269	04.04-05.19	*	*	
P310 (DC 9.11)		Diesel		8867	228	310	09.04-05.19	*	*	
P310 (DC 9.18)		Diesel		8867	228	310	09.04-05.19	*	*	
P310 (DC 9.18)		Diesel		8867	228	310	09.04-05.19	*	*	
P310 (DC 9.18)		Diesel		8867	228	310	04.04-05.19	*	*	
3 Series 05.87-12.98							Cabeza tractora			
93 M/220 (DSC 9.10)		Diesel		8476	162	220	12.91-12.96		*	
3 Series 05.87-12.98							Caja/Chasis			
93 M/220 (DSC 9.10)		Diesel		8476	162	220	12.91-12.96		*	
93 H/250 (DS 9.05)		Diesel		8476	185	252	01.90-12.96		*	
93 H/250 (DSC 9.07)		Diesel		8476	185	252	01.90-12.96		*	
93 M/250 (DS 9.05)		Diesel		8476	185	252	01.90-12.96		*	
93 M/250 (DSC 9.07)		Diesel		8476	185	252	01.90-12.96		*	
93 M/250 (DS 9.05)		Diesel		8476	185	252	01.90-12.96		*	
93 M/250 (DSC 9.07)		Diesel		8476	185	252	01.90-12.96		*	
4 Series 05.95-							Cabeza tractora			
94 G/300 (DC 9.21)		Diesel		8867	198	269	01.04-04.08	*	*	
94 D/220 (DSC 9.11)		Diesel		8974	162	220	08.96-04.08	*	*	
94 D/220 (DSC 9.11)		Diesel		8974	162	220	08.96-04.08	*	*	
94 G/220 (DSC 9.11)		Diesel		8974	162	220	08.96-04.08	*	*	
T 94 G/220 (DSC 9.11)		Diesel		8974	162	220	08.96-04.08	*	*	
94 D/230 (DC 9.01)		Diesel		8974	169	230	08.99-04.08	*	*	
94 D/230 (DC 9.04)		Diesel		8974	169	230	08.99-04.08	*	*	
T 94 G/230 (DC 9.01)		Diesel		8974	169	230	04.99-04.08	*	*	
94 D/260 (DC 9.02)		Diesel		8974	191	260	08.96-04.08	*	*	
94 D/260 (DSC 9.12)		Diesel		8974	191	260	08.96-04.08	*	*	
94 D/260 (DSC 9.12)		Diesel		8974	191	260	08.96-04.08	*	*	
94 G/260 (DSC 9.12)		Diesel		8974	191	260	08.96-04.08	*	*	
T 94 G/260 (DSC 9.12)		Diesel		8974	191	260	12.96-04.08	*	*	
94 D/300 (DC 9.03)		Diesel		8974	220	300	08.96-04.08	*	*	
94 C/310 (DSC 9.13)		Diesel		8974	228	310	08.96-04.08	*	*	
94 C/310 (DSC 9.15)		Diesel		8974	228	310	08.96-04.08	*	*	
94 D/310 (DSC 9.13)		Diesel		8974	228	310	12.96-04.08	*	*	
94 D/310 (DSC 9.15)		Diesel		8974	228	310	12.96-04.08	*	*	
94 D/310 (DSC 9.13)		Diesel		8974	228	310	08.96-04.08	*	*	
94 G/310 (DSC 9.13)		Diesel		8974	228	310	08.96-04.08	*	*	
94 G/310 (DSC 9.15)		Diesel		8974	228	310	08.96-04.08	*	*	
94 L/310 (DSC 9.13)		Diesel		8974	228	310	08.96-04.08	*	*	
94 L/310 (DSC 9.15)		Diesel		8974	228	310	08.96-04.08	*	*	
94 L/310 (DSC 9.13)		Diesel		8974	228	310	08.96-04.08	*	*	
94 L/310 (DSC 9.15)		Diesel		8974	228	310	08.96-04.08	*	*	
T 94 C/310 (DSC 9.13)		Diesel		8974	228	310	09.96-04.08	*	*	
T 94 G/310 (DSC 9.13)		Diesel		8974	228	310	12.96-04.08	*	*	
T 94 G/310 (DSC 9.15)		Diesel		8974	228	310	12.96-04.08	*	*	
T 94 L/310 (DSC 9.13)		Diesel		8974	228	310	09.96-04.08	*	*	
T 94 L/310 (DSC 9.15)		Diesel		8974	228	310	09.96-04.08	*	*	
114 C/340 (DC 11.01)		Diesel		10640	250	340	03.98-04.08	*	*	
114 C/340 (DC 11.03)		Diesel		10640	250	340	03.98-04.08	*	*	

LISTA DE APLICACIONES - BUYERS GUIDE

T 114 C/380 (DC 11.02)		Diesel		10640	280	380	03.98-04.08	*	*
T 114 G/380 (DC 11.02)		Diesel		10640	280	380	03.98-04.08	*	*
T 114 G/380 (DC 11.02)		Diesel		10640	280	380	03.98-04.08	*	*
T 114 G/380 (DC 11.02)		Diesel		10640	280	380	03.98-04.08	*	*
T 114 L/380 (DC 11.02)		Diesel		10640	280	380	03.98-04.08	*	*
T 114 L/380 (DC 11.02)		Diesel		10640	280	380	03.98-04.08	*	*
T 114 L/380 (DC 11.02)		Diesel		10640	280	380	03.98-04.08	*	*
114 L/340 (DSC 11.79)		Diesel		11000	250	340	05.96-04.08	*	*
114 C/340 (DSC 11.79)		Diesel		11020	250	340	05.96-04.08	*	*
114 C/340 (DSC 11.79)		Diesel		11020	250	340	05.96-04.08	*	*
114 G/340 (DSC 11.79)		Diesel		11020	250	340	05.96-04.08	*	*
114 G/340 (DSC 11.79)		Diesel		11020	250	340	05.96-04.08	*	*
114 G/340 (DSC 11.79)		Diesel		11020	250	340	05.96-04.08	*	*
114 L/340 (DSC 11.79)		Diesel		11020	250	340	05.96-04.08	*	*
114 L/340 (DSC 11.79)		Diesel		11020	250	340	05.96-04.08	*	*
114 L/340 (DSC 11.07)		Diesel		11020	250	340	05.96-04.08	*	*
114 L/340 (DSC 11.79)		Diesel		11020	250	340	05.96-04.08	*	*
114 L/340		Diesel		11020	250	340	05.96-04.08	*	*
T 114 C/340 (DSC 11.79)		Diesel		11020	250	340	05.96-04.08	*	*
T 114 C/340 (DSC 11.79)		Diesel		11020	250	340	05.96-04.08	*	*
T 114 G/340 (DSC 11.79)		Diesel		11020	250	340	05.96-04.08	*	*
T 114 G/340 (DSC 11.79)		Diesel		11020	250	340	05.96-04.08	*	*
T 114 G/340 (DSC 11.79)		Diesel		11020	250	340	05.96-04.08	*	*
T 114 G/340 (DSC 11.79)		Diesel		11020	250	340	05.96-04.08	*	*
T 114 L/340 (DSC 11.79)		Diesel		11020	250	340	05.96-04.08	*	*
T 114 L/340 (DSC 11.79)		Diesel		11020	250	340	05.96-04.08	*	*
124 C/360 (DSC 12.02)		Diesel		11705	265	360	09.96-04.08	*	*
124 C/360 (DSC 12.02)		Diesel		11705	265	360	09.96-04.08	*	*
124 G/360 (DSC 12.02)		Diesel		11705	265	360	05.96-04.08	*	*
124 G/360 (DSC 12.02)		Diesel		11705	265	360	05.96-04.08	*	*
124 G/360 (DSC 12.02)		Diesel		11705	265	360	05.96-04.08	*	*
124 L/360 (DSC 12.02)		Diesel		11705	265	360	09.96-04.08	*	*
124 L/360 (DSC 12.02)		Diesel		11705	265	360	09.96-04.08	*	*
124 L/360 (DSC 12.02)		Diesel		11705	265	360	09.96-04.08	*	*
124 L/360		Diesel		11705	265	360	09.96-04.08	*	*
T 124 C/360 (DSC 12.02)		Diesel		11705	265	360	09.95-04.08	*	*
T 124 C/360 (DSC 12.02)		Diesel		11705	265	360	09.95-04.08	*	*
T 124 G/360 (DSC 12.02)		Diesel		11705	265	360	03.97-04.08	*	*
T 124 G/360 (DSC 12.02)		Diesel		11705	265	360	03.97-04.08	*	*
T 124 G/360 (DSC 12.02)		Diesel		11705	265	360	03.97-04.08	*	*
T 124 G/360 (DSC 12.02)		Diesel		11705	265	360	03.98-12.05	*	*
T 124 L/360 (DSC 12.02)		Diesel		11705	265	360	02.97-04.08	*	*
T 124 L/360 (DSC 12.02)		Diesel		11705	265	360	05.95-04.08	*	*
T 124 L/360 (DSC 12.02)		Diesel		11705	265	360	09.95-04.08	*	*
114 L/380 (DC 12.07)		Diesel		11705	279	380	01.05-04.08	*	*
114 G/380 (DC 12.07)		Diesel		11705	280	381	01.05-04.08	*	*
114 L/380 (DC 12.07)		Diesel		11705	280	381	03.98-04.08	*	*
124 C/400 (DSC 12.01)		Diesel		11705	294	400	09.96-04.08	*	*
124 C/400 (DSC 12.01)		Diesel		11705	294	400	09.96-04.08	*	*
124 G/400 (DSC 12.01)		Diesel		11705	294	400	05.96-04.08	*	*
124 G/400 (DSC 12.01)		Diesel		11705	294	400	05.96-04.08	*	*

LISTA DE APLICACIONES - BUYERS GUIDE

124 G/400 (DSC 12.01)		Diesel		11705	294	400	05.96-04.08	*	*
124 L/400 (DSC 12.01)		Diesel		11705	294	400	09.96-04.08	*	*
124 L/400 (DSC 12.01)		Diesel		11705	294	400	09.96-04.08	*	*
124 L/400 (DSC 12.01)		Diesel		11705	294	400	09.96-04.08	*	*
124 L/400		Diesel		11705	294	400	09.96-04.08	*	*
T 124 C/400 (DSC 12.01)		Diesel		11705	294	400	05.96-04.08	*	*
T 124 C/400 (DSC 12.01)		Diesel		11705	294	400	05.96-04.08	*	*
T 124 G/400 (DSC 12.01)		Diesel		11705	294	400	03.97-04.08	*	*
T 124 G/400 (DSC 12.01)		Diesel		11705	294	400	03.97-04.08	*	*
T 124 G/400 (DSC 12.01)		Diesel		11705	294	400	03.97-04.08	*	*
T 124 L/400 (DSC 12.01)		Diesel		11705	294	400	02.97-04.08	*	*
T 124 L/400 (DSC 12.01)		Diesel		11705	294	400	05.96-04.08	*	*
T 124 L/400 (DSC 12.01)		Diesel		11705	294	400	05.96-04.08	*	*
124 /G420 (DSC 12.05)		Diesel		11705	308	420	05.96-04.08	*	*
124 L/420 (DC 12.01)		Diesel		11705	308	420	09.97-04.08	*	*
124 L/420 (DC 12.03)		Diesel		11705	308	420	09.97-04.08	*	*
124 L/420 (DSC 12.05)		Diesel		11705	308	420	09.97-04.08	*	*
124 L/420 (DC 12.01)		Diesel		11705	308	419	05.96-04.08	*	*
124 L/420 (DC 12.03)		Diesel		11705	308	419	05.96-04.08	*	*
124 L/420		Diesel		11705	308	420	09.97-04.08	*	*
124 C/420 (DC 12.01)		Diesel		11705	309	420	05.96-04.08	*	*
124 C/420 (DSC 12.05)		Diesel		11705	309	420	05.96-04.08	*	*
124 C/420 (DC 12.01)		Diesel		11705	309	420	05.96-04.08	*	*
124 C/420 (DSC 12.05)		Diesel		11705	309	420	05.96-04.08	*	*
124 G/420 (DSC 12.05)		Diesel		11705	309	420	05.96-04.08	*	*
124 L/420 (DC 12.01)		Diesel		11705	309	420	09.97-04.08	*	*
124 L/420 (DSC 12.05)		Diesel		11705	309	420	09.97-04.08	*	*
124 L/420 (DSC 12.05)		Diesel		11705	309	420	09.97-04.08	*	*
124 L/420 (DC 12.01)		Diesel		11705	309	420	05.96-04.08	*	*
T 124 C/420 (DC 12.01)		Diesel		11705	309	420	05.96-04.08	*	*
T 124 C/420 (DSC 12.05)		Diesel		11705	309	420	05.96-04.08	*	*
T 124 C/420 (DC 12.01)		Diesel		11705	309	420	09.97-04.08	*	*
T 124 C/420 (DSC 12.05)		Diesel		11705	309	420	09.97-04.08	*	*
T 124 C/420 (DSC 12.05)		Diesel		11705	309	420	05.96-04.08	*	*
T 124 G/420 (DC 12.01)		Diesel		11705	309	420	09.97-04.08	*	*
T 124 G/420 (DSC 12.05)		Diesel		11705	309	420	09.97-04.08	*	*
T 124 G/420 (DC 12.01)		Diesel		11705	309	420	09.97-04.08	*	*
T 124 G/420 (DSC 12.05)		Diesel		11705	309	420	09.97-04.08	*	*
T 124 G/420 (DC 12.01)		Diesel		11705	309	420	09.97-04.08	*	*
T 124 G/420 (DSC 12.05)		Diesel		11705	309	420	05.96-04.08	*	*
T 124 L/420 (DC 12.01)		Diesel		11705	309	420	05.96-04.08	*	*
T 124 L/420 (DSC 12.05)		Diesel		11705	309	420	05.96-04.08	*	*
T 124 L/420 (DC 12.01)		Diesel		11705	309	420	09.97-04.08	*	*
T 124 L/420 (DSC 12.05)		Diesel		11705	309	420	09.97-04.08	*	*
T 124 L/420 (DC 12.01)		Diesel		11705	309	420	09.97-04.08	*	*
T 124 L/420 (DSC 12.05)		Diesel		11705	309	420	09.97-04.08	*	*
T 124 L/420 (DC 12.01)		Diesel		11705	309	420	05.96-04.08	*	*
T 124 L/420 (DSC 12.05)		Diesel		11705	309	420	05.96-04.08	*	*
124 L/440 (DT 12.08)		Diesel		11705	324	440	01.01-04.08	*	*
124 L/440 (DT 12.08)		Diesel		11705	324	440	01.01-04.08	*	*

LISTA DE APLICACIONES - BUYERS GUIDE

124 L/440		Diesel		11705	324	440	01.01-04.08	*	*
124 C/470 (DT 12.02)		Diesel		11705	345	469	01.00-04.08	*	*
124 L/470 (DT 12.02)		Diesel		11705	345	470	01.01-04.08	*	*
124 L/470 (DT 12.02)		Diesel		11705	345	470	01.01-04.08	*	*
124 L/470 (DT 12.02)		Diesel		11705	345	469	01.00-04.08	*	*
124 L/470 (DT 12.02)		Diesel		11705	345	469	01.00-04.08	*	*
124 L/470		Diesel		11705	345	470	01.01-04.08	*	*
T 124 L/470 (DT 12.02)		Diesel		11705	345	470	01.01-04.08	*	*
T 124 L/470 (DT 12.02)		Diesel		11705	345	469	01.00-04.08	*	*
144 C/460 (DSC 14.15)		Diesel		14190	338	460	09.96-04.08	*	*
144 C/460 (DSC 14.15)		Diesel		14190	338	460	09.96-04.08	*	*
144 G/460 (DSC 14.15)		Diesel		14190	338	460	04.96-04.08	*	*
144 G/460 (DSC 14.15)		Diesel		14190	338	460	04.96-04.08	*	*
144 G/460 (DSC 14.15)		Diesel		14190	338	460	04.96-04.08	*	*
144 L/460 (DSC 14.15)		Diesel		14190	338	460	11.95-04.08	*	*
144 L/460 (DSC 14.15)		Diesel		14190	338	460	11.95-04.08	*	*
144 L/460 (DSC 14.15)		Diesel		14190	338	460	11.95-04.08	*	*
T 144 C/460 (DSC 14.15)		Diesel		14190	338	460	09.95-04.08	*	*
T 144 C/460 (DSC 14.15)		Diesel		14190	338	460	09.95-04.08	*	*
T 144 G/460 (DSC 14.15)		Diesel		14190	338	460	03.97-04.08	*	*
T 144 G/460 (DSC 14.15)		Diesel		14190	338	460	03.97-04.08	*	*
T 144 G/460 (DSC 14.15)		Diesel		14190	338	460	03.97-04.08	*	*
T 144 L/460 (DSC 14.15)		Diesel		14190	338	460	03.97-04.08	*	*
T 144 L/460 (DSC 14.15)		Diesel		14190	338	460	09.95-04.08	*	*
T 144 L/460 (DSC 14.15)		Diesel		14190	338	460	09.95-04.08	*	*
T 144 L/460 (DSC 14.15)		Diesel		14190	338	460	03.97-04.08	*	*
144 C/530 (DSC 14.13)		Diesel		14190	390	530	09.96-04.08	*	*
144 C/530 (DSC 14.13)		Diesel		14190	390	530	09.96-04.08	*	*
144 G/530 (DSC 14.13)		Diesel		14190	390	530	04.96-04.08	*	*
144 G/530 (DSC 14.13)		Diesel		14190	390	530	04.96-04.08	*	*
144 G/530 (DSC 14.13)		Diesel		14190	390	530	04.96-04.08	*	*
144 L/530 (DSC 14.13)		Diesel		14190	390	530	11.95-04.08	*	*
144 L/530 (DSC 14.13)		Diesel		14190	390	530	11.95-04.08	*	*
144 L/530 (DSC 14.13)		Diesel		14190	390	530	11.95-04.08	*	*
T 144 C/530 (DSC 14.13)		Diesel		14190	390	530	09.95-04.08	*	*
T 144 C/530 (DSC 14.13)		Diesel		14190	390	530	09.95-04.08	*	*
T 144 G/530 (DSC 14.13)		Diesel		14190	390	530	03.97-04.08	*	*
T 144 G/530 (DSC 14.13)		Diesel		14190	390	530	03.97-04.08	*	*
T 144 G/530 (DSC 14.13)		Diesel		14190	390	530	03.97-04.08	*	*
T 144 L/530 (DSC 14.13)		Diesel		14190	390	530	03.97-04.08	*	*
T 144 L/530 (DSC 14.13)		Diesel		14190	390	530	09.95-04.08	*	*
T 144 L/530 (DSC 14.13)		Diesel		14190	390	530	09.95-04.08	*	*
T 144 L/530 (DSC 14.13)		Diesel		14190	390	530	03.97-04.08	*	*
164 L/480 (DC 16.02)		Diesel		15600	353	480	01.00-04.08	*	*
164 C/480 (DC 16.02)		Diesel		15607	353	480	05.00-04.08	*	*
164 C/480 (DC 16.02)		Diesel		15607	353	480	05.00-04.08	*	*
164 C/480 (DC 16.02)		Diesel		15607	353	480	05.00-04.08	*	*
164 G/480 (DC 16.02)		Diesel		15607	353	480	05.00-04.08	*	*
164 G/480 (DC 16.02)		Diesel		15607	353	480	01.00-04.08	*	*
164 L/480 (DC 16.02)		Diesel		15607	353	480	05.00-04.08	*	*
164 L/480 (DC 16.02)		Diesel		15607	353	480	05.00-04.08	*	*

LISTA DE APLICACIONES - BUYERS GUIDE

164 L/480 (DC 16.02)		Diesel		15607	353	480	05.00-04.08	*	*
164 L/480 (DC 16.02)		Diesel		15607	353	480	01.00-04.08	*	*
164 L/480		Diesel		15607	353	480	05.00-04.08	*	*
164 C/580 (DC 16.01)		Diesel		15607	426	580	05.00-04.08	*	*
164 C/580 (DC 16.01)		Diesel		15607	426	580	05.00-04.08	*	*
164 G/580 (DC 16.01)		Diesel		15607	426	580	05.00-04.08	*	*
164 G/580 (DC 16.01)		Diesel		15607	426	580	05.00-04.08	*	*
164 G/580 (DC 16.01)		Diesel		15607	426	580	05.00-04.08	*	*
164 L/580 (DC 16.01)		Diesel		15607	426	580	05.00-04.08	*	*
164 L/580 (DC 16.01)		Diesel		15607	426	580	05.00-04.08	*	*
164 L/580 (DC 16.01)		Diesel		15607	426	580	05.00-04.08	*	*
164 L/580 (DC 16.01)		Diesel		15607	426	579	01.00-04.08	*	*
164 L/580 (DC 16.01)		Diesel		15607	426	579	01.00-04.08	*	*
164 L/580		Diesel		15607	426	580	05.00-04.08	*	*
4 Series 05.95-							Caja/Chasis		
94 D/270 (DC 9.20)		Diesel		8867	198	269	08.96-04.08	*	*
94 C/310 (DC 9.21)		Diesel		8867	228	310	01.05-04.08	*	*
94 D/220 (DSC 9.11)		Diesel		8974	162	220	08.96-04.08	*	*
94 D/220 (DSC 9.11)		Diesel		8974	162	220	08.96-04.08	*	*
94 D/220 (DSC 9.11)		Diesel		8974	162	220	08.96-04.08	*	*
94 D/220		Diesel		8974	162	220	08.96-04.08	*	*
94 G/220 (DSC 9.11)		Diesel		8974	162	220	08.96-04.08	*	*
94 G/220 (DSC 9.11)		Diesel		8974	162	220	01.98-04.08	*	*
94 G/220		Diesel		8974	162	220	01.98-04.08	*	*
T 94 G/220 (DSC 9.11)		Diesel		8974	162	220	08.96-04.08	*	*
T 94 G/220 (DSC 9.11)		Diesel		8974	162	220	08.96-04.08	*	*
94 D/230 (DC 9.01)		Diesel		8974	169	230	08.99-04.08	*	*
94 D/230 (DC 9.04)		Diesel		8974	169	230	08.99-04.08	*	*
94 D/230 (DC 9.01)		Diesel		8974	169	230	08.99-04.08	*	*
94 D/230 (DC 9.04)		Diesel		8974	169	230	08.99-04.08	*	*
94 D/230 (DC 9.01)		Diesel		8974	169	230	04.99-04.08	*	*
94 D/230		Diesel		8974	169	230	08.99-04.08	*	*
T 94 G/230 (DC 9.01)		Diesel		8974	169	230	04.99-04.08	*	*
T 94 G/230 (DC 9.01)		Diesel		8974	169	230	04.99-04.08	*	*
94 /G260 (DSC 9.12)		Diesel		8974	191	260	08.96-04.08	*	*
94 C/260 (DSC 9.12)		Diesel		8974	191	260	12.96-04.08	*	*
94 C/260 (DSC 9.12)		Diesel		8974	191	260	12.96-04.08	*	*
94 D/260 (DC 9.02)		Diesel		8974	191	260	08.96-04.08	*	*
94 D/260 (DSC 9.12)		Diesel		8974	191	260	08.96-04.08	*	*
94 D/260 (DSC 9.12)		Diesel		8974	191	260	08.96-04.08	*	*
94 D/260 (DC 9.02)		Diesel		8974	191	260	08.96-04.08	*	*
94 D/260 (DC 9.02)		Diesel		8974	191	260	08.96-04.08	*	*
94 D/260 (DSC 9.12)		Diesel		8974	191	260	08.96-04.08	*	*
94 D/260		Diesel		8974	191	260	08.96-04.08	*	*
94 G/260 (DSC 9.12)		Diesel		8974	191	260	08.96-04.08	*	*
94 G/260 (DSC 9.12)		Diesel		8974	191	260	01.98-04.08	*	*
94 G/260 (DSC 9.12)		Diesel		8974	191	260	08.96-04.08	*	*
94 G/260		Diesel		8974	191	260	01.98-04.08	*	*
T 94 C/260 (DSC 9.12)		Diesel		8974	191	260	12.96-04.08	*	*
T 94 C/260 (DSC 9.12)		Diesel		8974	191	260	12.96-04.08	*	*
T 94 G/260 (DSC 9.12)		Diesel		8974	191	260	12.96-04.08	*	*

LISTA DE APLICACIONES - BUYERS GUIDE

T 94 G/260 (DSC 9.12)	Diesel	8974	191	260	12.96-04.08	*	*
T 94 G/260 (DSC 9.12)	Diesel	8974	191	260	12.96-04.08	*	*
94 D/300 (DC 9.03)	Diesel	8974	220	299	08.96-04.08	*	*
94 D/300 (DC 9.03)	Diesel	8974	220	300	08.96-04.08	*	*
94 D/300 (DC 9.03)	Diesel	8974	220	300	08.96-04.08	*	*
T 94 G/310 (DC 9.03)	Diesel	8974	221	300	12.96-04.08	*	*
T 94 G/310 (DSC 9.13)	Diesel	8974	221	300	12.96-04.08	*	*
T 94 G/310 (DSC 9.15)	Diesel	8974	221	300	12.96-04.08	*	*
94 C/310 (DSC 9.13)	Diesel	8974	228	310	08.96-04.08	*	*
94 C/310 (DSC 9.15)	Diesel	8974	228	310	08.96-04.08	*	*
94 C/310 (DSC 9.13)	Diesel	8974	228	310	08.96-04.08	*	*
94 C/310 (DSC 9.15)	Diesel	8974	228	310	08.96-04.08	*	*
94 D/310 (DSC 9.13)	Diesel	8974	228	310	12.96-04.08	*	*
94 D/310 (DSC 9.15)	Diesel	8974	228	310	12.96-04.08	*	*
94 D/310 (DSC 9.13)	Diesel	8974	228	310	01.98-04.08	*	*
94 D/310 (DSC 9.15)	Diesel	8974	228	310	01.98-04.08	*	*
94 D/310 (DSC 9.13)	Diesel	8974	228	310	08.96-04.08	*	*
94 G/310 (DSC 9.13)	Diesel	8974	228	310	08.96-04.08	*	*
94 G/310 (DSC 9.15)	Diesel	8974	228	310	08.96-04.08	*	*
94 G/310 (DSC 9.13)	Diesel	8974	228	310	08.96-04.08	*	*
94 G/310 (DSC 9.13)	Diesel	8974	228	310	08.96-04.08	*	*
94 G/310 (DSC 9.13)	Diesel	8974	228	310	08.96-04.08	*	*
94 L/310 (DSC 9.13)	Diesel	8974	228	310	08.96-04.08	*	*
94 L/310 (DSC 9.15)	Diesel	8974	228	310	08.96-04.08	*	*
94 L/310 (DSC 9.13)	Diesel	8974	228	310	08.96-04.08	*	*
94 L/310 (DSC 9.15)	Diesel	8974	228	310	08.96-04.08	*	*
94 L/310 (DSC 9.13)	Diesel	8974	228	310	08.96-04.08	*	*
94 L/310 (DSC 9.15)	Diesel	8974	228	310	08.96-04.08	*	*
94 L/310 (DSC 9.13)	Diesel	8974	228	310	08.96-04.08	*	*
T 94 C/310 (DSC 9.13)	Diesel	8974	228	310	09.96-04.08	*	*
T 94 C/310 (DSC 9.13)	Diesel	8974	228	310	09.96-04.08	*	*
T 94 G/310 (DSC 9.13)	Diesel	8974	228	310	12.96-04.08	*	*
T 94 G/310 (DSC 9.15)	Diesel	8974	228	310	12.96-04.08	*	*
T 94 G/310 (DSC 9.13)	Diesel	8974	228	310	09.96-04.08	*	*
94 C/310 (DSC 9.13)	Diesel	9000	228	310	08.96-04.08	*	*
94 C/310 (DSC 9.15)	Diesel	9000	228	310	08.96-04.08	*	*
94 G/310 (DSC 9.13)	Diesel	9000	228	310	08.96-04.08	*	*
94 G/310 (DSC 9.15)	Diesel	9000	228	310	08.96-04.08	*	*
114 G/340 (DC 11.01)	Diesel	10600	250	340	03.98-04.08	*	*
114 G/340 (DC 11.03)	Diesel	10600	250	340	03.98-04.08	*	*
114 G/320 (DC 11.07)	Diesel	10640	237	322	01.01-04.08	*	*
114 C/340 (DC 11.01)	Diesel	10640	250	340	03.98-04.08	*	*
114 C/340 (DC 11.03)	Diesel	10640	250	340	03.98-04.08	*	*
114 C/340 (DC 11.01)	Diesel	10640	250	340	03.98-04.08	*	*
114 C/340 (DC 11.03)	Diesel	10640	250	340	03.98-04.08	*	*
114 C/340 (DC 11.01)	Diesel	10640	250	340	05.96-04.08	*	*
114 C/340 (DC 11.03)	Diesel	10640	250	340	05.96-04.08	*	*
114 C/340 (DC 11.03)	Diesel	10640	250	340	05.96-04.08	*	*
114 C/340 (DC 11.03)	Diesel	10640	250	340	05.96-04.08	*	*
114 G/340 (DC 11.01)	Diesel	10640	250	340	03.98-04.08	*	*
114 G/340 (DC 11.03)	Diesel	10640	250	340	03.98-04.08	*	*

LISTA DE APLICACIONES - BUYERS GUIDE

114 L/380 (DC 11.02)	Diesel	10640	280	381	03.98-04.08	*	*
114 L/380 (DC 11.04)	Diesel	10640	280	381	03.98-04.08	*	*
114 L/380 (DC 11.02)	Diesel	10640	280	381	03.98-04.08	*	*
114 L/380 (DC 11.04)	Diesel	10640	280	381	03.98-04.08	*	*
114 L/380	Diesel	10640	280	381	03.98-04.08	*	*
T 114 C/380 (DC 11.02)	Diesel	10640	280	380	03.98-04.08	*	*
T 114 C/380 (DC 11.02)	Diesel	10640	280	380	03.98-04.08	*	*
T 114 G/380 (DC 11.02)	Diesel	10640	280	380	03.98-04.08	*	*
T 114 G/380 (DC 11.02)	Diesel	10640	280	380	03.98-04.08	*	*
T 114 G/380 (DC 11.02)	Diesel	10640	280	380	03.98-04.08	*	*
114 G/340 (DSC 11.79)	Diesel	11000	250	340	05.96-04.08	*	*
114 G/330 (DSC 11.06)	Diesel	11020	229	311	01.04-04.08	*	*
114 C/340 (DSC 11.79)	Diesel	11020	250	340	05.96-04.08	*	*
114 C/340 (DSC 11.79)	Diesel	11020	250	340	05.96-04.08	*	*
114 C/340 (DSC 11.07)	Diesel	11020	250	340	05.96-04.08	*	*
114 C/340 (DSC 11.79)	Diesel	11020	250	340	05.96-04.08	*	*
114 G/340 (DSC 11.79)	Diesel	11020	250	340	05.96-04.08	*	*
114 G/340 (DSC 11.79)	Diesel	11020	250	340	05.96-04.08	*	*
114 G/340 (DSC 11.79)	Diesel	11020	250	340	05.96-04.08	*	*
114 G/340 (DSC 11.79)	Diesel	11020	250	340	05.96-04.08	*	*
114 G/340 (DSC 11.79)	Diesel	11020	250	340	05.96-04.08	*	*
114 G/340 (DSC 11.79)	Diesel	11020	250	340	05.96-04.08	*	*
114 G/340 (DSC 11.79)	Diesel	11020	250	340	05.96-04.08	*	*
114 G/340 (DSC 11.79)	Diesel	11020	250	340	05.96-04.08	*	*
114 G/340 (DSC 11.79)	Diesel	11020	250	340	05.96-04.08	*	*
114 G/340 (DSC 11.79)	Diesel	11020	250	340	05.96-04.08	*	*
114 L/340 (DSC 11.79)	Diesel	11020	250	340	05.96-04.08	*	*
114 L/340 (DSC 11.79)	Diesel	11020	250	340	05.96-04.08	*	*
114 L/340 (DSC 11.79)	Diesel	11020	250	340	05.96-04.08	*	*
114 L/340 (DSC 11.79)	Diesel	11020	250	340	05.96-04.08	*	*
T 114 C/340 (DSC 11.79)	Diesel	11020	250	340	05.96-04.08	*	*
T 114 G/340 (DSC 11.79)	Diesel	11020	250	340	05.96-04.08	*	*
T 114 G/340 (DSC 11.79)	Diesel	11020	250	340	05.96-04.08	*	*
T 114 G/340 (DSC 11.79)	Diesel	11020	250	340	05.96-04.08	*	*
124 L/420 (DC 12.01)	Diesel	11700	309	420	09.97-04.08	*	*
124 L/420 (DSC 12.05)	Diesel	11700	309	420	09.97-04.08	*	*
114 C/360	Diesel	11705	265	360	01.00-04.08	*	*
124 C/360 (DSC 12.02)	Diesel	11705	265	360	09.96-04.08	*	*
124 C/360 (DSC 12.02)	Diesel	11705	265	360	09.96-04.08	*	*
124 C/360 (DSC 12.02)	Diesel	11705	265	360	05.96-04.08	*	*
124 C/360 (DC 12.02)	Diesel	11705	265	360	05.96-04.08	*	*
124 G/360 (DSC 12.02)	Diesel	11705	265	360	05.96-04.08	*	*
124 G/360 (DSC 12.02)	Diesel	11705	265	360	05.96-04.08	*	*
124 G/360 (DSC 12.02)	Diesel	11705	265	360	05.96-04.08	*	*
124 G/360 (DSC 12.02)	Diesel	11705	265	360	05.96-04.08	*	*
124 G/360 (DSC 12.02)	Diesel	11705	265	360	05.96-04.08	*	*
124 G/360	Diesel	11705	265	360	05.96-04.08	*	*
124 L/360 (DSC 12.02)	Diesel	11705	265	360	09.96-04.08	*	*
124 L/360 (DSC 12.02)	Diesel	11705	265	360	09.96-04.08	*	*
124 L/360 (DSC 12.02)	Diesel	11705	265	360	09.96-04.08	*	*
124 L/360	Diesel	11705	265	360	09.96-04.08	*	*
T 124 C/360 (DSC 12.02)	Diesel	11705	265	360	09.95-04.08	*	*

LISTA DE APLICACIONES - BUYERS GUIDE

124 L/440 (DT 12.08)	Diesel	11705	324	440	01.01-04.08	*	*
124 L/440	Diesel	11705	324	440	01.01-04.08	*	*
124 C/470 (DT 12.02)	Diesel	11705	345	469	01.00-04.08	*	*
124 G/470 (DT 12.02)	Diesel	11705	345	469	01.00-04.08	*	*
124 G/470 (DT 12.02)	Diesel	11705	345	469	01.00-04.08	*	*
124 L/470 (DT 12.02)	Diesel	11705	345	470	01.01-04.08	*	*
124 L/470 (DT 12.02)	Diesel	11705	345	470	01.01-04.08	*	*
124 L/470	Diesel	11705	345	470	01.01-04.08	*	*
144 C/460 (DSC 14.15)	Diesel	14190	338	460	09.96-04.08	*	*
144 C/460 (DSC 14.15)	Diesel	14190	338	460	09.96-04.08	*	*
144 G/460 (DSC 14.15)	Diesel	14190	338	460	04.96-04.08	*	*
144 G/460 (DSC 14.15)	Diesel	14190	338	460	04.96-04.08	*	*
144 G/460 (DSC 14.15)	Diesel	14190	338	460	04.96-04.08	*	*
144 G/460 (DSC 14.15)	Diesel	14190	338	460	04.96-04.08	*	*
144 G/460 (DSC 14.15)	Diesel	14190	338	460	04.96-04.08	*	*
144 G/460 (DSC 14.15)	Diesel	14190	338	460	04.96-04.08	*	*
144 G/460	Diesel	14190	338	460	04.96-04.08	*	*
144 L/460 (DSC 14.15)	Diesel	14190	338	460	11.95-04.08	*	*
144 L/460 (DSC 14.15)	Diesel	14190	338	460	11.95-04.08	*	*
144 L/460 (DSC 14.15)	Diesel	14190	338	460	11.95-04.08	*	*
144 L/460	Diesel	14190	338	460	11.95-04.08	*	*
T 144 C/460 (DSC 14.15)	Diesel	14190	338	460	09.95-04.08	*	*
T 144 C/460 (DSC 14.15)	Diesel	14190	338	460	09.95-04.08	*	*
T 144 G/460 (DSC 14.15)	Diesel	14190	338	460	03.97-04.08	*	*
T 144 G/460 (DSC 14.15)	Diesel	14190	338	460	03.97-04.08	*	*
T 144 G/460 (DSC 14.15)	Diesel	14190	338	460	03.97-04.08	*	*
144 C/530 (DSC 14.13)	Diesel	14190	390	530	09.96-04.08	*	*
144 C/530 (DSC 14.13)	Diesel	14190	390	530	09.96-04.08	*	*
144 G/530 (DSC 14.13)	Diesel	14190	390	530	04.96-04.08	*	*
144 G/530 (DSC 14.13)	Diesel	14190	390	530	04.96-04.08	*	*
144 G/530 (DSC 14.13)	Diesel	14190	390	530	04.96-04.08	*	*
144 G/530 (DSC 14.13)	Diesel	14190	390	530	04.96-04.08	*	*
144 G/530 (DSC 14.13)	Diesel	14190	390	530	04.96-04.08	*	*
144 G/530 (DSC 14.13)	Diesel	14190	390	530	04.96-04.08	*	*
144 G/530	Diesel	14190	390	530	04.96-04.08	*	*
144 L/530 (DSC 14.13)	Diesel	14190	390	530	11.95-04.08	*	*
144 L/530 (DSC 14.13)	Diesel	14190	390	530	11.95-04.08	*	*
144 L/530 (DSC 14.13)	Diesel	14190	390	530	01.00-04.08	*	*
144 L/530	Diesel	14190	390	530	10.95-04.08	*	*
T 144 C/530 (DSC 14.13)	Diesel	14190	390	530	09.95-04.08	*	*
T 144 C/530 (DSC 14.13)	Diesel	14190	390	530	09.95-04.08	*	*
T 144 G/530 (DSC 14.13)	Diesel	14190	390	530	03.97-04.08	*	*
T 144 G/530 (DSC 14.13)	Diesel	14190	390	530	03.97-04.08	*	*
T 144 G/530 (DSC 14.13)	Diesel	14190	390	530	03.97-04.08	*	*
144 L/460 (DSC 14.15)	Diesel	14200	338	460	11.95-04.08	*	*
144 L/530 (DSC 14.13)	Diesel	14200	390	530	11.95-04.08	*	*
164 C/480 (DC 16.02)	Diesel	15607	353	480	05.00-04.08	*	*
164 C/480 (DC 16.02)	Diesel	15607	353	480	05.00-04.08	*	*
164 C/480 (DC 16.02)	Diesel	15607	353	480	05.00-04.08	*	*
164 G/480 (DC 16.02)	Diesel	15607	353	480	05.00-04.08	*	*
164 G/480 (DC 16.02)	Diesel	15607	353	480	05.00-04.08	*	*
164 G/480 (DC 16.02)	Diesel	15607	353	480	01.00-04.08	*	*
164 L/480 (DC 16.02)	Diesel	15607	353	480	05.00-04.08	*	*

LISTA DE APLICACIONES - BUYERS GUIDE

114 C/380 (DC 11.02)	Diesel	10640	280	381	03.98-04.08	*	*
114 C/380 (DC 11.02)	Diesel	10640	280	381	03.98-04.08	*	*
114 C/380 (DC 11.04)	Diesel	10640	280	381	03.98-04.08	*	*
T 114 C/380 (DC 11.02)	Diesel	10640	280	380	03.98-04.08	*	*
114 C/340 (DSC 11.79)	Diesel	11020	250	340	05.96-04.08	*	*
114 C/340 (DSC 11.79)	Diesel	11020	250	340	05.96-04.08	*	*
114 C/340 (DSC 11.79)	Diesel	11020	250	340	05.96-04.08	*	*
114 C/340 (DSC 11.79)	Diesel	11020	250	340	05.96-04.08	*	*
114 C/340 (DSC 11.79)	Diesel	11020	250	340	05.96-04.08	*	*
114 C/340 (DSC 11.79)	Diesel	11020	250	340	05.96-04.08	*	*
T 114 C/340 (DSC 11.79)	Diesel	11020	250	340	03.98-04.08	*	*
124 C/360 (DSC 12.02)	Diesel	11705	265	360	09.96-04.08	*	*
124 C/360 (DSC 12.02)	Diesel	11705	265	360	09.96-04.08	*	*
124 C/360 (DSC 12.02)	Diesel	11705	265	360	09.96-04.08	*	*
124 C/360 (DSC 12.02)	Diesel	11705	265	360	09.96-04.08	*	*
124 C/360 (DSC 12.02)	Diesel	11705	265	360	09.96-04.08	*	*
T 124 C/360 (DSC 12.02)	Diesel	11705	265	360	09.95-04.08	*	*
124 C/400 (DSC 12.01)	Diesel	11705	294	400	09.96-04.08	*	*
124 C/400 (DSC 12.01)	Diesel	11705	294	400	09.96-04.08	*	*
124 C/400 (DSC 12.01)	Diesel	11705	294	400	09.96-04.08	*	*
124 C/400 (DSC 12.01)	Diesel	11705	294	400	09.96-04.08	*	*
124 C/400 (DSC 12.01)	Diesel	11705	294	400	09.96-04.08	*	*
T 124 C/400 (DSC 12.01)	Diesel	11705	294	400	05.96-04.08	*	*
124 C/420 (DC 12.01)	Diesel	11705	309	420	05.96-04.08	*	*
T 124 C/420 (DC 12.01)	Diesel	11705	309	420	05.96-04.08	*	*
T 124 C/420 (DSC 12.05)	Diesel	11705	309	420	05.96-04.08	*	*
144 C/460 (DSC 14.15)	Diesel	14190	338	460	09.96-04.08	*	*
144 C/460 (DSC 14.15)	Diesel	14190	338	460	09.96-04.08	*	*
144 C/530 (DSC 14.13)	Diesel	14190	390	530	09.96-04.08	*	*
144 C/530 (DSC 14.13)	Diesel	14190	390	530	09.96-04.08	*	*
164 C/480 (DC 16.02)	Diesel	15607	353	480	05.00-04.08	*	*
164 C/480 (DC 16.02)	Diesel	15607	353	480	05.00-04.08	*	*
164 C/480 (DC 16.02)	Diesel	15607	353	480	05.00-04.08	*	*
164 C/480 (DC 16.02)	Diesel	15607	353	480	05.00-04.08	*	*
164 C/480 (DC 16.02)	Diesel	15607	353	480	05.00-04.08	*	*
4 Series 05.95-						Hormigonera	
114 C/340 (DC 11.01)	Diesel	10640	250	340	05.96-04.08	*	*
114 C/340 (DC 11.03)	Diesel	10640	250	340	05.96-04.08	*	*
114 C/380 (DC 11.02)	Diesel	10640	279	379	03.98-04.08	*	*
114 C/380 (DC 11.04)	Diesel	10640	279	379	03.98-04.08	*	*
114 C/340 (DSC 11.79)	Diesel	11020	250	340	05.96-04.08	*	*
124 C/360 (DSC 12.02)	Diesel	11705	265	360	05.96-04.08	*	*
124 C/360 (DSC 12.02)	Diesel	11705	265	360	05.96-04.08	*	*
P,G,R,T Series 01.03-						Cabeza tractora	
P 230, R 230 (DC 9.13)	Diesel	8867	169	230	09.04-	*	*
P 230, R 230 (DC 9.16)	Diesel	8867	169	230	09.04-	*	*
P 230, R 230 (DC 9.16)	Diesel	8867	169	230	09.05-	*	*
P 230, R 230 (DC 9.16)	Diesel	8867	169	230	09.05-	*	*
P 270, R 270 (DC 9.12)	Diesel	8867	198	270	09.04-	*	*
P 270, R 270 (DC 9.17)	Diesel	8867	198	270	09.04-	*	*
P 270, R 270 (DC 9.17)	Diesel	8867	198	269	04.04-	*	*

LISTA DE APLICACIONES - BUYERS GUIDE

P 270, R 270 (DC 9.17)	Diesel	8867	198	269	04.04-	*	*
P 310, R 310 (DC 9.11)	Diesel	8867	228	310	09.04-	*	*
P 310, R 310 (DC 9.18)	Diesel	8867	228	310	09.04-	*	*
P 310, R 310 (DC 9.18)	Diesel	8867	228	310	04.04-	*	*
P 310, R 310 (DC 9.18)	Diesel	8867	228	310	04.04-	*	*
G 230, P 230 (DC 9.30)	Diesel	9291	169	230	09.07-	*	*
G 230, P 230 (DC 9.35)	Diesel	9291	169	230	09.07-	*	*
G 230, P 230 (DC 9.30)	Diesel	9291	169	230	09.07-	*	*
G 230, P 230 (DC 9.35)	Diesel	9291	169	230	09.07-	*	*
G 230, P 230 (DC 9.30)	Diesel	9291	169	230	09.07-	*	*
G 230, P 230 (DC 9.35)	Diesel	9291	169	230	09.07-	*	*
G 340, P 340, R 340 (DC 11.08)	Diesel	10600	250	340	09.04-	*	*
P 340, R 340 (DC 11.08)	Diesel	10600	250	340	09.04-	*	*
P 380, R380 (DC 11.09)	Diesel	10600	279	380	09.04-	*	*
P 380, R380 (DC 11.09)	Diesel	10600	279	380	09.04-	*	*
G 340, R 340 (DC 12.10)	Diesel	11700	250	340	08.06-	*	*
P 340, R 340 (DC 12.10)	Diesel	11700	250	340	08.06-	*	*
P 340, R 340 (DC 12.10)	Diesel	11700	250	340	10.06-	*	*
P 340, R 340 (DC 12.10)	Diesel	11700	250	340	04.04-	*	*
G 380, P 380 (DC 12.13)	Diesel	11700	279	380	04.04-	*	*
G 380, P 380, R 380 (DC 12.13)	Diesel	11700	279	380	04.04-	*	*
G 380, P 380, R 380 (DC 12.13)	Diesel	11700	280	380	04.04-	*	*
P 380, R380 (DC 12.13)	Diesel	11700	280	380	10.06-	*	*
P 380, R380 (DC 12.13)	Diesel	11700	280	380	10.06-	*	*
P 380, R380 (DC 12.18)	Diesel	11705	279	379	04.04-	*	*
G 380, P 380, R 380 (DC 12.17)	Diesel	11716	279	379	03.08-	*	*
G 380, P 380, R 380 (DC 12.18)	Diesel	11716	279	379	03.08-	*	*
P 380, R380 (DC 12.18)	Diesel	11716	279	380	04.04-	*	*
G 420, P 420, R 420 (DC 12.14)	Diesel	11716	309	420	03.04-	*	*
G 420, P 420, R 420 (DC 12.15)	Diesel	11716	309	420	03.04-	*	*
G 420, P 420, R 420 (DT 12.11)	Diesel	11716	309	420	03.04-	*	*
G 420, P 420, R 420 (DT 12.12)	Diesel	11716	309	420	03.04-	*	*
G 420, R 420 (DT 12.12)	Diesel	11716	309	420	01.08-	*	*
P 420, R 420 (DC 12.14)	Diesel	11716	309	420	08.06-	*	*
P 420, R 420 (DT 12.12)	Diesel	11716	309	420	08.06-	*	*
P 420, R 420 (DC 12.14)	Diesel	11716	309	420	03.04-	*	*
P 420, R 420 (DC 12.15)	Diesel	11716	309	420	03.04-	*	*
P 420, R 420 (DT 12.12)	Diesel	11716	309	420	03.04-	*	*
P 420, R 420 (DC 12.14)	Diesel	11716	309	420	04.04-	*	*
P 420, R 420 (DC 12.15)	Diesel	11716	309	420	04.04-	*	*
P 420, R 420 (DT 12.12)	Diesel	11716	309	420	04.04-	*	*
P 420, R 420 (DC 12.14)	Diesel	11716	309	420	03.04-	*	*
P 420, R 420 (DC 12.15)	Diesel	11716	309	420	03.04-	*	*
P 420, R 420 (DT 12.11)	Diesel	11716	309	420	03.04-	*	*
P 420, R 420 (DC 12.14)	Diesel	11716	309	420	03.04-	*	*
P 420, R 420 (DC 12.15)	Diesel	11716	309	420	03.04-	*	*
P 420, R 420 (DT 12.12)	Diesel	11716	309	420	03.04-	*	*
G 470, P 470, R 470 (DT 12.06)	Diesel	11716	345	470	09.05-	*	*
P 470, R 470 (DT 12.03)	Diesel	11716	345	470	03.04-	*	*
P 470, R 470 (DT 12.06)	Diesel	11716	345	470	03.04-	*	*
G 480, R 480 (DT 12.17)	Diesel	11716	353	480	03.08-	*	*

LISTA DE APLICACIONES - BUYERS GUIDE

G 480, R 480 (DT 12.17)	Diesel	11716	353	480	08.06-	*	*	
G 480, R 480 (DT 12.17)	Diesel	11716	353	480	01.08-	*	*	
P 480, R 480 (DT 12.17)	Diesel	11716	353	480	04.04-	*	*	
P 480, R 480 (DT 12.17)	Diesel	11716	353	480	04.04-	*	*	
G 360, P 360, R 360 (DC 13.06)	Diesel	12742	265	360	04.10-	*	*	
P 360, R 360 (DC 13.06)	Diesel	12742	265	360	04.10-	*	*	
G 400, P 400, R 400 (DC 13.05)	Diesel	12742	294	400	03.08-	*	*	
G 400, P 400, R 400 (DC 13.05)	Diesel	12742	294	400	04.10-	*	*	
G 400, R 400 (DC 13.05)	Diesel	12742	294	400	03.09-	*	*	
G 440, R 440 (DC 13.10)	Diesel	12742	324	441	03.08-	*	*	
G 440, R 440 (DC 13.10)	Diesel	12742	324	441	04.10-	*	*	
G 480, R 480 (DC 13.07)	Diesel	12742	353	480	03.08-	*	*	
G 480, R 480 (DC 13.07)	Diesel	12742	353	480	07.04-	*	*	
G 480, R 480 (DC 13.07)	Diesel	12742	353	480	08.10-	*	*	
G 480, R 480 (DC 13.111)	Diesel	12742	353	480	08.10-	*	*	
G 480, R 480 (DC 13.07)	Diesel	12742	353	480	08.10-	*	*	
G 480, R 480 (DC 13.110)	Diesel	12742	353	480	08.10-	*	*	
G 480, R 480 (DC 13.111)	Diesel	12742	353	480	08.10-	*	*	
G 480, R 480, P 480 (DC 13.07)	Diesel	12742	353	480	04.10-	*	*	
G 490, R 490 (DC 13.125)	Diesel	12742	360	490	09.13-	*	*	
G 490, R 490 (DC 13.125)	Diesel	12742	360	490	09.13-	*	*	
G 490, R 490 (DC 13.125)	Diesel	12742	360	490	09.13-	*	*	
G 490, R 490 (DC 13.125)	Diesel	12742	360	490	09.13-	*	*	
P 500, R 500 (DC 16.04)	Diesel	15600	368	500	04.04-	*	*	
P 500, R 500 (DC 16.06)	Diesel	15600	368	500	04.04-	*	*	
P 500, R 500 (DC 16.09)	Diesel	15600	368	500	04.04-	*	*	
P 500, R 500 (DC 16.19)	Diesel	15600	368	500	04.04-	*	*	
P 500, R 500 (DC 16.04)	Diesel	15600	368	500	04.04-	*	*	
P 500, R 500 (DC 16.06)	Diesel	15600	368	500	04.04-	*	*	
P 500, R 500 (DC 16.09)	Diesel	15600	368	500	04.04-	*	*	
P 500, R 500 (DC 16.06)	Diesel	15600	368	500	03.04-	*	*	
P 500, R 500 (DC 16.09)	Diesel	15600	368	500	03.04-	*	*	
P 560, R 560 (DC 16.05)	Diesel	15600	412	560	04.04-	*	*	
P 560, R 560 (DC 16.05)	Diesel	15600	412	560	11.06-	*	*	
P 560, R 560 (DC 16.18)	Diesel	15600	412	560	11.06-	*	*	
P 560, R 560 (DC 16.05)	Diesel	15600	412	560	11.06-	*	*	
P 580, R 580 (DC 16.03)	Diesel	15600	426	580	04.04-	*	*	
R 580, P 580 (DC 16.03)	Diesel	15600	426	580	07.09-	*	*	
P 620, R 620 (DC 16.08)	Diesel	15600	456	620	08.06-	*	*	
P 620, R 620 (DC 16.08)	Diesel	15600	456	620	11.06-	*	*	
P 620, R 620 (DC 16.17)	Diesel	15600	456	620	11.06-	*	*	
P 620, R 620 (DC 16.08)	Diesel	15600	456	620	11.06-	*	*	
P,G,R,T Series 01.03-							Caja/Chasis	
G 230, P 230 (DC 9.13)	Diesel	8867	169	230	08.06-	*	*	
G 230, P 230 (DC 9.16)	Diesel	8867	169	230	08.06-	*	*	
P 230, R 230 (DC 9.13)	Diesel	8867	169	230	09.04-	*	*	
P 230, R 230 (DC 9.16)	Diesel	8867	169	230	09.04-	*	*	
P 230, R 230 (DC 9.16)	Diesel	8867	169	230	08.06-	*	*	
G 270, P 270 (DC 9.12)	Diesel	8867	198	270	04.04-	*	*	
G 270, P 270 (DC 9.17)	Diesel	8867	198	270	04.04-	*	*	
G 270, P 270, R 270 (DC 9.12)	Diesel	8867	198	270	09.04-	*	*	

LISTA DE APLICACIONES - BUYERS GUIDE

G 270, P 270, R 270 (DC 9.17)	Diesel	8867	198	270	09.04-	*	*
P 270, R 270 (DC 9.17)	Diesel	8867	198	270	08.06-	*	*
G 310, P 310 (DC 9.11)	Diesel	8867	228	310	09.04-	*	*
G 310, P 310 (DC 9.18)	Diesel	8867	228	310	09.04-	*	*
G 310, P 310 (DC 9.11)	Diesel	8867	228	310	09.04-	*	*
G 310, P 310 (DC 9.18)	Diesel	8867	228	310	09.04-	*	*
P 310, R 310 (DC 9.11)	Diesel	8867	228	310	09.04-	*	*
P 310, R 310 (DC 9.18)	Diesel	8867	228	310	09.04-	*	*
P 310, R 310 (DC 9.18)	Diesel	8867	228	310	09.04-	*	*
G 230, P 230 (DC 9.30)	Diesel	9291	169	230	09.07-	*	*
G 230, P 230 (DC 9.35)	Diesel	9291	169	230	09.07-	*	*
G 230, P 230 (DC 9.39)	Diesel	9291	169	230	09.07-	*	*
G 230, P 230 (DC 9.30)	Diesel	9291	169	230	09.07-	*	*
G 230, P 230 (DC 9.35)	Diesel	9291	169	230	09.07-	*	*
G 230, P 230 (DC 9.30)	Diesel	9291	169	230	09.07-	*	*
G 230, P 230 (DC 9.35)	Diesel	9291	169	230	09.07-	*	*
G 340, P 340, R 340 (DC 11.08)	Diesel	10600	250	340	04.04-	*	*
P 340, R 340 (DC 11.08)	Diesel	10600	250	340	04.04-	*	*
P 340, R 340 (DC 11.08)	Diesel	10600	250	340	04.04-	*	*
P 380, R380 (DC 11.09)	Diesel	10600	279	380	04.04-	*	*
P 380, R380 (DC 11.09)	Diesel	10600	279	380	04.04-	*	*
P 380, R380 (DC 11.09)	Diesel	10600	279	380	04.04-	*	*
P 380, R380 (DC 11.09)	Diesel	10600	279	380	04.04-	*	*
P 380, R380 (DC 11.09)	Diesel	10600	279	380	04.04-	*	*
P 380, R380 (DC 11.09)	Diesel	10600	279	380	04.04-	*	*
P 380, R380 (DC 11.09)	Diesel	10600	279	380	04.04-	*	*
P 380, R380 (DC 11.09)	Diesel	10600	279	380	04.04-	*	*
P 380, R380 (DC 11.09)	Diesel	10600	279	379	04.04-	*	*
P 380, R380 (DC 11.09)	Diesel	10600	279	380	04.04-	*	*
G 340, P 340 (DC 12.10)	Diesel	11700	250	340	08.04-	*	*
G 340, P 340 (DC 12.10)	Diesel	11700	250	340	04.04-	*	*
G 340, P 340, R 340 (DC 12.10)	Diesel	11700	250	340	04.04-	*	*
G 340, P 340, R 340 (DC 12.10)	Diesel	11700	250	340	04.04-	*	*
P 340, R 340 (DC 12.10)	Diesel	11700	250	340	04.04-	*	*
P 340, R 340 (DC 12.10)	Diesel	11700	250	340	04.04-	*	*
G 380, P 380 (DC 12.13)	Diesel	11700	279	380	04.04-	*	*
G 380, P 380, R 380 (DC 12.13)	Diesel	11700	279	380	08.04-	*	*
P 380, R380 (DC 12.13)	Diesel	11700	279	380	04.04-	*	*
G 380, P 380, R 380 (DC 12.13)	Diesel	11700	280	380	09.05-	*	*
G 380, P 380, R 380 (DC 12.13)	Diesel	11700	280	380	04.04-	*	*
P 380, R380 (DC 12.13)	Diesel	11700	280	380	09.05-	*	*
P 380, R380 (DC 12.13)	Diesel	11700	280	380	09.05-	*	*
P 380, R380 (DC 12.18)	Diesel	11716	279	379	04.04-	*	*
G 420, P 420, R 420 (DC 12.14)	Diesel	11716	309	420	09.04-	*	*
G 420, P 420, R 420 (DC 12.15)	Diesel	11716	309	420	09.04-	*	*
G 420, P 420, R 420 (DT 12.12)	Diesel	11716	309	420	09.04-	*	*
G 420, P 420, R 420 (DC 12.14)	Diesel	11716	309	420	03.04-	*	*
G 420, P 420, R 420 (DC 12.15)	Diesel	11716	309	420	03.04-	*	*
G 420, P 420, R 420 (DT 12.12)	Diesel	11716	309	420	03.04-	*	*
G 420, R 420 (DT 12.12)	Diesel	11716	309	420	01.08-	*	*
P 420, R 420 (DT 12.12)	Diesel	11716	309	420	09.05-	*	*
P 420, R 420 (DT 12.14)	Diesel	11716	309	420	09.05-	*	*
G 470, R 470 (DT 12.03)	Diesel	11716	345	470	03.04-	*	*
G 470, R 470 (DT 12.06)	Diesel	11716	345	470	03.04-	*	*

LISTA DE APLICACIONES - BUYERS GUIDE

R470 (DT 12.03)		Diesel		11716	345	469	03.04-	*	*
R470 (DT 12.06)		Diesel		11716	345	469	03.04-	*	*
G 480, R 480 (DT 12.17)		Diesel		11716	353	480	01.08-	*	*
G 480, R 480		Diesel		11716	353	480	01.08-	*	*
P 480, R 480 (DT 12.17)		Diesel		11716	353	480	04.10-	*	*
R480 (DT 12.17)		Diesel		11716	353	480	04.04-	*	*
G 360, P 360, R 360 (DC 13.06)		Diesel		12742	265	360	04.10-	*	*
G 360, P 360, R 360 (DC 13.06)		Diesel		12742	265	360	04.10-	*	*
P 360, R 360 (DC 13.06)		Diesel		12742	265	360	04.10-	*	*
P 360, R 360 (DC 13.06)		Diesel		12742	265	360	04.10-	*	*
P 360, R 360 (DC 13.06)		Diesel		12742	265	360	04.10-	*	*
G 400, P 400, R 400 (DC 13.05)		Diesel		12742	294	400	04.10-	*	*
G 400, R 400 (DC 13.05)		Diesel		12742	294	400	03.08-	*	*
P 400, R 400 (DC 13.05)		Diesel		12742	294	400	04.10-	*	*
P 400, R 400 (DC 13.05)		Diesel		12742	294	400	04.10-	*	*
P 400, R 400 (DC 13.05)		Diesel		12742	294	400	04.10-	*	*
G 440, R 440 (DC 13.10)		Diesel		12742	324	441	01.10-	*	*
P 440, R 440 (DC 13.10)		Diesel		12742	324	440	04.10-	*	*
G 480, R 480 (DC 13.07)		Diesel		12742	353	480	01.10-	*	*
G 480, R 480 (DC 13.110)		Diesel		12742	353	480	01.10-	*	*
G 480, R 480 (DC 13.111)		Diesel		12742	353	480	01.10-	*	*
G 480, R 480 (DC 13.07)		Diesel		12742	353	480	08.10-	*	*
G 480, R 480 (DC 13.110)		Diesel		12742	353	480	08.10-	*	*
G 480, R 480 (DC 13.111)		Diesel		12742	353	480	08.10-	*	*
P 480, R 480 (DC 13.07)		Diesel		12742	353	480	04.10-	*	*
G 490, R 490 (DC 13.125)		Diesel		12742	360	490	09.13-	*	*
P 500, R 500 (DC 16.06)		Diesel		15600	368	500	07.09-	*	*
R 560, P 560 (DC 16.05)		Diesel		15600	412	560	07.09-	*	*
P,G,R,T Series 01.03-				Camión volquete					
P 340, R 340 (DC 11.08)		Diesel		10600	250	340	04.04-	*	*
P 380, R380 (DC 11.09)		Diesel		10600	279	380	04.04-	*	*
G 340, P 340 (DC 12.10)		Diesel		11700	250	340	04.04-	*	*
G 340, P 340, R 340 (DC 12.10)		Diesel		11700	250	340	04.04-	*	*
G 380, P 380 (DC 12.13)		Diesel		11700	279	380	04.04-	*	*
G 380, P 380, R 380 (DC 12.13)		Diesel		11700	279	380	04.04-	*	*
G 420, P 420, R 420 (DC 12.14)		Diesel		11716	309	420	09.05-	*	*
G 420, P 420, R 420 (DT 12.12)		Diesel		11716	309	420	09.05-	*	*
G 420, R 420 (DT 12.12)		Diesel		11716	309	420	01.08-	*	*
G 480, R 480 (DT 12.17)		Diesel		11716	353	480	01.08-	*	*
G 480, R 480 (DT 12.17)		Diesel		11716	353	480	04.04-	*	*
G 400, P 400, R 400 (DC 13.05)		Diesel		12742	294	400	07.09-	*	*
G 450, P 450, R 450 (DC 13.124)		Diesel		12742	331	450	09.13-	*	*
G 480, R 480 (DC 13.07)		Diesel		12742	353	480	04.04-	*	*
G 480, R 480 (DC 13.110)		Diesel		12742	353	480	04.04-	*	*
G 480, R 480 (DC 13.111)		Diesel		12742	353	480	04.04-	*	*
G 490, R 490 (DC 13.125)		Diesel		12742	360	490	09.13-	*	*
P 500, R 500 (DC 16.06)		Diesel		15600	368	500	07.09-	*	*
R 560, P 560 (DC 16.05)		Diesel		15600	412	560	07.09-	*	*
P,G,R,T Series 01.03-				Hormigonera					
P 340, R 340 (DC 11.08)		Diesel		10600	250	340	04.04-	*	*
P 380, R380 (DC 11.09)		Diesel		10600	279	380	04.04-	*	*

LISTA DE APLICACIONES - BUYERS GUIDE

G 340, P 340, R 340 (DC 12.10)	Diesel		11700	250	340	04.04-	*	*
G 380, P 380, R 380 (DC 12.13)	Diesel		11700	279	380	04.04-	*	*
SCHMITZ CARGOBULL								
ROTOS 06.06-						Eje remolque		
ROTOS						06.06-		*
ROTOS						06.06-		*
ROTOS						06.06-		*
SETRA								
300 Series 09.91-02.02						Bus		
S313UL, S315H, S315UL, S315NF	Diesel		11967	220	299	09.91-02.02		*
S321UL	Diesel		11967	220	299	09.91-02.02		*
S319NF, S319UL	Diesel		11967	257	350	09.91-02.02		*
S315GT, S315GT-HD, S315HD, S315HDH (OM 446.930)	Diesel		14618	280	381	09.91-02.02		*
S315GT, S315GT-HD, S315HD, S315HDH (OM 446.931)	Diesel		14618	280	381	09.91-02.02		*
S317GT-HD, S317HD, S317HDH, S319GT-HD (OM 442.980)	Diesel		14618	320	435	09.91-02.02		*
S328DT	Diesel		14618	385	524	09.91-02.02	*	
400 Series 06.01-						Bus		
MultiClass S 415 NF (OM 902.926)	Diesel		6374	210	286	01.05-		*
MultiClass S 415 NF (OM 902.934)	Diesel		6374	210	286	01.05-		*
MultiClass S 416 NF (OM 902.926)	Diesel		6374	210	286	01.05-		*
MultiClass S 416 NF (OM 902.934)	Diesel		6374	210	286	01.05-		*
MultiClass S 415 UL (OM 936.912)	Diesel		7698	220	299	01.13-		*
MultiClass S 415 UL	Diesel		7698	260	354	08.16-		*
MultiClass S 417 UL (OM 470.908)	Diesel		10677	265	360	08.16-		*
MultiClass S 417 UL (OM 470.910)	Diesel		10677	290	394	08.16-		*
TopClass S 411 HD (OM 541.950)	Diesel		11946	260	354	10.01-		*
TopClass S 411 HD (OM 541.950)	Diesel		11946	300	408	10.01-		*
ComfortClass S 415 GT (OM 457.941)	Diesel		11967	185	252	10.03-		*
ComfortClass S 415 GT (OM 457.941)	Diesel		11967	220	299	10.03-		*
ComfortClass S 415 GT (OM 457.952)	Diesel		11967	220	299	10.03-		*
ComfortClass S 415 GT (OM 457.965)	Diesel		11967	220	299	10.03-		*
ComfortClass S 416 GT	Diesel		11967	220	299	10.03-		*
MultiClass S 412 UL (OM 457.952)	Diesel		11967	220	299	01.05-		*
MultiClass S 412 UL (OM 457.964)	Diesel		11967	220	299	01.05-		*
MultiClass S 412 UL (OM 457.965)	Diesel		11967	220	299	01.05-		*
MultiClass S 415 H (OM 457.964)	Diesel		11967	220	299	01.05-		*
MultiClass S 415 NF (OM 457.950)	Diesel		11967	220	299	01.05-		*
MultiClass S 415 NF (OM 457.959)	Diesel		11967	220	299	01.05-		*
MultiClass S 415 NF (OM 457.973)	Diesel		11967	220	299	01.05-		*
MultiClass S 415 UL (OM 457.952)	Diesel		11967	220	299	01.05-		*
MultiClass S 415 UL (OM 457.964)	Diesel		11967	220	299	01.05-		*
MultiClass S 415 UL (OM 457.965)	Diesel		11967	220	299	01.05-		*
MultiClass S 416 H (OM 457.964)	Diesel		11967	220	299	01.05-		*
MultiClass S 416 NF (OM 457.950)	Diesel		11967	220	299	01.05-		*
MultiClass S 416 NF (OM 457.959)	Diesel		11967	220	299	01.05-		*
MultiClass S 416 NF (OM 457.973)	Diesel		11967	220	299	01.05-		*
MultiClass S 416 UL (OM 457.952)	Diesel		11967	220	299	01.05-		*
MultiClass S 416 UL (OM 457.964)	Diesel		11967	220	299	01.05-		*
MultiClass S 416 UL (OM 457.965)	Diesel		11967	220	299	01.05-		*

LISTA DE APLICACIONES - BUYERS GUIDE

MultiClass S 417 UL (OM 457.952)	Diesel	11967	220	299	01.05-	*	*
MultiClass S 417 UL (OM 457.964)	Diesel	11967	220	299	01.05-	*	*
MultiClass S 417 UL (OM 457.965)	Diesel	11967	220	299	01.05-	*	*
MultiClass S 419 UL (OM 457.952)	Diesel	11967	220	299	01.05-	*	*
MultiClass S 419 UL (OM 457.964)	Diesel	11967	220	299	01.05-	*	*
MultiClass S 419 UL (OM 457.965)	Diesel	11967	220	299	01.05-	*	*
ComfortClass S 415 GT (OM 457.941)	Diesel	11967	260	354	10.03-	*	*
ComfortClass S 415 GT (OM 457.944)	Diesel	11967	260	354	10.03-	*	*
ComfortClass S 415 GT (OM 457.952)	Diesel	11967	260	354	10.03-	*	*
ComfortClass S 415 GT (OM 457.953)	Diesel	11967	260	354	10.03-	*	*
ComfortClass S 415 GT (OM 457.961)	Diesel	11967	260	354	10.03-	*	*
ComfortClass S 415 GT (OM 457.965)	Diesel	11967	260	354	10.03-	*	*
ComfortClass S 415 GT-HD	Diesel	11967	260	354	10.03-	*	*
ComfortClass S 416 GT-HD (OM 457.953)	Diesel	11967	260	354	10.03-	*	*
ComfortClass S 416 GT-HD (OM 457.961)	Diesel	11967	260	354	10.03-	*	*
ComfortClass S 416 GT-HD	Diesel	11967	260	354	10.03-	*	*
ComfortClass S 417 GT-HD (OM 457.944)	Diesel	11967	260	354	10.03-	*	*
ComfortClass S 417 GT-HD (OM 457.953)	Diesel	11967	260	354	10.03-	*	*
ComfortClass S 417 GT-HD (OM 457.961)	Diesel	11967	260	354	10.03-	*	*
MultiClass S 412 UL (OM 457.952)	Diesel	11967	260	354	01.05-	*	*
MultiClass S 412 UL (OM 457.964)	Diesel	11967	260	354	01.05-	*	*
MultiClass S 412 UL (OM 457.965)	Diesel	11967	260	354	01.05-	*	*
MultiClass S 415 H (OM 457.964)	Diesel	11967	260	354	01.05-	*	
MultiClass S 415 NF (OM 457.950)	Diesel	11967	260	354	01.05-	*	
MultiClass S 415 NF (OM 457.959)	Diesel	11967	260	354	01.05-	*	
MultiClass S 415 NF (OM 457.973)	Diesel	11967	260	354	01.05-	*	
MultiClass S 415 UL (OM 457.952)	Diesel	11967	260	354	01.05-	*	*
MultiClass S 415 UL (OM 457.964)	Diesel	11967	260	354	01.05-	*	*
MultiClass S 415 UL (OM 457.965)	Diesel	11967	260	354	01.05-	*	*
MultiClass S 416 H (OM 457.964)	Diesel	11967	260	354	01.05-	*	
MultiClass S 416 NF (OM 457.950)	Diesel	11967	260	354	01.05-	*	
MultiClass S 416 NF (OM 457.959)	Diesel	11967	260	354	01.05-	*	
MultiClass S 416 NF (OM 457.973)	Diesel	11967	260	354	01.05-	*	
MultiClass S 416 UL (OM 457.952)	Diesel	11967	260	354	01.05-	*	*
MultiClass S 416 UL (OM 457.964)	Diesel	11967	260	354	01.05-	*	*
MultiClass S 416 UL (OM 457.965)	Diesel	11967	260	354	01.05-	*	*
MultiClass S 417 UL (OM 457.964)	Diesel	11967	260	354	01.05-	*	*
MultiClass S 419 UL (OM 457.952)	Diesel	11967	260	354	01.05-	*	*
MultiClass S 419 UL (OM 457.964)	Diesel	11967	260	354	01.05-	*	*
MultiClass S 419 UL (OM 457.965)	Diesel	11967	260	354	01.05-	*	*
TopClass S 415 HD (OM 457.944)	Diesel	11967	260	354	10.01-	*	*
TopClass S 415 HD (OM 457.953)	Diesel	11967	260	354	10.01-	*	*
TopClass S 415 HD (OM 457.961)	Diesel	11967	260	354	10.01-	*	*
TopClass S 415 HDH (OM 457.944)	Diesel	11967	260	354	10.01-	*	
TopClass S 415 HDH (OM 457.953)	Diesel	11967	260	354	10.01-	*	
TopClass S 415 HDH (OM 457.961)	Diesel	11967	260	354	10.01-	*	
TopClass S 416 HDH (OM 457.944)	Diesel	11967	260	354	01.03-	*	*
TopClass S 416 HDH (OM 457.952)	Diesel	11967	260	354	01.03-	*	*
TopClass S 416 HDH (OM 457.953)	Diesel	11967	260	354	01.03-	*	*
TopClass S 416 HDH (OM 457.961)	Diesel	11967	260	354	01.03-	*	*
TopClass S 417 HDH (OM 457.944)	Diesel	11967	260	354	10.03-	*	

LISTA DE APLICACIONES - BUYERS GUIDE

TopClass S 417 HDH (OM 457.953)	Diesel		11967	260	354	10.03-	*	
TopClass S 417 HDH (OM 457.961)	Diesel		11967	260	354	10.03-	*	
ComfortClass S 415 GT (OM 457.941)	Diesel		11967	300	408	10.03-	*	*
ComfortClass S 415 GT (OM 457.944)	Diesel		11967	300	408	10.03-	*	*
ComfortClass S 415 GT (OM 457.952)	Diesel		11967	300	408	10.03-	*	*
ComfortClass S 415 GT (OM 457.965)	Diesel		11967	300	408	10.03-	*	*
ComfortClass S 416 GT (OM 457.952)	Diesel		11967	300	408	10.03-	*	
ComfortClass S 416 GT (OM 457.965)	Diesel		11967	300	408	10.03-	*	
MultiClass S 412 UL (OM 457.952)	Diesel		11967	300	408	01.05-	*	*
MultiClass S 412 UL (OM 457.965)	Diesel		11967	300	408	01.05-	*	*
MultiClass S 415 H	Diesel		11967	300	408	01.05-	*	*
MultiClass S 415 UL (OM 457.952)	Diesel		11967	300	408	01.05-	*	*
MultiClass S 415 UL (OM 457.965)	Diesel		11967	300	408	01.05-	*	*
MultiClass S 416 H (OM 457.965)	Diesel		11967	300	408	01.05-	*	
MultiClass S 416 UL (OM 457.952)	Diesel		11967	300	408	01.05-	*	*
MultiClass S 416 UL (OM 457.965)	Diesel		11967	300	408	01.05-	*	*
MultiClass S 417 UL (OM 457.952)	Diesel		11967	300	408	01.05-	*	*
MultiClass S 417 UL (OM 457.965)	Diesel		11967	300	408	01.05-	*	*
MultiClass S 419 UL (OM 457.952)	Diesel		11967	300	408	01.05-	*	*
MultiClass S 419 UL (OM 457.957)	Diesel		11967	300	408	01.05-	*	*
MultiClass S 419 UL (OM 457.965)	Diesel		11967	300	408	01.05-	*	*
ComfortClass S 415 GT-HD	Diesel		11967	310	421	10.03-	*	*
ComfortClass S 416 GT-HD	Diesel		11967	310	421	10.03-	*	*
ComfortClass S 417 GT-HD	Diesel		11967	310	421	10.03-	*	*
TopClass S 415 HD (OM 457.944)	Diesel		11967	310	422	10.01-	*	*
TopClass S 415 HD (OM 457.953)	Diesel		11967	310	422	10.01-	*	*
TopClass S 415 HD (OM 457.961)	Diesel		11967	310	422	10.01-	*	*
TopClass S 415 HDH (OM 457.944)	Diesel		11967	310	422	10.01-	*	*
TopClass S 415 HDH (OM 457.953)	Diesel		11967	310	422	10.01-	*	*
TopClass S 416 HDH (OM 457.944)	Diesel		11967	310	422	10.02-	*	*
TopClass S 416 HDH (OM 457.953)	Diesel		11967	310	422	10.02-	*	*
TopClass S 417 HDH	Diesel		11967	310	421	10.03-	*	*
ComfortClass S 415 GT-HD (OM 457.953)	Diesel		11967	315	428	10.03-	*	*
ComfortClass S 415 GT-HD (OM 457.961)	Diesel		11967	315	428	10.03-	*	*
ComfortClass S 416 GT-HD	Diesel		11967	315	428	10.03-	*	*
ComfortClass S 416 GT-HD	Diesel		11967	315	428	10.03-	*	*
ComfortClass S 417 GT-HD (OM 457.944)	Diesel		11967	315	422	10.03-	*	*
ComfortClass S 417 GT-HD (OM 457.953)	Diesel		11967	315	422	10.03-	*	*
ComfortClass S 417 GT-HD (OM 457.961)	Diesel		11967	315	422	10.03-	*	*
TopClass S 415 HD	Diesel		11967	315	428	01.08-	*	*
TopClass S 415 HDH	Diesel		11967	315	428	01.08-	*	*
TopClass S 416 HDH	Diesel		11967	315	428	01.08-	*	*
TopClass S 417 HDH	Diesel		11967	315	428	01.08-	*	*
ComfortClass S 415 GT-HD (OM 457.961)	Diesel		11967	335	456	10.03-	*	*
ComfortClass S 416 GT-HD (OM 457.961)	Diesel		11967	335	456	10.03-	*	*
ComfortClass S 416 GT-HD (OM 457.961)	Diesel		11967	335	456	10.03-	*	*
ComfortClass S 417 GT-HD (OM 457.961)	Diesel		11967	335	456	10.03-	*	*
TopClass S 415 HD	Diesel		11967	335	455	10.03-	*	*
TopClass S 415 HDH (OM 457.961)	Diesel		11967	335	456	10.01-	*	*
TopClass S 416 HDH (OM 457.961)	Diesel		11967	335	483	01.03-	*	
TopClass S 417 HDH (OM 457.961)	Diesel		11967	335	483	10.03-	*	

LISTA DE APLICACIONES - BUYERS GUIDE

TopClass S 416 HDH, TopClass S 417 HDH	Diesel		11967	370	503	10.02-	*	*
S 417 GT-HD	Diesel		11995	260	354	06.01-	*	*
S 417 GT-HD	Diesel		11995	310	422	06.01-	*	*
ComfortClass S 416 GT-HD (OM 542.948)	Diesel		15928	320	435	10.03-	*	
ComfortClass S 417 GT-HD (OM 542.948)	Diesel		15928	320	435	10.03-	*	*
TopClass S 415 HD (OM 542.948)	Diesel		15928	320	435	10.01-	*	
TopClass S 415 HDH (OM 542.948)	Diesel		15928	320	435	10.01-	*	
TopClass S 416 HDH (OM 542.948)	Diesel		15928	320	435	10.02-	*	*
TopClass S 417 HDH	Diesel		15928	320	435	10.03-	*	*
TopClass S 431 DT (OM 542.948)	Diesel		15928	320	435	10.02-	*	*
ComfortClass S 416 GT-HD (OM 542.948)	Diesel		15928	350	476	10.03-	*	*
ComfortClass S 417 GT-HD (OM 542.948)	Diesel		15928	350	476	10.03-	*	*
ComfortClass S 417 GT-HD (OM 542.966)	Diesel		15928	350	476	10.03-	*	*
ComfortClass S 419 GT-HD (OM 542.966)	Diesel		15928	350	476	10.03-	*	*
TopClass S 415 HD	Diesel		15928	350	435	10.01-	*	*
TopClass S 415 HDH (OM 542.966)	Diesel		15928	350	476	10.01-	*	
TopClass S 416 HDH (OM 542.966)	Diesel		15928	350	476	10.01-	*	
TopClass S 417 HDH	Diesel		15928	350	476	10.01-	*	*
TopClass S 431 DT (OM 542.966)	Diesel		15928	350	476	10.02-	*	
ComfortClass S 416 GT-HD (OM 542.948)	Diesel		15928	370	503	10.03-	*	*
ComfortClass S 416 GT-HD (OM 542.966)	Diesel		15928	370	503	10.03-	*	*
ComfortClass S 417 GT-HD (OM 542.948)	Diesel		15928	370	503	10.03-	*	*
ComfortClass S 417 GT-HD (OM 542.966)	Diesel		15928	370	503	10.03-	*	*
ComfortClass S 419 GT-HD (OM 542.966)	Diesel		15928	370	503	10.03-	*	
TopClass S 415 HD (OM 542.948)	Diesel		15928	370	503	10.01-	*	
TopClass S 415 HDH (OM 542.948)	Diesel		15928	370	503	10.01-	*	*
TopClass S 415 HDH (OM 542.966)	Diesel		15928	370	503	10.01-	*	*
TopClass S 416 HDH (OM 542.948)	Diesel		15928	370	503	10.02-	*	
TopClass S 416 HDH (OM 542.966)	Diesel		15928	370	503	10.02-	*	
TopClass S 417 HDH (OM 542.948)	Diesel		15928	370	503	10.02-	*	
TopClass S 417 HDH (OM 542.966)	Diesel		15928	370	503	10.02-	*	
TopClass S 431 DT (OM 542.948)	Diesel		15928	370	503	10.02-	*	*
TopClass S 431 DT (OM 542.966)	Diesel		15928	370	503	10.02-	*	*

SILEO

S 01.16-05.22							Bus
S 10	Mixto		0	240	326	01.16-05.22	*
S 12	Mixto		0	240	326	01.16-05.22	*
S 18	Mixto		0	480	653	01.16-05.22	*
S 25	Mixto		0	480	653	01.18-05.22	* *

SMB

O 01.92-							Eje remolque
O-A2020 D1-09						04.92-	*
O-A2040 D1-09						04.92-	*
O-A2095 D1-09						04.92-	*
O-A2130 D1-09						04.92-	*

SOLARIS

10.98-09.06							Bus
Urbino 9 (D 0824 LOH 05)	Diesel		4580	114	155	10.98-09.06	* *
Urbino 10 (ISBE4 250B)	Diesel		6690	187	250	06.02-09.06	* *
Urbino 12 (ISBE4 250B)	Diesel		6690	187	250	06.02-09.06	* *

LISTA DE APLICACIONES - BUYERS GUIDE

Urbino 12 (D 0826 LOH 17)		Diesel		6871	162	220	10.98-09.06	*	*
Urbino 12 (D 0826 LOH 18)		Diesel		6871	191	260	10.98-09.06	*	*
Urbino 15 (D 0826 LOH 18)		Diesel		6871	191	260	10.98-09.06	*	*
Urbino 12 (PF 183 M)		Diesel		9186	183	249	10.98-09.06	*	*
Urbino 12 (PR 183 S)		Diesel		9186	183	249	10.98-09.06	*	*
Urbino 15 (PF 212 M)		Diesel		9186	191	260	10.98-09.06	*	*
Urbino 18 (PF 235 M)		Diesel		9186	235	320	10.98-09.06	*	*
Urbino 18 (D 2866 LOH 25)		Diesel		11967	228	310	06.99-09.06	*	*
Urbino 18 (D 2866 LOH 26)		Diesel		11967	257	350	06.99-09.06	*	*
ALPINO 01.07-								Bus	
Alpino (ISBE4 250B)		Diesel		6690	184	250	01.07-	*	*
TROLLINO 01.07-								Bus	
Trollino 12		Mixto		0	175	238	01.07-	*	*
Trollino 15		Mixto		0	175	238	01.07-	*	*
Trollino 18		Mixto		0	250	340	01.07-	*	*
URBINO 10.06-								Bus	
Urbino 18 HYBRID		Bicombu stible		6690	184	250	02.08-12.18	*	*
URBINO 10.06-								Bus	
Urbino 12.9 (ISBE6 250B)		Diesel		6690	187	250	12.13-12.18	*	
Urbino 10 (ISBE6 280B)		Diesel		6690	206	280	01.12-12.18	*	
Urbino 12 (ISBE6 280B)		Diesel		6690	206	280	01.12-12.18	*	
Urbino 12.9 (ISBE6 280B)		Diesel		6690	206	280	12.13-12.18	*	
Urbino 15		Diesel		8849	250	340	10.06-12.18	*	*
Urbino 18 (ISLE4 340)		Diesel		8849	250	340	10.06-12.18	*	*
Urbino 12		Diesel		9186	183	249	10.06-12.18	*	*
Urbino 15		Diesel		9186	228	310	10.06-12.18	*	*
Urbino 18 (PR 228 S)		Diesel		9186	228	310	10.06-12.18	*	*
Urbino 12 (PR 265 S)		Diesel		9186	265	360	10.06-12.18	*	*
Urbino 15		Diesel		9186	265	360	10.06-12.18	*	*
Urbino 18 (PR 265 S)		Diesel		9186	265	360	10.06-12.18	*	*
Urbino 12 (MX-11 210)		Diesel		10837	210	286	01.12-12.18	*	
Urbino 12.9 (MX-11 210)		Diesel		10837	210	286	12.13-12.18	*	
Urbino 12 (MX-11 240)		Diesel		10837	240	326	01.12-12.18	*	
Urbino 12.9 (MX-11 240)		Diesel		10837	240	326	12.13-12.18	*	
Urbino 15 (MX-11 240)		Diesel		10837	240	326	01.12-12.18	*	
Urbino 18 (MX-11 240)		Diesel		10837	240	326	01.12-12.18	*	
Urbino 12 (MX-11 271)		Diesel		10837	271	368	01.12-12.18	*	
Urbino 12.9 (MX-11 271)		Diesel		10837	271	368	12.13-12.18	*	
Urbino 15 (MX-11 271)		Diesel		10837	271	368	01.12-12.18	*	
Urbino 18 (MX-11 271)		Diesel		10837	271	368	01.12-12.18	*	
URBINO 10.06-								Bus	
Urbino 12 CNG		Gasolina		7790	213	290	02.08-12.18	*	*
Urbino 15 CNG		Gasolina		7790	213	290	02.08-12.18	*	*
Urbino 12 (ISL G 320)		Gasolina		8849	239	320	01.12-12.18	*	
Urbino 15 (ISL G 320)		Gasolina		8849	239	320	01.12-12.18	*	
Urbino 18 (ISL G 320)		Gasolina		8849	239	320	01.12-12.18	*	
VACANZA 06.02-								Bus	
Vacanza 12 (XE 250 C)		Diesel		12580	250	340	06.02-12.06	*	*
Vacanza 12 (XE 280 C)		Diesel		12580	280	381	06.02-12.06	*	*

LISTA DE APLICACIONES - BUYERS GUIDE

Vacanza 12 (XE 315 C)		Diesel		12580	315	428	10.03-12.06	*	*
Vacanza 13 (XE 315 C)		Diesel		12580	315	428	10.03-12.06	*	*
Vacanza 12 (MX 300)		Diesel		12903	300	408	10.05-	*	*
Vacanza 13 (MX 300)		Diesel		12903	300	408	10.05-	*	*
TRENKAMP&GEHLE GMBH (GIGANT)									
Protec							Eje remolque		
DKH1 09010 4345							04.01-		*
DKH1 12010 4345							04.03-		*
DNK1 12010 4345							01.04-		*
DNKH1 09010 4345							05.02-		*
DOKH1 09010 4345							04.01-		*
WRIGHT									
09.21-							Bus		
ELECTROLINER BEV		Mixto		0	250	340	09.21-	*	*
HYDROLINER FCEV		Mixto		0	250	340	09.21-	*	*
YORK									
2790							Eje remolque		
2790/3							01.53-		*
2990							Eje remolque		
2990/2							01.53-		*
2990/7							01.53-		*
SS							Eje remolque		
SS2091							01.53-		*
YUTONG									
ZK6128 01.16-							Bus		
HP375		Diesel		9726	276	375	02.16-	*	*
ZF AXLES									
AV							Eje máquina tractora		
AV132							01.53-		*
AV132/80							01.53-		*
AV132/87							01.53-		*
AVN							Eje máquina tractora		
AVN132							01.53-		*
RL							Eje máquina tractora		
RL75/A							01.53-		*
RL75/EC							01.53-		*