

LISTA DE APLICACIONES - BUYERS GUIDE

RB2085

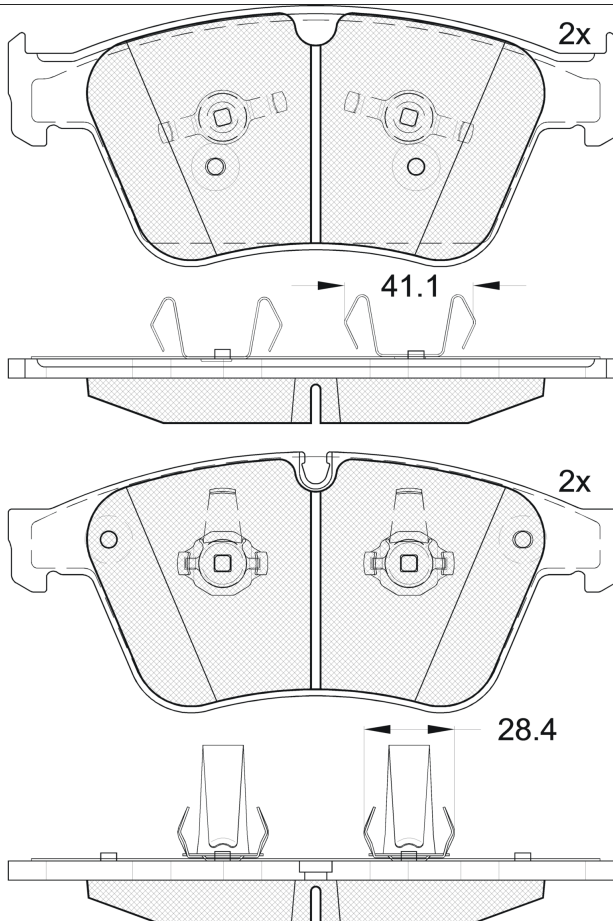


8 424073 138118

Qty: 300

Weight: 3.490

O.E.M.	MAKE
164 420 09 20	MERCEDES-BENZ
164 420 23 20	MERCEDES-BENZ



RB2085

E 9 90R-02A0111/2546



Ate - Teves

193.1x81.9x20.8

WVA	FMSI
24176	D1271-8387
24177	

Sin Filas



Trac.	CC	Kw	CV
-------	----	----	----



Front / Rear

MERCEDES-BENZ

M-Class II (W164) 02.05-12.13

SUV (Executive SUV-J Segment)

ML 63 AMG 4-matic (164.177) (M 156.980)	Gasolina	4WD	6208	375	510	01.06-12.11	*
ML 63 AMG 4-matic (164.177)	Gasolina	4WD	6208	375	510	09.06-12.11	*

R-Class (W251, V251) 08.05-10.17

MPV (Large MPV-M1 Segment)

R 63 AMG 4-matic (251.077,251.177) (M 156.980)	Gasolina	4WD	6208	375	510	02.06-12.10	*
--	----------	-----	------	-----	-----	-------------	---