

LISTA DE APLICACIONES - BUYERS GUIDE

RB2080

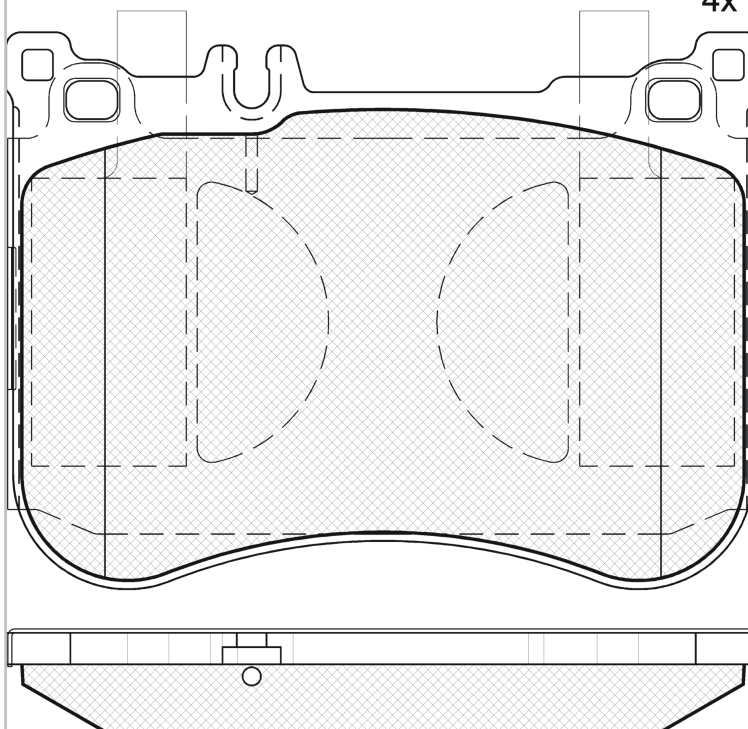


8 424073 138064

Qty: 300

Weight: 3.046

O.E.M.	MAKE
000 420 44 04	MERCEDES-BENZ
0004201006	MERCEDES-BENZ
006 420 50 20	MERCEDES-BENZ
006 420 88 20	MERCEDES-BENZ
006 420 93 20	MERCEDES-BENZ
007 420 33 20	MERCEDES-BENZ
008 420 02 20	MERCEDES-BENZ
008 420 09 20	MERCEDES-BENZ
008 420 33 20	MERCEDES-BENZ



RB2080

4x 90R-02A0111/3570



Brembo

132.1x97.6x18

WVA	FMSI
25706	D1688-8915

Sin Filas



Trac.	CC	Kw	CV		
					Front / Rear

MERCEDES-BENZ

CLS-Class III (C257) 12.17-						Coupé (Executive car-E Segment)			
AMG CLS 53 EQ Boost 4-matic+ (257.361) (M 256.930)		Gasol./el éc.	4WD	2999	320	435	05.18-	*	
E-Class V (A238) 06.17-						Cabrio (Executive car-E Segment)			
AMG E53 EQ Boost 4-matic+ (238.461) (M 256.930)		Gasol./el éc.	4WD	2999	320	435	05.18-	*	
E-Class V (C238) 12.16-						Coupé (Executive car-E Segment)			
AMG E53 EQ Boost 4-matic+ (238.461) (M 256.930)		Gasol./el éc.	4WD	2999	320	435	05.18-	*	
E-Class V (W213) 01.16-						Sedán (Executive car-E Segment)			
AMG E53 EQ Boost 4-matic+ (238.461) (M 256.930)		Gasol./el éc.	4WD	2999	320	435	04.18-10.23	*	
E-Class V T-Model (S213) 07.16-						[CAMBIADO]:Break (Executive car-E Segment)			
AMG E53 EQ Boost 4-matic+ (238.461) (M 256.930)		Gasol./el éc.	4WD	2999	320	435	04.18-10.23	*	
S-Class V (W221, V221) 09.05-12.17						Sedán (Luxury car-F Segment)			
S 550 V32		Gasolina	FWD	5495	281	382	09.05-	*	
S-Class VI (A217) 12.15-						Cabrio (Luxury car-F Segment)			
S 560 (217.483) (M 176.980)		Gasolina	RWD	3982	345	469	10.17-07.20	*	
S 500 (217.482) (M 278.929)		Gasolina	RWD	4663	335	456	12.15-10.17	*	
S-Class VI (C217) 04.14-						Coupé (Luxury car-F Segment)			
S 400 4-matic (217.364) (M 276.824)		Gasolina	4WD	2996	270	367	10.15-07.20	*	
S 450 4-matic (217.364) (M 276.824)		Gasolina	4WD	2996	270	367	12.15-07.20	*	
S 560 (217.383) (M 176.980)		Gasolina	RWD	3982	345	469	10.17-07.20	*	

LISTA DE APLICACIONES - BUYERS GUIDE

S 560 4-matic (217.386) (M 176.980)	Gasolina	4WD	3982	345	469	10.17-07.20	*
S500	Gasolina	FWD	3996	310	422	11.14-	*
S 500 (217.382) (M 278.929)	Gasolina	RWD	4663	335	455	11.14-10.17	*
S 500 4-matic (217.385) (M 278.929)	Gasolina	4WD	4663	335	455	04.14-10.17	*
S 63 AMG 4-matic (217.378) (M 157.985)	Gasolina	4WD	5461	430	585	04.14-10.17	*
S-Class VI (W222, V222, X222) 05.13-			Sedán (Luxury car-F Segment)				
S 320 (222.162) (M 276.824)	Gasolina	RWD	2996	200	272	05.14-07.20	*
S 400 (222.165) (M 276.824)	Gasolina	RWD	2996	245	333	03.14-05.17	*
S 400 4-matic (222.067, 222.167) (M 276.824)	Gasolina	4WD	2996	245	333	11.14-05.17	*
S 400 Maybach 4-matic (222.967) (M 276.824)	Gasolina	4WD	2996	245	333	01.15-05.17	*
S 450 (222.066, 222.166) (M 276.824)	Gasolina	RWD	2996	270	367	02.17-07.20	*
S 450 4-matic (222.064, 222.164) (M 276.824)	Gasolina	4WD	2996	270	367	02.17-07.20	*
S 450 Maybach 4-matic (222.964) (M 276.824)	Gasolina	4WD	2996	270	367	09.17-07.20	*
S 560 (222.083, 222.183) (M 176.980)	Gasolina	RWD	3982	345	469	07.17-07.20	*
S 560 4-matic (222.086, 222.186) (M 176.980)	Gasolina	4WD	3982	345	469	05.17-07.20	*
S 560 Maybach (222.983) (M 176.980)	Gasolina	RWD	3982	345	469	07.17-07.20	*
S 560 Maybach 4-matic (222.986) (M 176.980)	Gasolina	4WD	3982	345	469	07.17-07.20	*
S 500 (222.082, 222.182) (M 278.929)	Gasolina	RWD	4663	320	435	07.13-05.17	*
S 500 4-matic (222.185) (M 278.929)	Gasolina	4WD	4663	320	435	09.13-05.17	*
S 500 (222.082, 222.182) (M 278.929)	Gasolina	RWD	4663	335	455	05.13-05.17	*
S 500 4-matic (222.085, 222.185) (M 278.929)	Gasolina	4WD	4663	335	455	05.13-05.17	*
S 500 Maybach (222.982) (M 278.929)	Gasolina	RWD	4663	335	455	12.14-05.17	*
S 500 Maybach 4-matic (222.985) (M 278.929)	Gasolina	4WD	4663	335	455	04.15-05.17	*
S 63 AMG (222.077, 222.177) (M 157.985)	Gasolina	RWD	5461	430	585	05.13-05.17	*
S 63 AMG 4-matic (222.178) (M 157.985)	Gasolina	4WD	5461	430	585	05.13-05.17	*
S 560 e (222.173) (M 276.824)	Gasol./el éc.	RWD	2996	270	367	10.18-	*
S 500 Hybrid / e (222.163) (M 276.824)	Gasol./el éc.	RWD	2996	325	442	07.14-05.17	*
S 560 e (222.173) (M 276.824)	Gasol./el éc.	RWD	2996	350	476	10.18-07.20	*
S 450 EQ Boost (222.158, 222.058) (M 256.930)	Gasol./el éc.	RWD	2999	270	367	07.17-07.20	*
S 450 EQ Boost 4-matic (223.161) (M 256.930)	Gasol./el éc.	4WD	2999	270	367	07.17-07.20	*
S 500 EQ Boost (222.060, 222.160) (M 256.930)	Gasol./el éc.	RWD	2999	320	435	07.17-07.20	*
S 400 Hybrid / h (222.057, 222.157) (M 276.960)	Gasol./el éc.	RWD	3498	225	306	05.13-05.17	*
S 300 BlueTEC Hybrid / h (222.104, 222.004) (OM 651.921)	Diesel/el éc.	RWD	2143	150	204	02.14-05.17	*
S 300 BlueTEC Hybrid / h (222.104, 222.004) (OM 651.921)	Diesel/el éc.	RWD	2143	170	231	02.14-05.17	*
S 350 d 4-matic (222.121) (OM 656.929)	Diesel	4WD	2925	183	249	07.18-07.20	*
S 350 d (222.020, 222.120) (OM 656.929)	Diesel	RWD	2925	210	286	07.17-07.20	*
S 350 d 4-matic (222.021, 222.121) (OM 656.929)	Diesel	4WD	2925	210	286	05.17-07.20	*
S 400 d (222.034, 222.134) (OM 656.929)	Diesel	RWD	2925	250	340	07.17-07.20	*
S 400 d 4-matic (222.035, 222.135) (OM 656.929)	Diesel	4WD	2925	250	340	05.17-07.20	*
S 350 BlueTEC 4-matic (222.133) (OM 642.867)	Diesel	4WD	2987	185	252	02.14-05.17	*
S 350 BlueTEC / d (222.132, 222.032, 222.123) (OM 642.861)	Diesel	RWD	2987	190	258	05.13-05.17	*
S 350 BlueTEC / d 4-matic (222.033, 222.133) (OM 642.861)	Diesel	4WD	2987	190	258	02.14-05.17	*
S 350 BlueTEC / d 4-matic (222.033, 222.133) (OM 642.867)	Diesel	4WD	2987	190	258	02.14-05.17	*
SL-Class VI (R231) 12.11-			Cabrio (Grand Tourer-S Segment)				
400 (231.465) (M 276.825)	Gasolina	RWD	2996	245	333	04.14-03.16	*

LISTA DE APLICACIONES - BUYERS GUIDE

400 (231.466) (M 276.825)		Gasolina	RWD	2996	270	367	01.16-04.20	*
350 (231.457) (M 276.954)		Gasolina	RWD	3498	225	306	02.12-04.14	*
500 (231.473) (M 278.927)		Gasolina	RWD	4663	320	435	01.12-04.20	*
500 (231.473) (M 278.927)		Gasolina	RWD	4663	335	455	04.15-04.20	*