

LISTA DE APLICACIONES - BUYERS GUIDE

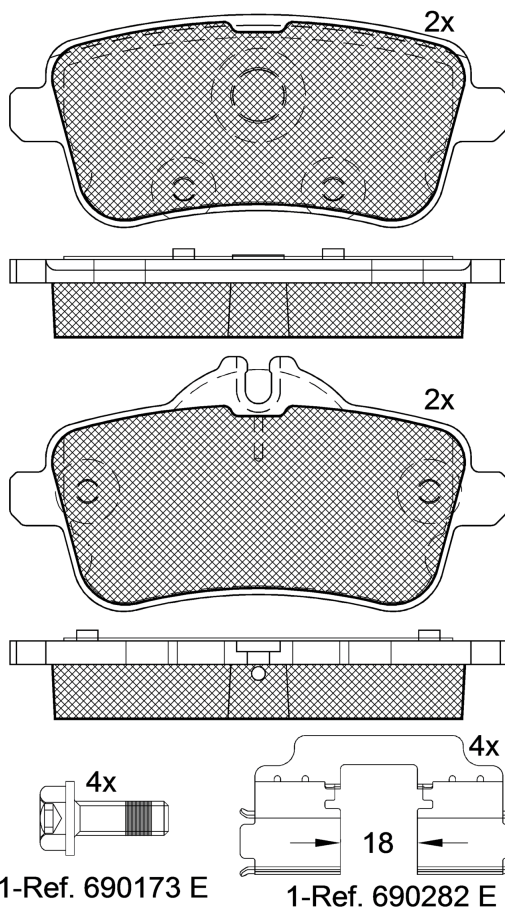
RB2072-067



Qty: 300

Weight: 1.415

O.E.M.	MAKE
0004208104	MERCEDES-BENZ
006 420 40 20	MERCEDES-BENZ
006 420 41 20	MERCEDES-BENZ
007 420 82 20	MERCEDES-BENZ
007 420 83 20	MERCEDES-BENZ



RB2072-067

E 9 90R-02A0111/3453



Trw

116.3x49.8x18.9
116.3x59.6x18.9

WVA	FMSI
25215	D1630-8848
25216	

Sin Filas



Trac.	CC	Kw	CV		
					Front / Rear

MERCEDES-BENZ

MERCEDES-BENZ						SUV (Luxury Crossover SUV-J Segment)			
GL-Class II (X166) 07.12-									
GL 350 CDI / BlueTEC 4-matic (166.824) (OM 642.826)		Diesel	4WD	2987	190	258	07.12-10.15		*
GLE-Class (C292) 03.15-						SUV (Executive SUV-J Segment)			
400 4-matic (166.056) (M 276.821)		Gasolina	4WD	2996	245	333	04.15-10.18		*
400 4-matic (166.056) (M 276.825)		Gasolina	4WD	2996	245	333	04.15-10.18		*
250 d (166.006) (OM 651.960)		Diesel	RWD	2143	150	204	04.15-10.18		*
250 d 4-matic (166.004) (OM 651.960)		Diesel	4WD	2143	150	204	04.15-10.18		*
350 d 4-matic (166.024) (OM 642.826)		Diesel	4WD	2987	183	249	04.15-10.18		*
350 d 4-matic (292.324) (OM 642.826)		Diesel	4WD	2987	183	249	01.17-10.19		*
350 d 4-matic (166.024) (OM 642.826)		Diesel	4WD	2987	190	258	04.15-10.18		*
350 d 4-matic (292.323, 292.324) (OM 642.824)		Diesel	4WD	2987	190	258	03.15-10.19		*
350 d 4-matic (292.323, 292.324) (OM 642.826)		Diesel	4WD	2987	190	258	03.15-10.19		*
GLS-Class II (X166) 11.15-						SUV (Luxury Crossover SUV-J Segment)			
350 d 4-matic (166.824) (OM 642.826)		Diesel	4WD	2987	190	258	11.15-04.19		*
M-Class III (W166) 06.11-						SUV (Executive SUV-J Segment)			
ML 300 4-matic (166.055) (M 276.955)		Gasolina	4WD	3498	183	249	08.12-02.15		*
ML 300 4-matic (166.055) (M 276.955)		Gasolina	4WD	3498	185	252	08.12-02.15		*
ML 350 4-matic (166.057) (M 276.955)		Gasolina	4WD	3498	225	306	06.11-12.15		*
ML 250 CDI / BlueTEC 4-matic (166.004, 166.003) (OM 651.960)		Diesel	4WD	2143	150	204	06.11-12.15		*
ML 350 CDI 4-matic (166.023) (OM 642.940)		Diesel	4WD	2987	170	231	06.11-02.15		*
ML 350 BlueTEC 4-matic (166.024, 166.023) (OM 642.826)		Diesel	4WD	2987	190	258	06.11-02.15		*

LISTA DE APLICACIONES - BUYERS GUIDE

ML 350 BlueTEC 4-matic (166.024, 166.023) (OM 642.864)	Diesel	4WD	2987	190	258	06.11-02.15
--	--------	-----	------	-----	-----	-------------

*