

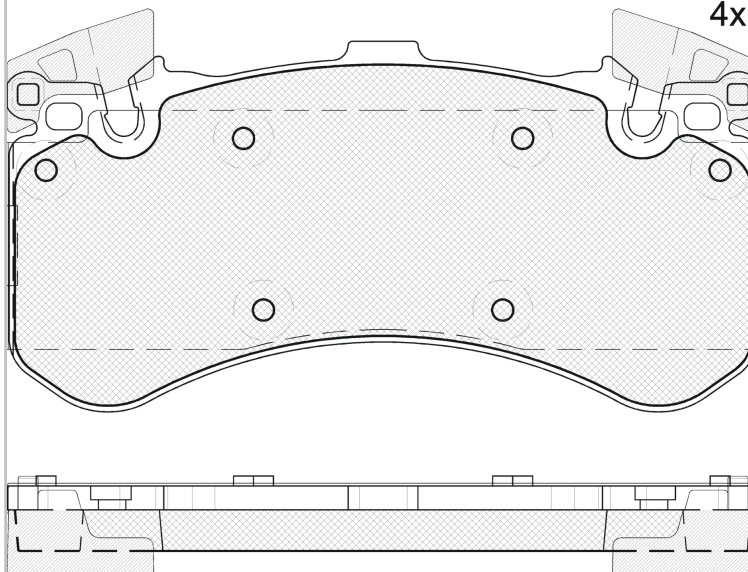
LISTA DE APLICACIONES - BUYERS GUIDE

RB2070



Qty: 300 Weight: 4.435

O.E.M.	MAKE
4G0 698 151 AB	AUDI
4G0 698 151 F	AUDI
4G0698151AF	AUDI
4H0 698 151	AUDI
4H0 698 151 F	AUDI
4H0 698 151 J	AUDI
4H0 698 151 Q	AUDI
4H0 698 151 R	AUDI
4H6 698 151	AUDI



RB2070

E 9 90R-02A0111/3106



Brembo

189.4x101x17

WVA	FMSI
24801	D1575-8788
24847	

Sin Filas



Trac.	CC	Kw	CV
-------	----	----	----



Front / Rear

AUDI

A6 IV C7 (4G2, 4GC) 11.10-

Sedán (Executive car-E Segment)

Engine/Variant	Fuel	Trac.	CC	Kw	CV	Period	Notes
1.8 TFSI (CYGA)	Gasolina	FWD	1798	140	190	09.14-09.18	*
2.0 TFSI (CDNB)	Gasolina	FWD	1984	132	180	05.11-09.18	*
2.0 TFSI (CAEB)	Gasolina	FWD	1984	155	211	03.11-05.13	*
2.0 TFSI quattro (CAEB)	Gasolina	4WD	1984	155	211	05.12-04.15	*
2.0 TFSI (CAED)	Gasolina	FWD	1984	162	220	05.13-09.18	*
2.0 TFSI quattro (CAED)	Gasolina	4WD	1984	162	220	05.13-09.18	*
2.0 TFSI quattro (CYPB)	Gasolina	4WD	1984	183	249	05.15-09.18	*
2.0 TFSI (CYNB)	Gasolina	FWD	1984	185	252	09.14-09.18	*
2.0 TFSI (CYPA)	Gasolina	FWD	1984	185	252	09.14-09.18	*
2.0 TFSI quattro (CYNB)	Gasolina	4WD	1984	185	252	05.14-09.18	*
2.0 TFSI quattro (CYPA)	Gasolina	4WD	1984	185	252	05.14-09.18	*
2.8 FSI (CHVA)	Gasolina	FWD	2773	150	204	11.10-04.15	*
2.8 FSI quattro (CHVA)	Gasolina	4WD	2773	150	204	11.10-04.15	*
2.8 FSI quattro (CVPA)	Gasolina	4WD	2773	162	220	09.14-09.18	*
3.0	Gasolina	FWD	2995	213	290	11.11-	*
3.0	Gasolina	FWD	2995	213	290	11.11-	*
3.0 TFSI quattro (CCAA)	Gasolina	4WD	2995	220	300	11.10-05.12	*
3.0 TFSI quattro (CGWB)	Gasolina	4WD	2995	220	300	11.10-05.12	*
3.0 TFSI quattro (CGWD)	Gasolina	4WD	2995	228	310	03.11-09.18	*
3.0 TFSI quattro (CGXB)	Gasolina	4WD	2995	228	310	03.11-09.18	*
3.0 TFSI quattro (CTUA)	Gasolina	4WD	2995	228	310	03.11-09.18	*
3.0 TFSI quattro (CREC)	Gasolina	4WD	2995	245	333	09.14-09.18	*
S6 quattro (CEUC)	Gasolina	4WD	3993	309	420	02.12-09.18	*

LISTA DE APLICACIONES - BUYERS GUIDE

S6 quattro (CTGE)		Gasolina	4WD	3993	331	450	10.14-09.18	*
2.0 TFSI Hybrid (CHJA)		Gasol./el éc.	FWD	1984	180	245	11.11-04.15	*
2.0 TDI (CSUD)		Diesel	FWD	1968	110	150	09.14-09.18	*
2.0 TDI (DDCB)		Diesel	FWD	1968	110	150	09.14-09.18	*
2.0 TDI (CGLD)		Diesel	FWD	1968	120	163	03.11-09.18	*
2.0 TDI (CGLC)		Diesel	FWD	1968	130	177	03.11-09.18	*
2.0 TDI (CMGB)		Diesel	FWD	1968	130	177	03.11-09.18	*
2.0 TDI (CNHA)		Diesel	FWD	1968	140	190	11.13-09.18	*
2.0 TDI (CZJA)		Diesel	FWD	1968	140	190	11.13-09.18	*
2.0 TDI (DDDA)		Diesel	FWD	1968	140	190	11.13-09.18	*
2.0 TDI quattro (CNHA)		Diesel	4WD	1968	140	190	04.15-09.18	*
2.0 TDI quattro (DDDA)		Diesel	4WD	1968	140	190	04.15-09.18	*
3.0 TDI (CLAB)		Diesel	FWD	2967	150	204	11.10-09.18	*
3.0 TDI quattro (CLAA)		Diesel	4WD	2967	150	204	03.11-09.18	*
3.0 TDI (CTCB)		Diesel	FWD	2967	155	211	09.14-09.18	*
3.0 TDI (CZVD)		Diesel	FWD	2967	155	211	09.14-09.18	*
3.0 TDI quattro (CRTF)		Diesel	4WD	2967	155	211	09.14-09.18	*
3.0 TDI quattro (CZVC)		Diesel	4WD	2967	155	211	09.14-09.18	*
3.0 TDI (CTCC)		Diesel	FWD	2967	160	218	09.14-09.18	*
3.0 TDI (CZVB)		Diesel	FWD	2967	160	218	09.14-09.18	*
3.0 TDI quattro (CRTE)		Diesel	4WD	2967	160	218	09.14-09.18	*
3.0 TDI quattro (CZVA)		Diesel	4WD	2967	160	218	09.14-09.18	*
3.0 TDI quattro		Diesel	4WD	2967	176	239	05.13-	*
3.0 TDI quattro (CDUC)		Diesel	4WD	2967	180	245	03.11-09.18	*
3.0 TDI quattro (CDUD)		Diesel	4WD	2967	180	245	03.11-09.18	*
3.0 TDI quattro (CKVB)		Diesel	4WD	2967	180	245	03.11-09.18	*
3.0 TDI quattro (CKVC)		Diesel	4WD	2967	180	245	03.11-09.18	*
3.0 TDI quattro (CRTD)		Diesel	4WD	2967	200	272	09.14-09.18	*
3.0 TDI quattro (CGQB)		Diesel	4WD	2967	230	313	11.11-09.18	*
3.0 TDI quattro (CVUA)		Diesel	4WD	2967	235	320	09.14-09.18	*
3.0 TDI quattro (CVUB)		Diesel	4WD	2967	240	326	09.14-09.18	*
A6 IV C7 Avant (4G5, 4GD) 05.11-						[CAMBIADO]:Break (Executive car-E Segment)		
1.8 TFSI (CYGA)		Gasolina	FWD	1798	140	190	09.14-09.18	*
2.0 TFSI (CDNB)		Gasolina	FWD	1984	132	180	06.11-09.18	*
2.0 TFSI quattro (CYPB)		Gasolina	4WD	1984	183	249	05.15-09.18	*
2.0 TFSI (CYNB)		Gasolina	FWD	1984	185	252	09.14-09.18	*
2.0 TFSI (CYPA)		Gasolina	FWD	1984	185	252	09.14-09.18	*
2.0 TFSI quattro (CYPA)		Gasolina	4WD	1984	185	252	05.15-09.18	*
2.8 FSI (CHVA)		Gasolina	FWD	2773	150	204	05.11-04.15	*
2.8 FSI quattro (CHVA)		Gasolina	4WD	2773	150	204	05.11-04.15	*
2.8 FSI quattro (CVPA)		Gasolina	4WD	2773	162	220	09.14-09.18	*
3.0 TFSI quattro (CGWB)		Gasolina	4WD	2995	220	300	05.11-05.12	*
3.0 TFSI quattro (CGWD)		Gasolina	4WD	2995	228	310	11.11-09.18	*
3.0 TFSI quattro (CREC)		Gasolina	4WD	2995	245	333	09.14-09.18	*
S6 quattro (CEUC)		Gasolina	4WD	3993	309	420	02.12-09.18	*
S6 quattro (CTGE)		Gasolina	4WD	3993	331	450	10.14-09.18	*
RS6 quattro (CRDB)		Gasolina	4WD	3993	412	560	01.13-09.18	*
RS6 quattro (CWUB)		Gasolina	4WD	3993	412	560	01.13-09.18	*
2.0 TDI (CSUD)		Diesel	FWD	1968	110	150	09.14-09.18	*
2.0 TDI (DDCB)		Diesel	FWD	1968	110	150	09.14-09.18	*

LISTA DE APLICACIONES - BUYERS GUIDE

2.0 TDI (CGLD)		Diesel	FWD	1968	120	163	05.11-09.18	*
2.0 TDI (CGLC)		Diesel	FWD	1968	130	177	05.11-09.18	*
2.0 TDI (CMGB)		Diesel	FWD	1968	130	177	05.11-09.18	*
2.0 TDI (CNHA)		Diesel	FWD	1968	140	190	11.13-09.18	*
2.0 TDI (CZJA)		Diesel	FWD	1968	140	190	11.13-09.18	*
2.0 TDI (DDDA)		Diesel	FWD	1968	140	190	11.13-09.18	*
2.0 TDI quattro (CNHA)		Diesel	4WD	1968	140	190	04.15-09.18	*
2.0 TDI quattro (DDDA)		Diesel	4WD	1968	140	190	04.15-09.18	*
3.0 TDI (CLAB)		Diesel	FWD	2967	150	204	05.11-09.18	*
3.0 TDI quattro (CLAA)		Diesel	4WD	2967	150	204	05.11-09.18	*
3.0 TDI (CTCB)		Diesel	FWD	2967	155	211	09.14-09.18	*
3.0 TDI (CZVD)		Diesel	FWD	2967	155	211	09.14-09.18	*
3.0 TDI quattro (CRTF)		Diesel	4WD	2967	155	211	09.14-09.18	*
3.0 TDI quattro (CZVC)		Diesel	4WD	2967	155	211	09.14-09.18	*
3.0 TDI (CTCC)		Diesel	FWD	2967	160	218	09.14-09.18	*
3.0 TDI (CZVB)		Diesel	FWD	2967	160	218	09.14-09.18	*
3.0 TDI quattro (CRTE)		Diesel	4WD	2967	160	218	09.14-09.18	*
3.0 TDI quattro (CZVA)		Diesel	4WD	2967	160	218	09.14-09.18	*
3.0 TDI quattro (CDUC)		Diesel	4WD	2967	180	245	05.11-09.18	*
3.0 TDI quattro (CDUD)		Diesel	4WD	2967	180	245	05.11-09.18	*
3.0 TDI quattro (CKVB)		Diesel	4WD	2967	180	245	05.11-09.18	*
3.0 TDI quattro (CKVC)		Diesel	4WD	2967	180	245	05.11-09.18	*
3.0 TDI quattro (CRTD)		Diesel	4WD	2967	200	272	09.14-09.18	*
3.0 TDI quattro (CGQB)		Diesel	4WD	2967	230	313	11.11-09.18	*
3.0 TDI quattro (CVUA)		Diesel	4WD	2967	235	320	09.14-09.18	*
3.0 TDI quattro (CVUB)		Diesel	4WD	2967	240	326	09.14-09.18	*
A7 Sportback (4GA, 4GF) 07.10-11.19					[CAMBIADO]:Fastback (Executive car-E Segment)			
1.8 TFSI (CYGA)		Gasolina	FWD	1798	140	190	04.15-05.18	*
2.0 TFSI quattro (CYPB)		Gasolina	4WD	1984	183	249	05.15-05.18	*
2.0 TFSI (CYPA)		Gasolina	FWD	1984	185	252	09.14-05.18	*
2.0 TFSI quattro (CYNB)		Gasolina	4WD	1984	185	252	05.15-05.18	*
2.0 TFSI quattro (CYPA)		Gasolina	4WD	1984	185	252	05.15-05.18	*
2.8 FSI (CHVA)		Gasolina	FWD	2773	150	204	02.11-03.15	*
2.8 FSI quattro (CHVA)		Gasolina	4WD	2773	150	204	10.10-03.15	*
2.8 FSI quattro (CNYA)		Gasolina	4WD	2773	150	204	10.10-03.15	*
2.8 FSI quattro (CVPA)		Gasolina	4WD	2773	162	220	09.14-05.18	*
3.0 TFSI quattro (CGWB)		Gasolina	4WD	2995	220	300	10.10-05.12	*
3.0 TFSI quattro (CHMA)		Gasolina	4WD	2995	220	300	10.10-05.12	*
3.0 TFSI quattro (CGWD)		Gasolina	4WD	2995	228	310	01.11-03.15	*
3.0 TFSI quattro (CGXB)		Gasolina	4WD	2995	228	310	01.11-03.15	*
3.0 TFSI quattro (CTTA)		Gasolina	4WD	2995	228	310	01.11-03.15	*
3.0 TFSI quattro (CTUA)		Gasolina	4WD	2995	228	310	01.11-03.15	*
3.0 TFSI quattro (CREC)		Gasolina	4WD	2995	245	333	05.14-05.18	*
S7 quattro (CEUC)		Gasolina	4WD	3993	309	420	02.12-03.15	*
S7 quattro (CTGE)		Gasolina	4WD	3993	331	450	07.14-05.18	*
3.0 TDI (CZVE)		Diesel	FWD	2967	140	190	11.15-05.18	*
3.0 TDI quattro (CZVE)		Diesel	4WD	2967	140	190	11.15-05.18	*
3.0 TDI quattro (CZVF)		Diesel	4WD	2967	140	190	11.15-05.18	*
3.0 TDI (CLAB)		Diesel	FWD	2967	150	204	11.10-03.15	*
3.0 TDI quattro (CLAA)		Diesel	4WD	2967	150	204	12.10-03.15	*
3.0 TDI (CZVD)		Diesel	FWD	2967	155	211	11.15-05.18	*

LISTA DE APLICACIONES - BUYERS GUIDE

3.0 TDI quattro (CRTF)		Diesel	4WD	2967	155	211	07.14-05.18	*
3.0 TDI quattro (CTCB)		Diesel	4WD	2967	155	211	07.14-05.18	*
3.0 TDI quattro (CZVC)		Diesel	4WD	2967	155	211	07.14-05.18	*
3.0 TDI (CTCC)		Diesel	FWD	2967	160	218	07.14-05.18	*
3.0 TDI (CZVB)		Diesel	FWD	2967	160	218	07.14-05.18	*
3.0 TDI quattro (CRTE)		Diesel	4WD	2967	160	218	07.14-05.18	*
3.0 TDI quattro (CZVA)		Diesel	4WD	2967	160	218	07.14-05.18	*
3.0 TDI quattro (CPNB)		Diesel	4WD	2967	176	239	05.13-06.17	*
3.0 TDI quattro (CDUC)		Diesel	4WD	2967	180	245	10.10-06.16	*
3.0 TDI quattro (CDUD)		Diesel	4WD	2967	180	245	10.10-06.16	*
3.0 TDI quattro (CKVB)		Diesel	4WD	2967	180	245	10.10-06.16	*
3.0 TDI quattro (CKVC)		Diesel	4WD	2967	180	245	10.10-06.16	*
3.0 TDI quattro (CRTD)		Diesel	4WD	2967	200	272	05.14-05.18	*
3.0 TDI quattro (CGQB)		Diesel	4WD	2967	230	313	11.11-03.15	*
3.0 TDI quattro (CVUA)		Diesel	4WD	2967	235	320	05.14-05.18	*
3.0 TDI quattro (CVUB)		Diesel	4WD	2967	240	326	09.14-05.18	*
A8 III D4 (4H2, 4H8, 4HC, 4HL) 11.09-				Sedán (Luxury car-F Segment)				
2.0 TFSI quattro (CYPA)		Gasolina	4WD	1984	185	252	09.16-01.18	*
2.5 TFSI (CPAA)		Gasolina	FWD	2498	150	204	07.12-06.16	*
2.5 TFSI (CVBA)		Gasolina	FWD	2498	150	204	07.12-06.16	*
3.0 TFSI quattro (CGWA)		Gasolina	4WD	2995	213	290	07.10-04.14	*
3.0 TFSI quattro (CGXA)		Gasolina	4WD	2995	213	290	07.10-04.14	*
3.0 TFSI quattro (CREG)		Gasolina	4WD	2995	213	290	07.10-04.14	*
3.0 TFSI quattro (CGWD)		Gasolina	4WD	2995	228	310	11.11-01.18	*
3.0 TFSI quattro (CREA)		Gasolina	4WD	2995	228	310	11.11-01.18	*
3.0 TFSI quattro (CGXC)		Gasolina	4WD	2995	245	333	06.10-01.18	*
3.0 TFSI quattro (CMDA)		Gasolina	4WD	2995	245	333	06.10-01.18	*
3.0 TFSI quattro (CREC)		Gasolina	4WD	2995	245	333	06.10-01.18	*
3.0 TFSI quattro (CTDA)		Gasolina	4WD	2995	245	333	06.10-01.18	*
3.0 TFSI quattro (CTUB)		Gasolina	4WD	2995	245	333	06.10-01.18	*
4.0 TFSI quattro (CEUA)		Gasolina	4WD	3993	309	420	03.12-12.14	*
4.0 TFSI quattro (CTGA)		Gasolina	4WD	3993	320	435	10.13-12.15	*
S8 quattro (CGTA)		Gasolina	4WD	3993	382	520	04.12-01.18	*
S8 quattro (CTFA)		Gasolina	4WD	3993	382	520	04.12-01.18	*
S8 plus quattro (DDTA)		Gasolina	4WD	3993	445	605	11.15-01.18	*
4.2 FSI quattro (CDRA)		Gasolina	4WD	4163	273	371	11.09-12.12	*
6.3 W12 quattro (CEJA)		Gasolina	4WD	6299	368	500	01.11-01.18	*
6.3 W12 quattro (CTNA)		Gasolina	4WD	6299	368	500	01.11-01.18	*
2.0 TFSI Hybrid (CHJA)		Gasol./el éc.	FWD	1984	180	245	02.12-11.15	*
3.0 TDI (CLAB)		Diesel	FWD	2967	150	204	09.11-09.13	*
3.0 TDI quattro (CDTB)		Diesel	4WD	2967	155	211	08.10-11.15	*
3.0 TDI quattro (CTBB)		Diesel	4WD	2967	155	211	08.10-11.15	*
3.0 TDI quattro (CPNA)		Diesel	4WD	2967	176	239	11.12-06.16	*
3.0 TDI quattro (CPNB)		Diesel	4WD	2967	176	239	11.12-06.16	*
3.0 TDI quattro (CDTA)		Diesel	4WD	2967	184	250	07.10-01.18	*
3.0 TDI quattro (CDTC)		Diesel	4WD	2967	184	250	07.10-01.18	*
3.0 TDI quattro (CMHA)		Diesel	4WD	2967	184	250	07.10-01.18	*
3.0 TDI quattro (CTBA)		Diesel	4WD	2967	190	258	10.13-01.18	*
3.0 TDI quattro (CTBD)		Diesel	4WD	2967	193	262	05.15-01.18	*
4.2 TDI quattro (CDSB)		Diesel	4WD	4134	258	351	11.09-04.14	*
4.2 TDI quattro (CTEC)		Diesel	4WD	4134	283	385	10.13-01.18	*

LISTA DE APLICACIONES - BUYERS GUIDE

Q5 (8RB) 11.08-12.17					Furgoneta/SUV (Luxury Crossover SUV-J Segment)			
3.0 TDI quattro	Diesel	4WD	2967	190	258	11.13-05.17	*	
Q5 (8RB) 11.08-					SUV (Luxury Crossover SUV-J Segment)			
SQ5 TFSI quattro (CTUD)	Gasolina	4WD	2995	260	354	05.13-05.17	*	
SQ5 TFSI quattro (CTXA)	Gasolina	4WD	2995	260	354	05.13-05.17	*	
SQ5 TFSI	Gasolina	FWD	2995	264	359	03.14-	*	
2.0 TDI quattro (CNHA)	Diesel	4WD	1968	140	190	11.13-05.17	*	
3.0 TDI quattro (CTBA)	Diesel	4WD	2967	190	258	11.13-05.17	*	
VW								
JETTA V / BORA / VENTO (1K2) 09.04-12.13					Sedán (Compact car-C Segment)			
1.6 MultiFuel (CCSA)	Gasol./Etanol	FWD	1595	75	102	01.08-10.10	*	