

# LISTA DE APLICACIONES - BUYERS GUIDE

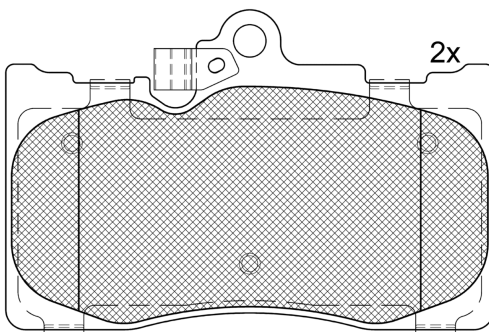
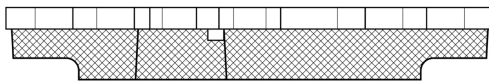
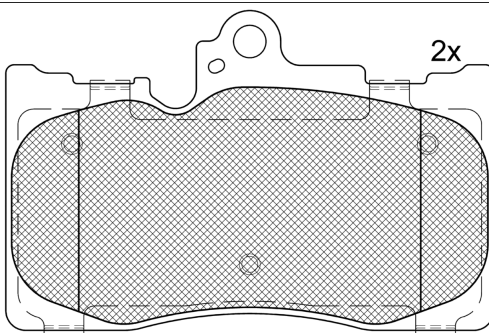
## RB2059



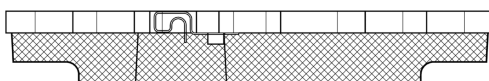
Qty: 300

Weight: 1.853

O.E.M.	MAKE
04465-22340	LEXUS
04465-24050	LEXUS
04465-30400	LEXUS
04465-30400-79	LEXUS
04465-30410	LEXUS
04465-30410-79	TOYOTA
04465-30430	LEXUS
04465-30440	LEXUS
04465-30450	LEXUS
04465-30460	LEXUS
04465-30470	LEXUS
04465-30490	LEXUS
04465-30491	LEXUS
04465-30500	LEXUS
04465-30510	LEXUS
04465-WY030	TOYOTA



Loose Shim



## RB2059

**E 9 90R-02A0111/3395**



Advics

118.45x77.6x17.8

WVA	FMSI
20325	D1118-8224
24396	D1586-8797
25383	

Sin Filas



Trac.	CC	Kw	CV



Front / Rear

### LEXUS

#### GS III ( \_S19\_ ) 01.05-12.12

#### Sedán (Executive car-E Segment)

300 (GRS190_) (3GR-FE)	Gasolina	RWD	2994	170	231	04.05-11.11	*
300 (GRS190_, GRS190R) (3GR-FSE)	Gasolina	RWD	2995	183	249	04.05-11.11	*
350 (GRS196) (2GR-FSE)	Gasolina	RWD	3456	223	303	04.05-12.12	*
350 (GRS191_, GRS191R) (2GR-FSE)	Gasolina	RWD	3456	226	307	08.05-11.11	*
350 AWD (GRS196_, GRS196R) (2GR-FSE)	Gasolina	4WD	3456	226	307	09.06-11.11	*
350 (GRS191_)	Gasolina	FWD	3456	232	316	05.08-11.11	*
350 AWD (GRS196_, GRS196R) (2GR-FSE)	Gasolina	4WD	3456	232	316	05.08-11.11	*
430 (UZS190_, UZS190R) (3UZ-FE)	Gasolina	RWD	4293	208	283	04.05-11.11	*
4.3 VVTi (UZS190_)	Gasolina	RWD	4293	221	300	04.05-11.11	*
460 (URS190_, URS190R) (1UR-FSE)	Gasolina	RWD	4608	255	347	09.07-11.11	*
450h (GRS191_, GWS191_, GRS191R, GWS191R) (2GR-FSE)	Gasol./el éc.	RWD	3456	218	296	02.06-11.11	*
450h (GRS191_, GWS191_, GRS191R, GWS191R) (2GR-FSE)	Gasol./el éc.	RWD	3456	254	345	02.06-11.11	*

#### GS IV ( \_L1\_ ) 08.11-

#### Sedán (Executive car-E Segment)

200t (ARL10_, ARL10R) (8AR-FTS)	Gasolina	RWD	1998	180	245	09.15-	*
300 (ARL10_, ARL10R) (8AR-FTS)	Gasolina	RWD	1998	180	245	09.17-	*
250 (GRL11_, GRL11R) (4GR-FSE)	Gasolina	RWD	2499	154	209	01.12-	*
250 (GRL11_, GRL11R) (4GR-FSE)	Gasolina	RWD	2499	158	215	12.11-08.16	*
350 (GRL10_) (2GR-FSE)	Gasolina	RWD	3456	233	317	03.12-	*
350 AWD (GRL15) (2GR-FSE)	Gasolina	4WD	3456	233	317	03.12-	*
350 (GRL10_, GWL10_, GRL10R, GRL12) (2GR-FSE)	Gasolina	RWD	3456	234	318	01.12-	*
350 AWD (GRL15_, GRL16_, GRL15R) (2GR-FSE)	Gasolina	4WD	3456	234	318	12.11-	*

# LISTA DE APLICACIONES - BUYERS GUIDE

300h (AWL10_, AWL10R) (2AR-FSE)		Gasol./el éc.	RWD	2494	164	223	10.13-	*	
3.5 450h (GWL10) (2GR-FXE)		Gasol./el éc.	RWD	3456	213	290	03.12-09.18	*	
450h (GWL10_) (2GR-FXE)		Gasol./el éc.	RWD	3456	215	292	01.12-	*	
450h (GWL10_, GWL10, GWL10R) (2GR-FXE)		Gasol./el éc.	RWD	3456	254	345	03.12-09.18	*	
450h (GWL10_, GWL10R) (2GR-FXE)		Gasol./el éc.	RWD	3456	254	345	03.12-09.18	*	
<b>IS II (_E2_) 08.05-04.13</b>					<b>Sedán (Executive car-E Segment)</b>				
350 (GSE21_, GSE21R) (2GR-FSE)		Gasolina	RWD	3456	228	310	08.05-03.13	*	
350 AWD (GSE26) (2GR-FSE)		Gasolina	4WD	3456	228	310	09.10-03.13	*	
<b>IS III (_E3_) 04.13-</b>					<b>Sedán (Executive car-E Segment)</b>				
200t (ASE30) (8AR-FTS)		Gasolina	RWD	1998	180	245	08.15-	*	
300 (ASE30_, ASE30R) (8AR-FTS)		Gasolina	RWD	1998	180	245	10.17-	*	
350 (GSE31_, GSE31R) (2GR-FSE)		Gasolina	RWD	3456	233	317	04.13-	*	
300h (AVE30_, AVE30R) (2AR-FSE)		Gasol./el éc.	RWD	2494	164	223	04.13-09.20	*	
<b>IS C (GSE2_) 04.09-</b>					<b>Cabrío (Executive car-E Segment)</b>				
350 (GSE21) (2GR-FSE)		Gasolina	RWD	3456	234	318	11.10-04.13	*	
<b>RC (_C1_) 08.14-</b>					<b>Coupé (Luxury car-F Segment)</b>				
200t (ASC10) (8AR-FTS)		Gasolina	RWD	1998	180	245	08.15-	*	
300 (ASC10_, ASC10R) (8AR-FTS)		Gasolina	RWD	1998	180	245	11.17-	*	
350		Gasolina	FWD	3456	228	310	08.14-	*	
350 (GSC10_) (2GR-FSE)		Gasolina	RWD	3456	228	310	08.14-	*	
350 (GSC10) (2GR-FSE)		Gasolina	RWD	3456	234	318	09.14-11.17	*	
2.5 300h (AVC10)		Gasol./el éc.	RWD	2494	162	220	09.14-	*	
300h (AVC10_, AVC10R) (2AR-FSE)		Gasol./el éc.	RWD	2494	164	223	09.14-	*	
<b>TOYOTA</b>									
<b>CROWN XIII (_S20_) 02.08-11.12</b>					<b>Sedán (Luxury car-F Segment)</b>				
3.5 Hybrid		Gasolina	FWD	3456	218	296	02.08-11.12	*	
3.5 V6		Gasolina	FWD	3456	232	316	02.08-11.12	*	
<b>MARK X / REIZ (GRX13_) 10.09-</b>					<b>Sedán (Executive car-E Segment)</b>				
2.5 (GRX130) (4GR-FSE)		Gasolina	RWD	2499	149	203	10.09-	*	
3.5 (GRX133_, GRX133) (2GR-FSE)		Gasolina	RWD	3456	234	318	10.09-	*	