

LISTA DE APLICACIONES - BUYERS GUIDE

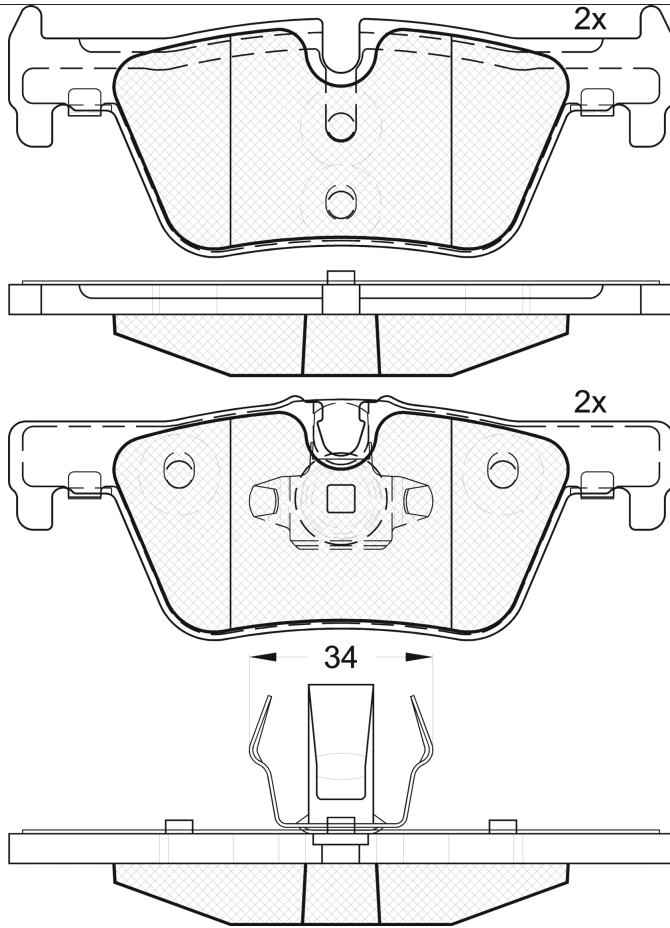
RB2049



Qty: 300

Weight: 975

O.E.M.	MAKE
34 20 6 799 809	BMW
34 20 6 873 093	BMW
34 20 6 873 094	BMW
34 21 2 468 436	BMW
34 21 6 850 569	BMW
34 21 6 873 093	BMW
34 21 8 855 013	BMW



RB2049

E 9 90R-02A0111/3182



Bosch

123.1x45.2x17.5

123.1x46.6x17.5

WVA
25307
25308

FMSI
D1613-8826

Sin Filas



Trac.	CC	Kw	CV
-------	----	----	----



Front / Rear

BMW

1 Serie II (F20) 07.11-06.19

[CAMBIADO]:Fastback (Compact car-C Segment)

Model	Trac.	CC	Kw	CV	Period	Notes
116 i (B38 B15 A)	RWD	1499	80	109	03.15-06.19	*
116 i (B38 B15 A)	RWD	1499	80	109	03.15-06.19	*
118 i (B38 B15 A)	RWD	1499	100	136	07.15-06.19	*
118 i (B38 B15 A)	RWD	1499	100	136	03.15-06.19	*
114 i (N13 B16 A)	RWD	1598	75	102	07.12-02.15	*
114 i (N13 B16 A)	RWD	1598	75	102	07.12-01.15	*
116 i (N13 B16 A)	RWD	1598	100	136	07.11-02.15	*
116 i (N13 B16 A)	RWD	1598	100	136	12.11-02.15	*
118 i (N13 B16 A)	RWD	1598	100	136	03.15-06.15	*
118 i (N13 B16 A)	RWD	1598	100	136	03.15-06.19	*
118 i (N13 B16 A)	RWD	1598	125	170	07.11-02.15	*
118 i (N13 B16 A)	RWD	1598	125	170	07.12-06.19	*
120 i (N13 B16 A)	RWD	1598	130	177	03.15-06.16	*
120 i (N13 B16 A)	RWD	1598	130	177	03.15-06.19	*
120 i Active Flex	FWD	1997	135	184	03.15-	*
125 i (N20 B20 A)	RWD	1997	160	218	03.12-11.17	*
125 i (N20 B20 A)	RWD	1997	160	218	12.11-12.19	*
125 i (N20 B20 A)	RWD	1997	175	238	03.12-11.17	*
125 i (N20 B20 A)	RWD	1997	175	238	03.13-06.19	*
120 i (B48 B20 A)	RWD	1998	135	184	07.16-06.19	*
120 i (B48 B20 A)	RWD	1998	135	184	07.16-06.19	*
125 i (B48 B20 B)	RWD	1998	165	224	07.16-06.19	*
125 i (B48 B20 B)	RWD	1998	165	224	10.15-06.19	*

LISTA DE APLICACIONES - BUYERS GUIDE

125 i Active Flex (N20 B20 A)		Gasol./Etanol	RWD	1997	160	218	11.14-11.17	*
125 i Active Flex		Gasol./Etanol	RWD	1997	160	218	08.14-	*
114 D (B37 D15 A)		Diesel	RWD	1496	70	95	07.15-06.19	*
114 D (B37 D15 A)		Diesel	RWD	1496	70	95	06.15-05.19	*
116 d (B37 D15 A)		Diesel	RWD	1496	85	116	03.15-06.19	*
116 d (B37 D15 A)		Diesel	RWD	1496	85	116	03.15-05.19	*
114 D (N47 D16 A)		Diesel	RWD	1598	70	95	11.12-06.15	*
114 D (N47 D16 A)		Diesel	RWD	1598	70	95	07.12-05.19	*
116 d (N47 D16 A)		Diesel	RWD	1598	85	116	03.12-02.15	*
116 d (N47 D16 A)		Diesel	RWD	1598	85	116	12.11-02.15	*
116 d (N47 D20 C)		Diesel	RWD	1995	85	116	07.11-02.15	*
116 d (N47 D20 C)		Diesel	RWD	1995	85	116	07.12-02.15	*
118 d (B47 D20 A)		Diesel	RWD	1995	100	136	07.11-06.19	*
118 d (N47 D20 C)		Diesel	RWD	1995	100	136	07.11-06.19	*
118 d (N47 D20 C)		Diesel	RWD	1995	100	136	12.11-06.19	*
118 d (N47 D20 C)		Diesel	RWD	1995	105	143	07.11-02.15	*
118 d (N47 D20 C)		Diesel	RWD	1995	105	143	12.11-02.15	*
118 d xDrive (N47 D20 C)		Diesel	4WD	1995	105	143	07.13-02.15	*
118 d xDrive (N47 D20 C)		Diesel	4WD	1995	105	143	05.13-02.15	*
118 d (B47 D20 A)		Diesel	RWD	1995	110	150	03.15-06.19	*
118 d (B47 D20 A)		Diesel	RWD	1995	110	150	03.15-06.19	*
118 d xDrive (B47 D20 A)		Diesel	4WD	1995	110	150	03.15-06.19	*
118 d xDrive (B47 D20 A)		Diesel	4WD	1995	110	150	03.15-05.19	*
120 d (B47 D20 A)		Diesel	RWD	1995	120	163	07.11-06.19	*
120 d (N47 D20 C)		Diesel	RWD	1995	120	163	07.11-06.19	*
120 d (N47 D20 C)		Diesel	RWD	1995	120	163	07.12-06.19	*
120 d (N47 D20 C)		Diesel	RWD	1995	135	184	07.11-02.15	*
120 d (N47 D20 C)		Diesel	RWD	1995	135	184	07.12-02.15	*
120 d xDrive (N47 D20 C)		Diesel	4WD	1995	135	184	11.12-02.15	*
120 d xDrive (N47 D20 C)		Diesel	4WD	1995	135	184	02.12-02.15	*
120 d (B47 D20 A)		Diesel	RWD	1995	140	190	03.15-06.19	*
120 d (B47 D20 A)		Diesel	RWD	1995	140	190	03.15-06.19	*
120 d xDrive (B47 D20 A)		Diesel	4WD	1995	140	190	03.15-06.19	*
120 d xDrive (B47 D20 A)		Diesel	4WD	1995	140	190	03.15-06.19	*
120 d (N47 D20 C)		Diesel	RWD	1995	147	200	07.11-02.15	*
120 d (N47 D20 C)		Diesel	RWD	1995	147	200	01.12-02.15	*
120 d xDrive (N47 D20 C)		Diesel	4WD	1995	147	200	11.12-02.15	*
120 d xDrive (N47 D20 C)		Diesel	4WD	1995	147	200	01.12-02.15	*
120 d		Diesel	RWD	1995	151	205	03.15-06.19	*
120 d		Diesel	RWD	1995	151	205	03.15-06.19	*
120 d xDrive		Diesel	4WD	1995	151	205	03.15-06.19	*
120 d xDrive		Diesel	4WD	1995	151	205	03.15-06.19	*
125 d (B47 D20 B)		Diesel	RWD	1995	155	211	03.12-06.19	*
125 d (N47 D20 D)		Diesel	RWD	1995	155	211	03.12-06.19	*
125 d (N47 D20 D)		Diesel	RWD	1995	155	211	12.11-05.19	*
125 d (N47 D20 D)		Diesel	RWD	1995	160	218	03.12-02.15	*
125 d (N47 D20 D)		Diesel	RWD	1995	160	218	12.11-02.15	*
125 d (B47 D20 B)		Diesel	RWD	1995	165	224	03.15-06.19	*
125 d (B47 D20 B)		Diesel	RWD	1995	165	224	03.15-05.19	*

LISTA DE APLICACIONES - BUYERS GUIDE

1 Serie II Van (F20) 03.15-06.19					Furgón/hatchback (Compact car-C Segment)			
118 i (B38 B15 A)		Gasolina	RWD	1499	100	136	07.15-06.19	*
120 i (B48 B20 A)		Gasolina	RWD	1998	135	184	07.16-06.19	*
118 d (B47 D20 A)		Diesel	RWD	1995	110	150	03.15-06.19	*
120 d (B47 D20 A)		Diesel	RWD	1995	140	190	03.15-06.19	*
2 Active Tourer (F45) 11.13-					MPV (Compact car-C Segment)			
218i (B38 A15 A)		Gasolina	FWD	1499	100	136	07.14-10.21	*
218d		Gasolina	FWD	1995	110	150	09.14-	*
220 i (B48 A20 A)		Gasolina	FWD	1998	141	192	03.14-10.21	*
220 i (B48 A20 F)		Gasolina	FWD	1998	141	192	03.14-10.21	*
225 i (B48 A20 B)		Gasolina	FWD	1998	170	231	11.13-12.19	*
225 i xDrive (B48 A20 B)		Gasolina	4WD	1998	170	231	03.14-10.21	*
214 d (B37 C15 A)		Diesel	FWD	1496	70	95	07.14-02.18	*
216 d (B37 C15 A)		Diesel	FWD	1496	85	116	03.14-10.21	*
218d (B47 C20 A)		Diesel	FWD	1995	110	150	11.13-10.21	*
218d (B47 C20 B)		Diesel	FWD	1995	110	150	11.13-10.21	*
220 d (B47 C20 A)		Diesel	FWD	1995	140	190	03.14-10.21	*
220 d (B47 C20 B)		Diesel	FWD	1995	140	190	03.14-10.21	*
220 d xDrive (B47 C20 A)		Diesel	4WD	1995	140	190	03.14-10.21	*
220 d xDrive (B47 C20 B)		Diesel	4WD	1995	140	190	03.14-10.21	*
2 Active Tourer Van (F45) 11.13-					Furgoneta/MPV (Compact car-C Segment)			
218d (B47 C20 A)		Diesel	FWD	1995	110	150	07.14-10.21	*
218d (B47 C20 B)		Diesel	FWD	1995	110	150	07.14-10.21	*
220 d (B47 C20 A)		Diesel	FWD	1995	140	190	11.14-10.21	*
220 d (B47 C20 B)		Diesel	FWD	1995	140	190	11.14-10.21	*
2 Gran Coupe (F44) 11.19-					Coupé (Compact car-C Segment)			
M 235 i xDrive (B48 A20 E)		Gasolina	4WD	1998	225	306	11.19-	*
220 d (B47 C20 B)		Diesel	FWD	1995	140	190	11.19-	*
2 Gran Tourer (F46) 07.14-					MPV (Compact car-C Segment)			
218i (B38 A15 A)		Gasolina	FWD	1499	100	136	03.15-	*
220 i (B48 A20 A)		Gasolina	FWD	1998	120	163	03.15-	*
220 i (B48 A20 A)		Gasolina	FWD	1998	141	192	03.15-	*
216 d (B37 C15 A)		Diesel	FWD	1496	85	116	03.15-	*
218d (B47 C20 A)		Diesel	FWD	1995	100	136	07.14-	*
218d (B47 C20 B)		Diesel	FWD	1995	100	136	07.14-	*
218 d xDrive (B47 C20 A)		Diesel	4WD	1995	100	136	03.15-	*
218 d xDrive (B47 C20 B)		Diesel	4WD	1995	100	136	03.15-	*
218d (B47 C20 A)		Diesel	FWD	1995	110	150	07.14-	*
218d (B47 C20 B)		Diesel	FWD	1995	110	150	07.14-	*
218 d xDrive (B47 C20 A)		Diesel	4WD	1995	110	150	03.15-	*
218 d xDrive (B47 C20 B)		Diesel	4WD	1995	110	150	03.15-	*
220 d (B47 C20 A)		Diesel	FWD	1995	120	163	09.14-	*
220 d (B47 C20 B)		Diesel	FWD	1995	120	163	09.14-	*
220 d xDrive (B47 C20 A)		Diesel	4WD	1995	120	163	03.15-	*
220 d xDrive (B47 C20 B)		Diesel	4WD	1995	120	163	03.15-	*
220 d xDrive (B47 C20 A)		Diesel	4WD	1995	140	190	03.15-	*
220 d xDrive (B47 C20 B)		Diesel	4WD	1995	140	190	03.15-	*
2 Gran Tourer Van (F46) 07.14-					Furgoneta/MPV (Compact car-C Segment)			
218d (B47 C20 A)		Diesel	FWD	1995	110	150	07.14-	*

LISTA DE APLICACIONES - BUYERS GUIDE

218d (B47 C20 B)		Diesel	FWD	1995	110	150	07.14-	*	
220 d (B47 C20 A)		Diesel	FWD	1995	140	190	07.14-	*	
220 d (B47 C20 B)		Diesel	FWD	1995	140	190	07.14-	*	
2 Serie (F23) 03.14-					Cabrío (Compact car-C Segment)				
218i (B38 B15 A)		Gasolina	RWD	1499	100	136	03.15-06.21	*	
220 i (N20 B20 A)		Gasolina	RWD	1997	135	184	04.14-06.21	*	
220 i (N20 B20 B)		Gasolina	RWD	1997	135	184	04.14-06.21	*	
228 i (N20 B20 A)		Gasolina	RWD	1997	180	245	11.14-06.16	*	
218i		Gasolina	RWD	1998	100	136	11.20-06.21	*	
220 i (B48 B20 A)		Gasolina	RWD	1998	135	184	09.15-06.21	*	
225 i (B48 B20 A)		Gasolina	RWD	1998	135	184	10.17-06.21	*	
230 i (B46 B20 B)		Gasolina	RWD	1998	185	252	07.16-06.21	*	
230 i (B48 B20 B)		Gasolina	RWD	1998	185	252	07.16-06.21	*	
230 i		Gasolina	FWD	1998	185	252	09.16-	*	
M 235 i (N55 B30 A)		Gasolina	RWD	2979	240	326	11.14-06.16	*	
M 235 i xDrive (N55 B30 A)		Gasolina	4WD	2979	240	326	07.15-06.16	*	
218d (B47 D20 A)		Diesel	RWD	1995	100	136	07.15-09.20	*	
218d (B47 D20 A)		Diesel	RWD	1995	110	150	07.15-09.20	*	
220 d (B47 D20 A)		Diesel	RWD	1995	120	163	03.14-09.20	*	
220 d (B47 D20 A)		Diesel	RWD	1995	140	190	03.14-09.20	*	
220 d		Diesel	RWD	1995	151	205	03.14-09.20	*	
225 d (B47 D20 B)		Diesel	RWD	1995	165	224	07.15-05.19	*	
2 Serie (F22, F87) 10.12-					Coupé (Compact car-C Segment)				
218i (B38 B15 A)		Gasolina	RWD	1499	100	136	03.15-06.21	*	
220 i (N20 B20 A)		Gasolina	RWD	1997	135	184	10.13-06.21	*	
220 i (N20 B20 B)		Gasolina	RWD	1997	135	184	10.13-06.21	*	
228 i (N20 B20 A)		Gasolina	RWD	1997	180	245	07.14-06.16	*	
228 i (N26 B20 A)		Gasolina	RWD	1997	180	245	07.14-06.16	*	
220 i (B48 B20 A)		Gasolina	RWD	1998	135	184	09.15-06.21	*	
230 i (B46 B20 B)		Gasolina	RWD	1998	185	252	07.16-06.21	*	
230 i (B48 B20 B)		Gasolina	RWD	1998	185	252	07.16-06.21	*	
230 i		Gasolina	FWD	1998	185	252	09.16-	*	
M 235 i (N55 B30 A)		Gasolina	RWD	2979	240	326	10.13-06.16	*	
M 235 i xDrive (N55 B30 A)		Gasolina	4WD	2979	240	326	07.14-06.16	*	
M2 (N55 B30 A)		Gasolina	RWD	2979	272	370	11.15-06.18	*	
218d (B47 D20 A)		Diesel	RWD	1995	100	136	03.14-09.20	*	
218d (N47 D20 C)		Diesel	RWD	1995	100	136	03.14-09.20	*	
218d (N47 D20 C)		Diesel	RWD	1995	105	143	03.14-06.15	*	
218d (B47 D20 A)		Diesel	RWD	1995	110	150	07.15-09.20	*	
220 d (B47 D20 A)		Diesel	RWD	1995	120	163	11.14-09.20	*	
220 d (N47 D20 C)		Diesel	RWD	1995	120	163	11.14-09.20	*	
220 d xDrive (B47 D20 A)		Diesel	4WD	1995	120	163	03.15-09.20	*	
220 d (N47 D20 C)		Diesel	RWD	1995	135	184	10.13-06.17	*	
220 d (B47 D20 A)		Diesel	RWD	1995	140	190	03.14-09.20	*	
220 d xDrive (B47 D20 A)		Diesel	4WD	1995	140	190	06.14-09.20	*	
220 d (N47 D20 C)		Diesel	RWD	1995	147	200	10.12-11.14	*	
220 d		Diesel	RWD	1995	151	205	03.14-09.20	*	
220 d xDrive		Diesel	4WD	1995	151	205	06.14-09.20	*	
225 d (N47 D20 D)		Diesel	RWD	1995	160	218	01.14-06.17	*	
225 d (B47 D20 B)		Diesel	RWD	1995	165	224	07.15-05.19	*	

LISTA DE APLICACIONES - BUYERS GUIDE

3 Serie VI (U.S.A.) 09.11-					Sedán (Compact executive car-D Segment)			
318i (B38 B15 A)		Gasolina	RWD	1499	100	136	07.15-10.18	*
316 i (N13 B16 A)		Gasolina	RWD	1598	100	136	07.12-08.16	*
320i (N13 B16 A)		Gasolina	RWD	1598	125	170	11.12-06.16	*
320i		Gasolina	FWD	1997	134	182	09.12-	*
320i		Gasolina	RWD	1997	134	182	03.12-10.18	*
320i (N20 B20 A)		Gasolina	RWD	1997	135	184	03.12-10.18	*
320i (N20 B20 B)		Gasolina	RWD	1997	135	184	03.12-10.18	*
320i (N20 B20 D)		Gasolina	RWD	1997	135	184	03.12-10.18	*
320 i Active Flex		Gasolina	FWD	1997	135	184	02.12-	*
320 i xDrive (N20 B20 A)		Gasolina	4WD	1997	135	184	07.12-10.18	*
320 i xDrive (N20 B20 B)		Gasolina	4WD	1997	135	184	07.12-10.18	*
328i (N20 B20 A)		Gasolina	RWD	1997	160	218	11.11-06.15	*
328i (N20 B20 A)		Gasolina	RWD	1997	180	245	11.11-10.18	*
328i (N20 B20 C)		Gasolina	RWD	1997	180	245	11.11-10.18	*
328i (N26 B20 A)		Gasolina	RWD	1997	180	245	11.11-10.18	*
328 i Flex		Gasolina	FWD	1997	180	245	08.14-	*
328 i xDrive (N20 B20 A)		Gasolina	4WD	1997	180	245	07.12-08.16	*
328 i xDrive (N26 B20 A)		Gasolina	4WD	1997	180	245	07.12-08.16	*
320i (B48 B20 A)		Gasolina	RWD	1998	135	184	07.15-10.18	*
320 i xDrive (B48 B20 A)		Gasolina	4WD	1998	135	184	07.15-10.18	*
330i (B46 B20 B)		Gasolina	RWD	1998	185	252	07.15-10.18	*
330i (B48 B20 B)		Gasolina	RWD	1998	185	252	07.15-10.18	*
330 i xDrive (B46 B20 B)		Gasolina	4WD	1998	185	252	07.15-10.18	*
330 i xDrive (B48 B20 A)		Gasolina	4WD	1998	185	252	07.15-10.18	*
330 i xDrive (B48 B20 B)		Gasolina	4WD	1998	185	252	07.15-10.18	*
335 i (N55 B30 A)		Gasolina	RWD	2979	240	326	11.11-06.13	*
335 i xDrive (N55 B30 A)		Gasolina	4WD	2979	240	326	07.12-06.13	*
335 i (N55 B30 A)		Gasolina	RWD	2979	250	340	07.13-07.15	*
335 i xDrive (N55 B30 A)		Gasolina	4WD	2979	250	340	07.12-07.15	*
330 e (B48 B20 A)		Gasol./el éc.	RWD	1998	135	184	11.15-10.18	*
330 e (B48 B20 A)		Gasol./el éc.	RWD	1998	185	252	11.15-10.18	*
316 d (B47 D20 A)		Diesel	RWD	1995	85	116	03.12-10.18	*
316 d (N47 D20 C)		Diesel	RWD	1995	85	116	03.12-10.18	*
318 d (B47 D20 A)		Diesel	RWD	1995	100	136	03.12-10.18	*
318 d (N47 D20 C)		Diesel	RWD	1995	100	136	03.12-10.18	*
318 d (N47 D20 C)		Diesel	RWD	1995	105	143	03.12-06.15	*
318 d xDrive (N47 D20 C)		Diesel	4WD	1995	105	143	07.13-06.15	*
318 d (B47 D20 A)		Diesel	RWD	1995	110	150	07.15-10.18	*
318 d xDrive (B47 D20 A)		Diesel	4WD	1995	110	150	07.15-02.18	*
320 d (B47 D20 A)		Diesel	RWD	1995	120	163	11.11-10.18	*
320 d (N47 D20 C)		Diesel	RWD	1995	120	163	11.11-10.18	*
320 d xDrive (B47 D20 A)		Diesel	4WD	1995	120	163	08.12-10.18	*
320 d xDrive (N47 D20 C)		Diesel	4WD	1995	120	163	08.12-10.18	*
320 d (N47 D20 C)		Diesel	RWD	1995	135	184	11.11-03.16	*
320 d xDrive (N47 D20 C)		Diesel	4WD	1995	135	184	08.12-06.15	*
320 d (B47 D20 A)		Diesel	RWD	1995	140	190	07.15-10.18	*
320 d xDrive (B47 D20 A)		Diesel	4WD	1995	140	190	07.15-10.18	*
320 d (N47 D20 C)		Diesel	RWD	1995	147	200	11.11-03.16	*
320 d xDrive (N47 D20 C)		Diesel	4WD	1995	147	200	08.12-06.15	*

LISTA DE APLICACIONES - BUYERS GUIDE

325 d (N47 D20 D)		Diesel	RWD	1995	155	211	03.13-02.16	*
325 d (N47 D20 D)		Diesel	RWD	1995	160	218	03.13-02.16	*
325 d (B47 D20 B)		Diesel	RWD	1995	165	224	03.16-02.18	*
3 Serie VI GRAN TURISMO (F34) 07.12-					[CAMBIADO]:Fastback (Compact executive car-D Segment)			
320i (N20 B20 A)		Gasolina	RWD	1997	120	163	03.13-06.16	*
320i (N20 B20 B)		Gasolina	RWD	1997	120	163	03.13-06.16	*
320 i xDrive (N20 B20 A)		Gasolina	4WD	1997	120	163	07.13-06.16	*
320 i xDrive (N20 B20 B)		Gasolina	4WD	1997	120	163	07.13-06.16	*
320i (N20 B20 A)		Gasolina	RWD	1997	135	184	03.13-06.16	*
320i (N20 B20 B)		Gasolina	RWD	1997	135	184	03.13-06.16	*
320 i xDrive (N20 B20 A)		Gasolina	4WD	1997	135	184	11.12-06.16	*
320 i xDrive (N20 B20 B)		Gasolina	4WD	1997	135	184	11.12-06.16	*
328i (N20 B20 A)		Gasolina	RWD	1997	180	245	03.13-06.16	*
328i (N26 B20 A)		Gasolina	RWD	1997	180	245	03.13-06.16	*
328 i xDrive (N20 B20 A)		Gasolina	4WD	1997	180	245	07.13-06.16	*
328 i xDrive (N26 B20 A)		Gasolina	4WD	1997	180	245	07.13-06.16	*
320i (B48 B20 A)		Gasolina	RWD	1998	120	163	07.16-	*
320 i xDrive (B48 B20 A)		Gasolina	4WD	1998	120	163	07.16-	*
320i (B48 B20 A)		Gasolina	RWD	1998	135	184	07.16-	*
320 i xDrive (B48 B20 A)		Gasolina	4WD	1998	135	184	07.16-	*
330 i xDrive (B48 B20 B)		Gasolina	4WD	1998	183	249	07.16-	*
330i (B48 B20 B)		Gasolina	RWD	1998	185	252	07.16-	*
330 i xDrive (B46 B20 B)		Gasolina	4WD	1998	185	252	07.16-	*
330 i xDrive (B48 B20 B)		Gasolina	4WD	1998	185	252	07.16-	*
318 d (B47 D20 A)		Diesel	RWD	1995	100	136	03.13-03.18	*
318 d (N47 D20 C)		Diesel	RWD	1995	100	136	03.13-03.18	*
318 d (N47 D20 C)		Diesel	RWD	1995	105	143	03.13-06.15	*
318 d (B47 D20 A)		Diesel	RWD	1995	110	150	07.15-	*
320 d (B47 D20 A)		Diesel	RWD	1995	120	163	03.13-03.18	*
320 d (N47 D20 C)		Diesel	RWD	1995	120	163	03.13-03.18	*
320 d xDrive (B47 D20 A)		Diesel	4WD	1995	120	163	07.13-03.18	*
320 d xDrive (N47 D20 C)		Diesel	4WD	1995	120	163	07.13-03.18	*
320 d (N47 D20 C)		Diesel	RWD	1995	135	184	03.13-06.15	*
320 d xDrive (N47 D20 C)		Diesel	4WD	1995	135	184	07.13-06.15	*
320 d (B47 D20 A)		Diesel	RWD	1995	140	190	07.15-	*
320 d xDrive (B47 D20 A)		Diesel	4WD	1995	140	190	07.15-	*
320 d (N47 D20 C)		Diesel	RWD	1995	147	200	03.13-06.15	*
320 d xDrive (N47 D20 C)		Diesel	4WD	1995	147	200	07.13-06.15	*
325 d (N47 D20 D)		Diesel	RWD	1995	155	211	07.13-06.16	*
325 d (N47 D20 D)		Diesel	RWD	1995	160	218	07.13-06.16	*
325 d (B47 D20 B)		Diesel	RWD	1995	165	224	07.16-02.18	*
3 Serie VI Touring (F31) 07.12-06.19					[CAMBIADO]:Break (Compact executive car-D Segment)			
318i (B38 B15 A)		Gasolina	RWD	1499	100	136	07.15-06.19	*
316 i (N13 B16 A)		Gasolina	RWD	1598	100	136	03.13-06.15	*
320i (N20 B20 B)		Gasolina	RWD	1997	120	163	11.12-06.15	*
320 i xDrive (N20 B20 B)		Gasolina	4WD	1997	120	163	03.13-06.15	*
320i (N20 B20 B)		Gasolina	RWD	1997	135	184	11.12-06.15	*
320 i xDrive (N20 B20 B)		Gasolina	4WD	1997	135	184	03.13-06.15	*
328i (N20 B20 A)		Gasolina	RWD	1997	180	245	07.12-06.15	*
328 i xDrive (N20 B20 A)		Gasolina	4WD	1997	180	245	03.13-06.16	*

LISTA DE APLICACIONES - BUYERS GUIDE

320i (B48 B20 A)		Gasolina	RWD	1998	135	184	07.15-06.19	*
320 i xDrive (B48 B20 A)		Gasolina	4WD	1998	135	184	07.15-06.19	*
330i (B48 B20 A)		Gasolina	RWD	1998	185	252	07.15-06.19	*
330 i xDrive (B48 B20 A)		Gasolina	4WD	1998	185	252	07.15-06.19	*
330 i xDrive (B48 B20 B)		Gasolina	4WD	1998	185	252	07.15-06.19	*
316 d (B47 D20 A)		Diesel	RWD	1995	85	116	11.12-06.19	*
316 d (N47 D20 C)		Diesel	RWD	1995	85	116	11.12-06.19	*
318 d (B47 D20 A)		Diesel	RWD	1995	100	136	11.12-06.19	*
318 d (N47 D20 C)		Diesel	RWD	1995	100	136	11.12-06.19	*
318 d (N47 D20 C)		Diesel	RWD	1995	105	143	11.12-06.15	*
318 d xDrive (N47 D20 C)		Diesel	4WD	1995	105	143	07.13-06.15	*
318 d (B47 D20 A)		Diesel	RWD	1995	110	150	07.15-06.19	*
318 d xDrive (B47 D20 A)		Diesel	4WD	1995	110	150	07.15-02.18	*
320 d (B47 D20 A)		Diesel	RWD	1995	120	163	07.12-06.19	*
320 d (N47 D20 C)		Diesel	RWD	1995	120	163	07.12-06.19	*
320 d xDrive (B47 D20 A)		Diesel	4WD	1995	120	163	03.13-06.19	*
320 d xDrive (N47 D20 C)		Diesel	4WD	1995	120	163	03.13-06.19	*
320 d (N47 D20 C)		Diesel	RWD	1995	135	184	07.12-02.16	*
320 d xDrive (N47 D20 C)		Diesel	4WD	1995	135	184	03.13-06.15	*
320 d (B47 D20 A)		Diesel	RWD	1995	140	190	07.15-06.19	*
320 d xDrive (B47 D20 A)		Diesel	4WD	1995	140	190	07.15-06.19	*
320 d (N47 D20 C)		Diesel	RWD	1995	147	200	07.12-02.16	*
320 d xDrive (N47 D20 C)		Diesel	4WD	1995	147	200	03.13-06.15	*
325 d (N47 D20 D)		Diesel	RWD	1995	155	211	03.13-02.16	*
325 d (N47 D20 D)		Diesel	RWD	1995	160	218	03.13-02.16	*
325 d (B47 D20 B)		Diesel	RWD	1995	165	224	03.16-02.18	*
3 Serie VI Touring Van (F31) 07.12-06.19					[CAMBIADO]:Furgón/Break (Compact executive car-D Segment)			
330i (B48 B20 A)		Gasolina	RWD	1998	185	252	07.15-06.19	*
4 Serie (F33, F83) 10.13-					Cabrio (Compact executive car-D Segment)			
420 i (N20 B20 B)		Gasolina	RWD	1997	120	163	07.14-02.16	*
420 i (N20 B20 B)		Gasolina	RWD	1997	135	184	07.14-02.16	*
428 i (N20 B20 A)		Gasolina	RWD	1997	180	245	11.13-02.17	*
428 i (N26 B20 A)		Gasolina	RWD	1997	180	245	11.13-02.17	*
428 i xDrive (N20 B20 A)		Gasolina	4WD	1997	180	245	03.14-02.16	*
428 i xDrive (N26 B20 A)		Gasolina	4WD	1997	180	245	03.14-02.16	*
420 i (B48 B20 A)		Gasolina	RWD	1998	120	163	03.16-07.20	*
420 i (B48 B20 A)		Gasolina	RWD	1998	135	184	03.16-07.20	*
430 i (B46 B20 B)		Gasolina	RWD	1998	185	252	03.16-07.20	*
430 i (B48 B20 B)		Gasolina	RWD	1998	185	252	03.16-07.20	*
430 i xDrive (B46 B20 B)		Gasolina	4WD	1998	185	252	03.16-07.20	*
430 i xDrive (B48 B20 B)		Gasolina	4WD	1998	185	252	03.16-07.20	*
420 D (B47 D20 A)		Diesel	RWD	1995	120	163	11.13-07.20	*
420 D (N47 D20 C)		Diesel	RWD	1995	120	163	11.13-07.20	*
420 D (N47 D20 C)		Diesel	RWD	1995	135	184	10.13-06.15	*
420 D (B47 D20 A)		Diesel	RWD	1995	140	190	07.15-07.20	*
420 D (N47 D20 C)		Diesel	RWD	1995	147	200	10.13-06.15	*
420 D		Diesel	RWD	1995	151	205	07.15-07.20	*
425 d (N47 D20 D)		Diesel	RWD	1995	155	211	07.14-02.16	*
425 d (N47 D20 D)		Diesel	RWD	1995	160	218	07.14-02.16	*
425 d (B47 D20 B)		Diesel	RWD	1995	165	224	03.16-02.18	*

LISTA DE APLICACIONES - BUYERS GUIDE

430 d (N57 D30 A)	Diesel	RWD	2993	190	258	07.14-07.20	*
4 Serie (F32, F82) 07.13-				Coupé (Compact executive car-D Segment)			
418 i (B38 B15 A)	Gasolina	RWD	1499	100	136	03.16-06.20	*
418 i (B38 B15 A)	Gasolina	RWD	1499	100	136	07.15-12.20	*
420 i (N20 B20 A)	Gasolina	RWD	1997	120	163	11.13-02.17	*
420 i (N20 B20 B)	Gasolina	RWD	1997	120	163	11.13-02.17	*
420 i (N20 B20 B)	Gasolina	RWD	1997	120	163	03.14-02.17	*
420 i xDrive (N20 B20 A)	Gasolina	4WD	1997	120	163	11.13-02.16	*
420 i xDrive (N20 B20 B)	Gasolina	4WD	1997	120	163	11.13-02.16	*
420 i xDrive (N20 B20 B)	Gasolina	4WD	1997	120	163	07.14-02.16	*
420 i (N20 B20 A)	Gasolina	RWD	1997	135	184	11.13-02.17	*
420 i (N20 B20 B)	Gasolina	RWD	1997	135	184	11.13-02.17	*
420 i (N20 B20 B)	Gasolina	RWD	1997	135	184	03.14-02.17	*
420 i xDrive (N20 B20 A)	Gasolina	4WD	1997	135	184	11.13-02.16	*
420 i xDrive (N20 B20 B)	Gasolina	4WD	1997	135	184	11.13-02.16	*
420 i xDrive (N20 B20 B)	Gasolina	4WD	1997	135	184	07.14-02.16	*
428 i (N20 B20 A)	Gasolina	RWD	1997	180	245	07.13-02.17	*
428 i (N26 B20 A)	Gasolina	RWD	1997	180	245	07.13-02.17	*
428 i (N20 B20 A)	Gasolina	RWD	1997	180	245	03.14-06.16	*
428 i (N26 B20 A)	Gasolina	RWD	1997	180	245	03.14-06.16	*
428 i xDrive (N20 B20 A)	Gasolina	4WD	1997	180	245	07.13-02.16	*
428 i xDrive (N26 B20 A)	Gasolina	4WD	1997	180	245	07.13-02.16	*
428 i xDrive (N20 B20 A)	Gasolina	4WD	1997	180	245	03.14-02.16	*
428 i xDrive (N26 B20 A)	Gasolina	4WD	1997	180	245	03.14-02.16	*
420 i (B48 B20 A)	Gasolina	RWD	1998	120	163	03.16-06.20	*
420 i (B48 B20 A)	Gasolina	RWD	1998	120	163	03.16-05.21	*
420 i xDrive (B48 B20 A)	Gasolina	4WD	1998	120	163	03.16-06.20	*
420 i xDrive (B48 B20 A)	Gasolina	4WD	1998	120	163	03.16-05.21	*
420 i (B48 B20 A)	Gasolina	RWD	1998	135	184	03.16-06.20	*
420 i (B48 B20 A)	Gasolina	RWD	1998	135	184	03.16-05.21	*
420 i xDrive (B48 B20 A)	Gasolina	4WD	1998	135	184	03.16-06.20	*
420 i xDrive (B48 B20 A)	Gasolina	4WD	1998	135	184	03.16-05.21	*
430 i (B48 B20 B)	Gasolina	RWD	1998	183	249	03.16-06.20	*
430 i xDrive (B48 B20 B)	Gasolina	4WD	1998	183	249	03.16-06.20	*
430 i xDrive (B48 B20 B)	Gasolina	4WD	1998	183	249	03.16-05.21	*
430 i (B46 B20 B)	Gasolina	RWD	1998	185	252	03.16-06.20	*
430 i (B48 B20 B)	Gasolina	RWD	1998	185	252	03.16-06.20	*
430 i (B46 B20 B)	Gasolina	RWD	1998	185	252	03.16-05.21	*
430 i (B48 B20 B)	Gasolina	RWD	1998	185	252	03.16-05.21	*
430 i xDrive (B46 B20 B)	Gasolina	4WD	1998	185	252	03.16-06.20	*
430 i xDrive (B48 B20 B)	Gasolina	4WD	1998	185	252	03.16-06.20	*
430 i xDrive (B46 B20 B)	Gasolina	4WD	1998	185	252	03.16-05.21	*
430 i xDrive (B48 B20 B)	Gasolina	4WD	1998	185	252	03.16-05.21	*
418 D (B47 D20 A)	Diesel	RWD	1995	100	136	03.15-10.17	*
418 D (B47 D20 A)	Diesel	RWD	1995	100	136	03.14-12.20	*
418 D (N47 D20 C)	Diesel	RWD	1995	100	136	03.14-12.20	*
418 D (N47 D20 C)	Diesel	RWD	1995	105	143	03.14-06.15	*
418 D (B47 D20 A)	Diesel	RWD	1995	110	150	03.15-10.17	*
418 D (B47 D20 A)	Diesel	RWD	1995	110	150	07.15-12.20	*
420 D (B47 D20 A)	Diesel	RWD	1995	120	163	07.13-06.20	*
420 D (N47 D20 C)	Diesel	RWD	1995	120	163	07.13-06.20	*

LISTA DE APLICACIONES - BUYERS GUIDE

420 D (B47 D20 A)	Diesel	RWD	1995	120	163	03.14-12.20	*	
420 D (N47 D20 C)	Diesel	RWD	1995	120	163	03.14-12.20	*	
420 d xDrive (B47 D20 A)	Diesel	4WD	1995	120	163	11.13-06.20	*	
420 d xDrive (N47 D20 C)	Diesel	4WD	1995	120	163	11.13-06.20	*	
420 d xDrive (B47 D20 A)	Diesel	4WD	1995	120	163	03.14-12.20	*	
420 d xDrive (N47 D20 C)	Diesel	4WD	1995	120	163	03.14-12.20	*	
420 D (N47 D20 C)	Diesel	RWD	1995	135	184	07.13-02.15	*	
420 D (N47 D20 C)	Diesel	RWD	1995	135	184	03.14-02.15	*	
420 d xDrive (N47 D20 C)	Diesel	4WD	1995	135	184	11.13-02.15	*	
420 d xDrive (N47 D20 C)	Diesel	4WD	1995	135	184	03.14-02.15	*	
420 D (B47 D20 A)	Diesel	RWD	1995	140	190	03.15-06.20	*	
420 D (B47 D20 A)	Diesel	RWD	1995	140	190	03.15-12.20	*	
420 d xDrive (B47 D20 A)	Diesel	4WD	1995	140	190	03.15-06.20	*	
420 d xDrive (B47 D20 A)	Diesel	4WD	1995	140	190	03.15-12.20	*	
420 D (N47 D20 C)	Diesel	RWD	1995	147	200	07.13-03.15	*	
420 D (N47 D20 C)	Diesel	RWD	1995	147	200	03.14-02.15	*	
420 d xDrive (N47 D20 C)	Diesel	4WD	1995	147	200	11.13-03.15	*	
420 d xDrive (N47 D20 C)	Diesel	4WD	1995	147	200	03.14-02.15	*	
425 d (N47 D20 D)	Diesel	RWD	1995	155	211	03.14-02.16	*	
425 d (B47 D20 B)	Diesel	RWD	1995	155	211	03.16-02.18	*	
425 d (N47 D20 D)	Diesel	RWD	1995	160	218	03.14-02.16	*	
425 d (B47 D20 B)	Diesel	RWD	1995	165	224	03.16-10.17	*	
425 d (B47 D20 B)	Diesel	RWD	1995	165	224	03.16-02.18	*	
BMW (BRILLIANCE)								
3 SERIES VI (F30, F35) 07.12-					Sedán (Compact executive car-D Segment)			
316 Li	Gasolina	FWD	1598	100	136	08.14-	*	
320 Li	Gasolina	FWD	1997	135	184	07.12-	*	
328 Li	Gasolina	FWD	1997	180	245	07.12-	*	