

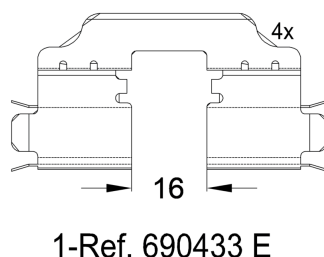
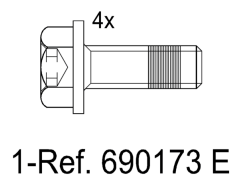
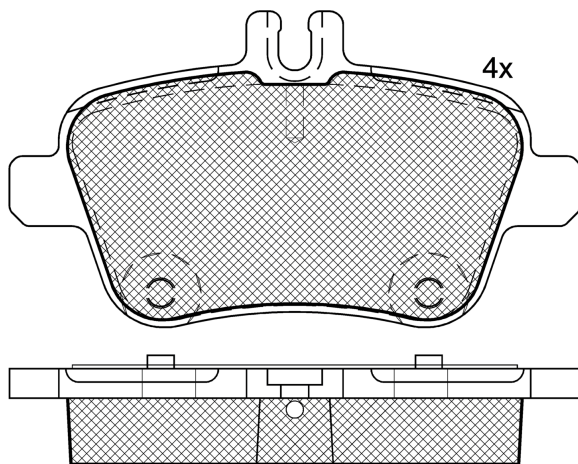
LISTA DE APLICACIONES - BUYERS GUIDE

RB2039-067



Qty: 300 Weight: 1.230

O.E.M.	MAKE
006 420 81 20	MERCEDES-BENZ
007 420 96 20	MERCEDES-BENZ
44060-5DA0A	INFINITI
44060-5DA0B	INFINITI
44060-5DA0C	INFINITI
44060-5DC0C	INFINITI
44060-HG00A	INFINITI
44060-HG00C	INFINITI



RB2039-067

E 9 90R-02A0111/4531



Trw

106.2x59.2x18.5

WVA	FMSI
24848	D1646-8874

Sin Filas



Trac.	CC	Kw	CV
-------	----	----	----



Front / Rear

INFINITI

					[CAMBIADO]:Fastback (Luxury car-F Segment)				
Q30 (H15E) 11.15-									
1.6		Gasolina	FWD	1595	90	122	11.15-	*	
1.6		Gasolina	FWD	1595	110	150	12.15-	*	
1.6		Gasolina	FWD	1595	115	156	11.15-	*	
2.0 T		Gasolina	FWD	1991	155	211	11.15-	*	
2.0 T AWD		Gasolina	4WD	1991	155	211	11.15-	*	
1.5 D		Diesel	FWD	1461	80	109	11.15-	*	
2.2 D		Diesel	FWD	2143	125	170	11.15-	*	
2.2 D AWD		Diesel	4WD	2143	125	170	11.15-	*	

SUV (Luxury Crossover SUV-J Segment)

QX30 (H15E) 04.16-								
2.0 AWD		Gasolina	4WD	1991	155	211	09.16-	*
2.2 D AWD		Diesel	4WD	2143	125	170	04.16-	*

MERCEDES-BENZ

					[CAMBIADO]:Fastback (Compact car-C Segment)			
A-Class III (W176) 06.12-								
A 250 4-matic (176.046) (M 270.920)		Gasolina	4WD	1991	155	211	06.13-05.18	*
GLA-Class (X156) 12.13-					SUV (Compact SUV-J Segment)			
GLA 250 (156.944) (M 270.920)		Gasolina	FWD	1991	155	211	12.13-12.19	*
GLA 250 4-matic (156.946) (M 270.920)		Gasolina	4WD	1991	155	211	12.13-12.19	*
GLA 250 Flex (156.944) (M 270.920)		Gasol./Etanol	FWD	1991	155	211	01.15-12.19	*