

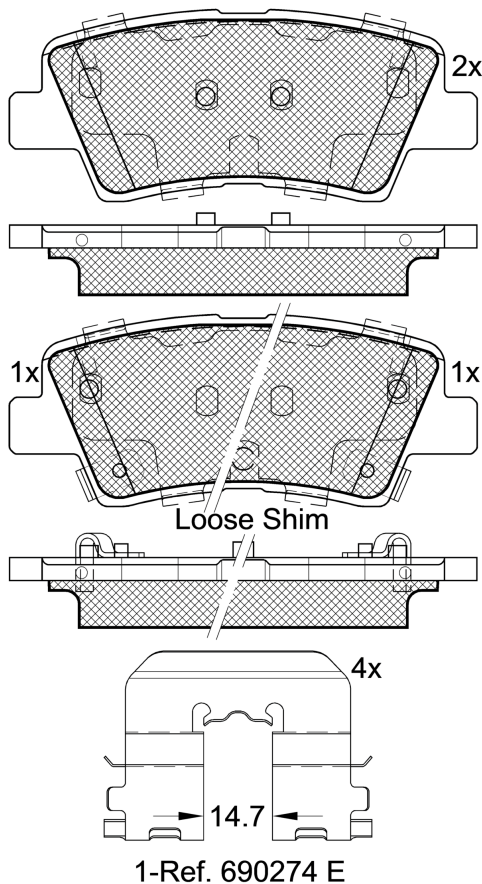
LISTA DE APLICACIONES - BUYERS GUIDE

RB2036



Qty: 300 Weight: 760

O.E.M.	MAKE
58302-0UA30	HYUNDAI
58302-1RA30	HYUNDAI
58302-2VA30	HYUNDAI
58302-2VA50	HYUNDAI
58302-3DA35	HYUNDAI
58302-3KA35	HYUNDAI
58302-3RA70	KIA
58302-3ZA00	KIA
58302-3ZA10	HYUNDAI
58302-3ZA16	HYUNDAI
58302-3ZA70	HYUNDAI
58302-3ZA76	HYUNDAI
58302-A4B10	KIA
58302-A4B50	KIA
58302-A4B60	KIA
58302-A5B30	HYUNDAI
58302-A6A20	KIA
58302-A6A30	HYUNDAI
58302-A6A31	HYUNDAI
58302-B2A00	KIA
58302-B4A30	HYUNDAI
58302-C8A50	HYUNDAI
58302-CMA10	HYUNDAI
58302-D4A50	HYUNDAI
58302-D4A55	KIA



RB2036

90R-02A0111/3302



Akebono

99.8x41x15.5

WVA	FMSI
25337	D1594-8428
25338	D1848-9283
25339	D2098-9283
	D1544-8428

Sin Filas



Trac.	CC	Kw	CV
-------	----	----	----



Front / Rear

DODGE

ATTITUDE III (LA) 09.14-

Sedán (Supermini car-B Segment)

1.2 (3A92)	Gasolina	FWD	1193	57	78	09.14-	*
------------	----------	-----	------	----	----	--------	---

HYUNDAI

ACCENT IV / SOLARIS IV / VERNA / i25 (RB) 11.10-

[CAMBIADO]:Fastback (Supermini car-B Segment)

1.4 (G4LC)	Gasolina	FWD	1368	74	101	09.15-04.19	*
1.4 (G4FA)	Gasolina	FWD	1396	79	107	11.10-03.18	*
1.6 CVVT (G4FC)	Gasolina	FWD	1591	90	122	12.10-12.17	*
1.6 (G4FC)	Gasolina	FWD	1591	91	124	11.10-03.18	*
1.6 CRDI (D4FB)	Diesel	FWD	1582	94	128	07.11-10.17	*
1.6 CRDI (D4FB)	Diesel	FWD	1582	100	136	02.15-12.18	*

ACCENT IV / SOLARIS IV / VERNA / i25 (RB) 08.10-

Sedán (Supermini car-B Segment)

1.4 (G4LC)	Gasolina	FWD	1368	74	101	11.10-	*
1.4	Gasolina	FWD	1396	79	107	11.10-12.13	*
1.4 (G4FA)	Gasolina	FWD	1396	80	109	11.10-12.17	*
1.6 (G4FC)	Gasolina	FWD	1591	90	122	11.10-	*
1.6 (G4FC)	Gasolina	FWD	1591	91	123	11.10-12.17	*
1.6 CCVT-I	Gasolina	FWD	1591	92	125	11.10-	*
1.6 GDI (G4FD)	Gasolina	FWD	1591	103	140	11.10-12.17	*
1.4 CRDi	Diesel	FWD	1396	66	90	11.10-	*
1.6 CRDI (D4FB)	Diesel	FWD	1582	94	128	11.10-12.17	*
1.6 CRDI (D4FB)	Diesel	FWD	1582	100	136	04.11-12.17	*

LISTA DE APLICACIONES - BUYERS GUIDE

BAYON (BC3) 05.21-					SUV (Compact Crossover SUV-C Segment)			
1.0 T-GDI		Gasolina	FWD	998	74	101	05.21-	*
1.2 MPI		Gasolina	FWD	1197	62	84	05.21-	*
1.4 MPI		Gasolina	FWD	1368	74	101	05.21-	*
1.2 LPG		Gasol./Gas (LPG)	FWD	1197	62	84	05.23-	*
1.0 T-GDI 48V-Hybrid		Gasol./eléc.	FWD	998	74	101	05.21-	*
1.0 T-GDI 48V-Hybrid		Gasol./eléc.	FWD	998	88	120	05.21-	*
CRETA II / ix25 II / CANTUS II (SU2_) 03.20-					SUV (Compact Crossover SUV-C Segment)			
1.6 MPi 4WD (SU2R)		Gasolina	4WD	1591	89	121	09.21-	*
1.6 MPi (SU2R)		Gasolina	FWD	1591	90	122	09.21-	*
2.0 MPi (SU2R)		Gasolina	FWD	1999	110	150	09.21-	*
2.0 MPi 4WD (SU2R)		Gasolina	4WD	1999	110	150	09.21-	*
ELANTRA V / FLUIDIC ELANTRA (MD, UD) 09.10-					Sedán (Compact car-C Segment)			
1.6 (G4FG)		Gasolina	FWD	1591	94	128	04.11-04.16	*
1.6 (G4FG)		Gasolina	FWD	1591	97	132	06.11-12.15	*
1.8 (G4NB)		Gasolina	FWD	1797	110	150	09.10-12.16	*
1.8		Gasolina	FWD	1797	118	160	03.13-	*
1.8 Flex		Gasolina	FWD	1797	118	160	02.11-	*
2.0 GDI		Gasolina	FWD	1999	112	152	10.15-	*
2.0 (G4NA)		Gasolina	FWD	1999	124	169	10.14-08.15	*
1.6 CRDI (D4FB)		Diesel	FWD	1582	94	128	02.11-12.15	*
GRAND AVEGA 05.11-					[CAMBIADO]:Fastback (Supermini car-B Segment)			
1.4		Gasolina	FWD	1396	78	107	05.11-	*
GRANDEUR IV / AZERA (TG) 06.03-					Sedán (Executive car-E Segment)			
2.7 (G6BA)		Gasolina	FWD	2656	141	192	05.06-10.10	*
3.3 (G6DB)		Gasolina	FWD	3342	173	235	04.05-12.10	*
3.3 (G6DB)		Gasolina	FWD	3342	191	260	11.10-12.11	*
3.3 (G6DB)		Gasolina	FWD	3342	198	269	02.07-12.11	*
2.2 CRDi (D4EB)		Diesel	FWD	2188	110	150	06.06-12.11	*
2.2 CRDi (D4EB)		Diesel	FWD	2188	114	155	06.06-10.10	*
i10 II / GRAND i10 (BA, IA) 08.13-					[CAMBIADO]:Fastback (City car-A Segment)			
1.0 (G3LA)		Gasolina	FWD	998	49	67	08.13-12.19	*
1.2 (G4AG)		Gasolina	FWD	1197	60	82	09.13-12.17	*
1.2 (G4AG)		Gasolina	FWD	1197	61	83	01.18-12.21	*
1.2 (G4LA)		Gasolina	FWD	1248	64	87	12.13-12.19	*
1.0 LPG (B3LA)		Gasol./Gas (LPG)	FWD	998	49	67	02.14-12.19	*
1.0 LPG (B3LA)		Gasol./Gas (LPG)	FWD	998	51	69	07.14-08.16	*
1.1 CRDi (D3FA)		Diesel	FWD	1120	52	71	12.13-	*
i10 II / GRAND i10 12.13-					Sedán (City car-A Segment)			
1.2 (G4AG)		Gasolina	FWD	1197	61	83	12.13-	*
1.2 (G4LA)		Gasolina	FWD	1248	64	87	08.15-	*
1.1 D (D3FA)		Diesel	FWD	1120	53	72	03.14-02.17	*
i10 III (AC3, AI3) 09.19-					[CAMBIADO]:Fastback (City car-A Segment)			
1.0 MPi		Gasolina	FWD	998	46	63	03.24-	*
1.0 MPi (G3LD)		Gasolina	FWD	998	49	67	09.19-	*

LISTA DE APLICACIONES - BUYERS GUIDE

1.0 T-GDI		Gasolina	FWD	998	66	90	03.24-	*	
1.0 T-GDI (G3LE)		Gasolina	FWD	998	74	100	02.20-	*	
1.2 MPI		Gasolina	FWD	1197	58	79	03.24-	*	
1.2 MPI (G4LA 11)		Gasolina	FWD	1197	62	84	09.19-	*	
1.2 MPI (G4LF)		Gasolina	FWD	1197	62	84	09.19-	*	
1.2 CNG		Gas natural (CNG/LNG)	FWD	1197	51	69	09.19-	*	
1.2 CRDI		Diesel	FWD	1186	55	75	09.19-	*	
i20 II (GB, IB) 11.14-							[CAMBIADO]:Fastback (Supermini car-B Segment)		
1.0 T-GDI (G3LC)		Gasolina	FWD	998	74	101	01.16-08.20	*	
1.0 T-GDI (G3LC)		Gasolina	FWD	998	88	120	01.16-08.20	*	
1.2		Gasolina	FWD	1197	61	83	11.14-06.21	*	
1.2 (G4LA)		Gasolina	FWD	1248	55	75	11.14-03.20	*	
1.2 (G4LA)		Gasolina	FWD	1248	62	84	11.14-08.20	*	
1.2		Gasolina	FWD	1248	62	84	05.15-	*	
1.4 (G4LC)		Gasolina	FWD	1368	74	100	11.14-06.18	*	
1.2 LPG (G4LA)		Gasol./Gas (LPG)	FWD	1248	55	75	01.19-09.20	*	
1.2 LPGI (G4LA)		Gasol./Gas (LPG)	FWD	1248	61	83	11.14-06.19	*	
1.1 CRDi (D3FA)		Diesel	FWD	1120	55	75	11.14-06.18	*	
1.4 CRDi (D4FC)		Diesel	FWD	1396	66	90	11.14-06.18	*	
i20 II (GB) 03.15-							Coupé (Supermini car-B Segment)		
1.0 T-GDI (G3LC)		Gasolina	FWD	998	74	101	01.16-09.21	*	
1.0 T-GDI (G3LC)		Gasolina	FWD	998	88	120	01.16-09.21	*	
1.2 (G4LA)		Gasolina	FWD	1248	62	84	05.15-09.21	*	
1.4 (G4LC)		Gasolina	FWD	1368	74	100	05.15-09.21	*	
1.1 CRDi (D3FA)		Diesel	FWD	1120	55	75	05.15-09.21	*	
1.4 CRDi (D4FC)		Diesel	FWD	1396	66	90	05.15-09.21	*	
i20 II ACTIVE (IB, GB) 09.15-							[CAMBIADO]:Fastback (Subcompact SUV-B Segment)		
1.0 T-GDI (G3LC)		Gasolina	FWD	998	74	101	09.15-06.18	*	
1.0 T-GDI (G3LC)		Gasolina	FWD	998	88	120	09.15-06.18	*	
1.4 (G4LC)		Gasolina	FWD	1368	73	99	07.18-	*	
1.4 CVVT (G4LC)		Gasolina	FWD	1368	74	101	09.15-06.18	*	
1.4 CRDi (D4FC)		Diesel	FWD	1396	66	90	09.15-06.18	*	
i20 II Van (GB, IB) 11.14-							Furgón/hatchback (Supermini car-B Segment)		
1.0 T-GDI (G3LC)		Gasolina	FWD	998	74	101	01.16-09.21	*	
1.2 MPI (G4LA)		Gasolina	FWD	1248	55	75	05.15-09.21	*	
1.2 MPI (G4LA)		Gasolina	FWD	1248	62	84	05.15-09.21	*	
1.4 MPI (G4LC)		Gasolina	FWD	1368	74	101	05.15-09.21	*	
1.1 CRDi (D3FA)		Diesel	FWD	1120	55	75	05.15-09.21	*	
1.4 CRDi (D4FC)		Diesel	FWD	1396	66	90	05.15-09.21	*	
i20 III (BC3, BI3) 08.20-							[CAMBIADO]:Fastback (Supermini car-B Segment)		
1.0 T-GDI (G3LE)		Gasolina	FWD	998	74	101	08.20-	*	
1.2		Gasolina	FWD	1197	58	79	05.24-	*	
1.2 (G4LF)		Gasolina	FWD	1197	62	84	08.20-	*	
1.4 MPI		Gasolina	FWD	1368	74	101	05.21-	*	
1.2 LPG		Gasol./Gas (LPG)	FWD	1197	58	79	11.24-	*	

LISTA DE APLICACIONES - BUYERS GUIDE

1.0 T-GDI hybrid 48V (G3LE)		Gasol./el éc.	FWD	998	74	101	08.20-	*
1.0 T-GDI hybrid 48V (G3LE)		Gasol./el éc.	FWD	998	88	120	08.20-	*
[CAMBIADO]:Break (Compact car-C Segment)								
i30 II (GD) 06.12-								
1.4 (G4LC)		Gasolina	FWD	1368	74	101	01.14-05.17	*
1.4 (G4FA)		Gasolina	FWD	1396	73	99	06.12-12.15	*
1.6 (G4FC)		Gasolina	FWD	1591	88	120	06.12-	*
1.6 (G4FD)		Gasolina	FWD	1591	95	129	06.12-12.15	*
1.6 GDI (G4FD)		Gasolina	FWD	1591	99	135	06.12-	*
1.4 CRDi (D4FC)		Diesel	FWD	1396	66	90	06.12-05.17	*
1.6 CRDI (D4FB)		Diesel	FWD	1582	81	110	06.12-	*
1.6 CRDI (D4FB)		Diesel	FWD	1582	94	128	06.12-12.15	*
1.6 CRDI (D4FB)		Diesel	FWD	1582	100	136	06.12-	*
[CAMBIADO]:Fastback (Compact car-C Segment)								
i30 II (GD) 06.11-								
1.4 (G4LC)		Gasolina	FWD	1368	74	101	12.14-12.16	*
1.4 (G4FA)		Gasolina	FWD	1396	73	99	12.11-12.15	*
1.6 (G4FC)		Gasolina	FWD	1591	88	120	01.12-12.16	*
1.6 (G4FC)		Gasolina	FWD	1591	95	129	12.11-12.15	*
1.6 (G4FC)		Gasolina	FWD	1591	96	131	06.14-	*
1.6 GDI (G4FD)		Gasolina	FWD	1591	99	135	12.11-12.16	*
1.6 GDI (G4FD)		Gasolina	FWD	1591	103	140	06.11-	*
1.6		Gasolina	FWD	1591	137	186	12.14-	*
1.6 T-GDI (G4FJ)		Gasolina	FWD	1591	137	186	01.15-	*
1.8		Gasolina	FWD	1797	107	146	08.13-	*
1.8 (G4NB)		Gasolina	FWD	1797	110	150	01.12-	*
2.0		Gasolina	FWD	1999	124	169	12.14-02.17	*
1.4 LPG (G4FA)		Gasol./Gas (LPG)	FWD	1396	73	99	01.13-12.14	*
1.6 16V Flex (F4FC)		Gasol./Etanol	FWD	1591	94	128	11.11-12.16	*
1.4 CRDi (D4FC)		Diesel	FWD	1396	66	90	12.11-12.16	*
1.6 CRDI (D4FB)		Diesel	FWD	1582	81	110	12.11-12.16	*
1.6 CRDI (D4FB)		Diesel	FWD	1582	94	128	12.11-12.15	*
1.6 CRDI (D4FB)		Diesel	FWD	1582	100	136	11.11-12.16	*
[CAMBIADO]:Furgón/Break (Compact car-C Segment)								
i30 II (GDE, GD) 06.12-								
1.4 MPI (G4LC)		Gasolina	FWD	1368	74	101	05.15-05.17	*
1.6 GDI (G4FD)		Gasolina	FWD	1591	99	135	05.15-	*
1.6 CRDI (D4FB)		Diesel	FWD	1582	81	110	05.15-	*
Coupé (Compact car-C Segment)								
i30 II (GD) 05.13-								
1.4 (G4LC)		Gasolina	FWD	1368	74	101	12.14-	*
1.4 (G4FA)		Gasolina	FWD	1396	73	99	05.13-12.14	*
1.6 MPi (G4FC)		Gasolina	FWD	1591	88	120	05.13-	*
1.6 MPi (G4FC)		Gasolina	FWD	1591	96	131	06.14-	*
1.6 GDI (G4FD)		Gasolina	FWD	1591	99	135	05.13-	*
1.6 T-GDI (G4FJ)		Gasolina	FWD	1591	137	186	01.15-	*
1.4 CRDi (D4FC)		Diesel	FWD	1396	66	90	05.13-05.17	*
1.6 CRDI (D4FB)		Diesel	FWD	1582	81	110	05.13-	*
1.6 CRDI (D4FB)		Diesel	FWD	1582	94	128	05.13-	*
1.6 CRDI (D4FB)		Diesel	FWD	1582	100	136	12.14-	*

LISTA DE APLICACIONES - BUYERS GUIDE

i30 II (GDE) 06.12-					Furgón/hatchback (Compact car-C Segment)			
1.4 MPI (G4LC)		Gasolina	FWD	1368	74	101	05.15-05.17	*
1.6 GDI (G4FD)		Gasolina	FWD	1591	99	135	05.15-	*
1.6 CRDI (D4FB)		Diesel	FWD	1582	81	110	05.15-	*
i40 (VF) 07.11-					[CAMBIADO]:Furgón/Break (Large family car-D Segment)			
1.7 CRDi (D4FD)		Diesel	FWD	1685	85	116	05.15-05.19	*
i40 (VF) 03.12-					Sedán (Large family car-D Segment)			
1.6 GDI (G4FD)		Gasolina	FWD	1591	99	135	03.12-05.19	*
2.0 CVVT (G4NA)		Gasolina	FWD	1999	110	150	10.12-05.19	*
2.0 CVVT (G4NA)		Gasolina	FWD	1999	121	165	03.12-05.19	*
2.0 GDI (G4NC)		Gasolina	FWD	1999	121	165	12.14-05.19	*
2.0 GDI		Gasolina	FWD	1999	122	166	03.12-05.19	*
2.0		Gasolina	FWD	1999	123	167	03.12-05.19	*
2.0 CVVT (G4NA)		Gasolina	FWD	1999	130	177	03.12-05.19	*
2.0 GDI (G4NC)		Gasolina	FWD	1999	130	177	03.12-05.19	*
2.0 GDI (G4NC)		Gasolina	FWD	1999	131	178	03.12-05.19	*
1.6 CRDI (D4FE)		Diesel	FWD	1598	85	116	07.18-05.19	*
1.6 CRDI (D4FE)		Diesel	FWD	1598	100	136	07.18-05.19	*
1.7 CRDi (D4FD)		Diesel	FWD	1685	85	116	03.12-05.19	*
1.7 CRDi (D4FD)		Diesel	FWD	1685	100	136	03.12-05.19	*
1.7 CRDi (D4FD)		Diesel	FWD	1685	103	140	10.12-05.19	*
1.7 CRDi (D4FD)		Diesel	FWD	1685	104	141	01.15-05.19	*
i40 I CW (VF) 07.11-					[CAMBIADO]:Break (Large family car-D Segment)			
1.6 GDI (G4FD)		Gasolina	FWD	1591	99	135	07.11-05.19	*
2.0 CVVT (G4NA)		Gasolina	FWD	1999	110	150	10.12-05.19	*
2.0 CVVT (G4NA)		Gasolina	FWD	1999	112	152	07.18-05.19	*
2.0 CVVT (G4NA)		Gasolina	FWD	1999	121	165	06.12-05.19	*
2.0 GDI (G4NC)		Gasolina	FWD	1999	121	165	12.14-05.19	*
2.0		Gasolina	FWD	1999	122	166	03.12-05.19	*
2.0 CVVT (G4NA)		Gasolina	FWD	1999	130	177	07.11-05.19	*
2.0 GDI (G4NC)		Gasolina	FWD	1999	130	177	07.11-05.19	*
1.6 CRDI (D4FE)		Diesel	FWD	1598	85	116	07.18-05.19	*
1.6 CRDI (D4FE)		Diesel	FWD	1598	100	136	07.18-05.19	*
1.7 CRDi (D4FD)		Diesel	FWD	1685	85	116	07.11-05.19	*
1.7 CRDi (D4FD)		Diesel	FWD	1685	100	136	07.11-05.19	*
1.7 CRDi (D4FD)		Diesel	FWD	1685	103	140	03.12-05.19	*
1.7 CRDi (D4FD)		Diesel	FWD	1685	104	141	01.15-05.19	*
KONA (OS, OSE, OSI) 06.17-					Furgoneta/SUV (Subcompact SUV-B Segment)			
1.6 GDI Hybrid (G4LE)		Gasol./el éc.	FWD	1580	77	105	06.19-	*
1.6 GDI Hybrid (G4LE)		Gasol./el éc.	FWD	1580	104	141	06.19-	*
KONA (OS, OSE, OSI) 06.17-					SUV (Subcompact SUV-B Segment)			
1.6 GDI Hybrid (G4LE)		Gasol./el éc.	FWD	1580	77	105	06.19-	*
1.6 GDI Hybrid (G4LE)		Gasol./el éc.	FWD	1580	104	141	09.19-04.23	*
SOLARIS / ACCENT V (HCR, HCI) 01.17-					Sedán (Supermini car-B Segment)			
1.6 (G4FG)		Gasolina	FWD	1591	90	122	01.17-	*

LISTA DE APLICACIONES - BUYERS GUIDE

SONATA V / EMBERA V (NF) 08.04-11.14					Sedán (Executive car-E Segment)			
2.0 VVTi GLS (G4KA)		Gasolina	FWD	1998	106	144	05.05-12.10	*
2.0 GLSI (G4KD)		Gasolina	FWD	1998	119	162	07.08-12.10	*
2.0 VVTi GLS (G4KD)		Gasolina	FWD	1998	121	165	01.08-12.10	*
2.4 (G4KC)		Gasolina	FWD	2359	119	162	01.05-12.10	*
3.3 (G6DB)		Gasolina	FWD	3342	171	233	01.05-12.10	*
3.3 (G6DB)		Gasolina	FWD	3342	173	235	06.05-12.10	*
3.3 (G6DB)		Gasolina	FWD	3342	184	250	01.08-12.10	*
2.0 CRDi (D4EA)		Diesel	FWD	1991	100	136	02.06-12.10	*
2.0 CRDi (D4EA)		Diesel	FWD	1991	103	140	02.06-12.10	*
2.0 CRDi (D4EA)		Diesel	FWD	1991	110	150	03.09-12.10	*
SONATA VI / i45 VI (YF) 06.09-12.15					Sedán (Executive car-E Segment)			
2.4 Hybrid		Gasol./el éc.	FWD	2359	149	203	09.10-	*
SONATA VII (LF) 03.14-06.23					Sedán (Executive car-E Segment)			
1.6 (G4FJ)		Gasolina	FWD	1591	132	180	01.15-	*
2.0 CVVT (G4NA)		Gasolina	FWD	1999	110	150	11.14-12.19	*
2.0 MPi (G4NA)		Gasolina	FWD	1999	115	157	06.14-12.19	*
2.0 CVVL		Gasolina	FWD	1999	124	169	09.14-12.19	*
2.4		Gasolina	FWD	2359	126	171	03.17-12.19	*
2.4 (G4KE)		Gasolina	FWD	2359	131	178	12.14-12.19	*
2.4 MPi		Gasolina	FWD	2359	131	178	01.15-	*
2.4 (G4KJ)		Gasolina	FWD	2359	138	188	09.14-12.19	*
2.4 GDI (G4KJ)		Gasolina	FWD	2359	142	193	09.14-12.19	*
2.0 LPG (G4NA)		Gasol./Gas (LPG)	FWD	1999	111	151	06.14-06.23	*
2.0 LPG (G4NA)		Gasol./Gas (LPG)	FWD	1999	113	154	09.14-12.19	*
2.0 Hybrid		Gasol./el éc.	FWD	1999	115	156	06.16-	*
2.0 Hybrid		Gasol./el éc.	FWD	1999	153	208	09.14-	*
2.0 Gdi Hybrid		Gasol./el éc.	FWD	1999	165	224	09.14-	*
1.7 CRDi		Diesel	FWD	1685	104	141	01.15-12.19	*
VELOSTER (FS) 03.11-					Coupé (Supermini car-B Segment)			
1.6		Gasolina	FWD	1591	94	128	06.11-12.17	*
1.6 GDI (G4FD)		Gasolina	FWD	1591	95	129	10.11-12.17	*
1.6 MPi (G4FC)		Gasolina	FWD	1591	96	130	01.15-12.17	*
1.6 MPi (G4FC)		Gasolina	FWD	1591	97	132	04.11-12.17	*
1.6 GDI (G4FD)		Gasolina	FWD	1591	103	140	03.11-12.17	*
1.6 T-GDI (G4FJ)		Gasolina	FWD	1591	137	186	10.12-12.17	*
1.6 T-GDI		Gasolina	FWD	1591	150	204	08.12-12.17	*
VELOSTER II (JS, JSN) 01.18-					Coupé (Supermini car-B Segment)			
1.6 T-GDI (G4FJ)		Gasolina	FWD	1591	150	204	01.18-	*
XCENT 03.14-					Sedán (Supermini car-B Segment)			
1.2		Gasolina	FWD	1197	61	83	03.14-	*
1.1 D		Diesel	RWD	1120	53	72	03.14-	*
INOKOM								
ELANTRA (MD) 01.11-					Sedán ()			
1.8		Gasolina	FWD	1797	110	150	01.11-	*
KG MOBILITY								

LISTA DE APLICACIONES - BUYERS GUIDE

(_OW) 11.23-					SUV ()			
1.5 T-GDI	Gasolina	FWD	1497	99	135	11.23-	*	
1.5	Gasolina	FWD	1497	120	163	11.23-	*	
1.5 4WD	Gasolina	4WD	1497	120	163	11.23-	*	
1.5 T-GDI	Gasolina	FWD	1497	120	163	11.23-	*	
1.5 T-GDI	Gasolina	FWD	1497	120	163	11.23-	*	
1.5 T-GDI 4WD	Gasolina	4WD	1497	120	163	11.23-	*	
1.5 T-GDI 4WD	Gasolina	4WD	1497	120	163	11.23-	*	
EVX	Eléctrico	FWD		152	207	01.24-	*	
KIA								
CADENZA / K7 (VG) 01.10-					Sedán (Executive car-E Segment)			
2.4	Gasolina	FWD	2359	127	173	06.13-12.17	*	
2.4 (G4KC)	Gasolina	FWD	2359	132	180	01.10-12.15	*	
2.4 (G4KE)	Gasolina	FWD	2359	132	180	01.10-12.15	*	
2.4	Gasolina	FWD	2359	148	201	01.10-12.15	*	
2.7 BiFuel	Gasolina	FWD	2656	121	165	01.10-	*	
2.7	Gasolina	FWD	2656	147	200	01.10-12.15	*	
3.0 GDi (L6DB)	Gasolina	FWD	2999	175	238	01.10-12.15	*	
3.0 GDi	Gasolina	FWD	2999	199	271	01.10-12.15	*	
3.3 GDI	Gasolina	FWD	3342	216	294	01.10-12.15	*	
3.5 CVVT (G6DC)	Gasolina	FWD	3470	213	290	01.10-12.15	*	
CADENZA II / K7 (YG) 01.16-					Sedán (Executive car-E Segment)			
3.3 MPI (G6DF)	Gasolina	FWD	3342	199	271	01.16-	*	
3.3 GDI (G6DM)	Gasolina	FWD	3342	209	284	01.16-	*	
CARENS III (A4) 03.13-					Furgoneta/MPV (Compact MPV-M1 Segment)			
CRDi	Diesel	FWD	1685	85	116	04.15-08.16	*	
CRDi	Diesel	FWD	1685	100	136	04.15-08.16	*	
CARENS III / RONDO III (RP) 01.13-					MPV (Compact MPV-M1 Segment)			
1.6 GDI (G4FD)	Gasolina	FWD	1591	99	135	03.13-08.16	*	
2.0 MPi	Gasolina	FWD	1999	110	150	03.13-08.16	*	
2.0 MPi (G4NA)	Gasolina	FWD	1999	112	152	01.14-	*	
2.0 LPI	Gasolina	FWD	1999	113	154	03.13-	*	
2.0 GDI	Gasolina	FWD	1999	121	165	06.16-08.16	*	
2.0 GDI (G4NC)	Gasolina	FWD	1999	122	166	03.13-08.16	*	
2.0 GDI (G4NC)	Gasolina	FWD	1999	130	177	03.13-	*	
1.7 CRDi (D4FD)	Diesel	FWD	1685	85	116	03.13-08.18	*	
1.7 CRDi (D4FD)	Diesel	FWD	1685	99	135	03.13-08.16	*	
1.7 CRDi (D4FD)	Diesel	FWD	1685	100	136	03.13-08.16	*	
1.7 CRDi (D4FD)	Diesel	FWD	1685	104	141	07.15-09.18	*	
CEE'D II (JD) 05.12-					[CAMBIADO]:Fastback (Compact car-C Segment)			
1.0 T-GDI (G3LC)	Gasolina	FWD	998	74	100	07.15-07.18	*	
1.0 T-GDI (G3LC)	Gasolina	FWD	998	88	120	07.15-07.18	*	
1.4 MPI (G4LC)	Gasolina	FWD	1368	74	101	04.15-07.18	*	
1.4 CVVT (G4FA)	Gasolina	FWD	1396	66	90	05.12-07.18	*	
1.4 CVVT (G4FA)	Gasolina	FWD	1396	73	100	05.12-07.18	*	
1.6 CVVT	Gasolina	FWD	1591	92	125	05.12-	*	
1.6 CVVT (G4FC)	Gasolina	FWD	1591	95	130	01.13-07.18	*	
1.6 CVVT (G4FC)	Gasolina	FWD	1591	96	131	11.14-07.18	*	
1.6 GDI (G4FD)	Gasolina	FWD	1591	99	135	05.12-07.18	*	

LISTA DE APLICACIONES - BUYERS GUIDE

1.6 GT (G4FJ)		Gasolina	FWD	1591	150	204	06.13-07.18	*	
1.4 LPG		Gasol./Gas (LPG)	FWD	1396	72	98	05.12-07.18	*	
1.4 CRDi 90 (D4FC)		Diesel	FWD	1396	66	90	05.12-07.18	*	
1.6 CRDi 90		Diesel	FWD	1582	66	90	05.12-	*	
1.6 CRDi 110 (D4FB)		Diesel	FWD	1582	81	110	05.12-07.18	*	
1.6 CRDi 115		Diesel	FWD	1582	85	115	05.12-	*	
1.6 CRDi 128 (D4FB)		Diesel	FWD	1582	94	128	05.12-07.18	*	
1.6 CRDi 136 (D4FB)		Diesel	FWD	1582	100	136	07.15-07.18	*	
CEE'D II Combi Van (JD) 07.12-							[CAMBIADO]:Furgón/Break (Compact car-C Segment)		
1.0 T-GDI (G3LC)		Gasolina	FWD	998	74	101	04.15-07.18	*	
1.0 T-GDI (G3LC)		Gasolina	FWD	998	88	120	04.15-07.18	*	
1.4 CVVT (G4FA)		Gasolina	FWD	1396	73	100	04.15-07.18	*	
1.6 GDI (G4FD)		Gasolina	FWD	1591	99	135	04.15-07.18	*	
1.4 CRDi (D4FC)		Diesel	FWD	1396	66	90	04.15-07.18	*	
1.6 CRDI (D4FB)		Diesel	FWD	1582	94	128	07.12-07.18	*	
CEE'D II Sport Wagon (JD) 09.12-							[CAMBIADO]:Break (Compact car-C Segment)		
1.0 T-GDI (G3LC)		Gasolina	FWD	998	74	100	07.15-07.18	*	
1.0 T-GDI (G3LC)		Gasolina	FWD	998	88	120	07.15-07.18	*	
1.4 MPI (G4LC)		Gasolina	FWD	1368	74	101	04.15-07.18	*	
1.4 CVVT (G4FA)		Gasolina	FWD	1396	73	100	09.12-07.15	*	
1.6 CVVT (G4FC)		Gasolina	FWD	1591	95	130	11.14-07.18	*	
1.6 CVVT (G4FC)		Gasolina	FWD	1591	96	131	11.14-07.18	*	
1.6 GDI (G4FD)		Gasolina	FWD	1591	99	135	09.12-07.18	*	
1.4 LPG (G4FA)		Gasol./Gas (LPG)	FWD	1396	72	98	01.13-07.18	*	
1.4 CRDi 90 (D4FC)		Diesel	FWD	1396	66	90	09.12-07.18	*	
1.6 CRDi 110 (D4FB)		Diesel	FWD	1582	81	110	03.13-07.18	*	
1.6 CRDi 128 (D4FB)		Diesel	FWD	1582	94	128	09.12-07.15	*	
1.6 CRDi 136 (D4FB)		Diesel	FWD	1582	100	136	07.15-07.18	*	
CEE'D III (CD) 03.18-							[CAMBIADO]:Fastback (Compact car-C Segment)		
1.5 T-GDI		Gasolina	FWD	1482	103	140	02.24-	*	
1.0 T-GDI 100 Eco-Dynamics+		Gasol./eléc.	FWD	998	74	101	01.21-	*	
1.0 T-GDI MHEV		Gasol./eléc.	FWD	998	88	120	10.21-	*	
1.5 T-GDi MHEV		Gasol./eléc.	FWD	1482	103	140	02.24-	*	
1.5 T-GDI Eco-Dynamics+		Gasol./eléc.	FWD	1482	118	160	01.21-	*	
CEE'D III Sport Wagon (CD) 03.18-							[CAMBIADO]:Break (Compact car-C Segment)		
1.5 T-GDI		Gasolina	FWD	1482	103	140	02.24-	*	
1.0 T-GDI 100 Eco-Dynamics+		Gasol./eléc.	FWD	998	74	101	04.22-	*	
1.0 T-GDi Eco-Dynamics+		Gasol./eléc.	FWD	998	88	120	07.21-	*	
1.5 T-GDi MHEV		Gasol./eléc.	FWD	1482	103	140	02.24-	*	
1.5 T-GDI Eco-Dynamics+		Gasol./eléc.	FWD	1482	118	160	01.21-	*	
CERATO II KOUP / FORTE KOUP / K3 (TD) 01.09-							Coupé (Compact car-C Segment)		
2.4		Gasolina	FWD	2359	129	175	09.10-12.13	*	
CERATO III / FORTE III / K3 (YD) 09.12-							Sedán (Compact car-C Segment)		
1.6 CVVT		Gasolina	FWD	1591	95	129	07.16-06.18	*	

LISTA DE APLICACIONES - BUYERS GUIDE

1.6 MPi (G4FG)		Gasolina	FWD	1591	96	130	06.13-05.17	*	
1.6 GDI		Gasolina	FWD	1591	103	140	09.12-	*	
2.0 MPi (G4KD)		Gasolina	FWD	1997	110	150	06.13-12.16	*	
2.0 CVVT		Gasolina	FWD	1998	118	160	07.16-12.18	*	
2.0 MPi (G4NA)		Gasolina	FWD	1999	112	152	03.16-06.18	*	
1.6 16V Flex (F4FA)		Gasol./Etanol	FWD	1591	94	128	06.13-09.19	*	
1.6 VGT		Diesel	RWD	1582	94	128	09.12-	*	
CERATO III / FORTE III / K3 EURO (YD) 09.12-					[CAMBIADO]:Fastback (Compact car-C Segment)				
1.6 CVVT (G4FC)		Gasolina	FWD	1591	95	129	11.14-	*	
1.6 GDI		Gasolina	FWD	1591	103	140	09.12-	*	
2.0 CVVT (G4NA)		Gasolina	FWD	1999	118	160	07.16-	*	
CERATO III KOUP / K3 KOUP (YD) 12.13-					Coupé (Compact car-C Segment)				
1.6 GDI		Gasolina	FWD	1591	103	140	12.13-	*	
1.6 T-GDI (G4FJ)		Gasolina	FWD	1591	150	204	12.13-	*	
1.6 T-GDI		Gasolina	FWD	1591	152	207	07.16-	*	
2.0 MPi		Gasolina	FWD	1998	110	150	12.13-	*	
2.0 GDI (G4NC)		Gasolina	FWD	1998	118	161	09.14-	*	
2.0 CVVT		Gasolina	FWD	1999	118	160	03.16-	*	
FORTE II (U.S.A.) 09.10-					[CAMBIADO]:Fastback (Compact car-C Segment)				
2.0		Gasolina	FWD	1998	116	158	09.11-	*	
FORTE II (U.S.A.) 09.09-					Coupé (Compact car-C Segment)				
2.0		Gasolina	FWD	1998	116	158	09.09-	*	
2.4		Gasolina	FWD	2359	127	173	09.09-	*	
2.4		Gasolina	FWD	2359	129	175	09.12-	*	
FORTE II (U.S.A.) 09.09-					Sedán (Compact car-C Segment)				
2.0		Gasolina	FWD	1998	116	158	09.09-	*	
2.4		Gasolina	FWD	2359	129	175	09.09-	*	
NIRO (DE) 09.16-					SUV (Mini SUV-J Segment)				
1.6 GDI Hybrid (G4LE)		Gasol./eléc.	FWD	1580	77	105	09.16-	*	
1.6 GDI Plug-in Hybrid (G4LE)		Gasol./eléc.	FWD	1580	104	141	09.16-08.22	*	
E-NIRO		Eléctrico	FWD		100	136	08.18-08.22	*	
NIRO Van (DE) 09.16-					Furgoneta/SUV (Mini SUV-J Segment)				
GDI Hybrid (G4LE)		Gasol./eléc.	FWD	1580	77	105	09.16-	*	
GDI Hybrid		Gasol./eléc.	FWD	1580	104	141	09.16-	*	
OPTIMA III / K5 (FSGDS6B) 01.10-					Sedán (Executive car-E Segment)				
2.0 CVVT (G4KD)		Gasolina	FWD	1998	110	150	01.11-12.15	*	
2.0 CVVL (G4KD)		Gasolina	FWD	1998	121	165	03.12-12.15	*	
2.0 (G4KD)		Gasolina	FWD	1998	125	170	03.12-12.15	*	
2.0 (G4KH)		Gasolina	FWD	1998	204	277	09.10-12.15	*	
2.0 CVVT (G4NA)		Gasolina	FWD	1999	121	165	03.13-12.15	*	
2.4		Gasolina	FWD	2359	129	175	06.10-12.15	*	
2.4 (G4KJ)		Gasolina	FWD	2359	132	179	03.12-12.15	*	
2.4 CVVT (G4KE)		Gasolina	FWD	2359	132	179	01.12-12.15	*	
2.4 (G4KJ)		Gasolina	FWD	2359	149	203	09.10-12.15	*	
2.0 CVVT Hybrid (G4NE)		Gasol./eléc.	FWD	1999	110	150	03.12-	*	

LISTA DE APLICACIONES - BUYERS GUIDE

2.0 CVVT Hybrid		Gasol./el éc.	FWD	1999	140	190	12.12-12.15	*	
2.4 Hybrid		Gasol./el éc.	FWD	2359	154	209	09.11-12.15	*	
1.7 CRDi (D4FD)		Diesel	FWD	1685	100	136	03.12-12.15	*	
OPTIMA IV / K5 (JF) 09.15-					Sedán (Executive car-E Segment)				
1.6 T-GDI (G4FJ)		Gasolina	FWD	1591	132	179	09.18-12.19	*	
1.6		Gasolina	FWD	1591	133	180	09.15-	*	
2.0 T-GDI (G4KH)		Gasolina	FWD	1998	175	238	06.18-12.19	*	
2.0 T-GDI (G4KH)		Gasolina	FWD	1998	180	245	09.15-12.19	*	
2.0 (G4ND)		Gasolina	FWD	1999	110	150	09.15-12.19	*	
2.0		Gasolina	FWD	1999	113	154	09.15-12.19	*	
2.0 CVVL (G4ND)		Gasolina	FWD	1999	120	163	09.15-12.19	*	
2.0 CVVL (G4ND)		Gasolina	FWD	1999	124	168	09.15-12.17	*	
2.4 MPi (G4KE)		Gasolina	FWD	2359	126	171	09.15-12.19	*	
2.4		Gasolina	FWD	2359	138	180	09.15-	*	
2.4 GDI (G4KJ)		Gasolina	FWD	2359	138	188	09.15-12.19	*	
2.0 LPI		Gasol./G as (LPG)	FWD	1999	113	153	09.15-	*	
2.0 Gdi Hybrid (G4NG)		Gasol./el éc.	FWD	1999	115	156	09.16-	*	
2.0 Gdi Hybrid (G4NG)		Gasol./el éc.	FWD	1999	151	205	09.16-12.19	*	
1.6 CRDI (D4FE)		Diesel	FWD	1598	100	136	06.18-12.19	*	
1.7 CRDi (D4FD)		Diesel	FWD	1685	99	135	09.16-04.18	*	
1.7 CRDi (D4FD)		Diesel	FWD	1685	104	141	11.15-04.18	*	
OPTIMA IV / K5 Sport Wagon (JF) 09.16-					[CAMBIADO]:Break (Executive car-E Segment)				
1.6 T-GDI (G4FJ)		Gasolina	FWD	1591	132	179	01.18-12.19	*	
2.0 T-GDi GT (G4KH)		Gasolina	FWD	1998	175	238	01.18-12.19	*	
2.0 T-GDI (G4KH)		Gasolina	FWD	1998	180	245	09.16-12.19	*	
2.0 CVVL		Gasolina	FWD	1999	120	163	09.16-12.19	*	
2.0 Gdi Hybrid (G4NG)		Gasol./el éc.	FWD	1999	115	156	04.17-	*	
2.0 Gdi Hybrid (G4NG)		Gasol./el éc.	FWD	1999	151	205	04.17-12.19	*	
1.6 CRDI (D4FE)		Diesel	FWD	1598	100	136	01.18-12.19	*	
1.7 CRDi (D4FD)		Diesel	FWD	1685	99	135	09.16-04.18	*	
1.7 CRDi (D4FD)		Diesel	FWD	1685	104	141	09.16-04.18	*	
PRO CEE'D II (JD) 03.13-					[CAMBIADO]:Fastback (Compact car-C Segment)				
1.0 T-GDI (G3LC)		Gasolina	FWD	998	74	100	07.15-07.18	*	
1.0 T-GDI (G3LC)		Gasolina	FWD	998	88	120	07.15-07.18	*	
1.4 MPI		Gasolina	FWD	1368	73	100	07.13-07.18	*	
1.4 MPI (G4LC)		Gasolina	FWD	1368	74	101	04.15-07.18	*	
1.4 CVVT (G4FA)		Gasolina	FWD	1396	73	100	03.13-07.15	*	
1.4 CVVT (G4FA)		Gasolina	FWD	1396	74	101	07.13-07.18	*	
1.6 CVVT (G4FC)		Gasolina	FWD	1591	95	130	03.13-07.18	*	
1.6 GDI (G4FD)		Gasolina	FWD	1591	99	135	03.13-07.18	*	
1.6 GT (G4FJ)		Gasolina	FWD	1591	150	204	06.13-07.18	*	
1.4 CRDi 90 (D4FC)		Diesel	FWD	1396	66	90	03.13-07.18	*	
1.6 CRDi 110 (D4FB)		Diesel	FWD	1582	81	110	03.13-07.18	*	
1.6 CRDi 128 (D4FB)		Diesel	FWD	1582	94	128	03.13-07.15	*	
1.6 CRDi 136 (D4FB)		Diesel	FWD	1582	100	136	07.15-07.18	*	

LISTA DE APLICACIONES - BUYERS GUIDE

					Furgón/hatchback (Compact car-C Segment)				
PRO CEE'D II (JD) 03.12-									
1.0 T-GDI		Gasolina	FWD	998	88	120	05.15-07.18	*	
1.4 MPI		Gasolina	FWD	1368	74	101	05.15-07.18	*	
1.4 CVVT (G4FA)		Gasolina	FWD	1396	73	99	05.12-07.18	*	
1.6 GDI (G4FD)		Gasolina	FWD	1591	99	135	04.15-07.18	*	
1.4 CRDi (D4FC)		Diesel	FWD	1396	66	90	05.15-07.18	*	
1.6 CRDi (D4FB)		Diesel	FWD	1582	94	128	10.12-07.18	*	
1.6 CRDI		Diesel	FWD	1582	100	136	05.15-07.18	*	
PRO CEE'D III (CD) 10.18-					[CAMBIADO]:Break (Compact car-C Segment)				
1.0 T-GDI		Gasolina	FWD	998	73	99	02.24-	*	
1.5 T-GDI		Gasolina	FWD	1482	103	140	02.24-	*	
1.5 T-GDi MHEV		Gasol./el éc.	FWD	1482	103	140	02.24-	*	
1.5 T-GDI Eco-Dynamics+		Gasol./el éc.	FWD	1482	118	160	01.21-	*	
RIO IV (YB, SC, FB) 01.17-					[CAMBIADO]:Fastback (Supermini car-B Segment)				
LPG		Gasol./Gas (LPG)	FWD	1197	60	82	05.20-	*	
RIO III (UB) 09.11-					[CAMBIADO]:Fastback (Supermini car-B Segment)				
1.2 (G4LA)		Gasolina	FWD	1248	51	69	09.11-12.17	*	
1.2 CVVT (G4LA)		Gasolina	FWD	1248	62	84	09.11-12.17	*	
1.25 CVVT (G4LA)		Gasolina	FWD	1248	63	86	09.11-12.17	*	
1.25 (G4LA)		Gasolina	FWD	1248	64	87	11.14-12.17	*	
1.25 CVVT (G4LA)		Gasolina	FWD	1248	65	88	09.11-12.17	*	
1.4 CVVT (G4FA)		Gasolina	FWD	1396	78	106	09.11-12.17	*	
1.4 CVVT (G4FA)		Gasolina	FWD	1396	79	107	09.11-12.17	*	
1.4 CVVT (G4FA)		Gasolina	FWD	1396	80	109	09.11-12.17	*	
1.6 CVVT (G4FC)		Gasolina	FWD	1591	90	123	06.12-12.17	*	
1.25 LPG (G4LA)		Gasol./Gas (LPG)	FWD	1248	63	86	09.11-12.17	*	
1.1 CRDi (D3FA)		Diesel	FWD	1120	55	75	09.11-12.17	*	
1.4 CRDi (D4FC)		Diesel	FWD	1396	66	90	09.11-12.17	*	
RIO III (UB) 09.11-					Furgón/hatchback (Supermini car-B Segment)				
1.2 CVVT (G4LA)		Gasolina	FWD	1248	63	86	04.15-12.17	*	
1.4 CVVT (G4FA)		Gasolina	FWD	1396	80	109	04.15-	*	
1.1 CRDi (D3FA)		Diesel	FWD	1120	55	75	09.11-	*	
1.4 CRDi (D4FC)		Diesel	FWD	1396	66	90	04.15-	*	
RIO III (UB) 09.10-					Sedán (Supermini car-B Segment)				
1.25 CVVT (G4LA)		Gasolina	FWD	1248	61	83	04.15-12.17	*	
1.25 CVVT (G4LA)		Gasolina	FWD	1248	63	86	10.11-12.17	*	
1.2 CVVT (G4LA)		Gasolina	FWD	1248	64	87	11.14-12.17	*	
1.25 CVVT (G4LA)		Gasolina	FWD	1248	65	88	06.11-12.17	*	
1.4 CVVT		Gasolina	FWD	1396	78	106	10.11-	*	
1.4 CVVT (G4FA)		Gasolina	FWD	1396	79	107	06.11-12.17	*	
1.4 CVVT (G4FA)		Gasolina	FWD	1396	80	109	10.11-12.17	*	
1.6 CVVT (G4FC)		Gasolina	FWD	1591	90	123	06.12-12.17	*	
SELTOS (SP2, SP2I) 08.19-					SUV (Compact SUV-J Segment)				
1.6 MPi 4WD (SP2) (G4FG)		Gasolina	4WD	1591	89	121	09.19-	*	
1.6 MPi (SP2) (G4FG)		Gasolina	FWD	1591	90	122	09.19-	*	
1.6 T-GDi 4WD (SP2) (G4FJ)		Gasolina	4WD	1591	130	177	09.19-06.22	*	

LISTA DE APLICACIONES - BUYERS GUIDE

					[CAMBIADO]:Fastback (Mini MPV-M1 Segment)				
SOUL (AM) 01.09-									
1.6 CVVT (G4FC)		Gasolina	FWD	1591	77	105	02.09-12.11	*	
1.6 CVVT (G4FC)		Gasolina	FWD	1591	93	126	02.09-12.11	*	
1.6 CVVT (G4FC)		Gasolina	FWD	1591	95	129	06.11-12.14	*	
1.6 Flex		Gasolina	FWD	1591	96	130	01.11-	*	
1.6 GDI		Gasolina	FWD	1591	97	132	02.14-	*	
1.6 GDI (G4FD)		Gasolina	FWD	1591	103	140	06.11-12.14	*	
1.6 Flex		Gasol./Etanol	FWD	1591	94	128	01.11-12.14	*	
1.6 CRDi 115 (D4FB)		Diesel	FWD	1582	85	115	02.09-12.14	*	
1.6 CRDi 128 (D4FB)		Diesel	FWD	1582	94	126	02.09-12.14	*	
SOUL II (PS) 02.14-					[CAMBIADO]:Fastback (Mini MPV-M1 Segment)				
1.6 CVVT (G4FG)		Gasolina	FWD	1591	91	124	02.14-12.18	*	
1.6 CVVT		Gasolina	FWD	1591	95	129	07.16-12.18	*	
1.6 GDI (G4FD)		Gasolina	FWD	1591	97	132	02.14-12.18	*	
1.6 TGD		Gasolina	FWD	1591	150	204	11.16-12.18	*	
2.0 CVVT		Gasolina	FWD	1998	116	158	07.16-	*	
2.0 CVVT (G4NA)		Gasolina	FWD	1999	110	150	08.16-12.18	*	
2.0 CVVT (G4NA)		Gasolina	FWD	1999	113	154	02.14-12.18	*	
1.6 LPG (G4FG)		Gasol./Gas (LPG)	FWD	1591	87	118	12.14-12.18	*	
1.6 LPG (G4FG)		Gasol./Gas (LPG)	FWD	1591	96	131	12.14-12.18	*	
EV Electric		Eléctrico	FWD		25	33	09.14-11.18	*	
EV Electric		Eléctrico	FWD		26	36	03.17-11.18	*	
EV Electric		Eléctrico	FWD		81	110	09.14-11.18	*	
1.6 CRDi 128 (D4FB)		Diesel	FWD	1582	94	126	02.14-12.18	*	
1.6 CRDi 136 (D4FB)		Diesel	FWD	1582	100	136	04.15-12.18	*	
SPORTAGE IV (QL, QLE) 01.15-					SUV (Compact SUV-J Segment)				
1.6 GDI (G4FD)		Gasolina	FWD	1591	97	132	09.15-09.22	*	
1.6 T-GDI (G4FJ)		Gasolina	FWD	1591	130	177	09.15-09.22	*	
1.6 T-GDI AWD (G4FJ)		Gasolina	4WD	1591	130	177	09.15-09.22	*	
2.0 (G4NA)		Gasolina	FWD	1999	114	155	12.15-09.22	*	
2.0 AWD (G4NA)		Gasolina	4WD	1999	114	155	12.15-09.22	*	
2.0 (G4NA)		Gasolina	FWD	1999	115	157	12.15-09.22	*	
2.0 (G4NA)		Gasolina	FWD	1999	117	159	12.15-09.22	*	
2.0 Flex		Gasolina	FWD	1999	123	167	06.16-	*	
2.4 GDI AWD		Gasolina	4WD	2359	135	184	09.15-09.22	*	
2.0 Alcohol		Gasol./Etanol	FWD	1999	114	155	12.15-09.22	*	
1.7 CRDi (D4FD)		Diesel	FWD	1685	85	116	09.15-09.22	*	
1.7 CRDi (D4FD)		Diesel	FWD	1685	104	141	11.16-09.22	*	
2.0 CRDi (D4HA)		Diesel	FWD	1995	100	136	09.15-09.22	*	
2.0 CRDi AWD (D4HA)		Diesel	4WD	1995	100	136	09.15-09.22	*	
2.0 CRDi AWD		Diesel	4WD	1995	129	175	09.15-09.22	*	
2.0 CRDi AWD (D4HA)		Diesel	4WD	1995	131	178	09.15-09.22	*	
2.0 CRDi AWD (D4HA)		Diesel	4WD	1995	136	185	09.15-09.22	*	
STONIC (YB) 07.17-					[CAMBIADO]:Fastback (Subcompact SUV-B Segment)				
1.2 CVVT		Gasolina	FWD	1197	58	79	04.24-12.25	*	
1.0 T-GDi LPG		Gasol./Gas (LPG)	FWD	998	70	95	01.23-	*	
1.2 LPG		Gasol./Gas (LPG)	FWD	1197	60	82	01.23-12.25	*	

LISTA DE APLICACIONES - BUYERS GUIDE

XCEED (CD) 06.19-					SUV (Compact SUV-J Segment)			
1.0 T-GDI		Gasolina	FWD	998	74	101	02.24-	*
1.5 T-GDI		Gasolina	FWD	1482	103	140	02.24-	*
1.0 T-GDi LPG		Gasol./Gas (LPG)	FWD	998	86	117	05.21-	*
1.0 T-GDI MHEV		Gasol./el éc.	FWD	998	88	120	08.21-	*
1.5 T-GDi MHEV		Gasol./el éc.	FWD	1482	103	140	02.24-	*
1.5 T-GDi MHEV		Gasol./el éc.	FWD	1482	118	160	01.21-	*
KIA (DYK)								
FORTE II 11.17-					Sedán (Compact car-C Segment)			
1.6 (G4FG)		Gasolina	FWD	1591	90	123	11.17-	*
K3 II 05.19-					Sedán (Executive car-E Segment)			
1.4 (G4LD)		Gasolina	FWD	1353	96	130	05.19-	*
hybrid (G4LE)		Gasol./el éc.	FWD	1580	77	105	09.19-	*
SOUL 12.09-					[CAMBIADO]:Fastback (Mini MPV-M1 Segment)			
1.6		Gasolina	FWD	1591	91	124	12.09-	*
2.0		Gasolina	FWD	2000	105	143	12.09-	*
SPORTAGE III (NP) 04.18-					SUV (Compact SUV-J Segment)			
2.0 (G4NA)		Gasolina	FWD	1999	118	161	04.18-	*
SPORTAGE III ACE (NP) 07.21-					SUV (Compact SUV-J Segment)			
2.0 (G4NJ)		Gasolina	FWD	1999	118	160	07.21-	*
SSANGYONG								
(J100) 06.22-					SUV ()			
1.5 GDI		Gasolina	FWD	1497	120	163	06.22-	*
1.5 GDI AWD		Gasolina	4WD	1497	120	163	06.22-	*
KORANDO IV (C300) 02.19-					SUV (Executive SUV-J Segment)			
1.5		Gasolina	FWD	1497	110	150	02.21-	*
1.5 4WD		Gasolina	4WD	1497	110	150	02.21-	*
1.5 e-XGDi (G15DTF)		Gasolina	FWD	1497	120	163	02.19-	*
1.5 e-XGDi 4WD (G15DTF)		Gasolina	4WD	1497	120	163	02.19-	*
1.5 LPG		Gasol./Gas (LPG)	FWD	1497	120	163	03.23-	*
1.5 LPG 4WD		Gasol./Gas (LPG)	4WD	1497	120	163	03.23-	*
1.6 e-XDi (D16DTF)		Diesel	FWD	1597	100	136	02.19-	*
1.6 e-XDi 4WD (D16DTF)		Diesel	4WD	1597	100	136	02.19-	*
TIVOLI 01.15-					SUV (Mini SUV-J Segment)			
1.2 (G12DTF)		Gasolina	FWD	1197	94	128	03.20-	*
1.5		Gasolina	FWD	1497	99	135	12.21-	*
1.5 (G15DTF)		Gasolina	FWD	1497	120	163	06.19-	*
1.5 A las 4 ruedas (G15DTF)		Gasolina	4WD	1497	120	163	06.19-	*
1.6 (G16DF)		Gasolina	FWD	1597	93	126	04.15-	*
1.6 A las 4 ruedas		Gasolina	4WD	1597	93	126	04.15-	*
1.6 (G16DF)		Gasolina	FWD	1597	94	128	04.15-	*
1.6 A las 4 ruedas (G16DF)		Gasolina	4WD	1597	94	128	03.15-	*
1.2 T-GDi LPG		Gasol./Gas (LPG)	FWD	1197	94	128	06.22-	*
1.6 GPL (G16DF)		Gasol./Gas (LPG)	FWD	1597	94	128	04.15-	*

LISTA DE APLICACIONES - BUYERS GUIDE

1.6 GPL A las 4 ruedas (G16DF)	Gasol./Gas (LPG)	4WD	1597	94	128	03.15-	*
1.6 CNG (G16DF)	Gasol./Gas (CNG)	FWD	1597	94	128	07.18-	*
1.6 XDi 160	Diesel	FWD	1597	83	113	04.15-	*
1.6 XDi 160 (D16DTF)	Diesel	FWD	1597	85	116	04.15-	*
1.6 XDi 160 A las 4 ruedas (D16DTF)	Diesel	4WD	1597	85	116	04.15-	*
1.6 XDi 160 (D16DTF)	Diesel	FWD	1597	100	136	06.19-	*
1.6 XDi 160 A las 4 ruedas (D16DTF)	Diesel	4WD	1597	100	136	06.19-	*
TIVOLI GRAND 06.21-				SUV (Mini SUV-J Segment)			
1.2 T-GDi	Gasolina	FWD	1197	94	128	06.21-	*
1.5 T-GDI	Gasolina	FWD	1497	120	163	06.21-	*
XLV SUV 04.16-				SUV (Mini SUV-J Segment)			
e-XGi 160 (G16DF)	Gasolina	FWD	1597	93	126	05.16-	*
e-XGi 160 (G16DF)	Gasolina	FWD	1597	94	128	04.16-	*
e-XGi 160 A las 4 ruedas (G16DF)	Gasolina	4WD	1597	94	128	04.16-	*
1.6 GPL (G16DF)	Gasol./Gas (LPG)	FWD	1597	94	128	05.16-	*
1.6 GPL A las 4 ruedas (G16DF)	Gasol./Gas (LPG)	4WD	1597	94	128	05.16-	*
1.6 CNG (G16DF)	Gasol./Gas (CNG)	FWD	1597	94	128	07.18-	*
e-XDi 160 (D16DTF)	Diesel	FWD	1597	85	116	04.16-	*
e-XDi 160 A las 4 ruedas (D16DTF)	Diesel	4WD	1597	85	116	04.16-	*
XLV VAN 04.16-				Furgoneta/SUV (Mini SUV-J Segment)			
e-XGi	Gasolina	FWD	1597	94	128	12.16-	*
e-XGi A las 4 ruedas	Gasolina	4WD	1597	94	128	12.16-	*
e-XDi	Diesel	FWD	1597	85	116	12.16-	*
e-XDi A las 4 ruedas	Diesel	4WD	1597	85	116	12.16-	*