

LISTA DE APLICACIONES - BUYERS GUIDE

RB2035-233

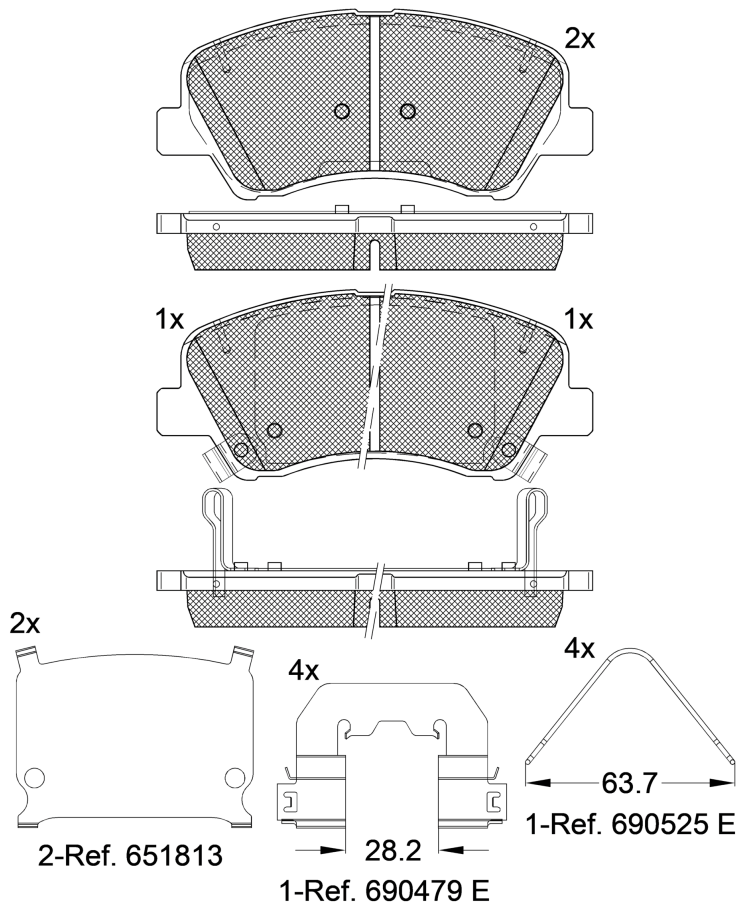


8 424073 180186

Qty: 300

Weight: 1.710

| O.E.M. | MAKE |
|-------------|---------|
| 58101-C8A00 | HYUNDAI |
| 58101-C8A10 | HYUNDAI |
| 58101-C8A50 | HYUNDAI |
| 58101-C8A60 | HYUNDAI |
| 58101-H5A25 | HYUNDAI |
| 58101-H8A05 | KIA |
| 58101-H9A10 | KIA |
| 58101-H9A60 | HYUNDAI |
| 58101-Q0A00 | HYUNDAI |



RB2035-233

E 9 90R-02A0111/5224



Mando

132.8x58x18.4

FMSI

D2190-8806

Sin Filas



| Trac. | CC | Kw | CV |
|-------|----|----|----|
|-------|----|----|----|



Front / Rear

HYUNDAI

ACCENT V / SOLARIS / VERNA (HC) 01.17-

| | | | | | Sedán (Supermini car-B Segment) | | | |
|------------|----------|-----|------|----|---------------------------------|--------|---|--|
| 1.4 (G4LC) | Gasolina | FWD | 1368 | 73 | 99 | 07.18- | * | |

BAYON (BC3) 05.21-

| | | | | | SUV (Compact Crossover SUV-C Segment) | | | |
|----------------------|------------------|-----|------|----|---------------------------------------|--------|---|--|
| 1.0 T-GDI | Gasolina | FWD | 998 | 74 | 101 | 05.21- | * | |
| 1.2 MPI | Gasolina | FWD | 1197 | 62 | 84 | 05.21- | * | |
| 1.4 MPI | Gasolina | FWD | 1368 | 74 | 101 | 05.21- | * | |
| 1.2 LPG | Gasol./Gas (LPG) | FWD | 1197 | 62 | 84 | 05.23- | * | |
| 1.0 T-GDI 48V-Hybrid | Gasol./eléc. | FWD | 998 | 74 | 101 | 05.21- | * | |
| 1.0 T-GDI 48V-Hybrid | Gasol./eléc. | FWD | 998 | 88 | 120 | 05.21- | * | |

i20 II (GB, IB) 11.14-

| | | | | | [CAMBIADO]:Fastback (Supermini car-B Segment) | | | |
|------------------|------------------|-----|------|----|---|-------------|---|--|
| 1.0 T-GDI (G3LC) | Gasolina | FWD | 998 | 74 | 101 | 01.16-08.20 | * | |
| 1.0 T-GDI (G3LC) | Gasolina | FWD | 998 | 88 | 120 | 01.16-08.20 | * | |
| 1.2 (G4LA) | Gasolina | FWD | 1248 | 55 | 75 | 11.14-03.20 | * | |
| 1.2 (G4LA) | Gasolina | FWD | 1248 | 62 | 84 | 11.14-08.20 | * | |
| 1.4 (G4LC) | Gasolina | FWD | 1368 | 74 | 100 | 11.14-06.18 | * | |
| 1.2 LPG (G4LA) | Gasol./Gas (LPG) | FWD | 1248 | 55 | 75 | 01.19-09.20 | * | |
| 1.2 LPGI (G4LA) | Gasol./Gas (LPG) | FWD | 1248 | 61 | 83 | 11.14-06.19 | * | |
| 1.1 CRDi (D3FA) | Diesel | FWD | 1120 | 55 | 75 | 11.14-06.18 | * | |
| 1.4 CRDi (D4FC) | Diesel | FWD | 1396 | 66 | 90 | 11.14-06.18 | * | |

LISTA DE APLICACIONES - BUYERS GUIDE

| | | | | | | | | |
|---|--|------------------|-----|------|---|-----|-------------|---|
| i20 II (GB) 03.15- | | | | | Coupé (Supermini car-B Segment) | | | |
| 1.0 T-GDI (G3LC) | | Gasolina | FWD | 998 | 74 | 101 | 01.16-09.21 | * |
| 1.0 T-GDI (G3LC) | | Gasolina | FWD | 998 | 88 | 120 | 01.16-09.21 | * |
| 1.2 (G4LA) | | Gasolina | FWD | 1248 | 62 | 84 | 05.15-09.21 | * |
| 1.4 (G4LC) | | Gasolina | FWD | 1368 | 74 | 100 | 05.15-09.21 | * |
| 1.1 CRDi (D3FA) | | Diesel | FWD | 1120 | 55 | 75 | 05.15-09.21 | * |
| 1.4 CRDi (D4FC) | | Diesel | FWD | 1396 | 66 | 90 | 05.15-09.21 | * |
| i20 II ACTIVE (IB, GB) 09.15- | | | | | [CAMBIADO]:Fastback (Subcompact SUV-B Segment) | | | |
| 1.0 T-GDI (G3LC) | | Gasolina | FWD | 998 | 74 | 101 | 09.15-06.18 | * |
| 1.0 T-GDI (G3LC) | | Gasolina | FWD | 998 | 88 | 120 | 09.15-06.18 | * |
| 1.4 (G4LC) | | Gasolina | FWD | 1368 | 73 | 99 | 07.18- | * |
| 1.4 CVVT (G4LC) | | Gasolina | FWD | 1368 | 74 | 101 | 09.15-06.18 | * |
| 1.4 CRDi (D4FC) | | Diesel | FWD | 1396 | 66 | 90 | 09.15-06.18 | * |
| i20 II Van (GB, IB) 11.14- | | | | | Furgón/hatchback (Supermini car-B Segment) | | | |
| 1.0 T-GDI (G3LC) | | Gasolina | FWD | 998 | 74 | 101 | 01.16-09.21 | * |
| 1.2 MPI (G4LA) | | Gasolina | FWD | 1248 | 55 | 75 | 05.15-09.21 | * |
| 1.2 MPI (G4LA) | | Gasolina | FWD | 1248 | 62 | 84 | 05.15-09.21 | * |
| 1.4 MPI (G4LC) | | Gasolina | FWD | 1368 | 74 | 101 | 05.15-09.21 | * |
| 1.1 CRDi (D3FA) | | Diesel | FWD | 1120 | 55 | 75 | 05.15-09.21 | * |
| 1.4 CRDi (D4FC) | | Diesel | FWD | 1396 | 66 | 90 | 05.15-09.21 | * |
| i20 III (BC3, BI3) 08.20- | | | | | [CAMBIADO]:Fastback (Supermini car-B Segment) | | | |
| 1.0 T-GDI (G3LE) | | Gasolina | FWD | 998 | 74 | 101 | 08.20- | * |
| 1.2 | | Gasolina | FWD | 1197 | 58 | 79 | 05.24- | * |
| 1.2 (G4LF) | | Gasolina | FWD | 1197 | 62 | 84 | 08.20- | * |
| 1.4 MPI | | Gasolina | FWD | 1368 | 74 | 101 | 05.21- | * |
| 1.2 LPG | | Gasol./Gas (LPG) | FWD | 1197 | 58 | 79 | 11.24- | * |
| 1.0 T-GDI hybrid 48V (G3LE) | | Gasol./eléc. | FWD | 998 | 74 | 101 | 08.20- | * |
| 1.0 T-GDI hybrid 48V (G3LE) | | Gasol./eléc. | FWD | 998 | 88 | 120 | 08.20- | * |
| SOLARIS / ACCENT V (HCR, HCI) 01.17- | | | | | Sedán (Supermini car-B Segment) | | | |
| 1.4 (G4LC) | | Gasolina | FWD | 1368 | 74 | 101 | 01.17- | * |
| 1.6 | | Gasolina | FWD | 1591 | 89 | 121 | 01.17- | * |
| 1.6 (G4FG) | | Gasolina | FWD | 1591 | 90 | 122 | 01.17- | * |
| KIA | | | | | | | | |
| RIO IV (YB, SC, FB) 01.17- | | | | | [CAMBIADO]:Fastback (Supermini car-B Segment) | | | |
| 1.0 T-GDI 100 (G3LC) | | Gasolina | FWD | 998 | 74 | 101 | 01.17- | * |
| 1.0 T-GDI 100 (G3LE) | | Gasolina | FWD | 998 | 74 | 101 | 01.17- | * |
| 1.0 T-GDI 120 (G3LC) | | Gasolina | FWD | 998 | 88 | 120 | 01.17- | * |
| 1.2 CVVT | | Gasolina | FWD | 1197 | 62 | 84 | 05.20- | * |
| 1.25 (G4LA) | | Gasolina | FWD | 1248 | 62 | 84 | 01.17- | * |
| 1.4 (G4LC) | | Gasolina | FWD | 1368 | 73 | 99 | 01.17- | * |
| 1.4 (G4LC) | | Gasolina | FWD | 1368 | 74 | 101 | 01.17- | * |
| 1.6 (G4FG) | | Gasolina | FWD | 1591 | 90 | 123 | 01.17- | * |
| LPG | | Gasol./Gas (LPG) | FWD | 1197 | 60 | 82 | 05.20- | * |
| 1.25 LPG (G4LA) | | Gasol./Gas (LPG) | FWD | 1248 | 60 | 82 | 05.19- | * |
| 1.0 T-GDI 100 Eco-Dynamics+ | | Gasol./eléc. | FWD | 998 | 74 | 101 | 08.20-04.23 | * |

LISTA DE APLICACIONES - BUYERS GUIDE

| | | | | | | | |
|---------------------------------------|------------------|-----|------|--|-----|-------------|---|
| 1.0 T-GDI 120 Eco-Dynamics+ (G3LF) | Gasol./el éc. | FWD | 998 | 88 | 120 | 08.20-04.23 | * |
| 1.4 CRDi 77 (D4FC) | Diesel | FWD | 1396 | 57 | 78 | 01.17- | * |
| 1.4 CRDi 90 (D4FC) | Diesel | FWD | 1396 | 66 | 90 | 01.17- | * |
| RIO IV (SC, FB) 07.17- | | | | Sedán (Supermini car-B Segment) | | | |
| 1.4 (G4LC) | Gasolina | FWD | 1368 | 73 | 99 | 07.17- | * |
| 1.4 (G4LC) | Gasolina | FWD | 1368 | 74 | 100 | 07.17- | * |
| 1.6 (G4FG) | Gasolina | FWD | 1591 | 90 | 123 | 07.17- | * |
| RIO IV X-LINE IV (FB) 11.17- | | | | [CAMBIADO]:Fastback (Supermini car-B Segment) | | | |
| 1.4 | Gasolina | FWD | 1368 | 74 | 101 | 11.17- | * |
| 1.6 | Gasolina | FWD | 1591 | 90 | 122 | 11.17- | * |
| RIO IV Van (YB, SC, FB) 01.17- | | | | Furgón/hatchback (Supermini car-B Segment) | | | |
| 1.0 T-GDI 100 (G3LC) | Gasolina | FWD | 998 | 74 | 101 | 01.17- | * |
| 1.0 T-GDI 120 (G3LC) | Gasolina | FWD | 998 | 88 | 120 | 01.17- | * |