

LISTA DE APLICACIONES - BUYERS GUIDE

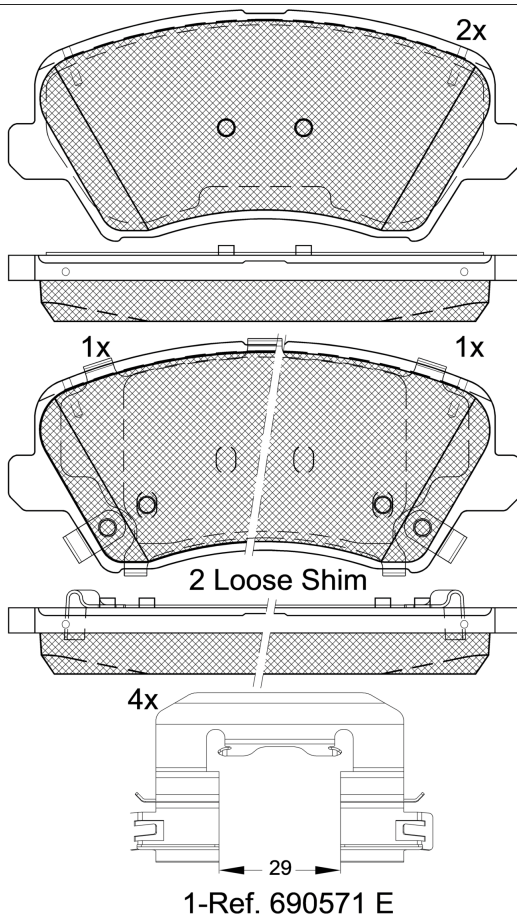
RB2029-234



Qty: 300

Weight: 1.820

O.E.M.	MAKE
58101-G4A05	HYUNDAI
58101-J3A00	HYUNDAI



RB2029-234

E 9 90R-02A0111/5478



Mando

132.6x59.8x18.4

FMSI

D1828-8810

Sin Filas



Trac.	CC	Kw	CV
-------	----	----	----



Front / Rear

HYUNDAI

						[CAMBIADO]:Fastback (Compact car-C Segment)			
i30 III (PDE, PD, PDEN) 11.16-									
1.4 MPI (G4LC)		Gasolina	FWD	1368	74	100	11.16-12.20	*	
1.5 (G4LG)		Gasolina	FWD	1498	81	110	06.20-	*	
i30 III CW (PDE) 03.17-						[CAMBIADO]:Break (Compact car-C Segment)			
1.4 MPI (G4LC)		Gasolina	FWD	1368	73	100	05.17-	*	
1.4 MPI		Gasolina	FWD	1368	74	101	03.17-12.20	*	
1.5 (G4LG)		Gasolina	FWD	1498	81	110	06.20-	*	
VELOSTER II (JS, JSN) 01.18-						Coupé (Supermini car-B Segment)			
1.4 T-GDI		Gasolina	FWD	1353	103	140	01.18-	*	

KIA

						[CAMBIADO]:Fastback (Compact car-C Segment)			
CEE'D III (CD) 03.18-									
1.4 (G4LC)		Gasolina	FWD	1368	73	99	03.18-12.20	*	
1.4 LPG (G4LC)		Gasol./Gas (LPG)	FWD	1368	71	97	12.18-12.20	*	
CEE'D III Sport Wagon (CD) 03.18-						[CAMBIADO]:Break (Compact car-C Segment)			
1.4 (G4LC)		Gasolina	FWD	1368	73	99	04.18-12.20	*	
1.4 LPG (G4LC)		Gasol./Gas (LPG)	FWD	1368	71	97	12.18-12.20	*	