

# LISTA DE APLICACIONES - BUYERS GUIDE

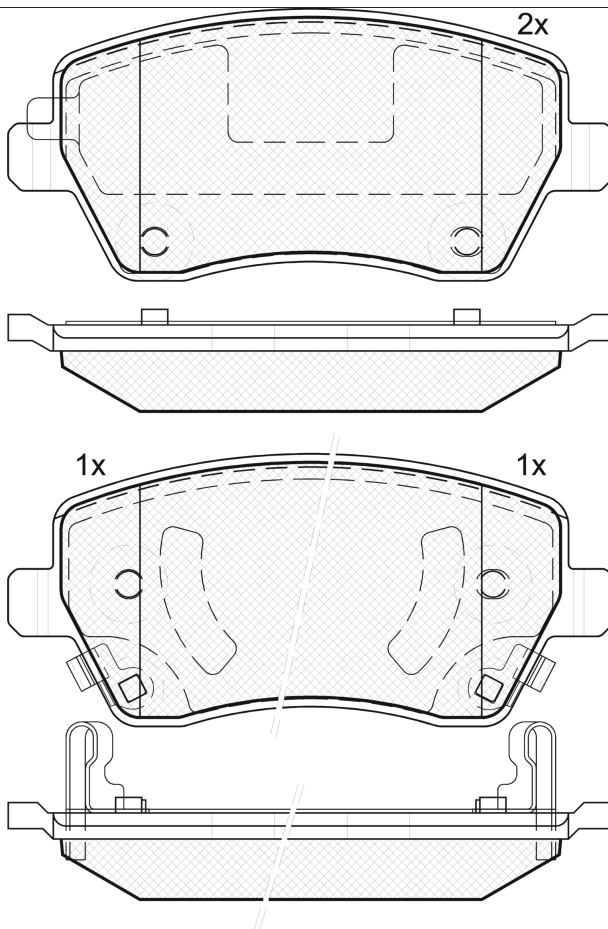
## RB2019



Qty: 300

Weight: 1.200

O.E.M.	MAKE
41 06 017 97R	DACIA
D1060-1HA0A	NISSAN
D1060-1HA0B	NISSAN
D1060-1HA0B-VA	NISSAN
D1060-1HA0C	NISSAN
D1060-1HA0E	NISSAN
D1060-1HA1A	NISSAN
D1060-1HA7B	NISSAN
D1060-1HA7C	NISSAN
D1060-1HD0A	NISSAN
D10FM-1HA0A	NISSAN
D1M60-1HA0	NISSAN
D1M60-1HA0B	NISSAN
D1M60-1HA0A	NISSAN
D1M60-1HA0B	NISSAN
D1M60-1HA0A	NISSAN
D1M60-1HD0A	NISSAN
D1N60-1HA0B	NISSAN



## RB2019

**E 9** 90R-01111/3097



Trw

116.4x52.4x17.3

WVA
23973
24403
25261

FMSI
D1858-9086

Sin Filas



Trac.	CC	Kw	CV
-------	----	----	----



Front / Rear

### NISSAN

#### ALMERA III (N17) 09.11-

					Sedán (Compact car-C Segment)			
1.5 i (HR15DE)		Gasolina	FWD	1498	79	107	08.12-	*

#### MICRA IV / MARCH (K13KK) 07.09-

					[CAMBIADO]:Fastback (Supermini car-B Segment)			
1.0		Gasolina	FWD	998	54	73	02.11-	*
1.0 Flex		Gasolina	FWD	998	55	75	10.11-	*
1.2 Active (HR12DE)		Gasolina	FWD	1198	50	68	07.13-	*
1.2 (HR12DE)		Gasolina	FWD	1198	56	76	05.10-10.20	*
1.2		Gasolina	FWD	1198	56	76	05.10-	*
1.2		Gasolina	FWD	1198	57	77	01.13-	*
1.2 (HR12DE)		Gasolina	FWD	1198	57	77	01.13-	*
1.2		Gasolina	FWD	1198	58	79	05.10-	*
1.2		Gasolina	FWD	1198	59	80	10.15-	*
1.2 (HR12DE)		Gasolina	FWD	1198	59	80	05.10-09.15	*
1.2 4WD		Gasolina	4WD	1198	59	80	05.10-	*
1.2 DIG-S		Gasolina	FWD	1198	72	98	03.11-	*
1.2 DIG-S (HR12DDR)		Gasolina	FWD	1198	72	98	03.11-10.15	*
1.2 DIG-S (HR12DR)		Gasolina	FWD	1198	72	98	03.11-10.15	*
1.5 (HR15DE)		Gasolina	FWD	1498	73	99	12.11-09.15	*
1.5		Gasolina	FWD	1498	74	101	01.11-09.15	*
1.5		Gasolina	FWD	1498	75	102	11.10-09.15	*
1.5 NISMO S		Gasolina	FWD	1498	85	116	06.13-12.16	*
1.6		Gasolina	FWD	1598	78	106	09.11-12.16	*
1.6 Flex		Gasolina	FWD	1598	82	112	10.11-	*

# LISTA DE APLICACIONES - BUYERS GUIDE

1.2 LPG (HR12DE)		Gasol./Gas (LPG)	FWD	1198	59	80	05.10-09.15	*
1.5 D		Diesel	RWD	1461	47	64	11.10-	*
1.5 D		Diesel	RWD	1461	73	99	01.11-	*
<b>MICRA V / MARCH (K14) 12.16-</b>					<b>[CAMBIADO]:Fastback (Supermini car-B Segment)</b>			
0.9 IG-T (H4B 408)		Gasolina	FWD	898	66	90	12.16-	*
0.9 IG-T (HR09DET)		Gasolina	FWD	898	66	90	12.16-	*
1.0 (B4D 410)		Gasolina	FWD	998	52	71	12.16-	*
1.0 (BR10DE)		Gasolina	FWD	998	52	71	12.16-	*
1.0 (B4D 410)		Gasolina	FWD	998	54	73	12.16-	*
1.0 (BR10DE)		Gasolina	FWD	998	54	73	12.16-	*
1.0 IG-T		Gasolina	FWD	999	68	92	01.21-	*
1.0 IG-T 100 (HR10DET)		Gasolina	FWD	999	74	101	12.18-	*
1.0 DIG-T 117 (HR10DDT)		Gasolina	FWD	999	86	117	02.19-	*
0.9 LPG (HR09DET)		Gasol./Gas (LPG)	FWD	898	64	87	03.19-	*
1.5 dCi (K9K 628)		Diesel	FWD	1461	66	90	12.16-	*
<b>NOTE II / VERSA NOTE (E12) 09.12-</b>					<b>MPV (Mini MPV-M1 Segment)</b>			
1.2 LPG (HR12DE)		LPG	FWD	1198	56	76	03.15-12.16	*
1.2 (HR12DE)		Gasolina	FWD	1198	58	79	08.12-	*
1.2 (HR12DE)		Gasolina	FWD	1198	59	80	08.12-12.16	*
1.2 4WD		Gasolina	4WD	1198	59	80	08.12-	*
1.2 DIG-S		Gasolina	FWD	1198	65	88	08.12-12.16	*
1.2 DIG-S (HR12DDR)		Gasolina	FWD	1198	72	98	08.12-	*
1.2 DIG-S (HR12DR)		Gasolina	FWD	1198	72	98	08.12-	*
1.6 NISMO S		Gasolina	FWD	1598	103	140	06.13-	*
1.5 dCi (K9K 608)		Diesel	FWD	1461	66	90	06.13-12.16	*
1.5 dCi (K9K 892)		Diesel	FWD	1461	66	90	06.13-12.16	*
<b>TIIDA / VERSA (C11) 05.04-12.14</b>					<b>[CAMBIADO]:Fastback (City car-A Segment)</b>			
1.6 (HR16DE)		Gasolina	FWD	1598	81	110	09.07-12.11	*
1.8 (JC11) (MR18DE)		Gasolina	FWD	1798	93	126	09.04-12.11	*
<b>TIIDA / VERSA (SC11) 05.04-02.14</b>					<b>Sedán (City car-A Segment)</b>			
1.8		Gasolina	FWD	1797	92	125	01.12-	*
1.8 Flex		Gasolina	FWD	1797	92	125	07.10-	*
<b>NISSAN (DFAC)</b>								
<b>MARCH (K13) 08.10-</b>					<b>[CAMBIADO]:Fastback (Supermini car-B Segment)</b>			
1.2		Gasolina	FWD	1198	54	73	01.14-	*
1.5		Gasolina	FWD	1498	79	107	08.10-	*